



## Z588E Z Master<sup>®</sup> With 60in TURBO FORCE<sup>®</sup> Side Discharge Mower

Model No. 74255 - 260000109 and up.

### Parts Catalog

---

#### Ordering Replacement Parts

To order replacement parts, please supply the part number, the quantity, and the description of each part desired.

#### Understanding Reference Numbers

Each Identified part in an illustration has a reference number. The reference number for a part also appears in the parts list, along with other information about the part.

This catalog uses two special reference number formats, one to indicate parts in a service assembly and another to indicate the quantity of a given part in an illustration.

#### Service Assembly Reference Numbers

Parts in service assemblies have reference numbers in the form a:b. The a represents the reference number of the entire service assembly and the b represents a sequential number unique to each part within the service assembly.

For example, a wheel assembly might be identified by reference number 6, the tire by 6:1, the valve by 6:2, and the wheel by 6:3. When you order the assembly identified by reference number 6, you receive all parts identified by reference numbers 6:1, 6:2, and 6:3. However, you may also order any part individually. Reference numbers of this type appear in illustrations and in part lists.

#### Reference Numbers Indicating Quantity

In an illustration, if a reference number indicates more than one part, the reference number has the form nX y. The n represents the quantity of the part, the X is the multiplication symbol, and the y represents the reference number.

For example, in an illustration, the reference number 2X 37 means that two of the parts identified by reference number 37 are indicated.

# Contents

| Description                                       | Page     | Description  | Page     |
|---|----------|--|----------|
| Front Frame Assembly                              | ..... 3  | Fuel Assembly  | ..... 25 |
| Castor and Wheel Assembly                         | ..... 5  | Electrical Assembly                                  | ..... 27 |
| Main Frame Assembly                               | ..... 6  | Crankshaft Assembly Kohler CH745-0012                | ..... 29 |
| Brake and Wheel Hub Assembly                      | ..... 7  | Crankcase Assembly Kohler CH745-0012                 | ..... 30 |
| Steering Control Assembly                         | ..... 8  | Oil Pan and Lubrication Assembly Kohler CH745-0012   | ..... 31 |
| Hydraulic System Assembly                         | ..... 9  | Head, Valve and Breather Assembly Kohler CH745-0012  | ..... 32 |
| Seat and Roll-Over-Protection-System Assembly     | ..... 11 | Ignition and Electrical Assembly Kohler CH745-0012   | ..... 33 |
| Deluxe Seat Assembly No. 110-0838                 | ..... 12 | Blower Housing and Baffle Assembly Kohler CH745-0012 | ..... 34 |
| Roll-Over-Protection-System Assembly No. 108-1097 | ..... 13 | Starting System Assembly Kohler CH745-0012           | ..... 35 |
| Deck Connection Assembly                          | ..... 14 | Fuel System Assembly Kohler CH745-0012               | ..... 36 |
| 60 Inch Deck Assembly                             | ..... 15 | Engine Control Assembly Kohler CH745-0012            | ..... 37 |
| Spindle Assembly No. 106-3217                     | ..... 17 | Air Intake and Filtration Assembly Kohler CH745-0012 | ..... 38 |
| Deck Decal Assembly No. 107-1624                  | ..... 18 | Exhaust Assembly Kohler CH745-0012                   | ..... 39 |
| Rubber Deflector Assembly No. 108-2792            | ..... 19 |  |          |
| Lever Assembly No. 107-1664                       | ..... 20 |  |          |
| Drive Idler Assembly                              | ..... 21 |  |          |
| Z-Stand Assembly                                  | ..... 22 |  |          |
| Engine and Clutch Assembly                        | ..... 23 |  |          |
| Muffler and Guard Assembly                        | ..... 24 |  |          |

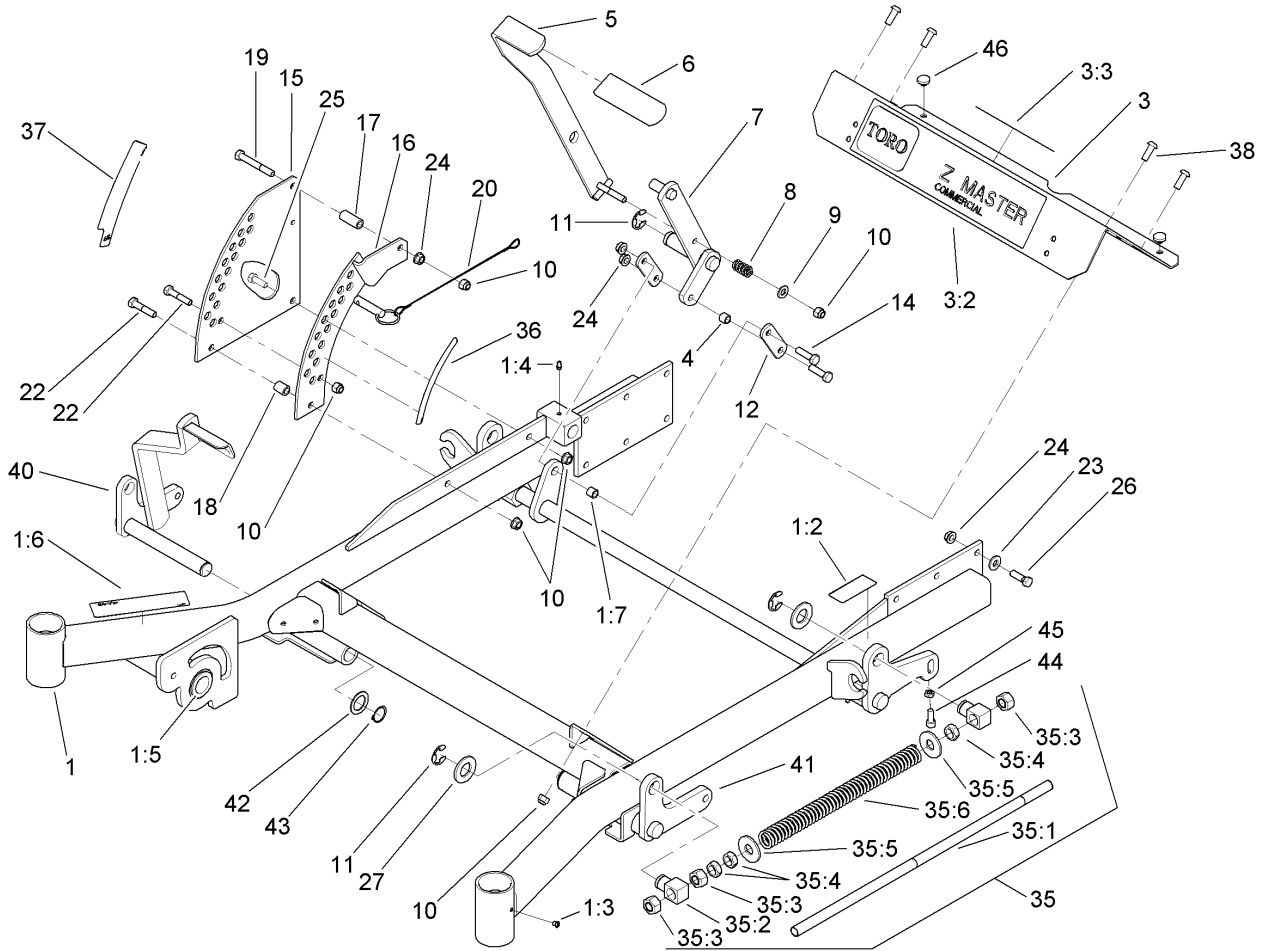
## Part Description Abbreviations

Part descriptions in this catalog may include the following abbreviations.

|  |  |
|--|--|
| AR. .... as required                       | INC. .... incorporated                       |
| ASM. .... assembly                         | LH. .... left hand                           |
| BBC. .... blade brake clutch               | NI. .... nylon insert                        |
| CARR. .... carriage                        | NPTF. .... national pipe thread fine         |
| DEG. .... degrees                          | PFH. .... phillips flat head                 |
| EXT. .... external                         | PPH. .... phillips pan head                  |
| FH. .... flat head                         | PPHTF. .... phillips pan head thread forming |
| GA. .... gauge                             | PRH. .... phillips round head                |
| HF. .... hex flange                        | PTH. .... phillips truss head                |
| HH. .... hex head                          | PTO. .... power-take-off                     |
| HHF. .... hex head flange                  | RH. .... right hand                          |
| HHFTF. .... hex head flange thread forming | ROPS. .... roll-over-protection-system       |
| HJ. .... hex jam                           | SFH. .... slotted fillister head             |
| HLH. .... hex lag head                     | SHH. .... slotted hex head                   |
| HOC. .... height-of-cut                    | SHWH. .... slotted hex washer head           |
| HSBH. .... hex socket button head          | SPH. .... slotted pan head                   |
| HSFH. .... hex socket flat head            | SQH. .... square head                        |
| HSH. .... hex socket head                  | SRH. .... slotted round head                 |
| HWH. .... hex washer head                  | STD. .... standard                           |
| HWHTF. .... hex washer head thread forming | TAP. .... self tapping                       |
| HYD. .... hydraulic                        | TTH. .... torx truss head                    |

## Footnotes

- ❶ Not illustrated
- ❷ Obtain from your local Kohler dealer
- ❸ Not serviced separately

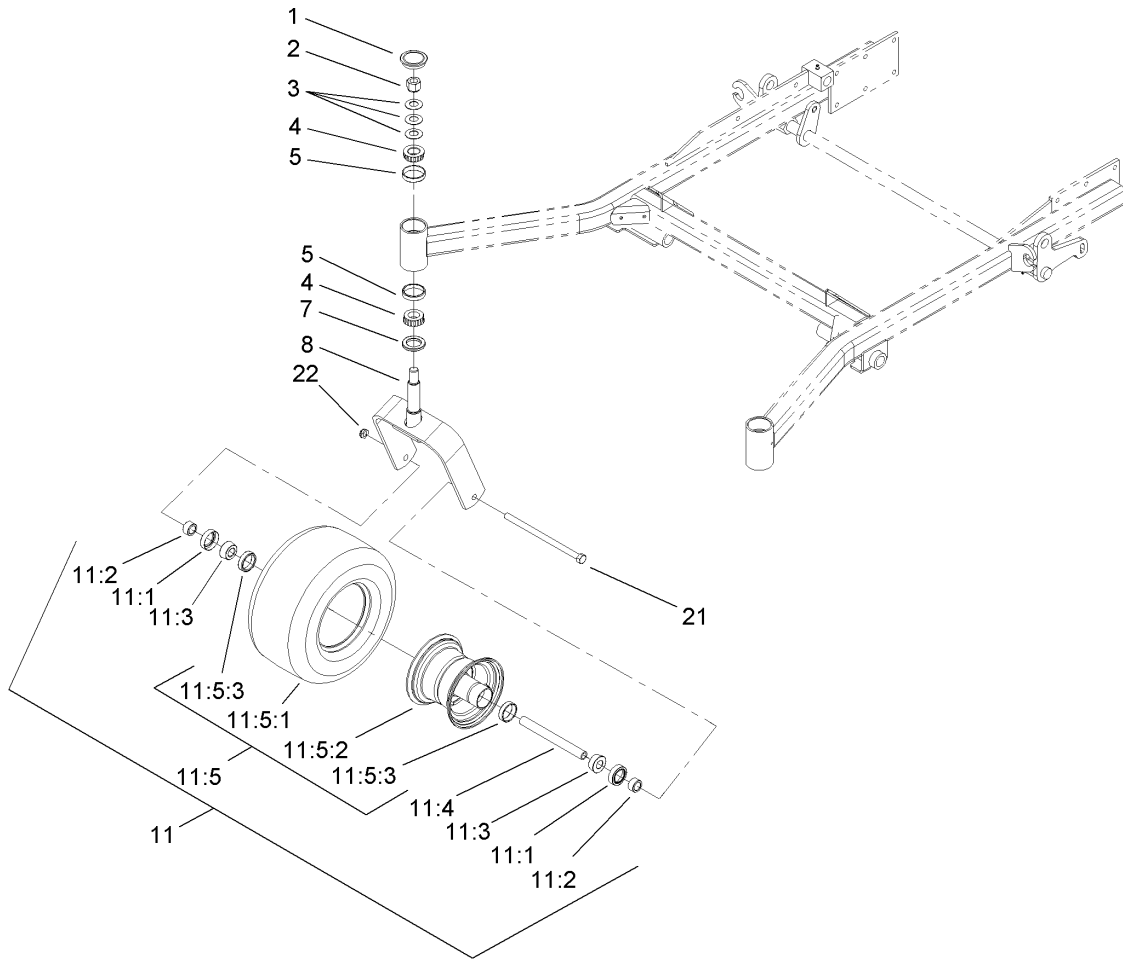


## Front Frame Assembly

| Ref | Part No.    | Qty. | Description          |
|-----|-------------|------|----------------------|
| 1   | 106-8998    | 1    | Frame ASM            |
| 1:2 | 107-1857    | 1    | Decal-Brake, Parking |
| 1:3 | 1-811010    | 2    | Plug                 |
| 1:4 | 302-19      | 5    | Fitting-Grease       |
| 1:5 | 94-1291     | 2    | Bushing              |
| 1:6 | 104-7759    | 1    | Decal-Warning        |
| 1:7 | 103-1918    | 1    | Bushing              |
| 3   | 106-9981    | 1    | Front Floorpan ASM   |
| 3:2 | 106-7451    | 1    | Decal                |
| 3:3 | 107-2112    | 1    | Decal-Warning        |
| 4   | 103-1918    | 1    | Bushing              |
| 5   | 103-2083-03 | 1    | Lift Lever ASM       |
| 6   | 1-633295    | 1    | Grip-Lever, Lift     |
| 7   | 103-2064-03 | 1    | Arm-Lift, Deck       |
| 8   | 1-633325    | 1    | Spring-Compression   |
| 9   | 3256-24     | 1    | Washer-Flat          |
| 10  | 3296-39     | 9    | Nut-Lock, NI         |
| 11  | 32151-103   | 5    | Ring-Snap            |
| 12  | 1-633068    | 2    | Arm-Lift, Deck       |
| 14  | 323-29      | 2    | Screw-HH             |
| 15  | 1-633889-01 | 1    | Plate-Lift, Deck     |
| 16  | 108-7759-01 | 1    | Plate-Lift, Deck     |
| 17  | 1-633082    | 1    | Bushing-Lever, Lift  |
| 18  | 1-633080    | 1    | Bushing-Lever, Lift  |

| Ref  | Part No.    | Qty. | Description             |
|------|-------------|------|-------------------------|
| 19   | 323-13      | 1    | Screw-HH                |
| 20   | 106-9951    | 1    | Hitch Pin ASM           |
| 22   | 323-9       | 2    | Screw-HH                |
| 23   | 98-5975     | 12   | Washer-Belleville       |
| 24   | 3290-357    | 15   | Nut-HHF, Whiz           |
| 25   | 323-6       | 1    | Screw-HH                |
| 26   | 323-7       | 12   | Screw-HH                |
| 27   | 3256-29     | 4    | Washer-Flat             |
| 35   |             | 2    | Front Frame Spring ASM  |
| 35:1 | 1-633096    | 1    | Rod-Lift, Deck          |
| 35:2 | 1-633441    | 2    | Swivel-Deck Mount, Rear |
| 35:3 | 3217-11     | 4    | Nut-Hex                 |
| 35:4 | 3218-6      | 2    | Nut-Jam                 |
| 35:5 | 3256-7      | 2    | Washer-Flat             |
| 35:6 | 1-633064    | 1    | Spring-Support, Deck    |
| 36   | 107-1861    | 1    | Decal-Height, Deck      |
| 37   | 107-1860    | 1    | Decal-Height, Deck      |
| 38   | 3274-94     | 4    | Screw-HSBH              |
| 40   | 108-7786-01 | 1    | RH Front Deck Lift ASM  |
| 41   | 106-8984-01 | 1    | LH Deck Lift ASM        |
| 42   | 1-523157    | 2    | Washer-Spacer, 14 GA    |
| 43   | 32151-29    | 2    | Ring-Retaining          |
| 44   | 3274-18     | 2    | Screw-HSH               |
| 45   | 3218-2      | 2    | Nut-Jam                 |

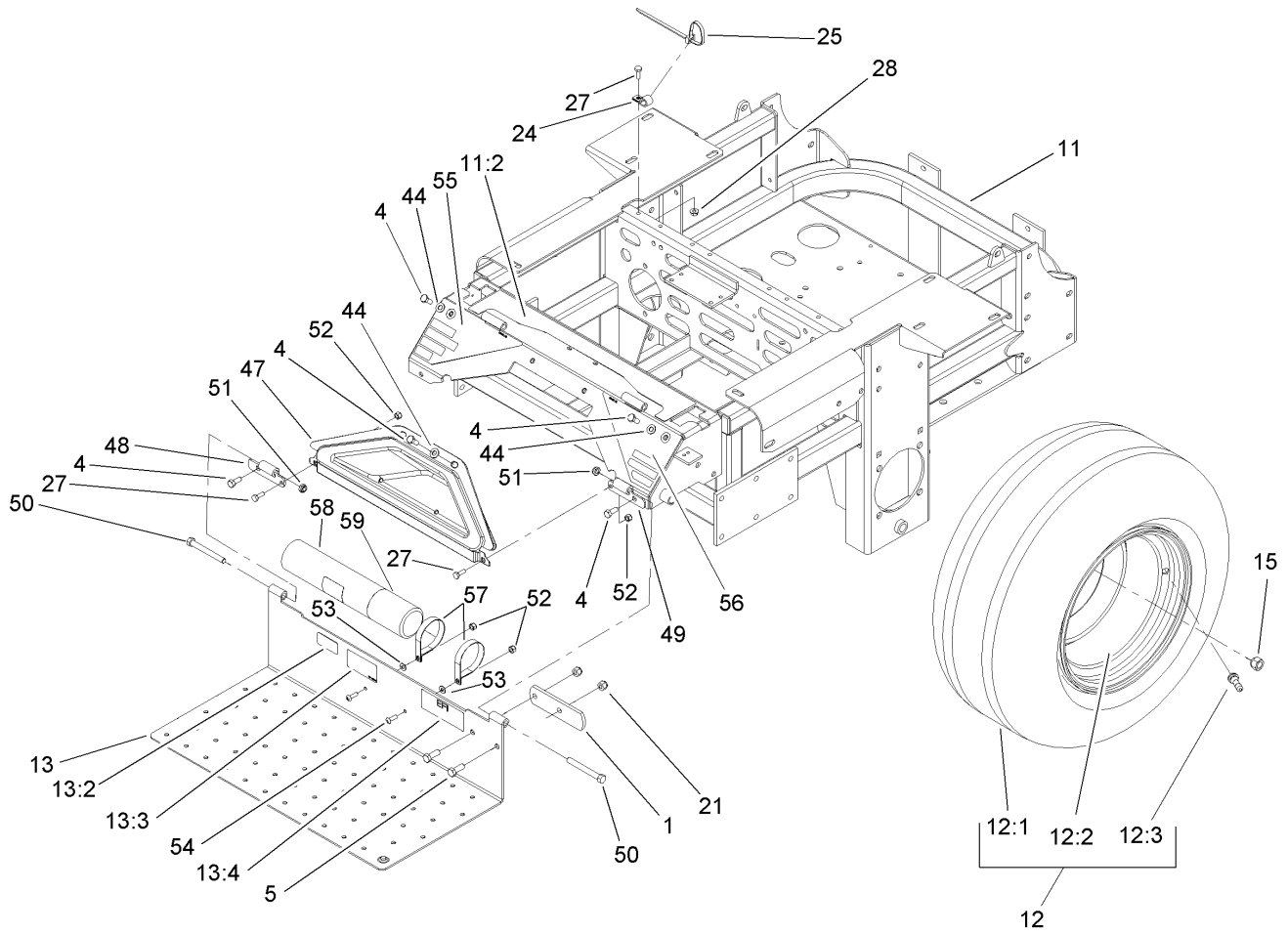




### Castor and Wheel Assembly

| Ref    | Part No.    | Qty. | Description           |
|--------|-------------|------|-----------------------|
| 1      | 103-4882    | 2    | Cap-Grease            |
| 2      | 3296-51     | 2    | Nut-Lock, NI          |
| 3      | 1-633508    | 6    | Washer-Bellville      |
| 4      | 254-94      | 4    | Bearing-Cone, Tapered |
| 5      | 254-72      | 4    | Bearing-Cup, Tapered  |
| 7      | 1-543511    | 2    | Seal-Grease           |
| 8      | 103-1474-01 | 2    | Fork-Caster           |
| 11     | 1-644251    | 2    | Caster Wheel ASM      |
| 11:1   | 1-633580    | 2    | Seal-Bearing          |
| 11:2   | 1-633581    | 2    | Spacer-Bearing        |
| 11:3   | 1-633585    | 2    | Bearing-Cone, Taper   |
| 11:4   | 1-633959    | 1    | Spacer-Caster, Front  |
| 11:5   |             | 1    | Wheel And Tire ASM    |
| 11:5:1 | 1-523009    | 1    | Tire                  |
| 11:5:2 | 1-633987    | 1    | Wheel                 |
| 11:5:3 | 1-633584    | 2    | Bearing-Cup           |
| 21     | 325-39      | 2    | Screw-HH              |
| 22     | 3296-23     | 2    | Nut-Lock, NI          |

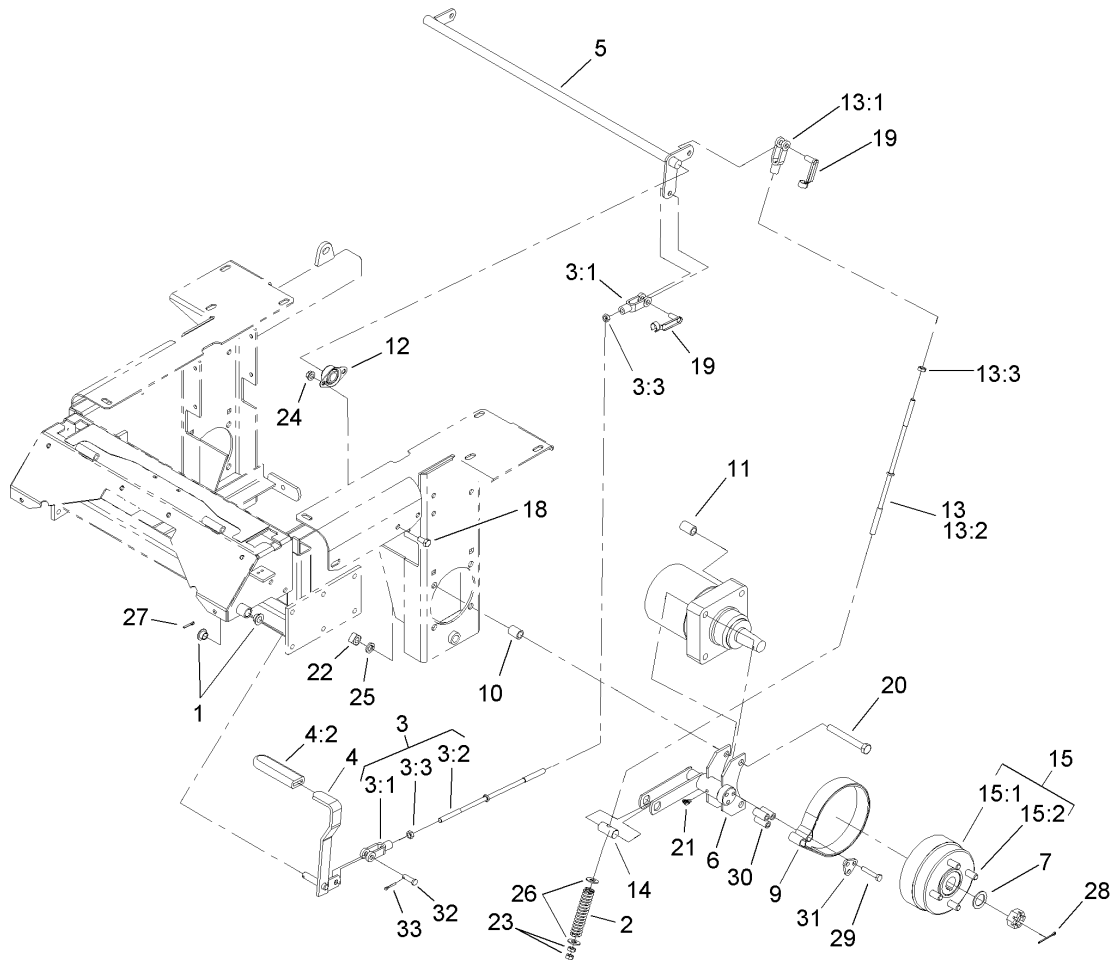
|  |  |  |  |
|--|--|--|--|
|  |  |  |  |
|  |  |  |  |
|  |  |  |  |
|  |  |  |  |



## Main Frame Assembly

| Ref  | Part No.    | Qty. | Description            |
|------|-------------|------|------------------------|
| 1    | 1-633964-03 | 1    | Stop-Brake, Park       |
| 4    | 322-43      | 6    | Screw-HH               |
| 5    | 323-6       | 2    | Screw-HH               |
| 11   | 108-1095    | 1    | Main Frame ASM         |
| 11:2 | 107-8076    | 1    | Decal-Console, Top     |
| 12   | 1-633970    | 2    | Wheel And Tire ASM     |
| 12:1 | 1-633993    | 1    | Tire                   |
| 12:2 | 1-633992    | 1    | Wheel                  |
| 12:3 | 232-27      | 1    | Stem-Valve             |
| 13   | 107-1859    | 1    | Floorpan               |
| 13:2 | 98-4387     | 1    | Decal-Protection, Ear  |
| 13:3 | 107-1864    | 1    | Decal-Location, Manual |
| 13:4 | 106-7486    | 1    | Decal-Efi              |
| 15   | 242-50      | 8    | Nut-Lug                |
| 21   | 3296-39     | 2    | Nut-Lock, NI           |
| 24   | 1-513762    | 1    | Clip-Loom              |
| 25   | 1-303335    | 1    | Tie-Plastic            |
| 27   | 321-4       | 3    | Screw-HH               |
| 28   | 32128-33    | 1    | Nut-HF                 |
| 44   | 3256-70     | 6    | Washer-Flat            |
| 47   | 106-7498    | 1    | Pocket                 |
| 48   | 106-7488-03 | 1    | Hinge-Floorpan, LH     |
| 49   | 106-7489-03 | 1    | Hinge-Floorpan, RH     |
| 50   | 323-20      | 2    | Screw-HH               |

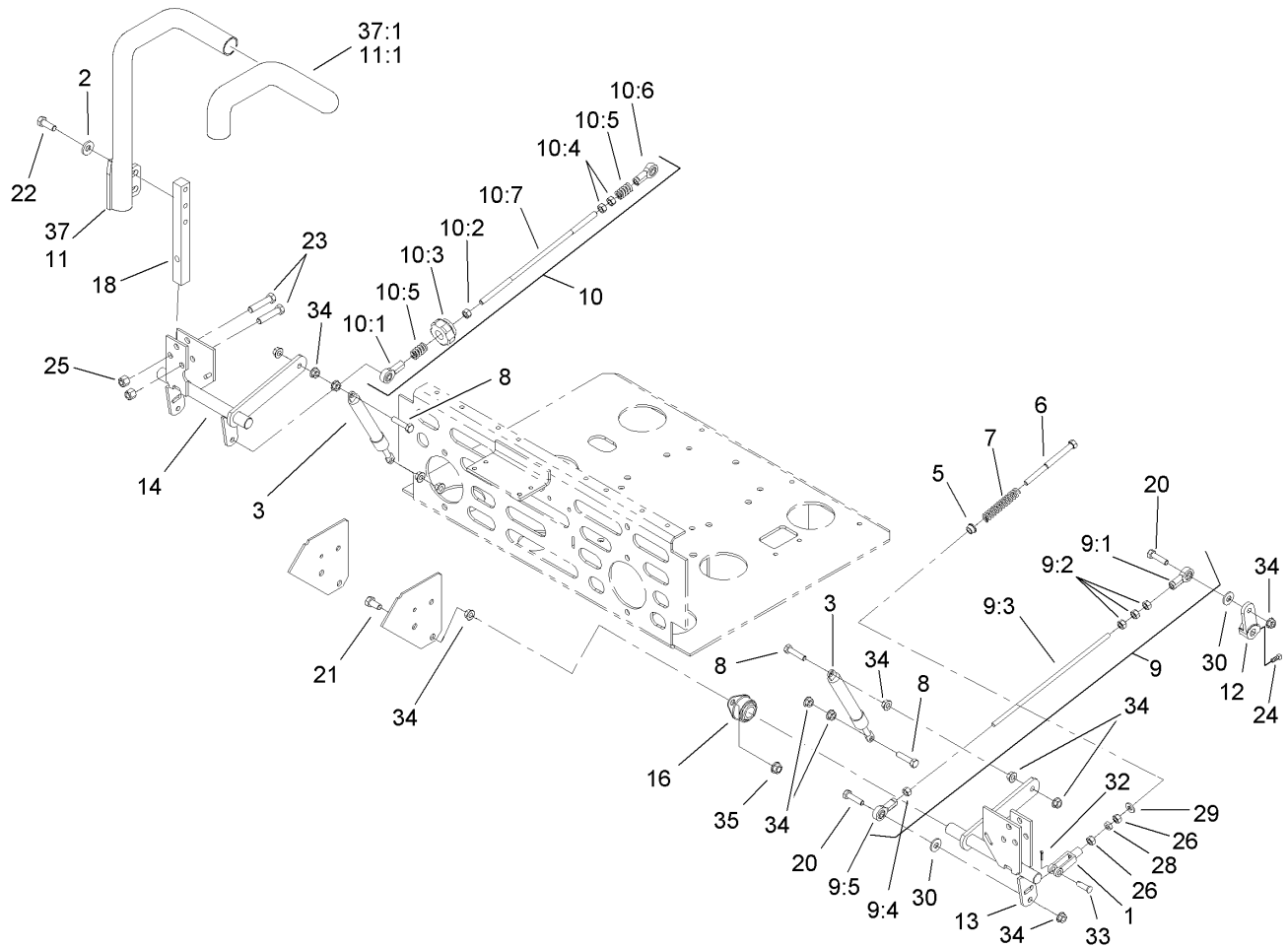
| Ref | Part No. | Qty. | Description    |
|-----|----------|------|----------------|
| 51  | 3296-59  | 2    | Nut-Lock, NI   |
| 52  | 3296-42  | 4    | Nut-Lock, NI   |
| 53  | 3256-63  | 2    | Washer-Flat    |
| 54  | 3258-166 | 2    | Screw-PRH      |
| 55  | 106-9989 | 1    | Decal-Warning  |
| 56  | 106-7492 | 1    | Decal-Danger   |
| 57  | 107-1865 | 2    | R-Clamp        |
| 58  | 104-7050 | 1    | Housing-Manual |
| 59  | 104-7048 | 1    | Cap-Housing    |



## Brake and Wheel Hub Assembly

| Ref  | Part No.    | Qty. | Description            |
|------|-------------|------|------------------------|
| 1    | 1-513140    | 2    | Bearing-Control        |
| 2    | 1-633454    | 2    | Spring-Brake           |
| 3    | 103-4332    | 1    | Brake Rod And Yoke ASM |
| 3:1  | 1-633131    | 2    | Yoke-Linkage, Brake    |
| 3:2  | 1-633477    | 1    | Rod-Brake              |
| 3:3  | 3219-3      | 2    | Nut-Hex                |
| 4    | 1-634500    | 1    | Brake Lever ASM        |
| 4:2  | 1-633268    | 1    | Grip-Lever, Brake      |
| 5    | 1-632217-03 | 1    | Shaft-Brake            |
| 6    | 103-0352-03 | 2    | Bracket-Brake          |
| 7    | 1-523157    | 2    | Washer-Spacer, 14 GA   |
| 9    | 103-0355    | 2    | Band-Brake             |
| 10   | 1-633380    | 4    | Spacer-Wheel, Short    |
| 11   | 1-633382    | 4    | Spacer-Wheel, Long     |
| 12   | 1-633102    | 2    | Bearing-Flange, Side   |
| 13   | 103-4333    | 2    | Brake Rod And Yoke ASM |
| 13:1 | 1-633131    | 1    | Yoke-Linkage, Brake    |
| 13:2 | 1-633477    | 1    | Rod-Brake              |
| 13:3 | 3219-3      | 1    | Nut-Hex                |
| 14   | 1-633144    | 2    | Pin-Trunion            |
| 15   | 103-0590    | 2    | Hub And Wheel ASM      |
| 15:1 | 103-0589    | 1    | Wheel Hub ASM          |
| 15:2 | 1-633926    | 4    | Stud-Wheel             |
| 18   | 323-4       | 4    | Screw-HH               |

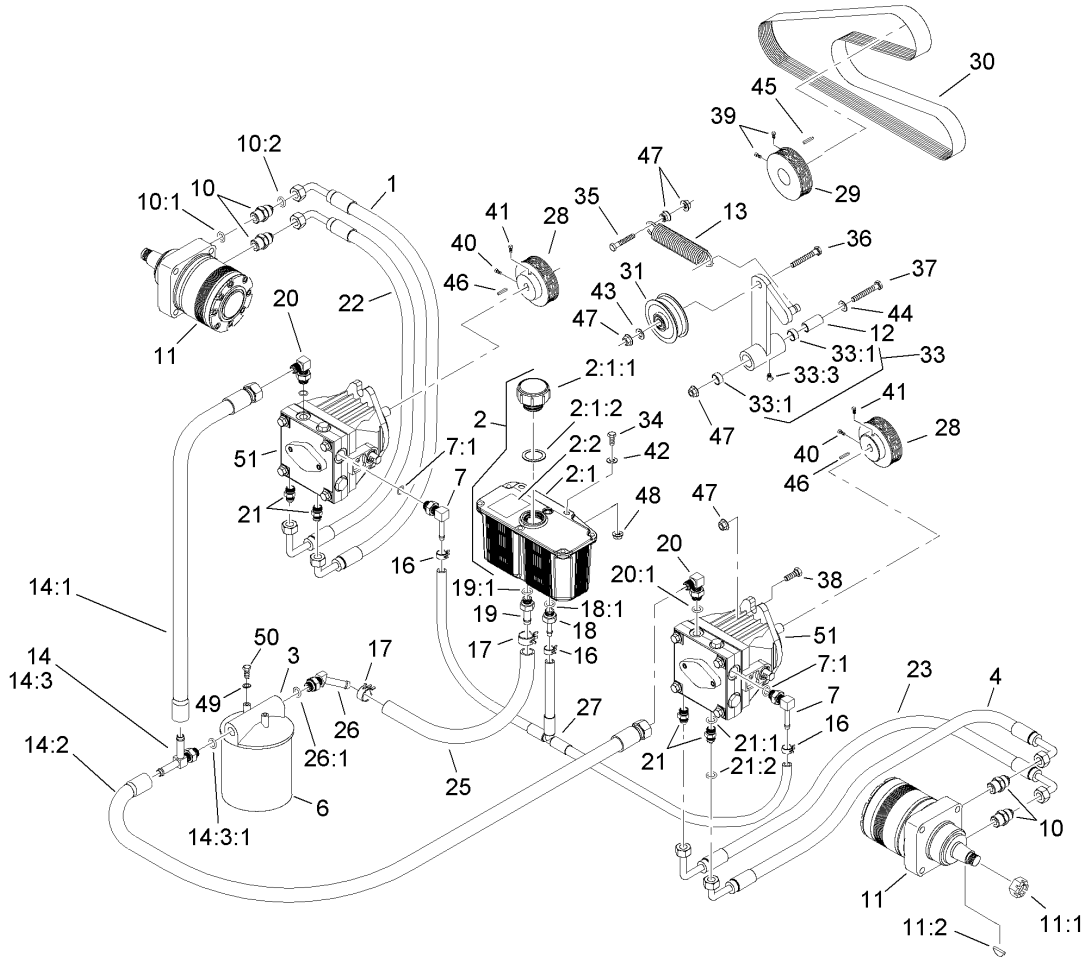
| Ref | Part No. | Qty. | Description          |
|-----|----------|------|----------------------|
| 19  | 103-2399 | 3    | Pin-Spring, Clevis   |
| 20  | 325-17   | 8    | Screw-HH             |
| 21  | 1481     | 2    | Fitting-Grease       |
| 22  | 103-0131 | 8    | Nut-Square           |
| 23  | 3219-3   | 4    | Nut-Hex              |
| 24  | 3290-357 | 4    | Nut-HHF, Whiz        |
| 25  | 3253-7   | 8    | Washer-Lock          |
| 26  | 3256-4   | 4    | Washer-Flat          |
| 27  | 3272-10  | 1    | Pin-Cotter           |
| 28  | 1-806800 | 2    | Pin-Cotter           |
| 29  | 322-9    | 6    | Screw-HH             |
| 30  | 103-0384 | 6    | Spacer               |
| 31  | 103-0374 | 2    | Retainer-Band, Brake |
| 32  | 1-808285 | 1    | Pin-Clevis           |
| 33  | 3272-10  | 1    | Pin-Cotter           |



## Steering Control Assembly

| Ref  | Part No. | Qty. | Description            |
|------|----------|------|------------------------|
| 1    | 1-303105 | 2    | Yoke-Adjustable        |
| 2    | 98-5975  | 4    | Washer-Belleville      |
| 3    | 103-4079 | 2    | Damper-Control, Motion |
| 5    | 1-603735 | 2    | Bushing-Flanged        |
| 6    | 1-603737 | 2    | Bolt-Return, Neutral   |
| 7    | 1-603807 | 2    | Spring-Return, Neutral |
| 8    | 1-403180 | 4    | Screw-HH               |
| 9    | 103-4331 | 1    | Tracking Rod ASM       |
| 9:1  | 1-543017 | 1    | Balljoint-RH           |
| 9:2  | 3219-2   | 3    | Nut-Hex                |
| 9:3  | 103-3064 | 1    | Link-Rod, Tracking     |
| 9:4  | 1-804524 | 1    | Nut                    |
| 9:5  | 1-633152 | 1    | Balljoint-Thread, LH   |
| 10   | 103-4330 | 1    | Tracking Rod ASM       |
| 10:1 | 1-543017 | 1    | Balljoint-RH           |
| 10:2 | 3219-2   | 1    | Nut-Hex                |
| 10:3 | 103-3060 | 1    | Knob-Tracking          |
| 10:4 | 1-804524 | 2    | Nut                    |
| 10:5 | 1-323245 | 2    | Spring-Compression     |
| 10:6 | 1-633152 | 1    | Balljoint-Thread, LH   |
| 10:7 | 103-3064 | 1    | Link-Rod, Tracking     |
| 11   | 108-7238 | 1    | LH Lever ASM           |
| 11:1 | 106-9987 | 1    | Grip-Control, Motion   |
| 12   | 1-632208 | 2    | Arm-Control, Pump      |

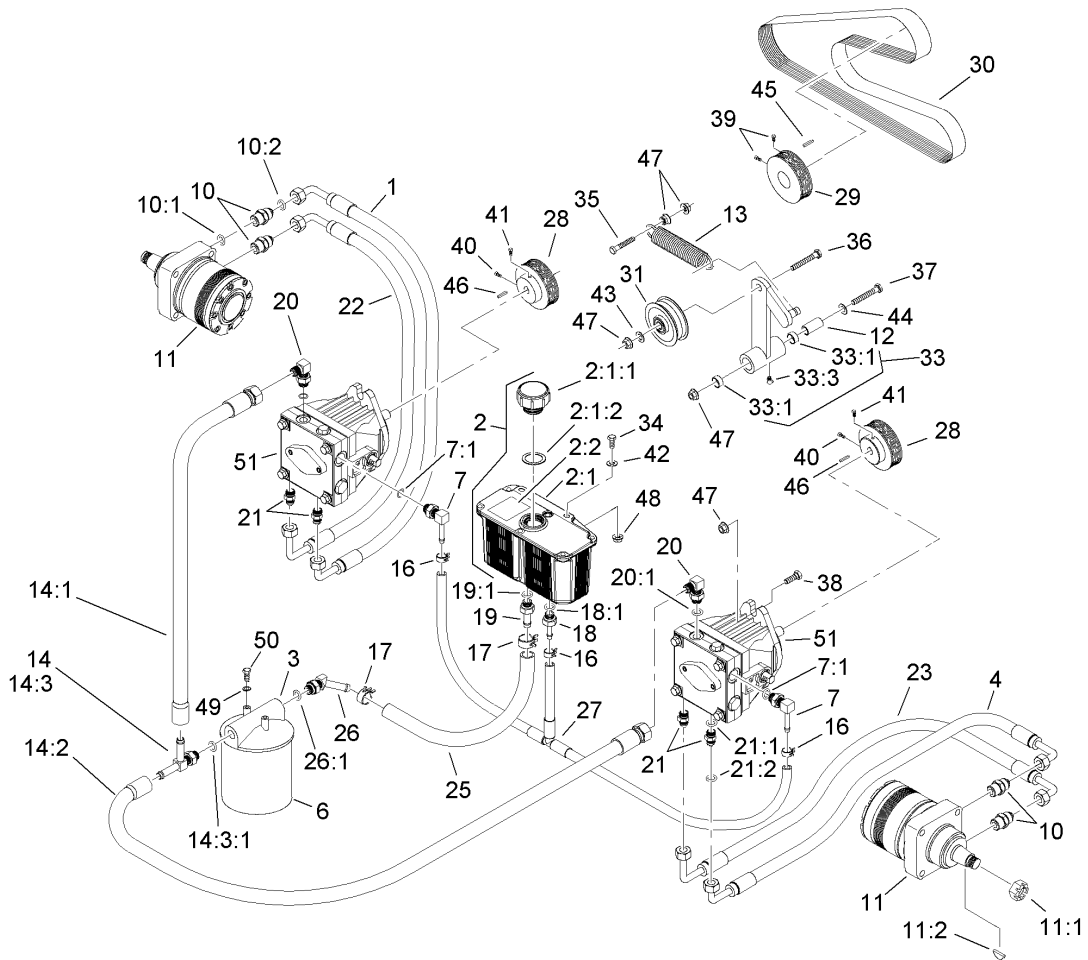
| Ref  | Part No. | Qty. | Description          |
|------|----------|------|----------------------|
| 13   | 103-4781 | 1    | Control-Motion, LH   |
| 14   | 103-4782 | 1    | Control-Motion, RH   |
| 16   | 1-633102 | 4    | Bearing-Flange, Side |
| 18   | 103-0407 | 2    | Arm-Shaft, Control   |
| 20   | 322-6    | 4    | Screw-HH             |
| 21   | 323-4    | 8    | Screw-HH             |
| 22   | 323-6    | 4    | Screw-HH             |
| 23   | 323-9    | 6    | Screw-HH             |
| 24   | 1-803022 | 2    | Screw-Set            |
| 25   | 3296-39  | 6    | Nut-Lock, NI         |
| 26   | 3219-2   | 4    | Nut-Hex              |
| 28   | 3220-2   | 2    | Nut-Jam              |
| 29   | 3256-2   | 2    | Washer-Flat          |
| 30   | 3256-3   | 4    | Washer-Flat          |
| 32   | 3272-5   | 2    | Pin-Cotter           |
| 33   | 1-808280 | 2    | Pin-Clevis           |
| 34   | 32128-20 | 16   | Nut-HF               |
| 35   | 3290-357 | 8    | Nut-HHF, Whiz        |
| 37   | 108-7237 | 1    | RH Lever ASM         |
| 37:1 | 106-9987 | 1    | Grip-Control, Motion |



## Hydraulic System Assembly

| Ref   | Part No. | Qty. | Description          |
|-------|----------|------|----------------------|
| 1     | 103-3736 | 1    | HYD Hose ASM         |
| 2     | 103-1947 | 1    | HYD Reservoir ASM    |
| 2:1   |          | 1    | Reservoir-HYD        |
| 2:1:1 | 103-1948 | 1    | Cap-Reservoir, HYD   |
| 2:1:2 | 103-1949 | 1    | Gasket-Cap           |
| 2:2   | 1-523552 | 1    | Decal-Tank, HYD      |
| 3     | 104-7836 | 1    | Head-Filter          |
| 4     | 103-3733 | 1    | HYD Hose ASM         |
| 6     | 1-633750 | 1    | Filter-HYD           |
| 6     | 1-633752 | 1    | Filter-HYD, Winter   |
| 7     | 103-1799 | 2    | Elbow-90 DEG         |
| 7:1   | 237-42   | 1    | O-Ring               |
| 10    | 1-603991 | 4    | Fitting-Straight     |
| 10:1  | 237-80   | 1    | O-Ring               |
| 10:2  | 1-603992 | 1    | O-Ring               |
| 11    | 103-6988 | 2    | Motor-Wheel          |
| 11:1  | 1-809036 | 1    | Nut-HH               |
| 11:2  | 3257-42  | 1    | Key-Woodruff         |
| 11:99 | 1-000099 | 1    | Seal Kit             |
| 11:99 | 1-000139 | 1    | Bearing Kit          |
| 11:99 | 103-2748 | 1    | Drive Link Kit       |
| 12    | 1-603384 | 1    | Bushing-Pivot, Idler |
| 13    | 103-3330 | 1    | Spring-Extension     |
| 14    | 109-1936 | 1    | Pump Inlet Hose ASM  |

| Ref    | Part No. | Qty. | Description         |
|--------|----------|------|---------------------|
| 14:1   | 103-1826 | 1    | HYD Hose ASM        |
| 14:2   | 103-1827 | 1    | HYD Hose ASM        |
| 14:3   | 103-1828 | 1    | Adapter-Run, Tee    |
| 14:3:1 | 237-42   | 1    | O-Ring              |
| 16     | 103-1716 | 3    | Clamp-Hose          |
| 17     | 103-1988 | 2    | Clamp-Hose          |
| 18     | 103-1801 | 1    | Adapter-Straight    |
| 18:1   | 237-42   | 1    | O-Ring              |
| 19     | 103-1912 | 1    | Adapter-Straight    |
| 19:1   | 237-42   | 1    | O-Ring              |
| 20     | 103-1802 | 2    | Fitting-HYD, 90 DEG |
| 20:1   | 1-603921 | 1    | O-Ring              |
| 21     | 1-603990 | 4    | Fitting-Straight    |
| 21:1   | 1-603920 | 1    | O-Ring              |
| 21:2   | 1-603992 | 1    | O-Ring              |
| 22     | 103-3737 | 1    | HYD Hose ASM        |
| 23     | 103-3735 | 1    | HYD Hose ASM        |
| 25     | 103-1808 | 1    | Hose-HYD            |
| 26     | 103-1807 | 1    | Elbow-45 DEG        |
| 26:1   | 237-42   | 1    | O-Ring              |
| 27     | 103-1806 | 1    | HYD Hose ASM        |
| 28     | 103-6907 | 2    | Sheave              |
| 29     | 1-633567 | 1    | Sheave              |
| 30     | 103-7445 | 1    | Belt-V              |

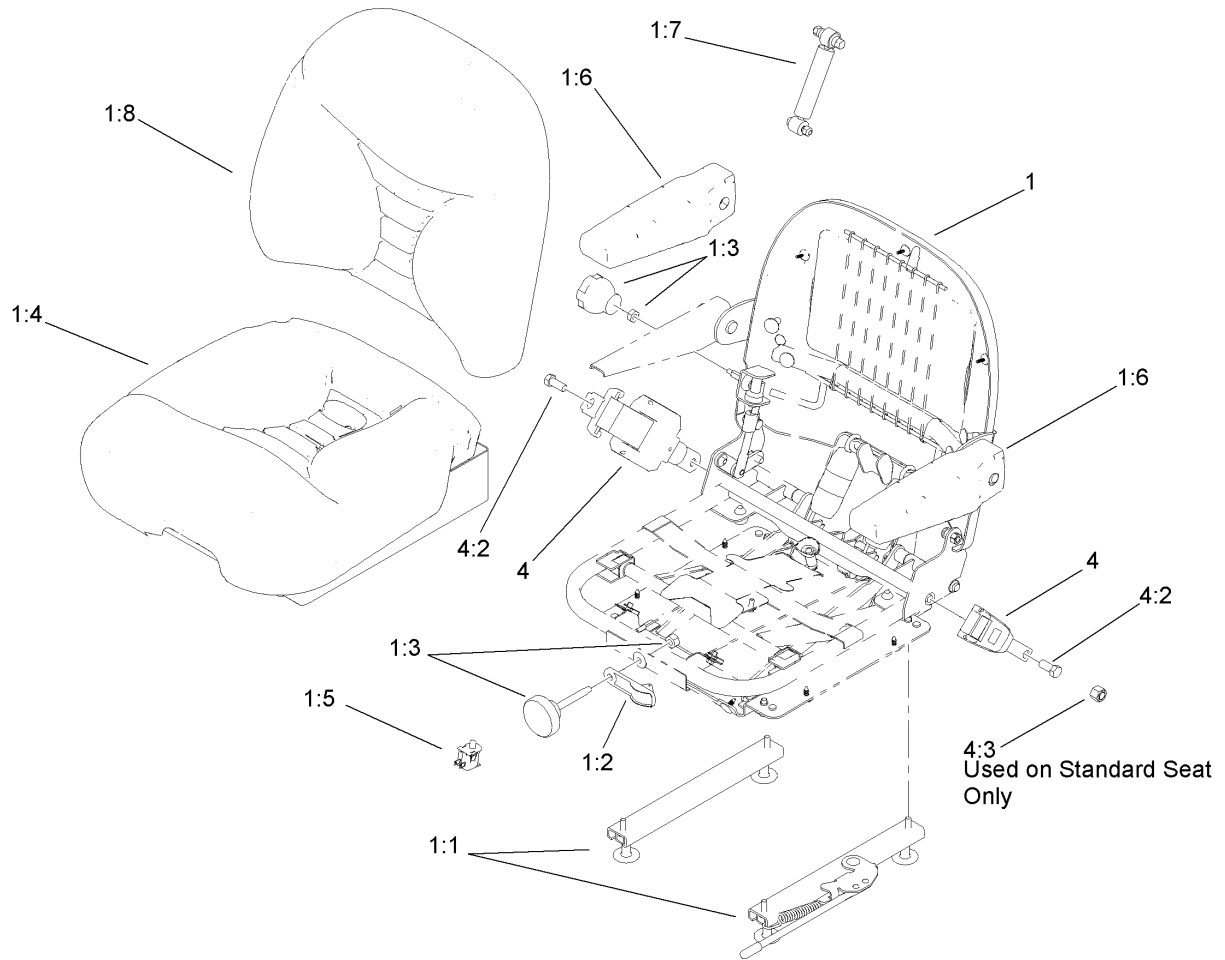


## Hydraulic System Assembly (continued)

| Ref   | Part No. | Qty. | Description          |
|-------|----------|------|----------------------|
| 31    | 1-633167 | 1    | Sheave-Idler         |
| 33    | 1-634277 | 1    | Bearing Arm ASM      |
| 33:1  | 1-513034 | 2    | Sleeve-Bearing       |
| 33:3  | 302-40   | 1    | Fitting-Grease       |
| 34    | 321-6    | 2    | Screw-HH             |
| 35    | 323-8    | 1    | Screw-HH             |
| 36    | 323-9    | 1    | Screw-HH             |
| 37    | 1-800805 | 1    | Screw-HH             |
| 38    | 323-7    | 4    | Screw-HH             |
| 39    | 1-803022 | 2    | Screw-Set            |
| 40    | 30-1710  | 2    | Screw                |
| 41    | 1-803050 | 2    | Screw-Set            |
| 42    | 3256-22  | 2    | Washer-Flat          |
| 43    | 3256-3   | 1    | Washer-Flat          |
| 44    | 3256-4   | 1    | Washer-Flat          |
| 45    | 13-2840  | 1    | Key-Square           |
| 46    | 5-1077   | 2    | Key-Square           |
| 47    | 3290-357 | 8    | Nut-HHF, Whiz        |
| 48    | 32128-33 | 2    | Nut-HF               |
| 49    | 1-805004 | 2    | Washer-Lock          |
| 50    | 321-3    | 2    | Screw-HH             |
| 51    | 103-7262 | 2    | Pump-HYD             |
| ●51:1 | 103-7441 | 1    | Bearing-Shaft, Input |
| ●51:2 | 103-7443 | 1    | Cylinder Block Kit   |

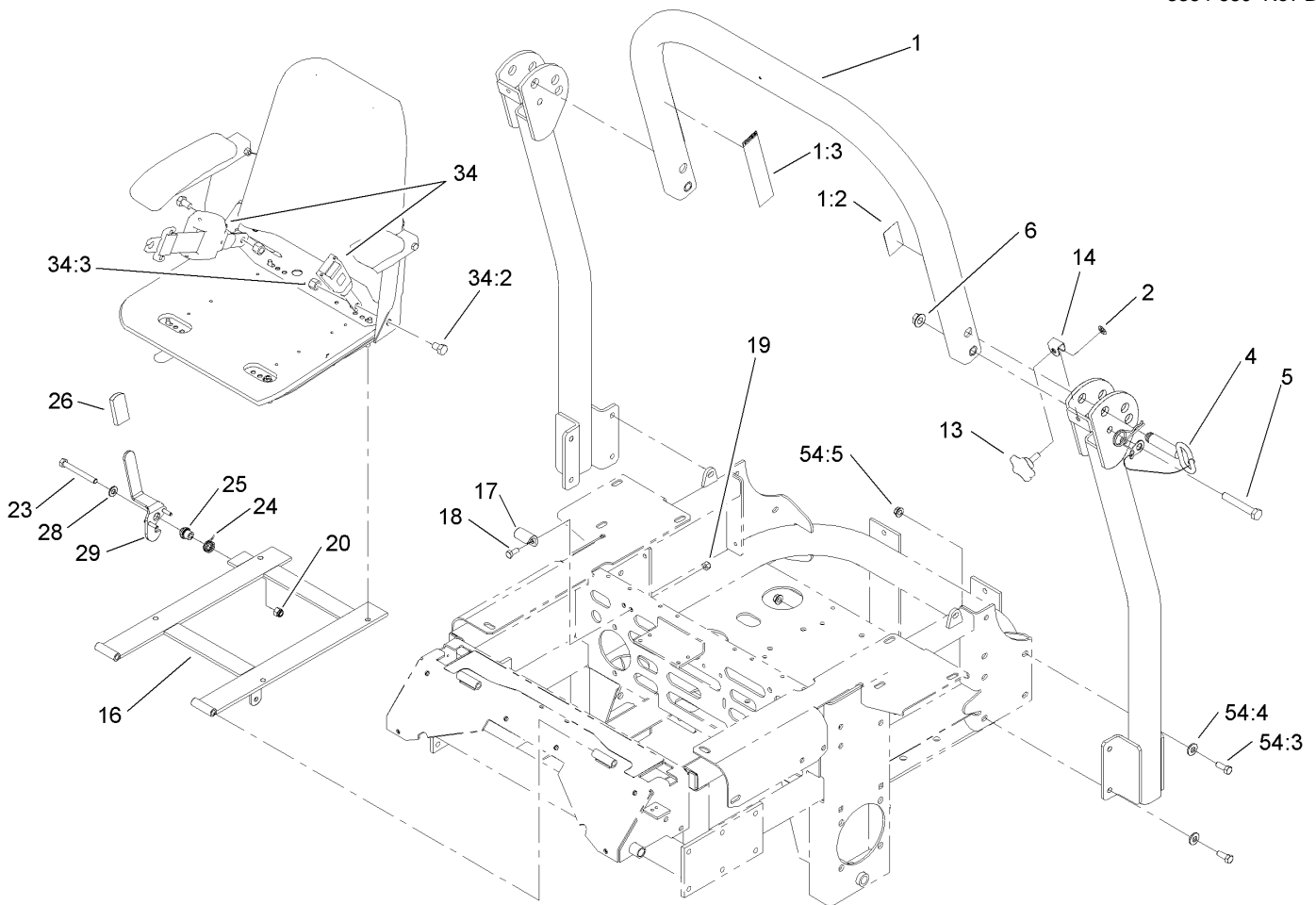
| Ref   | Part No. | Qty. | Description        |
|-------|----------|------|--------------------|
| ●51:3 | 103-8448 | 1    | Thrust Bearing Kit |
| ●51:4 | 105-6184 | 1    | Overhaul Seal Kit  |
| ●51:5 | 103-2741 | 1    | Shock Valve Kit    |





## Deluxe Seat Assembly No. 110-0838

| Ref | Part No. | Qty. | Description              |
|-----|----------|------|--------------------------|
| 1   |          | 1    | Seat ASM                 |
| 1:1 | 107-1880 | 1    | Seat Track Kit           |
| 1:2 | 107-1885 | 1    | Weight Indicator Kit     |
| 1:3 | 107-1881 | 1    | Knob Kit                 |
| 1:4 | 107-1883 | 1    | Bottom Cushion Kit       |
| 1:5 | 107-1886 | 1    | Switch Kit               |
| 1:6 | 107-1887 | 1    | Armrest Kit              |
| 1:7 | 107-1884 | 1    | Shock Absorber Kit       |
| 1:8 | 107-1882 | 1    | Back Cushion Kit         |
| 4   | 110-0883 | 1    | Retractable Seatbelt Kit |
| 4:2 | 3212-4   | 2    | Screw-HH                 |
| 4:3 | 3296-7   | 2    | Nut-Lock                 |

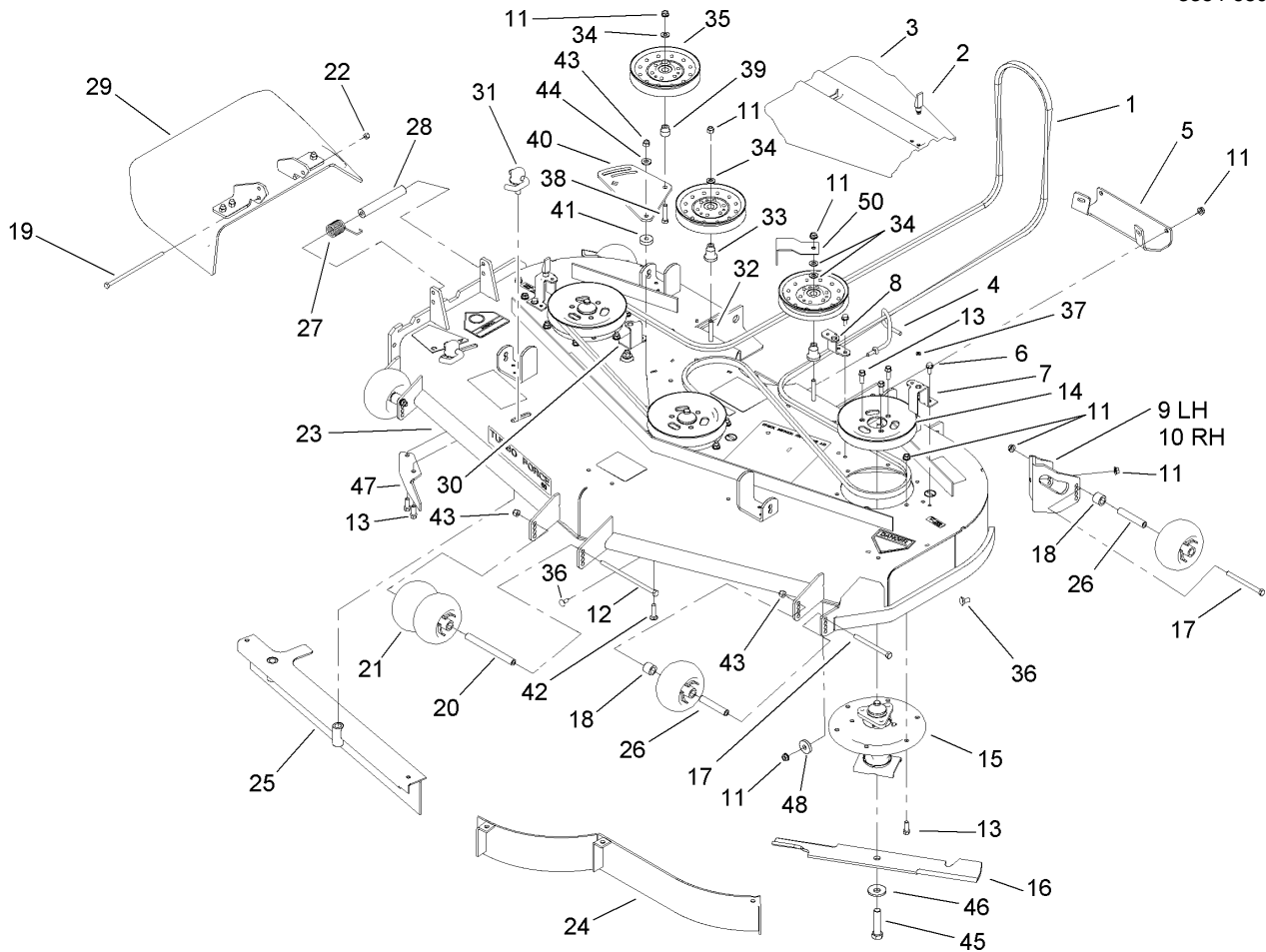


## Roll-Over-Protection-System Assembly No. 108-1097

| Ref  | Part No.    | Qty. | Description                 |
|------|-------------|------|-----------------------------|
| 1    |             | 1    | Upper Tube ASM              |
| 1:2  | 107-2101    | 1    | Decal-ROPS                  |
| 1:3  | 107-2102    | 1    | Decal-Warning, Folding ROPS |
| 2    | 107-3154    | 2    | Nut-Push                    |
| 4    | 103-4553    | 2    | ROPS Fold Pin ASM           |
| 5    | 325-13      | 2    | Screw-HH                    |
| 6    | 32128-23    | 2    | Nut-HF                      |
| 13   | 106-0887    | 2    | Knob                        |
| 14   | 107-3124    | 2    | Clip                        |
| 16   | 107-3052-03 | 1    | Seat Support Frame ASM      |
| 17   | 107-3058    | 1    | Catch-Latch, Seat           |
| 18   | 322-3       | 2    | Screw-HH                    |
| 19   | 3296-29     | 2    | Nut-Lock, NI                |
| 20   | 3296-39     | 1    | Nut-Lock, NI                |
| 23   | 323-20      | 1    | Screw-HH                    |
| 24   | 107-0076    | 1    | Spring-Torsion              |
| 25   | 107-0075    | 1    | Bushing-Latch, Seat         |
| 26   | 103-4434    | 1    | Grip-Lever                  |
| 28   | 3256-24     | 1    | Washer-Flat                 |
| 29   | 107-3083    | 1    | Latch ASM                   |
| 34   | 110-0883    | 1    | Retractable Seatbelt Kit    |
| 34:2 | 3212-4      | 2    | Screw-HH                    |
| 34:3 | 3296-7      | 2    | Nut-Lock                    |
| 54   |             | 1    | Bag-Bolt, ROPS              |

| Ref  | Part No. | Qty. | Description       |
|------|----------|------|-------------------|
| 54:3 | 323-6    | 8    | Screw-HH          |
| 54:4 | 98-5975  | 8    | Washer-Belleville |
| 54:5 | 3290-357 | 8    | Nut-HHF, Whiz     |



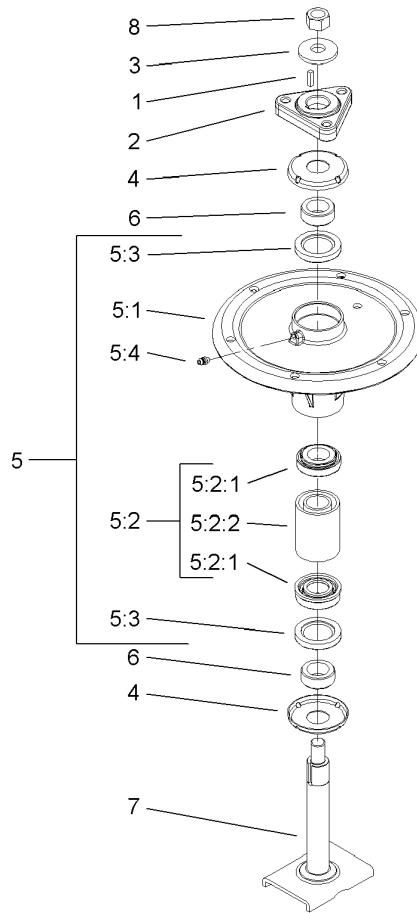


## 60 Inch Deck Assembly

| Ref | Part No.    | Qty. | Description         |
|-----|-------------|------|---------------------|
| 1   | 105-8783    | 1    | Belt                |
| 2   | 74-5950     | 2    | Latch-Swell         |
| 3   | 107-8536    | 2    | Cover-Belt          |
| 4   | 106-3220    | 1    | Guide-Belt          |
| 5   | 105-8792-01 | 1    | Plate-Skid          |
| 6   | 32144-70    | 4    | Screw-HH            |
| 7   | 108-4121-01 | 2    | Bracket-Cover       |
| 8   | 108-2177-01 | 1    | Bracket-Cover, Tall |
| 9   | 106-7354-01 | 1    | Plate-Roller, LH    |
| 10  | 106-7355-01 | 1    | Plate-Roller, RH    |
| 11  | 3290-357    | 38   | Nut-HHF, Whiz       |
| 12  | 323-28      | 1    | Screw-HH            |
| 13  | 92-1624     | 33   | Screw               |
| 14  | 105-7734    | 3    | Pulley              |
| 15  | 106-3217    | 3    | Spindle ASM         |
| 16  | 105-7718-03 | 3    | Blade-Hi Flow       |
| 17  | 323-23      | 4    | Screw-HH            |
| 18  | 98-7913     | 4    | Tube-Spacer         |
| 19  | 322-50      | 1    | Screw-HH            |
| 20  | 98-5967     | 1    | Spacer-Wheel        |
| 21  | 1-603299    | 6    | Roller-Scalp, Anti  |
| 22  | 3296-29     | 1    | Nut-Lock, NI        |
| 23  | 107-1624    | 1    | Deck ASM            |
| 24  | 105-7657-01 | 1    | Baffle ASM          |

| Ref | Part No.    | Qty. | Description              |
|-----|-------------|------|--------------------------|
| 25  | 105-7669-01 | 1    | Baffle ASM               |
| 26  | 98-7912     | 4    | Tube-Spanner             |
| 27  | 108-4052    | 1    | Spring-Torsion           |
| 28  | 105-4622    | 1    | Spacer                   |
| 29  | 108-2792    | 1    | Rubber Deflector ASM     |
| 30  | 108-4122-01 | 1    | Bracket-Cover            |
| 31  | 107-1664    | 2    | Lever ASM                |
| 32  | 323-12      | 2    | Screw-HH                 |
| 33  | 106-3214    | 2    | Mount-Pulley             |
| 34  | 3256-24     | 4    | Washer-Flat              |
| 35  | 1-633109    | 3    | Idler-Flat               |
| 36  | 3231-1      | 10   | Screw-CARR               |
| 37  | 99-3058     | 2    | Washer                   |
| 38  | 323-9       | 1    | Screw-HH                 |
| 39  | 1-603496    | 1    | Bushing-Idler            |
| 40  | 105-7787-01 | 1    | Plate-Idler              |
| 41  | 105-7788    | 2    | Spacer                   |
| 42  | 3231-4      | 2    | Screw-CARR               |
| 43  | 3296-39     | 7    | Nut-Lock, NI             |
| 44  | 98-5975     | 1    | Washer-Belleveille       |
| 45  | 103-0862    | 3    | Screw-Cap                |
| 46  | 103-0865    | 3    | Washer-Blade Bolt, Heavy |
| 47  | 106-3216-01 | 1    | Baffle-Discharge         |
| 48  | 112843      | 1    | Washer                   |

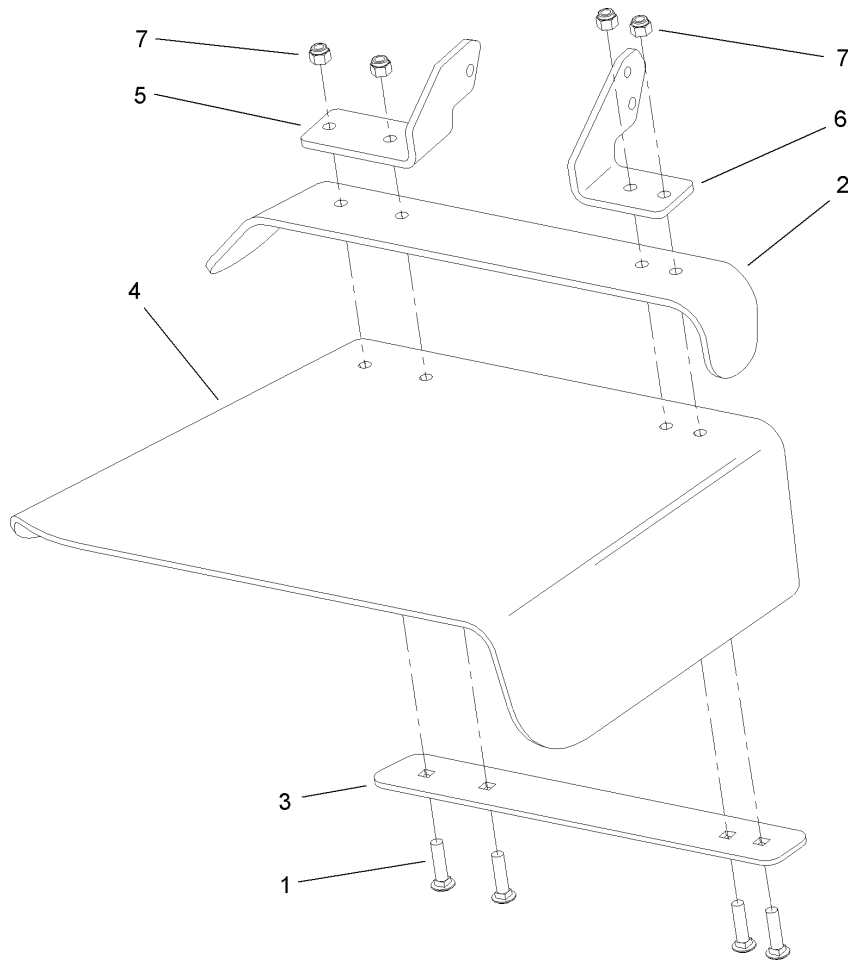




## Spindle Assembly No. 106-3217

| Ref   | Part No. | Qty. | Description              |  |  |  |
|-------|----------|------|--------------------------|--|--|--|
| 1     | 10-8040  | 1    | Key-Square               |  |  |  |
| 2     | 106-3277 | 1    | Hub-Pulley               |  |  |  |
| 3     | 103-0865 | 1    | Washer-Blade Bolt, Heavy |  |  |  |
| 4     | 106-3204 | 2    | Shield-Bearing           |  |  |  |
| 5     |          | 1    | Spindle Bearing ASM      |  |  |  |
| 5:1   | 106-3211 | 1    | Housing-Spindle          |  |  |  |
| 5:2   | 106-3207 | 1    | Bearing ASM              |  |  |  |
| 5:2:1 | 27-0960  | 1    | Bearing ASM              |  |  |  |
| 5:2:2 | 106-3206 | 1    | Spacer-Set, Matched      |  |  |  |
| 5:3   | 253-133  | 2    | Seal-Oil                 |  |  |  |
| 5:4   | 302-5    | 1    | Fitting-Grease           |  |  |  |
| 6     | 106-3218 | 2    | Spacer-Seal              |  |  |  |
| 7     | 106-3233 | 1    | Spindle Shaft ASM        |  |  |  |
| 8     | 3219-6   | 1    | Nut-Hex                  |  |  |  |

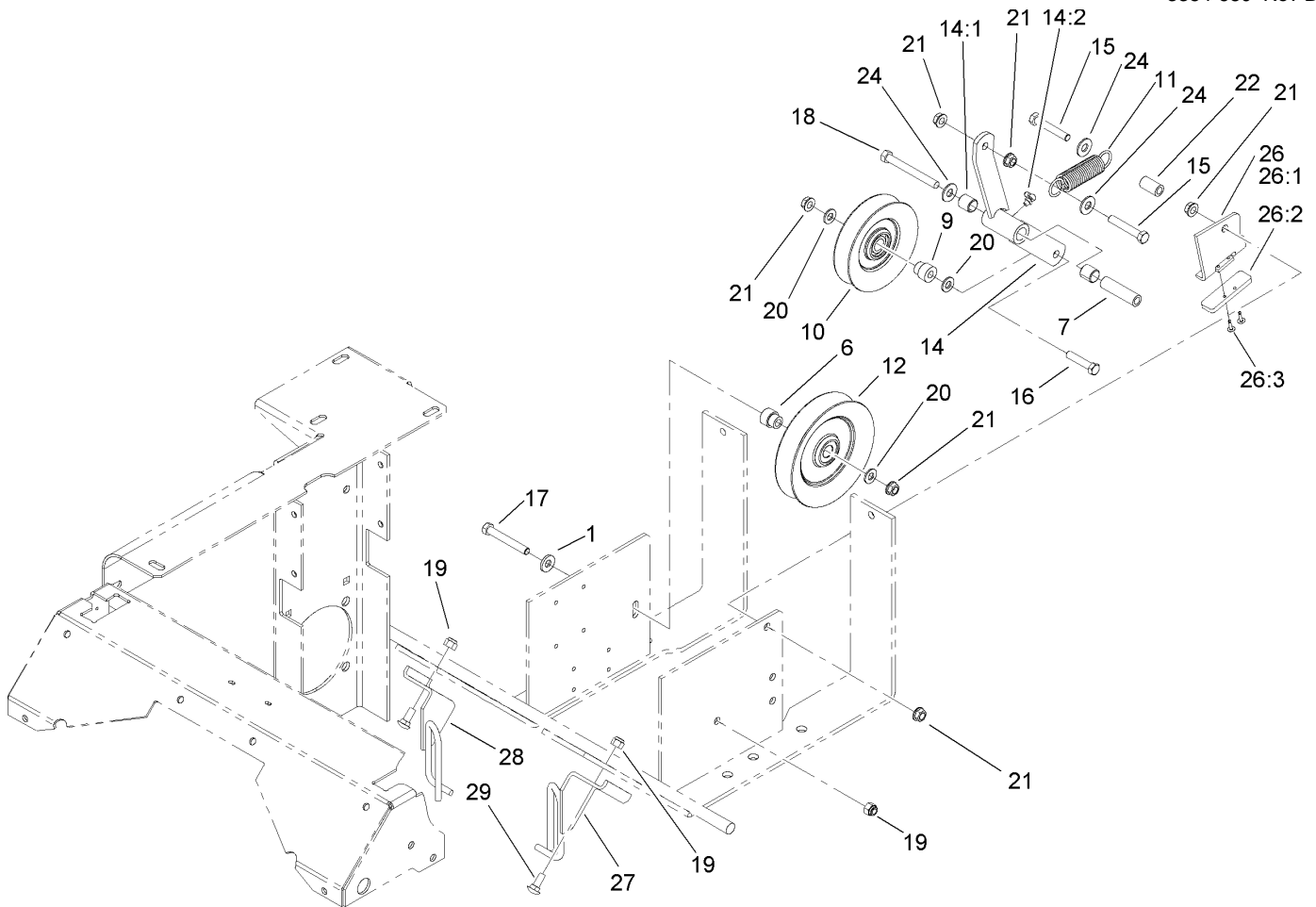




## Rubber Deflector Assembly No. 108-2792

| Ref | Part No.    | Qty. | Description        |
|-----|-------------|------|--------------------|
| 1   | 3231-4      | 4    | Screw-CARR         |
| 2   | 106-3246-01 | 1    | Deflector          |
| 3   | 106-3248-03 | 1    | Strap-Discharge    |
| 4   | 108-5029    | 1    | Deflector-Rubber   |
| 5   | 108-4059-01 | 1    | Plate-Hinge, Rear  |
| 6   | 106-3253-01 | 1    | Plate-Hinge, Front |
| 7   | 3296-39     | 4    | Nut-Lock, NI       |

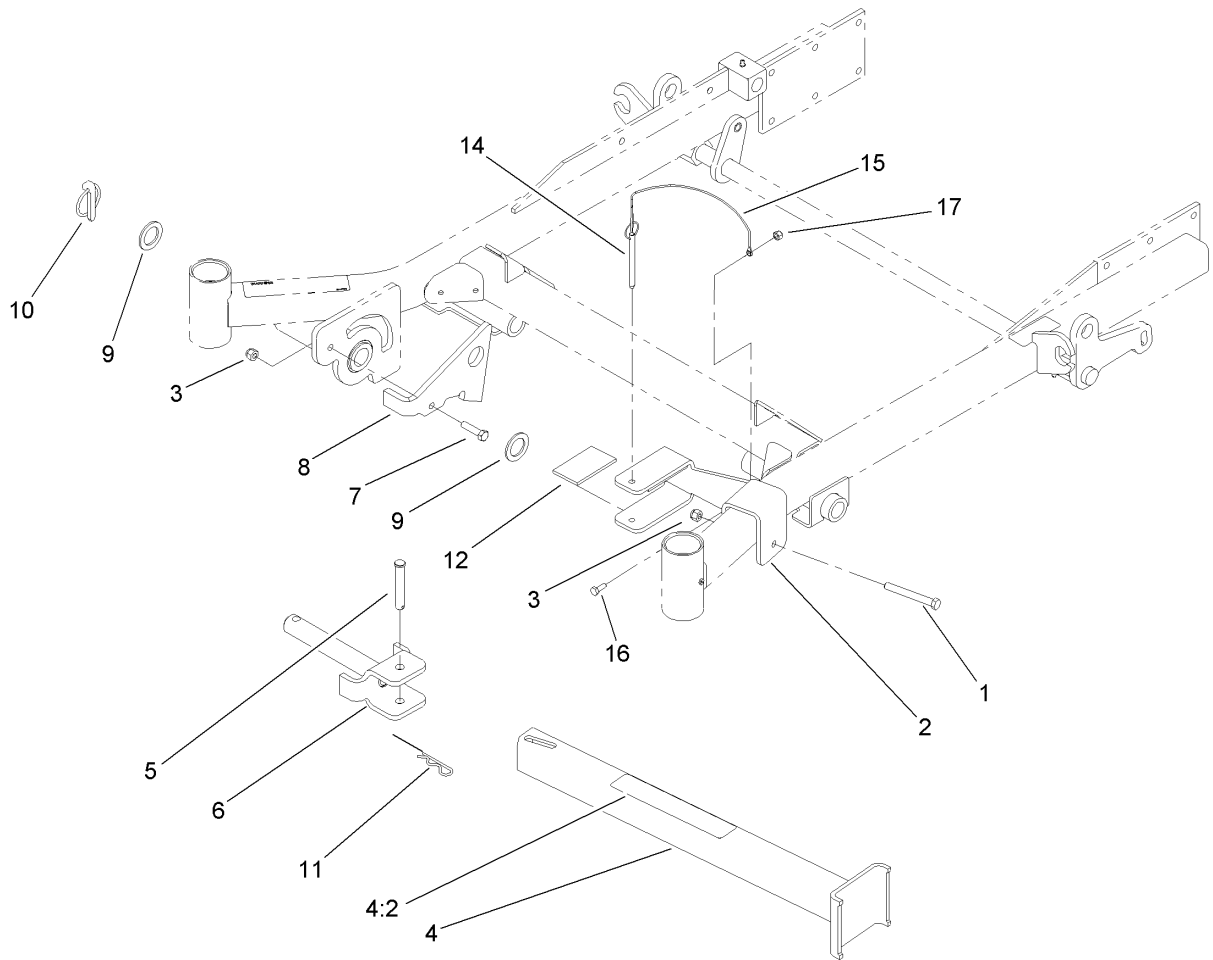




### Drive Idler Assembly

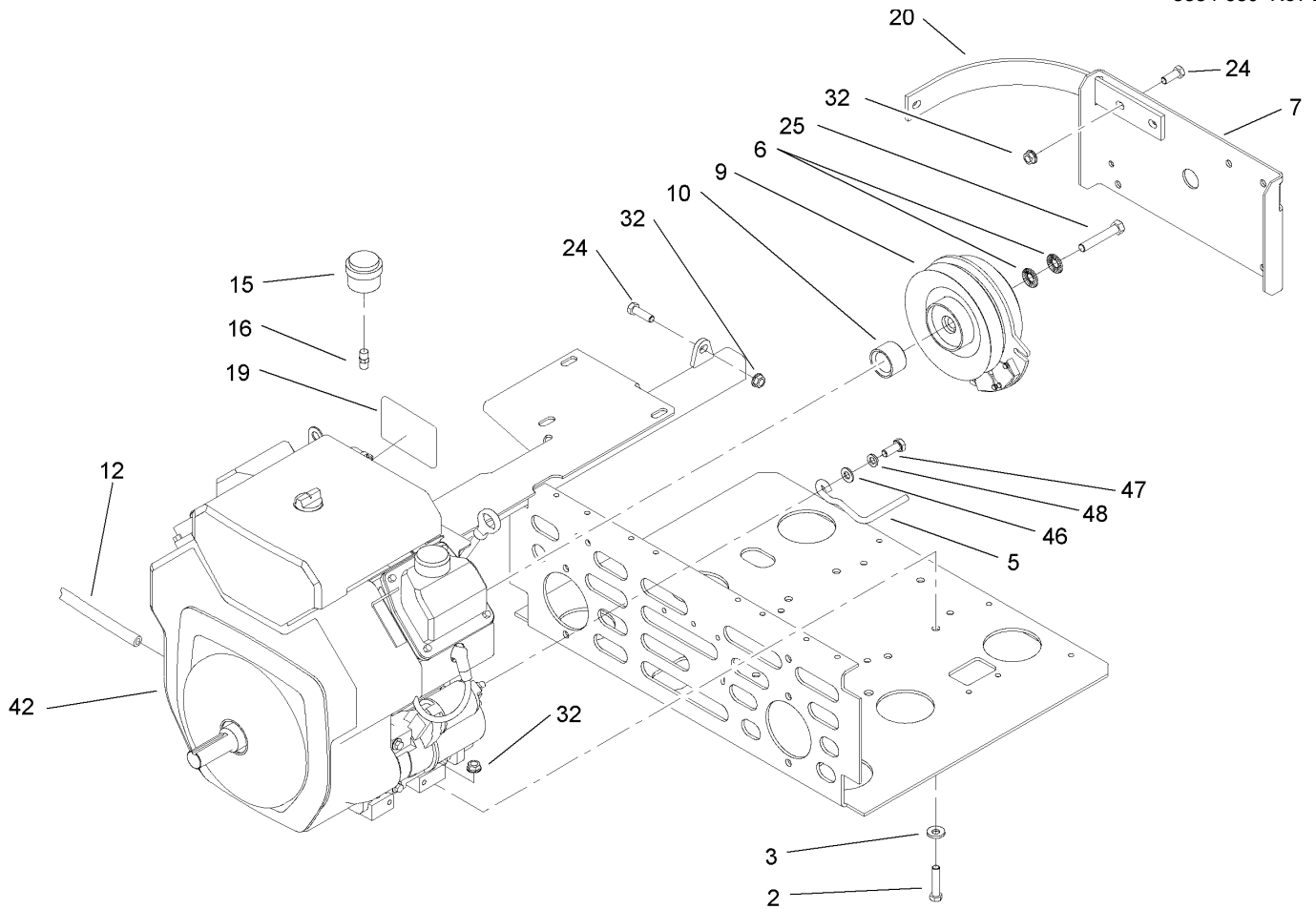
| Ref  | Part No.    | Qty. | Description           |
|------|-------------|------|-----------------------|
| 1    | 98-5975     | 1    | Washer-Belleville     |
| 6    | 103-2627    | 1    | Bushing-Idler         |
| 7    | 1-603384    | 1    | Bushing-Pivot, Idler  |
| 9    | 1-603496    | 1    | Bushing-Idler         |
| 10   | 99-4638     | 1    | Idler                 |
| 11   | 1-603402    | 1    | Spring-Extension      |
| 12   | 1-633166    | 1    | Pulley-Idler          |
| 14   | 103-3147    | 1    | Arm ASM               |
| 14:1 | 1-513034    | 2    | Sleeve-Bearing        |
| 14:2 | 302-40      | 1    | Fitting-Grease        |
| 15   | 323-12      | 2    | Screw-HH              |
| 16   | 323-9       | 1    | Screw-HH              |
| 17   | 323-13      | 1    | Screw-HH              |
| 18   | 1-800805    | 1    | Screw-HH              |
| 19   | 3296-39     | 3    | Nut-Lock, NI          |
| 20   | 3256-24     | 3    | Washer-Flat           |
| 21   | 3290-357    | 6    | Nut-HHF, Whiz         |
| 22   | 1-603401    | 1    | Spacer-Fender         |
| 24   | 3256-4      | 3    | Washer-Flat           |
| 26   | 106-3271    | 1    | Travel Limiter ASM    |
| 26:1 | 106-3228-03 | 1    | Plate-Limiter, Pulley |
| 26:2 | 106-3229    | 1    | Pad-Bumper            |
| 26:3 | 3269-24     | 2    | Rivet                 |
| 27   | 108-7204-03 | 1    | Guide-Belt, LH        |

| Ref | Part No.    | Qty. | Description    |
|-----|-------------|------|----------------|
| 28  | 108-7229-03 | 1    | Guide-Belt, RH |
| 29  | 3231-2      | 2    | Screw-CARR     |



## Z-Stand Assembly

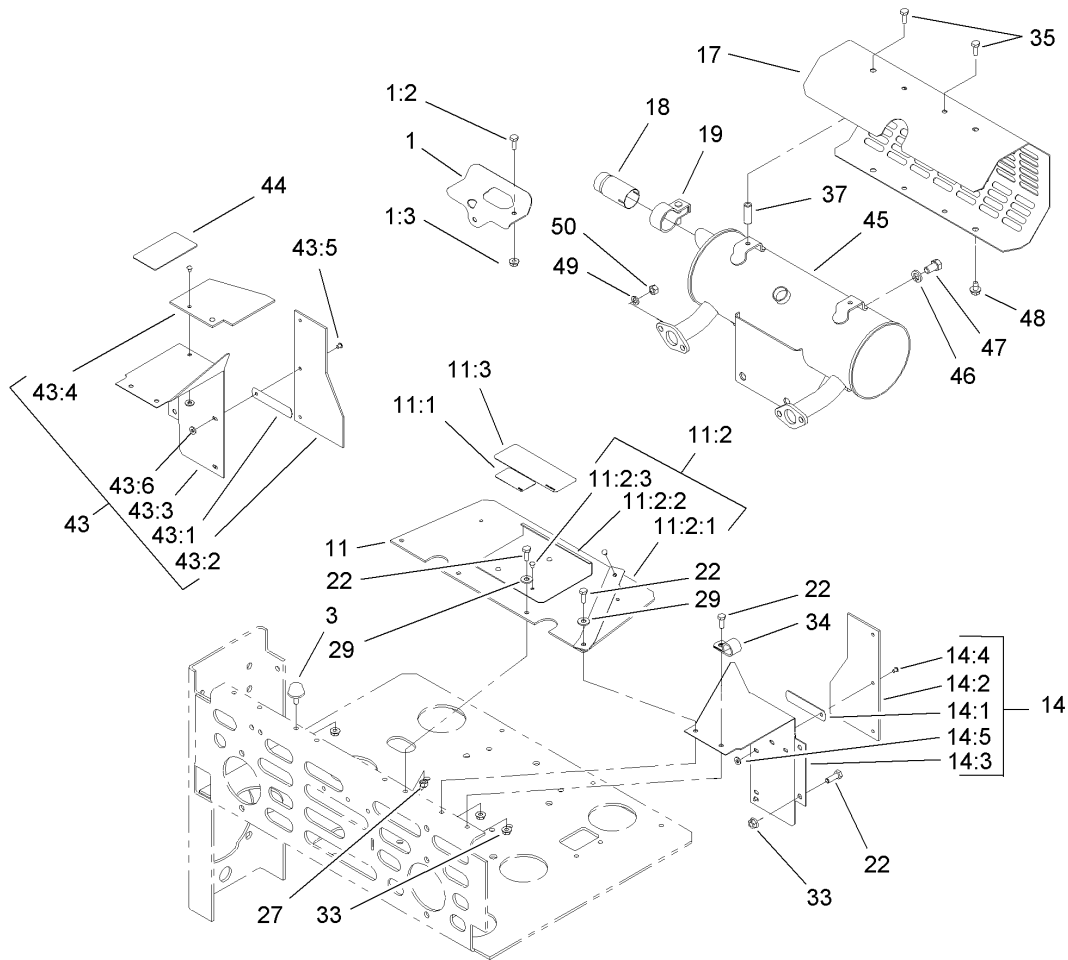
| Ref | Part No.    | Qty. | Description           |
|-----|-------------|------|-----------------------|
| 1   | 323-20      | 1    | Screw-HH              |
| 2   | 100-6542-01 | 1    | Bracket-Cradle        |
| 3   | 3296-39     | 2    | Nut-Lock, NI          |
| 4   | 107-1874    | 1    | Leg ASM               |
| 4:2 | 106-7464    | 1    | Decal-Z Stand         |
| 5   | 283-55      | 1    | Pin-Clevis            |
| 6   | 100-9692-01 | 1    | Pivot Pin ASM         |
| 7   | 323-8       | 1    | Screw-HH              |
| 8   | 100-9686-01 | 1    | Bracket-Latch         |
| 9   | 3-6781      | 2    | Washer-Thrust         |
| 10  | 283-71      | 1    | Pin-Lynch             |
| 11  | 3290-355    | 1    | Pin-Hair              |
| 12  | 100-6547    | 2    | Cushion-Rubber        |
| 14  | 105-1647    | 1    | Pin-Hitch, Cotterless |
| 15  | 100-9385    | 1    | Lanyard-Nylon         |
| 16  | 321-4       | 1    | Screw-HH              |
| 17  | 3296-42     | 1    | Nut-Lock, NI          |



## Engine and Clutch Assembly

| Ref | Part No.    | Qty. | Description               |
|-----|-------------|------|---------------------------|
| 2   | 323-9       | 4    | Screw-HH                  |
| 3   | 98-5975     | 4    | Washer-Belleville         |
| 5   | 52-4780     | 1    | Rod-Belt                  |
| 6   | 1-603610    | 2    | Washer-Spring             |
| 7   | 1-633615-03 | 1    | Guard-Clutch              |
| 9   | 103-6579    | 1    | Clutch                    |
| 10  | 1-633179    | 1    | Spacer-Clutch             |
| 12  | 106-7022    | 1    | Tube-Drain, Oil           |
| 13  | 1-303335    | 2    | Tie-Plastic               |
| 15  | 104-7755    | 1    | Indicator-Filter, Air     |
| 16  | 94-1416     | 1    | Indicator Adapter ASM     |
| 19  | 103-3270    | 1    | Decal                     |
| 20  | 103-7454-03 | 2    | Strap-Guard               |
| 24  | 323-6       | 6    | Screw-HH                  |
| 25  | 3212-10     | 1    | Screw-HH                  |
| 32  | 3290-357    | 8    | Nut-HHF, Whiz             |
| 42  |             | 1    | Engine-Kohler, Ch745-0012 |
| 46  | 3256-24     | 1    | Washer-Flat               |
| 47  | 323-6       | 1    | Screw-HH                  |
| 48  | 98-5975     | 1    | Washer-Belleville         |

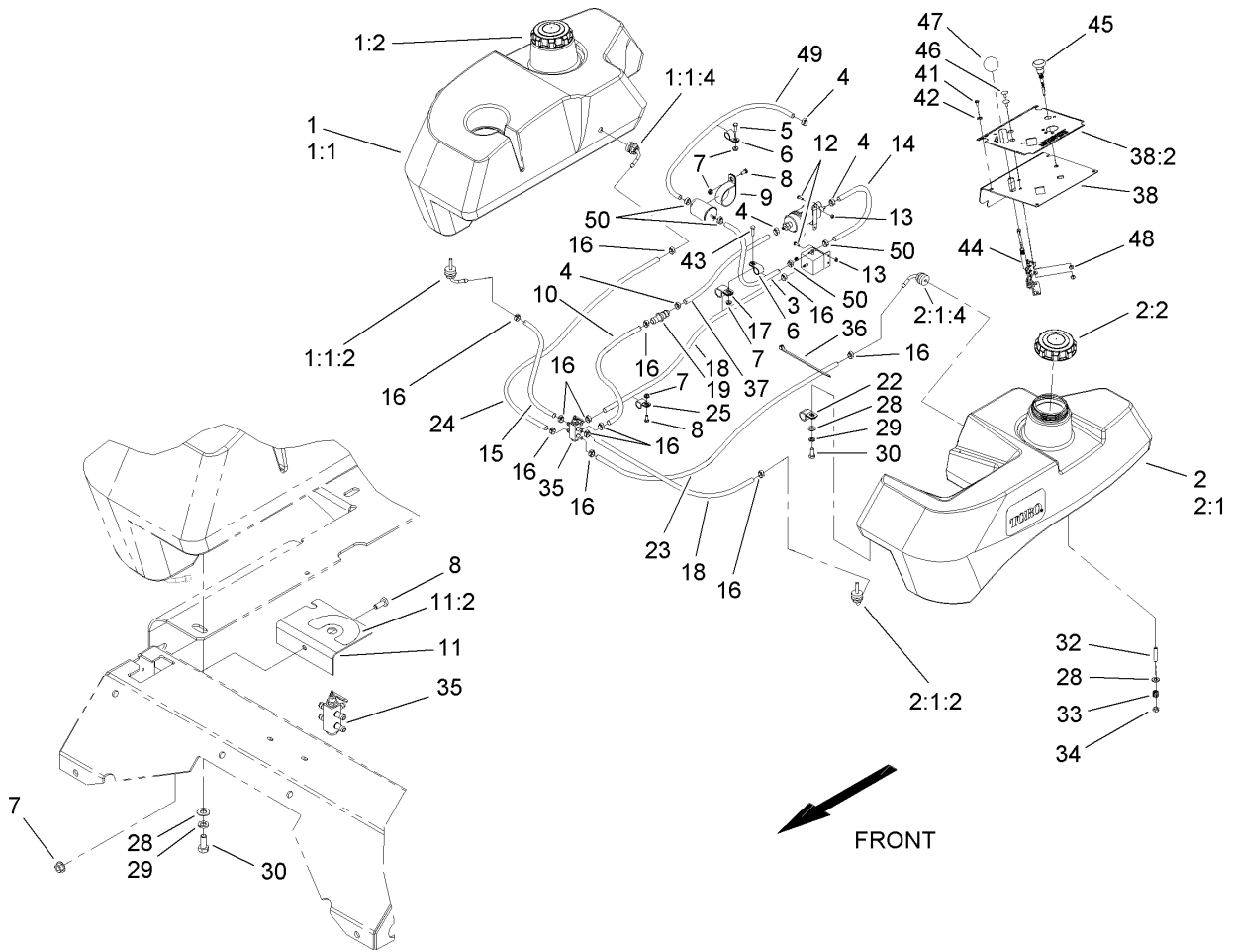
| Ref | Part No. | Qty. | Description |
|-----|----------|------|-------------|
|     |          |      |             |
|     |          |      |             |
|     |          |      |             |
|     |          |      |             |



## Muffler and Guard Assembly

| Ref    | Part No.    | Qty. | Description              |
|--------|-------------|------|--------------------------|
| 1      | 103-3535    | 1    | Cable Heat Shield Kit    |
| 1:2    | 321-4       | 1    | Screw-HH                 |
| 1:3    | 32128-33    | 1    | Nut-HF                   |
| 3      | 1-523420    | 2    | Bumper                   |
| 11     | 1-644276    | 1    | Shield ASM               |
| 11:1   | 1-633462    | 1    | Decal-Important          |
| 11:2   | 1-634308    | 1    | Shield/Lift ASM          |
| 11:2:1 | 103-1308    | 1    | Shield-Engine            |
| 11:2:2 | 1-633300-03 | 1    | Lift-Shield              |
| 11:2:3 | 1-803035    | 3    | Rivet-Pop                |
| 11:3   | 103-5881    | 1    | Decal-Devices, Rotating  |
| 14     | 1-634796    | 1    | LH Shield ASM            |
| 14:1   | 1-523285    | 1    | Clip-Baffle, Rear        |
| 14:2   | 1-633301    | 1    | Shield-Engine            |
| 14:3   | 1-633795-03 | 1    | Baffle-Engine Shield, LH |
| 14:4   | 1-803035    | 3    | Rivet-Pop                |
| 14:5   | 3256-63     | 3    | Washer-Flat              |
| 17     | 1-643313-03 | 1    | Guard-Muffler            |
| 18     | 103-1513    | 1    | Arrester-Spark           |
| 19     | 103-1514    | 1    | Clamp-Muffler            |
| 22     | 321-4       | 10   | Screw-HH                 |
| 27     | 3296-42     | 5    | Nut-Lock, NI             |
| 29     | 3256-2      | 4    | Washer-Flat              |
| 33     | 32128-33    | 9    | Nut-HF                   |

| Ref  | Part No.    | Qty. | Description           |
|------|-------------|------|-----------------------|
| 34   | 1-633396    | 1    | Clip-Loom             |
| 35   | 1-809108    | 2    | Screw-HWH             |
| 37   | 1-323236    | 2    | Spacer                |
| 43   | 1-644316    | 1    | RH Shield ASM         |
| 43:1 | 1-523285    | 1    | Clip-Baffle, Rear     |
| 43:2 | 1-633301    | 1    | Shield-Engine         |
| 43:3 | 1-633794-03 | 1    | Shield-RH             |
| 43:4 | 1-643315    | 1    | Baffle-Cooler, Engine |
| 43:5 | 1-803035    | 5    | Rivet-Pop             |
| 43:6 | 3256-63     | 5    | Washer-Flat           |
| 44   | 1-643339    | 1    | Decal-Routing, Belt   |
| 45   | 103-7481    | 1    | Muffler               |
| 46   | 3253-6      | 2    | Washer-Lock           |
| 47   | 324-2       | 2    | Screw-HH              |
| 48   | 9266934     | 2    | Screw                 |
| 49   | 1-805005    | 4    | Washer-Lock           |
| 50   | 33014-00    | 4    | Nut-Hex               |

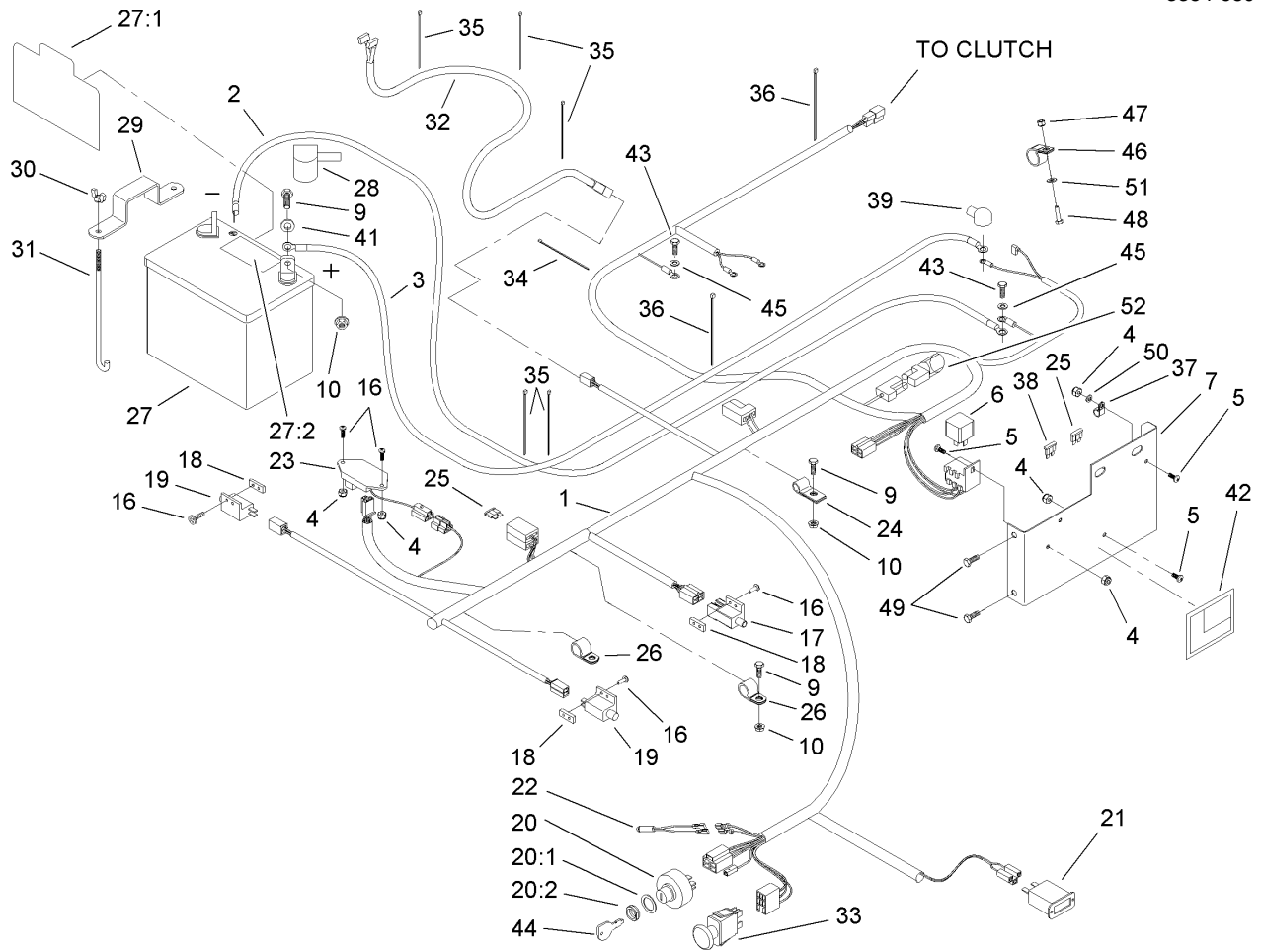


## Fuel Assembly

| Ref   | Part No. | Qty. | Description            |
|-------|----------|------|------------------------|
| 1     | 105-3641 | 1    | RH Fuel Tank Kit ASM   |
| ② 1:1 |          | 1    | RH Fuel Tank ASM       |
| 1:1:2 | 103-2605 | 1    | Fitting-Fuel, Bulkhead |
| 1:1:4 | 103-2615 | 1    | Fitting-Fuel, Bulkhead |
| 1:2   | 109-0346 | 1    | Cap-Fuel, Gas          |
| 2     | 105-3642 | 1    | LH Fuel Tank Kit ASM   |
| ② 2:1 |          | 1    | LH Fuel Tank ASM       |
| 2:1:2 | 103-2605 | 1    | Fitting-Fuel, Bulkhead |
| 2:1:4 | 103-2615 | 1    | Fitting-Fuel, Bulkhead |
| 2:2   | 109-0346 | 1    | Cap-Fuel, Gas          |
| 3     | 103-8279 | 1    | Hose, Fuel             |
| 4     | 1-643277 | 4    | Clamp-Hose, Fuel       |
| 5     | 321-4    | 1    | Screw-HH               |
| 6     | 1-603727 | 2    | Clip-Loom              |
| 7     | 32128-33 | 5    | Nut-HF                 |
| 8     | 321-3    | 4    | Screw-HH               |
| 9     | 1-643241 | 1    | Clip-Loom              |
| 10    | 99-7190  | 1    | Hose-Fuel              |
| 11    | 107-2115 | 1    | Fuel Valve Bracket ASM |
| 11:2  | 107-2114 | 1    | Decal-Valve, Fuel      |
| 12    | 3290-500 | 6    | Screw-PPH              |
| 13    | 3296-2   | 6    | Nut-Lock               |
| 14    | 103-2490 | 1    | Hose-Fuel              |
| 15    | 103-2944 | 1    | Hose-Fuel              |

| Ref  | Part No. | Qty. | Description                |
|------|----------|------|----------------------------|
| 16   | 1-643293 | 12   | Clamp-Hose, Fuel           |
| 17   | 1-643312 | 1    | Clip-Loom                  |
| 18   | 63-7722  | 2    | Hose-Fuel                  |
| 19   | 103-2595 | 1    | Connector                  |
| 22   | 103-0373 | 1    | Clip                       |
| 23   | 107-1889 | 1    | Hose-Fuel                  |
| 24   | 99-7191  | 1    | Hose-Fuel                  |
| 25   | 1-513762 | 3    | Clip-Loom                  |
| 28   | 3256-23  | 8    | Washer-Flat                |
| 29   | 1-805005 | 2    | Washer-Lock                |
| 30   | 322-3    | 2    | Screw-HH                   |
| 32   | 1-633023 | 6    | Stud                       |
| 33   | 1-633349 | 6    | Spring-Tank, Fuel          |
| 34   | 3296-47  | 6    | Nut-Lock, NI               |
| 35   | 1-643234 | 1    | Valve-Fuel, Dual Flow      |
| 36   | 1-303287 | 6    | Tie-Plastic                |
| 37   | 93-5484  | 1    | Hose-Fuel                  |
| 38   | 110-3886 | 1    | Control Panel ASM          |
| 38:2 | 110-5721 | 1    | Decal-Panel, Control       |
| 41   | 3251-1   | 4    | Screw-PPH                  |
| 42   | 1-303435 | 4    | Washer-Spring              |
| 43   | 321-6    | 1    | Screw-HH                   |
| 44   | 110-5717 | 1    | Cable-Throttle             |
| 45   | 110-5720 | 1    | Control-Choke, Push / Pull |





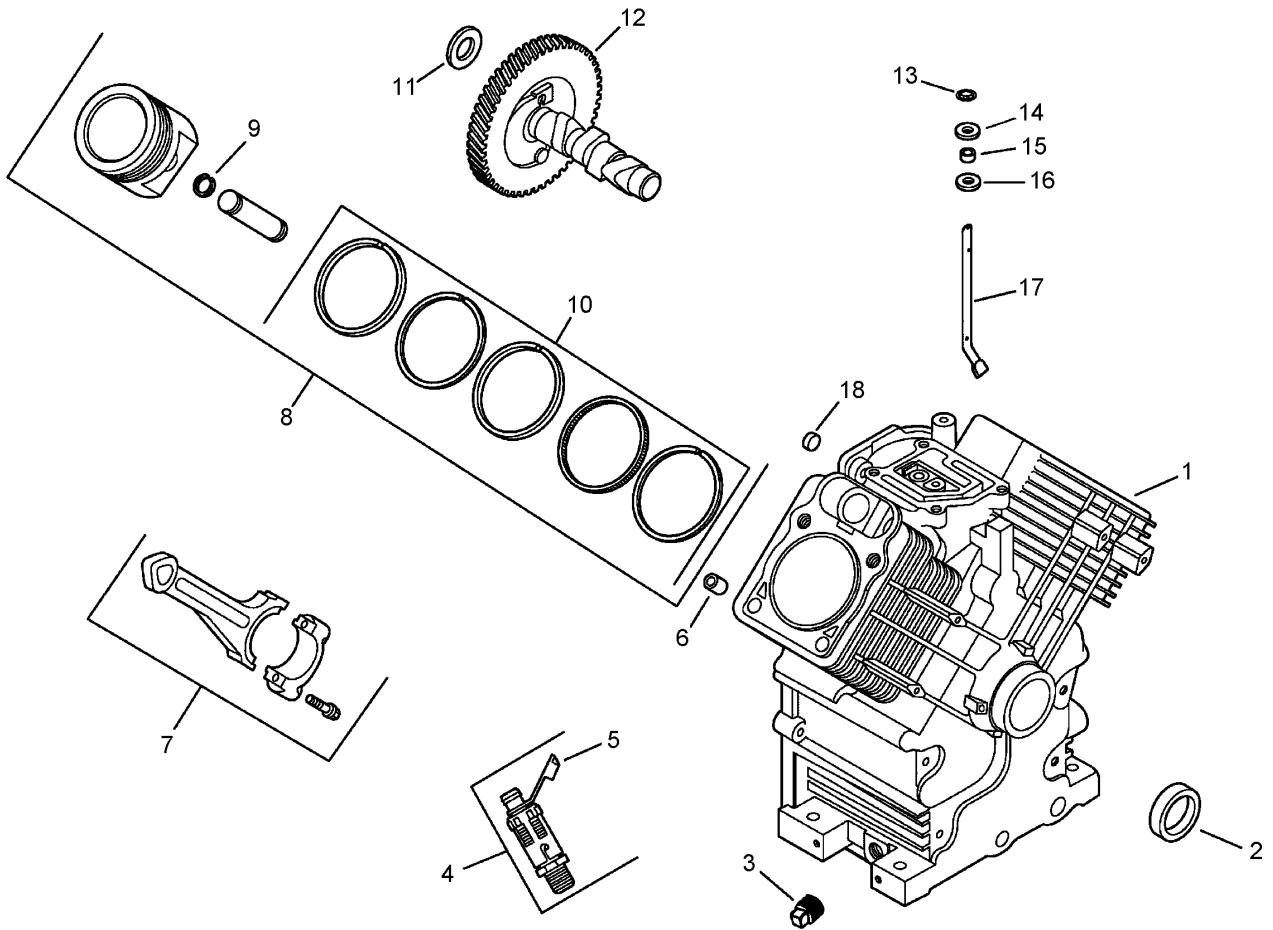
## Electrical Assembly

| Ref  | Part No.    | Qty. | Description             |
|------|-------------|------|-------------------------|
| 1    | 106-7495    | 1    | Harness-Wire            |
| 2    | 1-633307    | 1    | Wire-Ground             |
| 3    | 1-523279    | 1    | Wire-Battery, Positive  |
| 4    | 3296-2      | 8    | Nut-Lock                |
| 5    | 1-803071    | 4    | Screw                   |
| 6    | 1-643275    | 2    | Relay                   |
| 7    | 103-7455-03 | 1    | Panel-Efi               |
| 9    | 321-4       | 6    | Screw-HH                |
| 10   | 32128-33    | 6    | Nut-HF                  |
| 16   | 3290-500    | 6    | Screw-PPH               |
| 17   | 1-633111    | 1    | Switch                  |
| 18   | 1-633181    | 3    | Plate-Tapped            |
| 19   | 1-513051    | 2    | Switch-Open, Normally   |
| 20   | 88-9830     | 1    | Key Switch ASM          |
| 20:1 | 3254-5      | 1    | Washer-Tooth            |
| 20:2 | 218-461     | 1    | Nut-HH                  |
| 21   | 1-513374    | 1    | Meter-Hour              |
| 22   | 1-643267    | 1    | Indicator-Led, Red      |
| 23   | 100-6186    | 1    | Module-Delay, Seat      |
| 24   | 1-513762    | 2    | Clip-Loom               |
| 25   | 1-816001    | 2    | Fuse-Blade Type, 20 Amp |
| 26   | 103-0373    | 1    | Clip                    |
| 27   | 105-1692    | 1    | Battery                 |
| 27:1 | 104-4163    | 1    | Decal-Battery           |

| Ref  | Part No.  | Qty. | Description             |
|------|-----------|------|-------------------------|
| 27:2 | 104-4164  | 1    | Decal-Battery           |
| 28   | 1-543391  | 1    | Insulator-Battery       |
| 29   | 107-9277  | 1    | Strap-Holddown, Battery |
| 30   | 1-543792  | 2    | Wingnut                 |
| 31   | 1-633651  | 2    | Bolt-Holddown           |
| 32   | 103-1227  | 1    | Harness-Wiring, Seat    |
| 33   | 103-5221  | 1    | Switch-PTO              |
| 34   | 1-303287  | 2    | Tie-Plastic             |
| 35   | 1-303335  | 5    | Tie-Plastic             |
| 36   | 1-643115  | 2    | Tie-Plastic             |
| 37   | 1-323229  | 1    | Clip-Loom               |
| 38   | 1-816002  | 1    | Fuse-Blade Type, 10 Amp |
| 39   | 1-543393  | 1    | Insulator-Solenoid      |
| 41   | 3256-2    | 2    | Washer-Flat             |
| 42   | 103-2750  | 1    | Decal-Relay / Fuse      |
| 43   | 33114-016 | 2    | Screw-HH                |
| 44   | 63-8360   | 2    | Key-Ignition            |
| 45   | 3256-23   | 2    | Washer-Flat             |
| 46   | 1-643312  | 1    | Clip-Loom               |
| 47   | 3296-42   | 1    | Nut-Lock, NI            |
| 48   | 321-6     | 1    | Screw-HH                |
| 49   | 32105-20  | 2    | Screw-HH                |
| 50   | 3256-14   | 2    | Washer-Flat             |
| 51   | 3256-22   | 2    | Washer-Flat             |



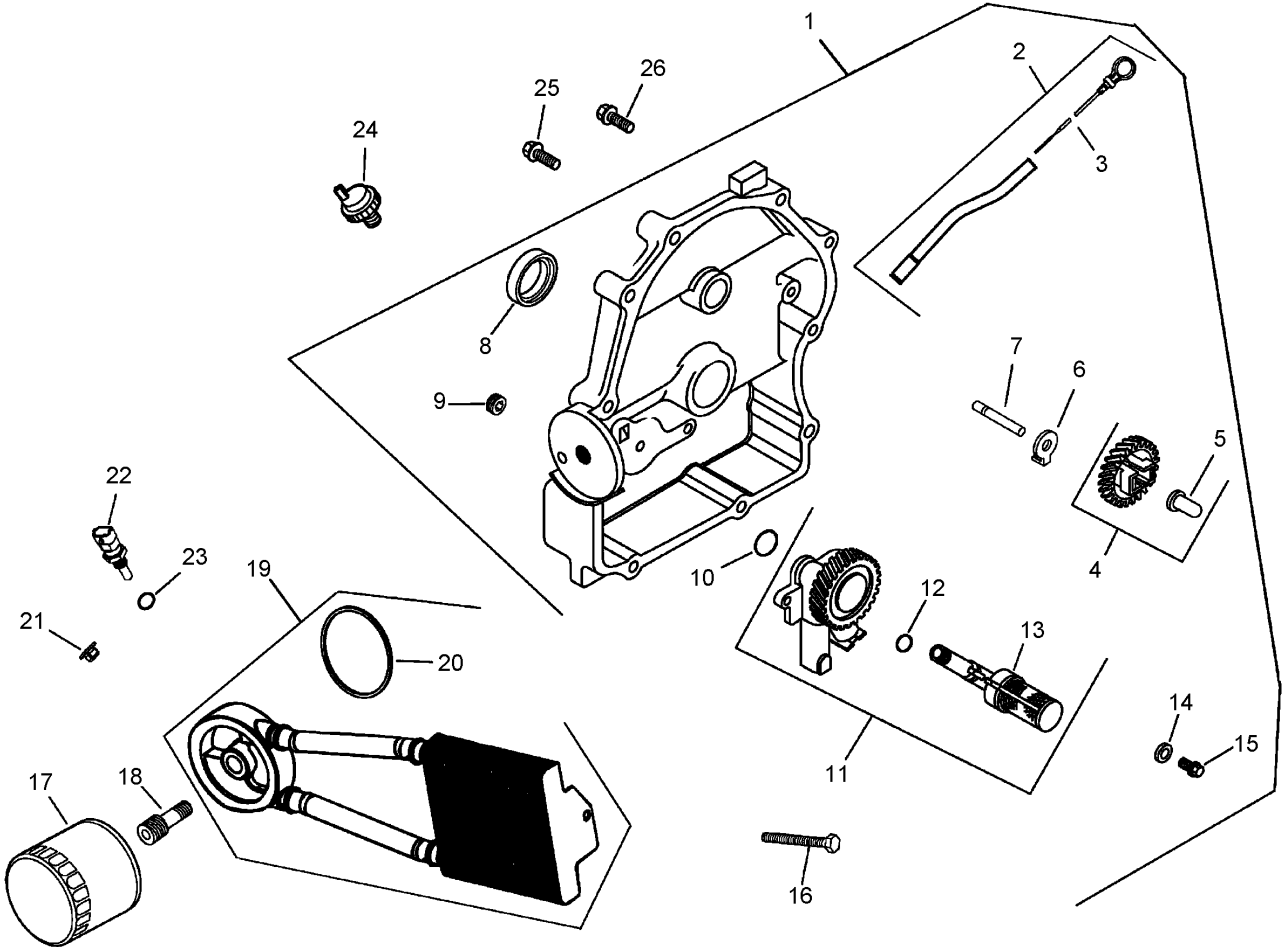




## Crankcase Assembly Kohler CH745-0012

| Ref | Part No.    | Qty. | Description                             |
|-----|-------------|------|---|
| 1   |             | 1    | Crankcase (Use: Miniblock 24 782 36)    |
| 2   | 24 032 01-S | 1    | Seal-Oil, Front                         |
| 3   | 25 139 57-S | 2    | Plug-SQH (3/8In NPTF)                   |
| 4   | 25 755 14-S | 1    | Valve-Drain, Oil (Includes 5)           |
| 5   | 25 173 14-S | 1    | Cap-Valve, Oil Drain                    |
| 6   | 24 380 13-S | 6    | Pin-Locating                            |
| 7   | 24 067 13-S | 2    | Rod-Connecting (STD)                    |
| 7   | 24 067 14-S | 2    | Rod-Connecting (.25)                    |
| 8   | 24 874 08-S | 2    | Piston W/Ring Set (STD) (Includes 7, 8) |
| 8   | 24 874 16-S | 2    | Piston W/Ring Set (.08)                 |
| 8   | 24 874 20-S | 2    | Piston W/Ring Set (.25)                 |
| 8   | 24 874 21-S | 2    | Piston W/Ring Set (.50)                 |
| 9   | 24 018 01-S | 4    | Retainer-Pin, Piston                    |
| 10  | 24 108 05-S | 2    | Ring Set (.25)                          |
| 10  | 24 108 06-S | 2    | Ring Set (.25)                          |
| 10  | 24 108 07-S | 2    | Ring Set (.50)                          |
| 11  | 12 422 10-S | 1    | Shim-Camshaft, Yellow                   |
| 11  | 12 422 09-S | 1    | Shim-Camshaft, Red                      |
| 11  | 12 422 13-S | 1    | Shim-Camshaft, Black                    |
| 11  | 12 422 07-S | 1    | Shim-Camshaft, White                    |
| 11  | 12 422 08-S | 1    | Shim-Camshaft, Blue                     |
| 11  | 12 422 11-S | 1    | Shim-Camshaft, Green                    |

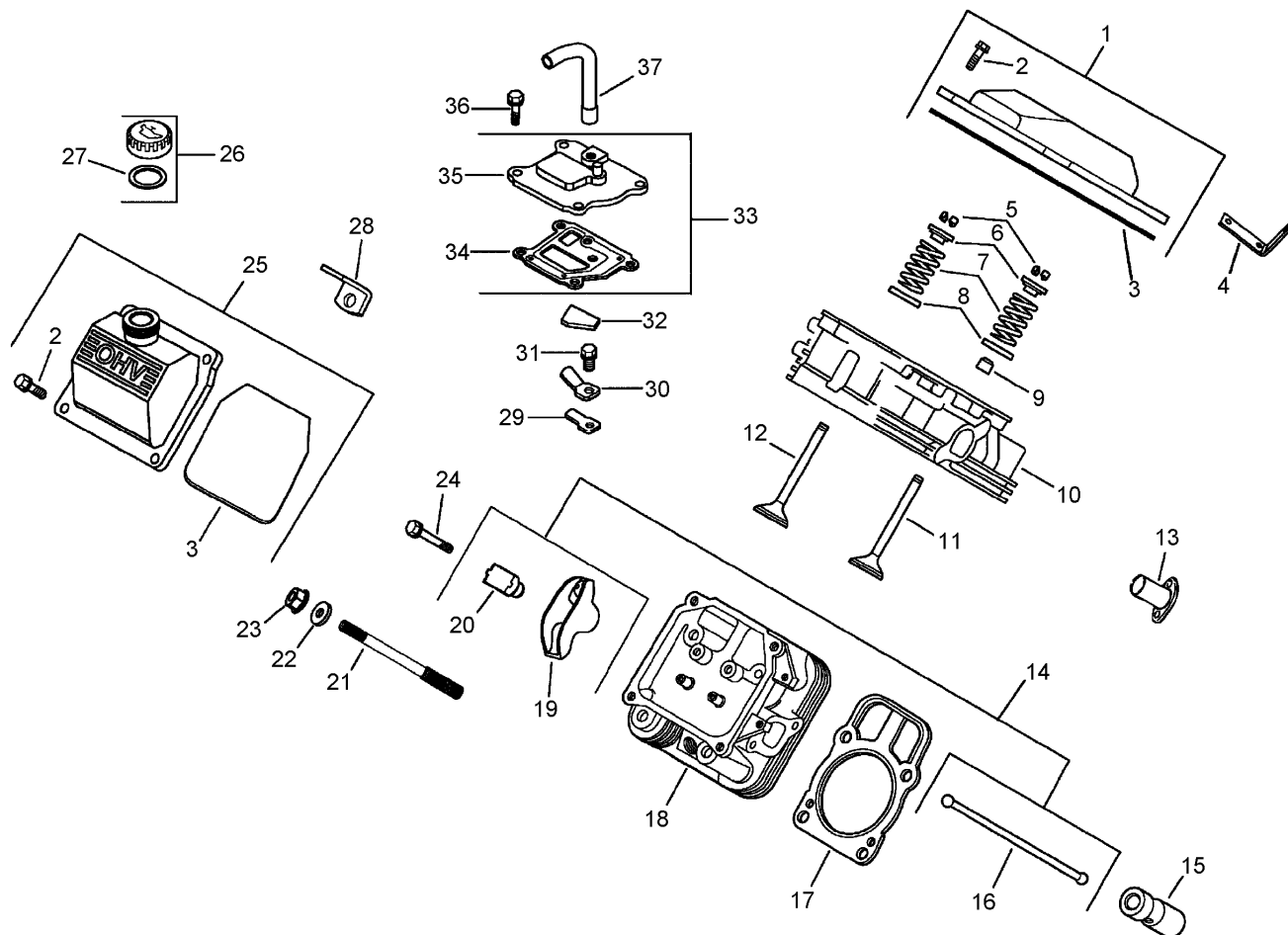
| Ref | Part No.    | Qty. | Description                |
|-----|-------------|------|----------------------------|
| 11  | 12 422 12-S | 1    | Shim-Camshaft, Gray        |
| 12  | 24 012 18-S | 1    | Camshaft                   |
| 13  | 24 018 09-S | 1    | Retainer-Ring              |
| 14  | M-931010-S  | 1    | Washer-Plain               |
| 15  | 28 032 09-S | 1    | Seal-Cross Shaft, Governor |
| 16  | 24 468 15-S | 1    | Washer-Flat                |
| 17  | 24 144 38-S | 1    | Shaft-Cross, Governor      |
| 18  | 52 139 09-S | 1    | Plug-Cup                   |



## Oil Pan and Lubrication Assembly Kohler CH745-0012

| Ref | Part No.     | Qty. | Description                       |
|-----|--------------|------|-----------------------------------|
| ❶1  | 24 009 83-S  | 1    | Closure Plate ASM (Includes 2-15) |
| ❶2  | 24 755 121-S | 1    | Dipstick Tube ASM (Includes 3)    |
| ❶3  | 24 038 10-S  | 1    | Dipstick                          |
| ❶4  | 24 043 12-S  | 1    | Governor Gear Kit (Includes 5)    |
| ❶5  | 12 380 01-S  | 1    | Pin-Regulating, Governor          |
| ❶6  | 24 448 02-S  | 1    | Tab-Locking                       |
| ❶7  | 12 144 02-S  | 1    | Shaft-Gear, Governor              |
| ❶8  | 52 032 08-S  | 1    | Seal-Oil                          |
| ❶9  | 25 139 60-S  | 1    | Plug-Pipe, 1/8In Allen Head       |
| ❶10 | 24 153 08-S  | 1    | O-Ring                            |
| ❶11 | 24 393 37-S  | 1    | Oil Pump ASM (Includes 12, 13)    |
| ❶12 | 24 153 01-S  | 1    | O-Ring (Oil Pick Up)              |
| ❶13 | 24 381 04-S  | 1    | Pick Up-Oil                       |
| ❶14 | M-631005-S   | 2    | Washer-Plain (6Mm)                |
| ❶15 | M-645025-S   | 2    | Screw-HF (M6X1.0X25)              |
| ❶16 | 25 086 49-S  | 2    | Screw-Tapping, 1/4-1X3/4          |
| ❶17 | 12 050 01-S  | 1    | Filter-Oil                        |
| ❶18 | 24 136 05-S  | 1    | Nipple-Filter, Oil                |
| ❶19 | 24 594 31-S  | 1    | Cooler-Oil (Includes 20)          |
| ❶20 | 24 153 21-S  | 1    | O-Ring                            |
| ❶21 | 24 100 01-S  | 2    | Nut-Plastic                       |
| ❶22 | 24 418 12-S  | 1    | Sensor-Temperature                |
| ❶23 | 12 153 04-S  | 1    | O Ring-Oil Pick-Up                |

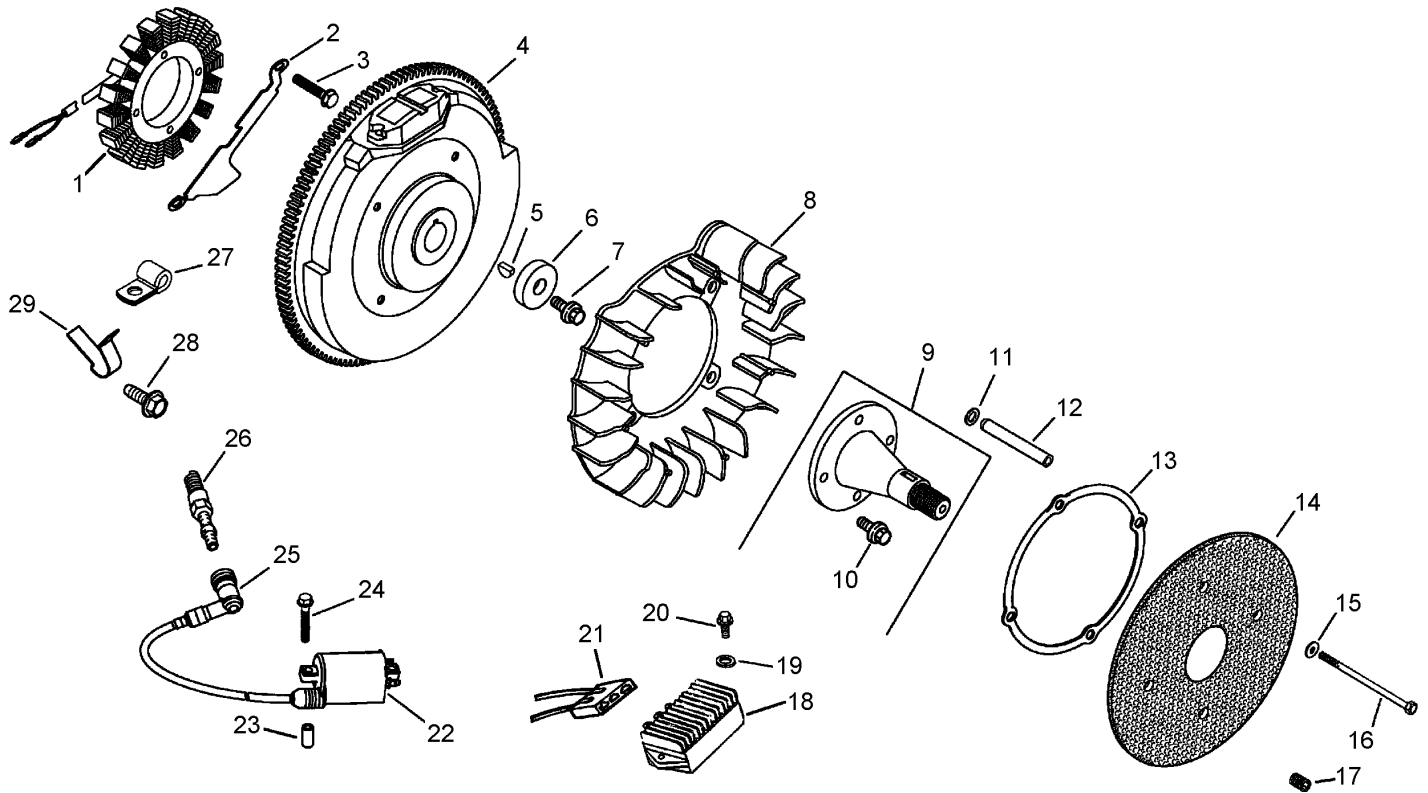
| Ref | Part No.    | Qty. | Description           |
|-----|-------------|------|-----------------------|
| ❶24 | 24 099 03-S | 1    | Switch-Pressure       |
| ❶25 | 24 086 16-S | 9    | Screw-HF (M8X1.25X45) |
| ❶26 | 24 086 17-S | 1    | Screw-HF (M8X1.25X45) |
| ❶❶  | 24 113 25-S | 1    | Decal-Cooler, Oil     |



## Head, Valve and Breather Assembly Kohler CH745-0012

| Ref | Part No.     | Qty. | Description                                |
|-----|--------------|------|--|
| ❶   | 24 755 140-S | 1    | Valve Cover Kit (Includes 2, 3)            |
| ❷   | M-651030-S   | 4    | Screw-HF (M6X1.0X30)                       |
| ❸   | 24 153 28-S  | 1    | O-Ring                                     |
| ❹   | 24 445 01-S  | 1    | Strap-Lifting                              |
| ❺   | 12 755 03-S  | 4    | Retainer Kit                               |
| ❻   | 12 173 01-S  | 2    | Cap-Spring, Valve                          |
| ❼   | 24 089 02-S  | 2    | Spring-Valve                               |
| ❽   | 235011-S     | 2    | Retainer-Spring                            |
| ❾   | 66 032 05-S  | 1    | Seal-Stem, Valve                           |
| ❿   | 24 318 65-S  | 1    | Head ASM                                   |
| ⓫   | 24 017 01-S  | 1    | Valve-Intake (STD)                         |
| ⓫   | 24 017 02-S  | 1    | Valve-Intake (.25)                         |
| ⓬   | 24 016 01-S  | 2    | Valve-Exhaust (STD)                        |
| ⓬   | 24 016 02-S  | 1    | Valve-Exhaust (.25)                        |
| ⓭   | 24 605 01-S  | 1    | Liner-Port, Exhaust                        |
| ⓮   | 24 755 66-S  | 1    | Valve Train Kit (Includes 16, 19, 20)      |
| ⓯   | 25 351 04-S  | 4    | Lifter-Valve                               |
| ⓰   | 24 411 05-S  | 2    | Rod-Push                                   |
| ⓱   | 24 841 03-S  | 2    | Cylinder Head Gasket Kit (Includes 22, 23) |
| ⓲   | 24 318 66-S  | 1    | Head ASM                                   |
| ⓳   | 25 186 01-S  | 2    | Arm-Rocker                                 |
| ⓴   | 24 599 01-S  | 2    | Pivot-Arm, Rocker                          |

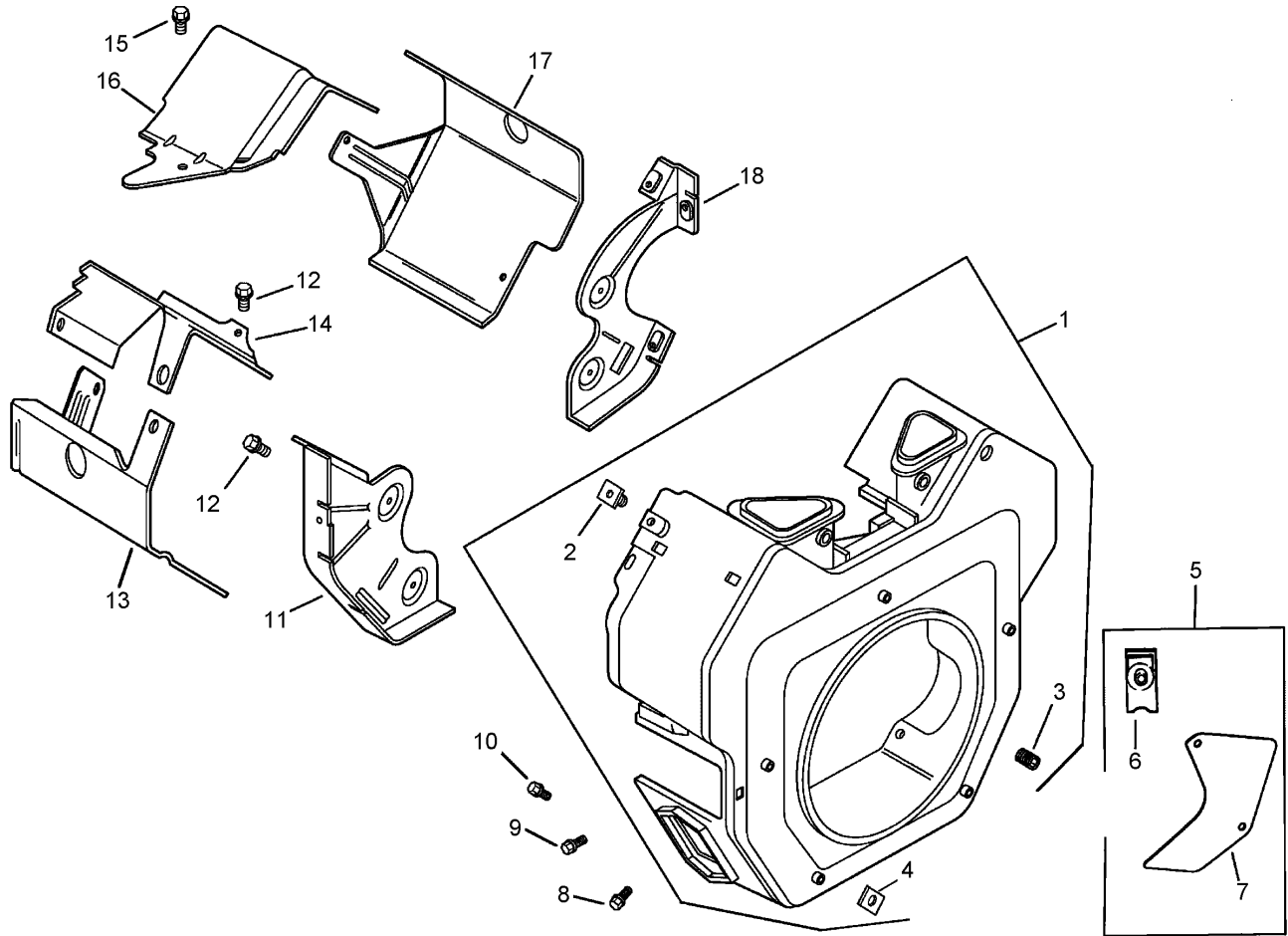
| Ref | Part No.     | Qty. | Description   |
|-----|--------------|------|---|
| ⓲   | 24 072 09-S  | 8    | Stud-Head, Cylinder   |
| ⓳   | 24 468 16-S  | 8    | Washer  |
| ⓴   | 24 100 10-S  | 8    | Nut-HF (M8X1.25)  |
| ⓵   | M-640034-S   | 2    | Screw-HF (M6X1.0X34)  |
| ⓶   | 24 755 140-S | 1    | Valve Cover Kit (Includes 2, 23)                                  |
| ⓷   | 25 755 13-S  | 1    | Oil Fill Cap ASM (Includes 27)                                    |
| ⓸   | 25 153 02-S  | 1    | O-Ring  |
| ⓹   | 12 445 05-S  | 97   | Strap-Lifting   |
| ⓺   | 24 402 03-S  | 1    | Reed-Breather   |
| ⓻   | 66 018 04-S  | 1    | Retainer-Reed, Breather   |
| ⓼   | M-545010-S   | 1    | Screw-HF (M5X0.8X10)  |
| ⓽   | 24 050 01-S  | 1    | Filter-Breather   |
| ⓾   | 24 033 01-S  | 1    | Breather Kit (Includes 34, 35)                                    |
| ⓿   | 24 041 51-S  | 1    | Gasket-Breather   |
| ⓿   | 24 096 86-S  | 1    | Cover-Breather  |
| ⓿   | M-645020-S   | 4    | Screw-HF (M6X1.0X20)  |
| ⓿   | 24 326 68-S  | 1    | Hose-Breather   |
| ⓿   | 25 452 01-S  | 1    | Terminal  |
| ⓿   | 24 755 147-S | 1    | Cylinder Head Hardware Kit (Includes 5-9, 11, 12, 16, 19, 20, 24) |



## Ignition and Electrical Assembly Kohler CH745-0012

| Ref | Part No.     | Qty. | Description                         |
|-----|--------------|------|-------------------------------------|
| ❶   | 28 085 02-S  | 1    | Stator Kit (Includes 3, 21)         |
| ❷   | 24 126 139-S | 1    | Bracket-Wire, Stator                |
| ❸   | 25 086 29-S  | 2    | Screw-Tapping                       |
| ❹   | 24 025 30-S  | 1    | Flywheel                            |
| ❺   | X-42-15-S    | 1    | Key                                 |
| ❻   | 12 468 03-S  | 1    | Washer-Plain (3/8In)                |
| ❼   | 12 086 14-S  | 1    | Screw-HF (M10X1.5X46)               |
| ❽   | 24 157 04-S  | 1    | Fan                                 |
| ❾   | 24 755 08-S  | 1    | Front Drive Shaft Kit (Includes 10) |
| ❿   | M-839025-S   | 4    | Screw-HF (M8X1.25X25)               |
| ⓫   | 24 468 11-S  | 4    | Washer-Spring                       |
| ⓬   | 24 112 14-S  | 4    | Spacer                              |
| ⓭   | 24 141 06-S  | 1    | Ring-Support                        |
| ⓮   | 24 162 22-S  | 1    | Screen-Grass                        |
| ⓯   | X-25-53-S    | 4    | Washer-Plain, 1/4In                 |
| ⓰   | M-603100-S   | 4    | Screw-HH (M6X1.0X100)               |
| ⓱   | 25 086 43-S  | 1    | Screw-Set                           |
| ⓲   | 25 403 08-S  | 1    | Rectifier-Regulator                 |
| ⓳   | X-25-92-S    | 2    | Washer-Plain                        |
| ⓴   | 24 086 18-S  | 1    | Screw-Head, Phillips                |
| ⓵   | 236602-S     | 1    | Connector                           |
| ⓶   | 24 519 02-S  | 2    | Coil-Ignition                       |
| ⓷   | 24 112 16-S  | 4    | Spacer                              |
| ⓸   | 24 086 48-S  | 4    | Screw-Tapping                       |

| Ref | Part No.     | Qty. | Description  |
|-----|--------------|------|--|
| ⓶   | 24 131 02-S  | 1    | Spark Plug Boot ASM  |
| ⓷   | 25 132 12-S  | 2    | Spark Plug   |
| ⓸   | 12 154 01-S  | 1    | Clamp-Line, Fuel   |
| ⓹   | M-545016-S   | 1    | Screw-HF (M5X0.8X16)   |
| ⓺   | 25 237 06-S  | 1    | Clamp-Hose   |
| ⓻   | 24 100 01-S  | 4    | Nut-Plastic  |
| ⓼   | 24 126 137-S | 1    | Bracket-Strap, Ground  |
| ⓽   | 25 468 07-S  | 1    | Washer   |
| ⓾   | 25 452 01-S  | 3    | Terminal   |
| ⓿   | 24 518 12-S  | 1    | Lead-Black (6In - 18 Gauge - Insulated Grip Barrel Eyelet Terminals) |
| ⓿   | X-22-11-S    | 1    | Washer-Lock (1/4In)  |
| ⓿   | 12 454 03-S  | 1    | Tie-Wire   |

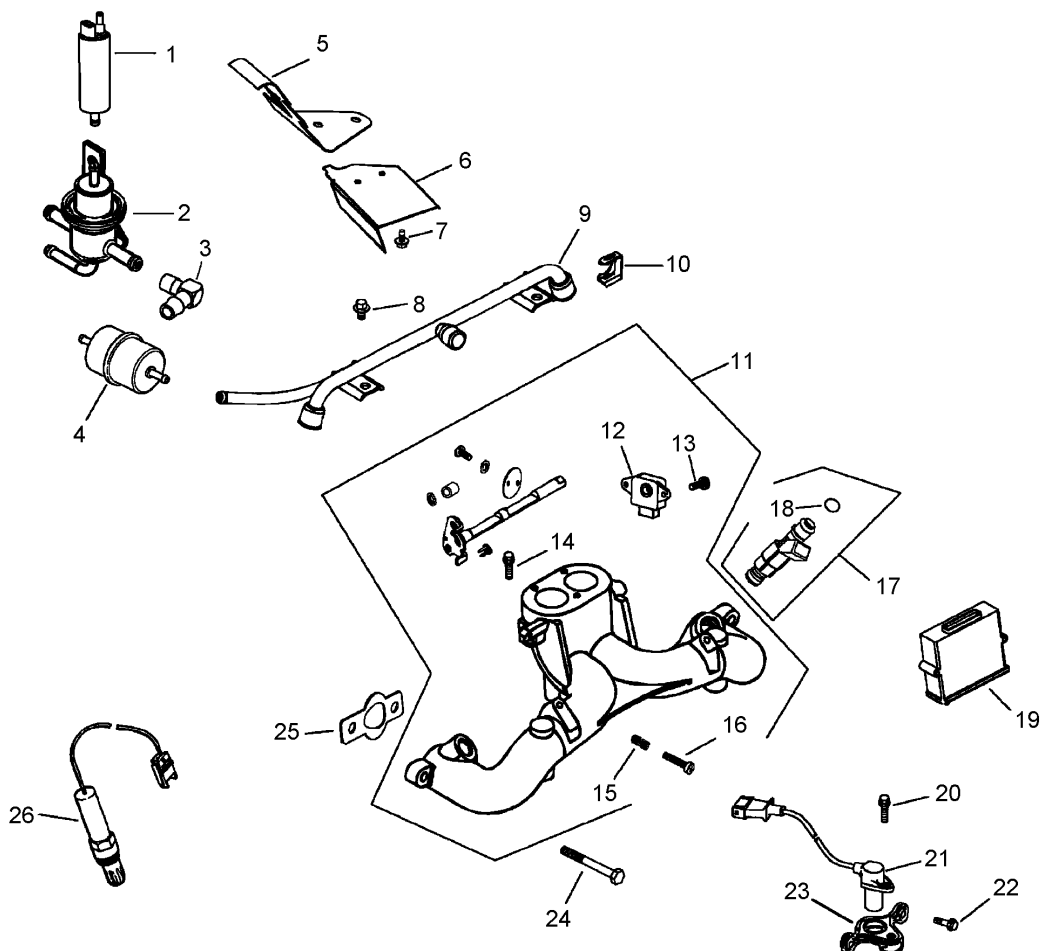


## Blower Housing and Baffle Assembly Kohler CH745-0012

| Ref | Part No.     | Qty. | Description  |
|-----|--------------|------|--|
| 1   | 24 027 167-S | 1    | Blower Housing ASM (Includes 2-5)  |
| 2   | 24 100 02-S  | 1    | Nut-Plastic  |
| 3   | 25 086 43-S  | 1    | Screw-Set  |
| 4   | 24 100 01-S  | 4    | Nut-Plastic  |
| 5   | 25 755 20-S  | 1    | Access Cover Kit (Includes 6, 7)   |
| 6   | 25 154 02-S  | 4    | Clip   |
| 7   | 24 096 63-S  | 2    | Panel-Access   |
| 8   | M-551016-S   | 1    | Screw-HF (M5X0.8X16)   |
| 9   | M-545016-S   | 1    | Screw-HF (M5X0.8X16)   |
| 10  | M-545020-S   | 4    | Screw-HF (M5X0.8X20)   |
| 11  | 24 146 19-S  | 1    | Plate-Backing (No. 2 Side)   |
| 12  | M-645016-S   | 10   | Screw-HF (M6X1.0X16)   |
| 13  | 24 063 39-S  | 1    | Baffle-Barrel, Cylinder (No. 2 Side)   |
| 14  | 24 063 70-S  | 1    | Baffle-Valley (No. 2 Side)   |
| 15  | M-550010-S   | 2    | Screw-HF (M5X0.8X10)   |
| 16  | 24 063 59-S  | 1    | Baffle-Valley (No. 1 Side)   |
| 17  | 24 063 58-S  | 1    | Baffle-Barrel, Cylinder (No. 1 Side)   |
| 18  | 24 146 20-S  | 1    | Plate-Backing (No. 1 Side)   |
| 19  | X-22-11-S*   | 1    | Washer-Lock, 1/4In (Used With M-561016-S Screw To Ground Ignition Coil Lead) |

| Ref | Part No.     | Qty. | Description   |
|-----|--------------|------|---|
| 19  | M-561016-S*  | 1    | Screw-Forming, Thread (M5X0.8X16) (Used With X-22-11-S Washer To Ground Ignition Coil Lead) |
| 19  | 24 113 133-S | 1    | Decal-26Hp  |
| 19  | 25 113 39-S  | 1    | Decal-Lamination, Clear   |

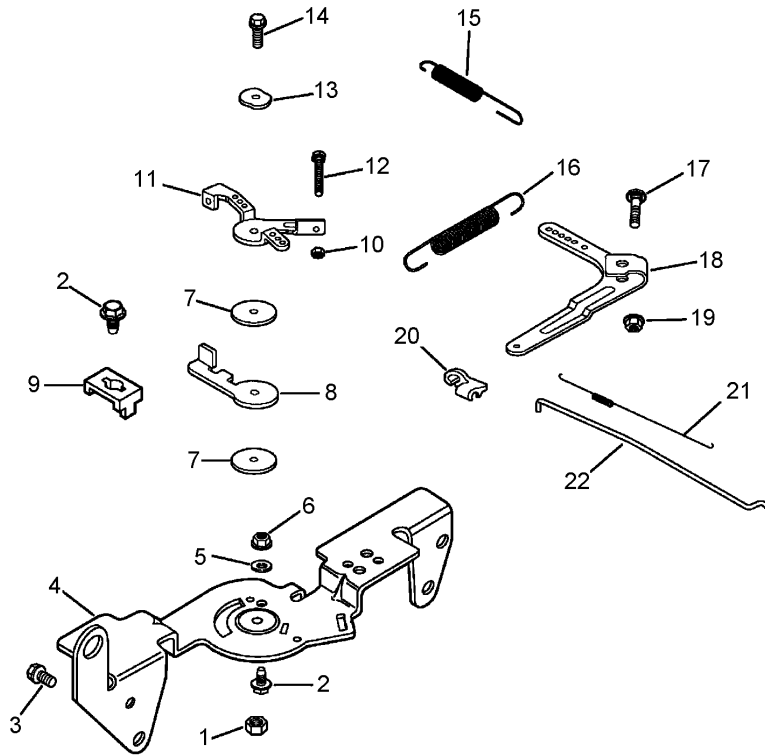




## Fuel System Assembly Kohler CH745-0012

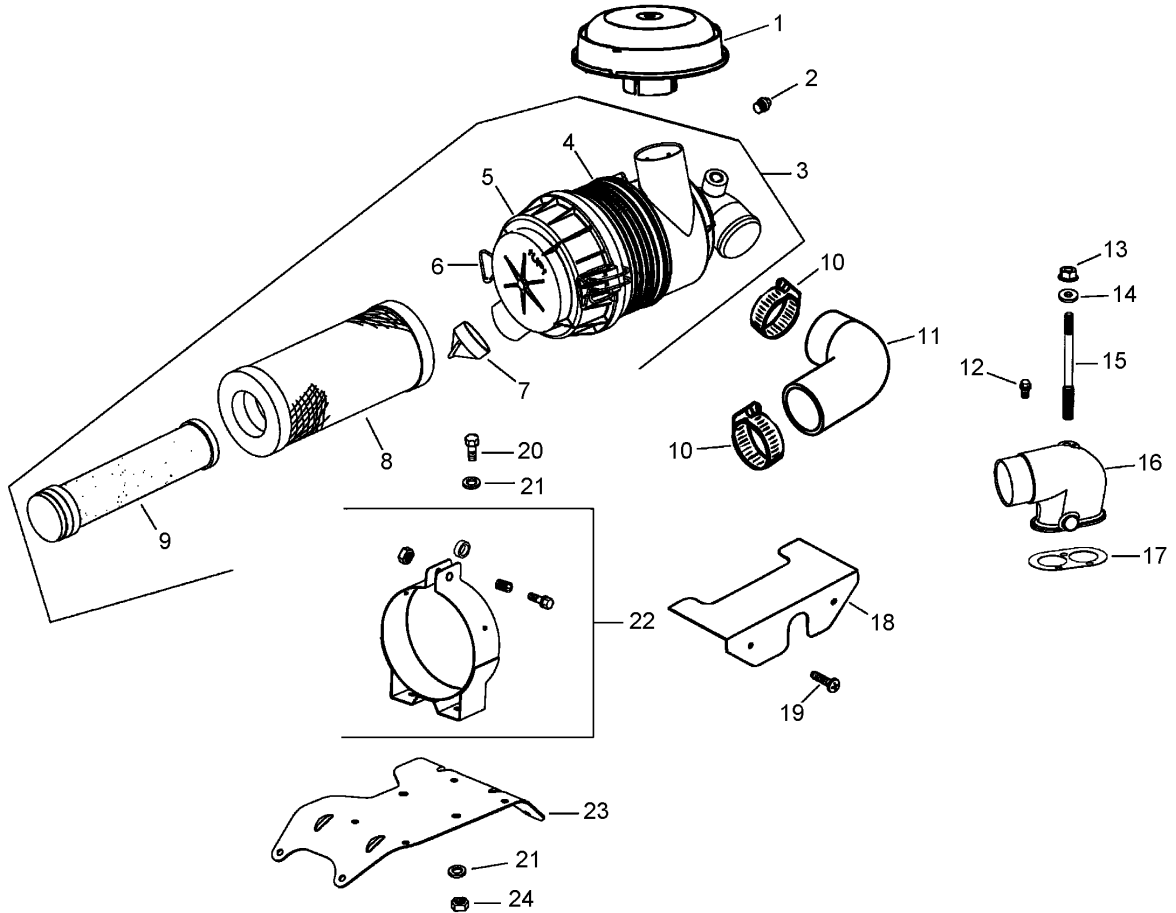
| Ref | Part No.    | Qty. | Description  |
|-----|-------------|------|--|
| ❶   | 24 393 20-S | 1    | Fuel Pump ASM (Includes 24 050 06-S)                 |
| ❷   | 24 403 17-S | 1    | Fuel Pressure Regulator ASM                          |
| ❸   | 25 155 38-S | 1    | Connector-Hose                                       |
| ❹   | 24 050 03-S | 1    | Filter-Fuel  |
| ❺   | 24 063 37-S | 1    | Baffle-Valley  |
| ❻   | 24 265 08-S | 1    | Deflector-Air  |
| ❼   | M-545010-S  | 2    | Screw-HF (M5X0.8X10)                                 |
| ❽   | M-639010-S  | 3    | Screw-HF   |
| ❾   | 24 399 04-S | 1    | Rail-Fuel  |
| ❿   | 24 154 05-S | 2    | Clip-Injector, Fuel                                  |
| ⓫   | 24 164 84-S | 1    | Intake Manifold ASM (Includes 18-22 And 25 454 03-S) |
| ⓬   | 24 418 06-S | 1    | Sensor-Position,Throttle                             |
| ⓭   | M-442012-S  | 2    | Screw-Head, Pan                                      |
| ⓮   | 24 086 49-S | 1    | Screw-Set  |
| ⓯   | 12 089 11-S | 1    | Spring-Control, Speed                                |
| ⓰   | M-442025-S  | 1    | Screw-HH   |
| ⓱   | 24 331 02-S | 2    | Injector-Fuel (Includes 24)                          |
| ⓲   | 24 153 26-S | 2    | O Ring-Injector, Fuel                                |
| ⓳   | 24 584 29-S | 1    | Control Unit-Electronic (Ecu)                        |
| ⓴   | 24 086 42-S | 1    | Screw-HF   |
| ⓵   | 24 418 03-S | 1    | Sensor-Speed, Engine                                 |
| ⓶   | M-545016-S  | 1    | Screw-HF (M5X0.8X16)                                 |

| Ref | Part No.     | Qty. | Description                           |
|-----|--------------|------|---------------------------------------|
| ⓷   | 24 126 131-S | 1    | Bracket-Sensor, Speed                 |
| ⓸   | M-639025-S   | 4    | Screw-HF                              |
| ⓹   | 24 041 01-S  | 2    | Gasket-Manifold, Intake               |
| ⓺   | 24 418 05-S  | 1    | Sensor-Oxygen                         |
| ⓻   | M-561016-S   | 1    | Screw                                 |
| ⓼   | X-25-79-S    | 1    | Washer-Plain                          |
| ⓽   | 24 050 06-S  | 1    | Filter-Strainer, Fuel                 |
| ⓾   | X-22-9-S     | 1    | Washer-Lock                           |
| ⓿   | 24 176 122-S | 1    | Harness-Wiring (Includes 24 404 02-S) |
| ⓿   | 25 454 04-S  | 1    | Tie-Wire                              |
| ⓿   | 24 113 78-S  | 1    | Decal-Warning, Fuel                   |



## Engine Control Assembly Kohler CH745-0012

| Ref | Part No.    | Qty. | Description                  |  |  |  |  |
|-----|-------------|------|------------------------------|--|--|--|--|
| ❶   | M-547050-S  | 1    | Nut-Lock, Hex (M5X0.8)       |  |  |  |  |
| ❷   | M-545016-S  | 3    | Screw-HF (M5X0.8X16)         |  |  |  |  |
| ❸   | M-645016-S  | 4    | Screw-HF (M6X1.0X16)         |  |  |  |  |
| ❹   | 24 126 56-S | 1    | Bracket-Control              |  |  |  |  |
| ❺   | X-20-1-S    | 1    | Washer-Lock (1/4In)          |  |  |  |  |
| ❻   | M-541050-S  | 1    | Nut-HF (M5X0.8)              |  |  |  |  |
| ❼   | 24 468 01-S | 2    | Washer-Plain                 |  |  |  |  |
| ❽   | 24 090 07-S | 1    | Lever-Actuator, Throttle     |  |  |  |  |
| ❾   | 12 237 01-S | 1    | Clamp-Cable                  |  |  |  |  |
| ❿   | M-446030-S  | 1    | Nut-HF (M4X0.7)              |  |  |  |  |
| ⓫   | 24 090 03-S | 1    | Lever-Control, Throttle      |  |  |  |  |
| ⓬   | M-401030-S  | 1    | Screw (M4X0.7X30)            |  |  |  |  |
| ⓭   | 41 468 03-S | 1    | Washer                       |  |  |  |  |
| ⓮   | M-545020-S  | 1    | Screw-HF (M5X0.8X20)         |  |  |  |  |
| ⓯   | 24 089 51-S | 1    | Spring-Limiter, Throttle     |  |  |  |  |
| ⓰   | 24 089 48-S | 1    | Spring-Governor              |  |  |  |  |
| ⓱   | 24 211 03-S | 1    | Bolt-Square Neck, Round Head |  |  |  |  |
| ⓲   | 24 090 33-S | 1    | Lever-Governor               |  |  |  |  |
| ⓳   | M-641060-S  | 1    | Nut-HF                       |  |  |  |  |
| ⓴   | 25 158 11-S | 1    | Bushing-Linkage              |  |  |  |  |
| ⓵   | 24 089 32-S | 1    | Spring-Linkage               |  |  |  |  |
| ⓶   | 24 079 13-S | 1    | Linkage-Throttle             |  |  |  |  |



## Air Intake and Filtration Assembly Kohler CH745-0012

| Ref | Part No.     | Qty. | Description                      |
|-----|--------------|------|----------------------------------|
| ❶   | 25 324 02-S  | 1    | Hood-Cleaner, Air                |
| ❷   | 25 139 20-S  | 1    | Plug-Pipe                        |
| ❸   | 25 048 07-S  | 1    | Air Cleaner ASM (Includes 4-9)   |
| ❹   | 25 081 01-S  | 1    | Housing-Air Cleaner, Heavy Duty  |
| ❺   | 25 096 06-S  | 1    | Cover ASM (Includes 6, 7)        |
| ❻   | 25 154 05-S  | 2    | Clip                             |
| ❼   | 24 462 07-S  | 1    | Valve-Ejector, Dust              |
| ❽   | 25 083 01-S  | 1    | Element-Air, Primary             |
| ❾   | 25 083 04-S  | 1    | Element-Air, Safety              |
| ❿   | 25 237 21-S  | 2    | Clamp-Hose                       |
| ⓫   | 24 326 32-S  | 1    | Hose-Cleaner, Air                |
| ⓬   | M-644025-S   | 2    | Screw-HSH                        |
| ⓭   | M-641060-S   | 2    | Nut-HF                           |
| ⓮   | 25 468 01-S  | 1    | Washer-Copper                    |
| ⓯   | M-629122-S   | 1    | Stud-Carburetor                  |
| ⓰   | 24 029 60-S  | 1    | Adapter-Air Cleaner, Remote      |
| ⓱   | 24 041 36-S  | 1    | Gasket-Base, Air Cleaner         |
| ⓲   | 24 314 28-S  | 1    | Shield-Debris                    |
| ⓳   | 24 086 06-S  | 2    | Screw-Head, Phillips (11-16X3/4) |
| ⓴   | M-639016-S   | 2    | Screw-HF (M6X1.0X16)             |
| ⓵   | X-25-73-S    | 1    | Washer-Plain                     |
| ⓶   | 25 126 02-S  | 1    | Air Cleaner Bracket ASM          |
| ⓷   | 24 126 142-S | 1    | Bracket-Cleaner, Air             |
| ⓸   | M-647060-S   | 2    | Nut                              |

| Ref | Part No.    | Qty. | Description        |
|-----|-------------|------|--------------------|
| ❶   | 25 113 27-S | 1    | Decal-Cleaner, Air |



## Attachments and Accessories

For 74255 - Z588E Z Master, With 60in TURBO FORCE Side Discharge Mower

| Product Name                        | Model/Part  |
|-------------------------------------|-------------|
| Blade-Mid Flow, 20.5 Inch .....     | 105-7715-03 |
| Blade-Lo Flow, 20.5 Inch .....      | 105-7716-03 |
| Blade-Hi Flow, 20.5 Inch .....      | 105-7718-03 |
| Blade-Recycler, 20.5 Inch .....     | 105-7777-03 |
| Blade-Atomic, 20.5 Inch .....       | 105-8777-03 |
| 60 Inch Recycler Kit .....          | 107-1611    |
| 6 Pack Blade, 20.5in Hi-Flow .....  | 108-1114    |
| 6 Pack-Blade, 20.5in Atomic .....   | 108-1115    |
| 6 Pack Blade, 20.5in Mid-Flow ..... | 108-1123    |
| 6 Pack-Blade, 20.5in Lo Flow .....  | 108-1128    |
| 6 Pack-Blade, 20.5in Recycler ..... | 110-0405    |
| Retractable Seatbelt Kit .....      | 110-0883    |
| Hitch Kit .....                     | 99-8925     |

# NOTES

# NOTES

# NOTES

