



11-Blade Cutting Unit Greensmaster® Flex™ 21

Model No. 04200 - 260006001 and up.

Parts Catalog

Ordering Replacement Parts

To order replacement parts, please supply the part number, the quantity, and the description of each part desired.

Understanding Reference Numbers

Each identified part in an illustration has a reference number. The reference number for a part also appears in the parts list, along with other information about the part.

This catalog uses two special reference number formats, one to indicate parts in a service assembly and another to indicate the quantity of a given part in an illustration.

Service Assembly Reference Numbers

Parts in service assemblies have reference numbers in the form a:b. The a represents the reference number of the entire service assembly and the b represents a sequential number unique to each part within the service assembly.

For example, a wheel assembly might be identified by reference number 6, the tire by 6:1, the valve by 6:2, and the wheel by 6:3. When you order the assembly identified by reference number 6, you receive all parts identified by reference numbers 6:1, 6:2, and 6:3. However, you may also order any part individually. Reference numbers of this type appear in illustrations and in part lists.

Reference Numbers Indicating Quantity

In an illustration, if a reference number indicates more than one part, the reference number has the form nX y. The n represents the quantity of the part, the X is the multiplication symbol, and the y represents the reference number.

For example, in an illustration, the reference number 2X 37 means that two of the parts identified by reference number 37 are indicated.

Contents

Description	Page	Description	Page
Right and Left Side Plate Assembly 3	Roller Assembly 6
Reel Assembly 4	Roller Seal Rebuild Kit Assembly No. 107-1594 7
Reel Seal Rebuild Kit Assembly No. 108-3160 5	Reel Drive Assembly 8
		Attachments and Accessories List 9

Part Description Abbreviations

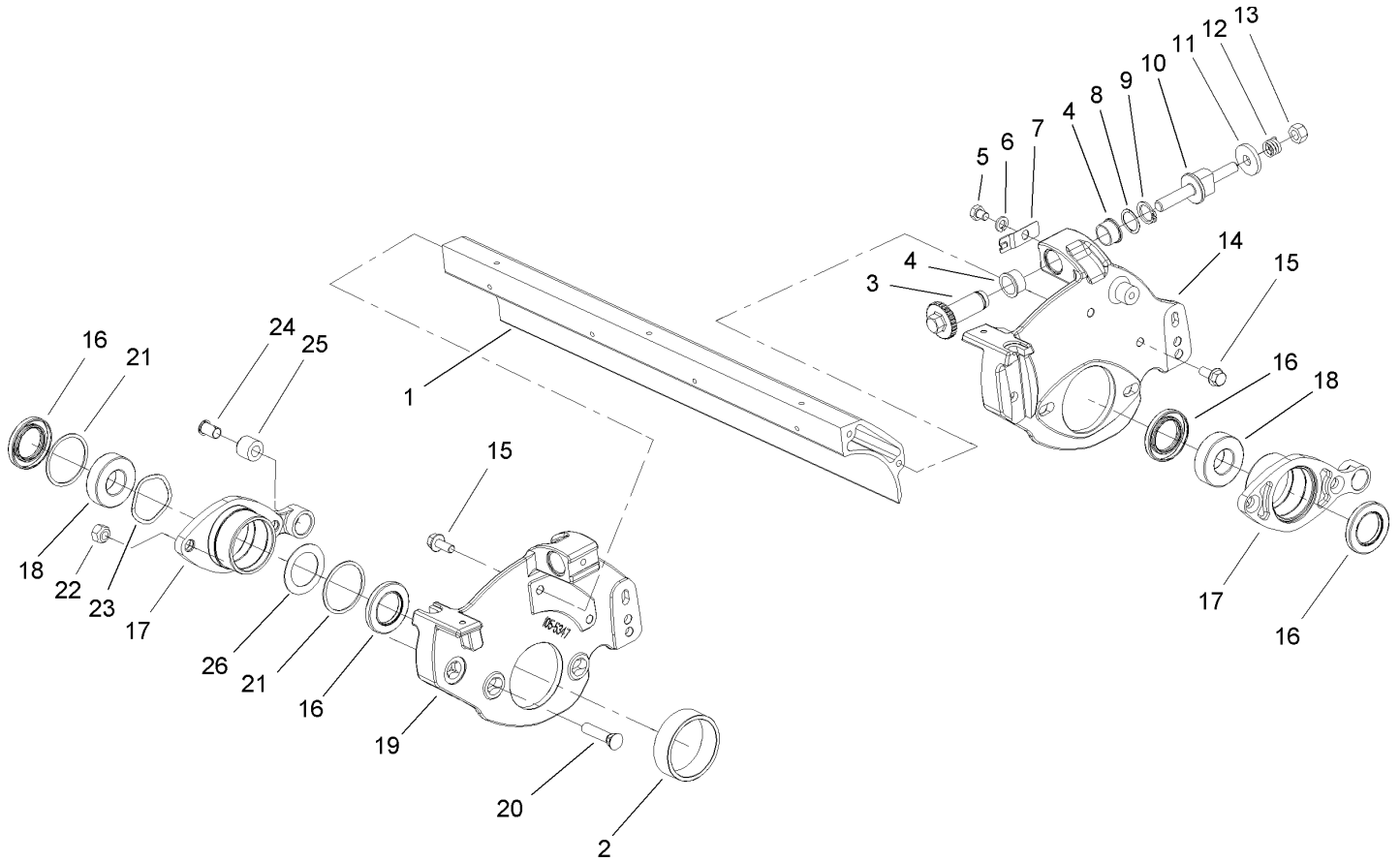
Part descriptions in this catalog may include the following abbreviations.

AR. as required	HYD. hydraulic
ASM. assembly	LH. left hand
BBC. blade brake clutch	NI. nylon insert
CARR. carriage	NPTF. national pipe thread fine
DEG. degrees	PFH. phillips flat head
EXT. external	PPH. phillips pan head
FH. flat head	PPHTF. phillips pan head thread forming
GA. gauge	PRH. phillips round head
HD. heavy-duty	PTH. phillips truss head
HF. hex flange	PTO. power-take-off
HH. hex head	RH. right hand
HHF. hex head flange	ROPS. roll-over protection system
HHFTF. hex head flange thread forming	SFH. slotted fillister head
HJ. hex jam	SHH. slotted hex head
HLH. hex lag head	SHWH. slotted hex washer head
HOC. height-of-cut	SPH. slotted pan head
HSBH. hex socket button head	SQH. square head
HSFH. hex socket flat head	SRH. slotted round head
HSH. hex socket head	STD. standard
HWH. hex washer head	TAP. self tapping
HWHTF. hex washer head thread forming	TTH. torx truss head

Footnotes

❶ Not illustrated

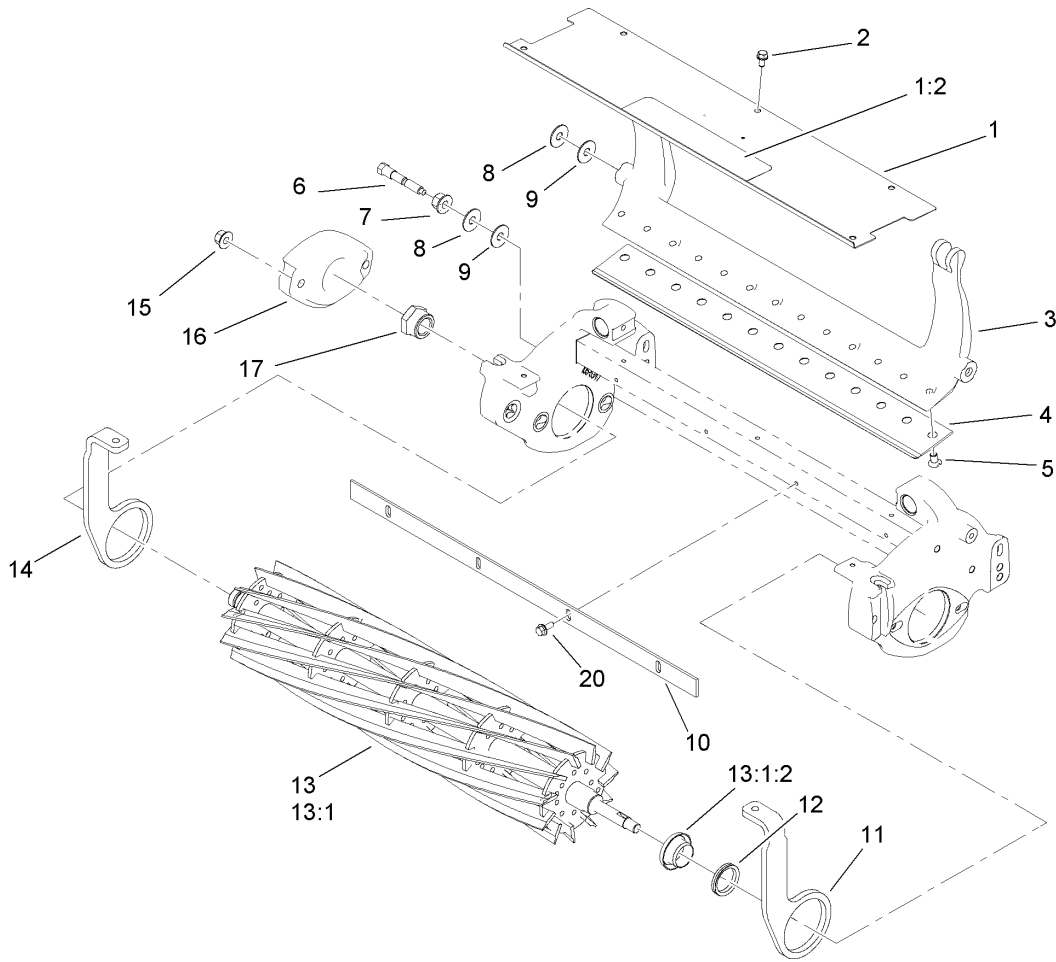
❷ Not serviced separately



Right and Left Side Plate Assembly

Ref	Part No.	Qty.	Description
1	106-4692	1	Frame-Shield, Extrusion
2	106-4691	2	Bushing-Pitch
3	106-5363	2	Shaft-Adjuster
4	256-252	4	Bearing-Flange
5	33114-010	2	Screw-HH
6	3253-4	2	Washer-Lock
7	99-2097	2	Detent
8	106-5335	2	Washer-Wave
9	32120-93	2	Ring-Retaining, EXT
10	99-2096	2	Screw-Adjuster, Bedbar
11	99-2098	2	Washer
12	99-3755	2	Spring-Compression
13	33025-00	2	Nut-Lock
14	105-5348	1	Plate-Side, LH
15	33104-020	4	Screw-HHF
16	107-3233	4	Seal-Oil
17	107-7631	2	Housing-Bearing, Reel
18	251-342	2	Bearing-Ball
19	105-5347	1	Plate-Side, RH
20	105-5342	4	Bolt-Plow
21	32151-92	2	Ring-Retaining
22	105-5344	4	Nut-Tapered
23	3290-485	1	Washer-Wave
24	52-2890	2	Bushing-Nylon

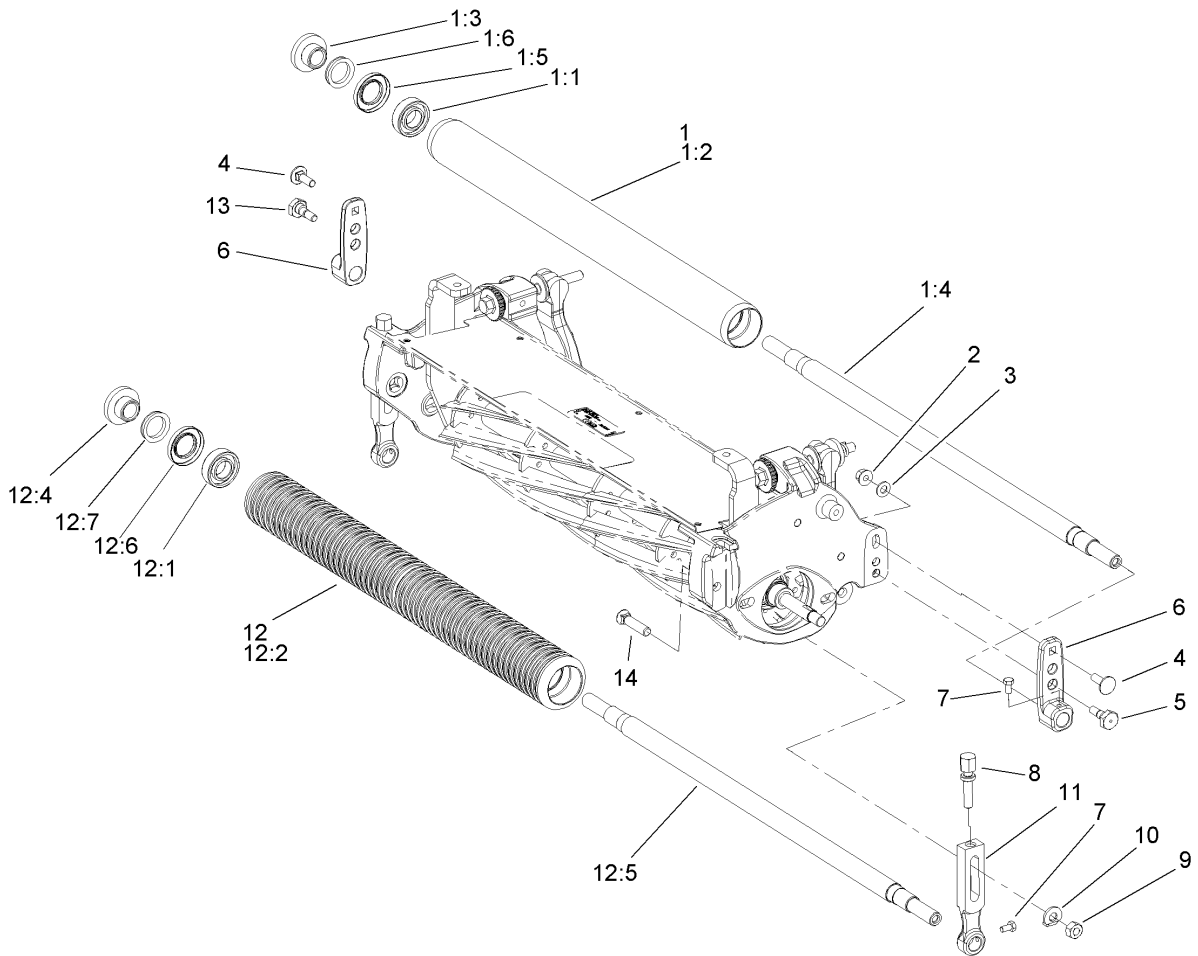
Ref	Part No.	Qty.	Description
25	63-9510	2	Bushing
26	105-9943	1	Washer-Thrust



Reel Assembly

Ref	Part No.	Qty.	Description
1	104-2632	1	Grass Shield ASM
1:2	84-6560	1	Decal-Warning (Japan)
1:2	93-8064	1	Decal-Danger, Ce
2	104-2628	5	Screw-HWH
3	99-3794-01	1	Bedbar
4	108-4303	1	Bedknife-Microcut, Extended
4	93-4262	1	Bedknife-Microcut
4	93-4263	1	Bedknife-Tournament Cut
4	93-4264	1	Bedknife-Low Cut
5	57-4910	13	Screw-Special
6	65-6270	2	Bolt-Bedbar
7	32128-48	2	Nut-HHF
8	52-2860	4	Washer
9	52-2900	4	Washer-Plastic
10	106-6924-03	1	Bar-Cutoff
11	108-4347-01	1	Arm-Pitch, LH
12	107-3238	2	V-Ring
13	107-7635	1	11 Blade Reel ASM
①13	107-7634	1	8 Blade Reel ASM
②13:1		1	11 Blade Reel ASM
①②13:1		1	8 Blade Reel ASM
13:1:2	108-3150	2	Sleeve ASM
14	108-4348-01	1	Arm-Pitch, RH
15	104-2611	2	Nut-HF

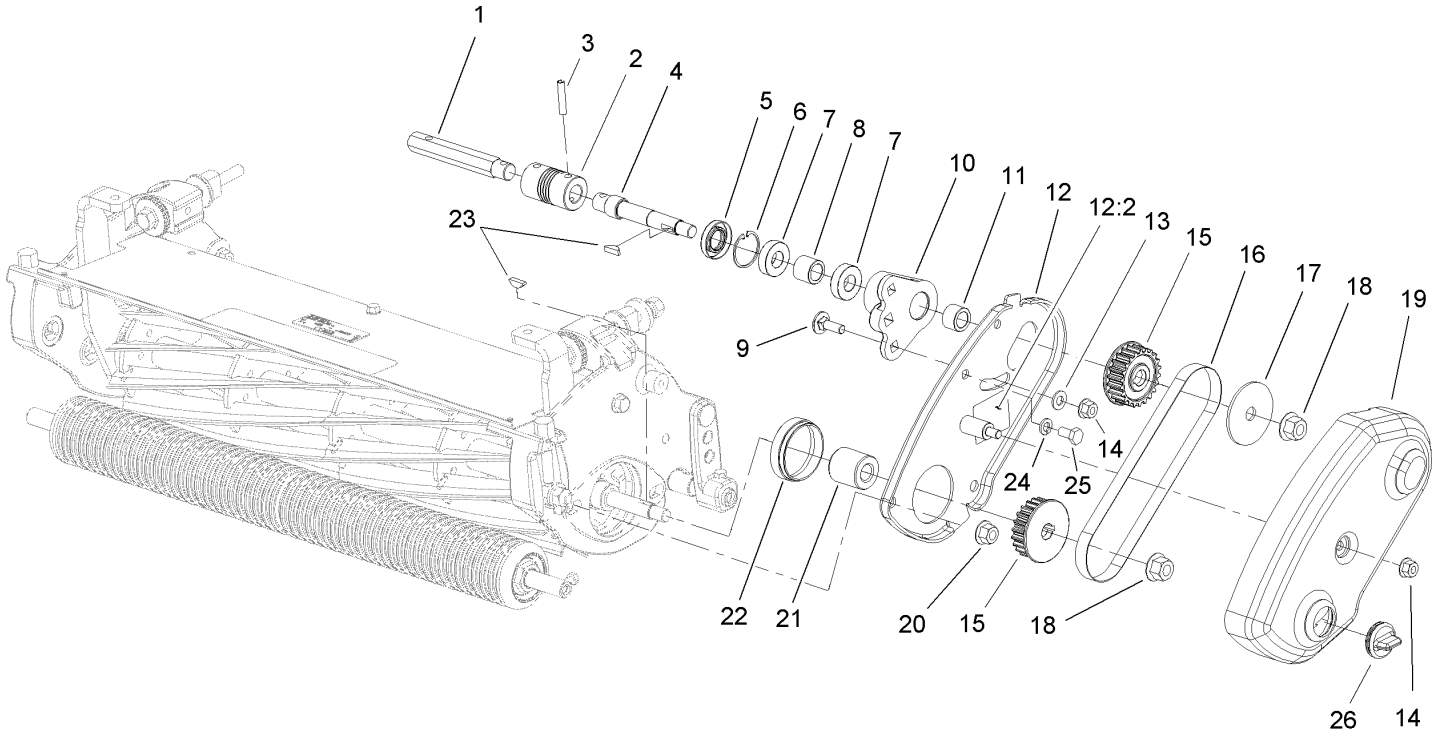
Ref	Part No.	Qty.	Description
16	104-0534-03	1	Weight-Reel
17	107-3227	1	Nut-Bearing, Lock
20	33103-016	4	Screw-HHF
①21	108-3160	1	Reel Seal Rebuild Kit



Roller Assembly

Ref	Part No.	Qty.	Description
1	107-9036	1	Rear Roller ASM
1:1	251-347	2	Bearing-Ball
1:2	99-3841	1	Roller-Full
1:3	108-3151	2	Nut-Lock, Bearing
1:4	106-6940	1	Shaft-Roller
1:5	106-6941	2	Seal
1:6	106-6942	2	V-Ring
2	104-2612	4	Nut-HF
3	3256-23	4	Washer-Flat
4	33124-025	2	Screw-CARR
5	105-3834	1	Bolt-Shoulder
6	99-3792	2	Bracket-Roller, Rear
7	33113-012	4	Screw-HH
8	110-7352	2	Screw-HOC
9	106-4668	2	Nut-Lock
10	104-2603	2	Washer-HOC
11	110-7351	2	Arm-HOC
12	107-9037	1	Wiehle Roller ASM
12:1	251-347	2	Bearing-Ball
12:2	104-0540	1	Roller-Wiehle
12:4	108-3151	2	Nut-Lock, Bearing
12:5	106-6940	1	Shaft-Roller
12:6	106-6941	2	Seal
12:7	106-6942	2	V-Ring

Ref	Part No.	Qty.	Description
13	105-3833	1	Bolt-Eccentric
14	105-5342	2	Bolt-Plow
15	107-1594	1	Roller Seal Rebuild Kit



Reel Drive Assembly

Ref	Part No.	Qty.	Description
1	99-3760	1	Shaft-Hex
2	99-3757	1	Coupling-Flex
3	32121-69	2	Pin-Spring
4	99-3756	1	Shaft
5	107-3205	1	Seal-Oil
6	32151-51	1	Ring-Retaining
7	251-336	2	Bearing-Ball
8	99-2079	1	Spacer
9	33124-025	2	Screw-CARR
10	99-2083	1	Housing-Bearing
11	99-2080	1	Spacer
12	104-2631	1	Reel Drive Plate ASM
12:2	93-9356	1	Decal-Warning, Belt
12:2	93-9389	1	Decal-Warning, Belt (Japan)
13	3256-23	2	Washer-Flat
14	104-2612	3	Nut-HF
15	107-9044	2	Pulley-22 Tooth
16	99-2022	1	Belt
17	104-0532	1	Washer-Pulley
18	104-2610	2	Nut-HF
19	99-3793	1	Cover-Drive, Reel
20	104-2611	2	Nut-HF
21	107-3228	1	Spacer-Seal
22	99-2087	1	Spacer

Ref	Part No.	Qty.	Description
23	3257-30	2	Key-Woodruff
24	3253-4	1	Washer-Lock
25	33114-016	1	Screw-HH
26	105-2438	1	Plug

Attachments and Accessories

For 04200 - 11-Blade Cutting Unit, Greensmaster Flex 21

Product Name	Model/Part
Groomer Kit	04204
Wiehle Roller Scraper Kit (.20 Spacing)	106-4661
Wiehle Roller Scraper Kit (.93 Spacing)	106-4662
Full Roller Scraper Kit	106-4663
Full Roller Scraper / Brush Kit	106-4664
High Height-of-Cut Kit	106-4699
Roller Seal Replacement Kit	107-1594
8 Blade Reel ASM	107-7634
11 Blade Cutting Unit	107-7641
Wide Wiehle Roller Kit	107-9038
Full Roller Kit	107-9039
Reel Seal Rebuild Kit	108-3160
Extended Microcut Bed Knife	108-4303
Roller Extension Kit	108-4333
Bedknife-Tournament Cut	93-4263
Bedknife-Low Cut	93-4264
Height-of-Cut Bar ASM	94-9010

NOTES

NOTES

