



## Conversion Kit

### 72in Guardian<sup>®</sup> Recycler<sup>®</sup> to Rear-Discharge for Groundsmaster<sup>®</sup> 3320 and 3280-D

Model No. 108-1902

## Parts Catalog

### Ordering Replacement Parts

To order replacement parts, please supply the part number, the quantity, and the description of each part desired.

### Understanding Reference Numbers

Each identified part in an illustration has a reference number. The reference number for a part also appears in the parts list, along with other information about the part.

This catalog uses two special reference number formats, one to indicate parts in a service assembly and another to indicate the quantity of a given part in an illustration.

### Service Assembly Reference Numbers

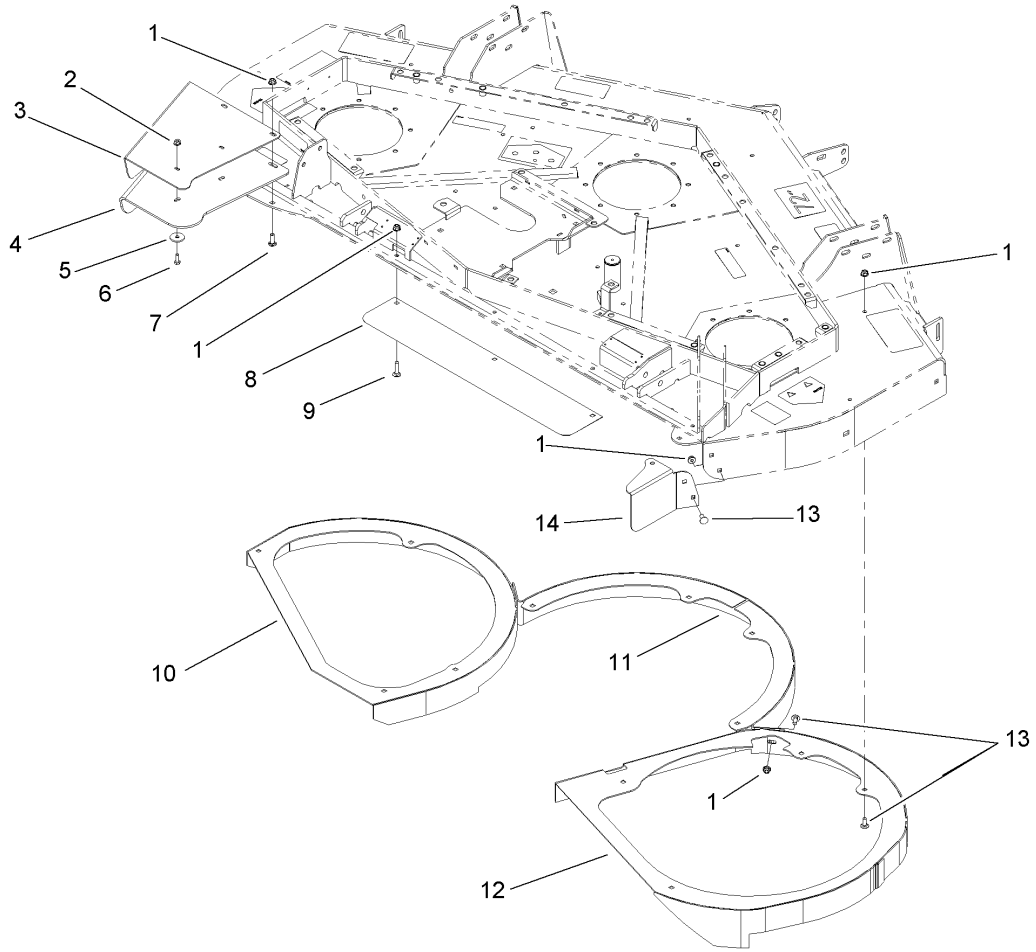
Parts in service assemblies have reference numbers in the form a:b. The a represents the reference number of the entire service assembly and the b represents a sequential number unique to each part within the service assembly.

For example, a wheel assembly might be identified by reference number 6, the tire by 6:1, the valve by 6:2, and the wheel by 6:3. When you order the assembly identified by reference number 6, you receive all parts identified by reference numbers 6:1, 6:2, and 6:3. However, you may also order any part individually. Reference numbers of this type appear in illustrations and in part lists.

### Reference Numbers Indicating Quantity

In an illustration, if a reference number indicates more than one part, the reference number has the form nX y. The n represents the quantity of the part, the X is the multiplication symbol, and the y represents the reference number.

For example, in an illustration, the reference number 2X 37 means that two of the parts identified by reference number 37 are indicated.



## Conversion Kit

Ref	Part No.	Qty.	Description
1	104-8300	24	Nut-Flange, NI
2	32128-32	3	Nut-HHF
3	108-1992-03	1	Bracket-Support
4	108-1979	1	Deflector-Rubber
5	105-3048	3	Washer-Flat
6	321-4	3	Screw-HH
7	3230-22	4	Screw-CARR
8	107-4742-01	1	Deflector-Rear
9	3230-3	3	Screw-CARR
10	110-0609-01	1	LH Chamber ASM
11	110-0612-01	1	Center Chamber ASM
12	110-0615-01	1	RH Chamber ASM
13	3230-23	17	Screw-CARR
14	108-1346-01	1	Shield-Foot, Right

--	--	--	--