



Commercial Walk-Behind Mower Fixed Deck, Pistol Grip, Hydro Drive with 48in TURBO FORCE[®] Cutting Unit

Model No. 30988 - 260000001 and up.

Parts Catalog

Ordering Replacement Parts

To order replacement parts, please supply the part number, the quantity, and the description of each part desired.

Understanding Reference Numbers

Each Identified part in an illustration has a reference number. The reference number for a part also appears in the parts list, along with other information about the part.

This catalog uses two special reference number formats, one to indicate parts in a service assembly and another to indicate the quantity of a given part in an illustration.

Service Assembly Reference Numbers

Parts in service assemblies have reference numbers in the form a:b. The a represents the reference number of the entire service assembly and the b represents a sequential number unique to each part within the service assembly.

For example, a wheel assembly might be identified by reference number 6, the tire by 6:1, the valve by 6:2, and the wheel by 6:3. When you order the assembly identified by reference number 6, you receive all parts identified by reference numbers 6:1, 6:2, and 6:3. However, you may also order any part individually. Reference numbers of this type appear in illustrations and in part lists.

Reference Numbers Indicating Quantity

In an illustration, if a reference number indicates more than one part, the reference number has the form nX y. The n represents the quantity of the part, the X is the multiplication symbol, and the y represents the reference number.

For example, in an illustration, the reference number 2X 37 means that two of the parts identified by reference number 37 are indicated.

Contents

Description	Page	Description	Page
Engine and Fuel Tank Assembly 3	Valve and Camshaft Assembly Kawasaki FH541V-BS23-R 24
Drive Assembly 4	Lubrication Equipment Assembly Kawasaki FH541V-BS23-R 26
Parking Brake Assembly 6	Cooling Equipment Assembly Kawasaki FH541V-BS23-R 28
Frame and Wheel Assembly 7	Electric Equipment Assembly Kawasaki FH541V-BS23-R 30
Hydraulic Assembly 8	Control Equipment Assembly Kawasaki FH541V-BS23-R 32
Hydraulic Pump Assembly No. 106-5490 9	Carburetor Assembly Kawasaki FH541V-BS23-R 34
Pivot and Linkage Assembly 10	Air Filter and Muffler Assembly Kawasaki FH541V-BS23-R 36
Handle and Control Assembly 11	Fuel Tank and Valve Assembly Kawasaki FH541V-BS23-R 37
Control Handle Assembly No. 110-6907 13	Starter Assembly Kawasaki FH541V-BS23-R 38
Deck Assembly 14	Label Assembly Kawasaki FH541V-BS23-R 40
Deck Decal Assembly No. 110-4909 15	Attachments and Accessories List 41
Deflector Assembly No.110-0758 16		
Sheave, Spindle and Blade Assembly 17		
Idler Assembly 18		
Castor Assembly 19		
Cylinder and Crankcase Assembly Kawasaki FH541V-BS23-R 20		
Piston and Crankshaft Assembly Kawasaki FH541V-BS23-R 22		

Part Description Abbreviations

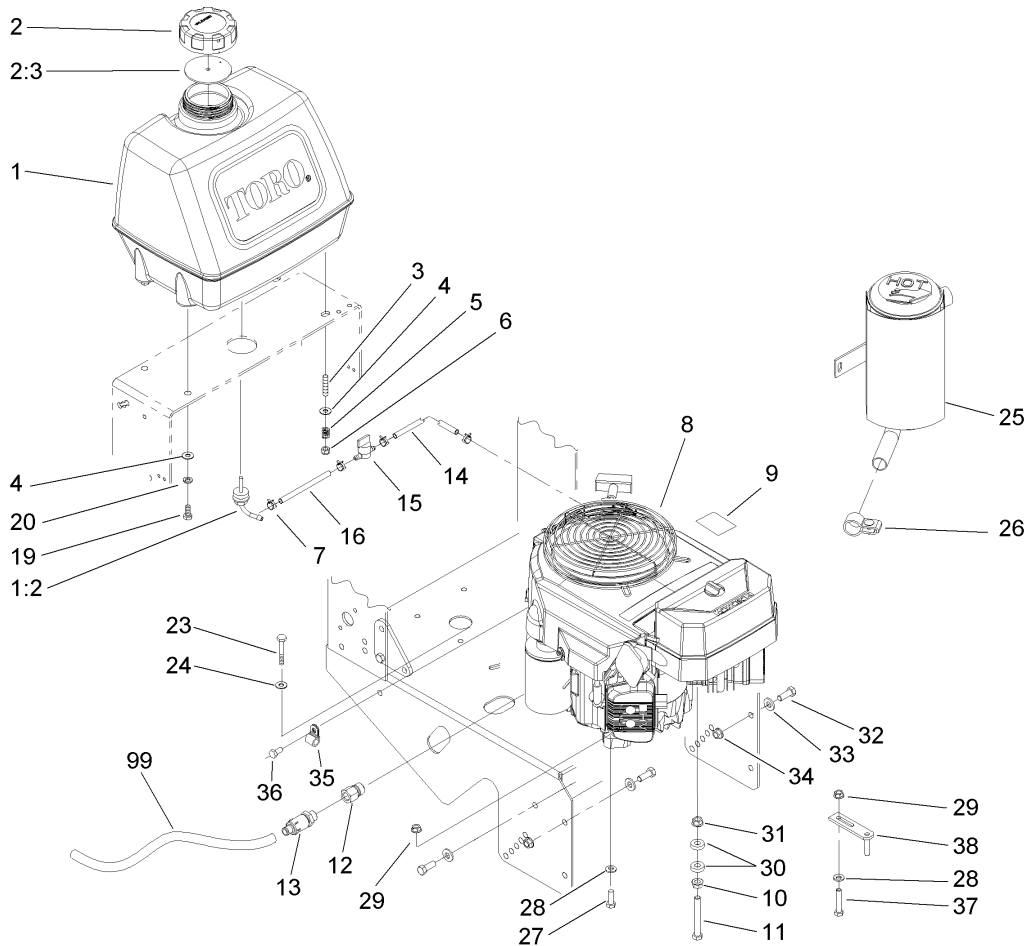
Part descriptions in this catalog may include the following abbreviations.

AR. as required	INC. incorporated
ASM. assembly	LH. left hand
BBC. blade brake clutch	NI. nylon insert
CARR. carriage	NPTF. national pipe thread fine
DEG. degrees	PFH. phillips flat head
EXT. external	PPH. phillips pan head
FH. flat head	PPHTF. phillips pan head thread forming
GA. gauge	PRH. phillips round head
HF. hex flange	PTH. phillips truss head
HH. hex head	PTO. power-take-off
HHF. hex head flange	RH. right hand
HHFTF. hex head flange thread forming	ROPS. roll-over-protection-system
HJ. hex jam	SFH. slotted fillister head
HLH. hex lag head	SHH. slotted hex head
HOC. height-of-cut	SHWH. slotted hex washer head
HSBH. hex socket button head	SPH. slotted pan head
HSFH. hex socket flat head	SQH. square head
HSH. hex socket head	SRH. slotted round head
HWH. hex washer head	STD. standard
HWHTF. hex washer head thread forming	TAP. self tapping
HYD. hydraulic	TTH. torx truss head

Footnotes

- ❶ Not illustrated
- ❸ Obtain from your local Kawasaki dealer

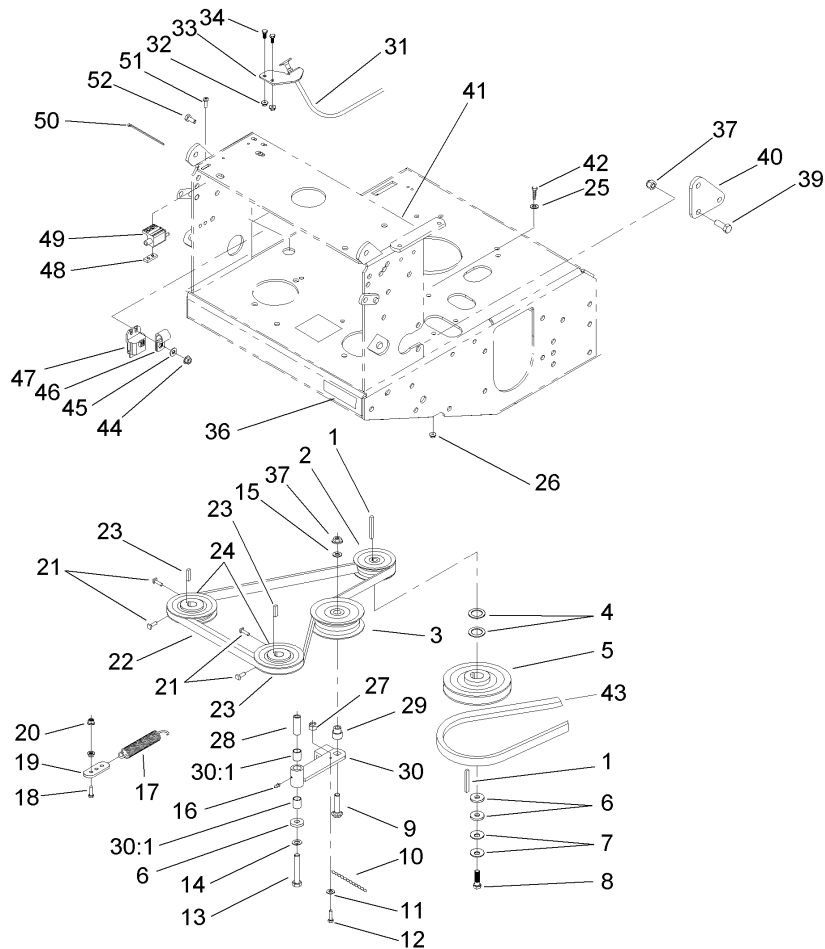
- ❷ Not serviced separately



Engine and Fuel Tank Assembly

Ref	Part No.	Qty.	Description
1	106-0730	1	Fuel Tank ASM
1:2	103-2605	1	Fitting-Fuel, Bulkhead
2	88-3980	1	Gas Cap ASM
2:3	88-4010	1	Gasket-Cap, Gas
3	1-633023	2	Stud
4	3256-23	4	Washer-Flat
5	1-633349	2	Spring-Tank, Fuel
6	3296-47	2	Nut-Lock, NI
7	1-303077	4	Clamp
8		1	Engine-Kawasaki, FH541V-Bs23-R
9	106-0699	1	Decal-Warning, Hot Surfaces
10	32128-21	1	Nut-HF
11	323-14	1	Screw-HH
12	103-1966	1	Adapter
13	92-6877	1	Valve-Drain, Oil
14	109-0293	1	Hose-Fuel
15	1-603770	1	Valve-Fuel
16	109-0306	1	Hose-Fuel
19	322-3	2	Screw-HH
20	1-805005	2	Washer-Lock
23	33113-016	1	Screw-HH
24	1-805004	1	Washer-Lock
25	100-6467	1	Muffler

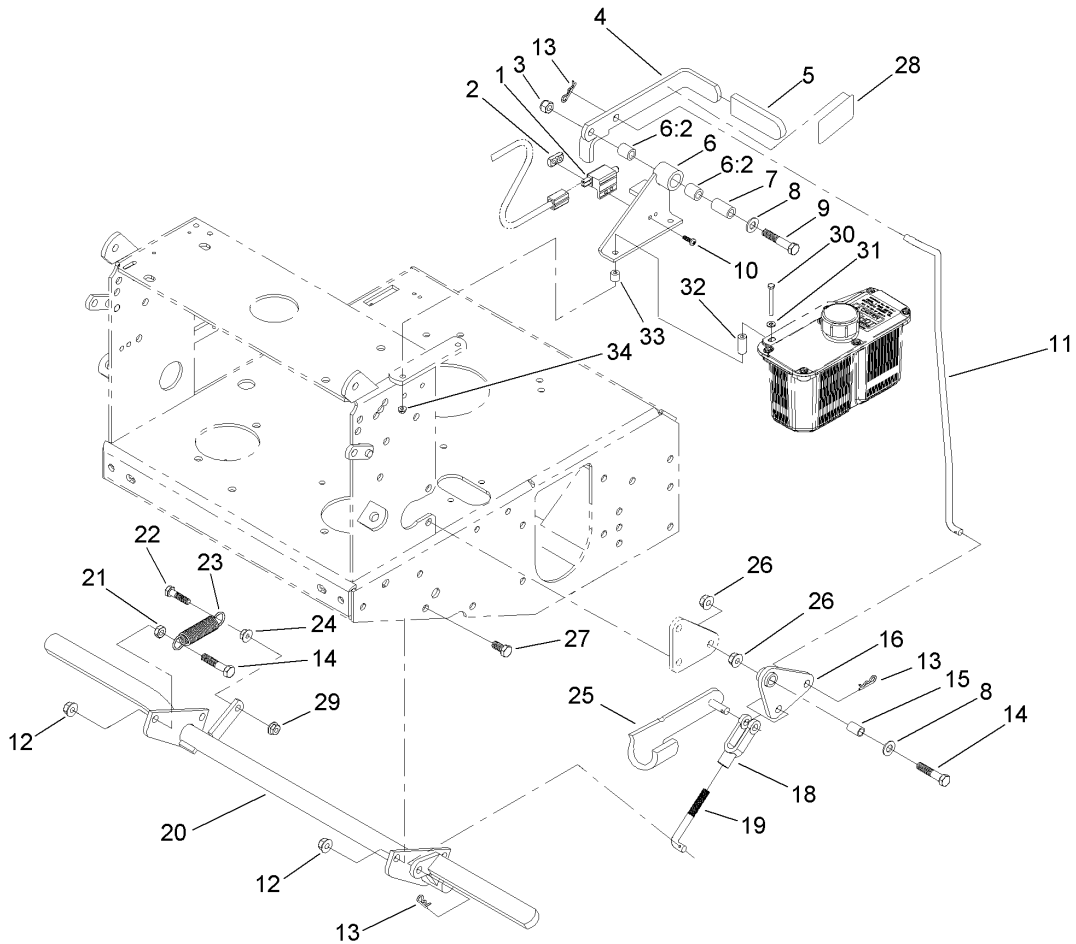
Ref	Part No.	Qty.	Description
26	103-5465	1	Clamp-Muffler
27	322-7	3	Screw-HH
28	1-303334	4	Washer-Spring
29	32128-20	4	Nut-HF
30	5-0652	2	Spacer
31	3296-39	1	Nut-Lock, NI
32	323-6	8	Screw-HH
33	98-5975	8	Washer-Belleville
34	3290-357	8	Nut-HHF, Whiz
35	1-413510	1	Clip-Loom
36	33114-016	1	Screw-HH
37	322-9	1	Screw-HH
38	1-322110	1	Guide-Belt
99	103-1964	1	Hose-Drain, Oil



Drive Assembly

Ref	Part No.	Qty.	Description
1	1-807259	2	Key
2	1-653035	1	Pulley
3	1-603843	1	Pulley-Idler
4	1-523157	2	Washer-Spacer, 14 GA
5	110-4890	1	Pulley ASM
6	1-373034	3	Washer
7	1-603610	2	Washer-Spring
8	3212-6	1	Screw-HH
9	3231-6	1	Screw-CARR
10	1-323365	1	Chain-Link, Twist
11	3256-14	1	Washer-Flat
12	1-809069	1	Screw-Cap Socket Head
13	323-12	1	Screw-HH
14	1-373034	1	Washer
15	5-0652	1	Spacer
16	302-19	1	Fitting-Grease
17	1-603402	1	Spring-Extension
18	322-5	1	Screw-HH
19	1-603801	1	Anchor-Spring
20	32128-20	2	Nut-HF
21	1-803050	4	Screw-Set
22	106-2740	1	V-Belt-Drive, Hydro
23	1-807272	2	Key
24	1-413010	2	Sheave ASM W/Hub

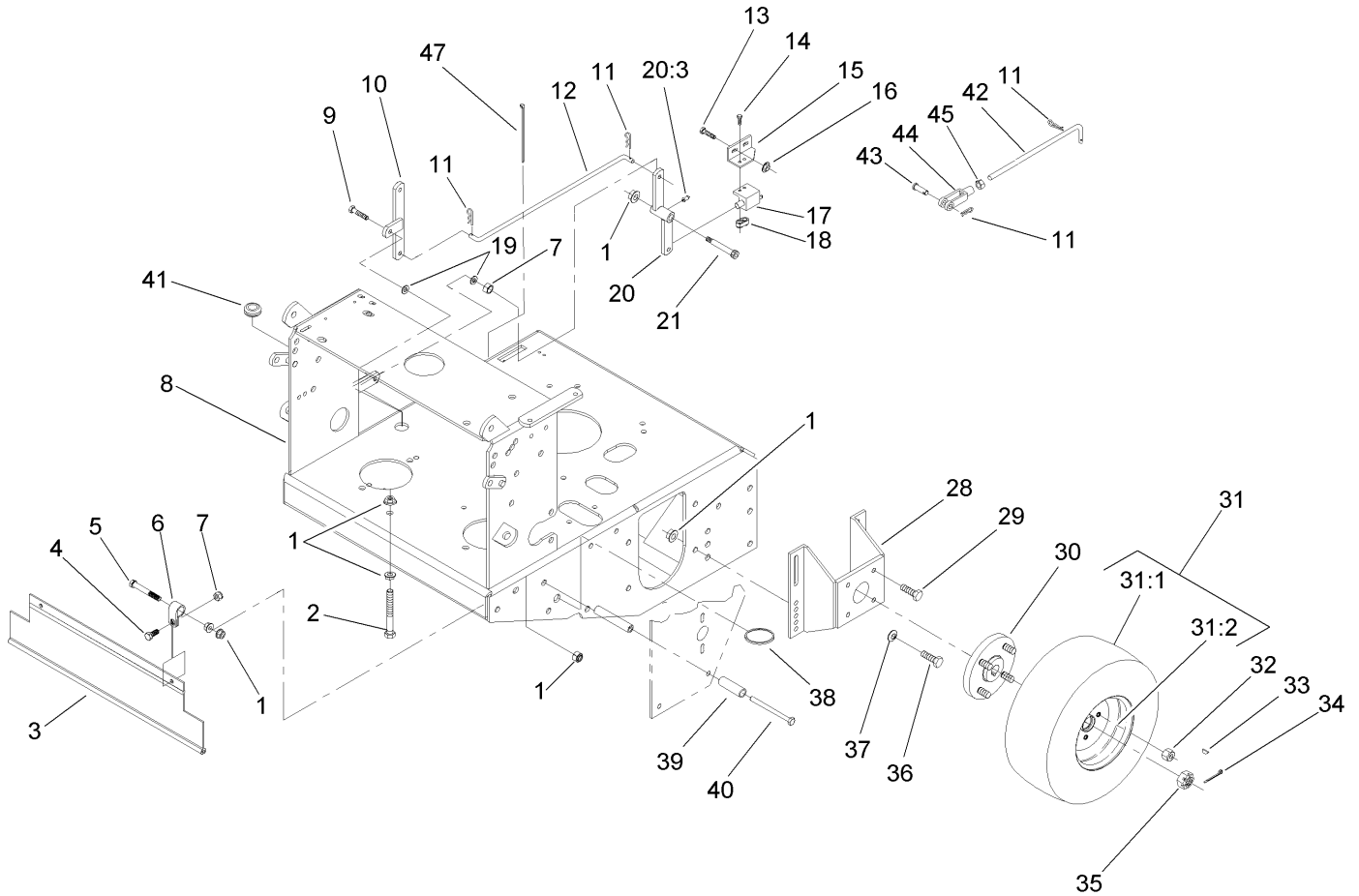
Ref	Part No.	Qty.	Description
25	3256-24	1	Washer-Flat
26	3290-357	1	Nut-HHF, Whiz
27	3296-2	1	Nut-Lock
28	1-603044	1	Bushing
29	1-603496	1	Bushing-Idler
30	1-602521	1	Idler Arm ASM
30:1	103-4681	2	Sleeve-Bearing
31	103-1796	1	Cable-Choke
32	32128-33	2	Nut-HF
33	103-1797-01	1	Bracket-Cable, Choke
34	321-3	2	Screw-HH
36	98-0776	1	Decal-Caution
37	3296-39	3	Nut-Lock, NI
39	323-6	2	Screw-HH
40	1-413497	1	Bellcrank
41	95-2814	1	Decal-Shut Off, Fuel
42	323-7	1	Screw-HH
43	110-0543	1	Belt-V
44	3296-42	1	Nut-Lock, NI
45	3256-22	1	Washer-Flat
46	1-603727	1	Clip-Loom
47	1-323430	1	Module-Interlock
48	1-633181	1	Plate-Tapped
49	1-513051	1	Switch-Open, Normally



Parking Brake Assembly

Ref	Part No.	Qty.	Description
1	1-513051	1	Switch-Open, Normally
2	1-633181	1	Plate-Tapped
3	3296-39	1	Nut-Lock, NI
4	1-412501-03	1	Lever-Parkbrake
5	1-303020	1	Grip-Lever
6	1-414504	1	Bracket ASM
6:2	1-413347	2	Sleeve-Bushing
7	1-413344	1	Bushing-Pivot
8	3256-24	2	Washer-Flat
9	323-10	1	Screw-HH
10	3290-500	2	Screw-PPH
11	1-413496	1	Linkage-Upper
12	3296-39	4	Nut-Lock, NI
13	1-806003	3	Pin-Hair
14	323-9	2	Screw-HH
15	1-303548	1	Bushing-Plastic
16	1-414508	1	Bellcrank ASM
18	1-633131	1	Yoke-Linkage, Brake
19	1-413489	1	Linkage-Lower
20	103-2004-03	1	Brake
21	3218-3	1	Nut-Jam
22	322-6	1	Screw-HH
23	1-323161	1	Spring-Idler
24	32128-20	1	Nut-HF

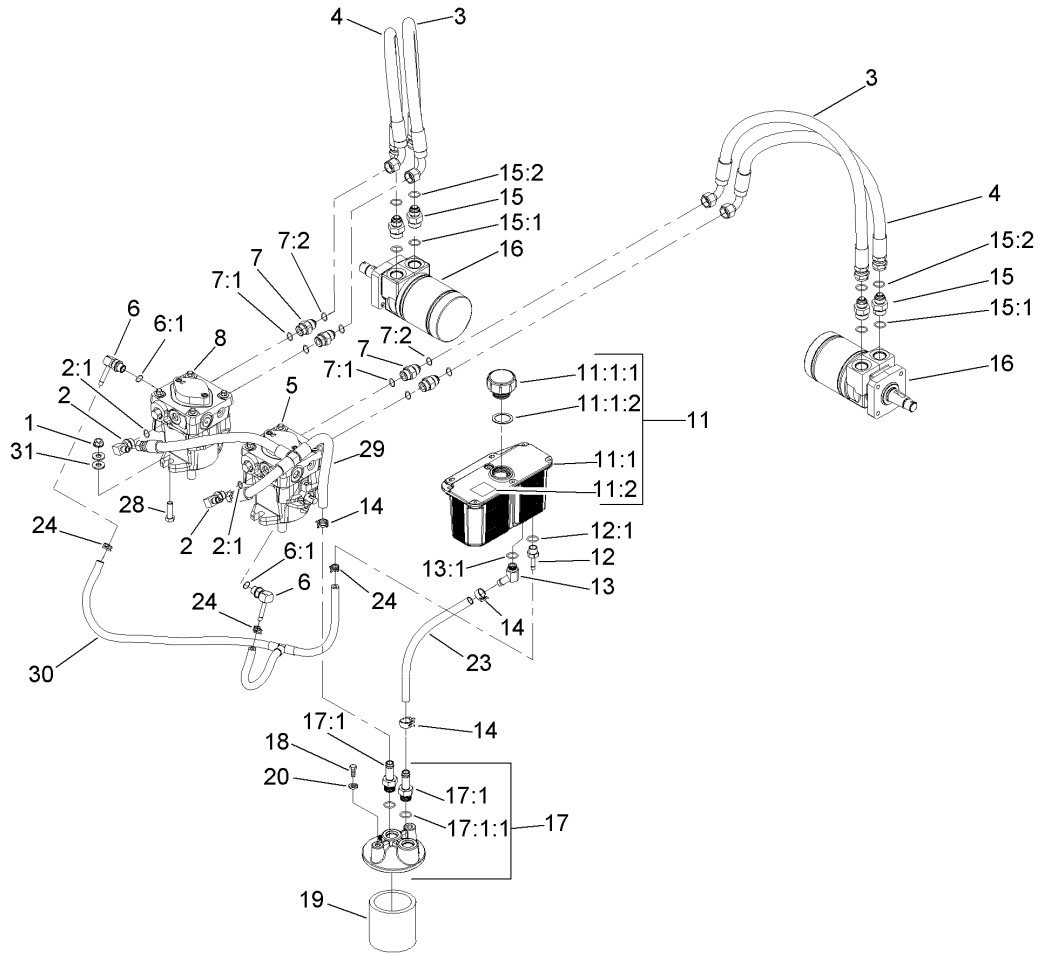
Ref	Part No.	Qty.	Description
25	103-2399	1	Pin-Spring, Clevis
26	32128-21	2	Nut-HF
27	323-6	3	Screw-HH
28	103-2103	1	Decal-Brake, Park
29	3296-29	1	Nut-Lock, NI
30	321-23	2	Screw-HH
31	3256-22	2	Washer-Flat
32	103-2191	2	Spacer
33	1-323549	2	Spacer
34	32128-33	2	Nut-HF



Frame and Wheel Assembly

Ref	Part No.	Qty.	Description
1	3290-357	16	Nut-HHF, Whiz
2	323-11	1	Screw-HH
3	103-2056	1	Shield-Drag
4	322-3	2	Screw-HH
5	323-13	2	Screw-HH
6	1-413510	2	Clip-Loom
7	3296-29	3	Nut-Lock, NI
8	110-6915-01	1	Hydro Frame ASM
9	322-6	1	Screw-HH
10	1-322090-01	1	Bellcrank ASM
11	1-806003	4	Pin-Hair
12	1-323172	1	Linkage-Engage, Blade
13	321-3	2	Screw-HH
14	3290-500	2	Screw-PPH
15	1-323213	1	Bracket-Switch, Blade
16	32128-33	2	Nut-HF
17	1-513051	1	Switch-Open, Normally
18	1-633181	1	Plate-Tapped
19	3256-23	2	Washer-Flat
20	1-322108	1	Bellcrank ASM
20:3	302-40	1	Fitting-Grease
21	1-809062	1	Screw
28	1-402062-01	2	Mount-Motor
29	3234-12	8	Screw-HHF

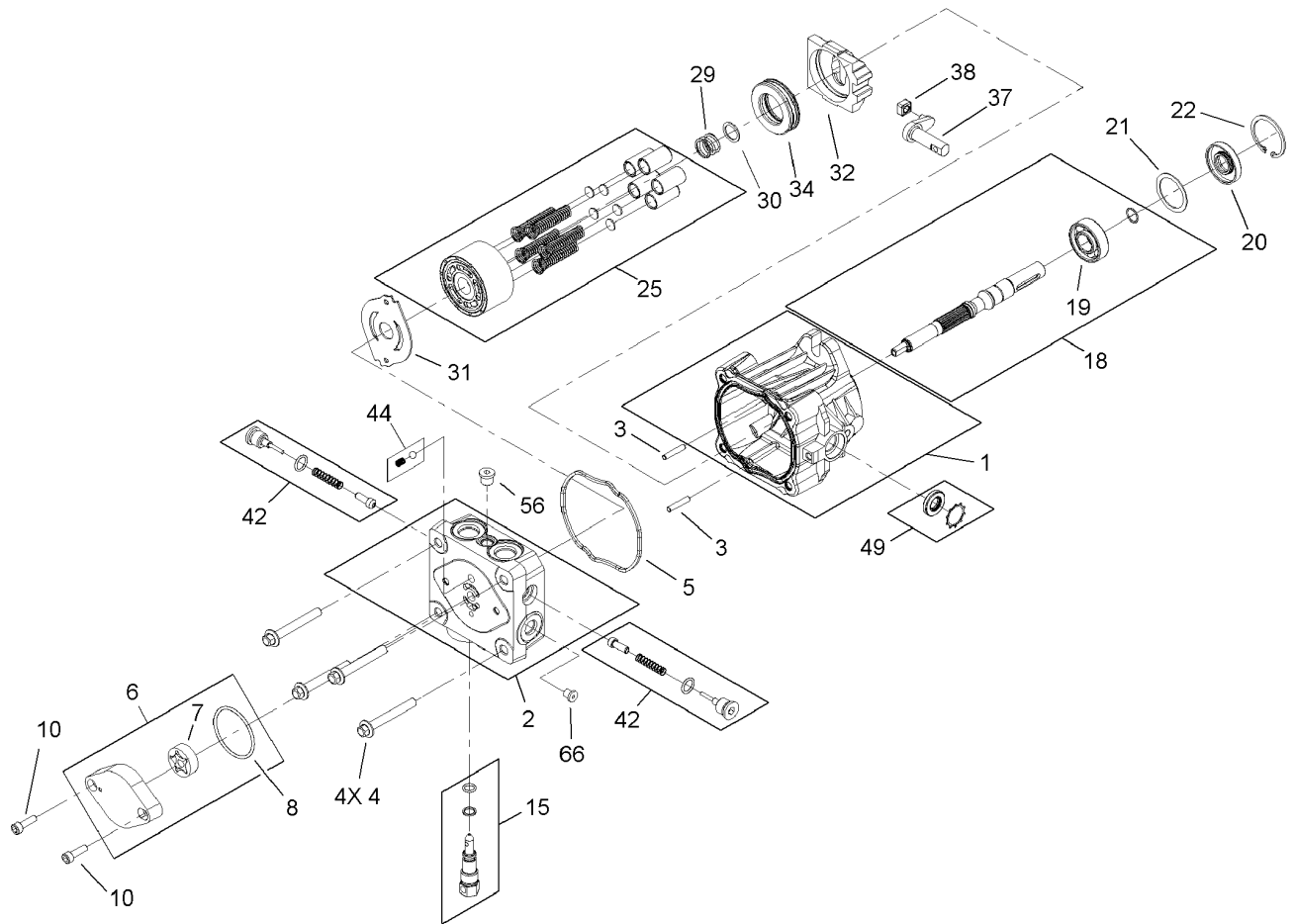
Ref	Part No.	Qty.	Description
30	1-602997	2	Hub W/Studs
31	2	Wheel And Tire ASM	
31:1	1-613264	1	Tire-Turfmaster
31:2	1-603715	1	Wheel-Rim
32	242-50	8	Nut-Lug
33	1-807019	2	Key-Woodruff
34	1-806800	2	Pin-Cotter
35	32136-5	2	Nut-Hex, Slotted
36	323-6	8	Screw-HH
37	98-5975	8	Washer-Belleville
38	1-323366	1	Ring-Split
39	105-4820	1	Spacer-Short
40	323-23	1	Screw-HH
41	1-543296	1	Grommet
42	1-323174	1	Arm-Linkage, Assist
43	1-808280	1	Pin-Clevis
44	1-303105	1	Yoke-Adjustable
45	3219-2	1	Nut-Hex
47	1-303287	2	Tie-Plastic



Hydraulic Assembly

Ref	Part No.	Qty.	Description
1	3290-357	4	Nut-HHF, Whiz
2	103-1802	2	Fitting-HYD, 90 DEG
2:1	1-603921	1	O-Ring
3	1-323241	2	Hose-Pressure, High
4	1-613034	2	Hose-Pressure, High
5	103-4611	1	Pump-HYD
●5:1	105-6184	1	Overhaul Seal Kit
●5:2	105-6185	1	Plate-Valve
●5:8	103-2664	1	Input Shaft Kit
●5:9	94-6922	1	Bearing-Thrust
●5:10	103-2666	1	Cylinder Block Kit
6	103-1799	2	Elbow-90 DEG
6:1	237-42	1	O-Ring
7	1-603990	4	Fitting-Straight
7:1	1-603920	1	O-Ring
7:2	1-603992	1	O-Ring
8	106-5490	1	Hydraulic Pump ASM
11	103-1947	1	HYD Reservoir ASM
●11:1		1	Reservoir-HYD
11:1:1	103-1948	1	Cap-Reservoir, HYD
11:1:2	103-1949	1	Gasket-Cap
11:2	1-523552	1	Decal-Tank, HYD
12	103-1801	1	Adapter-Straight
12:1	237-42	1	O-Ring

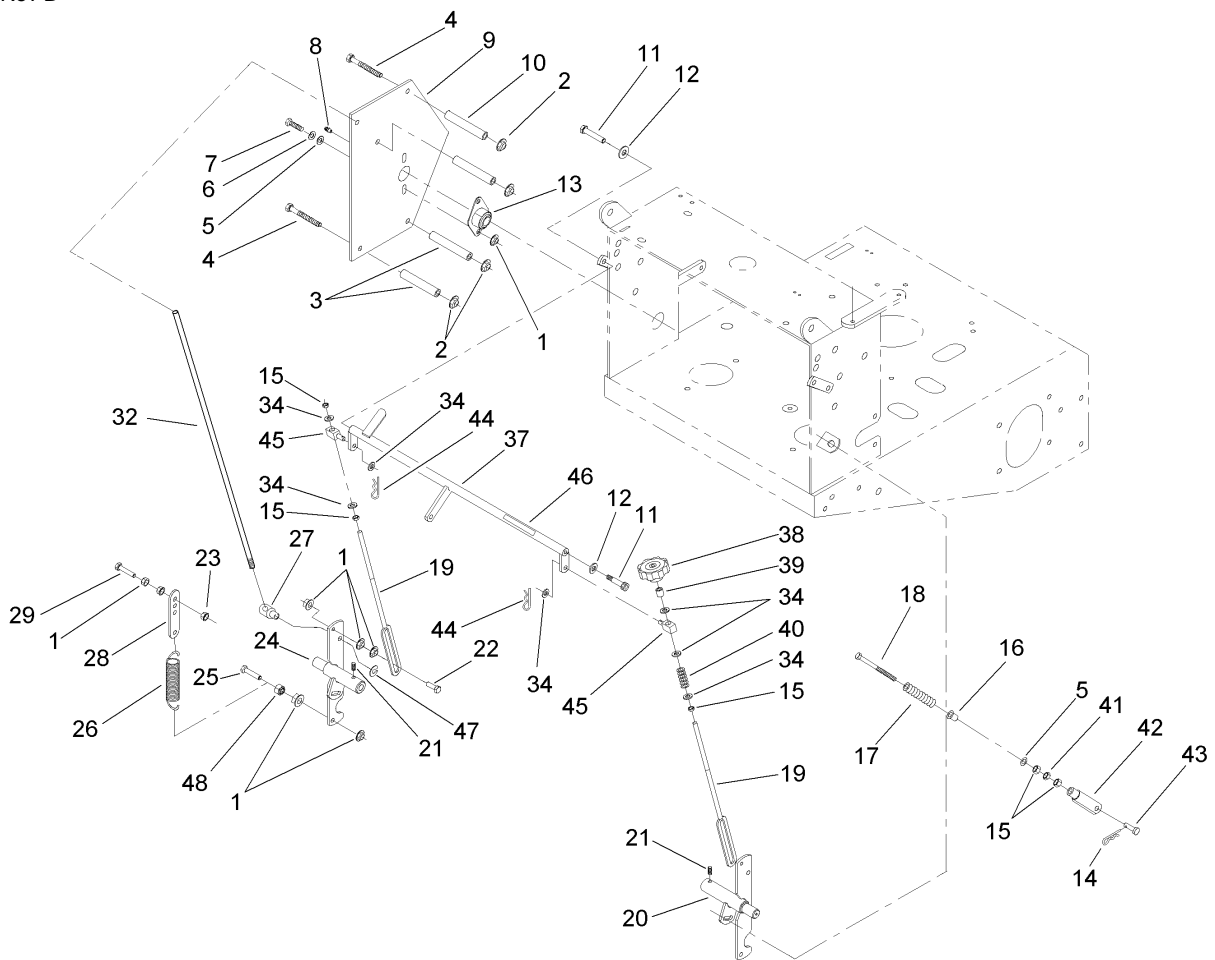
Ref	Part No.	Qty.	Description
13	103-1807	1	Elbow-45 DEG
13:1	237-42	1	O-Ring
14	103-1988	3	Clamp-Hose
15	1-603991	4	Fitting-Straight
15:1	237-80	1	O-Ring
15:2	1-603992	1	O-Ring
16	1-603718	2	Motor-Wheel
●16:1	1-000119	1	Seal Kit
17	103-2889	1	Filter Head ASM
17:1	103-1912	2	Adapter-Straight
17:1:1	237-42	1	O-Ring
18	321-3	2	Screw-HH
19	1-633750	1	Filter-Oil, HYD
20	1-805004	2	Washer-Lock
23	103-2959	1	Hose-Charge
24	103-1716	3	Clamp-Hose
28	323-7	4	Screw-HH
29	103-3914	1	Charge Hose ASM
30	103-4019	1	Case Drain Hose ASM
31	3256-3	8	Washer-Flat



Hydraulic Pump Assembly No. 106-5490

Ref	Part No.	Qty.	Description
1	106-8751	1	Housing Kit
2	106-8752	1	End Cap Kit (W/Poppets)
3	106-8753	2	Pin-Headless, Straight
4	106-8754	4	Bolt-HF
5	106-8755	1	O-Ring
6	106-8756	1	Charge Pump Kit
7	104-2122	1	Gerotor ASM
8	106-8757	1	O-Ring
10	106-8758	2	Screw-HSH
15	106-8759	1	Bypass Valve Kit
18	103-2664	1	Input Shaft Kit
19	104-5311	1	Bearing-Ball
20	104-5310	1	Seal-Lip
21	104-5308	1	Spacer
22	104-5309	1	Ring-Retaining
25	104-2106	1	Cylinder Block ASM
29	94-1936	1	Spring-Block
30	94-1937	1	Washer-Block, Thrust
31	105-6185	1	Plate-Valve
32	94-1907	1	Swashplate-Variable
34	94-6922	1	Bearing-Thrust
37	94-1909	1	Arm-Trunion
38	94-1910	1	Guide-Slot
42	98-3252	2	Valve-Check (W/Poppet)

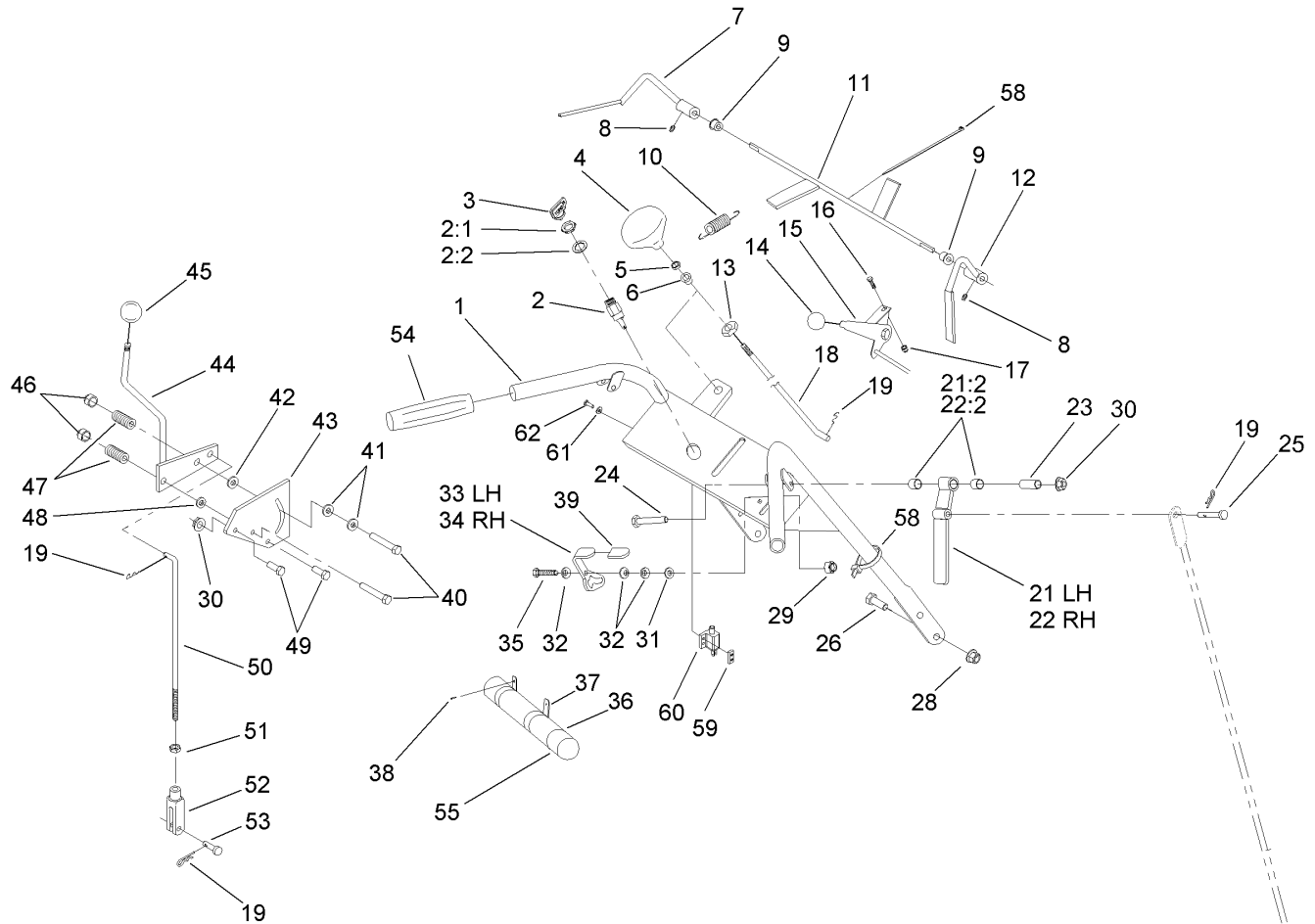
Ref	Part No.	Qty.	Description
44	106-8760	1	Charge Relief Valve Kit
49	106-8761	1	Trunnion Seal / Retainer Kit
56	106-8762	1	Plug-HSH
66	106-8763	1	Plug-HSH
99	105-6184	1	Overhaul Seal Kit



Pivot and Linkage Assembly

Ref	Part No.	Qty.	Description
1	32128-20	18	Nut-HF
2	3290-357	7	Nut-HHF, Whiz
3	1-323197-01	4	Spacer-Shield
4	323-16	7	Screw-HH
5	3256-2	6	Washer-Flat
6	1-805005	4	Washer-Lock
7	322-3	4	Screw-HH
8	302-19	2	Fitting-Grease
9	110-4897-01	2	Shield-Controls, Hydro
10	1-323195-01	4	Spacer-Shield
11	1-809056	2	Screw
12	3256-24	2	Washer-Flat
13	1-633102	2	Bearing-Flange, Side
14	1-806003	2	Pin-Hair
15	3219-2	7	Nut-Hex
16	1-603735	2	Bushing-Flanged
17	1-603807	2	Spring-Return, Neutral
18	1-603737	2	Bolt-Return, Neutral
19	1-413350	2	Link-Control, Speed
20	103-4796-01	1	Shaft-Control, RH
21	1-803022	2	Screw-Set
22	1-403180	2	Screw-HH
23	3296-29	2	Nut-Lock, NI
24	103-1190-01	1	Shaft-Control, LH

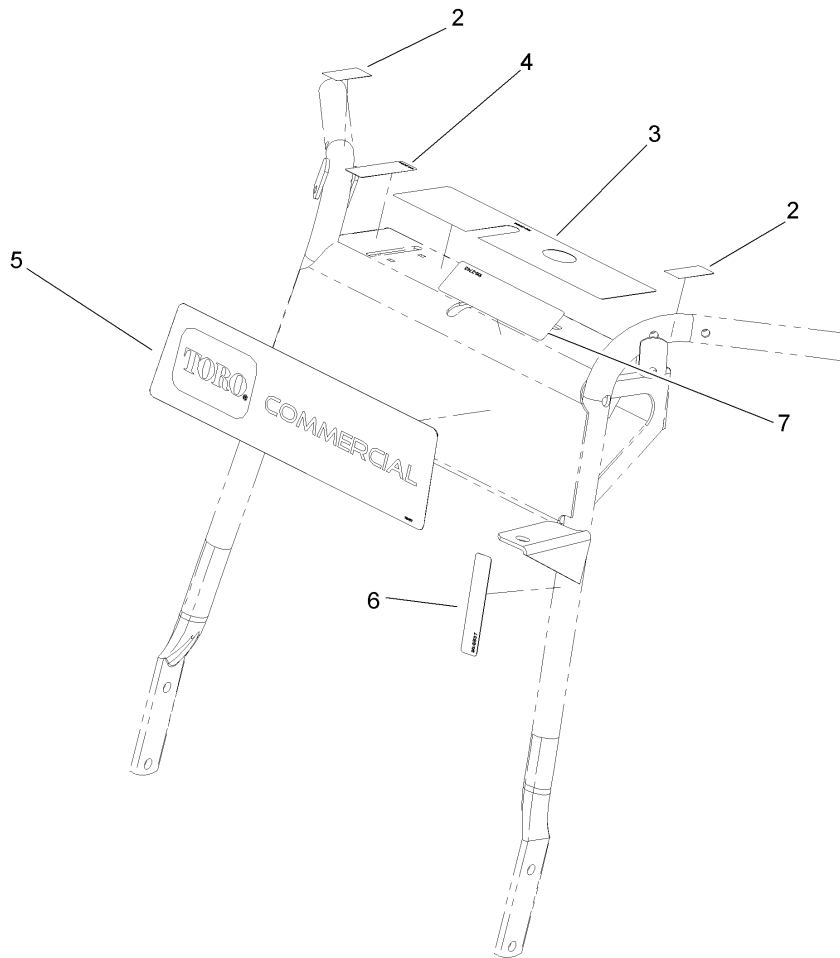
Ref	Part No.	Qty.	Description
25	322-6	2	Screw-HH
26	1-603693	2	Spring-Extension
27	103-1235	2	Swivel-Lever, Drive
28	1-613089	2	Tab-Spring, Extension
29	1-800016	2	Bolt-TAP, HH
32	1-413219	2	Rod-Lever, Drive
34	3256-23	7	Washer-Flat
37	1-412203-01	1	Crank-Control, Speed
38	1-413151	1	Knob-Tracking
39	1-603903	1	Spacer
40	1-323245	1	Spring-Compression
41	3220-2	2	Nut-Jam
42	1-303105	2	Yoke-Adjustable
43	1-808280	2	Pin-Clevis
44	3272-5	2	Pin-Cotter
45	1-603676	2	Swivel-Adjustable, Short
46	105-4109	1	Decal-Tracking
47	32151-47	2	Ring-Retaining
48	3218-2	2	Nut-Jam



Handle and Control Assembly

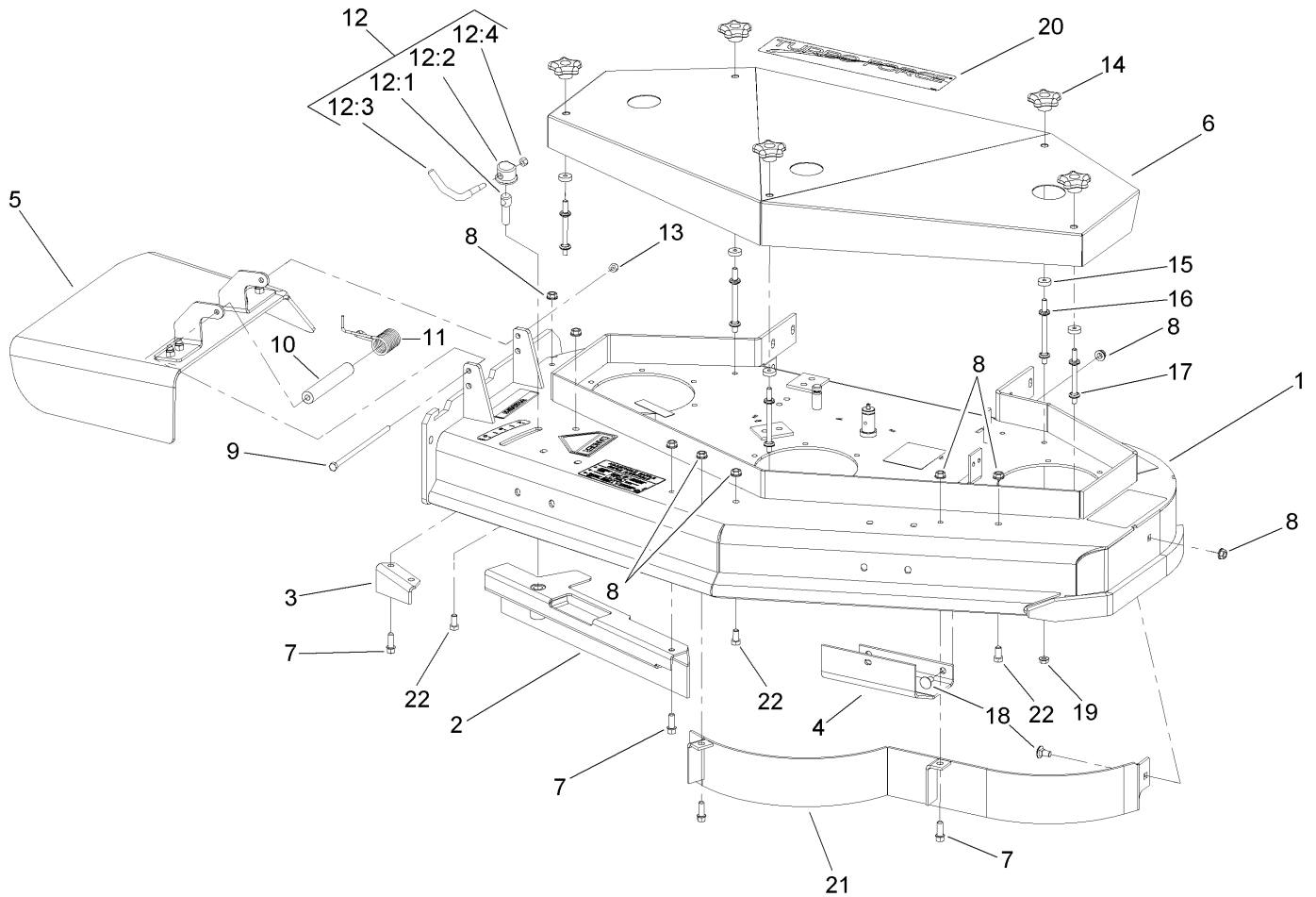
Ref	Part No.	Qty.	Description
1	110-6907	1	Hydro Handle ASM
2	29-5560	1	Switch-On / Off
2:1	218-461	1	Nut-HH
2:2	3254-5	1	Washer-Tooth
3	63-8360	1	Key-Ignition
4	1-323134	1	Knob-Push/Pull
5	3218-2	1	Nut-Jam
6	1-323143	1	Bearing-Nylon
7	106-5485	1	LH Opc Lever ASM
8	1-803322	2	Screw-Set
9	1-303365	2	Bushing-Nylon
10	1-303363	1	Spring-Extension
11	106-2717-03	1	Rod-Control, Operator Presence
12	106-5486	1	RH Opc Lever ASM
13	1-323142	1	Nut-Push
14	1-513592	1	Knob-Ball
15	1-633696	1	Throttle Cable ASM
16	1-807513	2	Bolt-CARR
17	3296-2	2	Nut-Lock
18	1-323181	1	Linkage-Blade
19	1-806003	5	Pin-Hair
21	103-0218	1	LH Drive Lever ASM
21:2	1-413152	2	Sleeve-Bushing
22	103-0219	1	RH Drive Lever ASM

Ref	Part No.	Qty.	Description
22:2	1-413152	2	Sleeve-Bushing
23	1-603749	2	Bushing-Lever, Drive
24	321-9	2	Screw-HH
25	1-613055	2	Pin-Clevis
26	3234-11	4	Screw-HHF
28	32128-21	4	Nut-HF, NI
29	3296-42	2	Nut-Lock, NI
30	32128-33	4	Nut-HF
31	3256-2	2	Washer-Flat
32	1-303435	6	Washer-Spring
33	1-612167	1	LH Grip/Latch ASM
34	1-612168	1	RH Grip/Latch ASM
35	321-10	2	Screw-HH
36	104-7050	1	Housing-Manual
37	2412-120	2	R-Clamp
38	32104-76	2	Screw
39	1-303019	2	Grip-Latch
40	322-10	2	Screw-HH
41	1-603716	1	Washer-Friction
42	1-323244	2	Washer-Friction
43	1-603730	1	Plate-Lever, Shifter
44	106-2748	1	Lever-Shift
45	1-603175	1	Knob-Ball
46	3296-29	2	Nut-Lock, NI



Control Handle Assembly No. 110-6907

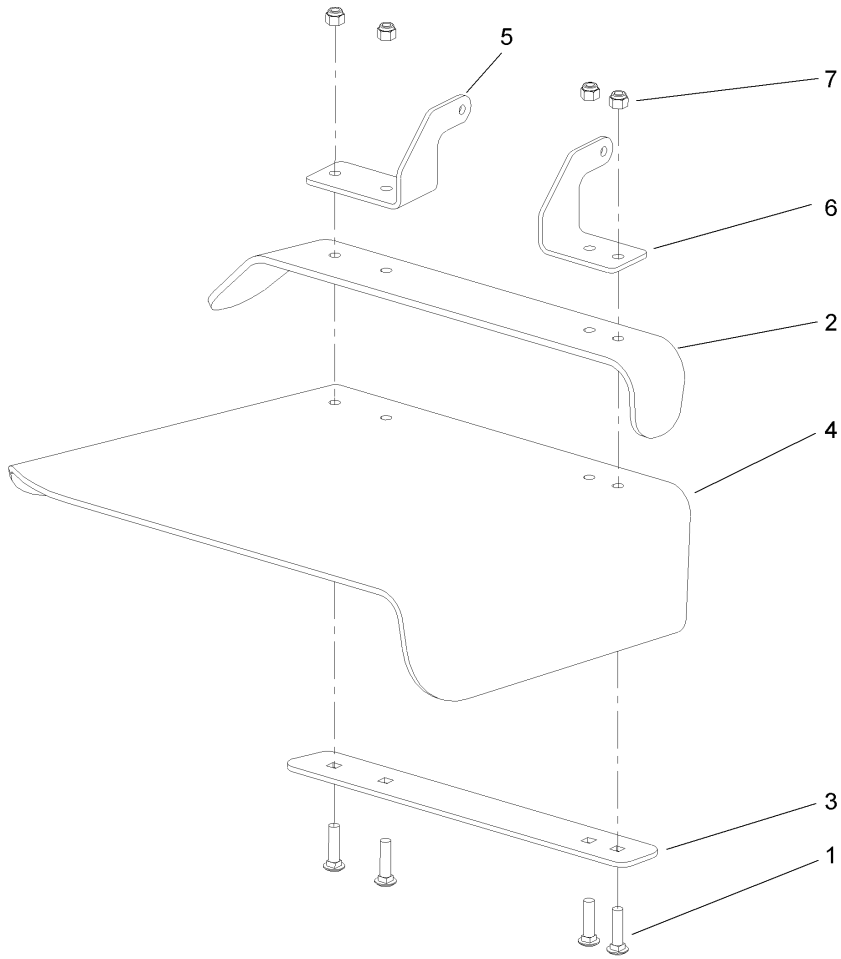
Ref	Part No.	Qty.	Description
2	105-4110	2	Decal-Lock, Neutral
3	106-2738	1	Decal-Warning
4	106-2733	1	Decal-Throttle
5	110-6917	1	Decal-Control Panel
6	95-5537	1	Decal-Engage, Deck
7	106-2743	1	Decal-Caution, Brake



Deck Assembly

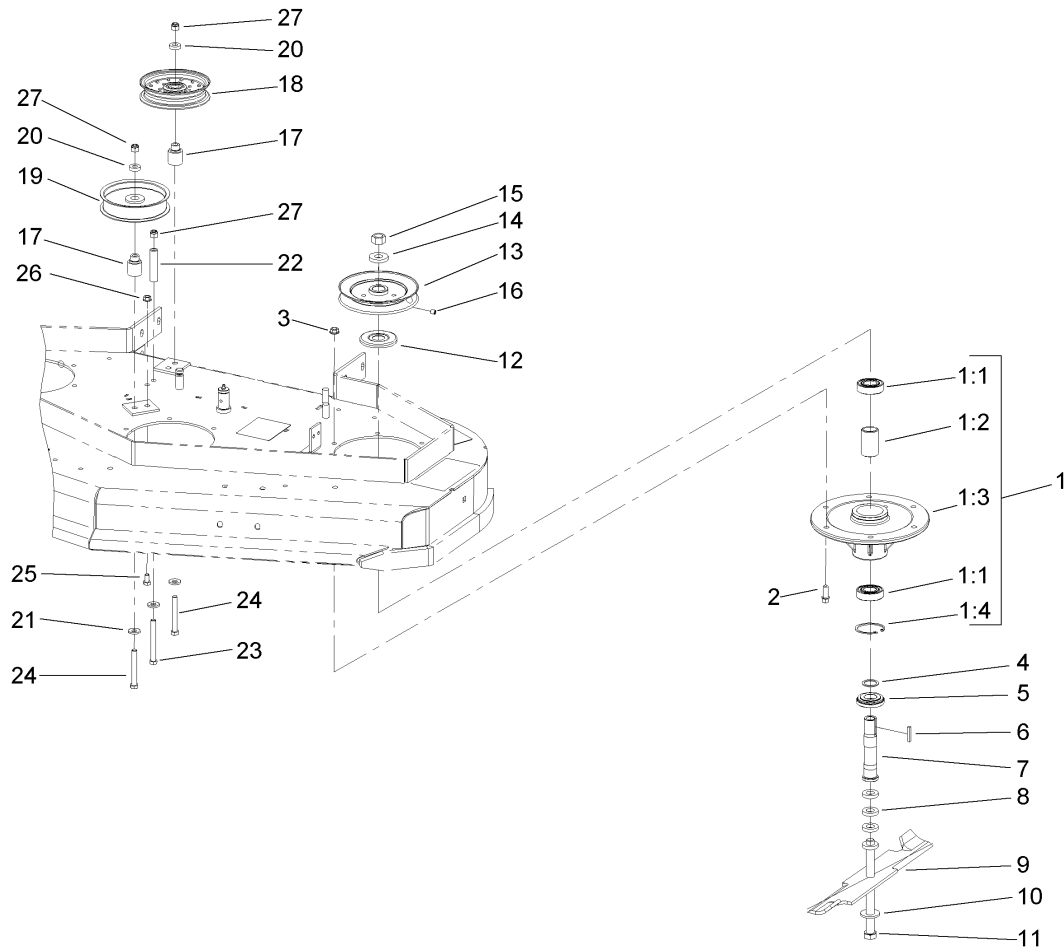
Ref	Part No.	Qty.	Description
1	110-4909	1	Deck ASM
2	110-0533-01	1	Adjustable Baffle
3	110-0744-01	1	Baffle-Discharge
4	107-3166-01	1	Skid
5	110-0758	1	Deflector ASM
6	110-2119-01	1	Cover
7	92-1624	5	Screw
8	3290-357	12	Nut-HHF, Whiz
9	322-50	1	Screw-HH
10	105-4622	1	Spacer
11	104-8554	1	Spring-Torsion
12	107-1664	1	Lever ASM
12:1	106-3239	1	Screw-Lock
12:2	107-1644	1	Cap-Lock
12:3	106-3241	1	Lever-Lock
12:4	3296-29	1	Nut-Lock, NI
13	3296-29	1	Nut-Lock, NI
14	106-4161	5	Knob-Handle
15	1-323417	5	Washer
16	1-303536	3	Stud-Shield, Belt (Long)
17	1-303537	2	Stud-Shield, Belt (Short)
18	3231-1	7	Screw-CARR
19	32128-20	5	Nut-HF
20	110-6920	1	Decal

Ref	Part No.	Qty.	Description
21	110-0735-01	1	Baffle ASM
22	323-4	3	Screw-HH



Deflector Assembly No.110-0758

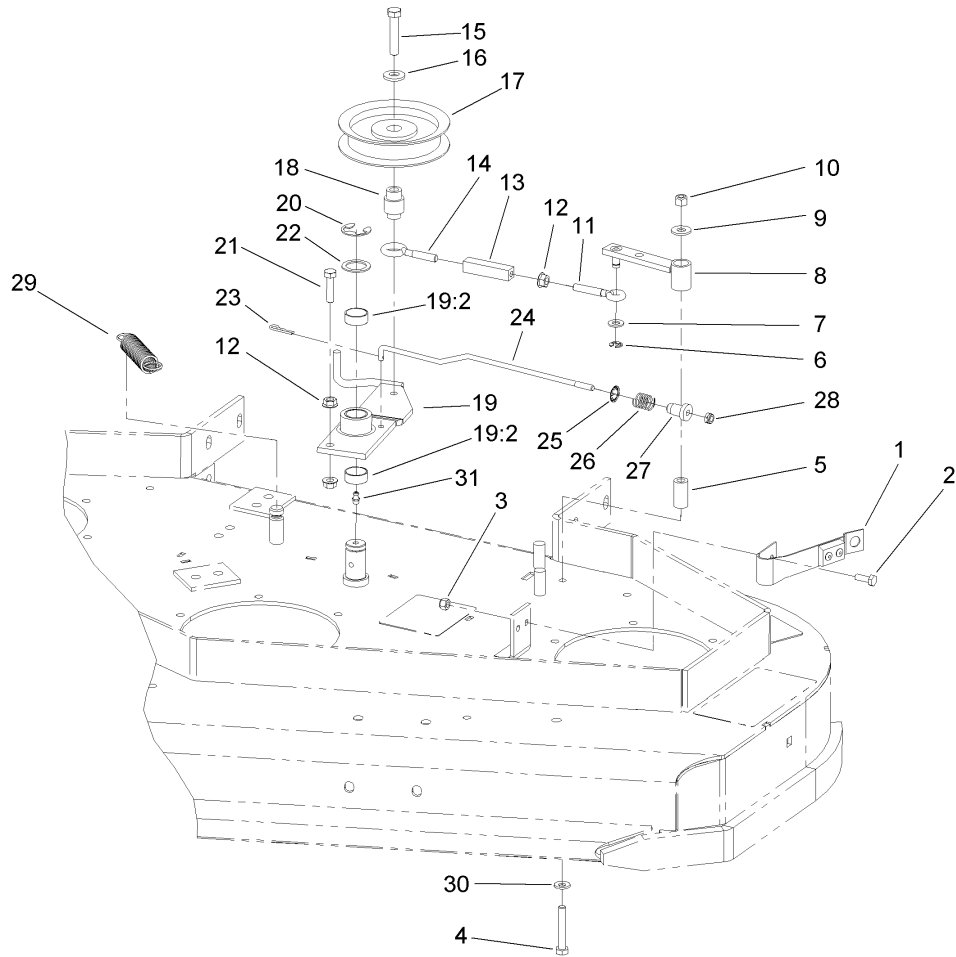
Ref	Part No.	Qty.	Description
1	3231-4	4	Screw-CARR
2	106-3246-01	1	Deflector
3	106-3248-03	1	Strap-Discharge
4	110-0759	1	Deflector-Rubber
5	107-4197-01	1	Bracket-Hinge, Rear
6	107-4196-01	1	Bracket-Hinge, Front
7	3296-39	4	Nut-Lock, NI



Sheave, Spindle and Blade Assembly

Ref	Part No.	Qty.	Description
1	108-6697	3	Spindle Housing ASM
1:1	110-2118	2	Bearing
1:2	110-2116	1	Spacer-Bearing
1:3	108-6694	1	Housing-Spindle
1:4	32120-8	1	Ring-Snap
2	92-1624	18	Screw
3	3290-357	18	Nut-HHF, Whiz
4	110-4888	3	Washer-Spacer
5	103-2535	3	Spacer-Guard, Bottom
6	1-807267	3	Key
7	1-323529	3	Tube-Spindle, Short
8	1-323539	12	Spacer-Drive, Blade
9	107-3192	3	Blade-Rotary, 16.5 Inch (High Flow)
10	1-513208	3	Washer-Spring
11	1-800861	3	Screw-Cap, HH
12	103-1330	3	Guard-Bearing, Top
13	1-403183	3	Sheave
14	1-323339	3	Washer-Retainer, Sheave
15	3219-6	3	Nut-Hex
16	1-803310	3	Screw-Set
17	1-403184	2	Bushing-Idler
18	1-403186	1	Idler-Pulley, Flat
19	1-613098	1	Pulley-Idler

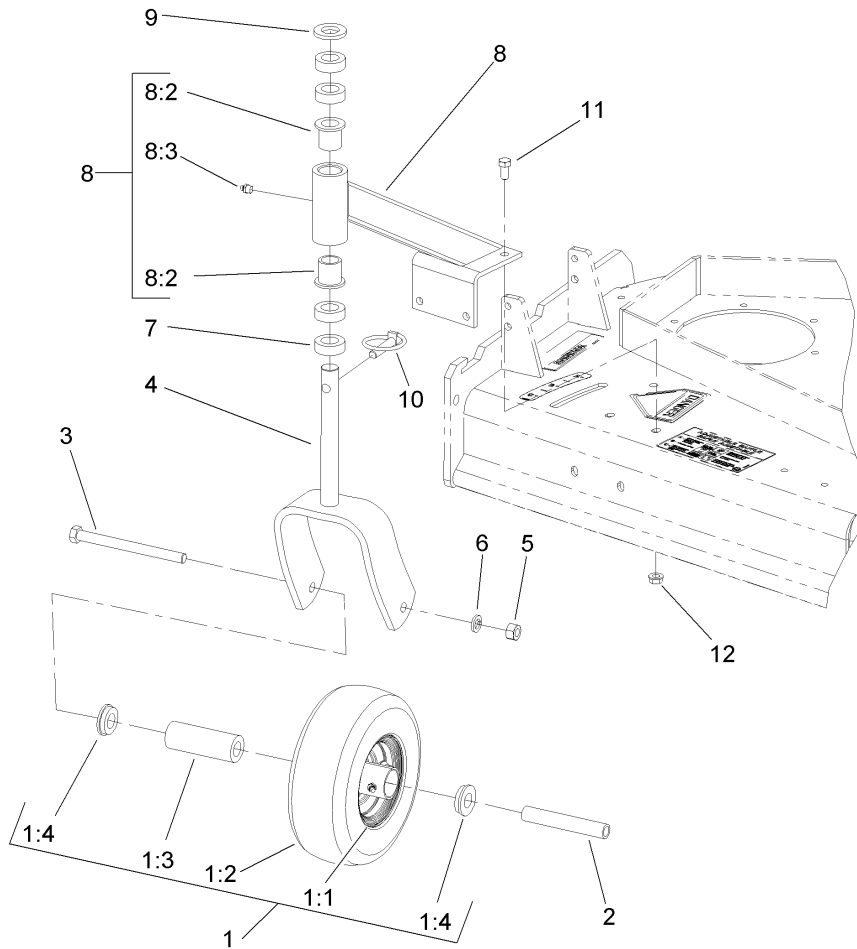
Ref	Part No.	Qty.	Description
20	5-0652	2	Spacer
21	98-5975	3	Washer-Belleville
22	1-403188	1	Spacer
23	323-15	1	Screw-HH
24	323-14	2	Screw-HH
25	322-2	1	Screw-HH
26	32128-20	1	Nut-HF
27	3296-39	3	Nut-Lock, NI



Idler Assembly

Ref	Part No.	Qty.	Description
1	1-324372	1	Pad / Spring ASM
2	321-4	2	Screw-HH
3	3296-42	2	Nut-Lock, NI
4	322-10	1	Screw-HH
5	1-403179	1	Tube-Pivot
6	32120-35	1	E-Ring
7	3256-23	1	Washer-Flat
8	1-322235	1	Arm-Assist
9	3256-3	1	Washer-Flat
10	3296-29	1	Nut-Lock, NI
11	1-303238	1	Eyebolt-Thread, RH
12	32128-20	3	Nut-HF
13	1-303236	1	Body-Turnbuckle
14	1-303348	1	Eyebolt-Thread, LH
15	702809	1	Screw-Cap
16	98-5975	1	Washer-Belleville
17	1-603843	1	Pulley-Idler
18	1-303434	1	Bushing-Engagement
19	103-3600	1	Idler Arm ASM
19:2	1-323729	2	Sleeve-Bearing
20	32151-103	1	Ring-Snap
21	322-6	1	Screw-HH
22	1-303352	1	Washer-Spindle
23	1-806003	1	Pin-Hair

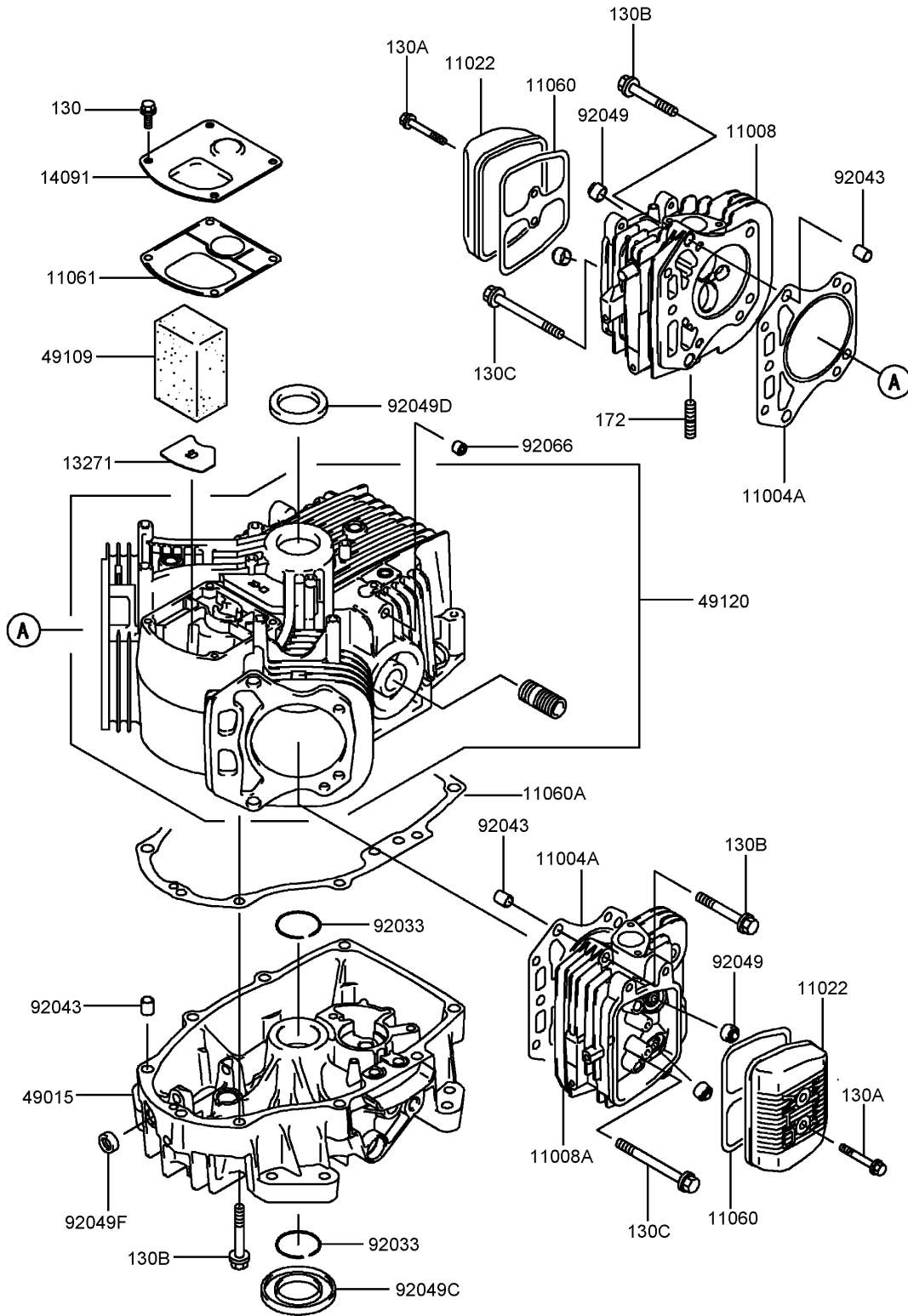
Ref	Part No.	Qty.	Description
24	103-5602	1	Rod-Brake
25	1-323748	1	Ring-Push On
26	1-323747	1	Spring-Compression
27	1-323746	1	Spacer-Flanged
28	3296-56	1	Nut-Lock, NI
29	1-323071	1	Spring-Extension
30	1-303334	1	Washer-Spring
31	302-19	2	Fitting-Grease



Castor Assembly

Ref	Part No.	Qty.	Description				
1	1-513648	2	Wheel And Tire ASM				
② 1:1		1	Rim				
1:2	1-513808	1	Tire				
1:3	1-513809	1	Bearing				
1:4	1-513810	2	Bushing				
2	1-513547	2	Spacer				
3	325-20	2	Screw-HH				
4	1-322145-01	2	Fork				
5	3217-9	2	Nut-Hex				
6	3253-7	2	Washer-Lock				
7	1-303314	8	Spacer-Caster				
8	110-2130	2	Support ASM				
8:2	1-303514	2	Bearing-Flanged				
8:3	302-52	1	Fitting-Grease				
9	1-513338	2	Washer-Flat				
10	1-809020	2	Pin				
11	323-4	8	Screw-HH				
12	3290-357	8	Nut-HHF, Whiz				

Cylinder and Crankcase Assembly Kawasaki FH541V-BS23-R

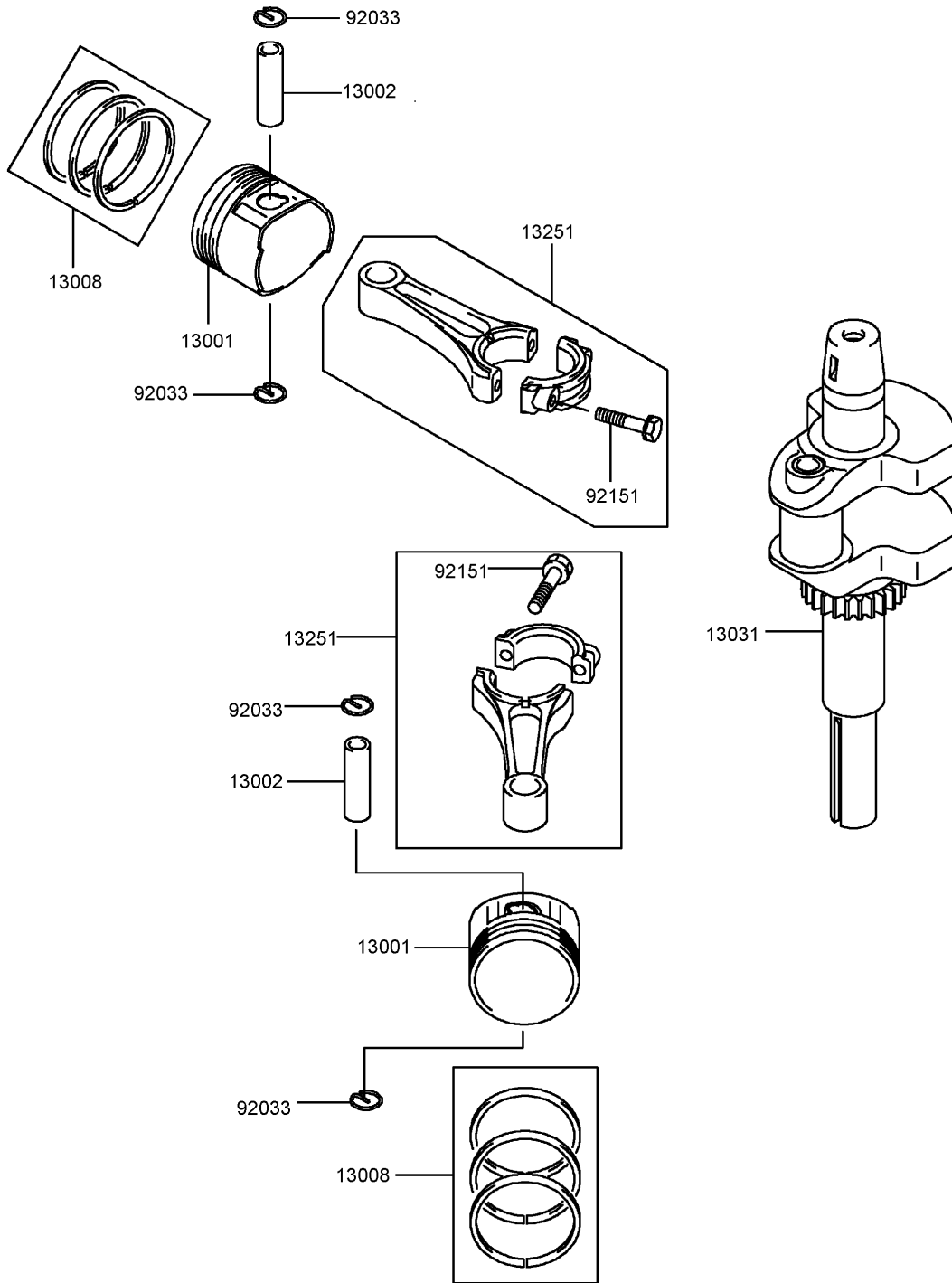


Cylinder and Crankcase Assembly

Kawasaki FH541V-BS23-R

Ref	Part No.	Qty.	Description				
⑤11004A	11004-7016	2	Gasket-Head				
⑤11008	11008-6043	1	Head-Cylinder, No. 1				
⑤11008A	11008-7020	1	Head-Cylinder, No. 2				
⑤11022	11022-7003	2	Case-Rocker				
⑤11060	11060-7001	2	Gasket-Case, Rocker				
⑤11060A	11060-7008	1	Gasket-Cover, Crankcase				
⑤11061	11061-7001	1	Gasket-Breather				
⑤13271	13271-7016	1	Plate				
⑤14091	14091-7006	1	Cover				
⑤49015	49015-6253	1	Cover-Crankcase				
⑤49109	49109-7002	1	Element-Breather				
⑤49120	49120-7023	1	Crankcase				
⑤92033	92033-7003	2	Ring-Snap				
⑤92043	92043-7001	6	Pin				
⑤92049	92049-7001	4	Seal-Oil, Rvc2 (6X11X10.2)				
⑤92049C	92049-7015	1	Seal-Oil, Sd (35X62X8 L Hs)				
⑤92049D	92049-7016	1	Seal-Oil, Sd (35X48X8 R Hs)				
⑤92049F	92049-7019	1	Seal-Oil, So (8X14X5 Hs)				
⑤92066	92066-7002	1	Plug				
⑤130	130B0612	4	Bolt-Flanged				
⑤130A	130B0640	4	Bolt-Flanged				
⑤130B	130T0850	17	Bolt-Flanged				
⑤130C	130T0875	2	Bolt-Flanged				
⑤172	172G0818	4	Bolt-Stud				

Piston and Crankshaft Assembly Kawasaki FH541V-BS23-R

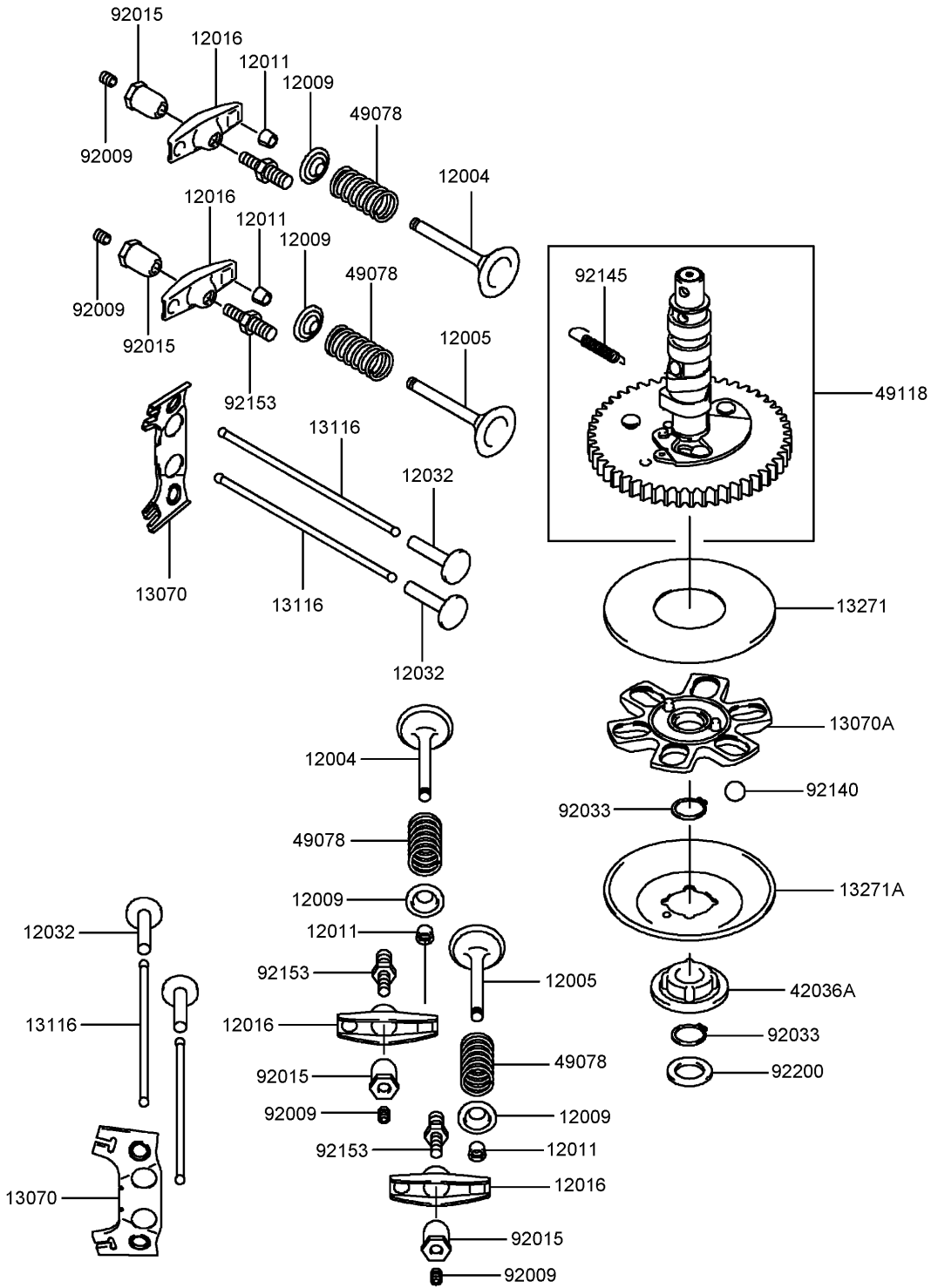


Piston and Crankshaft Assembly

Kawasaki FH541V-BS23-R

Ref	Part No.	Qty.	Description				
⑤13001	13001-7010	2	Piston-Engine				
⑤13002	13002-7001	2	Pin-Piston				
⑤13008	13008-6060	2	Ring Set-Piston				
⑤13031	13031-7036	1	Crankshaft				
⑤13251	13251-7010	2	Connecting Rod ASM				
⑤92033	92033-7005	4	Ring-Snap				
⑤92151	92151-7017	4	Bolt (6X35)				

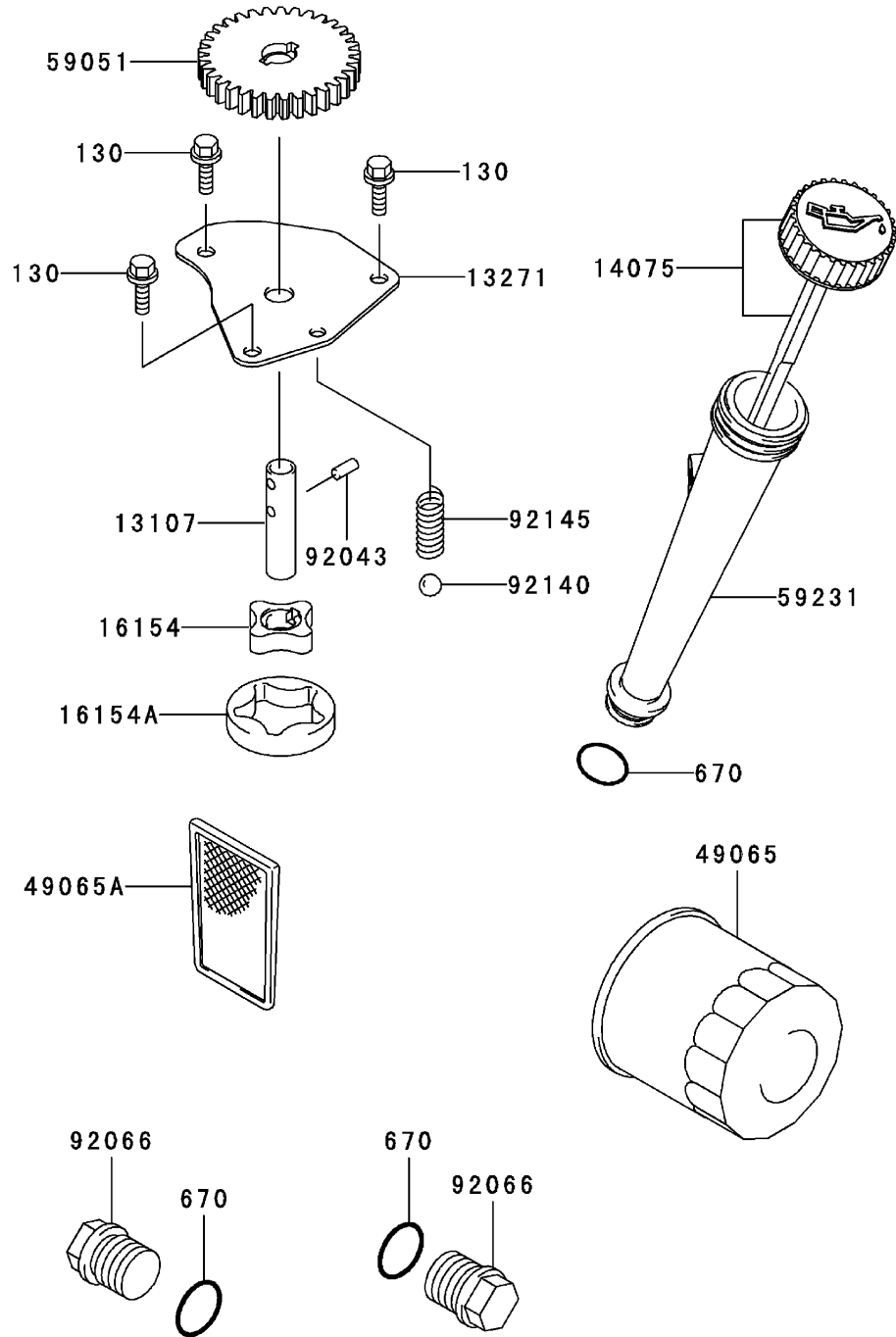
Valve and Camshaft Assembly Kawasaki FH541V-BS23-R



Valve and Camshaft Assembly Kawasaki FH541V-BS23-R

Ref	Part No.	Qty.	Description				
⑤12004	12004-7003	2	Valve-Intake				
⑤12005	12005-7003	2	Valve-Exhaust				
⑤12009	12009-7001	4	Retainer-Spring, Valve				
⑤12011	12011-2056	8	Collet				
⑤12016	12016-7001	4	Arm-Rocker				
⑤12032	12032-7001	4	Tappet				
⑤13070	13070-7001	2	Guide				
⑤13070A	13070-7004	1	Guide				
⑤13116	13116-2057	4	Rod-Push				
⑤13271	13271-7007	1	Plate				
⑤13271A	13271-7021	1	Plate-Governor				
⑤42036A	42036-7010	1	Sleeve				
⑤49078	49078-7001	4	Spring-Valve, Engine				
⑤49118	49118-7004	1	Camshaft				
⑤92009	92009-2341	4	Screw				
⑤92015	92015-2253	4	Nut				
⑤92033	92033-7001	2	Ring-Snap				
⑤92140	92140-7002	6	Ball				
⑤92145	92145-7001	1	Spring				
⑤92153	92153-7019	4	Bolt				
⑤92200	92200-7001	1	Washer				

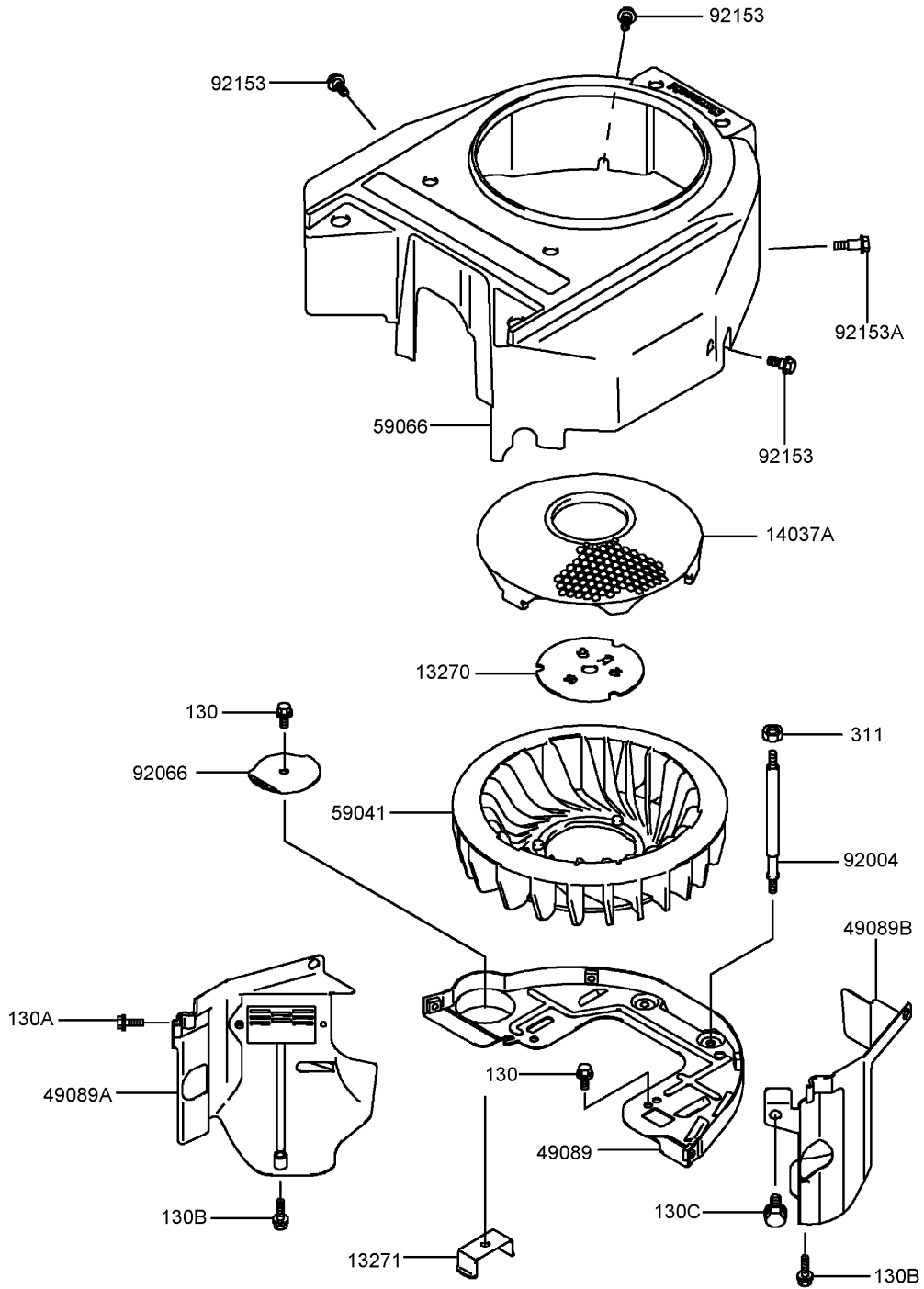
Lubrication Equipment Assembly Kawasaki FH541V-BS23-R



Lubrication Equipment Assembly Kawasaki FH541V-BS23-R

Ref	Part No.	Qty.	Description				
③13107	13107-7009	1	Shaft				
③13271	13271-7017	1	Plate				
③14075	14075-7009	1	Cap ASM				
③16154	16154-2053	1	Rotor-Pump (In)				
③16154A	16154-2054	1	Rotor-Pump (Out)				
③49065	49065-2078	1	Filter-Oil				
③49065A	49065-7004	1	Filter-Oil				
③59051	59051-7011	1	Gear-Spur				
③59231	59231-7005	1	Filler				
③92043	92043-7003	2	Pin				
③92066	92066-7003	2	Plug				
③92140	92140-7003	1	Ball				
③92145	92145-7002	1	Spring				
③130	130B0612	3	Bolt-Flanged				
③670	670D2016	3	O-Ring (16Mm)				

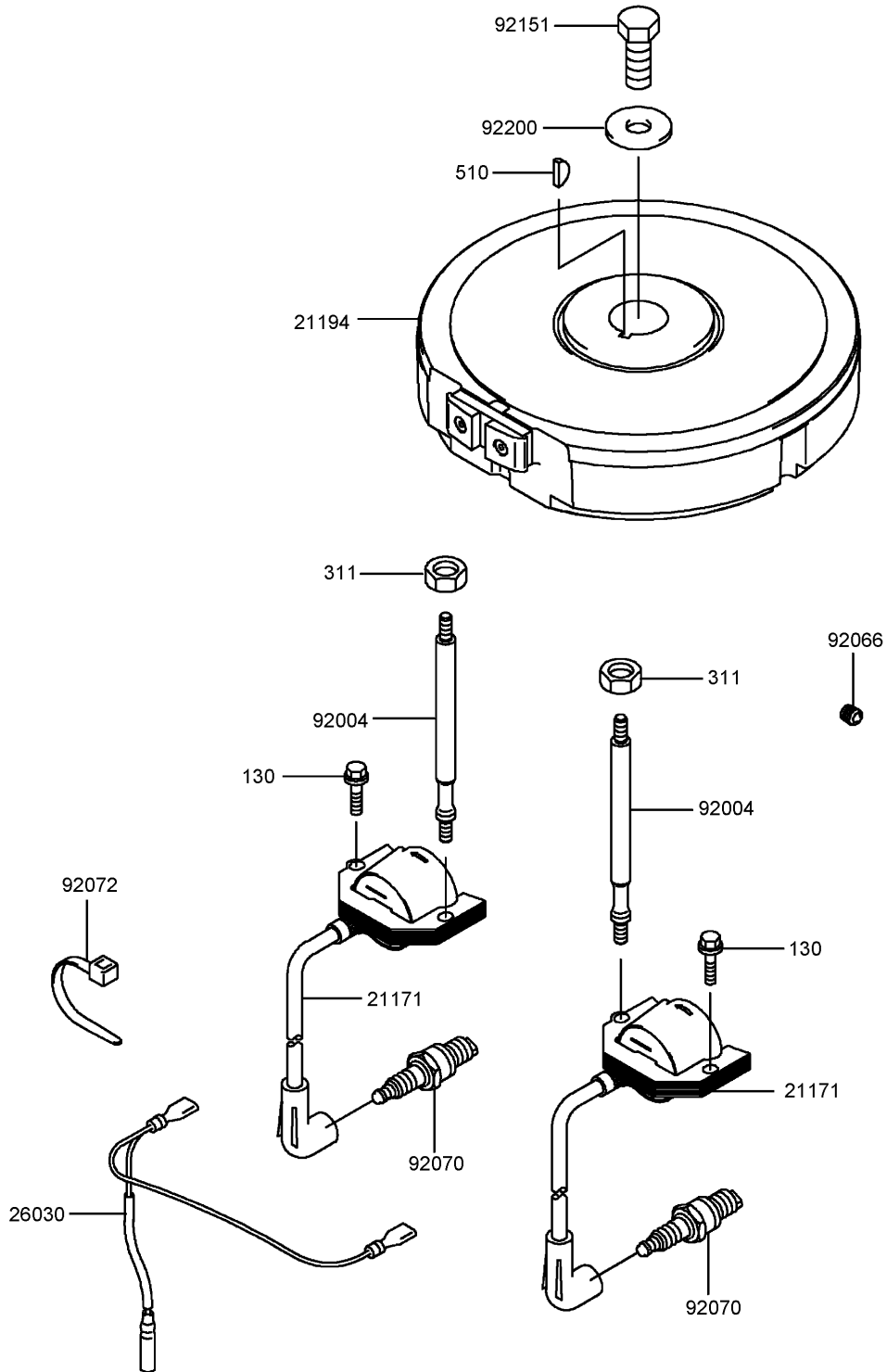
Cooling Equipment Assembly Kawasaki FH541V-BS23-R



Cooling Equipment Assembly Kawasaki FH541V-BS23-R

Ref	Part No.	Qty.	Description				
③13270	13270-7007	1	Plate				
③13271	13271-7002	1	Plate				
③14037A	14037-7025-9H	1	Screen				
③49089	49089-7032	1	Shroud-Engine				
③49089A	49089-7042	1	Shroud-Engine				
③49089B	49089-7043	1	Shroud-Engine				
③59041	59041-7010	1	Fan				
③59066	59066-7024	1	Housing-Fan				
③92004	92004-7006	2	Stud				
③92066	92066-7004	1	Plug				
③92153	92153-7007	3	Bolt				
③92153A	92153-7008	1	Bolt				
③130	130B0612	3	Bolt-Flanged				
③130A	130B0616	2	Bolt-Flanged				
③130B	130B0625	2	Bolt-Flanged				
③130C	130B0816	1	Bolt-Flanged				
③311	311B0600	2	Nut-Hex				

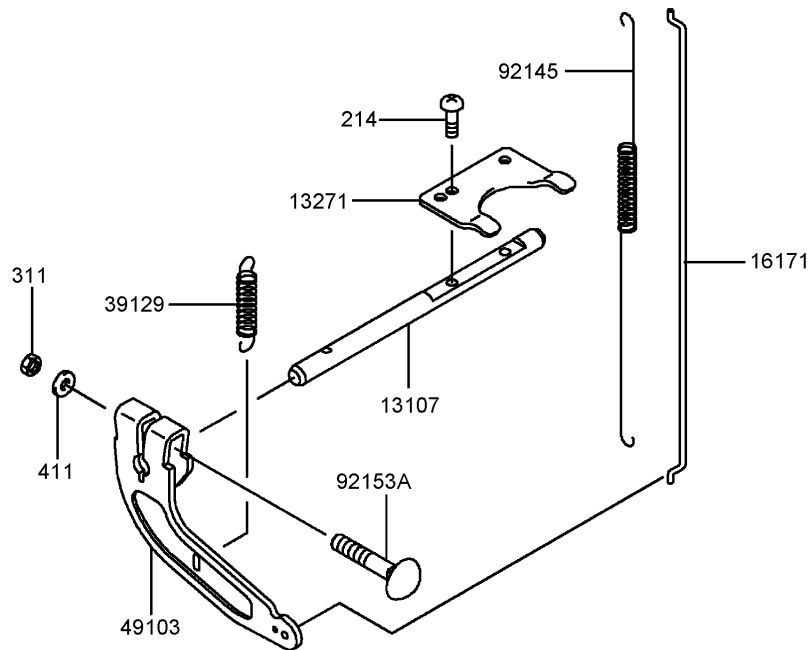
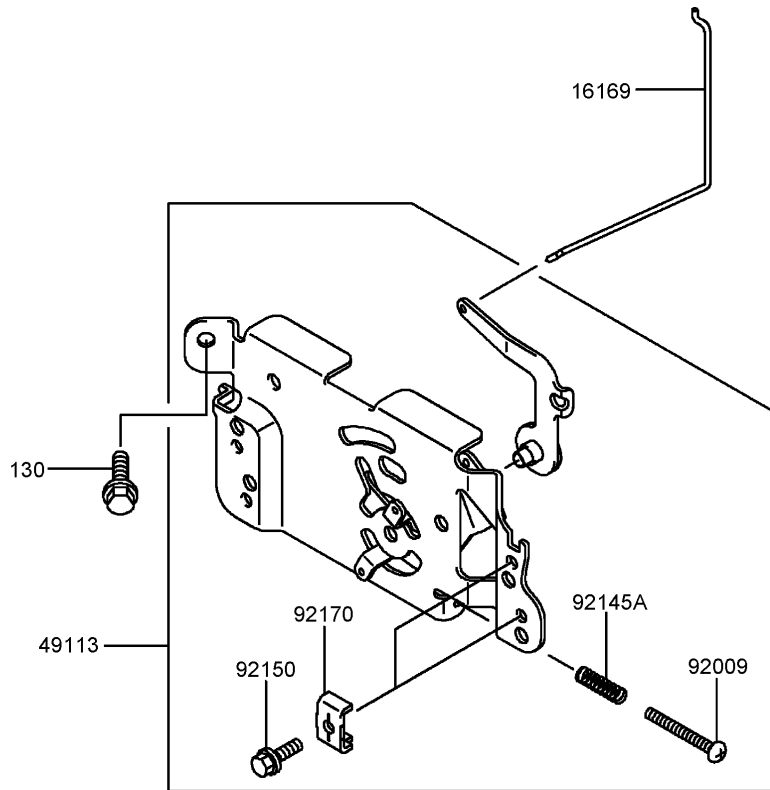
Electric Equipment Assembly Kawasaki FH541V-BS23-R



Electric Equipment Assembly Kawasaki FH541V-BS23-R

Ref	Part No.	Qty.	Description				
③21171	21171-7013	2	Ignition Coil ASM				
③21194	21194-7002	1	Flywheel				
③26030	26030-7001	1	Harness				
③92004	92004-7009	2	Stud				
③92066	92066-7002	1	Plug				
③92070	92070-7003	2	Plug-Spark (Rcj8Y, Solid)				
③92072	92072-7003	2	Band				
③92151	92151-2097	1	Bolt (12X30)				
③92200	92200-7002	1	Washer				
③130	130B0620	2	Bolt-Flanged				
③311	311B0600	2	Nut-Hex				
③510	510A5100	1	Key-Woodruff				

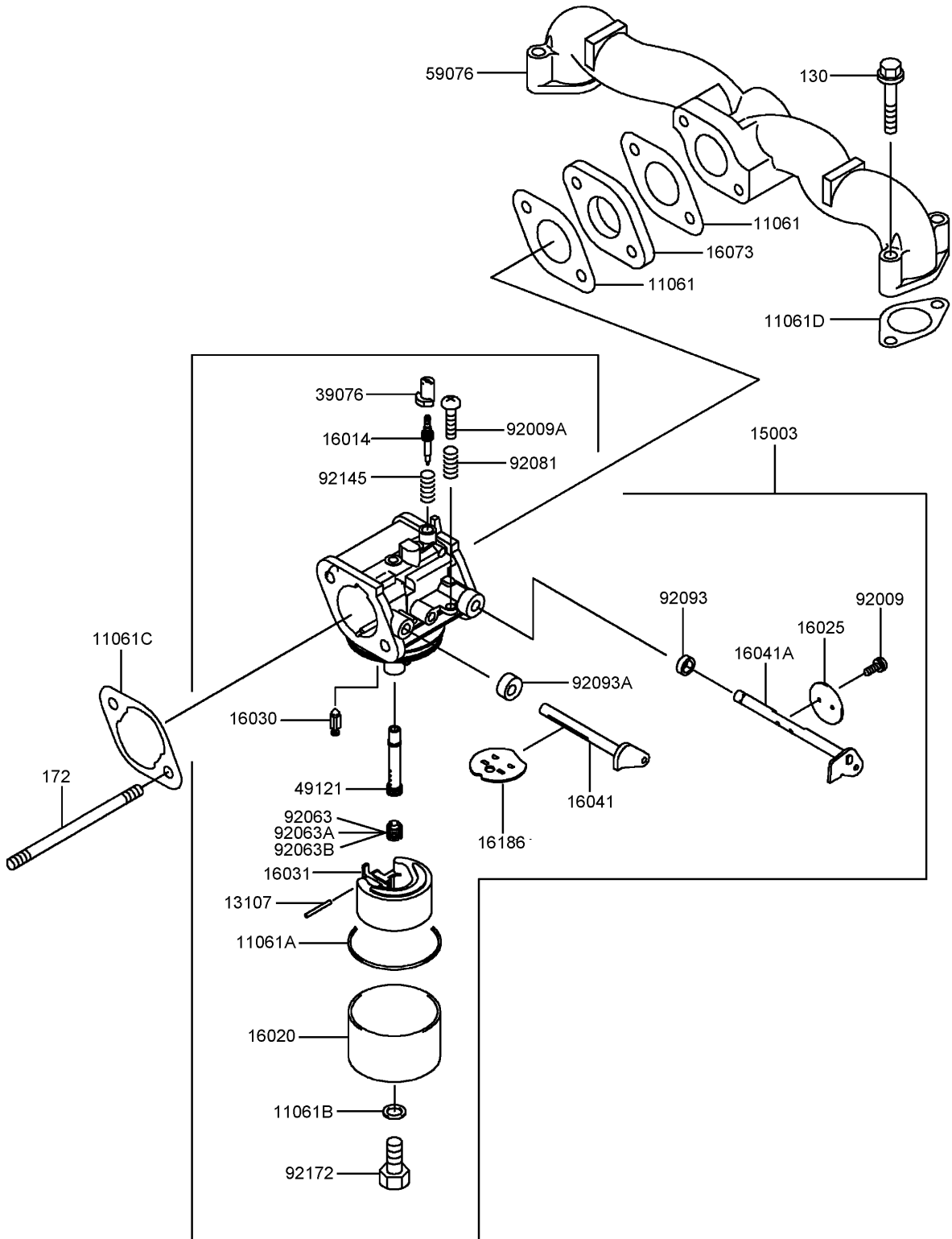
Control Equipment Assembly Kawasaki FH541V-BS23-R



Control Equipment Assembly Kawasaki FH541V-BS23-R

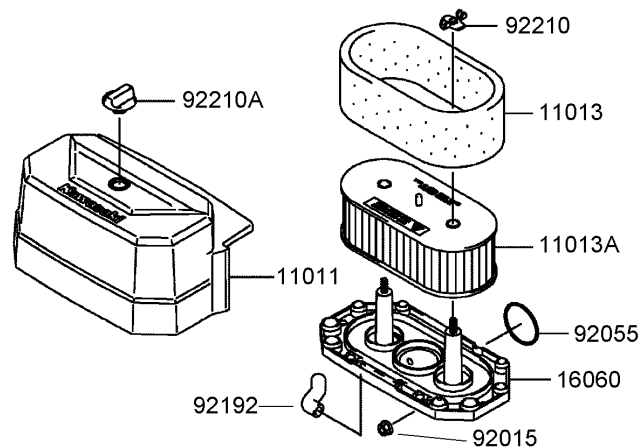
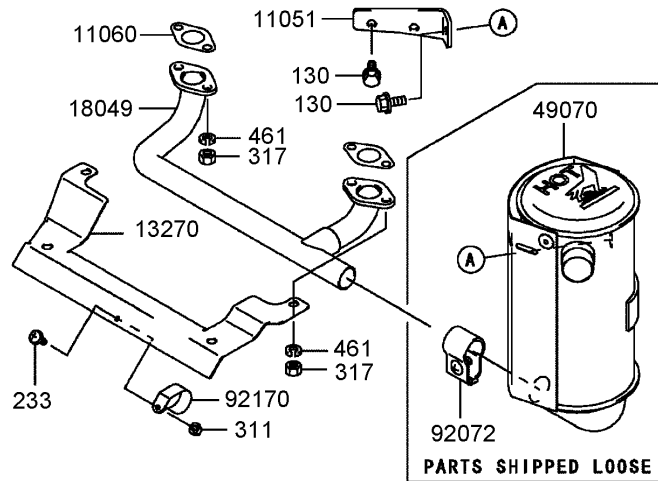
Ref	Part No.	Qty.	Description				
⑤13107	13107-7010	1	Shaft				
⑤13271	13271-7018	1	Plate				
⑤16169	16169-7010	1	Link-Choke				
⑤16171	16171-7001	1	Link				
⑤39129	39129-7003	1	Spring-Governor				
⑤49103	49103-7004	1	Arm-Governor				
⑤49113	49113-7024	1	Panel-Control				
⑤92009	92009-7007	1	Screw (4X35)				
⑤92145	92145-7003	1	Spring				
⑤92145A	92145-7005	1	Spring				
⑤92150	92150-2182	2	Bolt (5X18)				
⑤92153A	92153-7033	1	Bolt (6X35)				
⑤92170	92170-7001	2	Clamp				
⑤130	130B0612	2	Bolt-Flanged				
⑤214	214B0408	2	Screw-Pan				
⑤311	311B0600	1	Nut-Hex				
⑤411	411b0600	1	Washer-Plain				

Carburetor Assembly Kawasaki FH541V-BS23-R



Carburetor Assembly Kawasaki FH541V-BS23-R

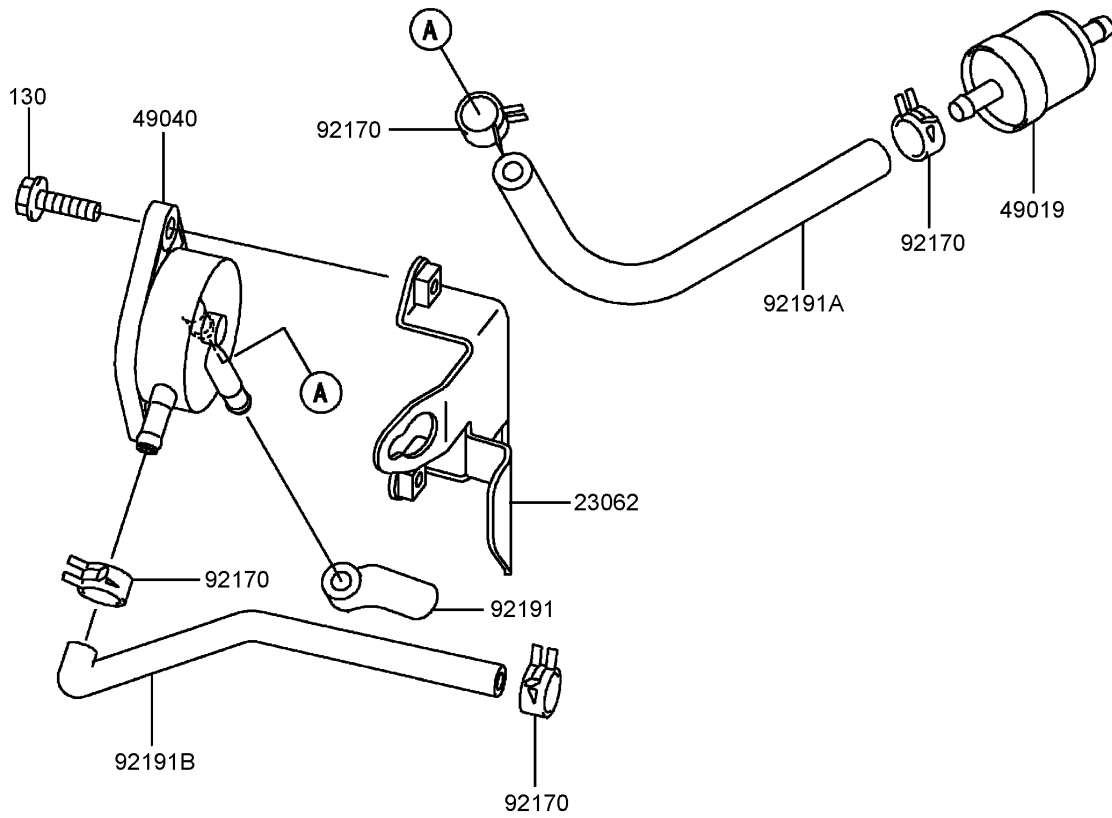
Ref	Part No.	Qty.	Description				
③11061	11061-7004	2	Gasket-Insulator				
③11061A	11061-7009	1	Gasket-Chamber				
③11061B	11061-7010	1	Gasket-Screw				
③11061C	11061-7018	1	Gasket-Cleaner, Air				
③11061D	11061-7019	2	Gasket				
③13107	13107-7018	1	Shaft				
③15003	15003-7107	1	Carburetor ASM				
③16014	16014-7007	1	Screw-Air, Pilot				
③16020	16020-7003	1	Chamber-Float				
③16025	16025-7006	1	Valve-Throttle				
③16030	16030-7003	1	Valve-Float				
③16031	16031-7002	1	Float				
③16041	16041-7016	1	Shaft-Choke, Carburetor				
③16041A	16041-7018	1	Shaft-Throttle, Carburetor				
③16073	16073-7007	1	Insulator				
③16186	16186-7004	1	Choke Valve ASM				
③39076	39076-7001	1	Limiter				
③49121	49121-7010	1	Nozzle-Main				
③59076	59076-7001	1	Manifold-Intake				
③92009	92009-2083	2	Screw				
③92009A	92009-2349	1	Screw				
③92063	92063-7062	1	Jet-Main, No.110				
③92063A	92063-7065	1	Jet-Main, No.112				
③92063B	92063-7066	1	Jet-Main, No.108				
③92081	92081-2234	1	Spring				
③92093	92093-2100	1	Seal				
③92093A	92093-7003	1	Seal				
③92145	92145-7015	1	Spring				
③92172	92172-7002	1	Screw				
③130	130B0635	4	Bolt-Flanged				
③172	172G0690	2	Bolt-Stud				



Air Filter and Muffler Assembly Kawasaki FH541V-BS23-R

Ref	Part No.	Qty.	Description
③11011	11011-7036	1	Case-Airfilter
③11013	11013-7025	1	Element-Filter, Air
③11013A	11013-7031	1	Element-Filter, Air
③11051	11051-7005-9H	1	Bracket
③11060	11060-7021	2	Gasket-Muffler
③13270	13270-7008	1	Plate
③16060	16060-7016	1	Pipe-Intake
③18049	18049-7001	1	Pipe-Exhaust
③49070	49070-7015	1	Muffler
③92015	92015-1193	2	Nut
③92055	92055-7015	1	Ring-O
③92072	92072-7008	1	Band
③92170	92170-7002	1	Clamp
③92192	92192-7010	1	Tube
③92210	92210-7004	2	Nut
③92210A	92210-7019	1	Nut
③130	130B0816	2	Bolt-Flanged
③233	233B0416	1	Screw
③311	311B0400	1	Nut-Hex
③317	317R0800	4	Nut-Hex
③461	461F0800	4	Washer-Spring

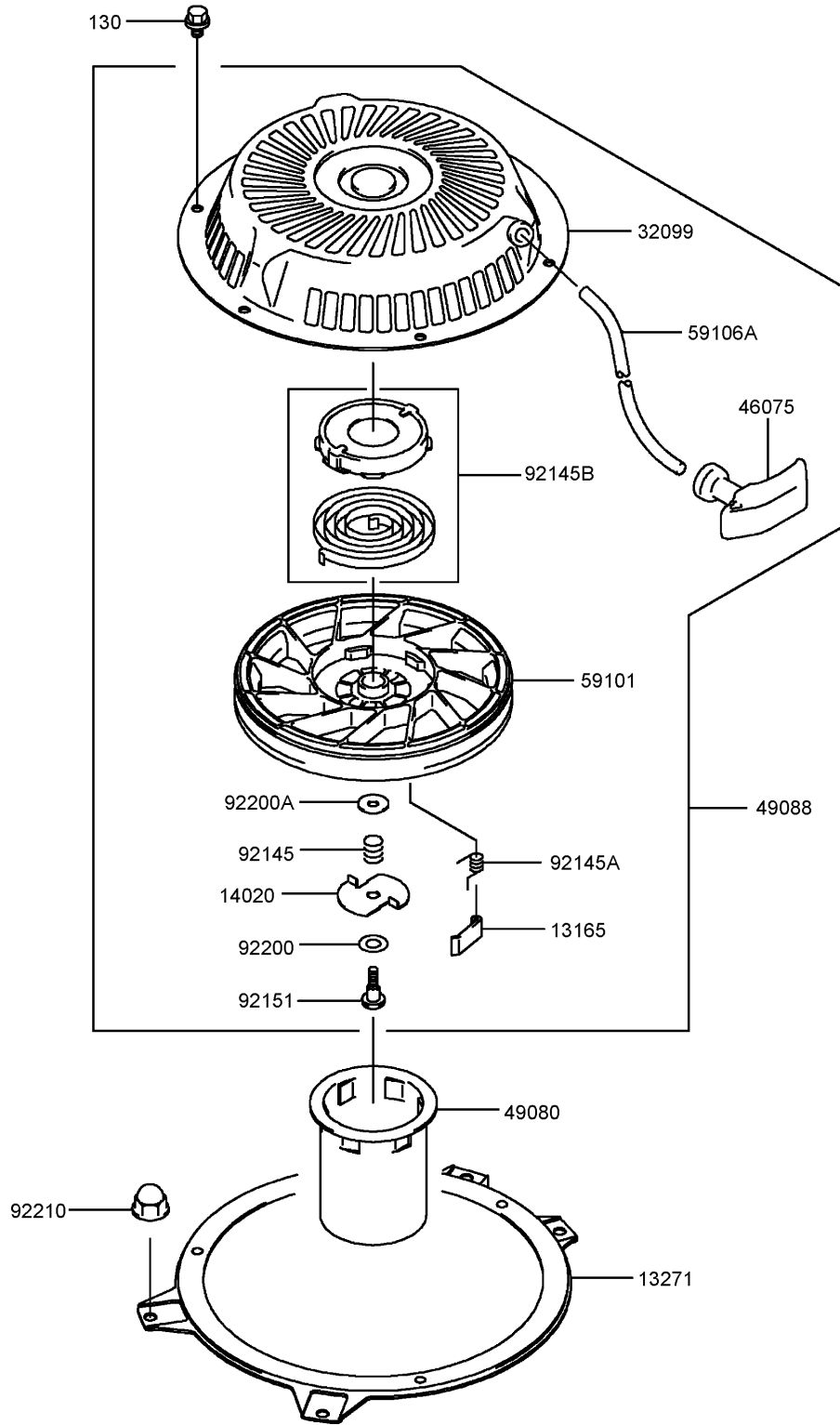
--	--	--	--



Fuel Tank and Valve Assembly Kawasaki FH541V-BS23-R

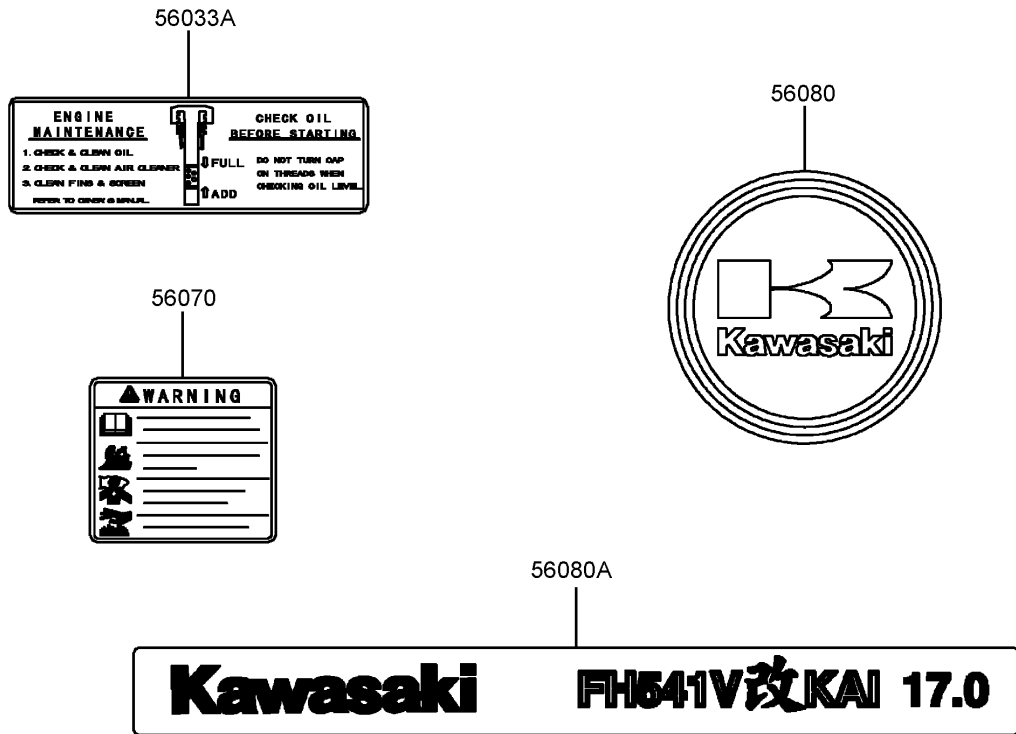
Ref	Part No.	Qty.	Description
②23062	23062-7004-9H	1	Bracket
②49019	49019-7001	1	Filter-Fuel
②49040	49040-7001	1	Pump-Fuel
②92170	92170-2088	4	Clamp
②92191	92191-7002	1	Tube
②92191A	92191-7003	1	Tube (6.35X12.7X160)
②92191B	92191-7004	1	Tube
②130	130B0620	2	Bolt-Flanged

Starter Assembly Kawasaki FH541V-BS23-R



Starter Assembly Kawasaki FH541V-BS23-R

Ref	Part No.	Qty.	Description				
③13165	13165-7001	2	Pawl-Starter, Recoil				
③13271	13271-7003-9H	1	Plate				
③14020	14020-7001	1	Retainer				
③32099	32099-7002	1	Case-Recoil, Starter				
③46075	46075-7001	1	Grip-Recoil, Starter				
③49080	49080-7001	1	Pulley-Starting				
③49088	49088-7013	1	Starter-Recoil				
③59101	59101-7001	1	Reel-Recoil				
③59106A	59106-7005	1	Rope				
③92145	92145-7006	1	Spring				
③92145A	92145-7007	2	Spring				
③92145B	92145-7008	1	Spring				
③92151	92151-7008	1	Bolt				
③92200	92200-7004	1	Washer				
③92200A	92200-7005	1	Washer				
③92210	92210-0003	4	Nut				
③130	130B0608	3	Bolt-Flanged				



Label Assembly Kawasaki FH541V-BS23-R

Ref	Part No.	Qty.	Description
⑤56033A	56033-7003	1	Label-Manual
⑤56070	56070-7001	1	Label-Warning
⑤56080	56080-2077	1	Label-Brand
⑤56080A	56080-7023	1	Label-Brand

Ref	Part No.	Qty.	Description

Attachments and Accessories

For 30988 - Commercial Walk-Behind Mower, Fixed Deck Pistol Grip Hydro with 48in TURBO FORCE Cutting Unit

Product Name	Model/Part
Blade-Low Flow, 16.5 Inch	107-3193-03
Blade-Mid Flow, 16.5 Inch	107-3194-03
Blade-Atomic, 16.5 Inch	107-3195-03
Blade-Recycling, 16.5 Inch	107-3196-03
Bagging Enhancement Kit	108-4091
48 Inch Recycler Kit	110-2060
Weight Kit	110-2085
Soft Bag (3 Bushel)	30104
Sulky	30109

NOTES

NOTES

