



CCR™ 2400 Snowthrower

Model No. 38414 - 8900001 and up.

Model No. 38417 - 8900001 and up.

Parts Catalog

Ordering Replacement Parts

To order replacement parts, please supply the part number, the quantity, and the description of each part desired.

Understanding Reference Numbers

Each identified part in an illustration has a reference number. The reference number for a part also appears in the parts list, along with other information about the part.

This catalog uses two special reference number formats, one to indicate parts in a service assembly and another to indicate the quantity of a given part in an illustration.

Service Assembly Reference Numbers

Parts in service assemblies have reference numbers in the form a:b. The a represents the reference number of the entire service assembly and the b represents a sequential number unique to each part within the service assembly.

For example, a wheel assembly might be identified by reference number 6, the tire by 6:1, the valve by 6:2, and the wheel by 6:3. When you order the assembly identified by reference number 6, you receive all parts identified by reference numbers 6:1, 6:2, and 6:3. However, you may also order any part individually. Reference numbers of this type appear in illustrations and in part lists.

Reference Numbers Indicating Quantity

In an illustration, if a reference number indicates more than one part, the reference number has the form nX y. The n represents the quantity of the part, the X is the multiplication symbol, and the y represents the reference number.

For example, in an illustration, the reference number 2X 37 means that two of the parts identified by reference number 37 are indicated.

Contents

Description	Page	Description	Page
Side Plate and Scraper Assembly 3	Handle Assembly 9
Pulley and Cover Assembly 4	Cylinder, Piston, and Connecting Rod	
Discharge Chute Assembly 5	Assemblies Briggs and Stratton 084133-0196- E1 10
Rotor Assembly 6	Muffler, Carburetor, and Intake Manifold	
Engine and Fuel Tank Assembly 7	Assemblies Briggs and Stratton 084133-0196- E1 11
Shroud Assembly 8	Flywheel, Blower Housing, and Starter	
		Assemblies Briggs and Stratton 084133-0196- E1 12

Part Description Abbreviations

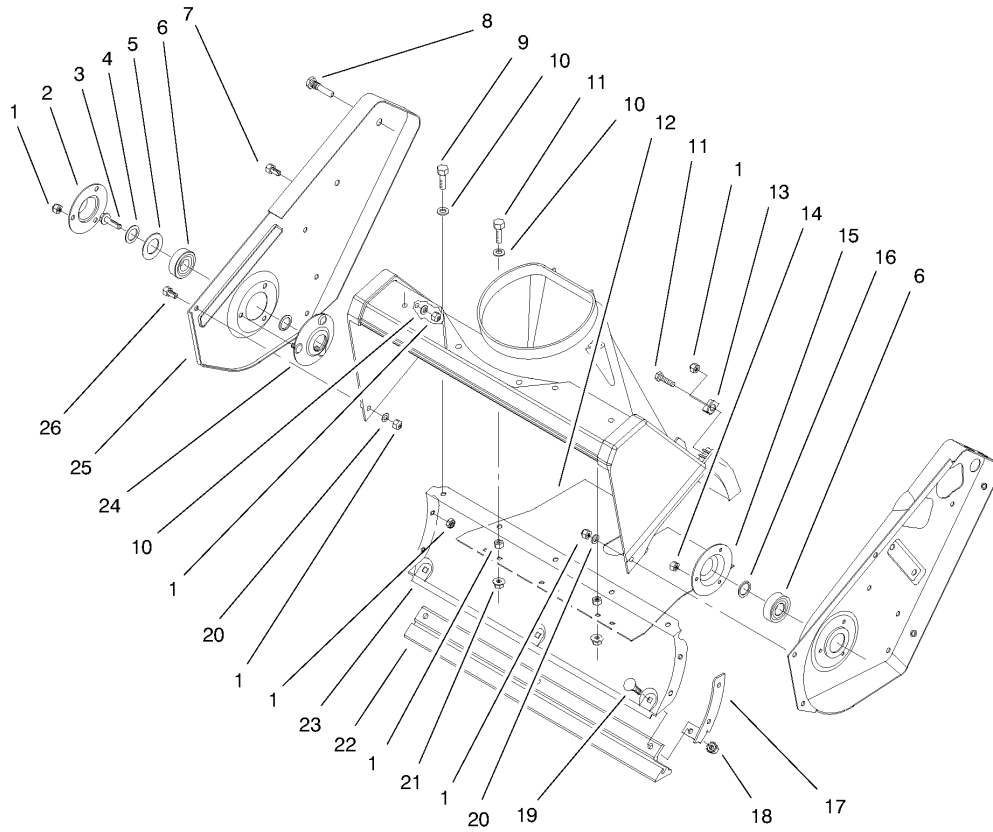
Part descriptions in this catalog may include the following abbreviations.

AR. as required	INC. incorporated
ASM. assembly	LH. left hand
BBC. blade brake clutch	NI. nylon insert
CARR. carriage	NPTF. national pipe thread fine
DEG. degrees	PFH. phillips flat head
EXT. external	PPH. phillips pan head
FH. flat head	PPHTF. phillips pan head thread forming
GA. gauge	PRH. phillips round head
HF. hex flange	PTH. phillips truss head
HH. hex head	PTO. power-take-off
HHF. hex head flange	RH. right hand
HHFTF. hex head flange thread forming	ROPS. roll-over-protection-system
HJ. hex jam	SFH. slotted fillister head
HLH. hex lag head	SHH. slotted hex head
HOC. height-of-cut	SHWH. slotted hex washer head
HSBH. hex socket button head	SPH. slotted pan head
HSFH. hex socket flat head	SQH. square head
HSH. hex socket head	SRH. slotted round head
HWH. hex washer head	STD. standard
HWHTF. hex washer head thread forming	TAP. self tapping
HYD. hydraulic	TTH. torx truss head

Footnotes

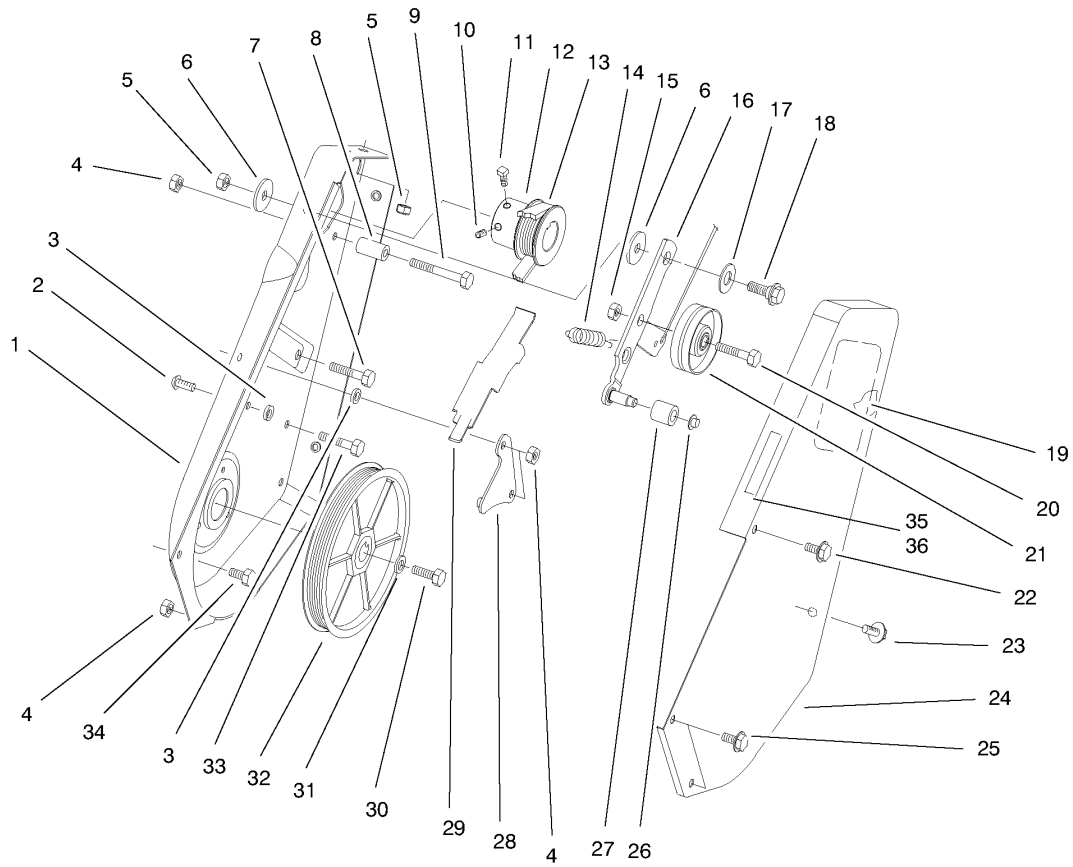
❶ Not serviced separately

❷ Obtain from your local Briggs & Stratton dealer



Side Plate and Scraper Assembly

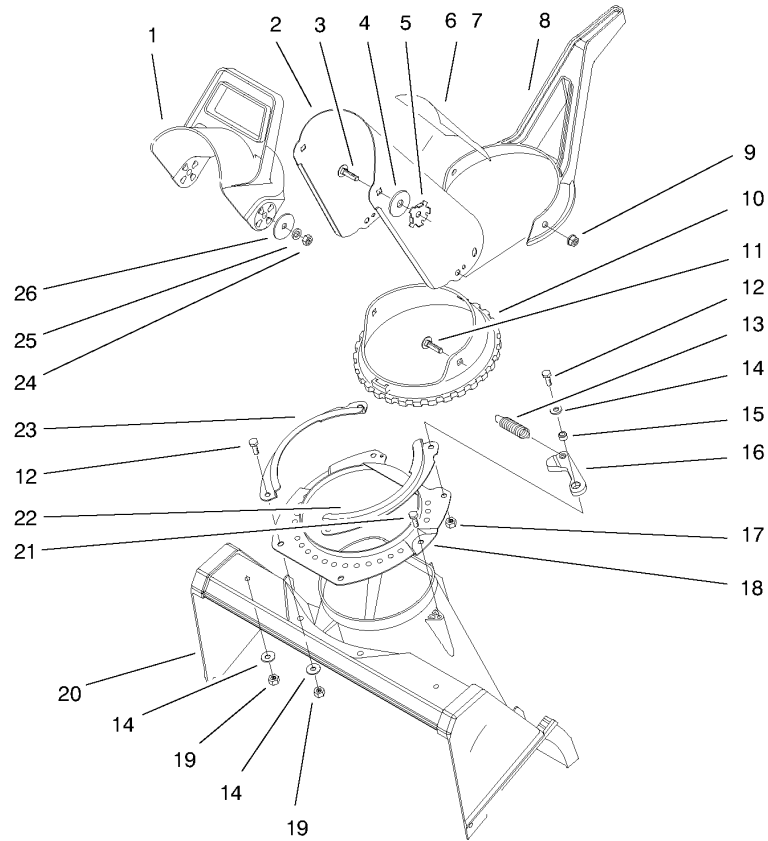
Ref	Part No.	Qty.	Description	Ref	Part No.	Qty.	Description
1	3296-42	16	Nut-Lock, NI	25	55-8840-01	1	Sideplate-RH
2	52-7290	1	Trough	26	32105-15	5	Screw
3	3234-25	1	Screw-HHF				
4	3256-24	1	Washer-Flat				
5	52-7270	1	Washer-Rubber				
6	38-7820	2	Bearing-Ball				
7	322-43	1	Screw-HH				
8	38-8211	1	Pin-Rotor				
9	321-4	3	Screw-HH				
10	3256-22	7	Washer-Flat				
11	321-6	3	Screw-HH				
12	55-9512	1	Cover-Bottom				
13	55-9430	1	Bracket-Housing				
14	3296-2	3	Nut-Lock				
15	38-8620	1	Flange-Bearing				
16	52-7280	2	Washer-Thrust				
17	56-2610	1	Bracket-Housing, Lower				
18	32149-2	3	Nut-Keps				
19	3229-11	3	Screw-CARR				
20	3256-67	2	Washer-Flat				
21	32128-10	2	Nut-Lock, HHF				
22	55-8760	1	Scraper				
23	55-9220-01	1	Wa-Housing				
24	52-9110	1	Flange-Bearing				



Pulley and Cover Assembly

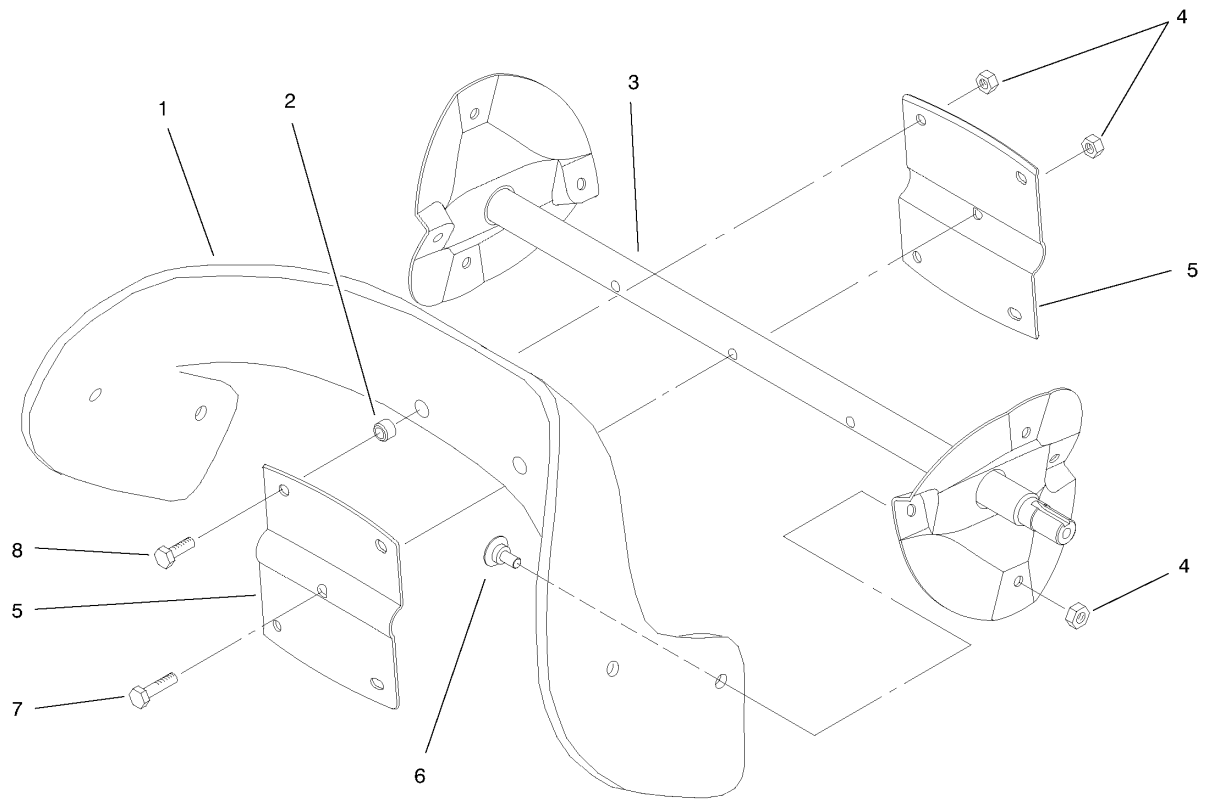
Ref	Part No.	Qty.	Description
1	55-8851-01	1	Sideplate-LH
2	3274-31	1	Screw-HSBH
3	55-9620	2	Spacer-Plate, Pivot
4	3296-42	5	Nut-Lock, NI
5	3296-29	3	Nut-Lock, NI
6	5-4460	2	Washer-Pivot
7	322-3	2	Screw-HH
8	55-9530	1	Sleeve-Guide, Belt
9	321-13	1	Screw-HH
10	3245-41	1	Screw-HSH
11	3241-7	1	Screw-SQH
12	55-9180	1	Engine Pulley
13	55-9300	1	Belt - Drive
14	55-9280	1	Spring-Extension
15	32152-2	1	Nut-Lock, Cone
16	63-3610	1	Idler Arm ASM
17	25-5640	1	Washer
18	27-0410	1	Screw-Shoulder
19	60-9480	1	Decal
20	323-29	1	Screw-HH
21	55-9290	1	Pulley-Idler
22	36-3860	1	Screw-HWH, TAP
23	12-3270	2	Screw
24	55-9010-01	1	Cover-Drive

Ref	Part No.	Qty.	Description
25	32105-15	2	Screw
26	32112-11	1	Nut-Push
27	55-9520	1	Roller-Brake
28	55-9570	1	Pivot Plate ASM
29	55-9550	1	Brake-Arm
30	321-30	1	Screw-HH
31	3290-456	1	Washer-Belleville
32	60-9320	1	Rotor Pulley Asy
33	321-4	2	Screw-HH
34	32105-8	3	Screw-SHH
35	95-1904	1	Decal-Hot
36	94-2561	1	Decal-Hot



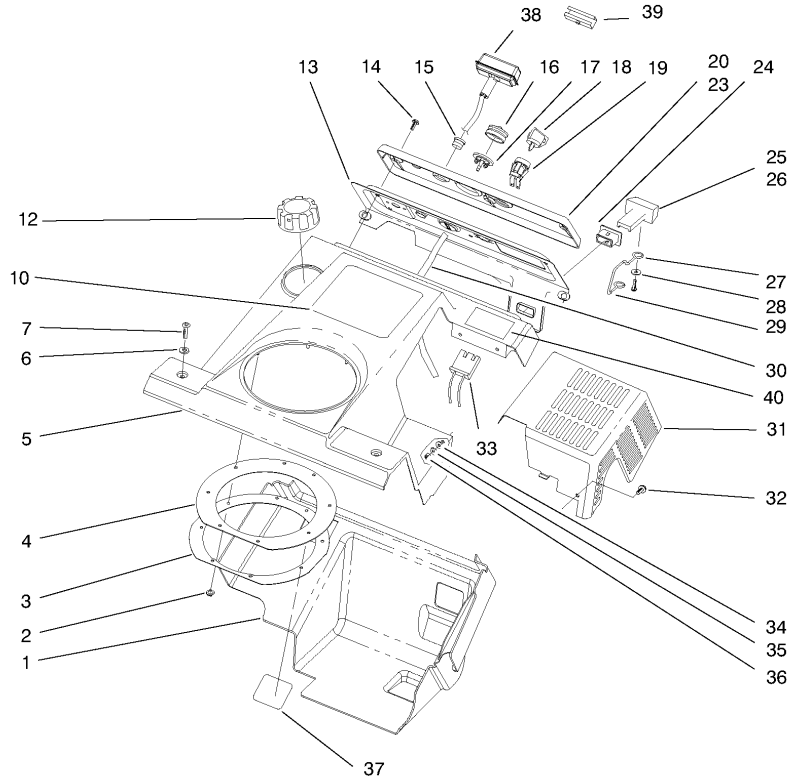
Discharge Chute Assembly

Ref	Part No.	Qty.	Description	Ref	Part No.	Qty.	Description
1	56-2680	1	Chute-Deflector	23	71-4990-01	1	Retainer-Chute Ring
2	60-8690-01	1	Chute-Discharge	24	3296-29	2	Nut-Lock, NI
2	94-2790	1	Chute ASM W/Decal	25	3290-456	2	Washer-Belleville
2	94-2791	1	Chute ASM W/Decal	26	3256-68	2	Washer-Flat
3	3230-22	2	Screw-CARR				
4	20-4320	2	Washer-Rubber				
5	55-8950	2	Plate-Friction				
6	94-2900	1	Decal - Danger Discharge				
7	94-2901	1	Decal-Danger				
8	94-9914	1	Handle-Control, Chute				
9	32149-1	3	Nut-Keps				
10	71-4950	1	Gear Ring, Chute				
11	3230-23	3	Screw-CARR				
12	321-4	4	Screw-HH				
13	80-4600	1	Spring-Extension				
14	3256-22	5	Washer-Flat				
15	55-9370	1	Spacer-Blade, Rotor				
16	80-4610	1	Detent				
17	3296-56	1	Nut-Lock, NI				
18	55-8921-01	1	Ring-Chute Support				
19	3296-42	5	Nut-Lock, NI				
20	55-8700	1	Housing				
21	46-8092	2	Screw-Plastite				
22	71-4980-01	1	LH Chute Ring Retr *red				



Rotor Assembly

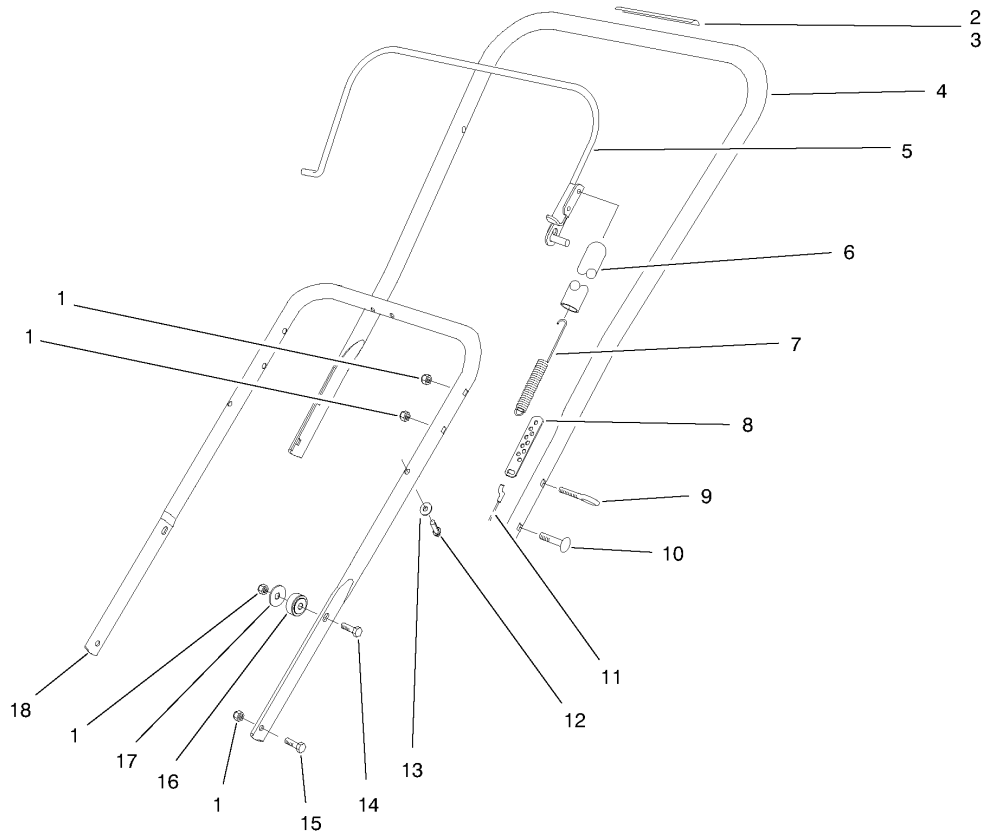
Ref	Part No.	Qty.	Description	
1	88-0771	2	Blade-Rotor	
2	55-9370	4	Spacer-Blade, Rotor	
3	55-9202-01	1	Rotor	
4	3296-56	12	Nut-Lock, NI	
5	66-6600-01	2	Rotor	
6	84-1971	8	Screw	
7	321-8	1	Screw-HH	
8	321-4	4	Screw-HH	



Shroud Assembly

Ref	Part No.	Qty.	Description
1	94-9919	1	Shroud - Lower
2	3290-474	8	Palnut
3	55-9540-01	1	Chute Seal Retainer *red
4	55-9260	1	Seal-Chute
5	94-9925	1	Shroud - Upper
6	3256-22	2	Washer-Flat
7	3250-32	2	Screw-PPH
10	98-1356	1	Decal - Ccr 2400 Gts E
12	55-3573	1	Cap-Fuel ASM
13	55-9490-01	1	Wa-Panel
14	32144-112	3	Screw-HWH
15	55-9410	1	Guide-Rope, Starter
16	66-7460	1	Bulb-Primer
17	44-2750	1	Body-Primer
18	63-8360	1	Key-Ignition
19	40-5940	1	Switch
20	94-2569	1	Plate
23	61-4410	1	Plate-Name
24	55-8820	1	Fitting
25	55-8811	1	Choke Control
26	55-8810	1	Control-Choke
27	3256-49	1	Washer-Flat
28	32144-111	1	Screw-PPH
29	95-7439	1	Linkage-Choke

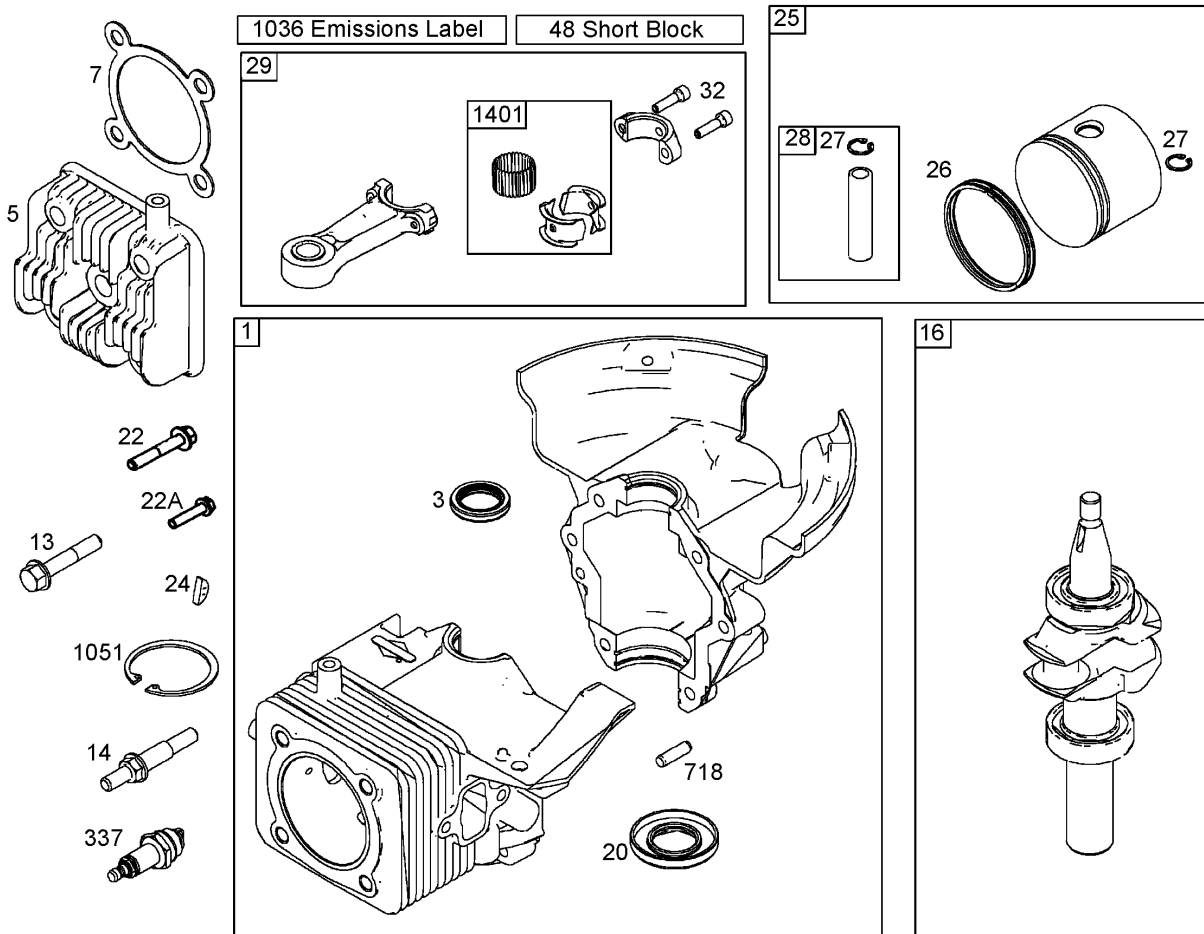
Ref	Part No.	Qty.	Description
30	98-1372	1	Hose-Primer
31	94-9924-01	1	Shield-Heat
32	32105-8	3	Screw-SHH
33	218-532	1	Connector-Body
34	55-9660	3	Washer
35	3256-14	3	Washer-Flat
36	3296-12	3	Nut-Lock
37	61-4790	1	Decal
38	612825	1	Handle-Start
39	612824	1	Clip-Starter
40	98-1373	1	Decal



Handle Assembly

Ref	Part No.	Qty.	Description
1	3296-29	8	Nut-Lock, NI
2	66-6870	1	Decal - Rotor Drive
3	94-2577	1	Decal-Rotor Drive
4	94-9909-01	1	Handle-Upper
4	95-2667	1	Handle-Upper
4	95-2668	1	Handle-Upper W/Decal
5	71-5120-01	1	Bail
6	71-5530	1	Cover-Spring
7	71-5480	1	Spring-Clutch
8	55-9380	1	Adjuster-Cable
9	55-9420	1	Bolt-Eye
10	17-9424	3	Screw
11	94-9922	1	Cable-Clutch
12	61-8640	2	Screw
13	3-7501	2	Washer
14	322-17	2	Screw-HH
15	322-3	2	Screw-HH
16	94-9923	2	Spacer - Lower Handle
17	3256-68	2	Washer-Flat
18	55-9121-01	1	Handle-Lower

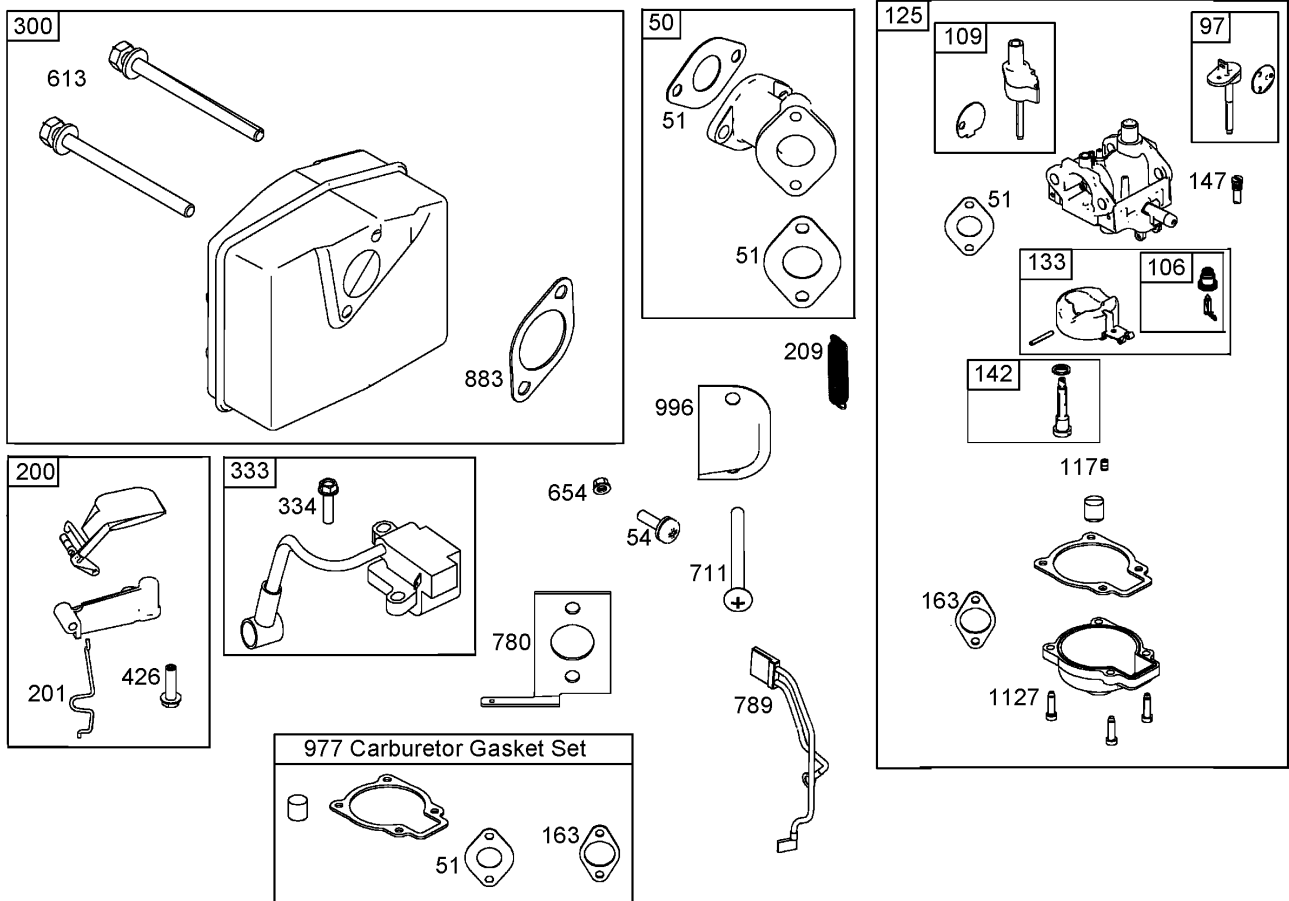
--	--	--	--



Cylinder, Piston, and Connecting Rod Assemblies Briggs and Stratton 084133-0196-E1

Ref	Part No.	Qty.	Description
1	801322	1	Cylinder ASM
3	801262	1	Seal-Oil
5	801283	1	Head-Cylinder
7	801263	1	Gasket-Head, Cylinder
13	801264	1	Screw (Cylinder Head)
14	801265	1	Stud (Cylinder Head)
22	801266	1	Screw (Crankcase And Cover Sump)
22A	801271	1	Screw (Crankcase And Cover Sump)
24	801234	1	Key-Flywheel
25	801279	1	Piston ASM
26	801280	1	Ring Set
27	801275	1	Lock-Pin, Piston
28	801276	1	Pin-Piston
29	801277	1	Rod-Connecting
32	801278	1	Screw
48	801285	1	Short Block
337	801254	1	Plug-Spark
718	690959	1	Pin-Locating
1036	801294	1	Label-Emissions
1051	801274	1	Ring-Retaining

Ref	Part No.	Qty.	Description
1401	801290	1	Roller-Strip



Muffler, Carburetor, and Intake Manifold Assemblies Briggs and Stratton 084133-0196-E1

Ref	Part No.	Qty.	Description
●50	801232	1	Manifold-Intake
●51	801224	1	Gasket-Intake
●54	801230	1	Screw (Intake Manifold)
●97	801306	1	Shaft-Throttle
●106	801317	1	Seat-Inlet
●109	801307	1	Shaft-Choke
●117	801310	1	Jet-Main
●125	801233	1	Carburetor
●133	801316	1	Float-Carburetor
●142	801313	1	Nozzle-Carburetor
●147	801308	1	Jet-Pilot
●163	801227	1	Gasket-Cleaner, Air
●200	801289	1	Blade-Governor
●201	801225	1	Link-Vane, Air
●209	801223	1	Spring-Governor
●300	801250	1	Muffler
●333	801268	1	Armature-Magneto
●334	801267	1	Screw
●426	801231	1	Screw
●613	801251	1	Screw
●654	801324	1	Nut (Intake Manifold) (Used Before Engine Code Date 05042600)
●711	801229	1	Screw (Starter Motor)

Ref	Part No.	Qty.	Description
●780	801228	1	Anchor-Spring
●789	801253	1	Wire ASM
●883	801252	1	Gasket-Exhaust
●977	801312	1	Gasket Set-Carburetor
●996	801226	1	Shield-Carburetor
●1127	801318	1	Screw

NOTES

NOTES

NOTES

