



## CCR™ 2500 Snowthrower

Model No. 38422 - 8900001 and up.

Model No. 38423 - 8900001 and up.

### Parts Catalog

---

#### Ordering Replacement Parts

To order replacement parts, please supply the part number, the quantity, and the description of each part desired.

#### Understanding Reference Numbers

Each identified part in an illustration has a reference number. The reference number for a part also appears in the parts list, along with other information about the part.

This catalog uses two special reference number formats, one to indicate parts in a service assembly and another to indicate the quantity of a given part in an illustration.

#### Service Assembly Reference Numbers

Parts in service assemblies have reference numbers in the form a:b. The a represents the reference number of the entire service assembly and the b represents a sequential number unique to each part within the service assembly.

For example, a wheel assembly might be identified by reference number 6, the tire by 6:1, the valve by 6:2, and the wheel by 6:3. When you order the assembly identified by reference number 6, you receive all parts identified by reference numbers 6:1, 6:2, and 6:3. However, you may also order any part individually. Reference numbers of this type appear in illustrations and in part lists.

#### Reference Numbers Indicating Quantity

In an illustration, if a reference number indicates more than one part, the reference number has the form nX y. The n represents the quantity of the part, the X is the multiplication symbol, and the y represents the reference number.

For example, in an illustration, the reference number 2X 37 means that two of the parts identified by reference number 37 are indicated.

# Contents

Description	Page	Description	Page
Side Plate and Scraper Assembly	..... 3	Handle Assembly	..... 9
Pulley and Cover Assembly	..... 4	Cylinder, Piston, and Connecting Rod	
Discharge Chute Assembly	..... 5	Assemblies Briggs and Stratton 084232-0121- E1	..... 10
Rotor Assembly	..... 6	Muffler, Carburetor, and Intake Manifold	
Engine and Fuel Tank Assembly	..... 7	Assemblies Briggs and Stratton 084232-0121- E1	..... 11
Shroud Assembly	..... 8	Flywheel, Blower Housing and Starter	
		Assemblies Briggs and Stratton 084232-0121- E1	..... 12

## Part Description Abbreviations

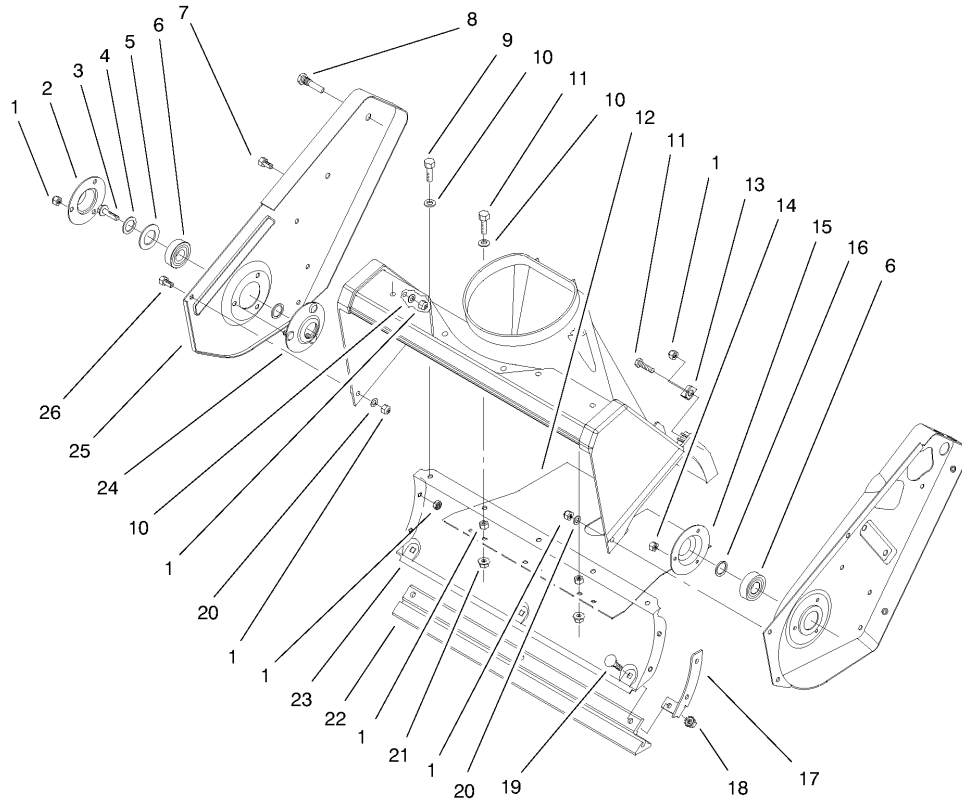
Part descriptions in this catalog may include the following abbreviations.

AR. .... as required	INC. .... incorporated
ASM. .... assembly	LH. .... left hand
BBC. .... blade brake clutch	NI. .... nylon insert
CARR. .... carriage	NPTF. .... national pipe thread fine
DEG. .... degrees	PFH. .... phillips flat head
EXT. .... external	PPH. .... phillips pan head
FH. .... flat head	PPHTF. .... phillips pan head thread forming
GA. .... gauge	PRH. .... phillips round head
HF. .... hex flange	PTH. .... phillips truss head
HH. .... hex head	PTO. .... power-take-off
HHF. .... hex head flange	RH. .... right hand
HHFTF. .... hex head flange thread forming	ROPS. .... roll-over-protection-system
HJ. .... hex jam	SFH. .... slotted fillister head
HLH. .... hex lag head	SHH. .... slotted hex head
HOC. .... height-of-cut	SHWH. .... slotted hex washer head
HSBH. .... hex socket button head	SPH. .... slotted pan head
HSFH. .... hex socket flat head	SQH. .... square head
HSH. .... hex socket head	SRH. .... slotted round head
HWH. .... hex washer head	STD. .... standard
HWHTF. .... hex washer head thread forming	TAP. .... self tapping
HYD. .... hydraulic	TTH. .... torx truss head

## Footnotes

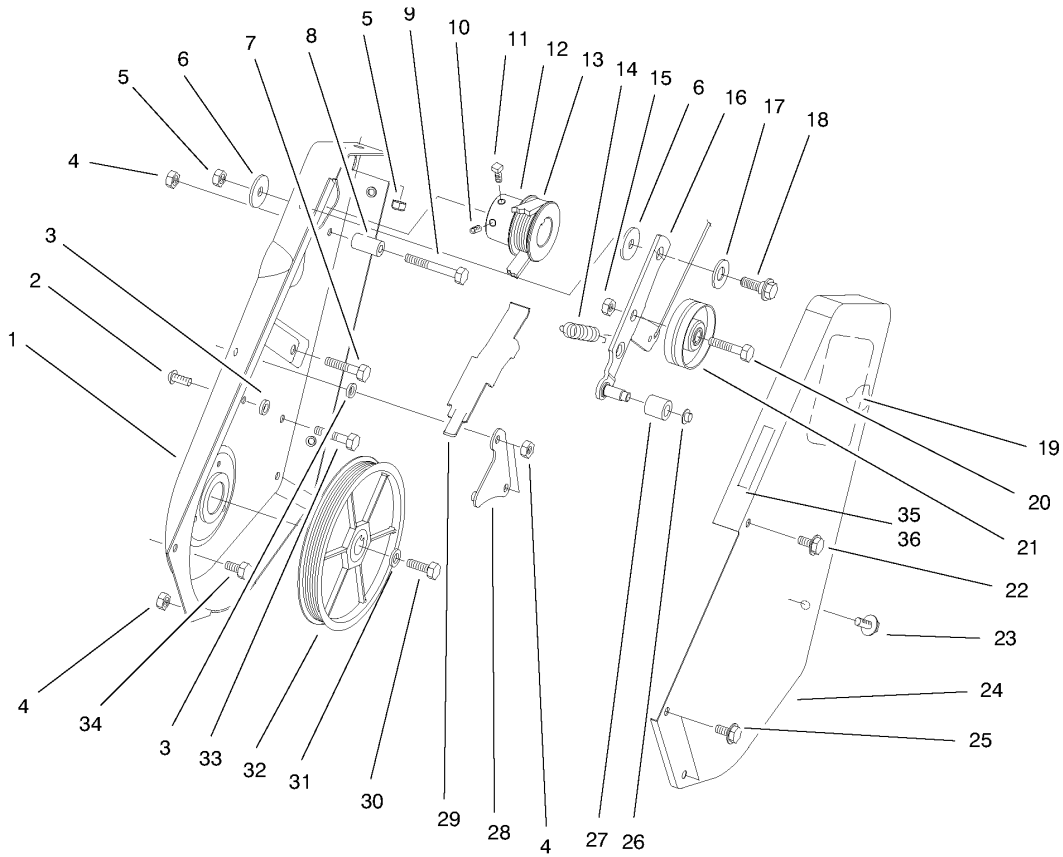
❶ Not serviced separately

❷ Obtain from your local Briggs & Stratton dealer



## Side Plate and Scraper Assembly

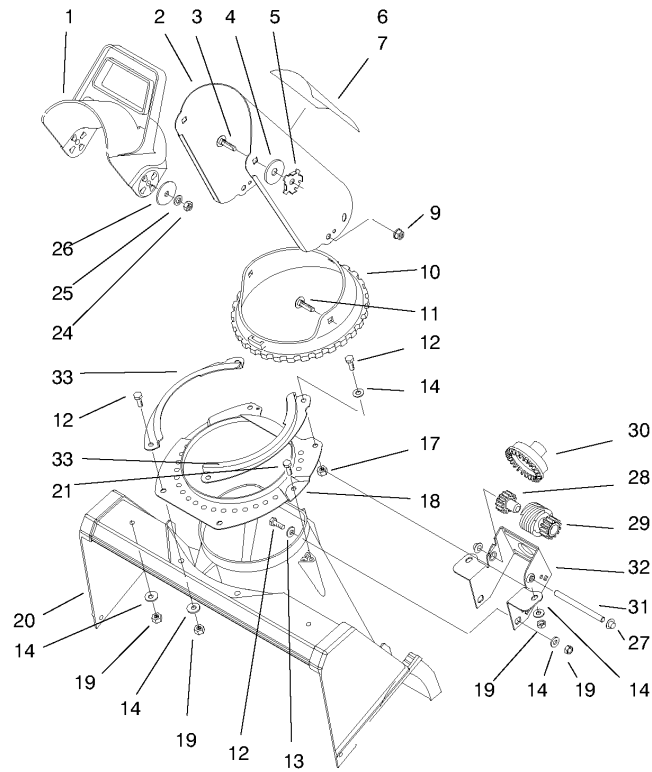
Ref	Part No.	Qty.	Description	Ref	Part No.	Qty.	Description
1	3296-42	16	Nut-Lock, NI	25	55-8840-01	1	Sideplate-RH
2	52-7290	1	Trough	26	32105-15	5	Screw
3	3234-25	1	Screw-HHF				
4	3256-24	1	Washer-Flat				
5	52-7270	1	Washer-Rubber				
6	38-7820	2	Bearing-Ball				
7	322-43	1	Screw-HH				
8	38-8211	1	Pin-Rotor				
9	321-4	3	Screw-HH				
10	3256-22	7	Washer-Flat				
11	321-6	3	Screw-HH				
12	55-9512	1	Cover-Bottom				
13	55-9430	1	Bracket-Housing				
14	3296-2	3	Nut-Lock				
15	38-8620	1	Flange-Bearing				
16	52-7280	2	Washer-Thrust				
17	56-2610	1	Bracket-Housing, Lower				
18	32149-2	3	Nut-Keps				
19	3229-11	3	Screw-CARR				
20	3256-67	2	Washer-Flat				
21	32128-10	2	Nut-Lock, HHF				
22	55-8760	1	Scraper				
23	55-9220-01	1	Wa-Housing				
24	52-9110	1	Flange-Bearing				



## Pulley and Cover Assembly

Ref	Part No.	Qty.	Description
1	55-8851-01	1	Sideplate-LH
2	3274-31	1	Screw-HSBH
3	55-9620	2	Spacer-Plate, Pivot
4	3296-42	5	Nut-Lock, NI
5	3296-29	3	Nut-Lock, NI
6	5-4460	2	Washer-Pivot
7	322-3	2	Screw-HH
8	55-9530	1	Sleeve-Guide, Belt
9	321-13	1	Screw-HH
10	3245-41	1	Screw-HSH
11	3241-7	1	Screw-SQH
12	55-9180	1	Engine Pulley
13	55-9300	1	Belt - Drive
14	55-9280	1	Spring-Extension
15	32152-2	1	Nut-Lock, Cone
16	63-3610	1	Idler Arm ASM
17	25-5640	1	Washer
18	27-0410	1	Screw-Shoulder
19	60-9480	1	Decal
20	323-29	1	Screw-HH
21	55-9290	1	Pulley-Idler
22	36-3860	1	Screw-HWH, TAP
23	12-3270	2	Screw
24	55-9010-01	1	Cover-Drive

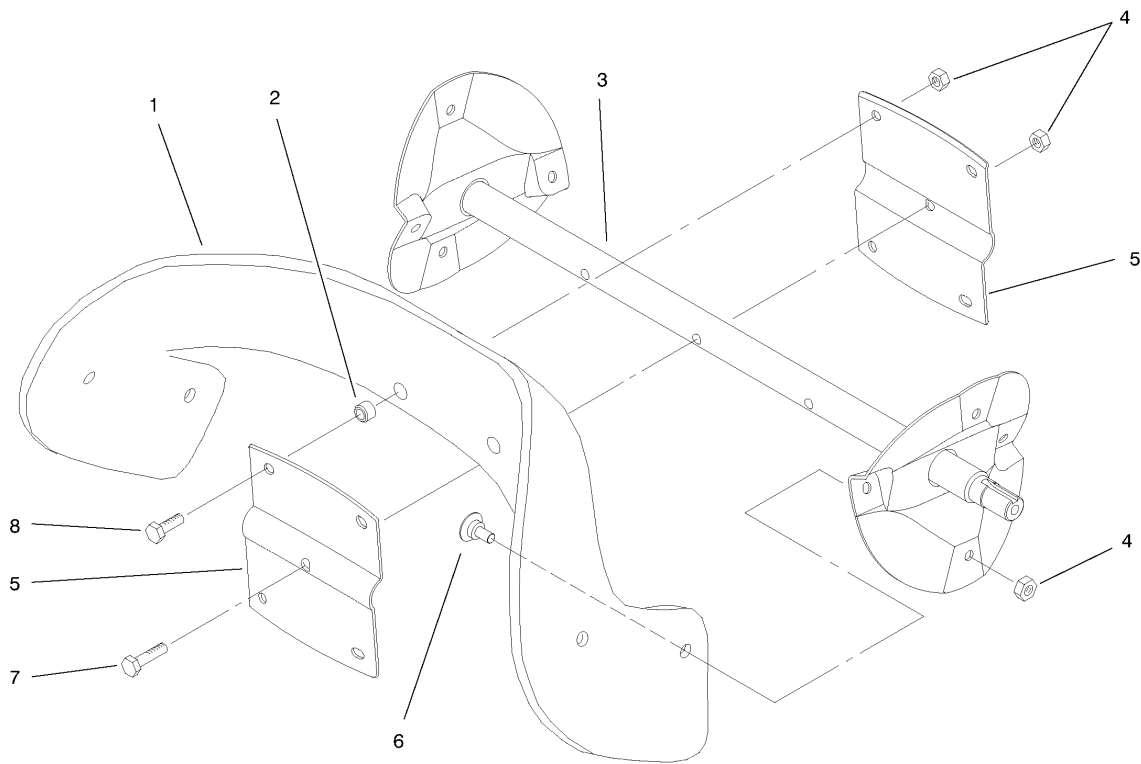
Ref	Part No.	Qty.	Description
25	32105-15	2	Screw
26	32112-11	1	Nut-Push
27	55-9520	1	Roller-Brake
28	55-9570	1	Pivot Plate ASM
29	55-9550	1	Brake-Arm
30	321-30	1	Screw-HH
31	3290-456	1	Washer-Belleville
32	60-9320	1	Rotor Pulley Asy
33	321-4	2	Screw-HH
34	32105-8	3	Screw-SHH
35	95-1904	1	Decal-Hot
36	94-2561	1	Decal-Hot



## Discharge Chute Assembly

Ref	Part No.	Qty.	Description
1	56-2680	1	Chute-Deflector
2	60-8690-01	1	Chute-Discharge
2	94-2790	1	Chute ASM W/Decal
2	94-2791	1	Chute ASM W/Decal
3	3230-22	2	Screw-CARR
4	20-4320	2	Washer-Rubber
5	55-8950	2	Plate-Friction
6	94-2900	1	Decal - Danger Discharge
7	94-2901	1	Decal-Danger
9	32149-1	3	Nut-Keps
10	55-8720	1	Ring-Gear, Chute
11	3230-18	3	Screw-CARR
12	321-4	6	Screw-HH
14	3256-22	10	Washer-Flat
18	55-8921-01	1	Ring-Chute Support
19	3296-42	8	Nut-Lock, NI
20	55-8700	1	Housing
21	46-8092	2	Screw-Plastite
24	3296-29	2	Nut-Lock, NI
25	3290-456	2	Washer-Belleville
26	3256-68	2	Washer-Flat
27	32112-11	2	Nut-Push
28	55-8750	1	Gear-Spur, Spacer
29	55-8730	1	Gear-Spur/Worm

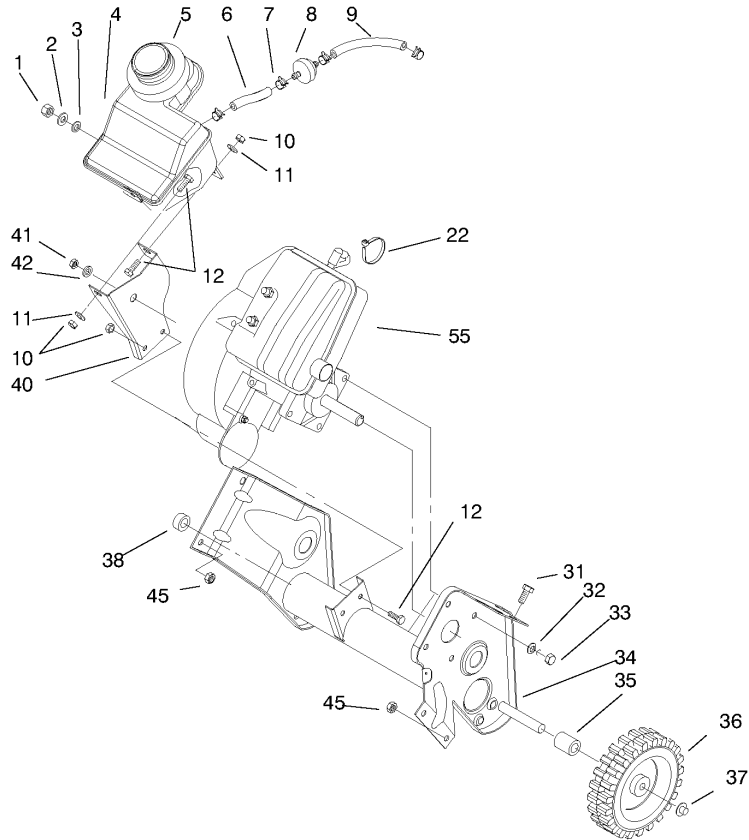
Ref	Part No.	Qty.	Description
30	55-8740	1	Gear-Face
31	55-9150	1	Shaft-Gear, Worm
32	84-5650	1	Bracket-Chute Gear
33	55-8910	2	Retainer-Chute Ring



## Rotor Assembly

Ref	Part No.	Qty.	Description
1	88-0771	2	Blade-Rotor
2	55-9370	4	Spacer-Blade, Rotor
3	55-9202-01	1	Rotor
4	3296-56	12	Nut-Lock, NI
5	66-6600-01	2	Rotor
6	84-1971	8	Screw
7	321-8	1	Screw-HH
8	321-4	4	Screw-HH

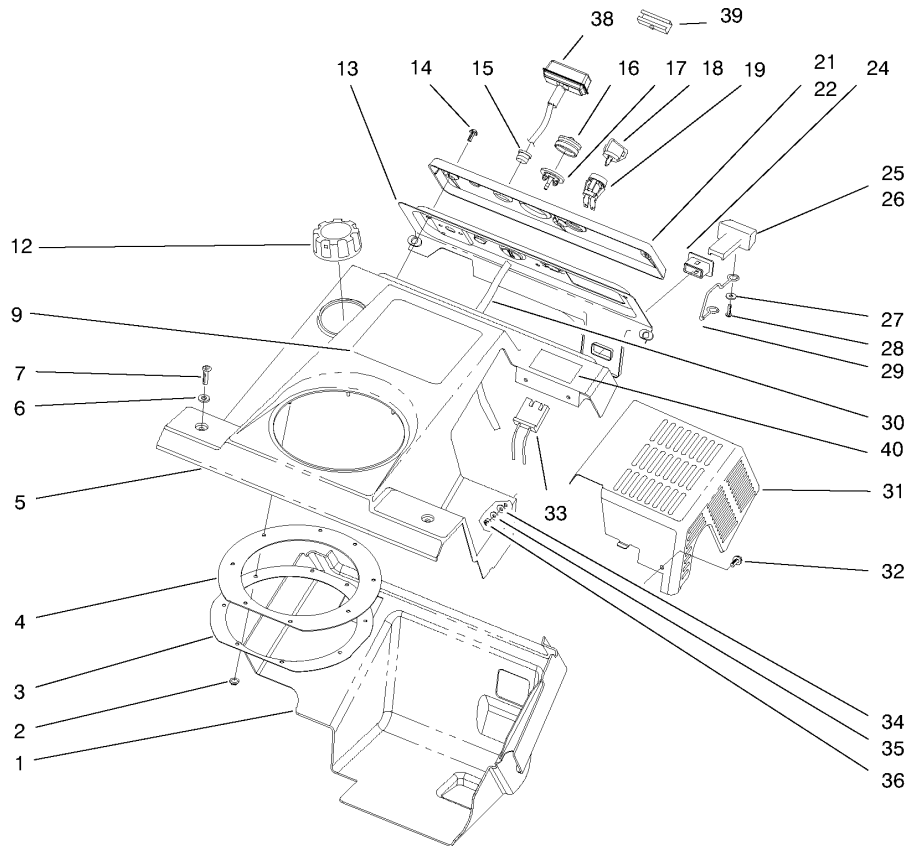
--	--	--	--



## Engine and Fuel Tank Assembly

Ref	Part No.	Qty.	Description
1	32152-8	1	Nut-Lock, Cone
2	3256-23	1	Washer-Flat
3	237-89	1	Grommet-Rubber
4	94-9920	1	Tank-Gas
5	55-9310	1	Seal-Foam
6	49-2482	1	Line-Fuel
7	2412-98	4	Clamp
8	56-6360	1	Filter-Fuel
9	94-9932	1	Hose-Fuel
10	3296-42	4	Nut-Lock, NI
11	3256-22	2	Washer-Flat
12	321-4	4	Screw-HH
22	250-4	1	Tie-Cable
31	322-3	2	Screw-HH
32	3290-456	5	Washer-Belleville
33	322-3	4	Screw-HH
34	95-1892	1	Frame
35	66-6501	1	Spacer-Wheel
36	66-6510	2	Wheel
37	32112-14	2	Nut-Push
38	66-6500	1	Spacer-Wheel
40	94-9918-01	1	Support-Recoil
41	3296-16	1	Nut-Lock, NI
42	71-5320	1	Washer-Support, Engine

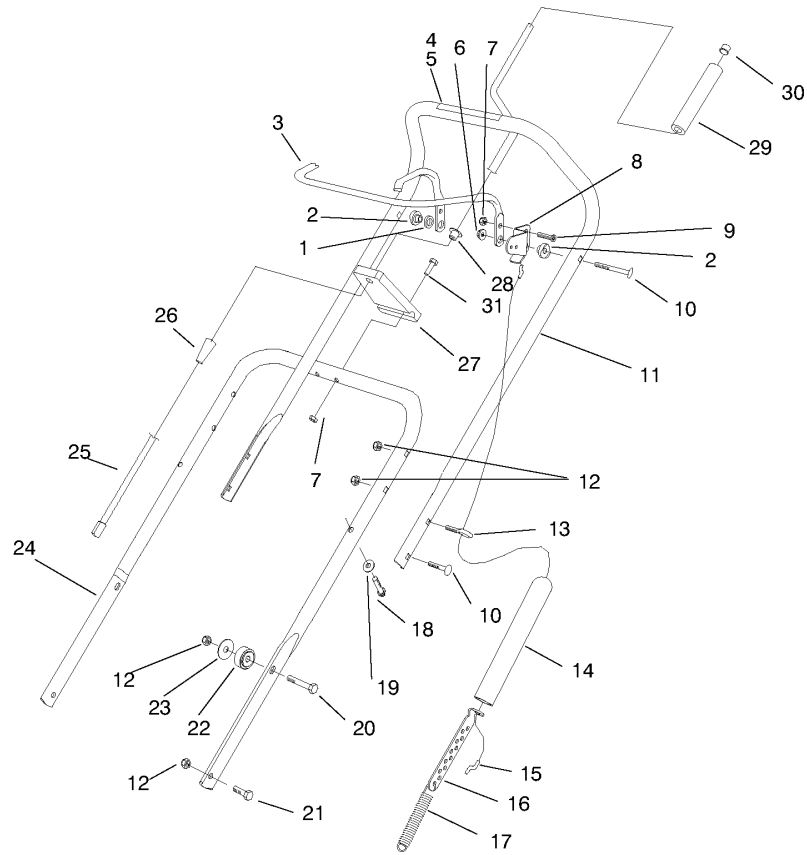
Ref	Part No.	Qty.	Description
45	3296-29	3	Nut-Lock, NI
① 55		1	Engine-Briggs And Stratton 084232-0121-E1



## Shroud Assembly

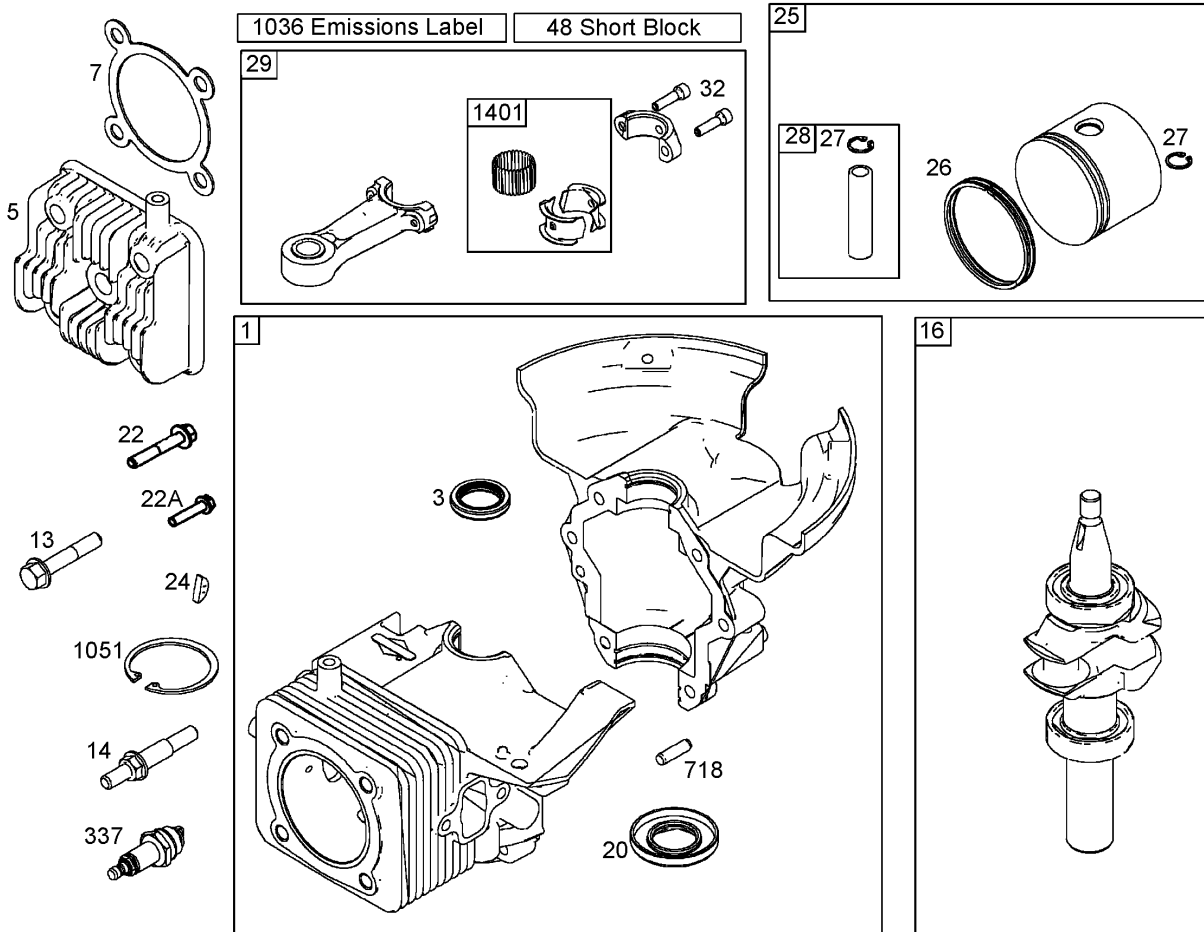
Ref	Part No.	Qty.	Description
1	94-9919	1	Shroud - Lower
2	3290-474	8	Palnut
3	55-9540-01	1	Chute Seal Retainer *red
4	55-9260	1	Seal-Chute
5	55-8781	1	Upper Shroud
6	3256-22	2	Washer-Flat
7	3250-32	2	Screw-PPH
9	98-1353	1	Decal - Ccr 2500 Gts
12	55-3573	1	Cap-Fuel ASM
13	55-9490-01	1	Wa-Panel
14	32144-112	3	Screw-HWH
15	55-9410	1	Guide-Rope, Starter
16	66-7460	1	Bulb-Primer
17	44-2750	1	Body-Primer
18	63-8360	1	Key-Ignition
19	40-5940	1	Switch
21	55-9350	1	Control Nameplate
22	94-2570	1	Nameplate-Control
24	55-8820	1	Fitting
25	55-8811	1	Choke Control
26	55-8810	1	Control-Choke
27	3256-49	1	Washer-Flat
28	32144-111	1	Screw-PPH
29	95-7439	1	Linkage-Choke

Ref	Part No.	Qty.	Description
30	98-1372	1	Hose-Primer
31	55-9210	1	Wa-Shield
32	32105-8	3	Screw-SHH
33	218-532	1	Connector-Body
34	55-9660	4	Washer
35	3256-14	4	Washer-Flat
36	3296-12	4	Nut-Lock
38	612825	1	Handle-Start
39	612824	1	Clip-Starter
40	98-1373	1	Decal



## Handle Assembly

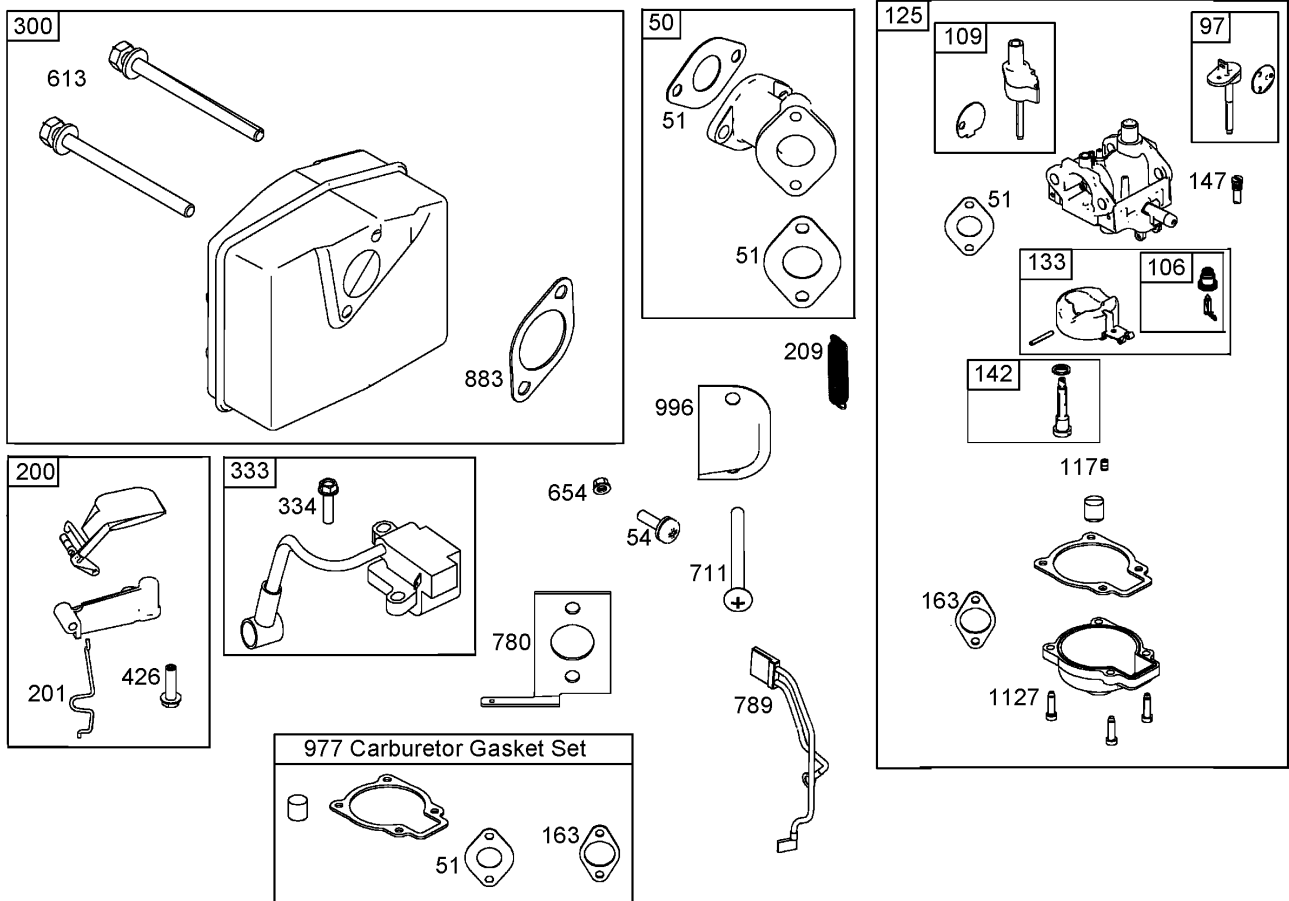
Ref	Part No.	Qty.	Description	Ref	Part No.	Qty.	Description
1	55-9670	1	Washer	23	3256-68	2	Washer-Flat
2	55-9340	2	Spacer-Bar, Control	24	55-9121-01	1	Handle-Lower
3	55-9130-01	1	Bar-Control	25	55-9140	1	Rod-Crank, Chute
4	66-6870	1	Decal - Rotor Drive	26	55-9440	1	Spring-Compression
5	94-2577	1	Decal-Rotor Drive	27	55-9090	1	Support-Crank
6	32111-8	2	Nut-Lock, Cap	28	256-249	1	Bushing
7	3296-42	3	Nut-Lock, NI	29	40-8230	1	Grip-Chute Control
8	55-9100-01	1	Arm-Clutch Cable	30	3290-320	1	Retainer-Push On
9	3274-31	1	Screw-HSBH	31	321-13	2	Screw-HH
10	17-9424	5	Screw				
11	55-9111-01	1	Handle-Upper				
11	94-2794	1	Upper Handle W/Decal				
11	95-2669	1	Handle-Upper W/Decal ASM				
12	3296-29	8	Nut-Lock, NI				
13	55-9420	1	Bolt-Eye				
14	55-9390	1	Cover-Spring				
15	55-9321	1	Cable-Clutch				
16	55-9380	1	Adjuster-Cable				
17	55-9270	1	Spring-Extension				
18	61-8640	2	Screw				
19	3-7501	2	Washer				
20	322-17	2	Screw-HH				
21	322-3	2	Screw-HH				
22	94-9923	2	Spacer - Lower Handle				



## Cylinder, Piston, and Connecting Rod Assemblies Briggs and Stratton 084232-0121-E1

Ref	Part No.	Qty.	Description
1	801260	1	Cylinder ASM
3	801262	1	Seal-Oil
5	801283	1	Head-Cylinder
7	801263	1	Gasket-Head, Cylinder
13	801264	1	Screw (Cylinder Head)
14	801265	1	Stud (Cylinder Head)
22	801266	1	Screw (Crankcase Cover And Sump)
22A	801271	1	Screw (Crankcase Cover And Sump)
24	801234	1	Key-Flywheel
25	801279	1	Piston ASM
26	801280	1	Ring Set
27	801275	1	Lock-Pin, Piston
28	801276	1	Pin-Piston
29	801277	1	Rod-Connecting
32	801278	1	Screw
48	801284	1	Short Block
337	801254	1	Plug-Spark
718	690959	1	Pin-Locating
1036	801294	1	Label-Emissions
1051	801274	1	Ring-Retaining

Ref	Part No.	Qty.	Description
1401	801290	1	Roller-Strip



## Muffler, Carburetor, and Intake Manifold Assemblies Briggs and Stratton 084232-0121-E1

Ref	Part No.	Qty.	Description
●50	801232	1	Manifold-Intake
●51	801224	1	Gasket-Intake
●54	801230	1	Screw (Intake Manifold)
●97	801306	1	Shaft-Throttle
●106	801317	1	Seat-Inlet
●109	801307	1	Shaft-Choke
●117	801310	1	Jet-Main
●125	801233	1	Carburetor
●133	801316	1	Float-Carburetor
●142	801313	1	Nozzle-Carburetor
●147	801308	1	Jet-Pilot
●163	801227	1	Gasket-Cleaner, Air
●200	801289	1	Blade-Governor
●201	801225	1	Link-Vane, Air
●209	801223	1	Spring-Governor
●300	801250	1	Muffler
●333	801268	1	Armature-Magneto
●334	801267	1	Screw
●426	801231	1	Screw
●613	801251	1	Screw
●654	801324	1	Nut (Intake Manifold) (Used Before Engine Code Date 05042600)
●711	801229	1	Screw

Ref	Part No.	Qty.	Description
●780	801228	1	Anchor-Spring
●789	801253	1	Wire ASM
●883	801252	1	Gasket-Exhaust
●977	801312	1	Gasket Set-Carburetor
●996	801226	1	Shield-Carburetor
●1127	801318	1	Screw



## NOTES

# NOTES

# NOTES

