



## CCR™ 2500 Snowthrower

Model No. 38422 - 9900001 and up.

### Parts Catalog

---

#### **Ordering Replacement Parts**

To order replacement parts, please supply the part number, the quantity, and the description of each part desired.

#### **Understanding Reference Numbers**

Each identified part in an illustration has a reference number. The reference number for a part also appears in the parts list, along with other information about the part.

This catalog uses two special reference number formats, one to indicate parts in a service assembly and another to indicate the quantity of a given part in an illustration.

#### **Service Assembly Reference Numbers**

Parts in service assemblies have reference numbers in the form a:b. The a represents the reference number of the entire service assembly and the b represents a sequential number unique to each part within the service assembly.

For example, a wheel assembly might be identified by reference number 6, the tire by 6:1, the valve by 6:2, and the wheel by 6:3. When you order the assembly identified by reference number 6, you receive all parts identified by reference numbers 6:1, 6:2, and 6:3. However, you may also order any part individually. Reference numbers of this type appear in illustrations and in part lists.

#### **Reference Numbers Indicating Quantity**

In an illustration, if a reference number indicates more than one part, the reference number has the form nX y. The n represents the quantity of the part, the X is the multiplication symbol, and the y represents the reference number.

For example, in an illustration, the reference number 2X 37 means that two of the parts identified by reference number 37 are indicated.

## Contents

Description	Page	Description	Page
Auger Housing Assembly	..... 3	Handle Assembly	..... 9
Side Plate and Idler Assembly	..... 4	Cylinder, Piston, and Connecting Rod	
Deflector and Discharge Assembly	..... 5	Assemblies Briggs and Stratton 084232-0121- E1	..... 10
Rotor Assembly	..... 6	Muffler, Carburetor, and Intake Manifold	
Engine and Gas Tank Assembly	..... 7	Assemblies Briggs and Stratton 084232-0121- E1	..... 11
Shroud Assembly	..... 8	Flywheel, Blower Housing and Starter	
		Assemblies Briggs and Stratton 084232-0121- E1	..... 12

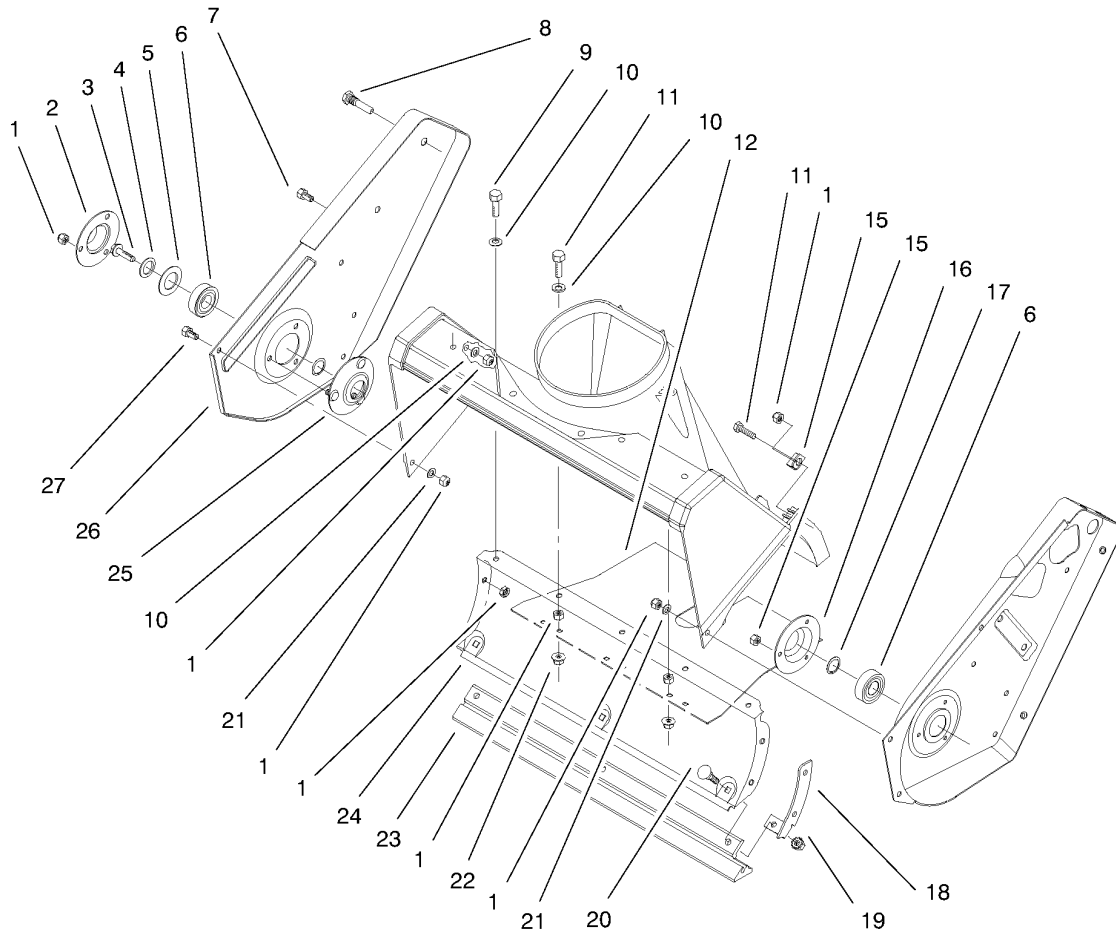
## Part Description Abbreviations

Part descriptions in this catalog may include the following abbreviations.

AR. .... as required	INC. .... incorporated
ASM. .... assembly	LH. .... left hand
BBC. .... blade brake clutch	NI. .... nylon insert
CARR. .... carriage	NPTF. .... national pipe thread fine
DEG. .... degrees	PFH. .... phillips flat head
EXT. .... external	PPH. .... phillips pan head
FH. .... flat head	PPHTF. .... phillips pan head thread forming
GA. .... gauge	PRH. .... phillips round head
HF. .... hex flange	PTH. .... phillips truss head
HH. .... hex head	PTO. .... power-take-off
HHF. .... hex head flange	RH. .... right hand
HHFTF. .... hex head flange thread forming	ROPS. .... roll-over-protection-system
HJ. .... hex jam	SFH. .... slotted fillister head
HLH. .... hex lag head	SHH. .... slotted hex head
HOC. .... height-of-cut	SHWH. .... slotted hex washer head
HSBH. .... hex socket button head	SPH. .... slotted pan head
HSFH. .... hex socket flat head	SQH. .... square head
HSH. .... hex socket head	SRH. .... slotted round head
HWH. .... hex washer head	STD. .... standard
HWHTF. .... hex washer head thread forming	TAP. .... self tapping
HYD. .... hydraulic	TTH. .... torx truss head

## Footnotes

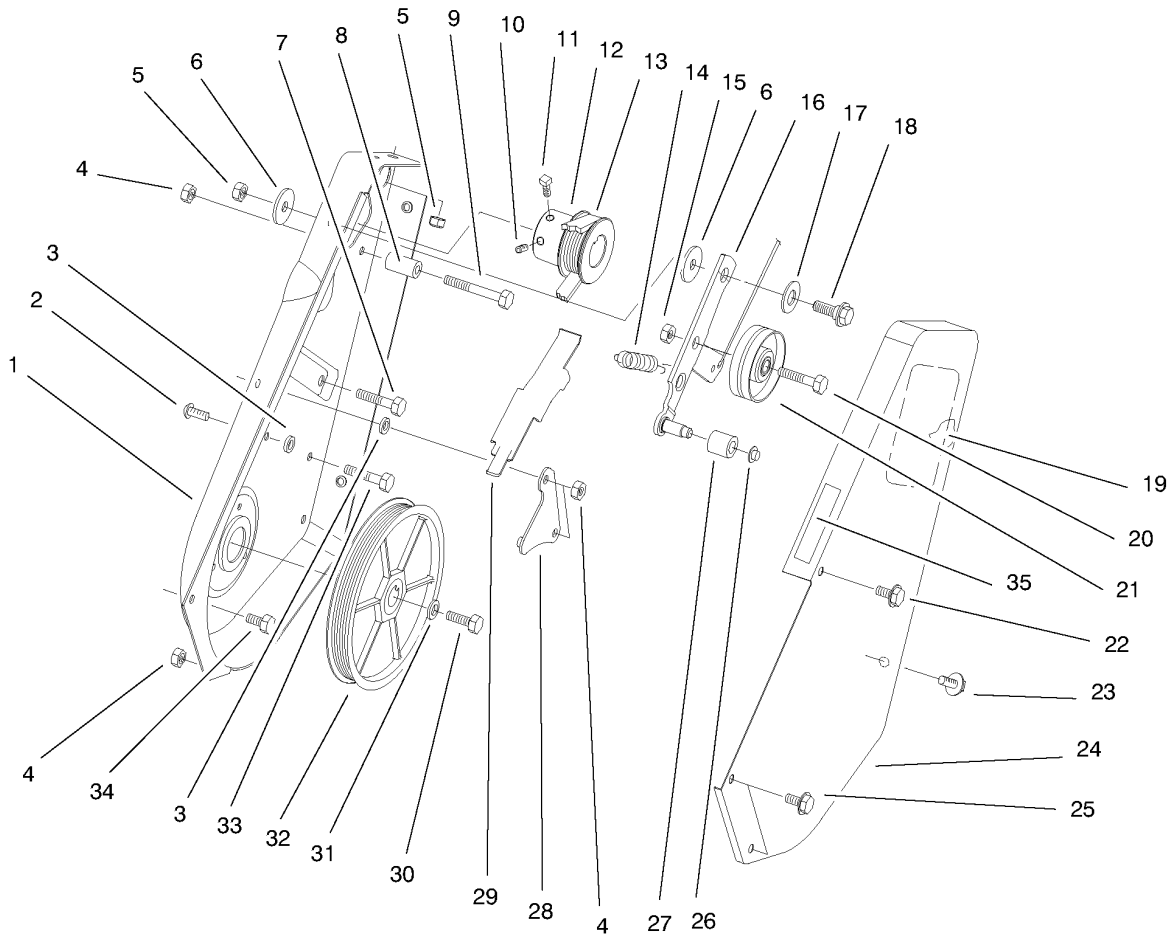
- ❶ Obtain from your local Briggs & Stratton dealer



### Auger Housing Assembly

Ref	Part No.	Qty.	Description
1	3296-42	16	Nut-Lock, NI
2	52-7290-03	1	Retainer-Bearing
3	3234-25	1	Screw-HHF
4	3256-24	1	Washer-Flat
5	52-7270	1	Washer-Rubber
6	38-7820	2	Bearing-Ball
7	322-43	1	Screw-HH
8	38-8211	1	Pin-Rotor
9	321-4	3	Screw-HH
10	3256-22	7	Washer-Flat
11	321-6	3	Screw-HH
12	55-9512	1	Cover-Bottom
14	55-9430	1	Bracket-Housing
15	3296-2	3	Nut-Lock
16	38-8620	1	Flange-Bearing
17	52-7280	2	Washer-Thrust
18	56-2610	1	Bracket-Housing, Lower
19	32149-2	3	Nut-Keps
20	3229-11	3	Screw-CARR
21	3256-67	2	Washer-Flat
22	32128-10	2	Nut-Lock, HHF
23	55-8760	1	Scraper
24	55-9220-03	1	Housing-Lower
25	52-9110	1	Flange-Bearing

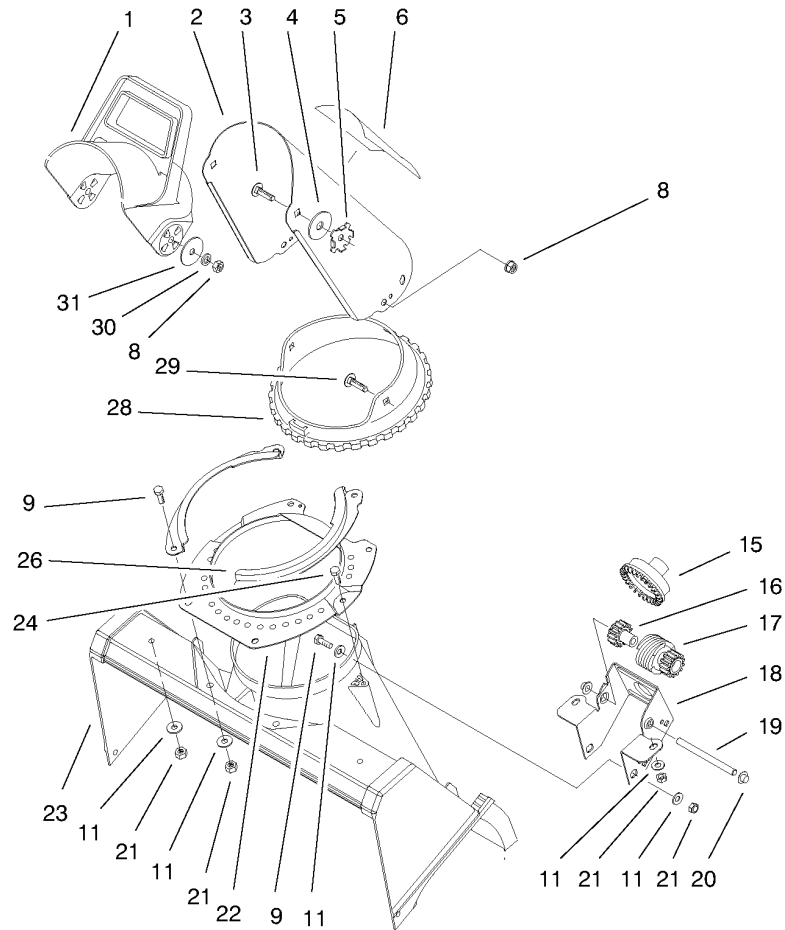
Ref	Part No.	Qty.	Description
26	55-8840-03	1	Plate-Side, RH
27	32105-15	5	Screw



### Side Plate and Idler Assembly

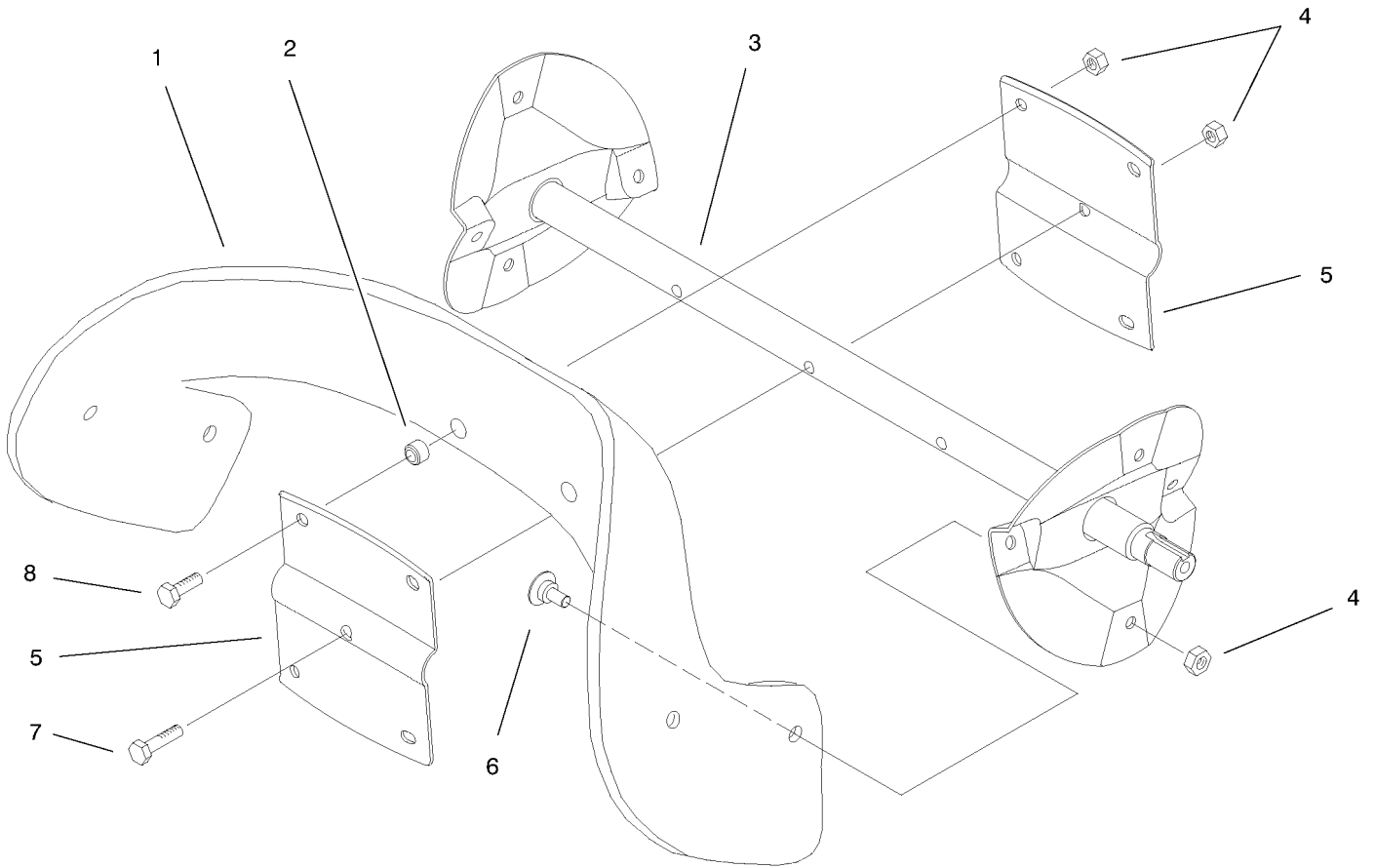
Ref	Part No.	Qty.	Description
1	55-8851-03	1	Plate-Side, LH
2	3274-31	1	Screw-HSBH
3	55-9620	2	Spacer-Plate, Pivot
4	3296-42	5	Nut-Lock, NI
5	3296-29	3	Nut-Lock, NI
6	5-4460	2	Washer-Pivot
7	322-3	2	Screw-HH
8	55-9530	1	Sleeve-Guide, Belt
9	321-13	1	Screw-HH
10	3245-41	1	Screw-HSH
11	3241-7	1	Screw-SQH
12	95-2673	1	Pulley-Engine
13	95-6151	1	Belt-Drive
14	55-9280	1	Spring-Extension
15	32152-2	1	Nut-Lock, Cone
16	63-3610	1	Idler Arm ASM
17	25-5640	1	Washer
18	27-0410	1	Screw-Shoulder
19	60-9480	1	Decal
20	323-29	1	Screw-HH
21	55-9290	1	Pulley-Idler
22	36-3860	1	Screw-HWH, TAP
23	12-3270	2	Screw
24	16-9449	1	Cover-Drive

Ref	Part No.	Qty.	Description
25	32105-15	2	Screw
26	32112-11	1	Nut-Push
27	55-9520	1	Roller-Brake
28	55-9570	1	Pivot Plate ASM
29	55-9550	1	Brake-Arm
30	321-30	1	Screw-HH
31	3290-456	1	Washer-Belleville
32	95-2672	1	Pulley Rotor ASM
33	321-4	2	Screw-HH
34	32105-8	3	Screw-SHH
35	95-1904	1	Decal-Hot



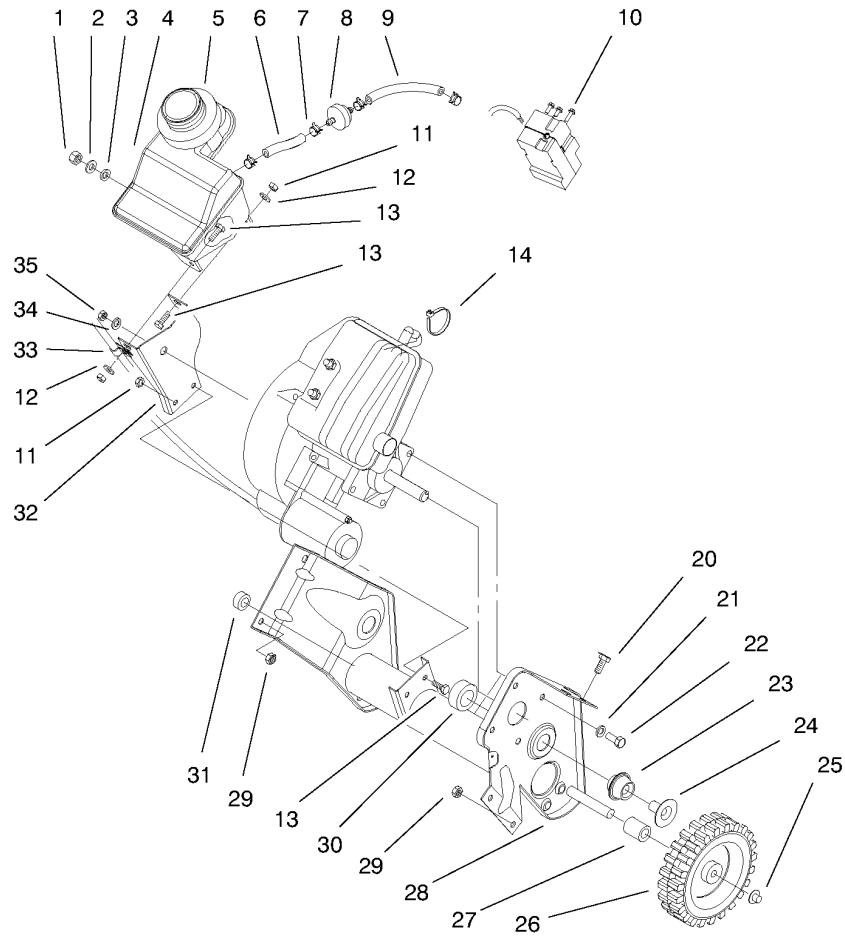
## Deflector and Discharge Assembly

Ref	Part No.	Qty.	Description
1	56-2680	1	Chute-Deflector
2	94-2790	1	Chute ASM W/Decal
3	3230-22	2	Screw-CARR
4	20-4320	2	Washer-Rubber
5	55-8950	2	Plate-Friction
6	94-2900	1	Decal - Danger Discharge
8	3296-29	5	Nut-Lock, NI
9	321-4	6	Screw-HH
11	3256-22	10	Washer-Flat
15	55-8740	1	Gear-Face
16	55-8750	1	Gear-Spur, Spacer
17	55-8730	1	Gear-Spur/Worm
18	84-5650	1	Bracket-Chute Gear
19	55-9150	1	Shaft-Gear, Worm
20	32112-11	2	Nut-Push
21	3296-42	8	Nut-Lock, NI
22	55-8921-03	1	Ring-Support, Chute
23	55-8700	1	Housing
24	46-8092	2	Screw-Plastite
26	55-8910-03	2	Ring-Retainer, Chute
28	55-8720	1	Ring-Gear, Chute
29	3230-18	3	Screw-CARR
30	3290-456	2	Washer-Belleville
31	3256-68	2	Washer-Flat

## Rotor Assembly

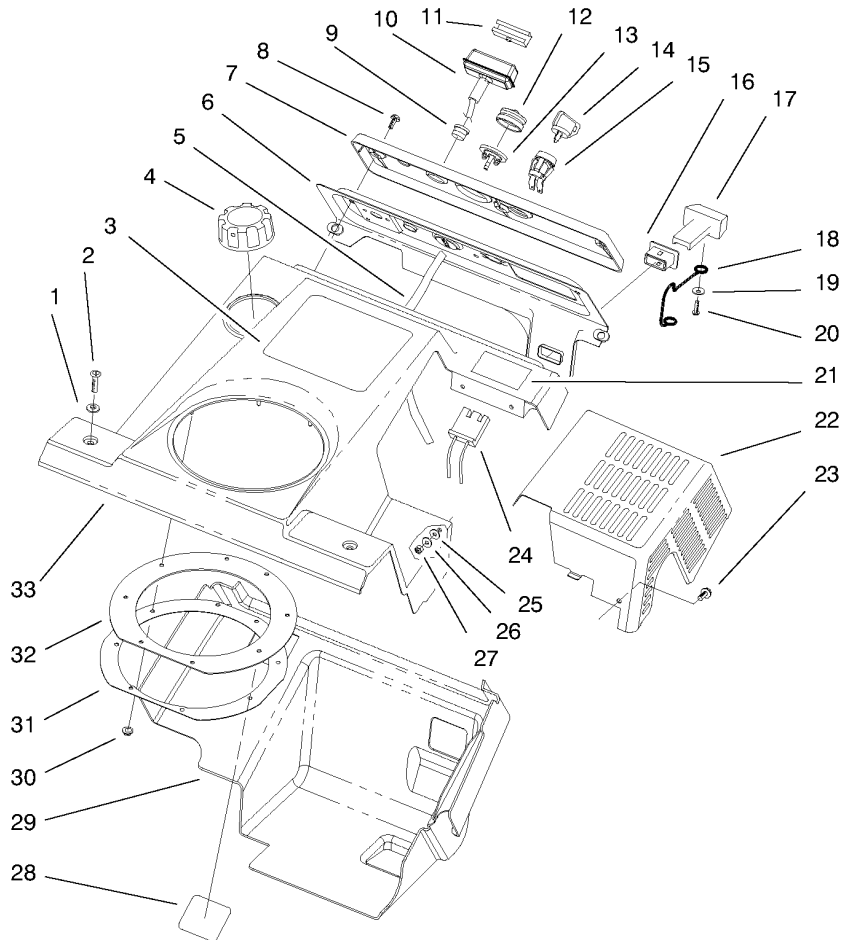
Ref	Part No.	Qty.	Description
1	88-0771	2	Blade-Rotor
2	55-9370	4	Spacer-Blade, Rotor
3	55-9202-03	1	Rotor
4	3296-56	12	Nut-Lock, NI
5	66-6600-03	2	Half-Rotor
6	84-1971	8	Screw
7	321-8	1	Screw-HH
8	321-4	4	Screw-HH

## Engine and Gas Tank Assembly

Ref	Part No.	Qty.	Description
1	32152-8	1	Nut-Lock, Cone
2	3256-23	1	Washer-Flat
3	237-89	1	Grommet-Rubber
4	94-9920	1	Tank-Gas
5	55-9310	1	Seal-Foam
6	49-2482	1	Line-Fuel
7	2412-98	4	Clamp
8	56-6360	1	Filter-Fuel
9	94-9932	1	Hose-Fuel
10	32144-27	3	Screw
11	3296-42	4	Nut-Lock, NI
12	3256-22	2	Washer-Flat
13	321-4	4	Screw-HH
14	250-4	1	Tie-Cable
20	322-3	2	Screw-HH
21	3290-456	5	Washer-Belleville
22	322-3	4	Screw-HH
23	55-9460	2	Mount-Rebound
24	55-9470	2	Spacer Tube
25	32112-14	2	Nut-Push
26	66-6510	2	Wheel
27	66-6501	1	Spacer-Wheel
28	95-1892-03	1	Frame
29	3296-29	3	Nut-Lock, NI

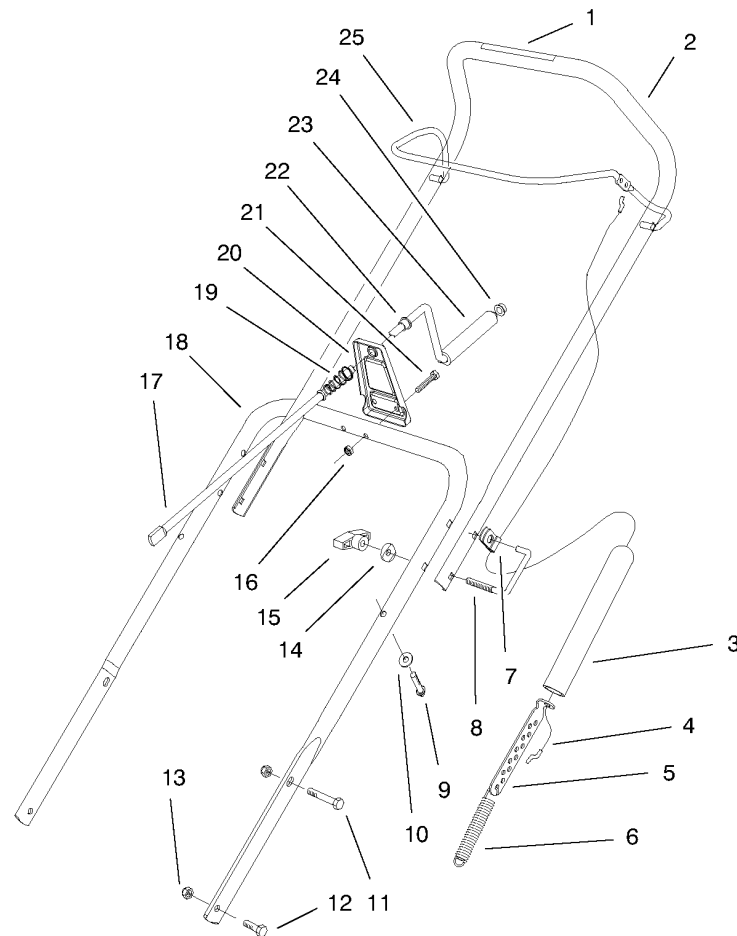
Ref	Part No.	Qty.	Description
30	55-9450	2	Load Mount
31	66-6500	1	Spacer-Wheel
32	94-9918-03	1	Support-Recoil
33	2412-91	1	Clamp
34	71-5320	1	Washer-Support, Engine
35	3296-16	1	Nut-Lock, NI



## Shroud Assembly

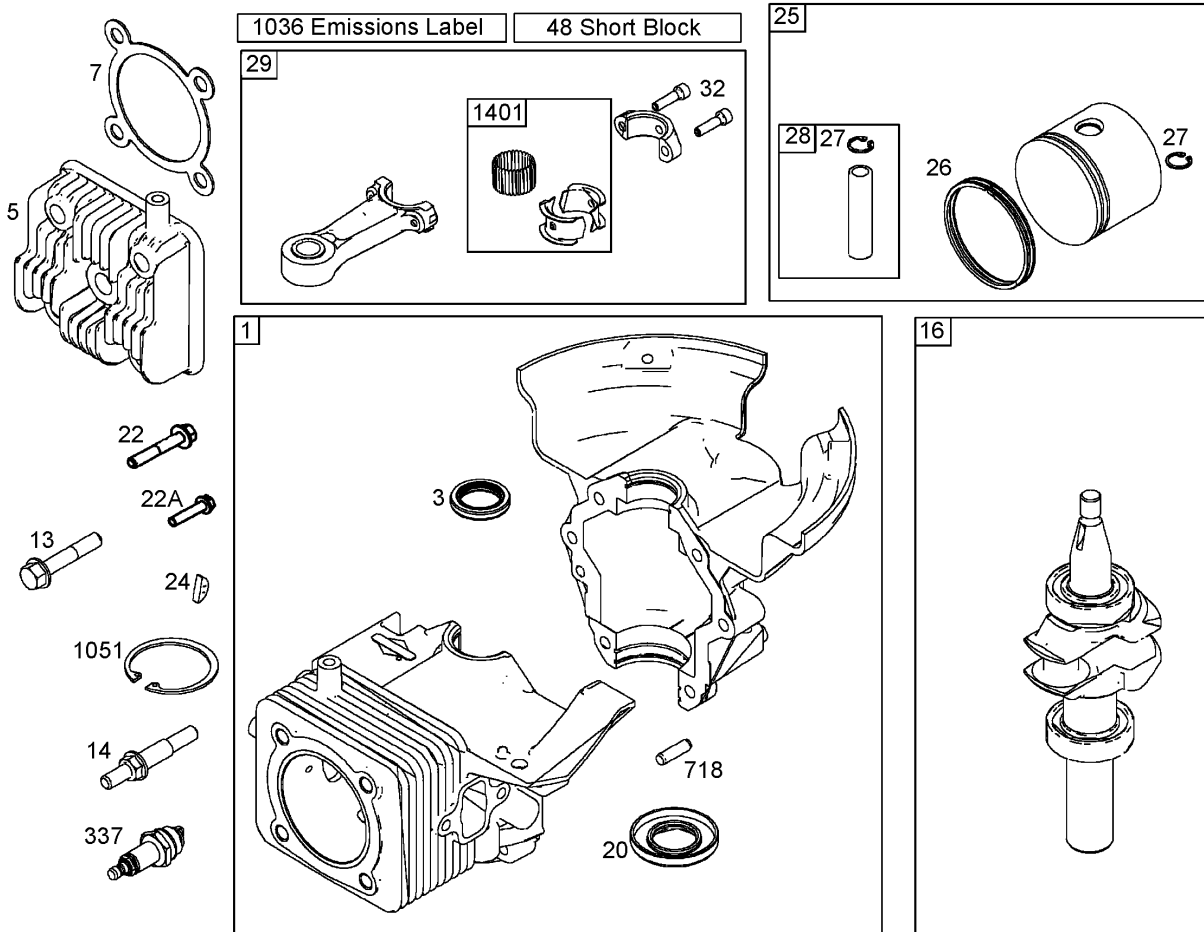
Ref	Part No.	Qty.	Description
1	3256-22	2	Washer-Flat
2	3250-32	2	Screw-PPH
3	98-1354	1	Decal - Ccr 2500 Gts E
3	98-1353	1	Decal - Ccr 2500 Gts
4	55-3573	1	Cap-Fuel ASM
5	98-1372	1	Hose-Primer
6	55-9490-03	1	Panel-Control
7	55-9350	1	Control Nameplate
7	61-4410	1	Plate-Name
8	32144-112	3	Screw-HWH
9	55-9410	1	Guide-Rope, Starter
10	612825	1	Handle-Start
11	612824	1	Clip-Starter
12	66-7460	1	Bulb-Primer
13	44-2750	1	Body-Primer
14	63-8360	1	Key-Ignition
15	40-5940	1	Switch
16	55-8820	1	Fitting
17	55-8810	1	Control-Choke
18	95-7439	1	Linkage-Choke
19	3256-49	1	Washer-Flat
20	32144-111	1	Screw-PPH
21	98-1373	1	Decal
22	55-9210-03	1	Shield-Heat

Ref	Part No.	Qty.	Description
23	32105-8	4	Screw-SHH
24	218-532	1	Connector-Body
25	55-9660	4	Washer
26	3256-14	4	Washer-Flat
27	3296-12	4	Nut-Lock
28	61-4790	1	Decal
29	94-9919	1	Shroud - Lower
30	3290-474	8	Palnut
31	55-9540-03	1	Retainer-Seal, Chute
32	55-9260	1	Seal-Chute
33	55-8781	1	Upper Shroud



## Handle Assembly

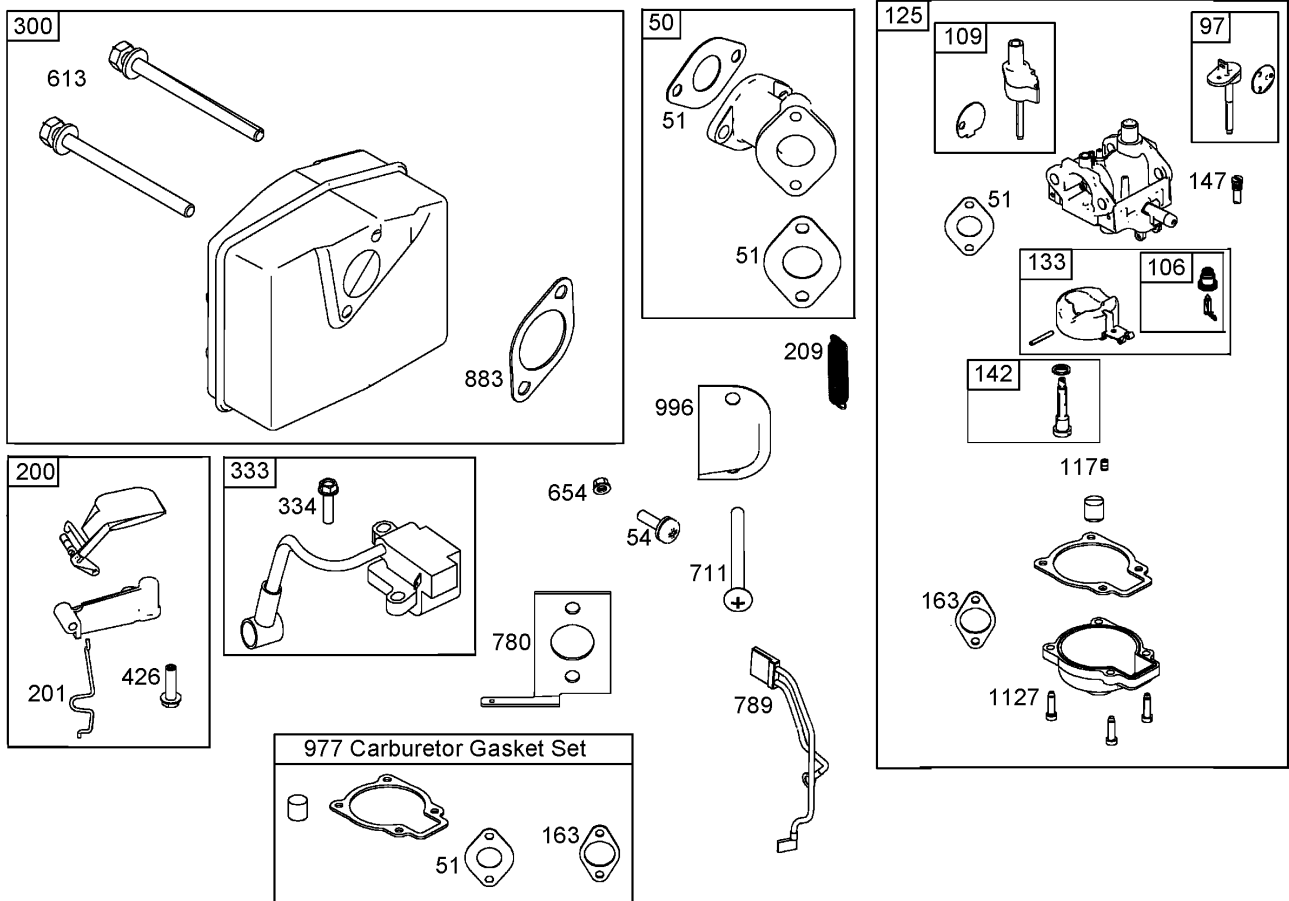
Ref	Part No.	Qty.	Description	Ref	Part No.	Qty.	Description
1	66-6870	1	Decal - Rotor Drive	25	98-2264	1	Bar-Control
2	95-2669	1	Handle-Upper W/Decal ASM				
3	55-9390	1	Cover-Spring				
4	55-9322	1	Cable-Clutch				
5	55-9380	1	Adjuster-Cable				
6	55-9270	1	Spring-Extension				
7	2412-112	1	Clamp				
8	98-2266	2	Lock-Handle				
9	61-8640	2	Screw				
10	3-7501	2	Washer				
11	322-9	2	Screw-HH				
12	322-3	2	Screw-HH				
13	3296-29	4	Nut-Lock, NI				
14	75-9130	2	Washer-Curved				
15	98-7134	2	Knob-Handle				
16	3296-42	2	Nut-Lock, NI				
17	55-9140	1	Rod-Crank, Chute				
18	55-9121-03	1	Handle-Lower				
19	55-9440	1	Spring-Compression				
20	55-9090	1	Support-Crank				
21	321-13	2	Screw-HH				
22	256-249	1	Bushing				
23	40-8230	1	Grip-Chute Control				
24	3290-320	1	Retainer-Push On				



## Cylinder, Piston, and Connecting Rod Assemblies Briggs and Stratton 084232-0121-E1

Ref	Part No.	Qty.	Description
●1	801260	1	Cylinder ASM
●3	801262	1	Seal-Oil
●5	801283	1	Head-Cylinder
●7	801263	1	Gasket-Head, Cylinder
●13	801264	1	Screw (Cylinder Head)
●14	801265	1	Stud (Cylinder Head)
●16	801220	1	Crankshaft
●20	801261	1	Seal-Oil
●22	801266	1	Screw (Crankcase Cover And Sump)
●22A	801271	1	Screw (Crankcase Cover And Sump)
●24	801234	1	Key-Flywheel
●25	801279	1	Piston ASM
●26	801280	1	Ring Set
●27	801275	1	Lock-Pin, Piston
●28	801276	1	Pin-Piston
●29	801277	1	Rod-Connecting
●32	801278	1	Screw
●48	801284	1	Short Block
●337	801254	1	Plug-Spark
●718	690959	1	Pin-Locating
●1036	801294	1	Label-Emissions
●1051	801274	1	Ring-Retaining

Ref	Part No.	Qty.	Description
●1401	801290	1	Roller-Strip



## Muffler, Carburetor, and Intake Manifold Assemblies Briggs and Stratton 084232-0121-E1

Ref	Part No.	Qty.	Description
●50	801232	1	Manifold-Intake
●51	801224	1	Gasket-Intake
●54	801230	1	Screw (Intake Manifold)
●97	801306	1	Shaft-Throttle
●106	801317	1	Seat-Inlet
●109	801307	1	Shaft-Choke
●117	801310	1	Jet-Main
●125	801233	1	Carburetor
●133	801316	1	Float-Carburetor
●142	801313	1	Nozzle-Carburetor
●147	801308	1	Jet-Pilot
●163	801227	1	Gasket-Cleaner, Air
●200	801289	1	Blade-Governor
●201	801225	1	Link-Vane, Air
●209	801223	1	Spring-Governor
●300	801250	1	Muffler
●333	801268	1	Armature-Magneto
●334	801267	1	Screw
●426	801231	1	Screw
●613	801251	1	Screw
●654	801324	1	Nut (Intake Manifold) (Used Before Engine Code Date 05042600)
●711	801229	1	Screw

Ref	Part No.	Qty.	Description
●780	801228	1	Anchor-Spring
●789	801253	1	Wire ASM
●883	801252	1	Gasket-Exhaust
●977	801312	1	Gasket Set-Carburetor
●996	801226	1	Shield-Carburetor
●1127	801318	1	Screw



## NOTES

# NOTES

# NOTES

