



CCR™ 3650 Snowthrower

Model No. 38440 - 210000001 and up.

Model No. 38441 - 210000001 and up.

Model No. 38442 - 210000001 and up.

Model No. 38445 - 210000001 and up.

Parts Catalog

Ordering Replacement Parts

To order replacement parts, please supply the part number, the quantity, and the description of each part desired.

Understanding Reference Numbers

Each identified part in an illustration has a reference number. The reference number for a part also appears in the parts list, along with other information about the part.

This catalog uses two special reference number formats, one to indicate parts in a service assembly and another to indicate the quantity of a given part in an illustration.

Service Assembly Reference Numbers

Parts in service assemblies have reference numbers in the form a:b. The a represents the reference number of the entire service assembly and the b represents a sequential number unique to each part within the service assembly.

For example, a wheel assembly might be identified by reference number 6, the tire by 6:1, the valve by 6:2, and the wheel by 6:3. When you order the assembly identified by reference number 6, you receive all parts identified by reference numbers 6:1, 6:2, and 6:3. However, you may also order any part individually. Reference numbers of this type appear in illustrations and in part lists.

Reference Numbers Indicating Quantity

In an illustration, if a reference number indicates more than one part, the reference number has the form nX y. The n represents the quantity of the part, the X is the multiplication symbol, and the y represents the reference number.

For example, in an illustration, the reference number 2X 37 means that two of the parts identified by reference number 37 are indicated.

Contents

Description	Page	Description	Page
Housing and Side Plate Assembly 3	Flywheel, Blower Housing and Starter	
Impeller Drive Assembly 4	Assemblies Briggs and Stratton 084232-0121- E1 13
Chute Assembly 5	Cylinder, Piston, and Connecting Rod	
Impeller Assembly 6	Assemblies Briggs and Stratton 084233-0198- E1 14
Engine and Frame Assembly 7	Muffler, Carburetor, and Intake Manifold	
Upper Shroud and Control Panel Assembly 8	Assemblies Briggs and Stratton 084233-0198- E1 15
Handle Assembly 10	Flywheel, Blower Housing, and Starter	
Cylinder, Piston, and Connecting Rod		Assemblies Briggs and Stratton 084233-0198- E1 16
Assemblies Briggs and Stratton 084232-0121- E1 11	Cylinder, Piston, and Connecting Rod	
Muffler, Carburetor, and Intake Manifold		Assemblies Briggs and Stratton 17
Assemblies Briggs and Stratton 084232-0121- E1 12	Muffler, Carburetor, and Intake Manifold	
		Assemblies Briggs and Stratton 18
		Flywheel, Blower Housing, and Starter	
		Assemblies Briggs and Stratton 19

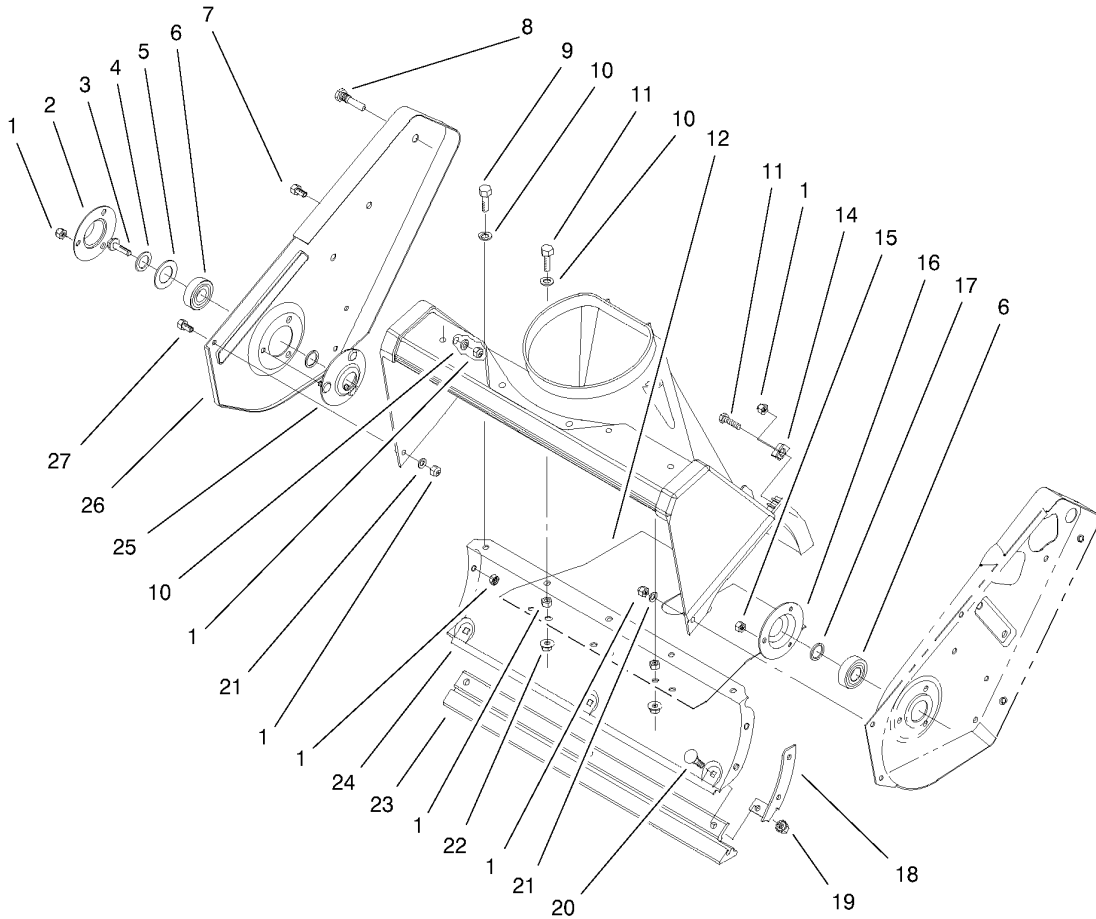
Part Description Abbreviations

Part descriptions in this catalog may include the following abbreviations.

AR. as required	INC. incorporated
ASM. assembly	LH. left hand
BBC. blade brake clutch	NI. nylon insert
CARR. carriage	NPTF. national pipe thread fine
DEG. degrees	PFH. phillips flat head
EXT. external	PPH. phillips pan head
FH. flat head	PPHTF. phillips pan head thread forming
GA. gauge	PRH. phillips round head
HF. hex flange	PTH. phillips truss head
HH. hex head	PTO. power-take-off
HHF. hex head flange	RH. right hand
HHFTF. hex head flange thread forming	ROPS. roll-over-protection-system
HJ. hex jam	SFH. slotted fillister head
HLH. hex lag head	SHH. slotted hex head
HOC. height-of-cut	SHWH. slotted hex washer head
HSBH. hex socket button head	SPH. slotted pan head
HSFH. hex socket flat head	SQH. square head
HSH. hex socket head	SRH. slotted round head
HWH. hex washer head	STD. standard
HWHTF. hex washer head thread forming	TAP. self tapping
HYD. hydraulic	TTH. torx truss head

Footnotes

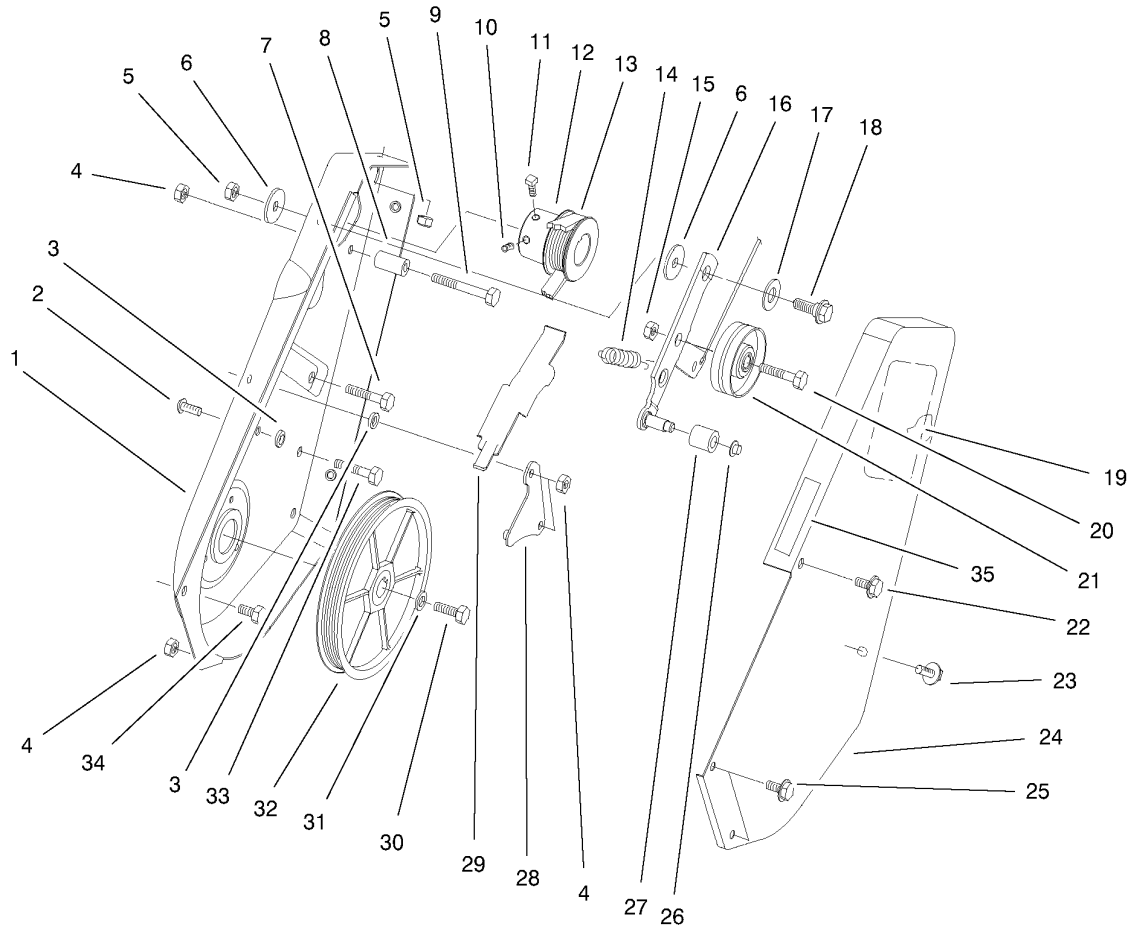
- ❶ Not illustrated
- ❷ Obtain from your local Briggs & Stratton dealer
- ❸ Not serviced separately



Housing and Side Plate Assembly

Ref	Part No.	Qty.	Description
1	3296-42	16	Nut-Lock (Only On: 38441, 38445, 38442)
2	52-7290-03	1	Retainer-Bearing
3	3234-25	1	Screw-HHF
4	3256-24	1	Washer-Flat
5	52-7270	1	Washer-Rubber
6	38-7820	2	Bearing-Ball
7	322-43	1	Screw-HH
8	38-8211	1	Pin-Rotor
9	321-4	3	Screw-HH
10	3256-22	7	Washer-Flat
11	321-6	3	Screw-HH
12	55-9512	1	Cover-Bottom
14	55-9430	1	Bracket-Housing
15	3296-2	3	Nut-Lock
16	38-8620	1	Flange-Bearing
17	52-7280	2	Washer-Thrust
18	56-2610	1	Bracket-Housing, Lower
19	32149-2	3	Nut-Keps
20	3229-11	3	Screw-CARR
21	3256-67	2	Washer-Flat
22	32128-10	2	Nut-Lock, HHF
23	55-8760	1	Scraper
24	55-9220-03	1	Housing-Lower

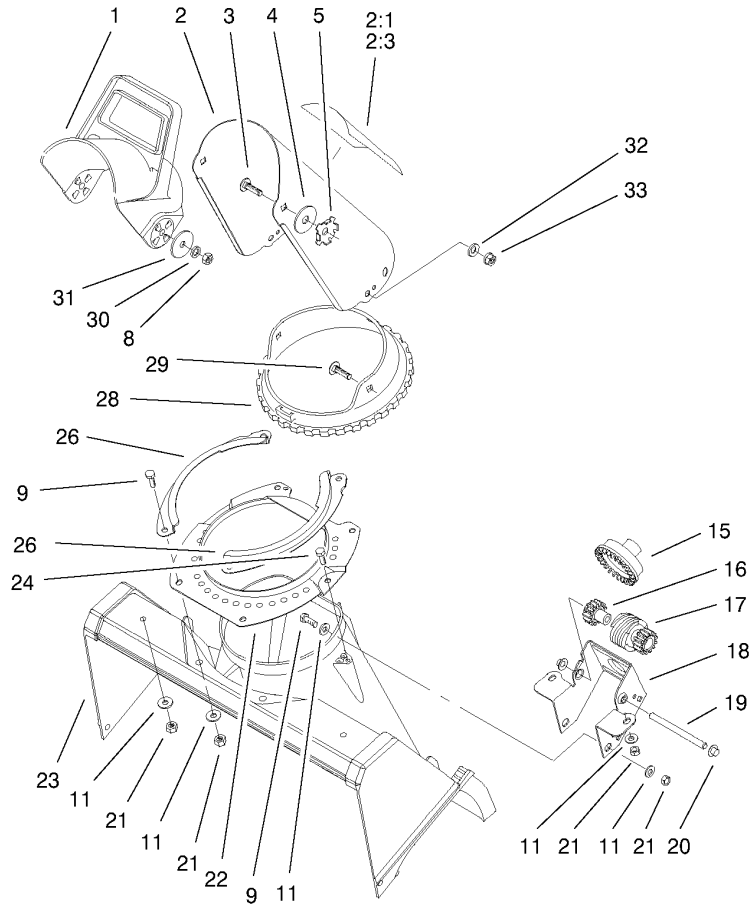
Ref	Part No.	Qty.	Description
25	52-9110	1	Flange-Bearing
26	55-8840-03	1	Plate-Side, RH
27	32105-15	5	Screw



Impeller Drive Assembly

Ref	Part No.	Qty.	Description
1	55-8851-03	1	Plate-Side, LH
2	3274-31	1	Screw-HSBH
3	55-9620	2	Spacer-Plate, Pivot
4	3296-42	5	Nut-Lock, NI
5	3296-29	3	Nut-Lock, NI
6	5-4460	2	Washer-Pivot
7	322-3	2	Screw-HH
8	55-9530	1	Sleeve-Guide, Belt
9	321-13	1	Screw-HH
10	3245-41	1	Screw-HSH
11	3241-7	1	Screw-SQH
12	95-2673	1	Pulley-Engine
13	95-6151	1	Belt-Drive
14	55-9280	1	Spring-Extension
15	32152-2	1	Nut-Lock, Cone
16	63-3610	1	Idler Arm ASM
17	25-5640	1	Washer
18	27-0410	1	Screw-Shoulder
19	60-9480	1	Decal
20	323-29	1	Screw-HH
21	55-9290	1	Pulley-Idler
22	36-3860	1	Screw-HWH, TAP
23	12-3270	2	Screw
25	32105-15	2	Screw

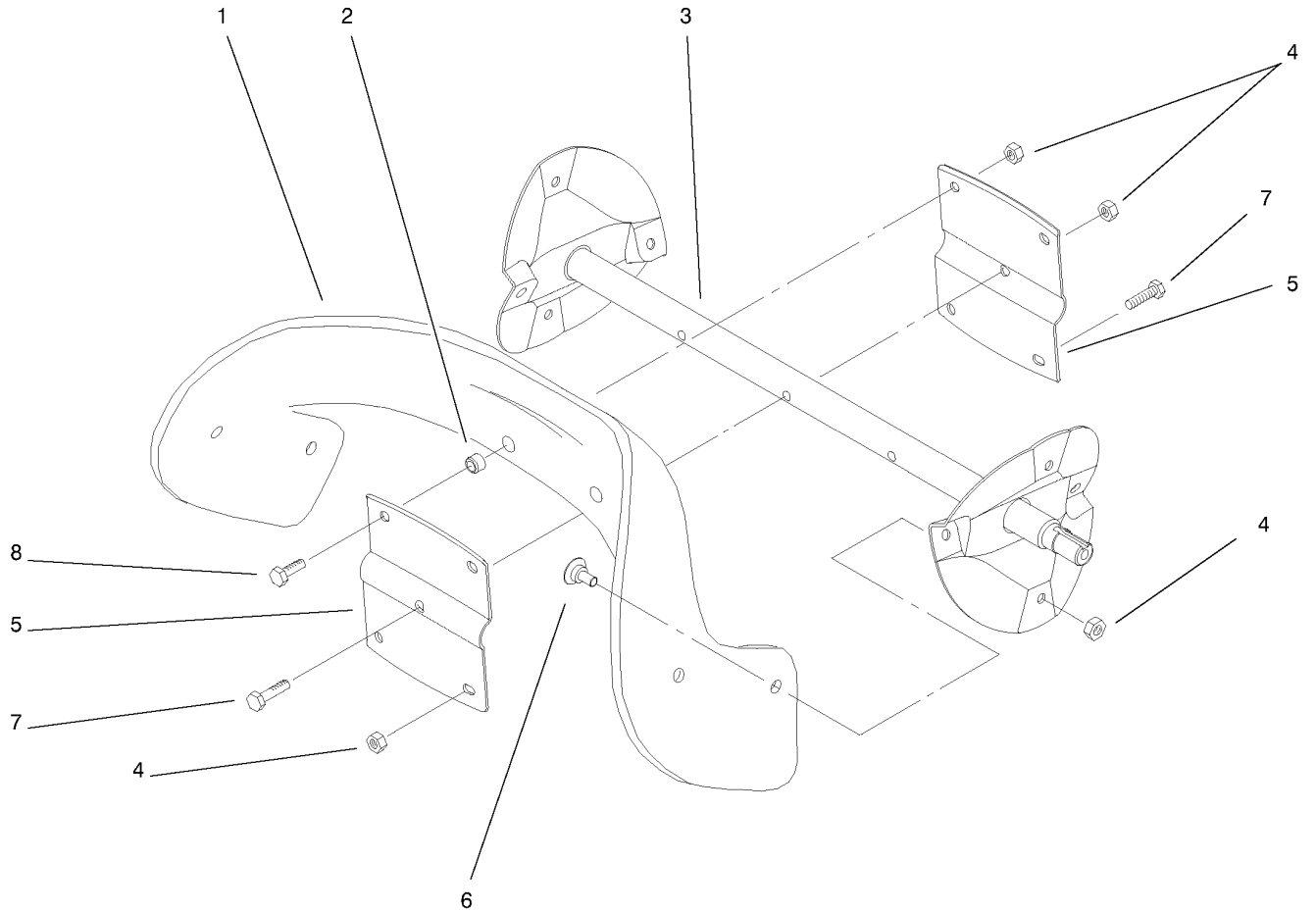
Ref	Part No.	Qty.	Description
26	32112-11	1	Nut-Push
27	55-9520	1	Roller-Brake
28	55-9570	1	Pivot Plate ASM
29	55-9550	1	Brake-Arm
30	321-30	1	Screw-HH
31	3290-456	1	Washer-Belleville
32	95-2672	1	Pulley Rotor ASM
33	321-4	2	Screw-HH
34	32105-8	3	Screw-SHH
35	94-2561	1	Decal-Hot (Only On: 38441, 38442)
35	104-2767	1	Decal-Hot Surface (Only On: 38440, 38445)



Chute Assembly

Ref	Part No.	Qty.	Description
1	56-2680	1	Chute-Deflector
2	104-4115	1	Chute-Discharge W/Decal (Only On: 38440, 38445)
2	94-2790	1	Chute ASM W/Decal (Only On: 38440, 38445)
2	94-2791	1	Chute ASM W/Decal (Only On: 38441, 38442)
2:1	104-4135	1	Decal-Danger (Only On: 38440, 38445)
2:3	94-2900	1	Decal-Danger Discharge (Only On: 38440, 38445)
2:3	94-2901	1	Decal-Danger Discharge (Only On: 38441, 38442)
3	3230-22	2	Screw-CARR
4	20-4320	2	Washer-Rubber
5	55-8950	2	Plate-Friction
8	3296-29	2	Nut-Lock (Only On: 38441, 38445, 38442)
9	321-4	6	Screw-HH
11	3256-22	10	Washer-Flat
15	55-8740	1	Gear-Face
16	55-8750	1	Gear-Spur, Spacer
17	55-8730	1	Gear-Spur/Worm
18	84-5650-03	1	Bracket-Gear, Chute
19	55-9150	1	Shaft-Gear, Worm
20	32112-11	2	Nut-Push

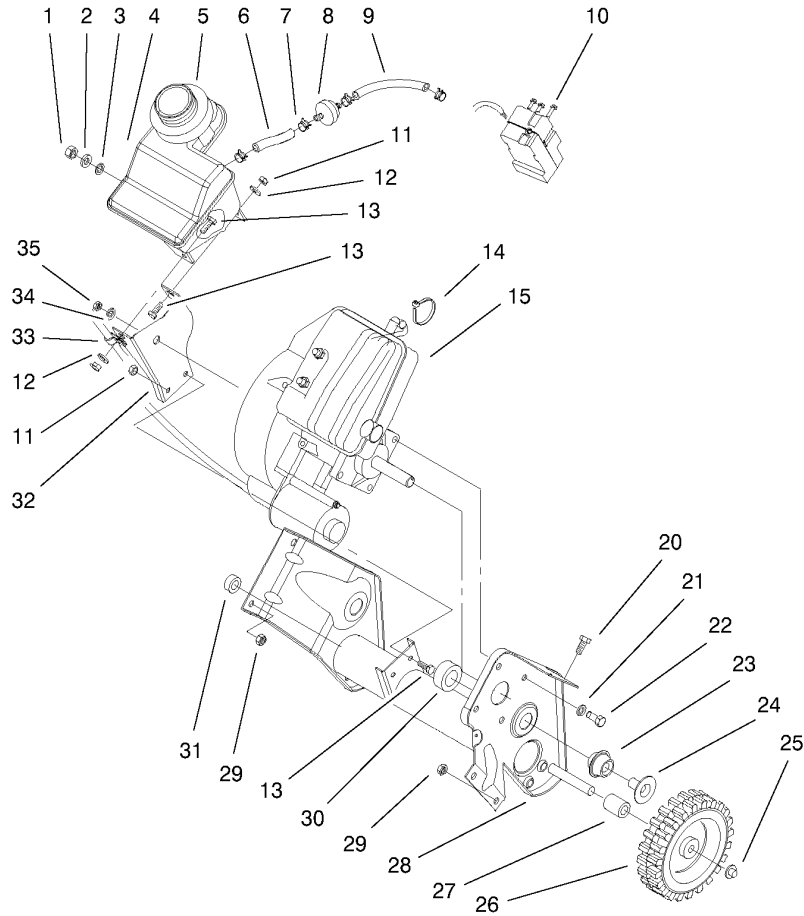
Ref	Part No.	Qty.	Description
21	3296-42	8	Nut-Lock, NI
22	55-8921-03	1	Ring-Support, Chute
23	55-8700	1	Housing
24	46-8092	2	Screw-Plastite
26	55-8910-03	2	Ring-Retainer, Chute
28	55-8720	1	Ring-Gear, Chute
29	100-5486	3	Screw-Truss Hd, Phillips
30	3290-456	2	Washer-Belleville
31	3256-68	2	Washer-Flat
32	3256-70	3	Washer-Flat
33	3296-29	3	Nut-Lock, NI



Impeller Assembly

Ref	Part No.	Qty.	Description
1	99-9313	2	Blade-Rotor
2	55-9370	4	Spacer-Blade, Rotor
3	100-5478-03	1	Rotor ASM
4	3296-56	13	Nut-Lock, NI
5	66-6600-03	2	Half-Rotor
6	84-1971	8	Screw
7	321-8	1	Screw-HH
8	321-4	4	Screw-HH

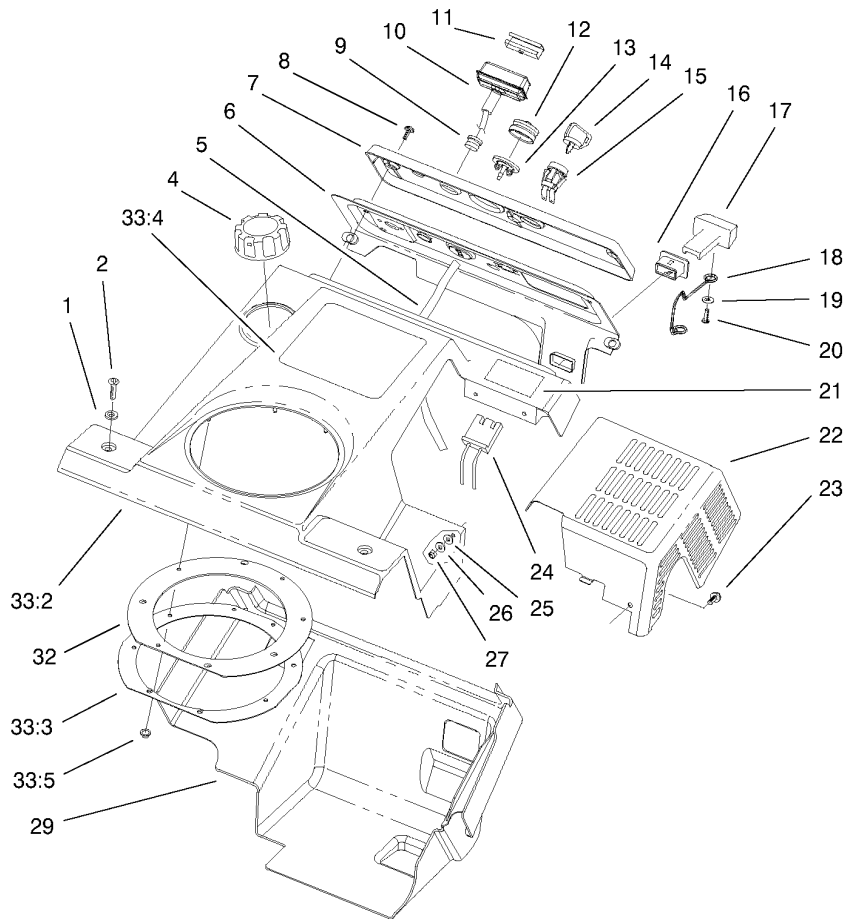
--	--	--	--



Engine and Frame Assembly

Ref	Part No.	Qty.	Description
1	32152-8	1	Nut-Lock, Cone
3	237-89	1	Grommet-Rubber
4	94-9920	1	Tank-Gas
5	55-9310	1	Seal-Foam
6	49-2482	1	Line-Fuel
7	2412-98	4	Clamp
8	56-6360	1	Filter-Fuel
9	94-9932	1	Hose-Fuel
10	32144-27	3	Screw-Plastite (Only On: 38445, 38442)
11	3296-42	4	Nut-Lock, NI
12	3256-22	2	Washer-Flat
13	321-4	4	Screw-HH
14	250-4	1	Tie-Cable
15		1	Engine-Briggs And Stratton, 084232-0121-E1 (Only On: 38440, 38441)
15		1	Engine-Briggs And Stratton, 084233-0198-E1 (Only On: 38445)
15		1	Engine-Briggs And Stratton (Only On: 38442)
20	322-3	2	Screw-HH
21	3290-456	4	Washer-Belleville
22	322-3	4	Screw-HH

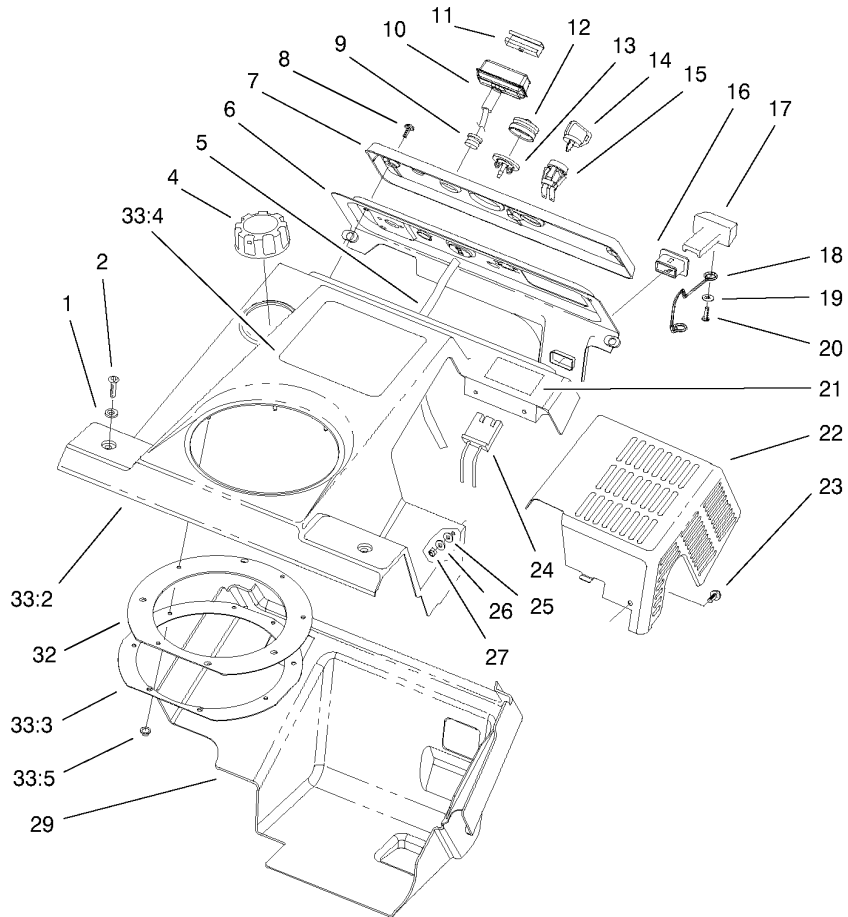
Ref	Part No.	Qty.	Description
23	55-9460	2	Mount-Rebound
24	55-9470	2	Spacer Tube
25	32112-14	2	Nut-Push
26	66-6510	2	Wheel
27	66-6501	1	Spacer-Wheel
28	95-1892-03	1	Frame
29	3296-29	3	Nut-Lock, NI
30	55-9450	2	Load Mount
31	66-6500	1	Spacer-Wheel
32	94-9918-03	1	Support-Recoil
33	2412-91	1	Clamp (Only On: 38445, 38442)
34	71-5320	1	Washer-Support, Engine
35	3296-16	1	Nut-Lock, NI
99	28-9170	1	Cord (Only On: 38445)



Upper Shroud and Control Panel Assembly

Ref	Part No.	Qty.	Description
1	3256-22	2	Washer-Flat
2	3250-32	2	Screw-PPH
3	100-3308	1	Decal-Ccr 3650 Gts E (Only On: 38445, 38442)
3	100-3307	1	Decal-Ccr 3650 Gts (Only On: 38440, 38441)
4	55-3573	1	Cap-Fuel ASM
5	98-1372	1	Hose-Primer
6	55-9490-03	1	Panel-Control
7	94-2570	1	Nameplate-Control (Only On: 38441)
7	104-2771	1	Nameplate-Control (Only On: 38440)
7	104-2772	1	Nameplate-Control (Elect St)(Only On: 38445)
7	94-2569	1	Plate (Only On: 38442)
8	32144-112	3	Screw-HWH
9	55-9410	1	Guide-Rope, Starter
10	612825	1	Handle-Start
11	612824	1	Clip-Starter
12	66-7460	1	Bulb-Primer
13	44-2750	1	Body-Primer
14	63-8360	1	Key-Ignition
15	40-5940	1	Switch
16	55-8820	1	Fitting

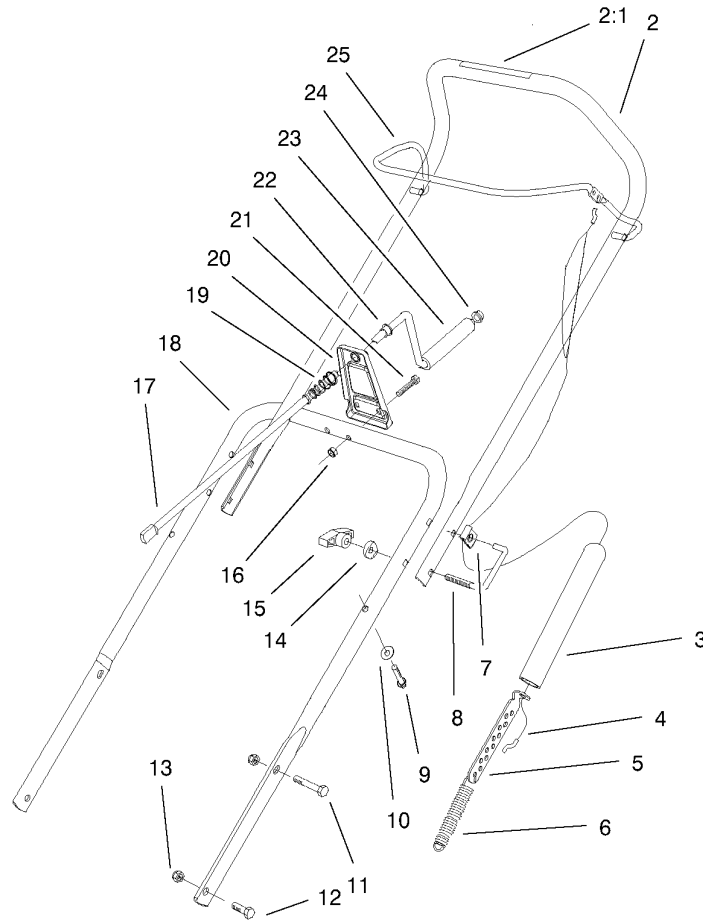
Ref	Part No.	Qty.	Description
17	55-8810	1	Choke Control (Only On: 38440, 38445)
17	55-8811	1	Choke Control (Only On: 38441, 38442)
18	95-7439	1	Linkage-Choke
19	3256-49	1	Washer-Flat
20	32144-111	1	Screw-PPH
21	98-1373	1	Decal
22	55-9210-03	1	Shield-Heat
23	32105-8	4	Screw-SHH
24	218-532	1	Connector-Body
25	55-9660	4	Washer
26	3256-14	4	Washer-Flat
27	3296-12	4	Nut-Lock
28	61-4790	1	Decal (Only On: 38445)
29	94-9919	1	Shroud - Lower
30	3290-474	8	Palnut
31	55-9540-03	1	Retainer-Seal, Chute
32	55-9260	1	Seal-Chute
33	100-3303	1	Upper Shroud/Decal ASM (Only On: 38445, 38442)
33	100-3302	1	Upper Shroud/Decal ASM (Only On: 38440, 38441)
33:2	55-9260	1	Seal-Chute
33:3	55-9540-03	1	Retainer-Seal, Chute



Upper Shroud and Control Panel Assembly (continued)

Ref	Part No.	Qty.	Description
33:4	100-3308	1	Decal-Ccr 3650 Gts E (Only On: 38445, 38442)
33:4	100-3307	1	Decal-Ccr 3650 Gts (Only On: 38440, 38441)
33:5	3290-474	8	Palnut

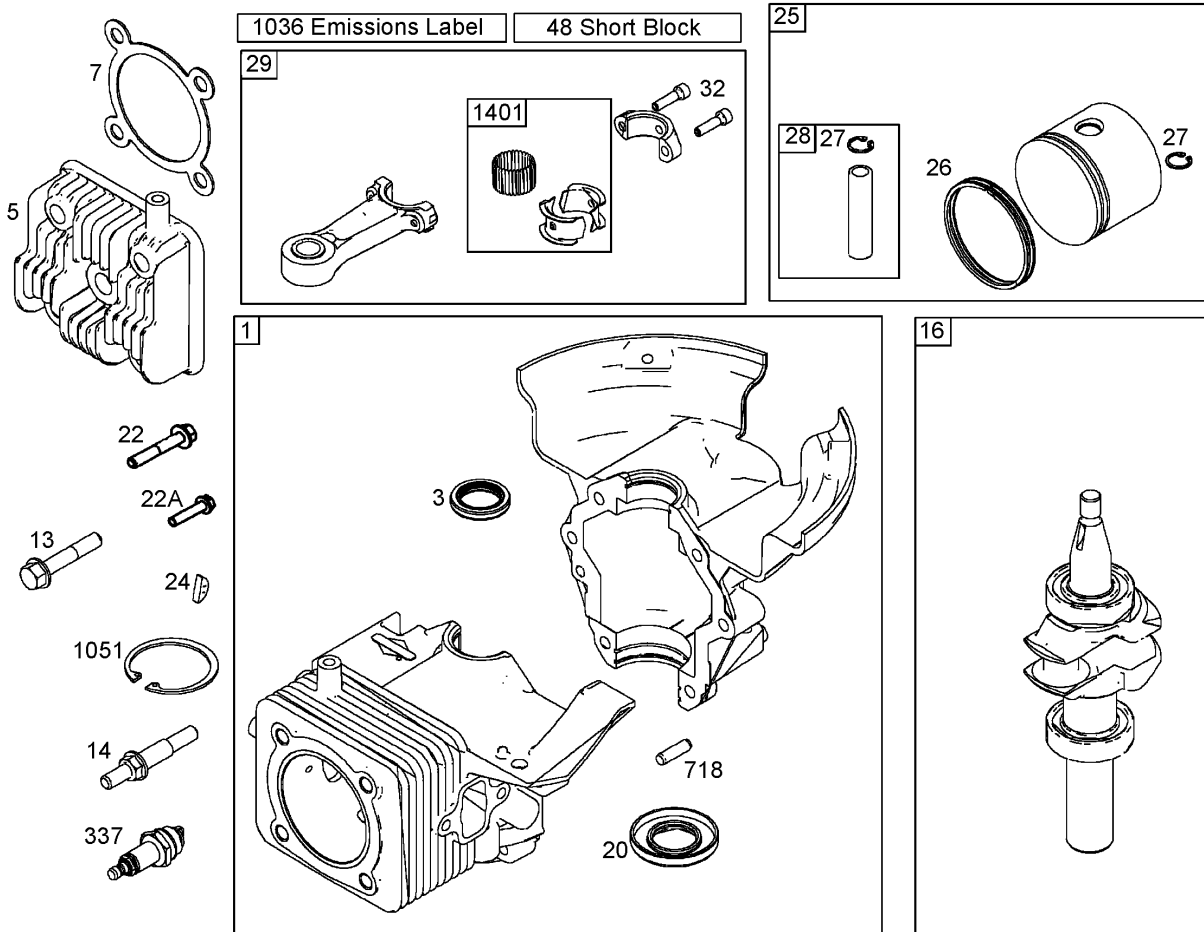
--	--	--	--



Handle Assembly

Ref	Part No.	Qty.	Description
1	94-2577	1	Decal-Rotor Drive (Only On: 38441, 38442)
1	104-2775	1	Decal-Rotor Drive (Only On: 38440, 38445)
2	98-2272	1	Upper Handle/Decal ASM (Only On: 38441, 38442)
2	95-2669	1	ASM-Upper Handle (Dom)(Only On: 38440, 38445)
2:1	94-2577	1	Decal-Rotor Drive (Only On: 38441, 38442)
3	55-9390	1	Cover-Spring
4	55-9322	1	Cable-Clutch
5	55-9380	1	Adjuster-Cable
6	55-9270	1	Spring-Extension
7	2412-112	1	Clamp
8	98-2266	2	Lock-Handle
9	61-8640	2	Screw
10	3-7501	2	Washer
11	322-9	2	Screw-HH
12	322-3	2	Screw-HH
13	3296-29	4	Nut-Lock, NI
14	75-9130	2	Washer-Curved
15	98-7134	2	Knob-Handle
16	3296-42	2	Nut-Lock, NI
17	55-9140	1	Rod-Crank, Chute

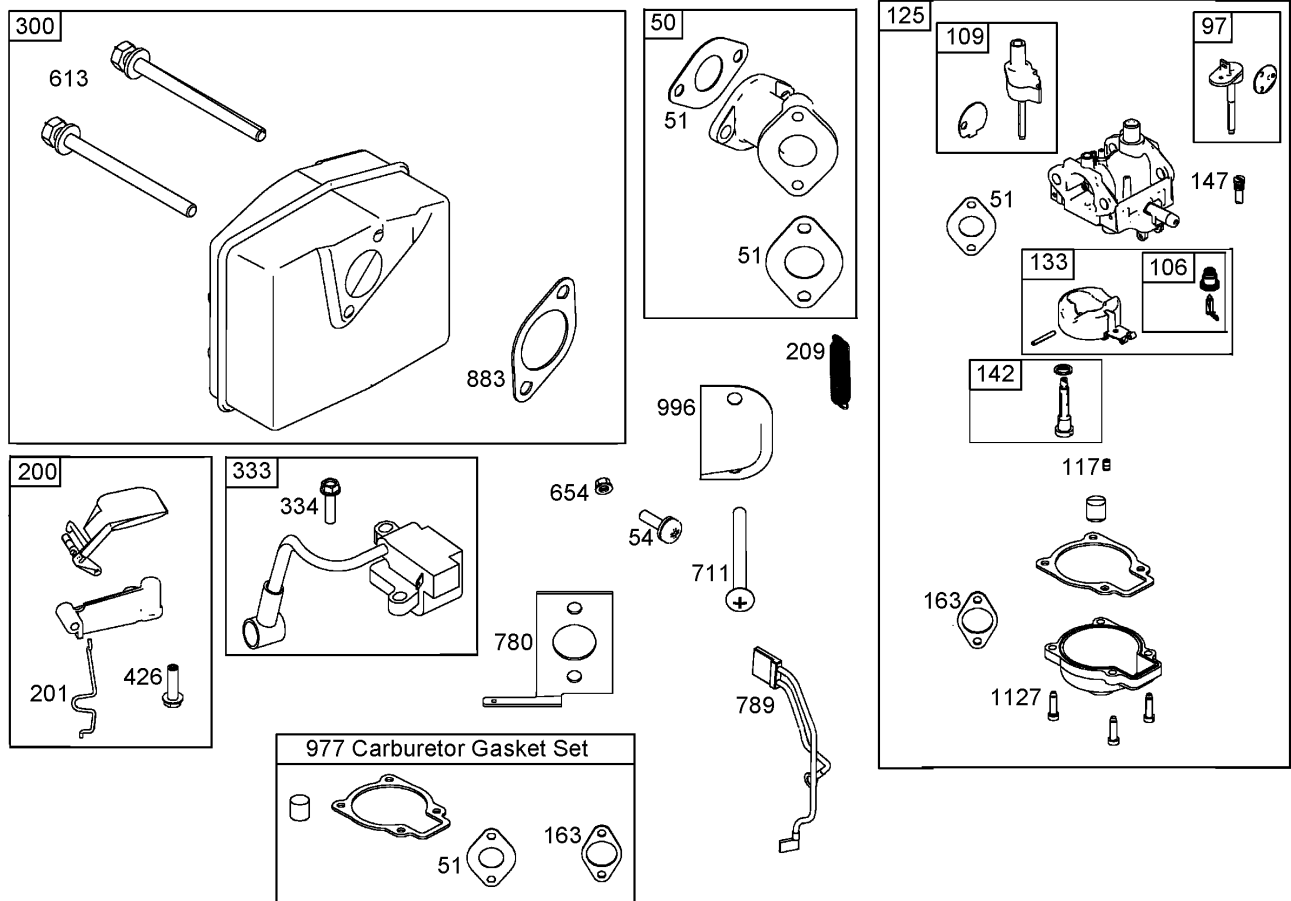
Ref	Part No.	Qty.	Description
18	55-9121-03	1	Handle-Lower
19	55-9440	1	Spring-Compression
20	55-9090-03	1	Support-Crank, Chute
21	321-13	2	Screw-HH
22	256-249	1	Bushing
23	40-8230	1	Grip-Chute Control
24	3290-320	1	Retainer-Push On
25	100-5473-03	1	Bail-Control



Cylinder, Piston, and Connecting Rod Assemblies Briggs and Stratton 084232-0121-E1

Ref	Part No.	Qty.	Description
1	801260	1	Cylinder ASM
3	801262	1	Seal-Oil
5	801283	1	Head-Cylinder
7	801263	1	Gasket-Head, Cylinder
13	801264	1	Screw (Cylinder Head)
14	801265	1	Stud (Cylinder Head)
16	801220	1	Crankshaft
20	801261	1	Seal-Oil
22	801266	1	Screw (Crankcase Cover And Sump)
22A	801271	1	Screw (Crankcase Cover And Sump)
24	801234	1	Key-Flywheel
25	801279	1	Piston ASM
26	801280	1	Ring Set
27	801275	1	Lock-Pin, Piston
28	801276	1	Pin-Piston
29	801277	1	Rod-Connecting
32	801278	1	Screw
48	801284	1	Short Block
337	801254	1	Plug-Spark
718	690959	1	Pin-Locating
1036	801294	1	Label-Emissions
1051	801274	1	Ring-Retaining

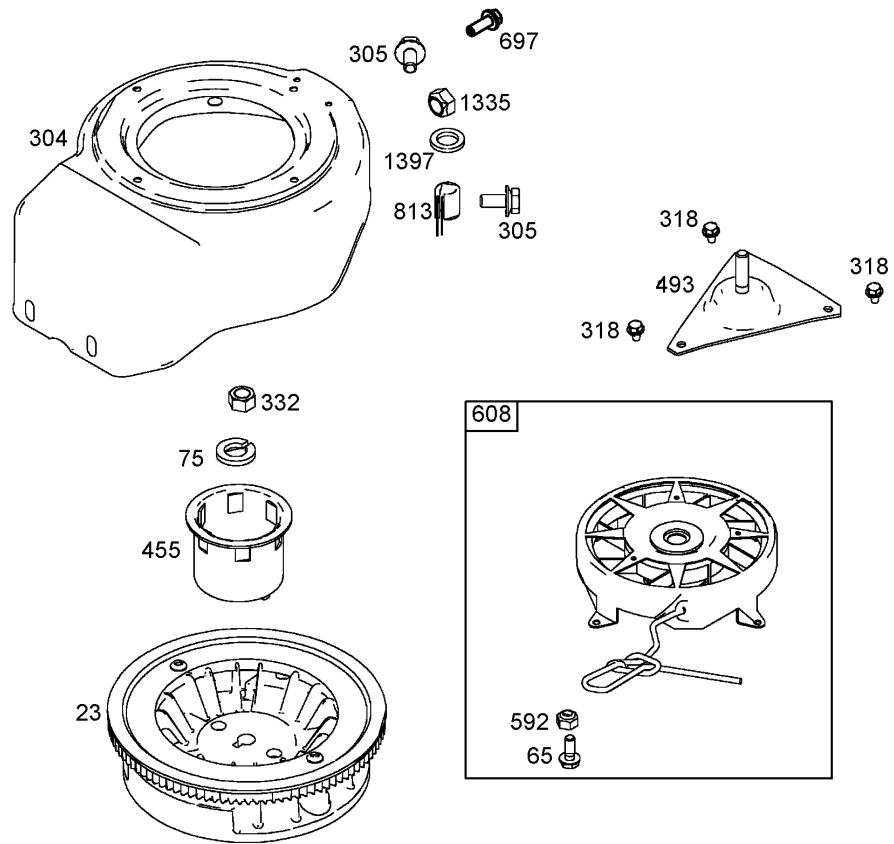
Ref	Part No.	Qty.	Description
1401	801290	1	Roller-Strip



Muffler, Carburetor, and Intake Manifold Assemblies Briggs and Stratton 084232-0121-E1

Ref	Part No.	Qty.	Description
50	801232	1	Manifold-Intake
51	801224	1	Gasket-Intake
54	801230	1	Screw (Intake Manifold)
97	801306	1	Shaft-Throttle
106	801317	1	Seat-Inlet
109	801307	1	Shaft-Choke
117	801310	1	Jet-Main
125	801233	1	Carburetor
133	801316	1	Float-Carburetor
142	801313	1	Nozzle-Carburetor
147	801308	1	Jet-Pilot
163	801227	1	Gasket-Cleaner, Air
200	801289	1	Blade-Governor
201	801225	1	Link-Vane, Air
209	801223	1	Spring-Governor
300	801250	1	Muffler
333	801268	1	Armature-Magneto
334	801267	1	Screw
426	801231	1	Screw
613	801251	1	Screw
654	801324	1	Nut (Intake Manifold) (Used Before Engine Code Date 05042600)
711	801229	1	Screw

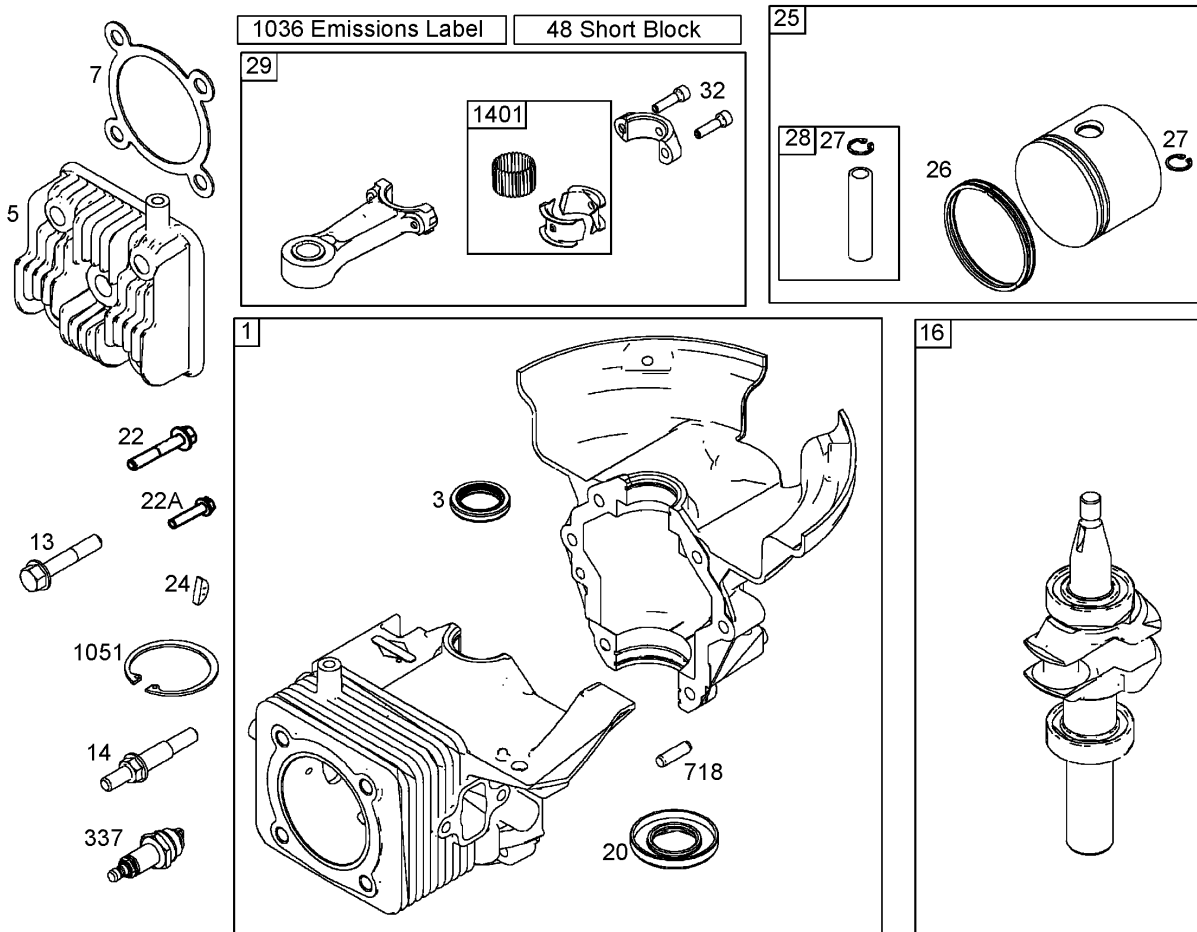
Ref	Part No.	Qty.	Description
780	801228	1	Anchor-Spring
789	801253	1	Wire ASM
883	801252	1	Gasket-Exhaust
977	801312	1	Gasket Set-Carburetor
996	801226	1	Shield-Carburetor
1127	801318	1	Screw



Flywheel, Blower Housing and Starter Assemblies Briggs and Stratton 084232-0121-E1

Ref	Part No.	Qty.	Description
③23	801246	1	Flywheel
③65	801243	1	Screw
③75	801237	1	Washer
③304	801257	1	Housing-Blower
③305	801239	1	Screw (Blower Housing)
③318	801241	1	Screw
③332	801238	1	Nut
③455	801235	1	Cup-Flywheel
③493	801240	1	Bracket-Mounting
③592	801244	1	Nut
③608	801242	1	Starter-Rewind
③697	801248	1	Screw (Strater Motor)
③813	801249	1	Clamp
③1335	801269	1	Nut (Blower Housing)
③1397	801270	1	Washer

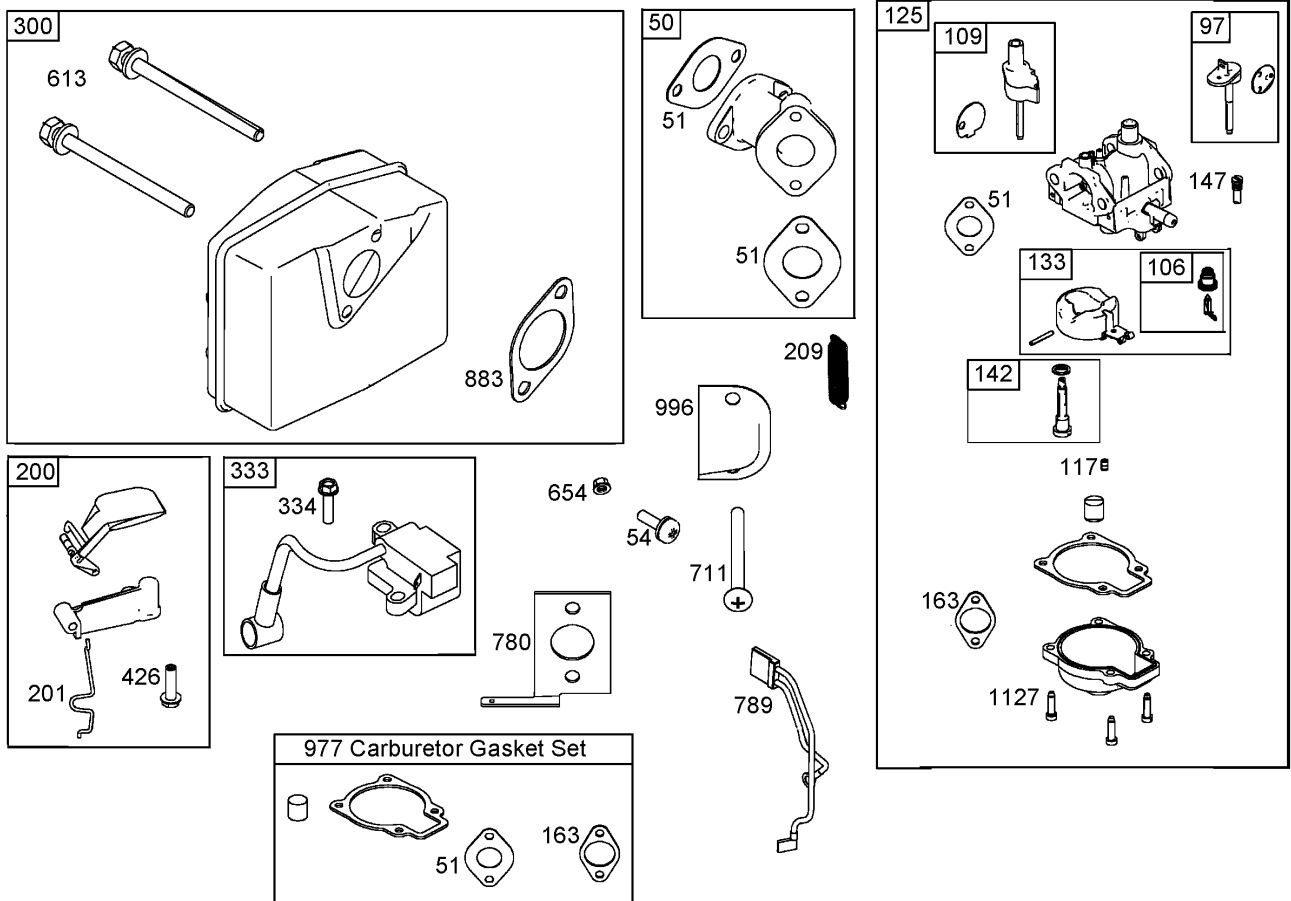
--	--	--	--



Cylinder, Piston, and Connecting Rod Assemblies Briggs and Stratton 084233-0198-E1

Ref	Part No.	Qty.	Description
1	801322	1	Cylinder ASM
3	801262	1	Seal-Oil
5	801283	1	Head-Cylinder
7	801263	1	Gasket-Head, Cylinder
13	801264	1	Screw (Cylinder Head)
14	801265	1	Stud (Cylinder Head)
16	801220	1	Crankshaft
20	801261	1	Seal-Oil
22	801266	1	Screw (Crankcase Cover And Sump)
22A	801271	1	Screw (Crankcase Cover And Sump)
24	801234	1	Key-Flywheel
25	801279	1	Piston ASM
26	801280	1	Ring Set
27	801275	1	Lock-Pin, Piston
28	801276	1	Pin-Piston
29	801277	1	Rod-Connecting
32	801278	1	Screw
48	801285	1	Short Block
337	801254	1	Plug-Spark
718	690959	1	Pin-Locating
1036	801294	1	Label-Emissions
1051	801274	1	Ring-Retaining

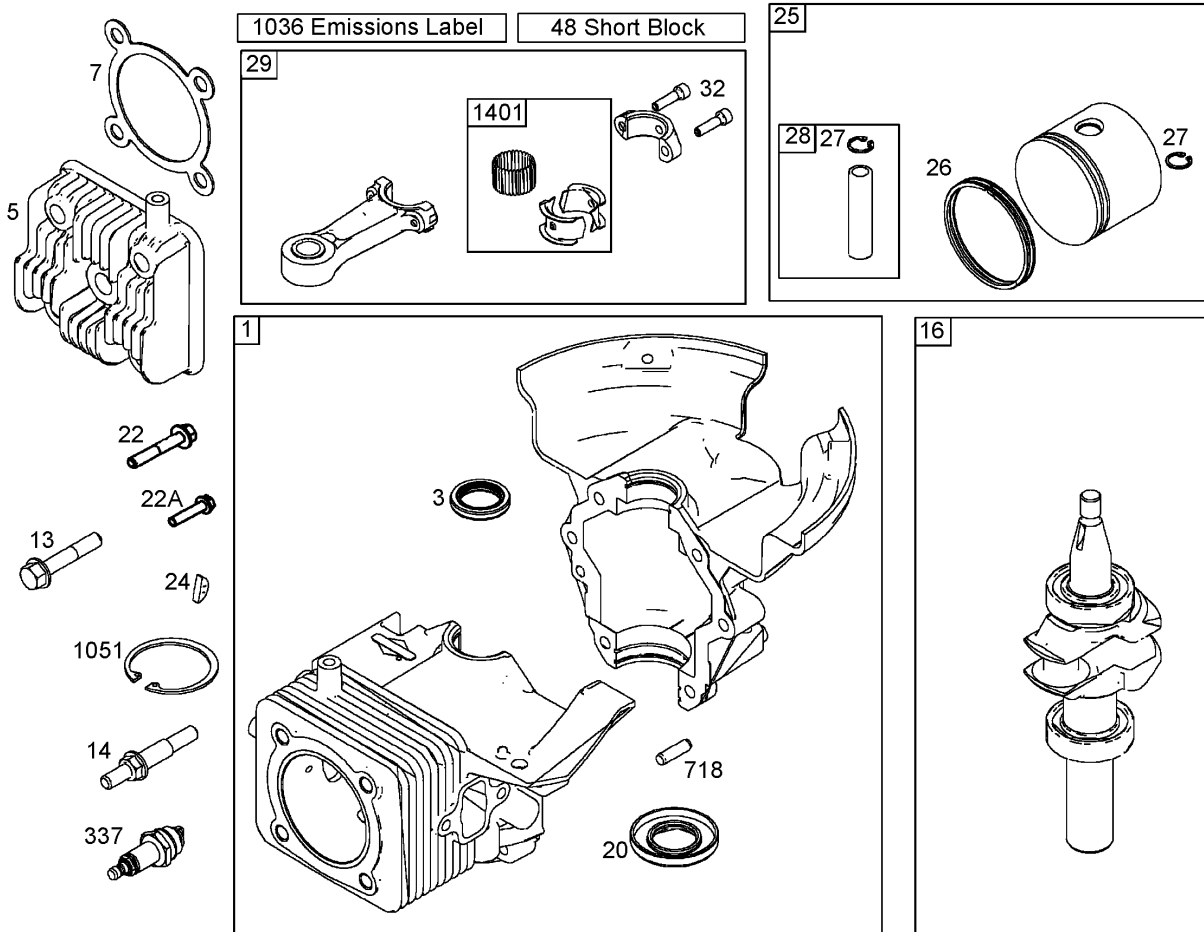
Ref	Part No.	Qty.	Description
1401	801290	1	Roller-Strip



Muffler, Carburetor, and Intake Manifold Assemblies Briggs and Stratton 084233-0198-E1

Ref	Part No.	Qty.	Description
●50	801232	1	Manifold-Intake
●51	801224	1	Gasket-Intake
●54	801230	1	Screw (Intake Manifold)
●97	801306	1	Shaft-Throttle
●106	801317	1	Seat-Inlet
●109	801307	1	Shaft-Choke
●117	801310	1	Jet-Main
●125	801233	1	Carburetor
●133	801316	1	Float-Carburetor
●142	801313	1	Nozzle-Carburetor
●147	801308	1	Jet-Pilot
●163	801227	1	Gasket-Cleaner, Air
●200	801289	1	Blade-Governor
●201	801225	1	Link-Vane, Air
●209	801223	1	Spring-Governor
●300	801250	1	Muffler
●333	801268	1	Armature-Magneto
●334	801267	1	Screw
●426	801231	1	Screw
●613	801251	1	Screw
●654	801324	1	Nut (Intake Manifold) (Use Before Engine Code Date 05042600)
●711	801229	1	Screw
●780	801228	1	Anchor-Spring

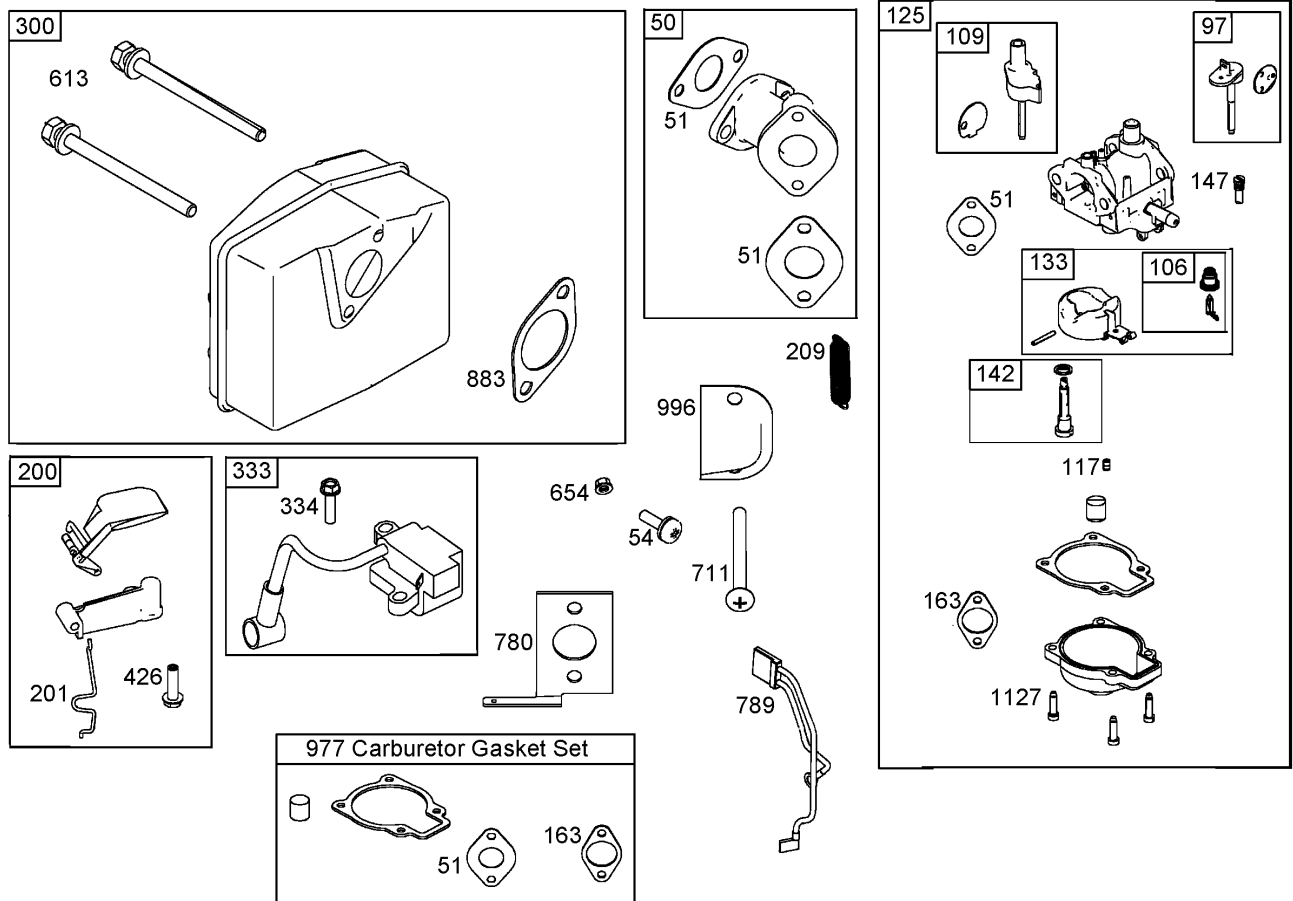
Ref	Part No.	Qty.	Description
●789	801253	1	Wire ASM
●883	801252	1	Gasket-Exhaust
●977	801312	1	Gasket Set-Carburetor
●996	801226	1	Shield-Carburetor
●1127	801318	1	Screw



Cylinder, Piston, and Connecting Rod Assemblies Briggs and Stratton

Ref	Part No.	Qty.	Description
●1	801322	1	Cylinder ASM
●3	801262	1	Seal-Oil
●5	801283	1	Head-Cylinder
●7	801263	1	Gasket-Head, Cylinder
●13	801264	1	Screw (Cylinder Head)
●14	801265	1	Stud (Cylinder Head)
●16	801220	1	Crankshaft
●20	801261	1	Seal-Oil
●22	801266	1	Screw (Crankcase Cover And Sump)
●22A	801271	1	Screw (Crankcase Cover And Sump)
●24	801234	1	Key-Flywheel
●25	801279	1	Piston ASM
●26	801280	1	Ring Set
●27	801275	1	Lock-Pin, Piston
●28	801276	1	Pin-Piston
●29	801277	1	Rod-Connecting
●32	801278	1	Screw
●48	801285	1	Short Block
●337	801254	1	Plug-Spark
●718	690959	1	Pin-Locating
●1036	801294	1	Label-Emissions
●1051	801274	1	Ring-Retaining

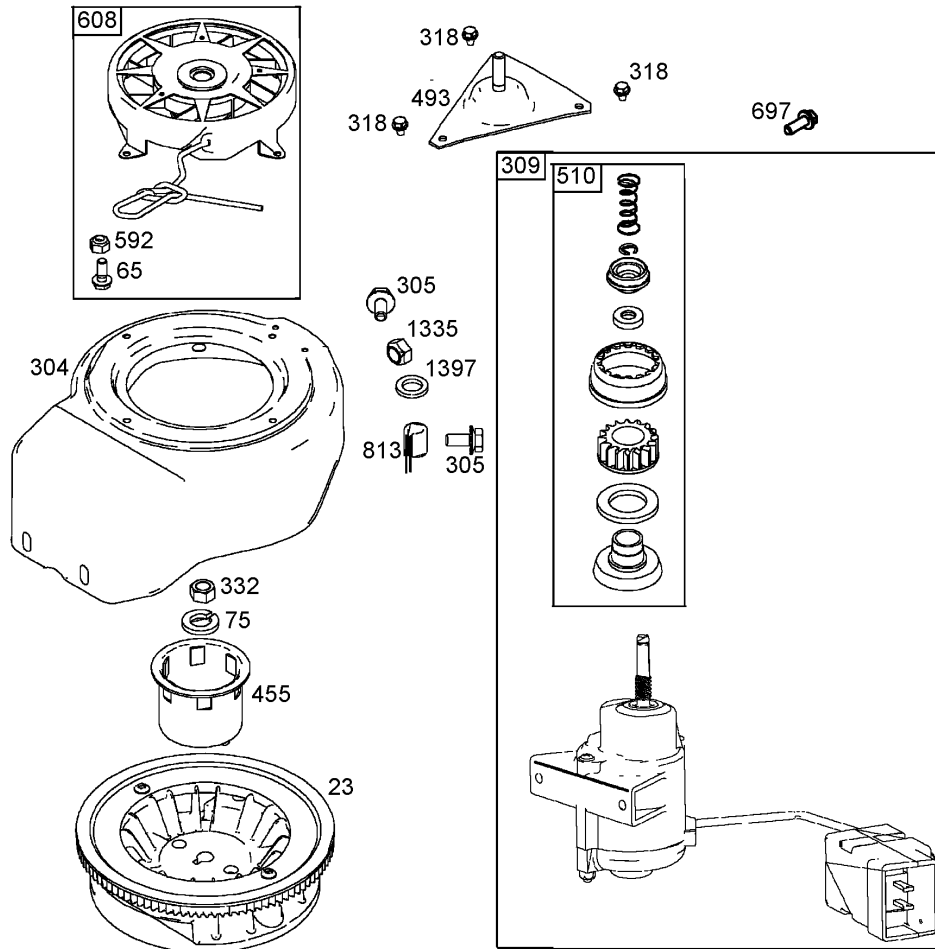
Ref	Part No.	Qty.	Description
●1401	801290	1	Roller-Strip



Muffler, Carburetor, and Intake Manifold Assemblies Briggs and Stratton

Ref	Part No.	Qty.	Description
●50	801232	1	Manifold-Intake
●51	801224	1	Gasket-Intake
●54	801230	1	Screw (Intake Manifold)
●97	801306	1	Shaft-Throttle
●106	801317	1	Seat-Inlet
●109	801307	1	Shaft-Choke
●117	801310	1	Jet-Main
●125	801233	1	Carburetor
●133	801316	1	Float-Carburetor
●142	801313	1	Nozzle-Carburetor
●147	801308	1	Jet-Pilot
●163	801227	1	Gasket-Cleaner, Air
●200	801289	1	Blade-Governor
●201	801225	1	Link-Vane, Air
●209	801223	1	Spring-Governor
●300	801250	1	Muffler
●333	801268	1	Armature-Magneto
●334	801267	1	Screw
●426	801231	1	Screw
●613	801251	1	Screw
●654	801324	1	Nut (Intake Manifold) (Used Before Engine Code Date 05042600)
●711	801229	1	Screw

Ref	Part No.	Qty.	Description
●780	801228	1	Anchor-Spring
●789	801253	1	Wire ASM
●883	801252	1	Gasket-Exhaust
●977	801312	1	Gasket Set-Carburetor
●996	801226	1	Shield-Carburetor
●1127	801318	1	Screw



Flywheel, Blower Housing, and Starter Assemblies Briggs and Stratton

Ref	Part No.	Qty.	Description
●23	801246	1	Flywheel
●65	801243	1	Screw
●75	801237	1	Washer
●304	801328	1	Housing-Blower
●305	801239	1	Screw
●309	801329	1	Motor-Starter
●318	801241	1	Screw
●332	801238	1	Nut
●455	801235	1	Cup-Flywheel
●493	801240	1	Bracket-Mounting
●510	801293	1	Drive-Starter
●592	801244	1	Nut
●608	801242	1	Starter-Rewind
●697	801248	1	Screw
●813	801249	1	Clamp
●1335	801269	1	Nut
●1397	801270	1	Washer

--	--	--	--

