



CCR™ 2450 GTS® Snowthrower

Model No. 38535 - 240000001 and up.

Parts Catalog

Ordering Replacement Parts

To order replacement parts, please supply the part number, the quantity, and the description of each part desired.

Understanding Reference Numbers

Each identified part in an illustration has a reference number. The reference number for a part also appears in the parts list, along with other information about the part.

This catalog uses two special reference number formats, one to indicate parts in a service assembly and another to indicate the quantity of a given part in an illustration.

Service Assembly Reference Numbers

Parts in service assemblies have reference numbers in the form a:b. The a represents the reference number of the entire service assembly and the b represents a sequential number unique to each part within the service assembly.

For example, a wheel assembly might be identified by reference number 6, the tire by 6:1, the valve by 6:2, and the wheel by 6:3. When you order the assembly identified by reference number 6, you receive all parts identified by reference numbers 6:1, 6:2, and 6:3. However, you may also order any part individually. Reference numbers of this type appear in illustrations and in part lists.

Reference Numbers Indicating Quantity

In an illustration, if a reference number indicates more than one part, the reference number has the form nX y. The n represents the quantity of the part, the X is the multiplication symbol, and the y represents the reference number.

For example, in an illustration, the reference number 2X 37 means that two of the parts identified by reference number 37 are indicated.

Contents

Description	Page	Description	Page
Housing and Side Plate Assembly 3	Handle Assembly 10
Impeller Drive Assembly 4	Cylinder, Piston, and Connecting Rod	
Chute Assembly 5	Assemblies Briggs and Stratton 084132-0120- E1 11
Impeller Assembly 6	Muffler, Carburetor, and Intake Manifold	
Engine and Frame Assembly 7	Assemblies Briggs and Stratton 084132-0120- E1 12
Upper Shroud and Control Panel Assembly 8	Flywheel, Blower Housing, and Rewind Starter	
Upper Shroud Assembly No. 106-4731 9	Assemblies Briggs and Stratton 084132-0120- E1 13

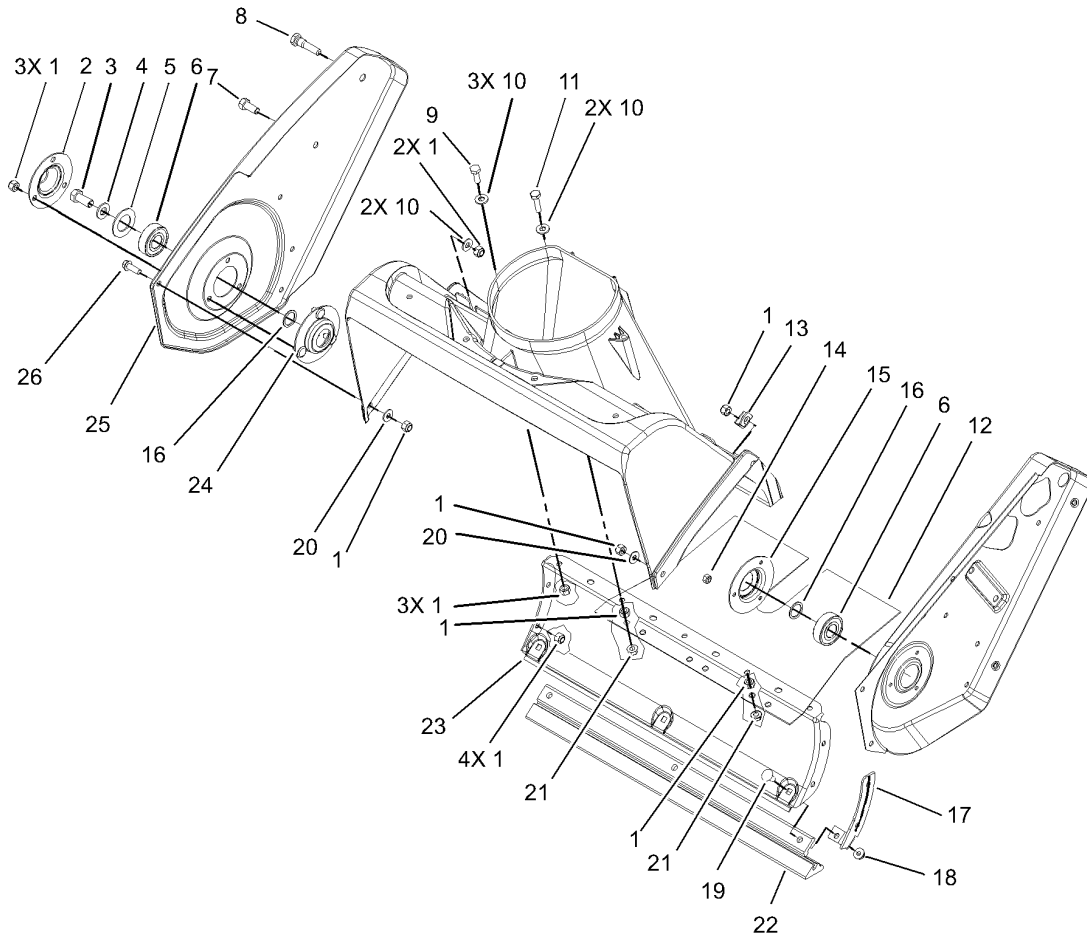
Part Description Abbreviations

Part descriptions in this catalog may include the following abbreviations.

AR. as required	INC. incorporated
ASM. assembly	LH. left hand
BBC. blade brake clutch	NI. nylon insert
CARR. carriage	NPTF. national pipe thread fine
DEG. degrees	PFH. phillips flat head
EXT. external	PPH. phillips pan head
FH. flat head	PPHTF. phillips pan head thread forming
GA. gauge	PRH. phillips round head
HF. hex flange	PTH. phillips truss head
HH. hex head	PTO. power-take-off
HHF. hex head flange	RH. right hand
HHFTF. hex head flange thread forming	ROPS. roll-over-protection-system
HJ. hex jam	SFH. slotted fillister head
HLH. hex lag head	SHH. slotted hex head
HOC. height-of-cut	SHWH. slotted hex washer head
HSBH. hex socket button head	SPH. slotted pan head
HSFH. hex socket flat head	SQH. square head
HSH. hex socket head	SRH. slotted round head
HWH. hex washer head	STD. standard
HWHTF. hex washer head thread forming	TAP. self tapping
HYD. hydraulic	TTH. torx truss head

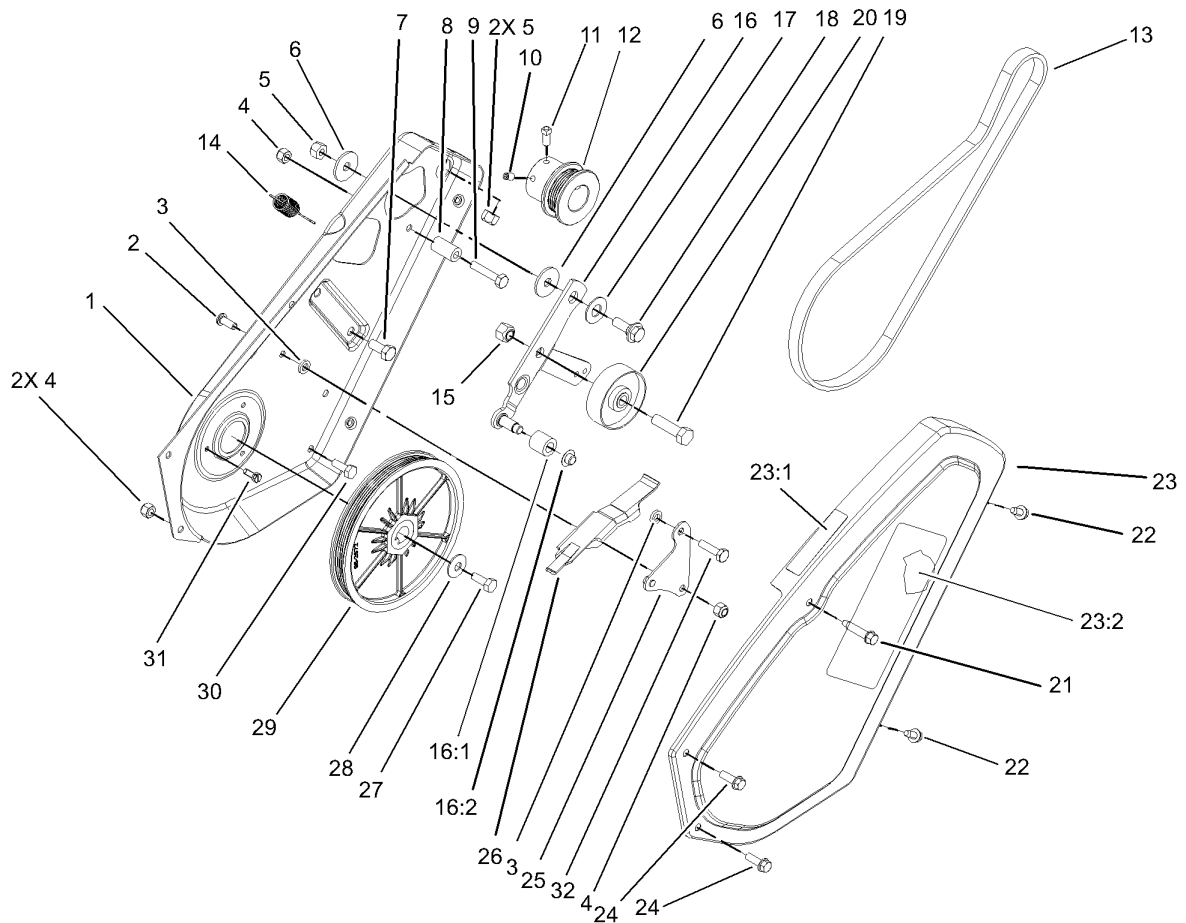
Footnotes

- ❶ Not serviced separately
- ❷ Obtain from your local Briggs & Stratton dealer



Housing and Side Plate Assembly

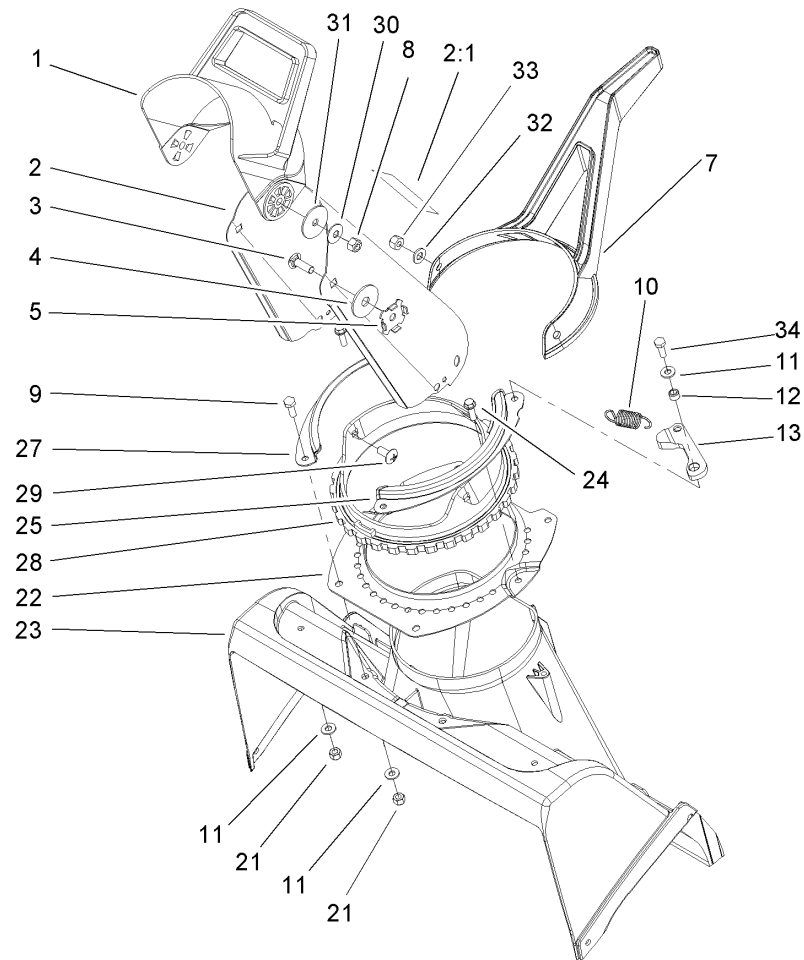
Ref	Part No.	Qty.	Description	Ref	Part No.	Qty.	Description
1	3296-42	17	Nut-Lock, NI	25	105-1952-03	1	Sideplate-Right
2	52-7290-03	1	Retainer-Bearing	26	32105-15	5	Screw
3	3234-25	1	Screw-HHF				
4	3256-24	1	Washer-Flat				
5	52-7270	1	Washer-Rubber				
6	100-1048	2	Bearing-Ball				
7	322-43	1	Screw-HH				
8	38-8211	1	Pin-Rotor				
9	321-4	3	Screw-HH				
10	3256-22	7	Washer-Flat				
11	321-6	2	Screw-HH				
12	55-9512	1	Cover-Bottom				
13	55-9430	1	Bracket-Housing				
14	3296-2	3	Nut-Lock				
15	38-8620	1	Flange-Bearing				
16	52-7280	2	Washer-Thrust				
17	56-2610	1	Bracket-Housing, Lower				
18	32149-2	3	Nut-Keps				
19	3229-11	3	Screw-CARR				
20	3256-1	2	Washer-Flat				
21	32128-10	2	Nut-Lock, HHF				
22	55-8760	1	Scraper				
23	105-1967-03	1	Housing-Lower				
24	52-9110	1	Flange-Bearing				



Impeller Drive Assembly

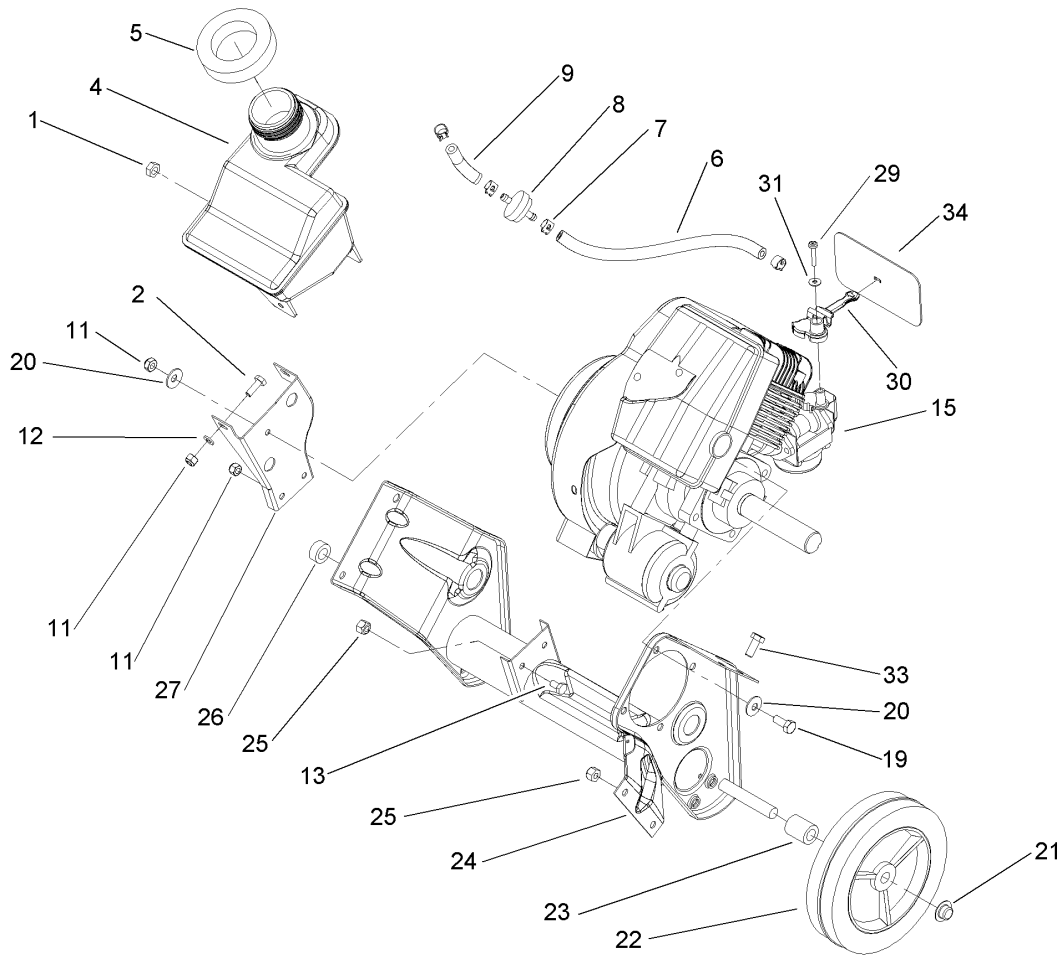
Ref	Part No.	Qty.	Description
1	55-8851-03	1	Plate-Side, LH
2	3274-31	1	Screw-HSBH
3	55-9620	2	Spacer-Plate, Pivot
4	3296-42	4	Nut-Lock, NI
5	3296-29	3	Nut-Lock, NI
6	5-4460	2	Washer-Pivot
7	322-3	2	Screw-HH
8	55-9530	1	Sleeve-Guide, Belt
9	321-13	1	Screw-HH
10	3245-41	1	Screw-HSH
11	3241-7	1	Screw-SQH
12	95-2673	1	Pulley-Engine
13	95-6151	1	Belt-Drive
14	55-9280	1	Spring-Extension
15	32152-2	1	Nut-Lock, Cone
16	105-3542	1	Idler Arm ASM
16:1	55-9520	1	Roller-Brake
16:2	32112-11	1	Nut-Push
17	25-5640	1	Washer
18	27-0410	1	Screw-Shoulder
19	323-29	1	Screw-HH
20	55-9290	1	Pulley-Idler
21	36-3860	1	Screw-HWH, TAP
22	12-3270	2	Screw

Ref	Part No.	Qty.	Description
23	105-1998	1	Drive-Cover W/Decal Ce
23:1	94-2561	1	Decal-Hot
23:2	60-9480	1	Decal
24	32105-15	2	Screw
25	55-9570	1	Pivot Plate ASM
26	55-9550	1	Brake-Arm
27	321-30	1	Screw-HH
28	3290-456	1	Washer-Belleville
29	95-2672	1	Pulley Rotor ASM
30	321-4	2	Screw-HH
31	32105-8	3	Screw-SHH
32	321-6	1	Screw-HH



Chute Assembly

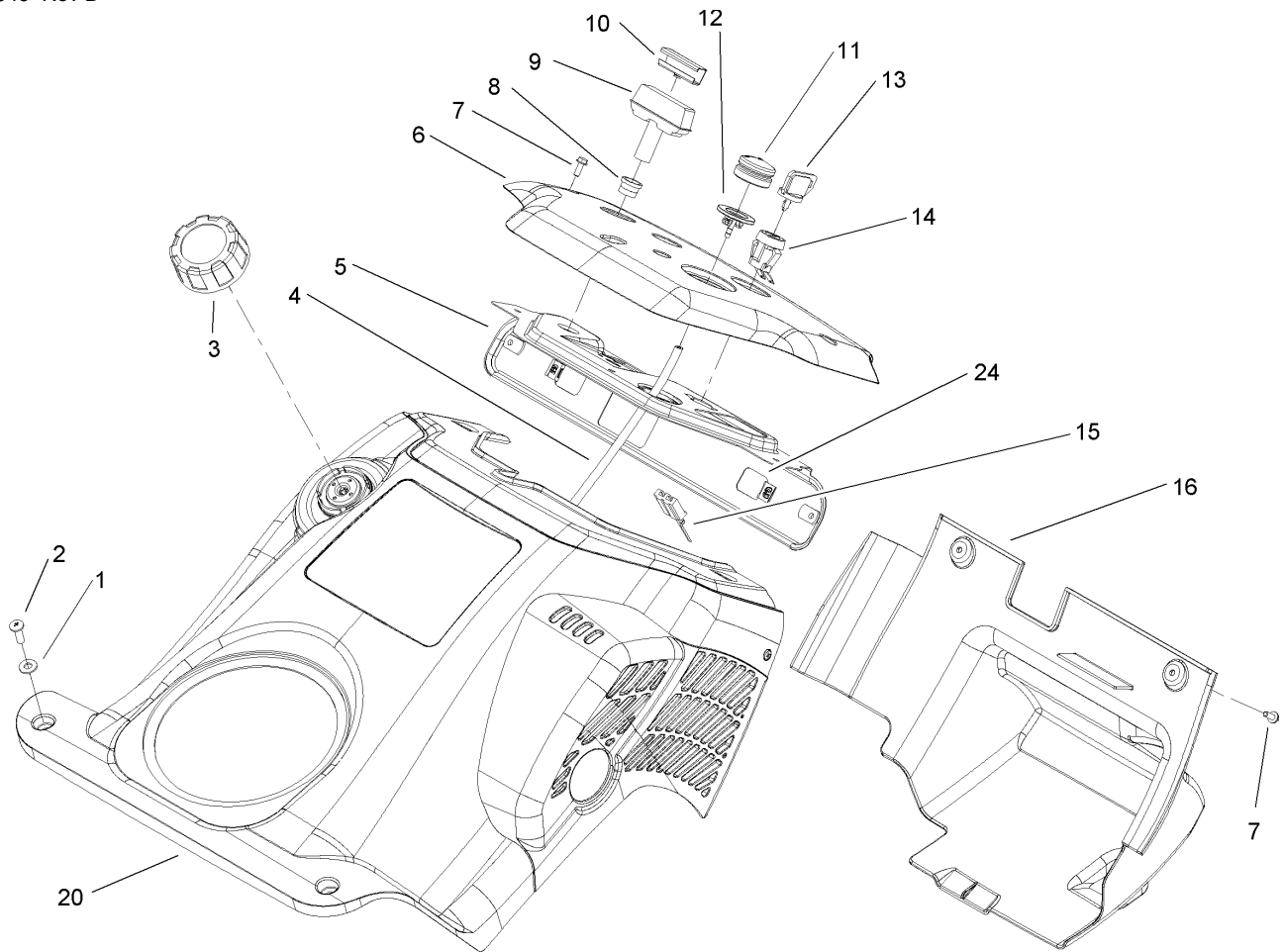
Ref	Part No.	Qty.	Description	Ref	Part No.	Qty.	Description
1	56-2680	1	Chute-Deflector	33	3296-47	3	Nut-Lock, NI
2	94-2791	1	Chute ASM W/Decal	34	321-6	1	Screw-HH
2:1	94-2901	1	Decal-Danger				
3	3230-22	2	Screw-CARR				
4	20-4320	2	Washer-Rubber				
5	55-8950	2	Plate-Friction				
7	94-9914	1	Handle-Control, Chute				
8	3296-29	2	Nut-Lock, NI				
9	321-4	3	Screw-HH				
10	80-4600	1	Spring-Extension				
11	3256-22	5	Washer-Flat				
12	55-9370	1	Spacer-Blade, Rotor				
13	80-4610	1	Detent				
21	3296-42	6	Nut-Lock, NI				
22	55-8921-03	1	Ring-Support, Chute				
23	105-1950	1	Housing-Rotor, Upper				
24	46-8091	2	Screw-HWH				
25	71-4980-03	1	Retainer-Chute, LH				
27	71-4990-03	1	Retainer-Chute, RH				
28	104-2763	1	Ring-Chute				
29	100-5487	3	Screw-PTH				
30	3290-456	2	Washer-Belleville				
31	3256-68	2	Washer-Flat				
32	3256-70	3	Washer-Flat				



Engine and Frame Assembly

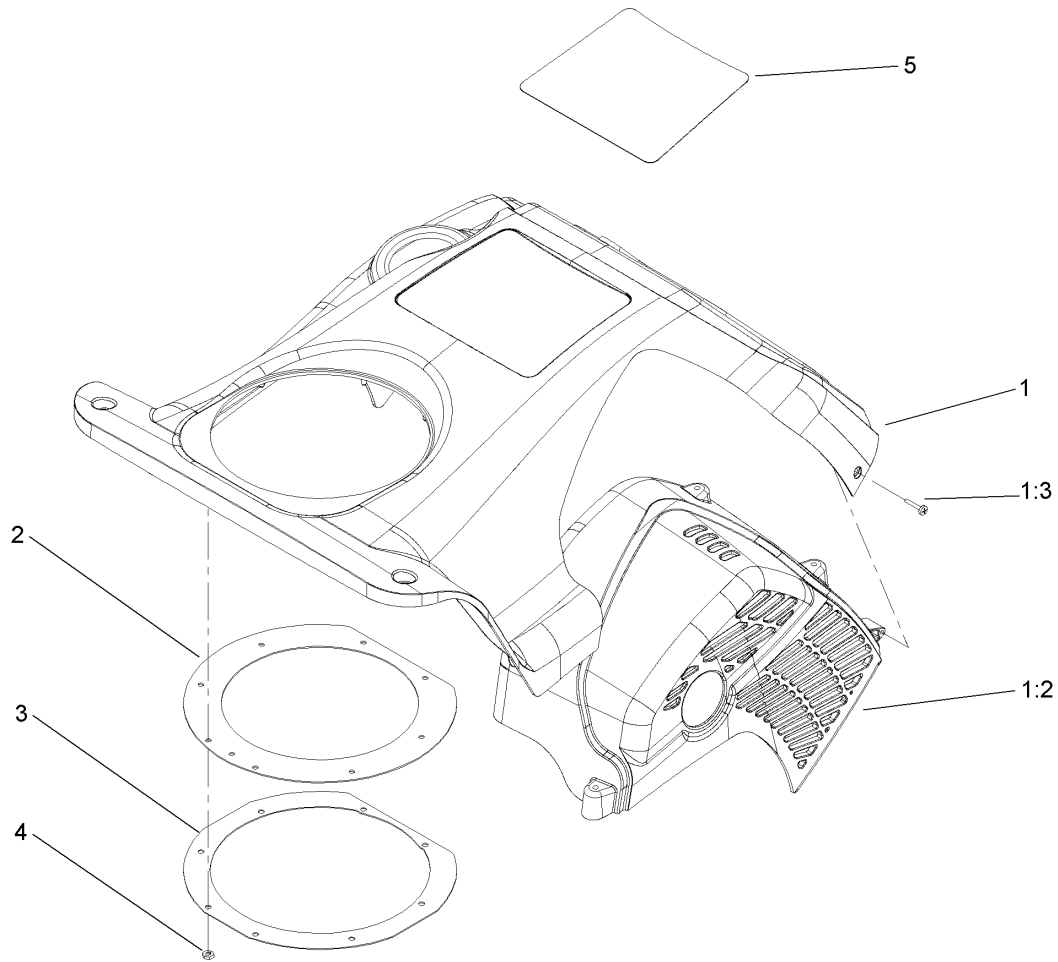
Ref	Part No.	Qty.	Description
1	32152-8	1	Nut-Lock, Cone
2	321-4	2	Screw-HH
4	105-8952	1	Tank-Gas
5	55-9310	1	Seal-Foam
6	49-2482	1	Line-Fuel
7	2412-98	4	Clamp
8	56-6360	1	Filter-Fuel
9	94-9932	1	Hose-Fuel
11	3296-42	5	Nut-Lock, NI
12	3256-22	2	Washer-Flat
13	321-2	2	Screw-HH
15		1	Engine-Briggs And Stratton, 084132-0120-E1
19	322-3	4	Screw-HH
20	3290-456	5	Washer-Belleville
21	32112-14	2	Nut-Push
22	66-6510	2	Wheel
23	66-6501	1	Spacer-Wheel
24	105-1965-03	1	Frame
25	3296-29	3	Nut-Lock, NI
26	66-6500	1	Spacer-Wheel
27	105-1968-03	1	Bracket-Support, Recoil
29	32144-97	1	Screw-PPH, Plastite
30	104-0878	1	Lever-Choke

Ref	Part No.	Qty.	Description
31	3256-14	1	Washer-Flat
33	322-43	2	Screw-HH
34	106-4738	1	Shield-Hole, Choke



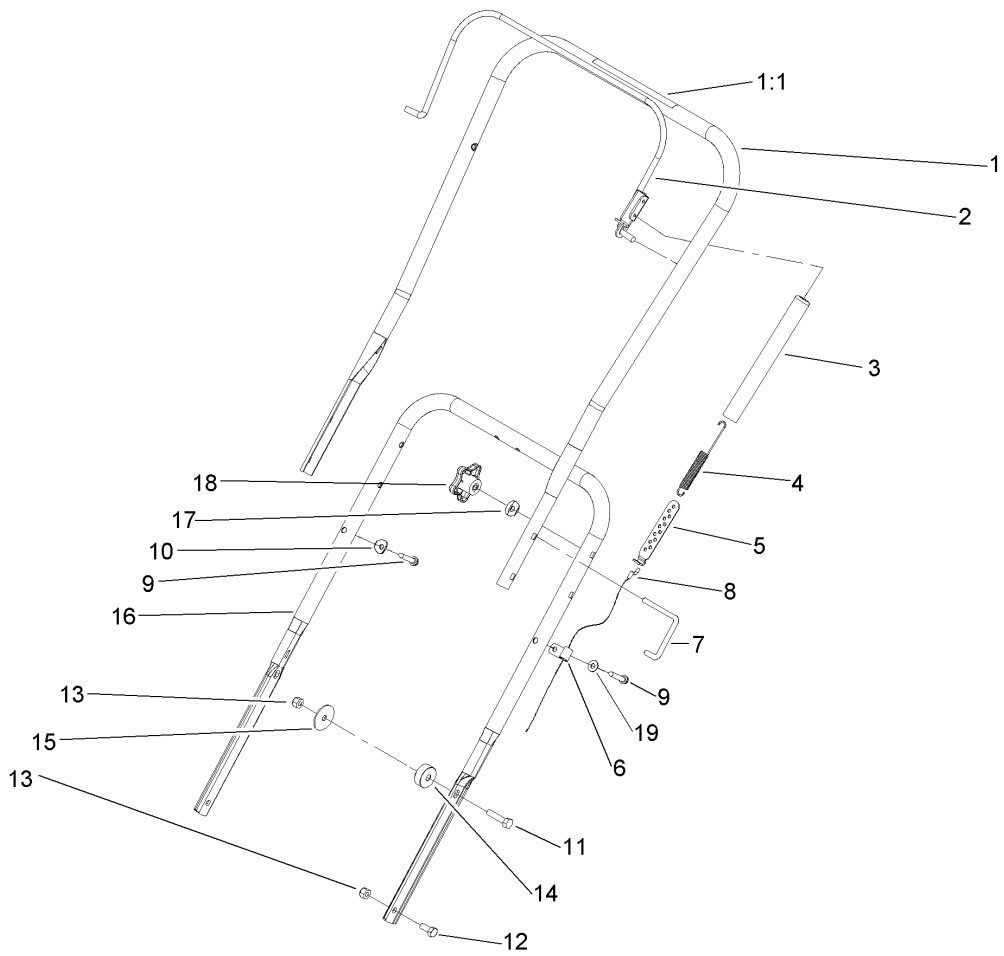
Upper Shroud and Control Panel Assembly

Ref	Part No.	Qty.	Description
1	3256-22	2	Washer-Flat
2	3250-32	2	Screw-PPH
3	104-4133	1	Gas Cap ASM
4	98-1372	1	Hose-Primer
5	105-1999-03	1	Panel-Support, Control
6	105-3522	1	Panel-Control
7	32144-112	5	Screw-HWH
8	55-9410	1	Guide-Rope, Starter
9	612825	1	Handle-Start
10	612824	1	Clip-Starter
11	66-7460	1	Bulb-Primer
12	44-2750	1	Body-Primer
13	63-8360	1	Key-Ignition
14	40-5940	1	Switch
15	218-532	1	Connector-Body
16	105-1964	1	Shroud-Lower, Ce
20	106-4731	1	Upper Shroud ASM
24	100-9889	2	Nut-Speed



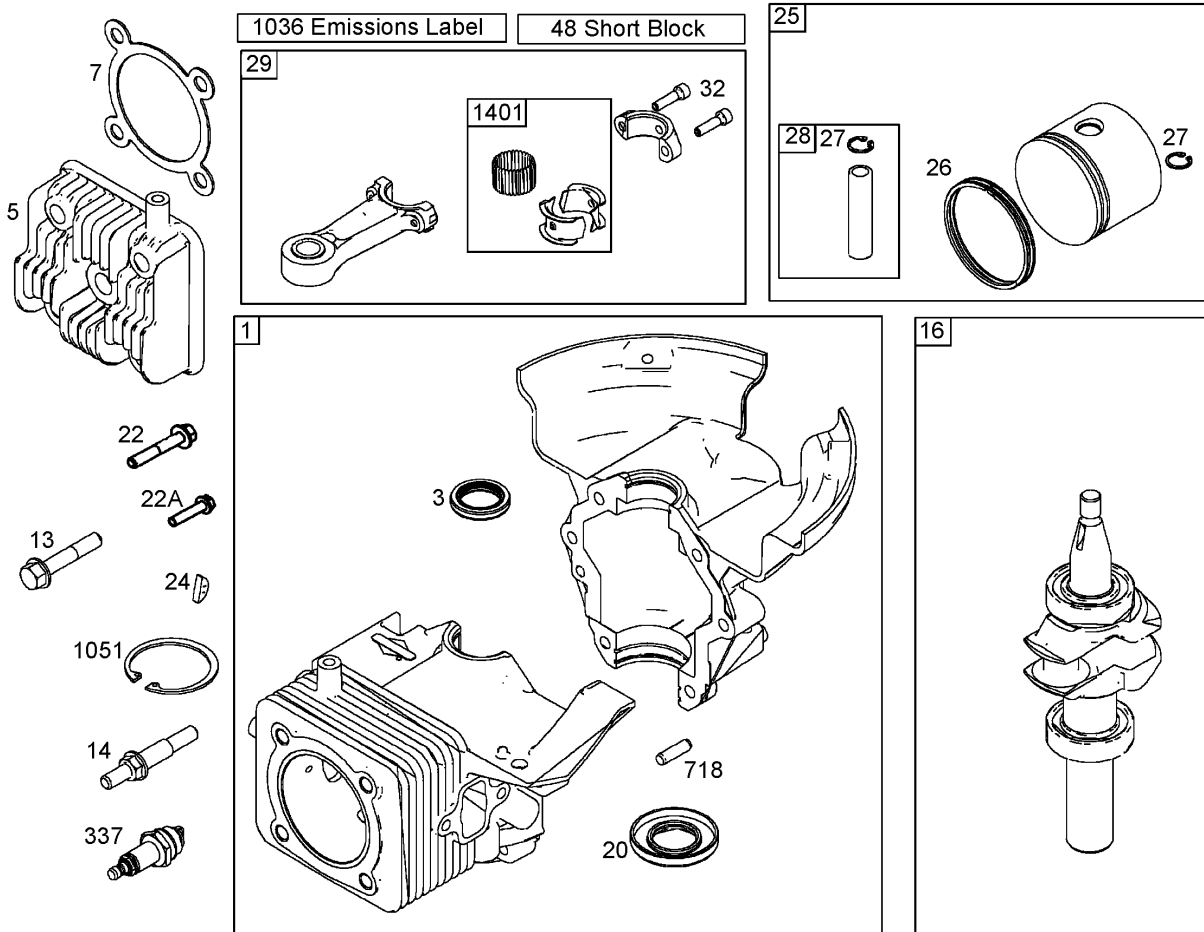
Upper Shroud Assembly No. 106-4731

Ref	Part No.	Qty.	Description				
1		1	Shroud-Upper				
1:2	105-1956	1	Shield-Heat				
1:3	94-4496	5	Screw-PPH				
2	105-3543	1	Seal-Chute				
3	55-9540-03	1	Retainer-Seal, Chute				
4	3290-474	8	Palnut				
5	106-4719	1	Decal				



Handle Assembly

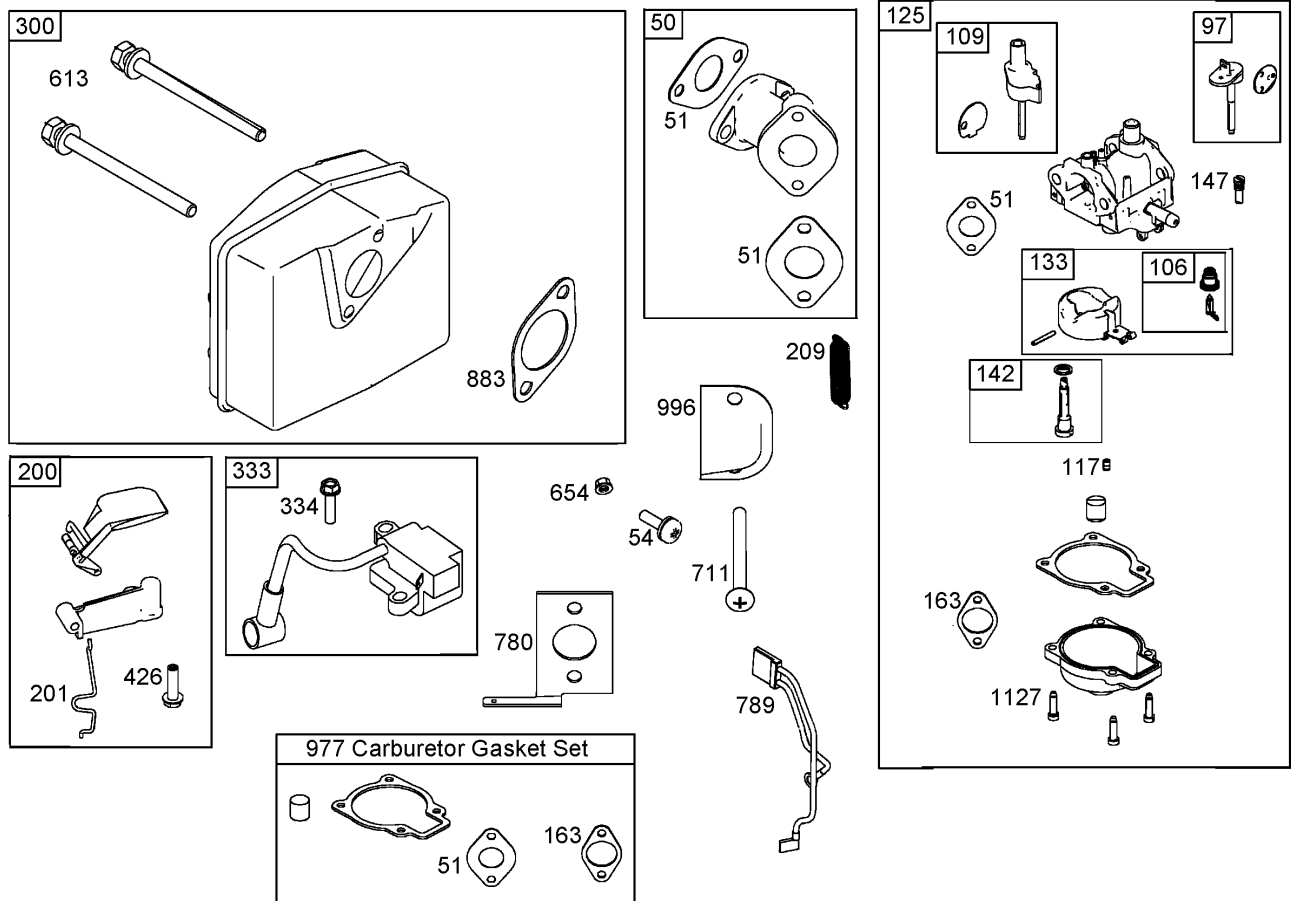
Ref	Part No.	Qty.	Description
1	95-2668	1	Handle-Upper W/Decal
1:1	94-2577	1	Decal-Rotor Drive
2	71-5120-03	1	Bail ASM
3	71-5530	1	Cover-Spring
4	71-5480	1	Spring-Clutch
5	55-9380	1	Adjuster-Cable
6	2412-91	1	Clamp
7	98-2266	2	Lock-Handle
8	94-9922	1	Cable-Clutch
9	61-8640	2	Screw
10	3-7501	1	Washer
11	322-17	2	Screw-HH
12	322-3	2	Screw-HH
13	3296-29	4	Nut-Lock, NI
14	105-1961	2	Spacer
15	3256-68	2	Washer-Flat
16	55-9121-03	1	Handle-Lower
17	75-9130	2	Washer-Curved
18	106-4161	2	Knob-Handle
19	3256-22	1	Washer-Flat



Cylinder, Piston, and Connecting Rod Assemblies Briggs and Stratton 084132-0120-E1

Ref	Part No.	Qty.	Description
1	801260	1	Cylinder ASM
3	801262	1	Seal-Oil
5	801283	1	Head-Cylinder
7	801263	1	Gasket-Head, Cylinder
13	801264	1	Screw (Cylinder Head)
14	801265	1	Stud (Cylinder Head)
16	801220	1	Crankshaft
20	801261	1	Seal-Oil
22	801266	1	Screw (Crankcase Cover And Sump)
22A	801271	1	Screw (Crankcase Cover And Sump)
24	801234	1	Key-Flywheel
25	801279	1	Piston ASM
26	801280	1	Ring Set
27	801275	1	Lock-Pin, Piston
28	801276	1	Pin-Piston
29	801277	1	Rod-Connecting
32	801278	1	Screw
48	801284	1	Short Block
337	801254	1	Plug-Spark
718	690959	1	Pin-Locating
1051	801274	1	Ring-Retaining
1036	801294	1	Label-Emissions

Ref	Part No.	Qty.	Description
1401	801290	1	Roller-Strip



Muffler, Carburetor, and Intake Manifold Assemblies Briggs and Stratton 084132-0120-E1

Ref	Part No.	Qty.	Description
●50	801232	1	Manifold-Intake
●51	801224	1	Gasket-Intake
●54	801230	1	Screw (Intake Manifold)
●97	801306	1	Shaft-Throttle
●106	801317	1	Seat-Inlet
●109	801307	1	Shaft-Choke
●117	801310	1	Jet-Main
●125	801233	1	Carburetor
●133	801316	1	Float-Carburetor
●142	801313	1	Nozzle-Carburetor
●147	801308	1	Jet-Pilot
●163	801227	1	Gasket-Cleaner, Air
●200	801289	1	Blade-Governor
●201	801225	1	Link-Vane, Air
●209	801223	1	Spring-Governor
●300	801250	1	Muffler
●333	801268	1	Armature-Magneto
●334	801267	1	Screw
●426	801231	1	Screw
●613	801251	1	Screw
●654	801324	1	Nut (Intake Manifold) (Used Before Engine Code Date 05042600)
●711	801229	1	Screw

Ref	Part No.	Qty.	Description
●780	801228	1	Anchor-Spring
●789	801253	1	Wire ASM
●883	801252	1	Gasket-Exhaust
●977	801312	1	Gasket Set-Carburetor
●996	801226	1	Shield-Carburetor
●1127	801318	1	Screw

NOTES

NOTES

