



Snow Commander® Snowthrower

Model No. 38601 - 240000001 and up.

Parts Catalog

Ordering Replacement Parts

To order replacement parts, please supply the part number, the quantity, and the description of each part desired.

Understanding Reference Numbers

Each identified part in an illustration has a reference number. The reference number for a part also appears in the parts list, along with other information about the part.

This catalog uses two special reference number formats, one to indicate parts in a service assembly and another to indicate the quantity of a given part in an illustration.

Service Assembly Reference Numbers

Parts in service assemblies have reference numbers in the form a:b. The a represents the reference number of the entire service assembly and the b represents a sequential number unique to each part within the service assembly.

For example, a wheel assembly might be identified by reference number 6, the tire by 6:1, the valve by 6:2, and the wheel by 6:3. When you order the assembly identified by reference number 6, you receive all parts identified by reference numbers 6:1, 6:2, and 6:3. However, you may also order any part individually. Reference numbers of this type appear in illustrations and in part lists.

Reference Numbers Indicating Quantity

In an illustration, if a reference number indicates more than one part, the reference number has the form nX y. The n represents the quantity of the part, the X is the multiplication symbol, and the y represents the reference number.

For example, in an illustration, the reference number 2X 37 means that two of the parts identified by reference number 37 are indicated.

Contents

Description	Page	Description	Page
Upper Housing and Side Plate Assembly 3	Upper Handle Assembly 10
Lower Housing Assembly 4	Lower Handle Assembly 11
Impeller Drive Assembly 5	Crankcase, Crankshaft, Cylinder Head, and	
Chute Assembly 6	Connecting Rod Assemblies Briggs and 12
Impeller Assembly 7	Stratton 084332-0130-E1	
Engine and Frame Assembly 8	Intake Manifold, Carburetor, and Muffler	
Upper Shroud and Control Panel Assembly 9	Assemblies Briggs and Stratton 084332-0130- E1 13
		Flywheel, Blower Housing, and Starter	
		Assemblies Briggs and Stratton 084332-0130- E1 14

Part Description Abbreviations

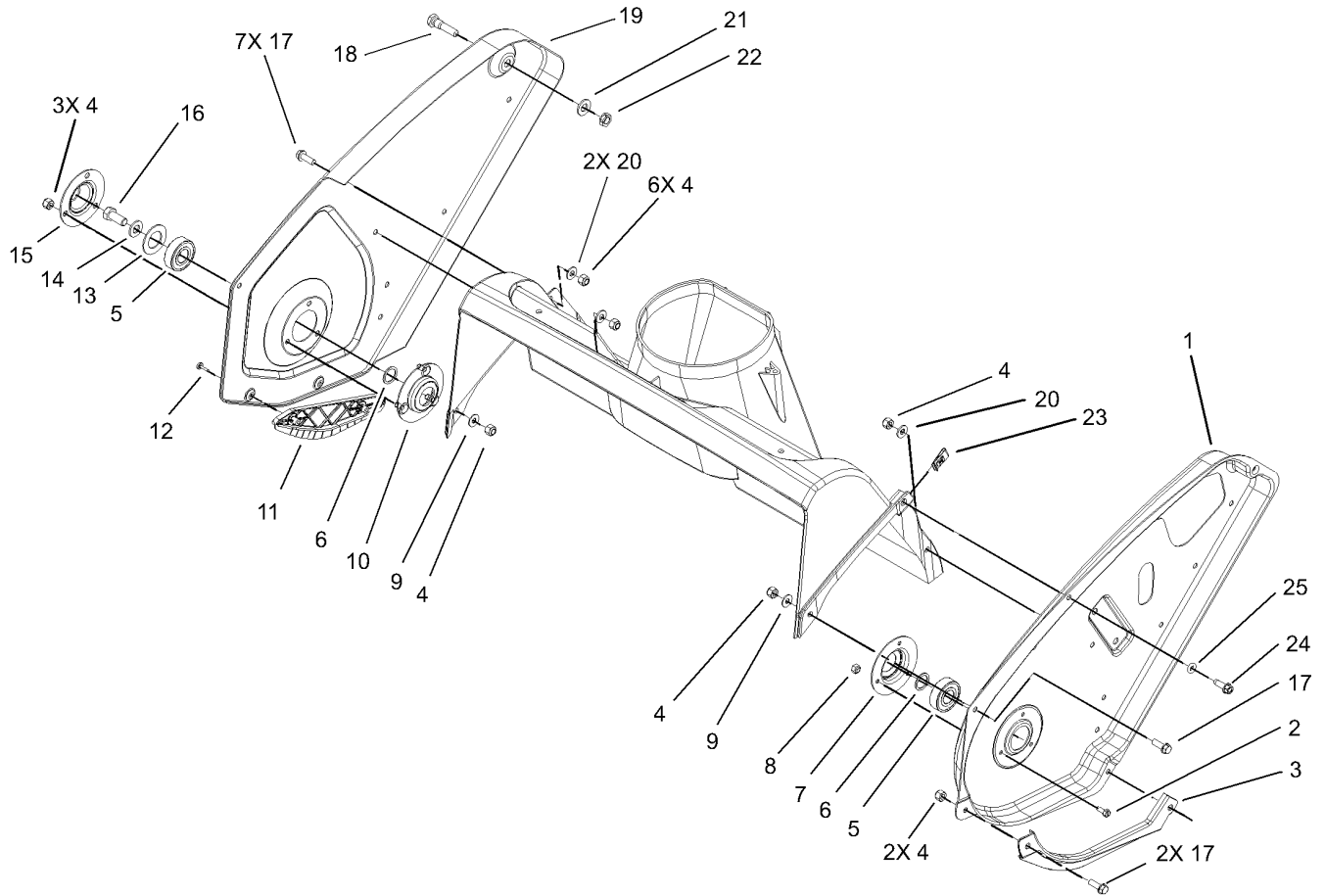
Part descriptions in this catalog may include the following abbreviations.

AR. as required	INC. incorporated
ASM. assembly	LH. left hand
BBC. blade brake clutch	NI. nylon insert
CARR. carriage	NPTF. national pipe thread fine
DEG. degrees	PFH. phillips flat head
EXT. external	PPH. phillips pan head
FH. flat head	PPHTF. phillips pan head thread forming
GA. gauge	PRH. phillips round head
HF. hex flange	PTH. phillips truss head
HH. hex head	PTO. power-take-off
HHF. hex head flange	RH. right hand
HHFTF. hex head flange thread forming	ROPS. roll-over-protection-system
HJ. hex jam	SFH. slotted fillister head
HLH. hex lag head	SHH. slotted hex head
HOC. height-of-cut	SHWH. slotted hex washer head
HSBH. hex socket button head	SPH. slotted pan head
HSFH. hex socket flat head	SQH. square head
HSH. hex socket head	SRH. slotted round head
HWH. hex washer head	STD. standard
HWHTF. hex washer head thread forming	TAP. self tapping
HYD. hydraulic	TTH. torx truss head

Footnotes

❶ Not serviced separately

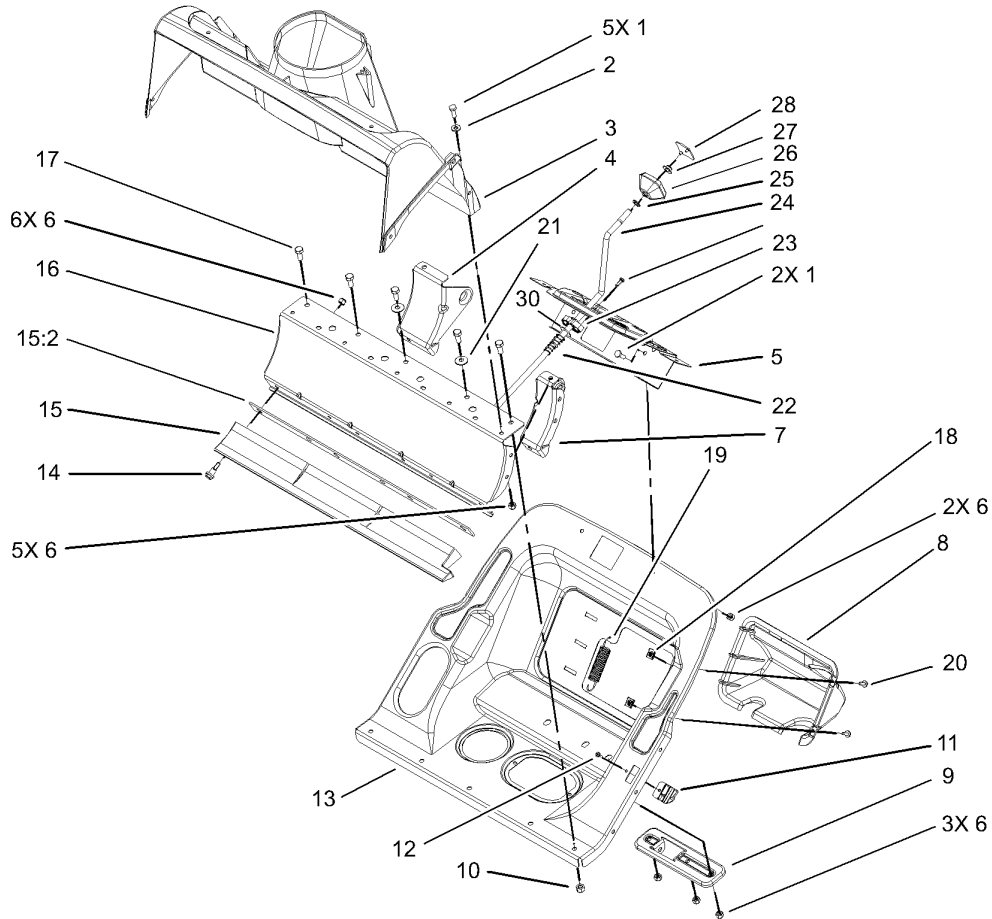
❷ Obtain from your local Briggs & Stratton dealer



Upper Housing and Side Plate Assembly

Ref	Part No.	Qty.	Description
1	100-9865-03	1	Sideplate-LH
2	32105-8	3	Screw-SHH
3	104-0871	1	Guard-Rotor, LH
4	3296-42	14	Nut-Lock, NI
5	100-1048	2	Bearing-Ball
6	52-7280	2	Washer-Thrust
7	38-8620	1	Flange-Bearing
8	3296-2	3	Nut-Lock
9	3256-1	2	Washer-Flat
10	52-9110	1	Flange-Bearing
11	104-0872	1	Guard-Rotor, RH
12	95-4234	2	Screw-PPH
13	52-7270	1	Washer-Rubber
14	3256-24	1	Washer-Flat
15	52-7290-03	1	Retainer-Bearing
16	3234-25	1	Screw-HHF
17	32105-15	10	Screw
18	38-8211	1	Pin-Rotor
19	100-9870-03	1	Sideplate-RH
20	3256-22	3	Washer-Flat
21	3256-24	1	Washer-Flat
22	32152-8	1	Nut-Lock, Cone
23	702552	1	Nut-Speed
24	49-2040	1	Screw-HWHTF

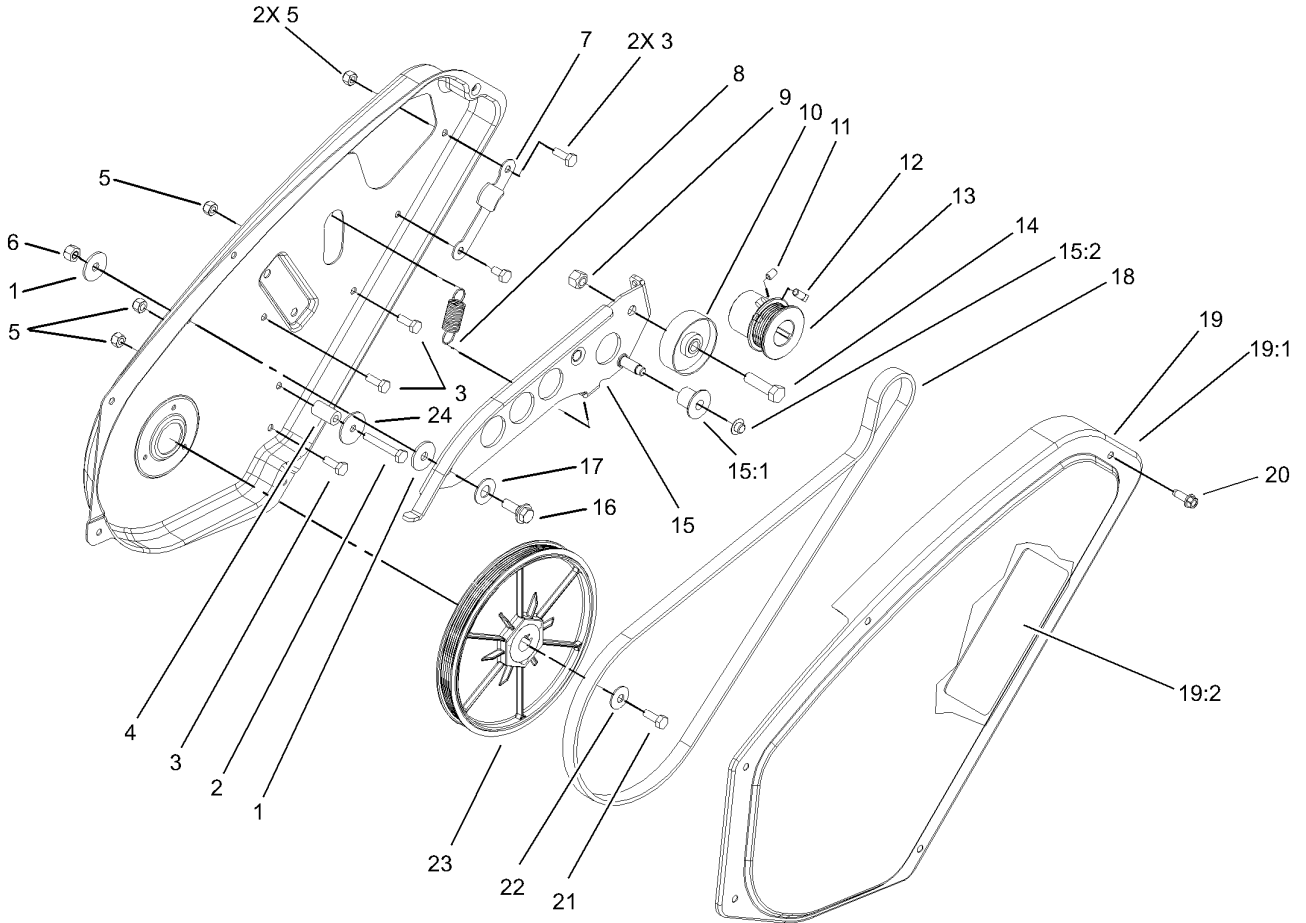
Ref	Part No.	Qty.	Description
25	104-8657	1	O-Ring



Lower Housing Assembly

Ref	Part No.	Qty.	Description
1	321-4	7	Screw-HH
2	3256-22	5	Washer-Flat
3	100-9894	1	Housing-Rotor, Upper
4	104-0865	1	Bracket-Pivot, RH
5	104-0887-03	1	Control Panel Support ASM
6	3296-42	16	Nut-Lock, NI
7	104-0864	1	Bracket-Pivot, LH
8	104-8663	1	Cover-Carb Ce
9	100-9897	1	Bracket-Pivot, Center
10	3296-29	5	Nut-Lock, NI
11	104-0880	1	Guide-Cable, Clutch
12	95-4234	1	Screw-PPH
13	105-3514-03	1	Housing-Lower
14	104-0858	6	Bolt-Shoulder
15	104-4138	1	Scraper ASM
15:2	104-0879	1	Foam-Scraper
16	100-9893-03	1	Housing-Rotor, Lower
17	322-3	5	Screw-HH
18	100-9889	2	Nut-Speed
19	104-4130	1	Spring-Extension, Pivot
20	32144-112	2	Screw-HWH
21	3290-456	2	Washer-Belleville
22	104-8664	1	Spring-Compression
23	104-8659	1	Bushing-Chute Crank

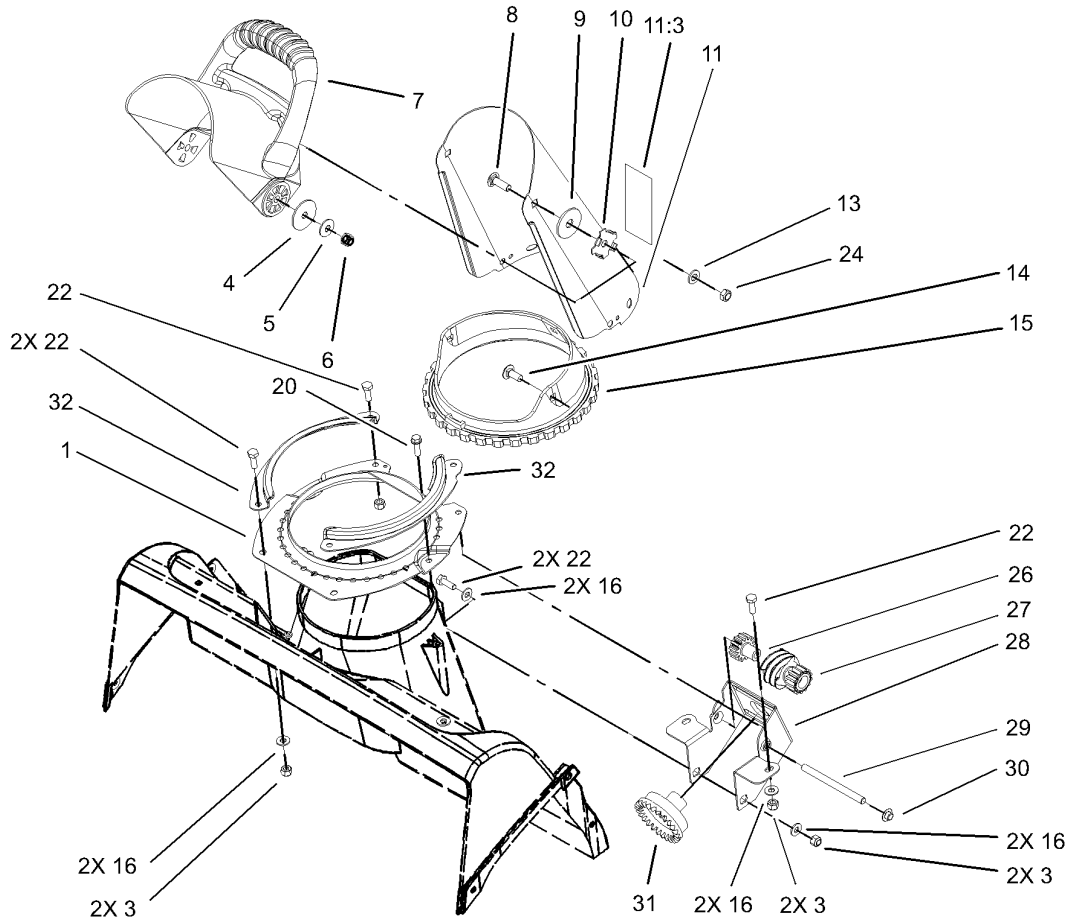
Ref	Part No.	Qty.	Description
24	104-8658	1	Rod-Chute Crank
25	104-8665	1	Washer-Chute Crank
26	62-1320	1	Knob-Control, Chute
27	3290-320	1	Retainer-Push On
28	62-1520	1	Cover-Knob
30	105-3540	1	Washer



Impeller Drive Assembly

Ref	Part No.	Qty.	Description
1	5-4460	2	Washer-Pivot
2	321-10	1	Screw-HH
3	321-4	5	Screw-HH
4	55-9530	1	Sleeve-Guide, Belt
5	3296-42	5	Nut-Lock, NI
6	3296-29	1	Nut-Lock, NI
7	104-0868	1	Belt-Guide
8	104-0869	1	Spring-Brake
9	32152-2	1	Nut-Lock, Cone
10	55-9290	1	Pulley-Idler
11	3245-41	1	Screw-HSH
12	3241-7	1	Screw-SQH
13	104-4108	1	Pulley
14	323-29	1	Screw-HH
15	104-4113	1	Brake-Arm
15:1	104-4114	1	Roller-Brake
15:2	32112-11	1	Nut-Push
16	27-0410	1	Screw-Shoulder
17	25-5640	1	Washer
18	104-0851	1	Belt-Drive
19	104-8669	1	Cover-Drive W/Decal Ce
19:1	94-2561	1	Decal-Hot
19:2	104-4125	1	Decal-Belt Routing
20	49-2040	1	Screw-HWHTF

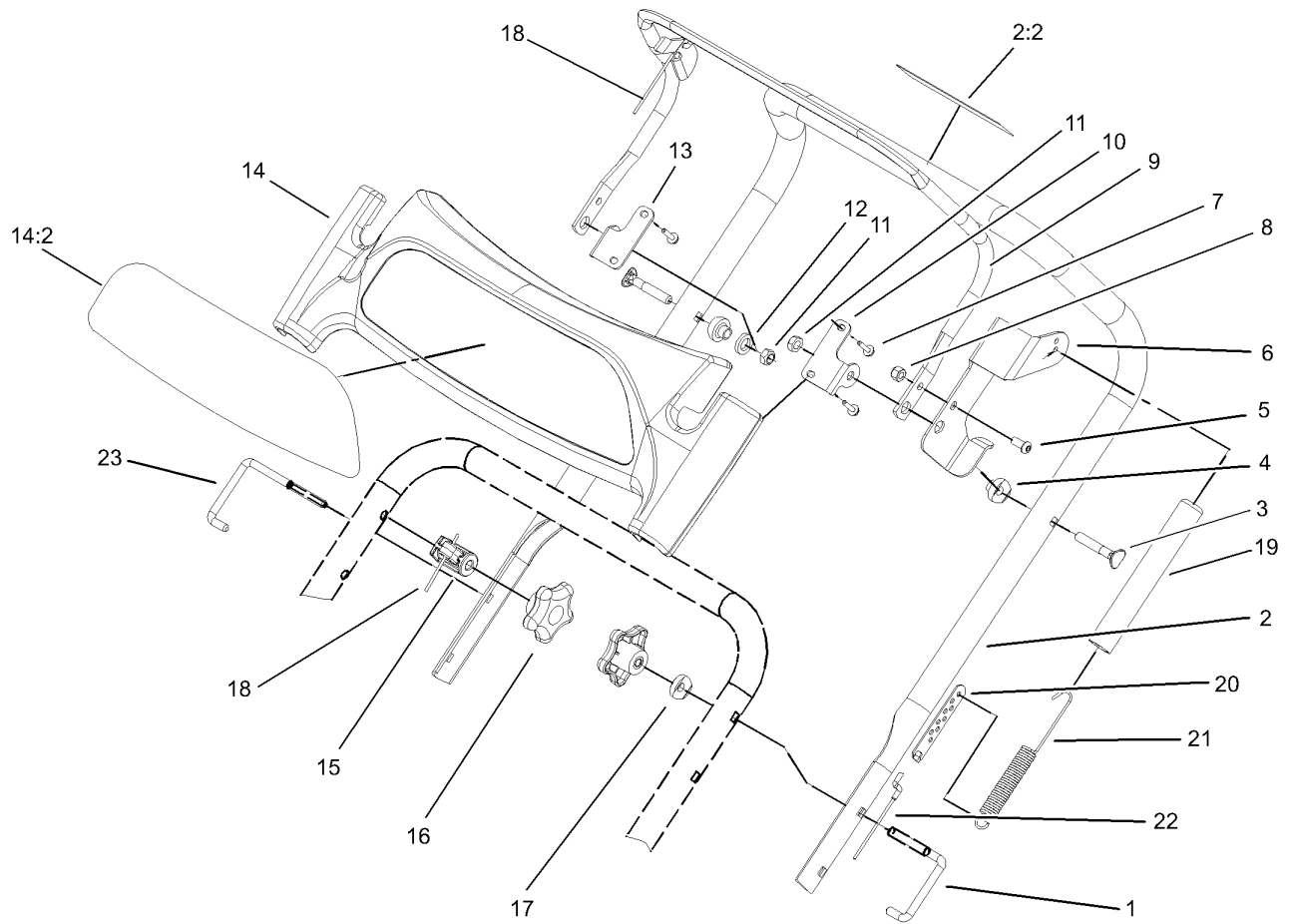
Ref	Part No.	Qty.	Description
21	321-30	1	Screw-HH
22	3290-456	1	Washer-Belleville
23	100-9871	1	Pulley-Rotor
24	3256-55	1	Washer-Flat



Chute Assembly

Ref	Part No.	Qty.	Description
1	55-8921-03	1	Ring-Support, Chute
3	3296-42	6	Nut-Lock, NI
4	3256-68	2	Washer-Flat
5	3290-456	2	Washer-Belleville
6	3296-29	2	Nut-Lock, NI
7	104-0882	1	Chute-Deflector
8	3230-22	2	Screw-CARR
9	20-4320	2	Washer-Rubber
10	55-8950	2	Plate-Friction
11	94-2791	1	Chute ASM W/Decal
11:3	94-2901	1	Decal-Danger
13	3256-70	3	Washer-Flat
14	100-5486	3	Screw-Truss Hd, Phillips
15	55-8720	1	Ring-Gear, Chute
16	3256-22	8	Washer-Flat
20	46-8091	2	Screw-HWH
22	321-4	6	Screw-HH
24	3296-47	3	Nut-Lock, NI
26	55-8750	1	Gear-Spur, Spacer
27	105-3512	1	Gear-Spur/Worm
28	104-8660-03	1	Bracket-Chute Gears
29	55-9150	1	Shaft-Gear, Worm
30	32112-11	2	Nut-Push
31	55-8740	1	Gear-Face

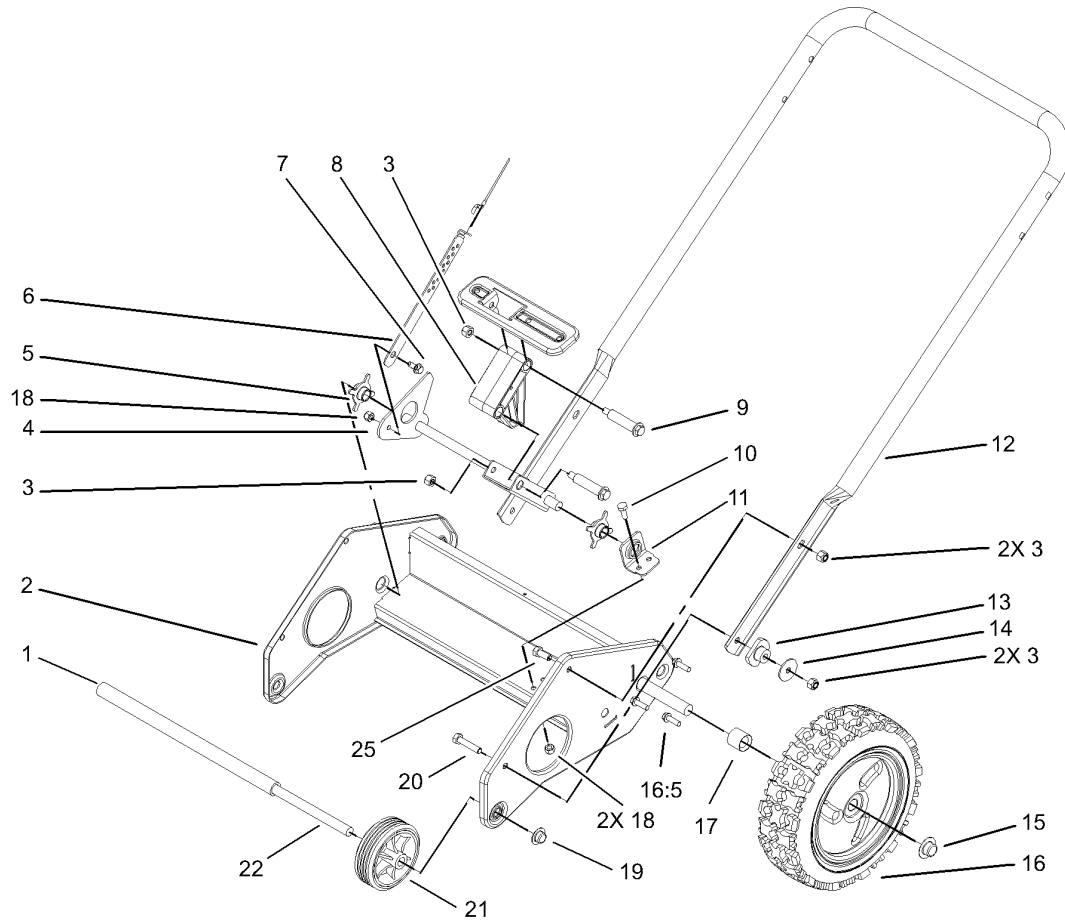
Ref	Part No.	Qty.	Description
32	55-8910-03	2	Ring-Retainer, Chute



Upper Handle Assembly

Ref	Part No.	Qty.	Description
1	98-2266	1	Lock-Handle
2	105-1991	1	Handle-Upper W/Decal
2:2	94-2577	1	Decal-Rotor Drive
3	92-2260	2	Screw-Handle
4	55-9340	2	Spacer-Bar, Control
5	3274-31	1	Screw-HSBH
6	100-9882-03	1	Arm-Clutch, Handle
7	98-1375	4	Screw-HWH
8	3296-42	1	Nut-Lock, NI
9	104-4104-03	1	Bar-Control
10	104-4100	1	Bracket-Panel, LH
11	3296-47	2	Nut-Lock, NI
12	55-9670	1	Washer
13	104-4101	1	Bracket-Panel, RH
14	106-4737	1	Display Handle Panel ASM
14:2	106-4716	1	Decal-Handle Display
15	100-9868	1	Guide-Pivot Cable
16	106-4161	2	Knob-Handle
17	75-9130	1	Washer-Curved
18	104-0895	1	Cable-Pivot
19	104-4145	1	Cover-Spring
20	71-5330	1	Adjuster-Cable, Clutch
21	104-0894	1	Spring-Cable
22	104-0896	1	Cable-Clutch

Ref	Part No.	Qty.	Description
23	104-4126	1	Lock-Handle, RH



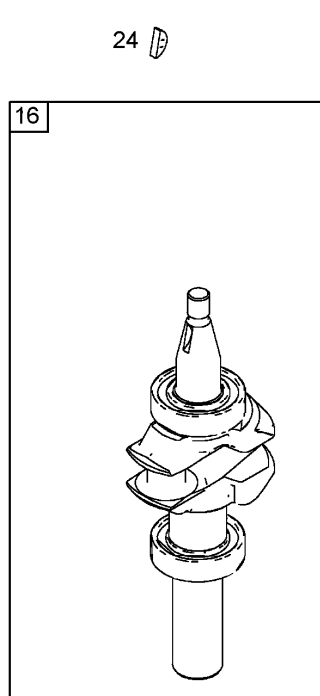
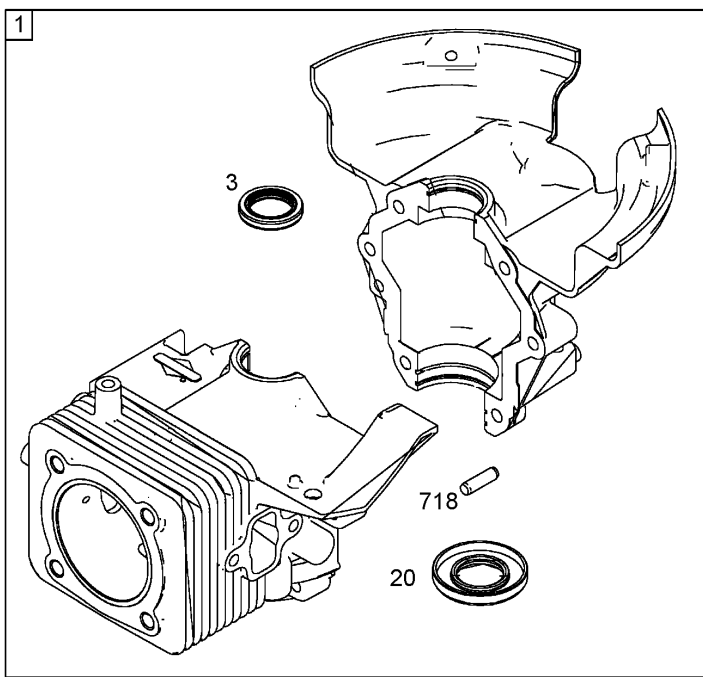
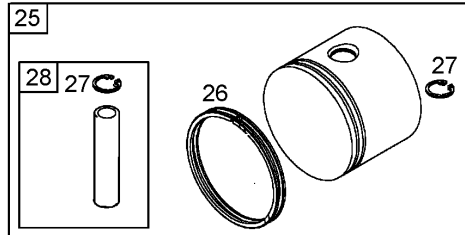
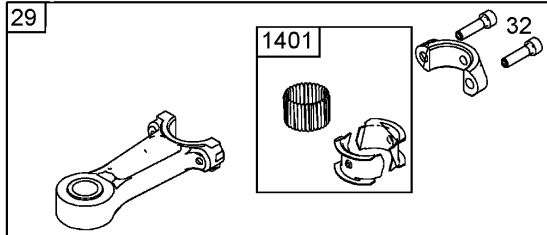
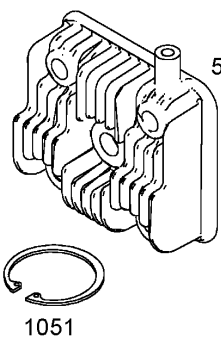
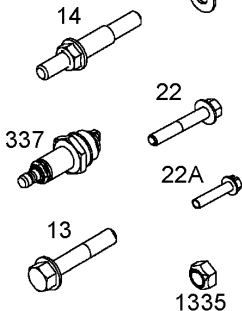
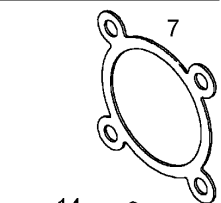
Lower Handle Assembly

Ref	Part No.	Qty.	Description
1	100-9878	1	Spacer-Plastic
2	100-9887-03	1	Wheelframe ASM
3	3296-29	6	Nut-Lock, NI
4	104-0853	1	Pivot ASM
5	104-0855	2	Bushing-Rod, Pivot
6	104-0899	1	Adjuster-Cable, Pivot
7	104-4102	1	Screw-Shoulder
8	100-9896	1	Block-Pivot
9	100-9880	2	Bolt-Shoulder
10	321-4	2	Screw-HH
11	100-9879	1	Support-Rod, Pivot
12	100-9890-03	1	Handle-Lower
13	100-9883	2	Bushing-Pivot
14	3256-57	2	Washer-Flat
15	104-4111	2	Nut-Push
16	105-3549	2	Wheel ASM
16:5	46-8091	3	Screw-HWH
17	104-0892	2	Spacer-Axle, Rear
18	3296-42	3	Nut-Lock, NI
19	32112-14	2	Nut-Push
20	322-7	2	Screw-HH
21	100-9864	2	Tire And Wheel ASM
22	100-9875	1	Axle-Front
25	322-3	2	Screw-HH

--	--	--	--

1036 EMISSIONS LABEL

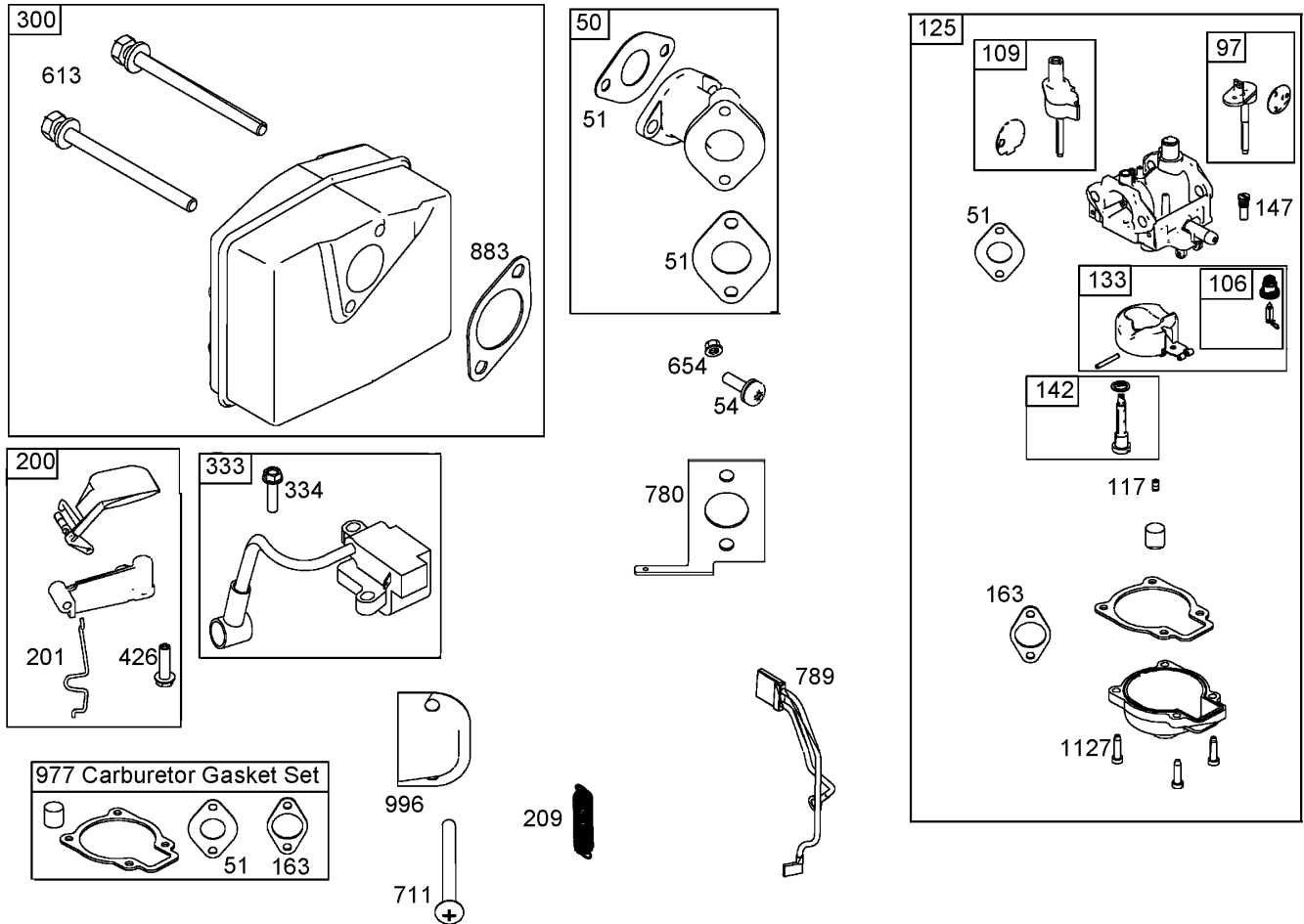
48 Short Block



Crankcase, Crankshaft, Cylinder Head, and Connecting Rod Assemblies Briggs and Stratton 084332-0130-E1

Ref	Part No.	Qty.	Description
①	801273	1	Cylinder ASM
③	801262	1	Seal-Oil
⑤	801283	1	Head-Cylinder
⑦	801263	1	Gasket-Head, Cylinder
⑬	801264	1	Screw (Cylinder Head)
⑭	801265	1	Stud (Cylinder Head)
⑮	801221	1	Crankshaft
⑳	801261	1	Seal-Oil
㉒	801266	1	Screw (Crankcase Cover And Sump)
㉒A	801271	1	Screw (Crankcase Cover And Sump)
㉔	801234	1	Key-Flywheel
㉕	801281	1	Piston ASM
㉖	801282	1	Ring Set
㉗	801275	1	Lock-Pin, Piston
㉘	801276	1	Pin-Piston
㉙	801277	1	Rod-Connecting
㉚	801278	1	Screw
④8	801286	1	Short Block
④337	801254	1	Plug-Spark
⑦18	690959	1	Pin-Locating
⑩36	801295	1	Label-Emissions
⑩51	801274	1	Ring-Retaining

Ref	Part No.	Qty.	Description
⑬335	801269	1	Nut (Blower Housing)
⑬401	801290	1	Roller-Strip



Intake Manifold, Carburetor, and Muffler Assemblies Briggs and Stratton 084332-0130-E1

Ref	Part No.	Qty.	Description
●50	801232	1	Manifold-Intake
●51	801224	1	Gasket-Intake
●54	801230	1	Screw (Intake Manifold)
●97	801306	1	Shaft-Throttle
●106	801317	1	Seat-Inlet
●109	801307	1	Shaft-Choke
●117	801311	1	Jet-Main
●125	801255	1	Carburetor
●133	801316	1	Float-Carburetor
●142	801313	1	Nozzle-Carburetor
●147	801309	1	Jet-Pilot
●163	801227	1	Gasket-Cleaner, Air
●200	801289	1	Blade-Governor
●201	801225	1	Link-Vane, Air
●209	801223	1	Spring-Governor
●300	801250	1	Muffler
●333	801268	1	Armature-Magneto
●334	801267	1	Screw
●426	801231	1	Screw
●613	801251	1	Screw
●654	801324	1	Nut (Intake Manifold) (Used Before Engine Code Date 05042600)
●711	801229	1	Screw

Ref	Part No.	Qty.	Description
●780	801228	1	Anchor-Spring
●789	801253	1	Wire ASM
●883	801252	1	Gasket-Exhaust
●977	801312	1	Gasket Set-Carburetor
●996	801226	1	Shield-Carburetor
●1127	801318	1	Screw

NOTES

