



## CCR™ 2450 GTS® Snowthrower

Model No. 38536 - 250000001 and up.

### Parts Catalog

---

#### Ordering Replacement Parts

To order replacement parts, please supply the part number, the quantity, and the description of each part desired.

#### Understanding Reference Numbers

Each identified part in an illustration has a reference number. The reference number for a part also appears in the parts list, along with other information about the part.

This catalog uses two special reference number formats, one to indicate parts in a service assembly and another to indicate the quantity of a given part in an illustration.

#### Service Assembly Reference Numbers

Parts in service assemblies have reference numbers in the form a:b. The a represents the reference number of the entire service assembly and the b represents a sequential number unique to each part within the service assembly.

For example, a wheel assembly might be identified by reference number 6, the tire by 6:1, the valve by 6:2, and the wheel by 6:3. When you order the assembly identified by reference number 6, you receive all parts identified by reference numbers 6:1, 6:2, and 6:3. However, you may also order any part individually. Reference numbers of this type appear in illustrations and in part lists.

#### Reference Numbers Indicating Quantity

In an illustration, if a reference number indicates more than one part, the reference number has the form nX y. The n represents the quantity of the part, the X is the multiplication symbol, and the y represents the reference number.

For example, in an illustration, the reference number 2X 37 means that two of the parts identified by reference number 37 are indicated.

# Contents

| Description                             | Page    | Description                                       | Page     |
|---|---------|---|----------|
| Housing and Side Plate Assembly         | ..... 3 | Handle Assembly                                   | ..... 10 |
| Impeller Drive Assembly                 | ..... 4 | Cylinder, Piston, and Connecting Rod              |          |
| Chute Assembly                          | ..... 5 | Assemblies Briggs and Stratton 084133-0196-<br>E1 | ..... 11 |
| Impeller Assembly                       | ..... 6 | Muffler, Carburetor, and Intake Manifold          |          |
| Engine and Frame Assembly               | ..... 7 | Assemblies Briggs and Stratton 084133-0196-<br>E1 | ..... 12 |
| Upper Shroud and Control Panel Assembly | ..... 8 | Flywheel, Blower Housing, and Starter             |          |
| Upper Shroud Assembly No. 106-4732      | ..... 9 | Assemblies Briggs and Stratton 084133-0196-<br>E1 | ..... 13 |

## Part Description Abbreviations

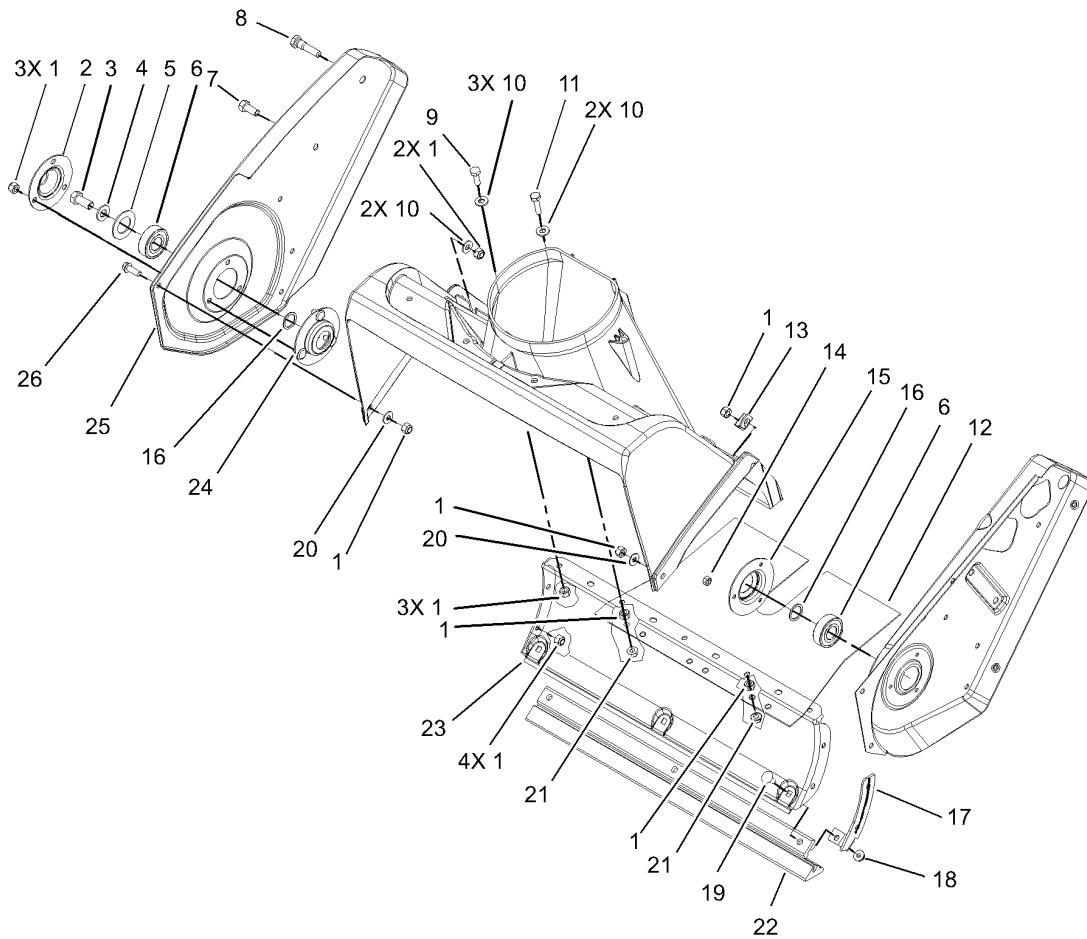
Part descriptions in this catalog may include the following abbreviations.

|   |   |
|---|---|
| AR. .... as required                          | INC. .... incorporated                          |
| ASM. .... assembly                            | LH. .... left hand                              |
| BBC. .... blade brake clutch                  | NI. .... nylon insert                           |
| CARR. .... carriage                           | NPTF. .... national pipe thread fine            |
| DEG. .... degrees                             | PFH. .... phillips flat head                    |
| EXT. .... external                            | PPH. .... phillips pan head                     |
| FH. .... flat head                            | PPHTF. .... phillips pan head thread<br>forming |
| GA. .... gauge                                | PRH. .... phillips round head                   |
| HF. .... hex flange                           | PTH. .... phillips truss head                   |
| HH. .... hex head                             | PTO. .... power-take-off                        |
| HHF. .... hex head flange                     | RH. .... right hand                             |
| HHFTF. .... hex head flange thread forming    | ROPS. .... roll-over-protection-system          |
| HJ. .... hex jam                              | SFH. .... slotted fillister head                |
| HLH. .... hex lag head                        | SHH. .... slotted hex head                      |
| HOC. .... height-of-cut                       | SHWH. .... slotted hex washer head              |
| HSBH. .... hex socket button head             | SPH. .... slotted pan head                      |
| HSFH. .... hex socket flat head               | SQH. .... square head                           |
| HSH. .... hex socket head                     | SRH. .... slotted round head                    |
| HWH. .... hex washer head                     | STD. .... standard                              |
| HWHTF. .... hex washer head thread<br>forming | TAP. .... self tapping                          |
| HYD. .... hydraulic                           | TTH. .... torx truss head                       |

## Footnotes

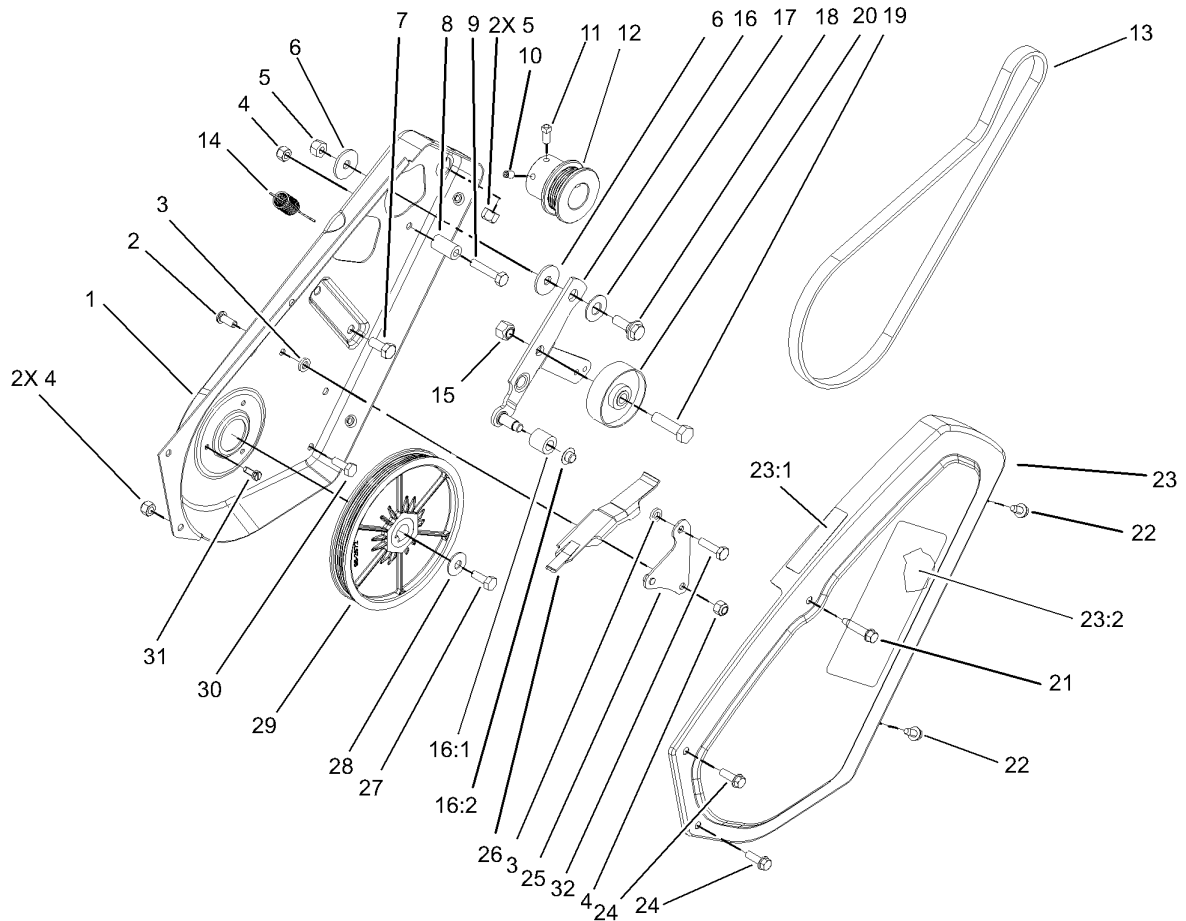
❶ Not serviced separately

❷ Obtain from your local Briggs & Stratton dealer



## Housing and Side Plate Assembly

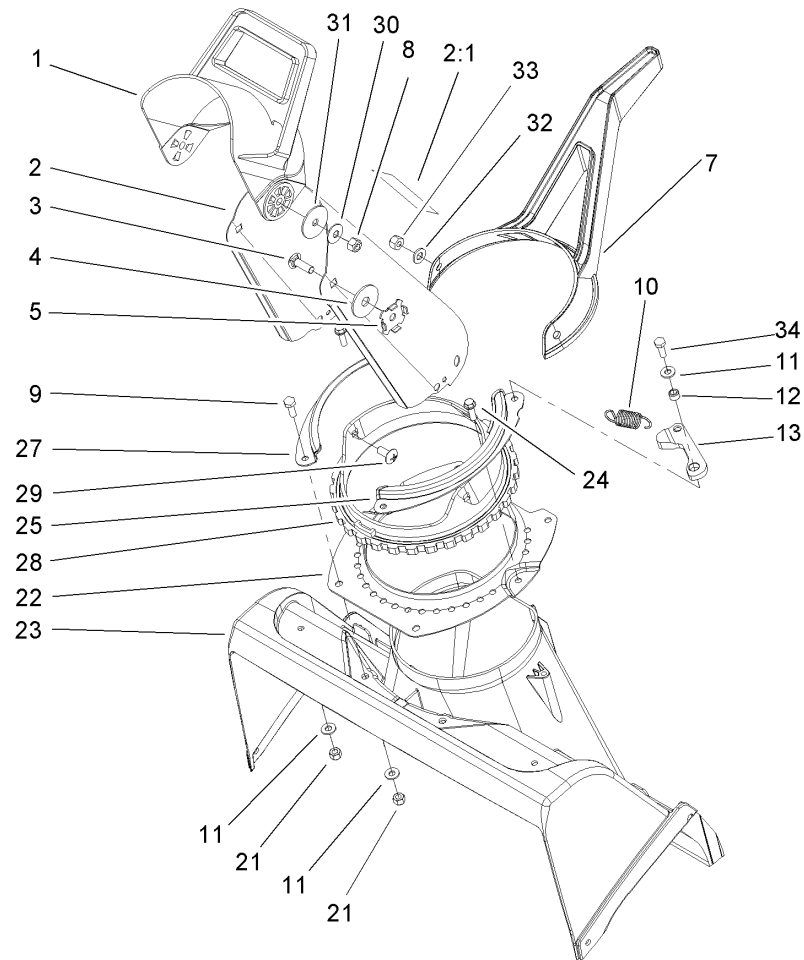
| Ref | Part No.    | Qty. | Description            | Ref | Part No.    | Qty. | Description     |
|-----|-------------|------|------------------------|-----|-------------|------|-----------------|
| 1   | 3296-42     | 17   | Nut-Lock, NI           | 25  | 105-1952-03 | 1    | Sideplate-Right |
| 2   | 52-7290-03  | 1    | Retainer-Bearing       | 26  | 32105-15    | 5    | Screw           |
| 3   | 3234-25     | 1    | Screw-HHF              |     |             |      |                 |
| 4   | 3256-24     | 1    | Washer-Flat            |     |             |      |                 |
| 5   | 52-7270     | 1    | Washer-Rubber          |     |             |      |                 |
| 6   | 100-1048    | 2    | Bearing-Ball           |     |             |      |                 |
| 7   | 322-43      | 1    | Screw-HH               |     |             |      |                 |
| 8   | 38-8211     | 1    | Pin-Rotor              |     |             |      |                 |
| 9   | 321-4       | 3    | Screw-HH               |     |             |      |                 |
| 10  | 3256-22     | 7    | Washer-Flat            |     |             |      |                 |
| 11  | 321-6       | 2    | Screw-HH               |     |             |      |                 |
| 12  | 55-9512     | 1    | Cover-Bottom           |     |             |      |                 |
| 13  | 55-9430     | 1    | Bracket-Housing        |     |             |      |                 |
| 14  | 3296-2      | 3    | Nut-Lock               |     |             |      |                 |
| 15  | 38-8620     | 1    | Flange-Bearing         |     |             |      |                 |
| 16  | 52-7280     | 2    | Washer-Thrust          |     |             |      |                 |
| 17  | 56-2610     | 1    | Bracket-Housing, Lower |     |             |      |                 |
| 18  | 32149-2     | 3    | Nut-Keps               |     |             |      |                 |
| 19  | 3229-11     | 3    | Screw-CARR             |     |             |      |                 |
| 20  | 3256-1      | 2    | Washer-Flat            |     |             |      |                 |
| 21  | 32128-10    | 2    | Nut-Lock, HHF          |     |             |      |                 |
| 22  | 55-8760     | 1    | Scraper                |     |             |      |                 |
| 23  | 105-1967-03 | 1    | Housing-Lower          |     |             |      |                 |
| 24  | 52-9110     | 1    | Flange-Bearing         |     |             |      |                 |



## Impeller Drive Assembly

| Ref  | Part No.   | Qty. | Description         |
|------|------------|------|---------------------|
| 1    | 55-8851-03 | 1    | Plate-Side, LH      |
| 2    | 3274-31    | 1    | Screw-HSBH          |
| 3    | 55-9620    | 2    | Spacer-Plate, Pivot |
| 4    | 3296-42    | 4    | Nut-Lock, NI        |
| 5    | 3296-29    | 3    | Nut-Lock, NI        |
| 6    | 5-4460     | 2    | Washer-Pivot        |
| 7    | 322-3      | 2    | Screw-HH            |
| 8    | 55-9530    | 1    | Sleeve-Guide, Belt  |
| 9    | 321-13     | 1    | Screw-HH            |
| 10   | 3245-41    | 1    | Screw-HSH           |
| 11   | 3241-7     | 1    | Screw-SQH           |
| 12   | 95-2673    | 1    | Pulley-Engine       |
| 13   | 95-6151    | 1    | Belt-Drive          |
| 14   | 55-9280    | 1    | Spring-Extension    |
| 15   | 32152-2    | 1    | Nut-Lock, Cone      |
| 16   | 105-3542   | 1    | Idler Arm ASM       |
| 16:1 | 55-9520    | 1    | Roller-Brake        |
| 16:2 | 32112-11   | 1    | Nut-Push            |
| 17   | 25-5640    | 1    | Washer              |
| 18   | 27-0410    | 1    | Screw-Shoulder      |
| 19   | 323-29     | 1    | Screw-HH            |
| 20   | 55-9290    | 1    | Pulley-Idler        |
| 21   | 36-3860    | 1    | Screw-HWH, TAP      |
| 22   | 12-3270    | 2    | Screw               |

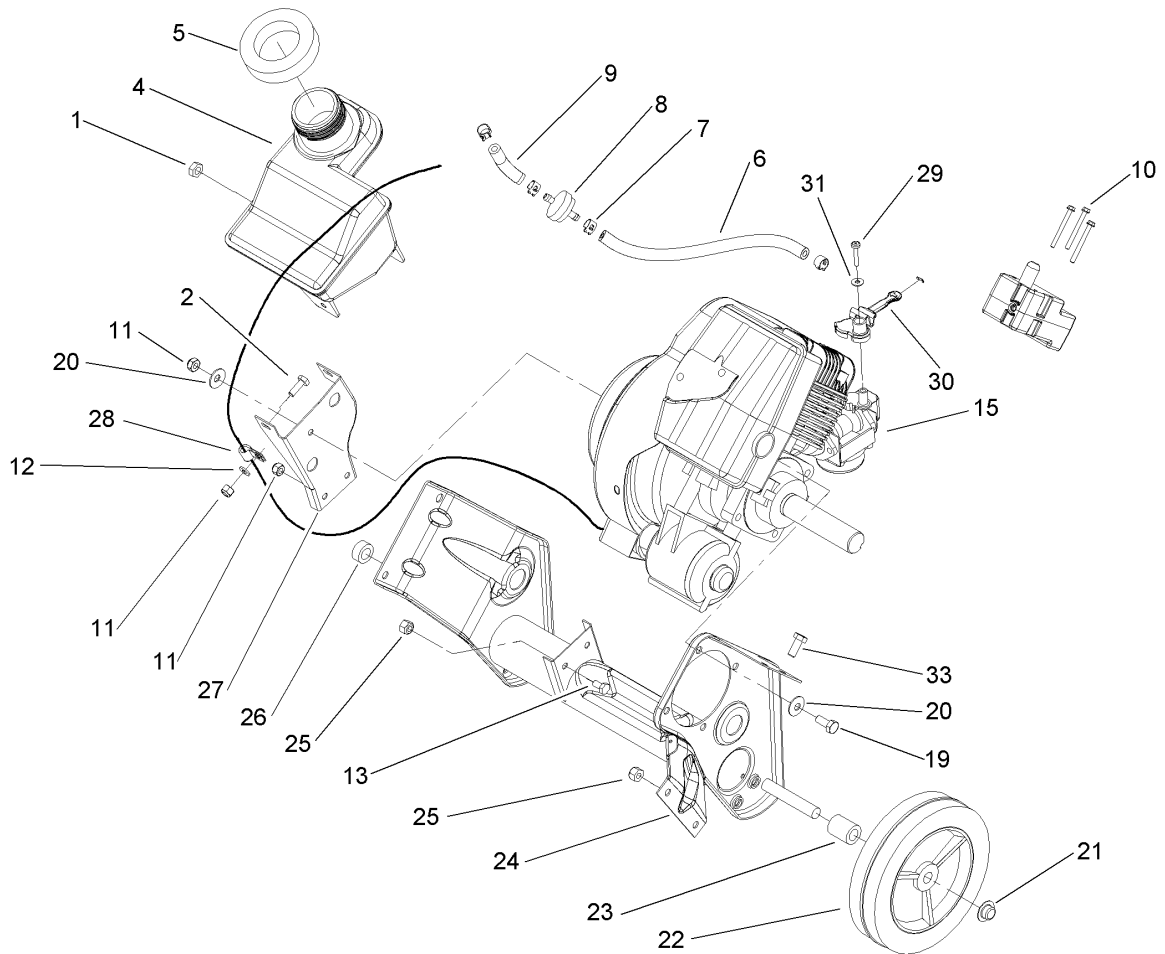
| Ref  | Part No. | Qty. | Description            |
|------|----------|------|------------------------|
| 23   | 105-1998 | 1    | Drive-Cover W/Decal Ce |
| 23:1 | 94-2561  | 1    | Decal-Hot              |
| 23:2 | 60-9480  | 1    | Decal                  |
| 24   | 32105-15 | 2    | Screw                  |
| 25   | 55-9570  | 1    | Pivot Plate ASM        |
| 26   | 55-9550  | 1    | Brake-Arm              |
| 27   | 321-30   | 1    | Screw-HH               |
| 28   | 3290-456 | 1    | Washer-Belleville      |
| 29   | 95-2672  | 1    | Pulley Rotor ASM       |
| 30   | 321-4    | 2    | Screw-HH               |
| 31   | 32105-8  | 3    | Screw-SHH              |
| 32   | 321-6    | 1    | Screw-HH               |



## Chute Assembly

| Ref | Part No.   | Qty. | Description           | Ref | Part No. | Qty. | Description  |
|-----|------------|------|-----------------------|-----|----------|------|--------------|
| 1   | 56-2680    | 1    | Chute-Deflector       | 33  | 3296-47  | 3    | Nut-Lock, NI |
| 2   | 94-2791    | 1    | Chute ASM W/Decal     | 34  | 321-6    | 1    | Screw-HH     |
| 2:1 | 94-2901    | 1    | Decal-Danger          |     |          |      |              |
| 3   | 3230-22    | 2    | Screw-CARR            |     |          |      |              |
| 4   | 20-4320    | 2    | Washer-Rubber         |     |          |      |              |
| 5   | 55-8950    | 2    | Plate-Friction        |     |          |      |              |
| 7   | 94-9914    | 1    | Handle-Control, Chute |     |          |      |              |
| 8   | 3296-29    | 2    | Nut-Lock, NI          |     |          |      |              |
| 9   | 321-4      | 3    | Screw-HH              |     |          |      |              |
| 10  | 80-4600    | 1    | Spring-Extension      |     |          |      |              |
| 11  | 3256-22    | 5    | Washer-Flat           |     |          |      |              |
| 12  | 55-9370    | 1    | Spacer-Blade, Rotor   |     |          |      |              |
| 13  | 80-4610    | 1    | Detent                |     |          |      |              |
| 21  | 3296-42    | 6    | Nut-Lock, NI          |     |          |      |              |
| 22  | 55-8921-03 | 1    | Ring-Support, Chute   |     |          |      |              |
| 23  | 105-1950   | 1    | Housing-Rotor, Upper  |     |          |      |              |
| 24  | 46-8091    | 2    | Screw-HWH             |     |          |      |              |
| 25  | 71-4980-03 | 1    | Retainer-Chute, LH    |     |          |      |              |
| 27  | 71-4990-03 | 1    | Retainer-Chute, RH    |     |          |      |              |
| 28  | 104-2763   | 1    | Ring-Chute            |     |          |      |              |
| 29  | 100-5487   | 3    | Screw-PTH             |     |          |      |              |
| 30  | 3290-456   | 2    | Washer-Belleville     |     |          |      |              |
| 31  | 3256-68    | 2    | Washer-Flat           |     |          |      |              |
| 32  | 3256-70    | 3    | Washer-Flat           |     |          |      |              |

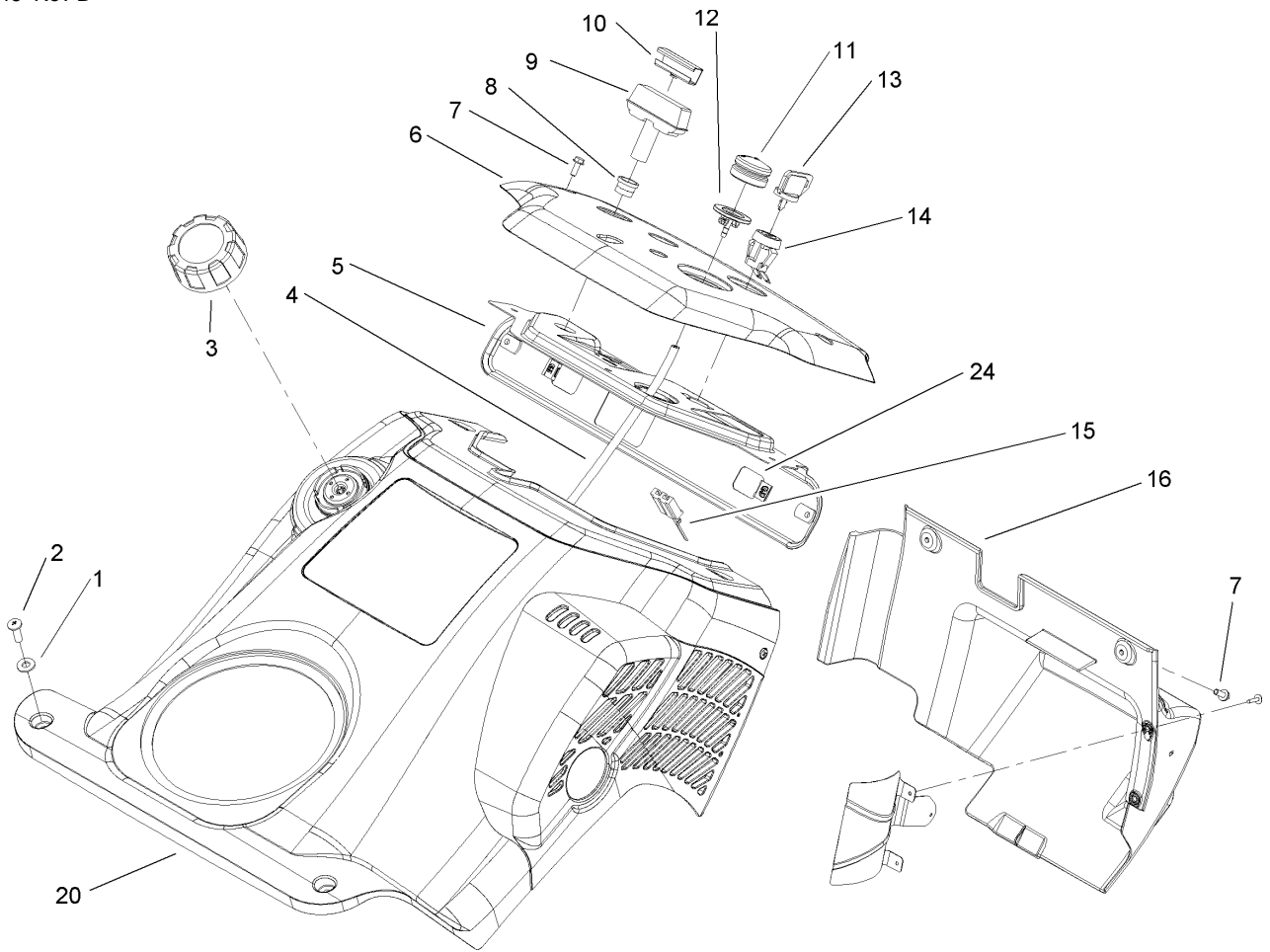




## Engine and Frame Assembly

| Ref | Part No.    | Qty. | Description                                   |
|-----|-------------|------|---|
| 1   | 32152-8     | 1    | Nut-Lock, Cone                                |
| 2   | 321-4       | 2    | Screw-HH                                      |
| 4   | 105-8952    | 1    | Tank-Gas                                      |
| 5   | 55-9310     | 1    | Seal-Foam                                     |
| 6   | 49-2482     | 1    | Line-Fuel                                     |
| 7   | 2412-98     | 4    | Clamp   |
| 8   | 56-6360     | 1    | Filter-Fuel                                   |
| 9   | 94-9932     | 1    | Hose-Fuel                                     |
| 10  | 32144-27    | 3    | Screw   |
| 11  | 3296-42     | 5    | Nut-Lock, NI                                  |
| 12  | 3256-22     | 2    | Washer-Flat                                   |
| 13  | 321-2       | 2    | Screw-HH                                      |
| 15  |             | 1    | Engine-Briggs And Stratton,<br>084133-0196-E1 |
| 19  | 322-3       | 4    | Screw-HH                                      |
| 20  | 3290-456    | 5    | Washer-Belleville                             |
| 21  | 32112-14    | 2    | Nut-Push                                      |
| 22  | 66-6510     | 2    | Wheel   |
| 23  | 66-6501     | 1    | Spacer-Wheel                                  |
| 24  | 105-1965-03 | 1    | Frame   |
| 25  | 3296-29     | 3    | Nut-Lock, NI                                  |
| 26  | 66-6500     | 1    | Spacer-Wheel                                  |
| 27  | 105-1968-03 | 1    | Bracket-Support, Recoil                       |
| 28  | 2412-91     | 1    | Clamp   |

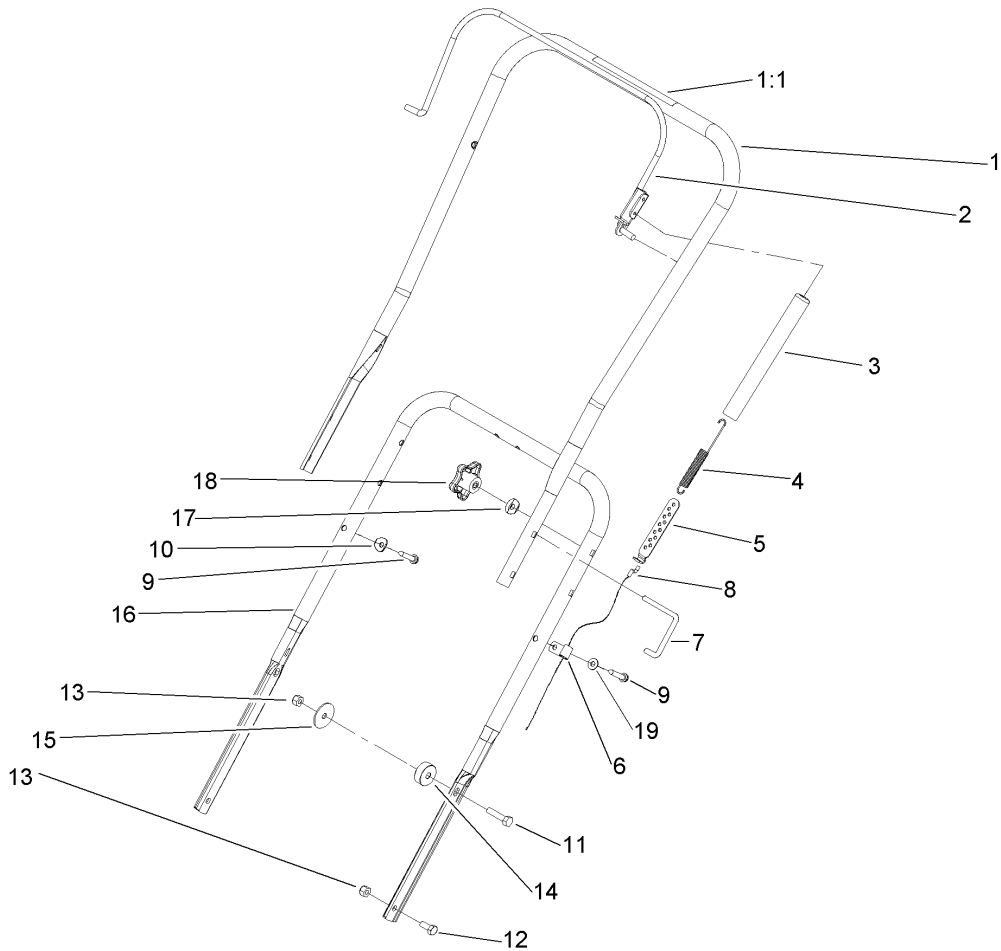
| Ref | Part No. | Qty. | Description         |
|-----|----------|------|---------------------|
| 29  | 32144-97 | 1    | Screw-PPH, Plastite |
| 30  | 104-0878 | 1    | Lever-Choke         |
| 31  | 3256-14  | 1    | Washer-Flat         |
| 33  | 322-43   | 2    | Screw-HH            |



## Upper Shroud and Control Panel Assembly

| Ref | Part No.    | Qty. | Description                 |
|-----|-------------|------|-----------------------------|
| 1   | 3256-22     | 2    | Washer-Flat                 |
| 2   | 3250-32     | 2    | Screw-PPH                   |
| 3   | 104-4133    | 1    | Gas Cap ASM                 |
| 4   | 98-1372     | 1    | Hose-Primer                 |
| 5   | 105-1999-03 | 1    | Panel-Support, Control      |
| 6   | 105-3524    | 1    | Panel-Control               |
| 7   | 32144-112   | 5    | Screw-HWH                   |
| 8   | 55-9410     | 1    | Guide-Rope, Starter         |
| 9   | 612825      | 1    | Handle-Start                |
| 10  | 612824      | 1    | Clip-Starter                |
| 11  | 66-7460     | 1    | Bulb-Primer                 |
| 12  | 44-2750     | 1    | Body-Primer                 |
| 13  | 63-8360     | 1    | Key-Ignition                |
| 14  | 40-5940     | 1    | Switch                      |
| 15  | 218-532     | 1    | Connector-Body              |
| 16  | 107-2448    | 1    | Lower Shroud/Baffle ASM, Ce |
| 20  | 106-4732    | 1    | Upper Shroud ASM            |
| 24  | 100-9889    | 2    | Nut-Speed                   |

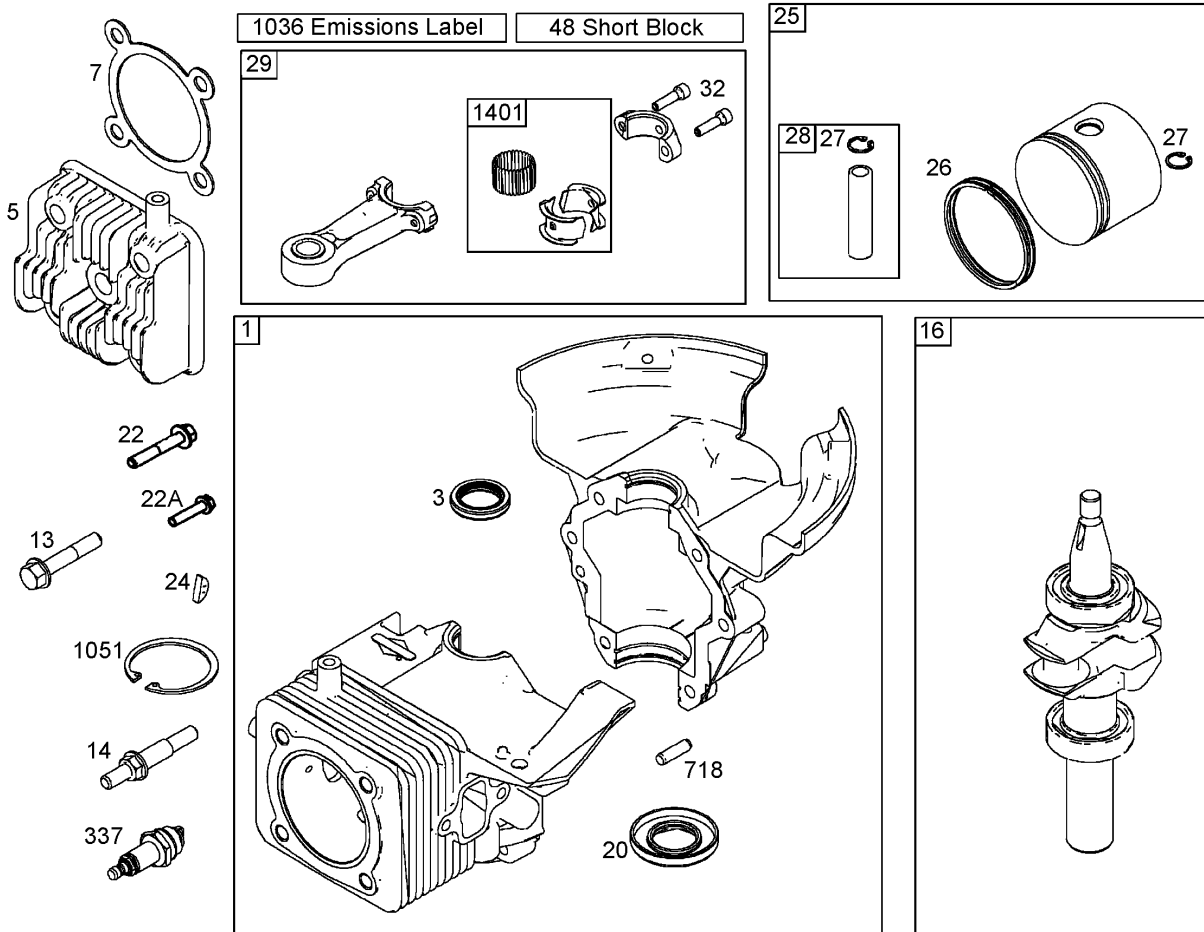




## Handle Assembly

| Ref | Part No.   | Qty. | Description          |
|-----|------------|------|----------------------|
| 1   | 95-2668    | 1    | Handle-Upper W/Decal |
| 1:1 | 94-2577    | 1    | Decal-Rotor Drive    |
| 2   | 71-5120-03 | 1    | Bail ASM             |
| 3   | 71-5530    | 1    | Cover-Spring         |
| 4   | 71-5480    | 1    | Spring-Clutch        |
| 5   | 55-9380    | 1    | Adjuster-Cable       |
| 6   | 2412-91    | 1    | Clamp                |
| 7   | 98-2266    | 2    | Lock-Handle          |
| 8   | 94-9922    | 1    | Cable-Clutch         |
| 9   | 61-8640    | 2    | Screw                |
| 10  | 3-7501     | 1    | Washer               |
| 11  | 322-6      | 2    | Screw-HH             |
| 12  | 322-3      | 2    | Screw-HH             |
| 13  | 3296-29    | 4    | Nut-Lock, NI         |
| 14  | 105-1961   | 2    | Spacer               |
| 15  | 3256-68    | 2    | Washer-Flat          |
| 16  | 55-9121-03 | 1    | Handle-Lower         |
| 17  | 107-3844   | 2    | Washer               |
| 18  | 106-4161   | 2    | Knob-Handle          |
| 19  | 3256-22    | 1    | Washer-Flat          |

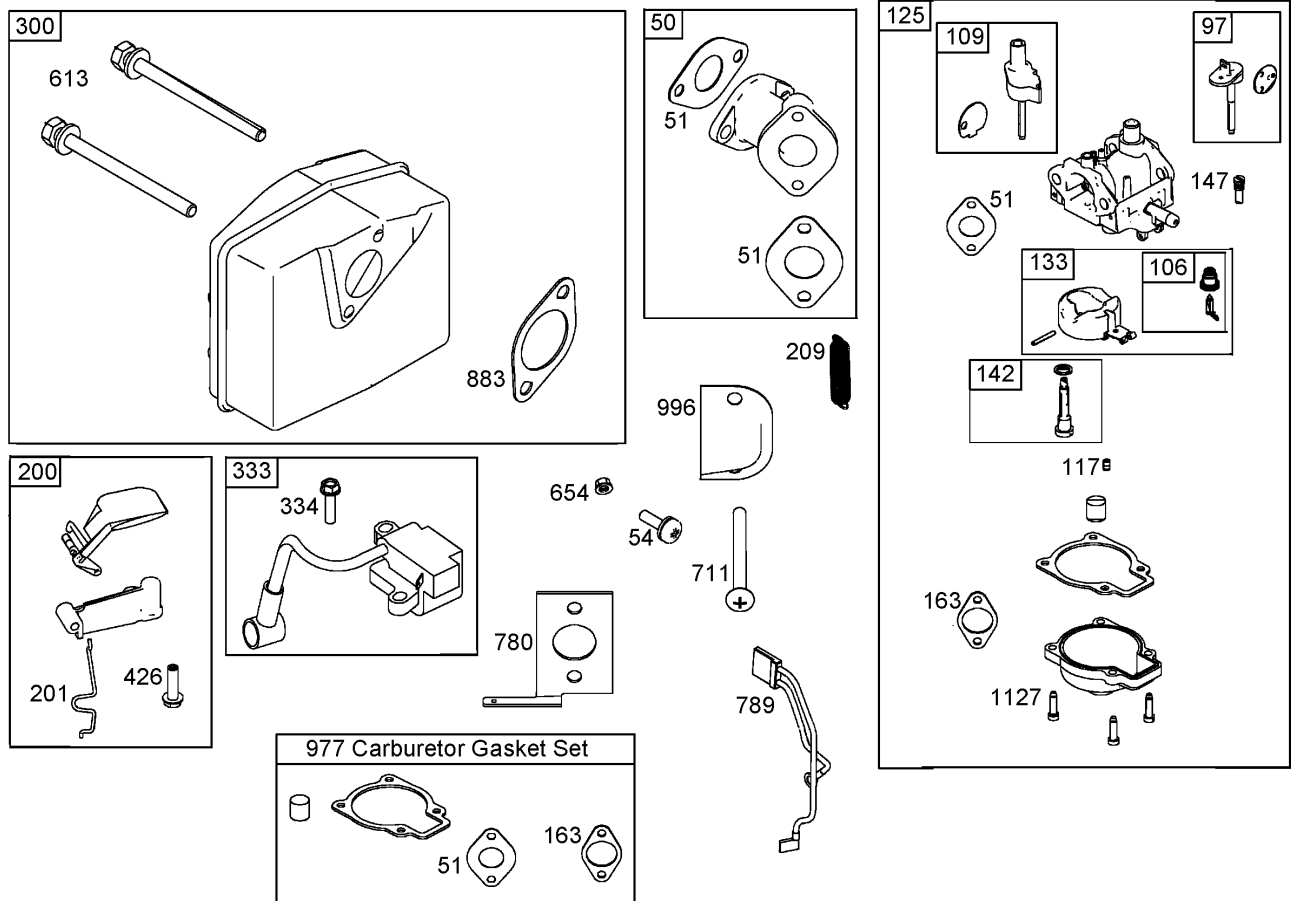
|  |  |  |  |
|--|--|--|--|
|  |  |  |  |
|  |  |  |  |
|  |  |  |  |
|  |  |  |  |



## Cylinder, Piston, and Connecting Rod Assemblies Briggs and Stratton 084133-0196-E1

| Ref  | Part No. | Qty. | Description                      |
|------|----------|------|----------------------------------|
| 1    | 801322   | 1    | Cylinder ASM                     |
| 3    | 801262   | 1    | Seal-Oil                         |
| 5    | 801283   | 1    | Head-Cylinder                    |
| 7    | 801263   | 1    | Gasket-Head, Cylinder            |
| 13   | 801264   | 1    | Screw (Cylinder Head)            |
| 14   | 801265   | 1    | Stud (Cylinder Head)             |
| 22   | 801266   | 1    | Screw (Crankcase And Cover Sump) |
| 22A  | 801271   | 1    | Screw (Crankcase And Cover Sump) |
| 24   | 801234   | 1    | Key-Flywheel                     |
| 25   | 801279   | 1    | Piston ASM                       |
| 26   | 801280   | 1    | Ring Set                         |
| 27   | 801275   | 1    | Lock-Pin, Piston                 |
| 28   | 801276   | 1    | Pin-Piston                       |
| 29   | 801277   | 1    | Rod-Connecting                   |
| 32   | 801278   | 1    | Screw                            |
| 48   | 801285   | 1    | Short Block                      |
| 337  | 801254   | 1    | Plug-Spark                       |
| 718  | 690959   | 1    | Pin-Locating                     |
| 1036 | 801294   | 1    | Label-Emissions                  |
| 1051 | 801274   | 1    | Ring-Retaining                   |

| Ref  | Part No. | Qty. | Description  |
|------|----------|------|--------------|
| 1401 | 801290   | 1    | Roller-Strip |



## Muffler, Carburetor, and Intake Manifold Assemblies Briggs and Stratton 084133-0196-E1

| Ref  | Part No. | Qty. | Description   |
|------|----------|------|---|
| ●50  | 801232   | 1    | Manifold-Intake   |
| ●51  | 801224   | 1    | Gasket-Intake   |
| ●54  | 801230   | 1    | Screw (Intake Manifold)                                       |
| ●97  | 801306   | 1    | Shaft-Throttle  |
| ●106 | 801317   | 1    | Seat-Inlet  |
| ●109 | 801307   | 1    | Shaft-Choke   |
| ●117 | 801310   | 1    | Jet-Main  |
| ●125 | 801233   | 1    | Carburetor  |
| ●133 | 801316   | 1    | Float-Carburetor  |
| ●142 | 801313   | 1    | Nozzle-Carburetor   |
| ●147 | 801308   | 1    | Jet-Pilot   |
| ●163 | 801227   | 1    | Gasket-Cleaner, Air   |
| ●200 | 801289   | 1    | Blade-Governor  |
| ●201 | 801225   | 1    | Link-Vane, Air  |
| ●209 | 801223   | 1    | Spring-Governor   |
| ●300 | 801250   | 1    | Muffler   |
| ●333 | 801268   | 1    | Armature-Magneto  |
| ●334 | 801267   | 1    | Screw   |
| ●426 | 801231   | 1    | Screw   |
| ●613 | 801251   | 1    | Screw   |
| ●654 | 801324   | 1    | Nut (Intake Manifold) (Used Before Engine Code Date 05042600) |
| ●711 | 801229   | 1    | Screw (Starter Motor)   |

| Ref   | Part No. | Qty. | Description           |
|-------|----------|------|-----------------------|
| ●780  | 801228   | 1    | Anchor-Spring         |
| ●789  | 801253   | 1    | Wire ASM              |
| ●883  | 801252   | 1    | Gasket-Exhaust        |
| ●977  | 801312   | 1    | Gasket Set-Carburetor |
| ●996  | 801226   | 1    | Shield-Carburetor     |
| ●1127 | 801318   | 1    | Screw                 |



## NOTES

# NOTES

