



## Snow Commander® Snowthrower

Model No. 38600 - 260000001 and up.

### Parts Catalog

---

#### Ordering Replacement Parts

To order replacement parts, please supply the part number, the quantity, and the description of each part desired.

#### Understanding Reference Numbers

Each identified part in an illustration has a reference number. The reference number for a part also appears in the parts list, along with other information about the part.

This catalog uses two special reference number formats, one to indicate parts in a service assembly and another to indicate the quantity of a given part in an illustration.

#### Service Assembly Reference Numbers

Parts in service assemblies have reference numbers in the form a:b. The a represents the reference number of the entire service assembly and the b represents a sequential number unique to each part within the service assembly.

For example, a wheel assembly might be identified by reference number 6, the tire by 6:1, the valve by 6:2, and the wheel by 6:3. When you order the assembly identified by reference number 6, you receive all parts identified by reference numbers 6:1, 6:2, and 6:3. However, you may also order any part individually. Reference numbers of this type appear in illustrations and in part lists.

#### Reference Numbers Indicating Quantity

In an illustration, if a reference number indicates more than one part, the reference number has the form nX y. The n represents the quantity of the part, the X is the multiplication symbol, and the y represents the reference number.

For example, in an illustration, the reference number 2X 37 means that two of the parts identified by reference number 37 are indicated.

# Contents

Description	Page	Description	Page
Upper Housing and Side Plate Assembly	..... 3	Upper Handle Assembly	..... 10
Lower Housing Assembly	..... 4	Lower Handle Assembly	..... 11
Belt Drive Assembly	..... 5	Crankcase, Crankshaft, Cylinder Head, and Connecting Rod Assemblies Briggs and Stratton 084332-0130-E1	..... 12
Chute Assembly	..... 6	Intake Manifold, Carburetor, and Muffler Assemblies Briggs and Stratton 084332-0130-E1	..... 13
Impeller Assembly	..... 7	Flywheel, Blower Housing, and Starter Assemblies Briggs and Stratton 084332-0130-E1	..... 14
Engine and Frame Assembly	..... 8		
Shroud, Control Panel and Muffler Shield Assembly	..... 9		

## Part Description Abbreviations

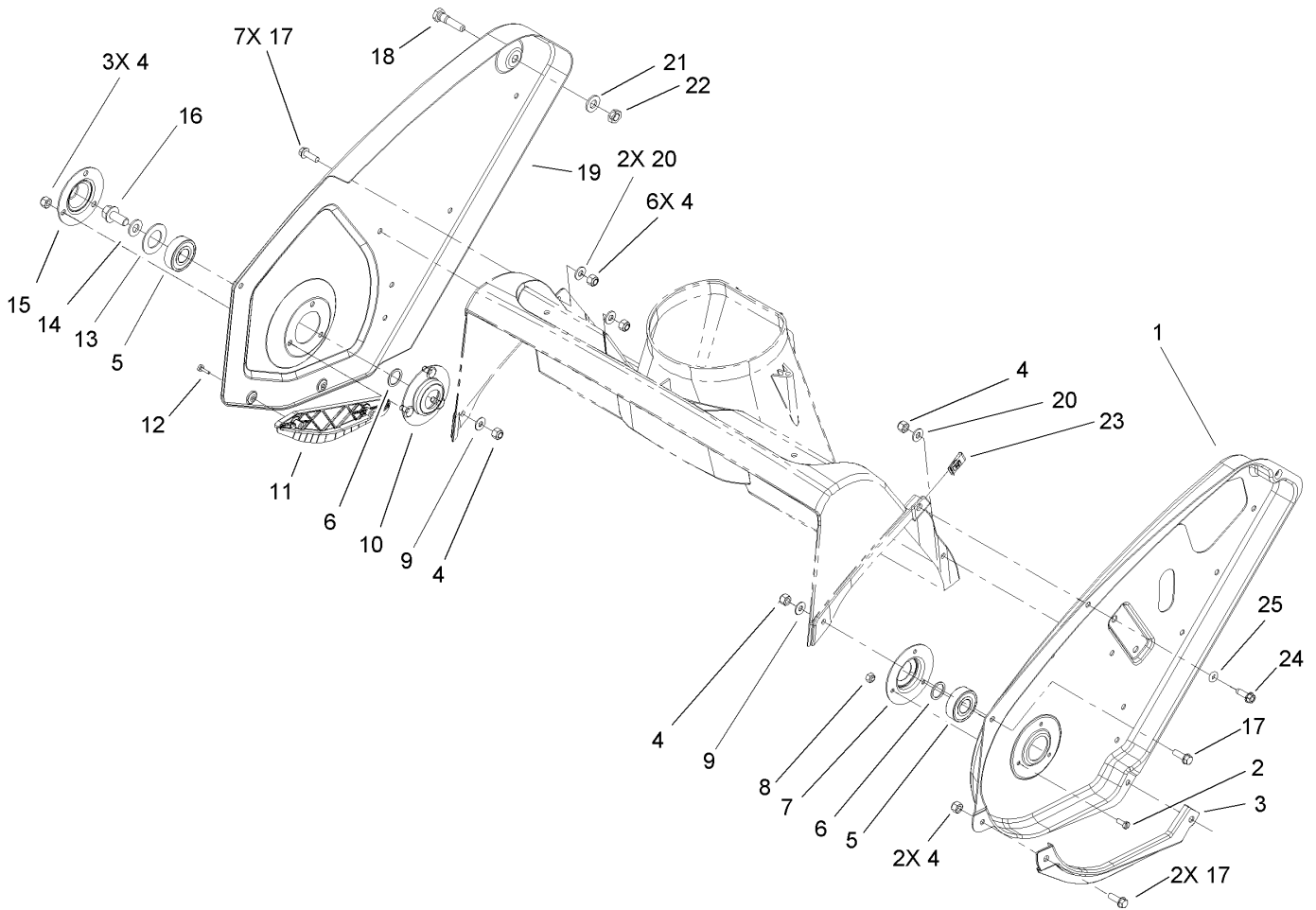
Part descriptions in this catalog may include the following abbreviations.

AR. .... as required	INC. .... incorporated
ASM. .... assembly	LH. .... left hand
BBC. .... blade brake clutch	NI. .... nylon insert
CARR. .... carriage	NPTF. .... national pipe thread fine
DEG. .... degrees	PFH. .... phillips flat head
EXT. .... external	PPH. .... phillips pan head
FH. .... flat head	PPHTF. .... phillips pan head thread forming
GA. .... gauge	PRH. .... phillips round head
HF. .... hex flange	PTH. .... phillips truss head
HH. .... hex head	PTO. .... power-take-off
HHF. .... hex head flange	RH. .... right hand
HHFTF. .... hex head flange thread forming	ROPS. .... roll-over-protection-system
HJ. .... hex jam	SFH. .... slotted fillister head
HLH. .... hex lag head	SHH. .... slotted hex head
HOC. .... height-of-cut	SHWH. .... slotted hex washer head
HSBH. .... hex socket button head	SPH. .... slotted pan head
HSFH. .... hex socket flat head	SQH. .... square head
HSH. .... hex socket head	SRH. .... slotted round head
HWH. .... hex washer head	STD. .... standard
HWHTF. .... hex washer head thread forming	TAP. .... self tapping
HYD. .... hydraulic	TTH. .... torx truss head

## Footnotes

❶ Not serviced separately

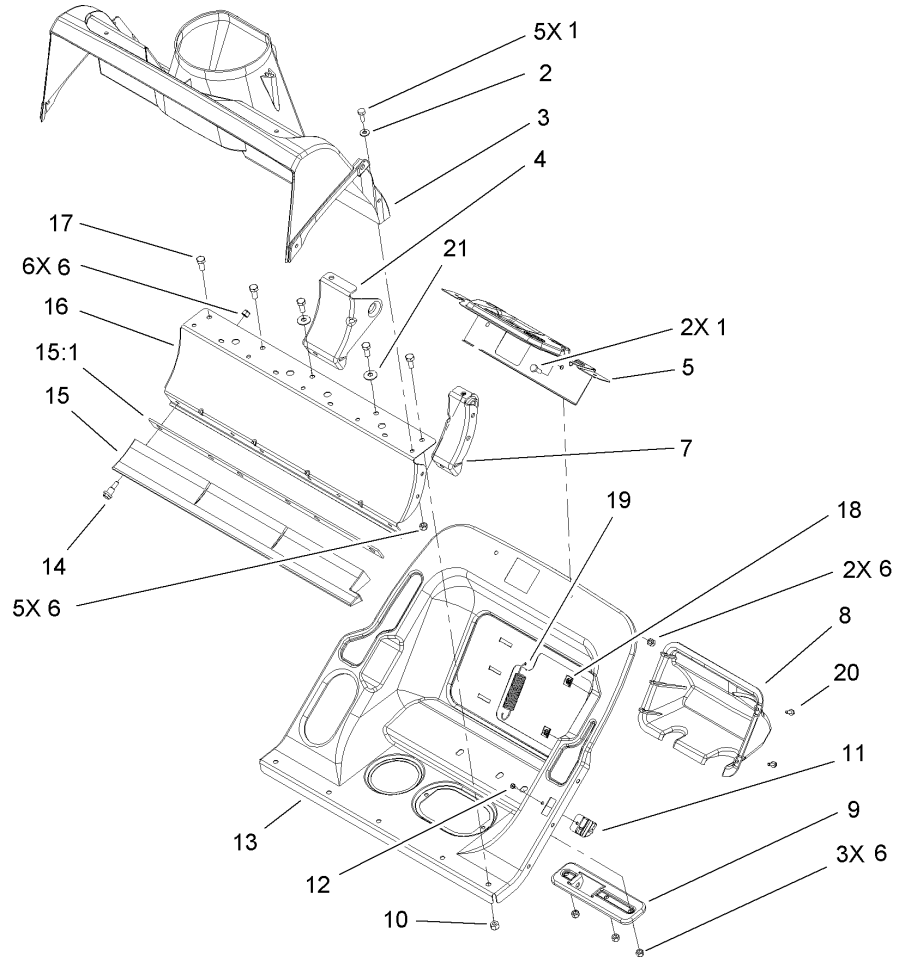
❷ Obtain from your local Briggs & Stratton dealer



## Upper Housing and Side Plate Assembly

Ref	Part No.	Qty.	Description
1	100-9865-03	1	Sideplate-LH
2	32105-8	3	Screw-SHH
3	104-0871	1	Guard-Rotor, LH
4	3296-42	14	Nut-Lock, NI
5	100-1048	2	Bearing-Ball
6	52-7280	2	Washer-Thrust
7	38-8620	1	Flange-Bearing
8	3296-2	3	Nut-Lock
9	3256-1	2	Washer-Flat
10	52-9110	1	Flange-Bearing
11	104-0872	1	Guard-Rotor, RH
12	95-4234	2	Screw-PPH
13	52-7270	1	Washer-Rubber
14	3256-24	1	Washer-Flat
15	52-7290-03	1	Retainer-Bearing
16	3234-25	1	Screw-HHF
17	32105-15	10	Screw
18	38-8211	1	Pin-Rotor
19	100-9870-03	1	Sideplate-RH
20	3256-22	3	Washer-Flat
21	3256-24	1	Washer-Flat
22	32152-8	1	Nut-Lock, Cone
23	702552	1	Nut-Speed
24	49-2040	1	Screw-HWHTF

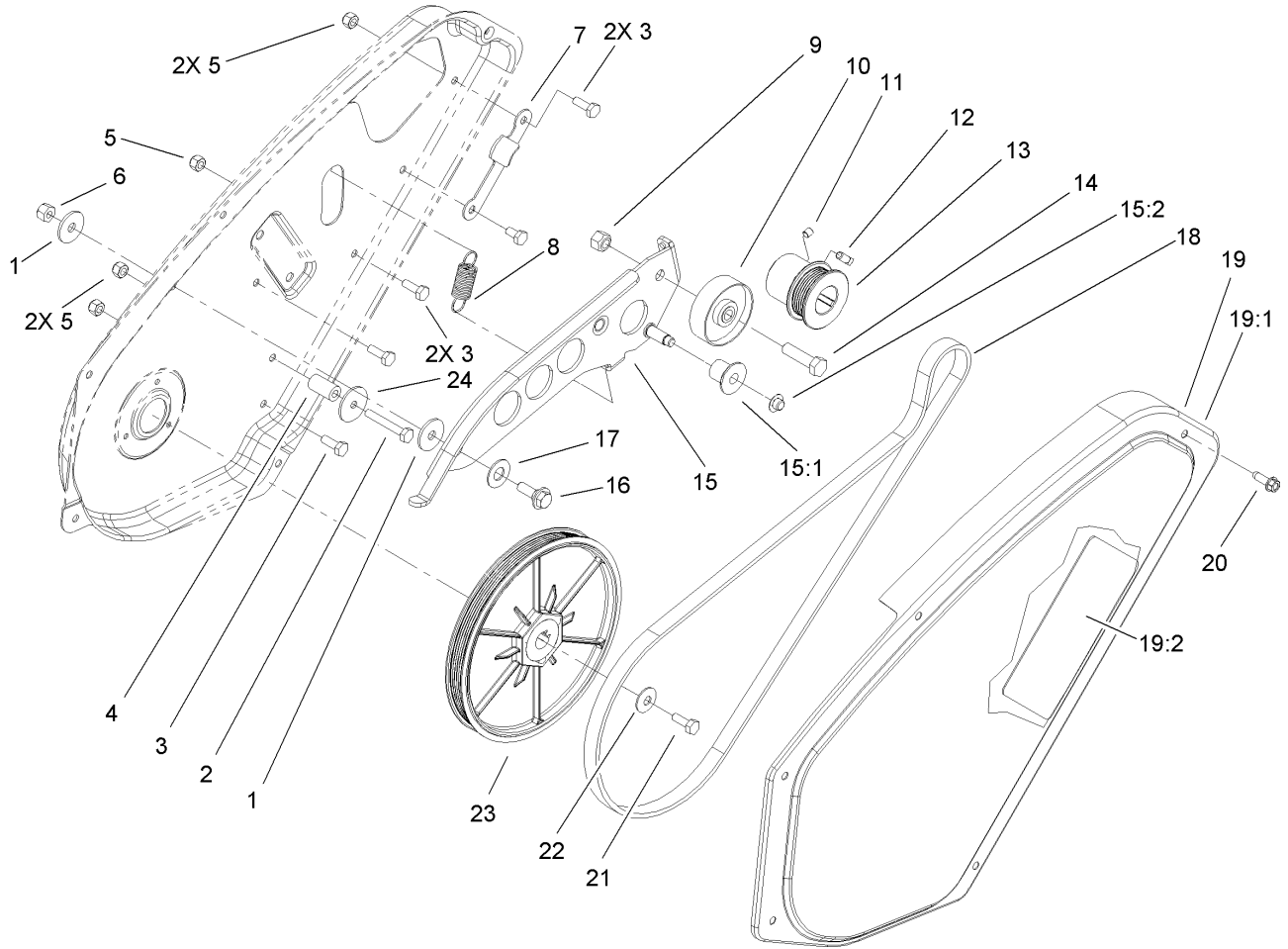
Ref	Part No.	Qty.	Description
25	104-8657	1	O-Ring



## Lower Housing Assembly

Ref	Part No.	Qty.	Description
1	321-4	7	Screw-HH
2	3256-22	5	Washer-Flat
3	100-9894	1	Housing-Rotor, Upper
4	104-0865	1	Bracket-Pivot, RH
5	104-0887-03	1	Control Panel Support ASM
6	3296-42	16	Nut-Lock, NI
7	104-0864	1	Bracket-Pivot, LH
8	104-0874	1	Cover-Carb
9	100-9897	1	Bracket-Pivot, Center
10	3296-29	5	Nut-Lock, NI
11	104-0880	1	Guide-Cable, Clutch
12	95-4234	1	Screw-PPH
13	105-3514-03	1	Housing-Lower
14	104-0858	6	Bolt-Shoulder
15	104-4138	1	Scraper ASM
15:1	104-0879	1	Foam-Scraper
16	100-9893-03	1	Housing-Rotor, Lower
17	322-3	5	Screw-HH
18	100-9889	2	Nut-Speed
19	104-4130	1	Spring-Extension, Pivot
20	32144-112	2	Screw-HWH
21	3290-456	2	Washer-Belleville

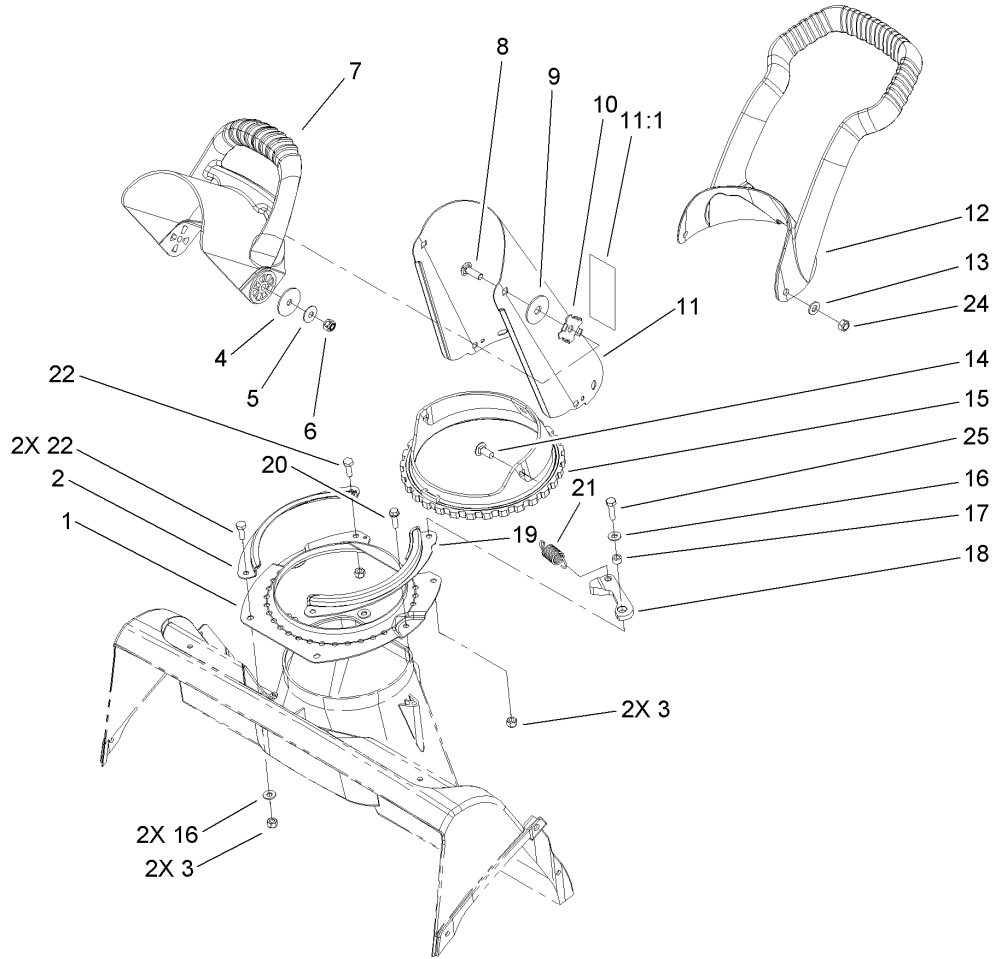
--	--	--	--



### Belt Drive Assembly

Ref	Part No.	Qty.	Description
1	5-4460	2	Washer-Pivot
2	321-10	1	Screw-HH
3	321-4	5	Screw-HH
4	55-9530	1	Sleeve-Guide, Belt
5	3296-42	5	Nut-Lock, NI
6	3296-29	1	Nut-Lock, NI
7	104-0868	1	Belt-Guide
8	104-0869	1	Spring-Brake
9	32152-2	1	Nut-Lock, Cone
10	55-9290	1	Pulley-Idler
11	3245-32	1	Screw-HSH
12	3241-7	1	Screw-SQH
13	104-4108	1	Pulley
14	323-29	1	Screw-HH
15	104-4113	1	Brake-Arm
15:1	104-4114	1	Roller-Brake
15:2	32112-11	1	Nut-Push
16	27-0410	1	Screw-Shoulder
17	25-5640	1	Washer
18	104-0851	1	Belt-Drive
19	104-4140	1	Drive Cover ASM
19:1	104-2767	1	Decal-Warning
19:2	104-4125	1	Decal-Belt Routing
20	49-2040	1	Screw-HWHTF

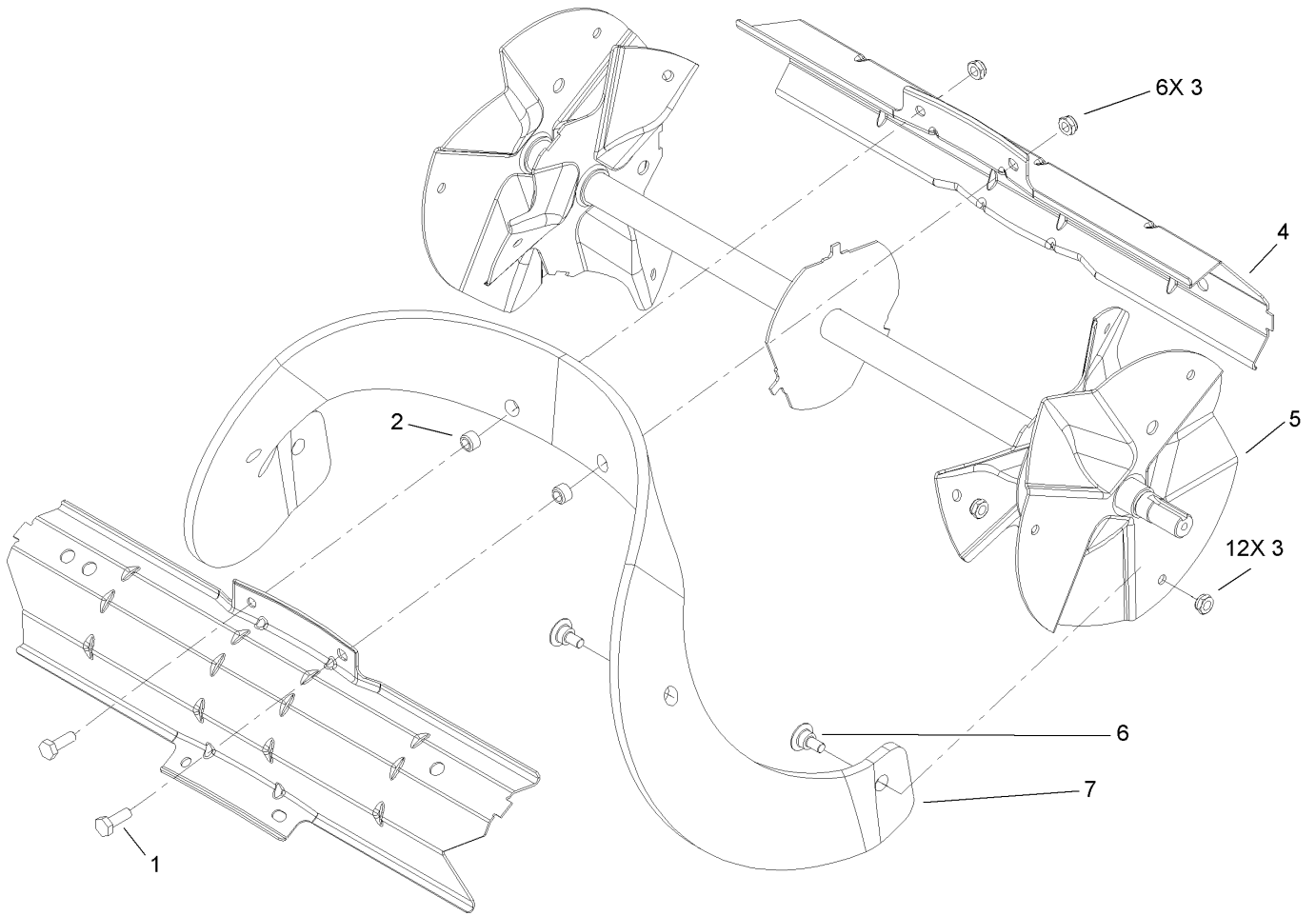
Ref	Part No.	Qty.	Description
21	321-30	1	Screw-HH
22	3290-456	1	Washer-Belleville
23	100-9871	1	Pulley-Rotor
24	3256-55	1	Washer-Flat



### Chute Assembly

Ref	Part No.	Qty.	Description
1	55-8921-03	1	Ring-Support, Chute
2	71-4990-03	1	Retainer-Chute, RH
3	3296-42	4	Nut-Lock, NI
4	3256-68	2	Washer-Flat
5	3290-456	2	Washer-Belleville
6	3296-29	2	Nut-Lock, NI
7	104-0882	1	Chute-Deflector
8	3230-22	2	Screw-CARR
9	20-4320	2	Washer-Rubber
10	55-8950	2	Plate-Friction
11	104-4115	1	Chute ASM
11:1	104-4135	1	Decal-Danger
12	104-0884	1	Handle-Control, Chute
13	3256-70	3	Washer-Flat
14	100-5487	3	Screw-PTH
15	104-2763	1	Ring-Chute
16	3256-22	3	Washer-Flat
17	55-9370	1	Spacer-Blade, Rotor
18	80-4610	1	Detent
19	71-4980-03	1	Retainer-Chute, LH
20	46-8091	2	Screw-HWH
21	80-4600	1	Spring-Extension
22	321-4	3	Screw-HH
24	3296-47	3	Nut-Lock, NI

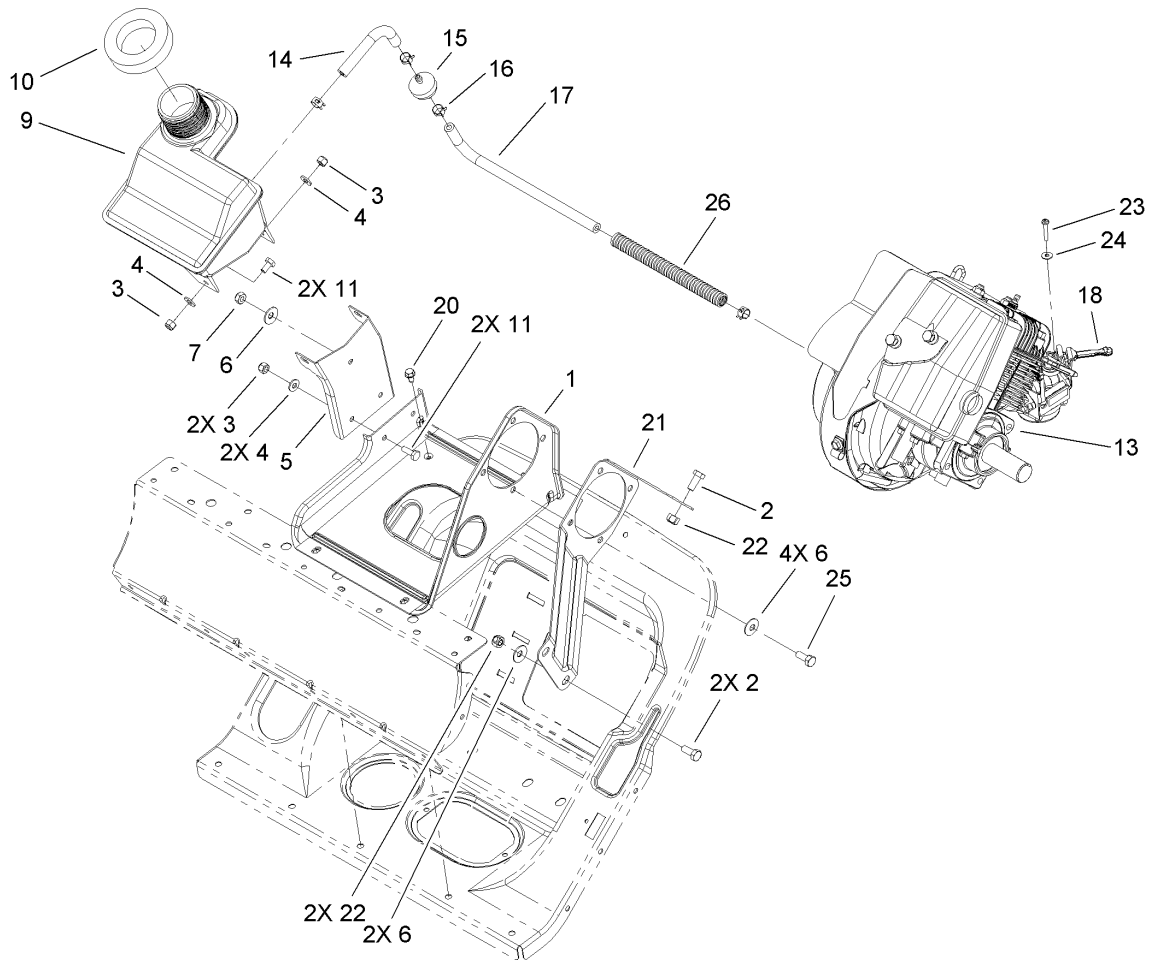
Ref	Part No.	Qty.	Description
25	321-6	1	Screw-HH



## Impeller Assembly

Ref	Part No.	Qty.	Description
1	321-4	6	Screw-HH
2	55-9370	6	Spacer-Blade, Rotor
3	3296-56	18	Nut-Lock, NI
4	100-9856-03	3	Drum-Rotor
5	100-9877-03	1	Rotor ASM
6	84-1971	12	Screw
7	100-9872	3	Blade-Rotor

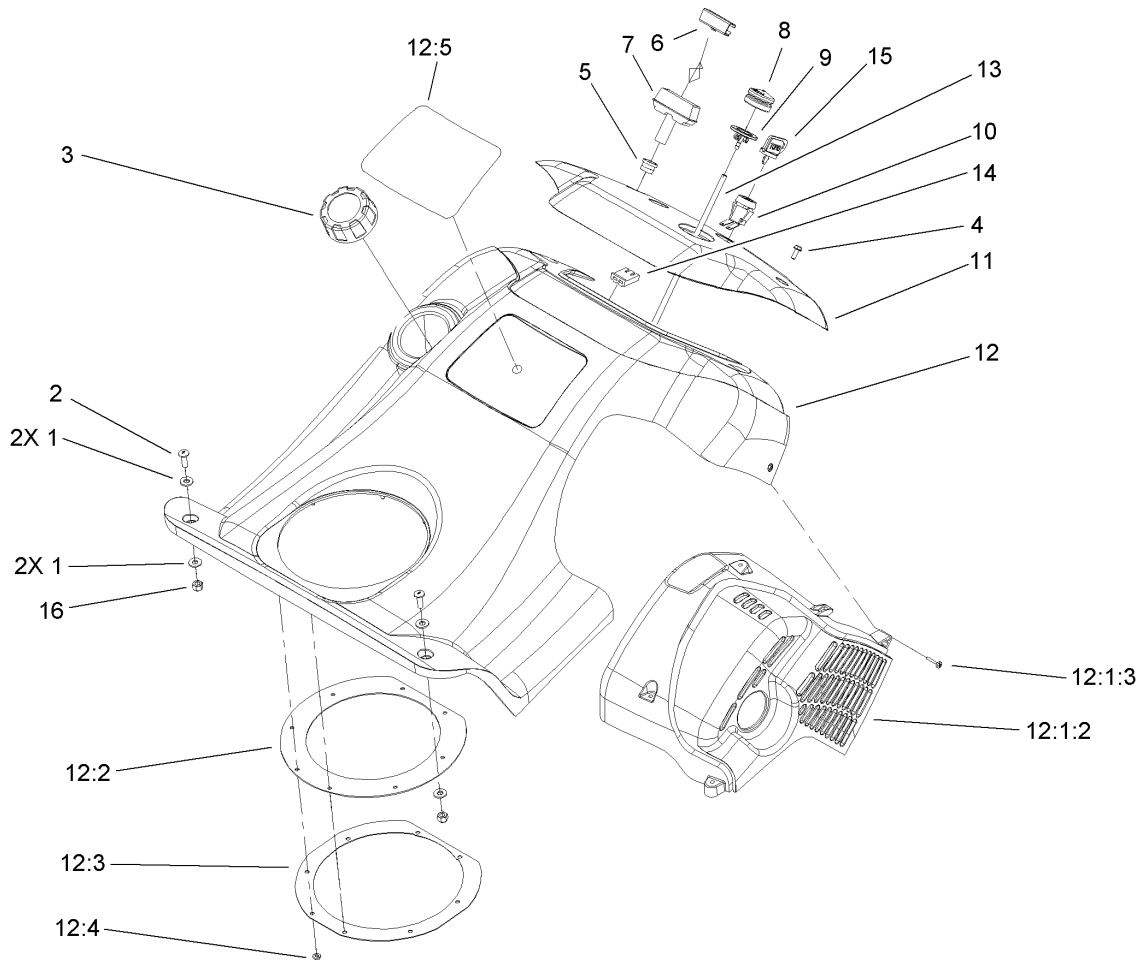
--	--	--	--



## Engine and Frame Assembly

Ref	Part No.	Qty.	Description
1	105-3515-03	1	Support-Engine
2	322-3	3	Screw-HH
3	3296-42	4	Nut-Lock, NI
4	3256-22	4	Washer-Flat
5	100-9899-03	1	Support-Recoil
6	3290-456	7	Washer-Belleville
7	3296-42	1	Nut-Lock, NI
9	105-8953	1	Tank-Gas
10	55-9310	1	Seal-Foam
11	321-4	4	Screw-HH
12		1	Engine-Briggs And Stratton, 084332-0130-E1
14	94-9932	1	Hose-Fuel
15	56-6360	1	Filter-Fuel
16	2412-98	4	Clamp
17	49-2482	1	Line-Fuel
18	104-0878	1	Lever-Choke
20	32144-44	3	Screw-HWH
21	104-0875-03	1	Brace-Engine
22	3296-29	3	Nut-Lock, NI
23	32144-97	1	Screw-PPH, Plastite
24	3256-14	1	Washer-Flat
25	322-4	4	Screw-HH
26	104-4149	1	Conduit

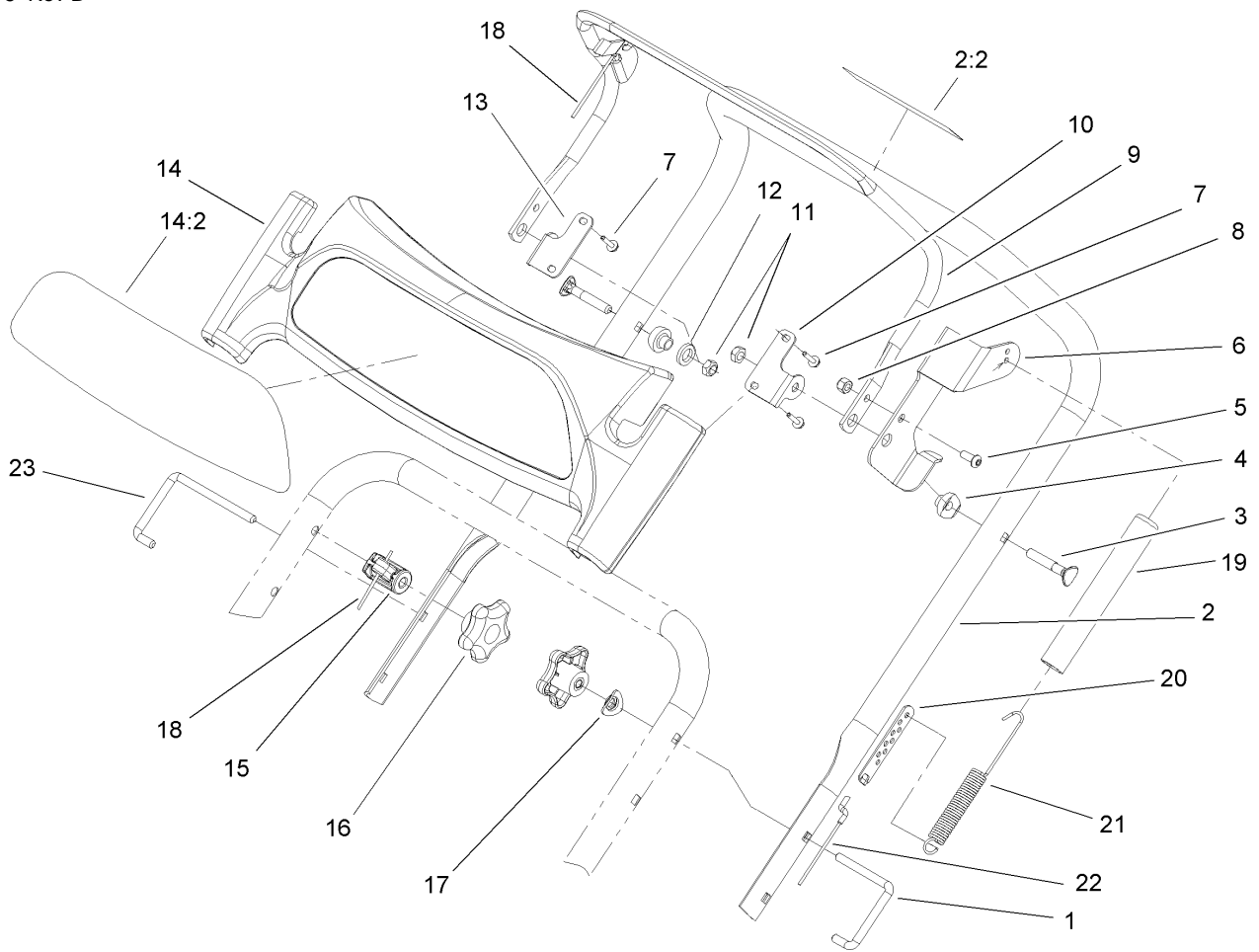
--	--	--	--



## Shroud, Control Panel and Muffler Shield Assembly

Ref	Part No.	Qty.	Description
1	3256-22	4	Washer-Flat
2	3250-32	2	Screw-PPH
3	104-4133	1	Gas Cap ASM
4	32144-112	2	Screw-HWH
5	55-9410	1	Guide-Rope, Starter
6	612824	1	Clip-Starter
7	612825	1	Handle-Start
8	66-7460	1	Bulb-Primer
9	44-2750	1	Body-Primer
10	40-5940	1	Switch
11	104-4106	1	Panel-Control
12	108-5099	1	Upper Shroud ASM Recoil
12:1:2	104-0860	1	Shield-Heat
12:1:3	94-4496	5	Screw-PPH
12:2	105-3543	1	Seal-Chute
12:3	55-9540-03	1	Retainer-Seal, Chute
12:4	3290-474	8	Palnut
12:5	108-5083	1	Decal-Upper Shroud
13	95-1861	1	Hose-Primer
14	218-532	1	Connector-Body
15	63-8360	1	Key-Ignition
16	3296-42	2	Nut-Lock, NI

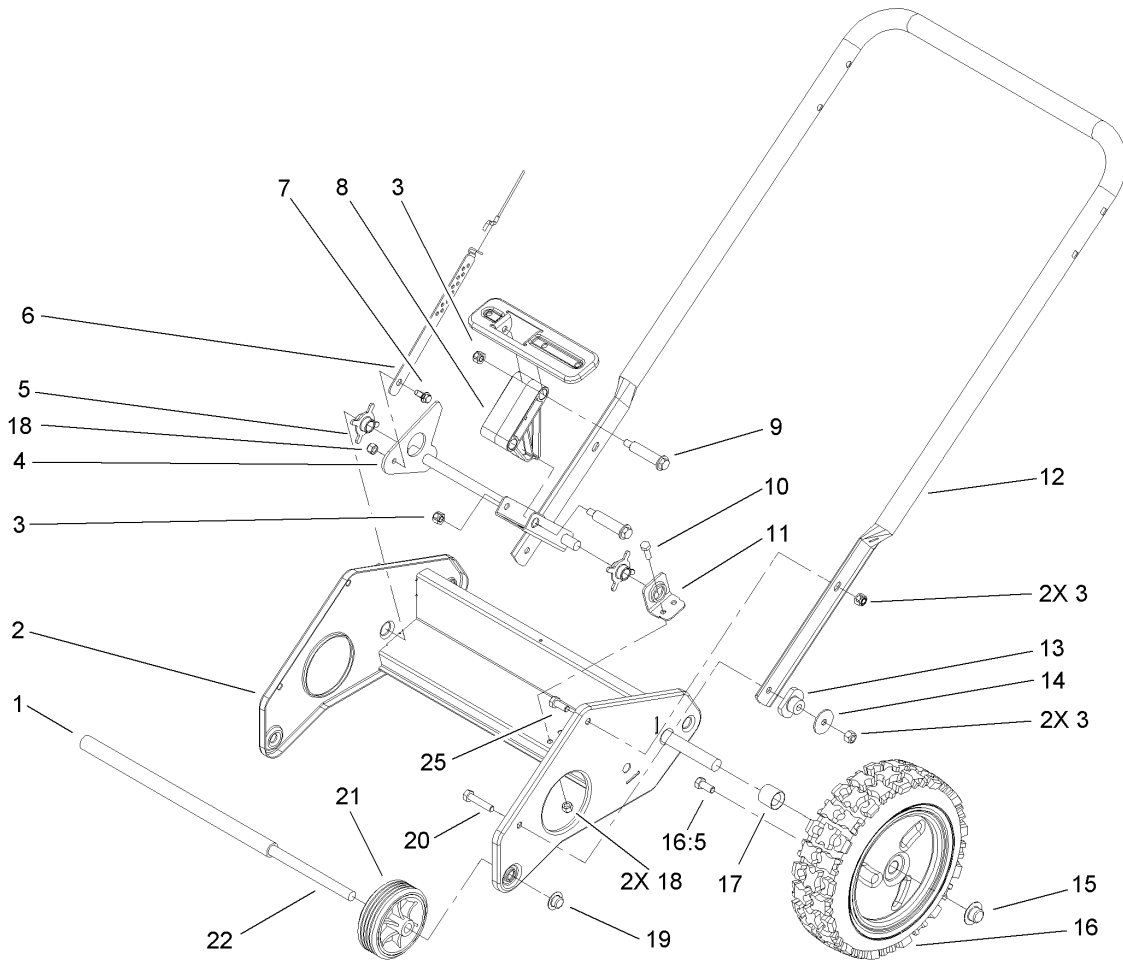
--	--	--	--



## Upper Handle Assembly

Ref	Part No.	Qty.	Description
1	98-2266	1	Lock-Handle
2	104-4137	1	Upper Handle ASM
2:2	104-2775	1	Decal-Drive, Rotor
3	92-2260	2	Screw-Handle
4	55-9340	2	Spacer-Bar, Control
5	3274-31	1	Screw-HSBH
6	100-9882-03	1	Arm-Clutch, Handle
7	98-1375	4	Screw-HWH
8	3296-42	1	Nut-Lock, NI
9	104-4104-03	1	Bar-Control
10	104-4100	1	Bracket-Panel, LH
11	3296-47	2	Nut-Lock, NI
12	55-9670	1	Washer
13	104-4101	1	Bracket-Panel, RH
14	106-4737	1	Display Handle Panel ASM
14:2	106-4716	1	Decal-Handle Display
15	100-9868	1	Guide-Pivot Cable
16	106-4161	2	Knob-Handle
17	107-3844	1	Washer
18	104-0895	1	Cable-Pivot
19	104-4145	1	Cover-Spring
20	71-5330	1	Adjuster-Cable, Clutch
21	104-0894	1	Spring-Cable
22	104-0896	1	Cable-Clutch

Ref	Part No.	Qty.	Description
23	104-4126	1	Lock-Handle, RH

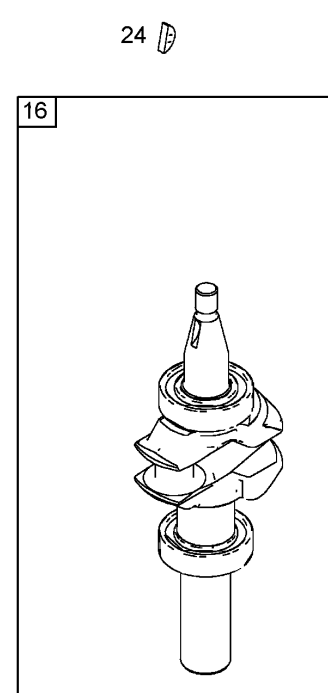
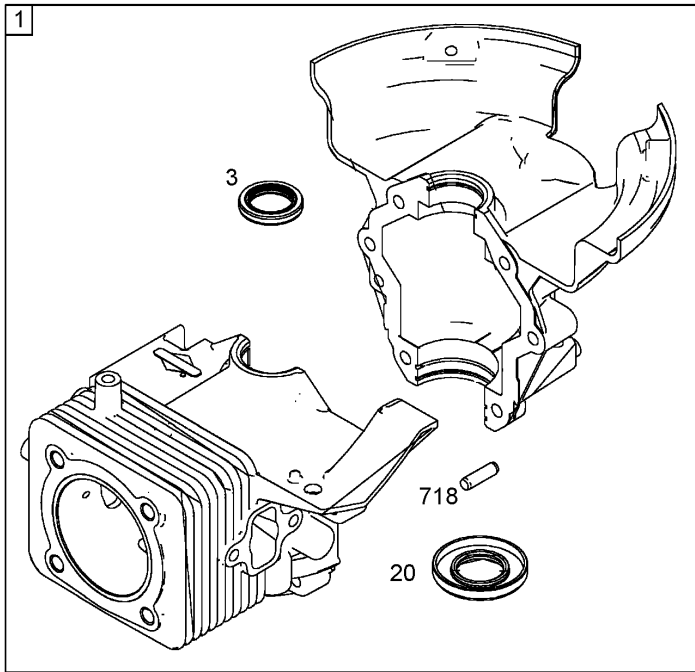
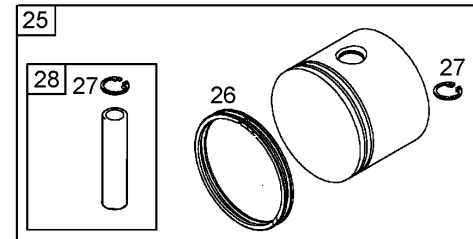
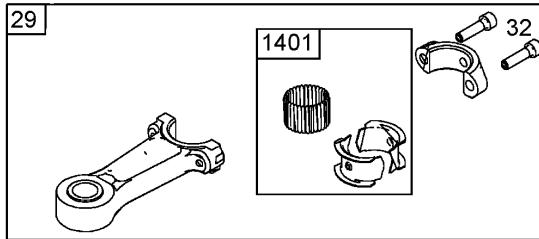
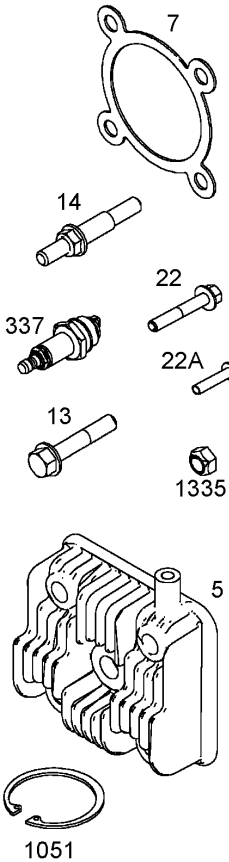


## Lower Handle Assembly

Ref	Part No.	Qty.	Description
1	100-9878	1	Spacer-Plastic
2	100-9887-03	1	Wheelframe ASM
3	3296-29	6	Nut-Lock, NI
4	104-0853	1	Pivot ASM
5	104-0855	2	Bushing-Rod, Pivot
6	104-0899	1	Adjuster-Cable, Pivot
7	104-4102	1	Screw-Shoulder
8	100-9896	1	Block-Pivot
9	100-9880	2	Bolt-Shoulder
10	321-4	2	Screw-HH
11	100-9879	1	Support-Rod, Pivot
12	100-9890-03	1	Handle-Lower
13	100-9883	2	Bushing-Pivot
14	3256-57	2	Washer-Flat
15	104-4111	2	Nut-Push
16	105-3549	2	Wheel ASM
16:5	46-8091	3	Screw-HWH
17	104-0892	2	Spacer-Axle, Rear
18	3296-42	3	Nut-Lock, NI
19	32112-14	2	Nut-Push
20	322-7	2	Screw-HH
21	100-9864	2	Tire And Wheel ASM
22	100-9875	1	Axle-Front
25	322-3	2	Screw-HH


1036 EMISSIONS LABEL

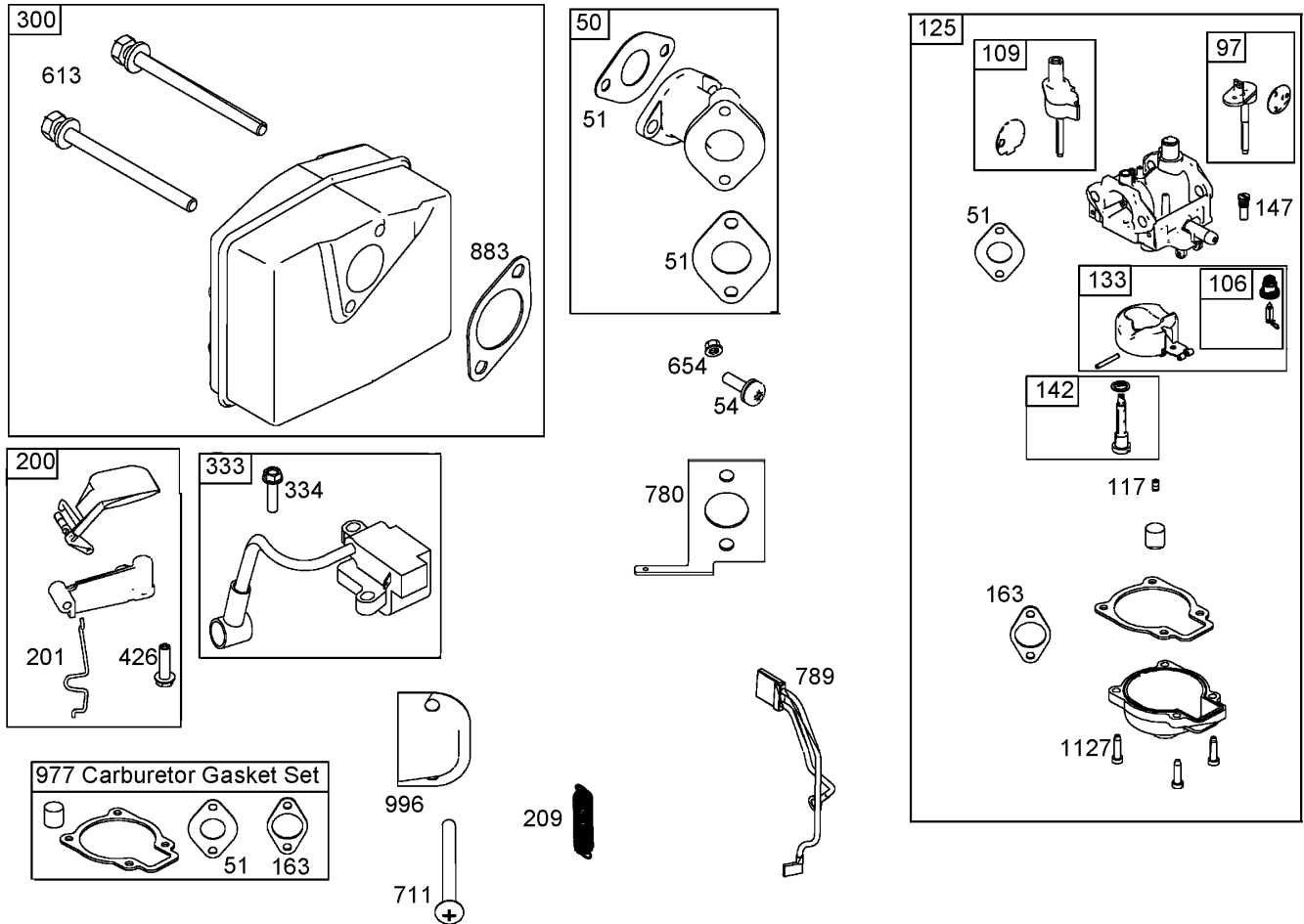
48 Short Block



## Crankcase, Crankshaft, Cylinder Head, and Connecting Rod Assemblies Briggs and Stratton 084332-0130-E1

Ref	Part No.	Qty.	Description
①	801273	1	Cylinder ASM
③	801262	1	Seal-Oil
⑤	801283	1	Head-Cylinder
⑦	801263	1	Gasket-Head, Cylinder
⑬	801264	1	Screw (Cylinder Head)
⑭	801265	1	Stud (Cylinder Head)
⑯	801221	1	Crankshaft
⑳	801261	1	Seal-Oil
㉒	801266	1	Screw (Crankcase Cover And Sump)
㉒A	801271	1	Screw (Crankcase Cover And Sump)
㉔	801234	1	Key-Flywheel
㉕	801281	1	Piston ASM
㉖	801282	1	Ring Set
㉗	801275	1	Lock-Pin, Piston
㉘	801276	1	Pin-Piston
㉙	801277	1	Rod-Connecting
㉚	801278	1	Screw
④⑧	801286	1	Short Block
④③⑦	801254	1	Plug-Spark
④⑦⑧	690959	1	Pin-Locating
④⑩③⑥	801295	1	Label-Emissions
④⑩⑤①	801274	1	Ring-Retaining

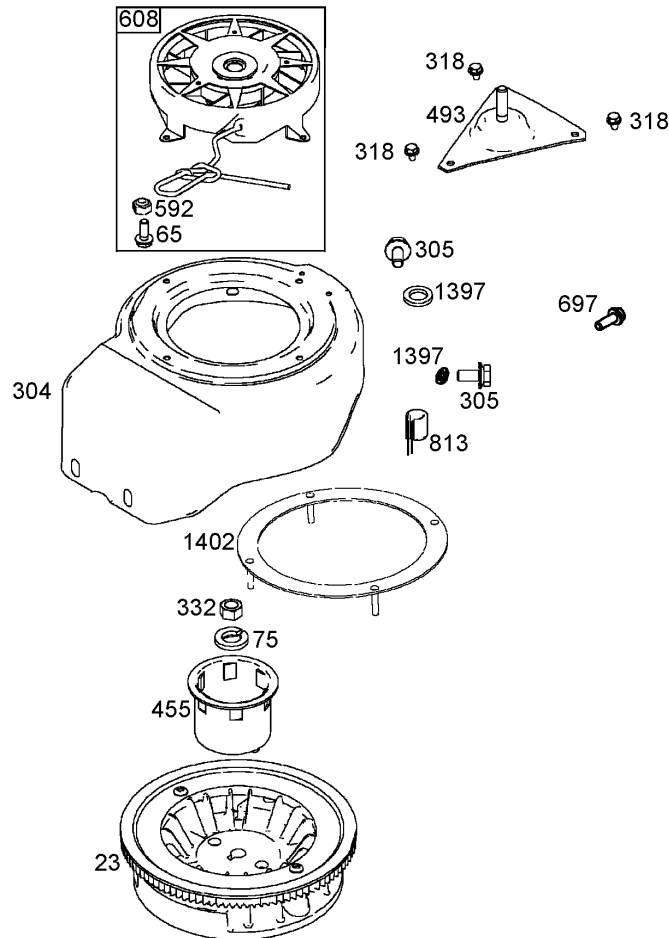
Ref	Part No.	Qty.	Description
④⑬③⑤	801269	1	Nut (Blower Housing)
④⑭④①	801290	1	Roller-Strip



## Intake Manifold, Carburetor, and Muffler Assemblies Briggs and Stratton 084332-0130-E1

Ref	Part No.	Qty.	Description
●50	801232	1	Manifold-Intake
●51	801224	1	Gasket-Intake
●54	801230	1	Screw (Intake Manifold)
●97	801306	1	Shaft-Throttle
●106	801317	1	Seat-Inlet
●109	801307	1	Shaft-Choke
●117	801311	1	Jet-Main
●125	801255	1	Carburetor
●133	801316	1	Float-Carburetor
●142	801313	1	Nozzle-Carburetor
●147	801309	1	Jet-Pilot
●163	801227	1	Gasket-Cleaner, Air
●200	801289	1	Blade-Governor
●201	801225	1	Link-Vane, Air
●209	801223	1	Spring-Governor
●300	801250	1	Muffler
●333	801268	1	Armature-Magneto
●334	801267	1	Screw
●426	801231	1	Screw
●613	801251	1	Screw
●654	801324	1	Nut (Intake Manifold) (Used Before Engine Code Date 05042600)
●711	801229	1	Screw

Ref	Part No.	Qty.	Description
●780	801228	1	Anchor-Spring
●789	801253	1	Wire ASM
●883	801252	1	Gasket-Exhaust
●977	801312	1	Gasket Set-Carburetor
●996	801226	1	Shield-Carburetor
●1127	801318	1	Screw



## Flywheel, Blower Housing, and Starter Assemblies Briggs and Stratton 084332-0130-E1

Ref	Part No.	Qty.	Description
23	801246	1	Flywheel
65	801243	1	Screw
75	801237	1	Washer
304	801257	1	Housing-Blower
305	801239	1	Screw (Blower Housing)
318	801241	1	Screw
332	801238	1	Nut
455	801235	1	Cup-Flywheel
493	801240	1	Bracket-Mounting
592	801244	1	Nut
608	801242	1	Starter-Rewind
697	801248	1	Screw (Starter Motor)
813	801249	1	Clamp
1397	801270	1	Washer (Blower Housing)
1402	801272	1	Ring-Support

## NOTES

