



# 53 cm Rear Bagger

## Lawn Mower

Model No. 26634—Serial No. 230000001 and Up

**Operator's Manual**



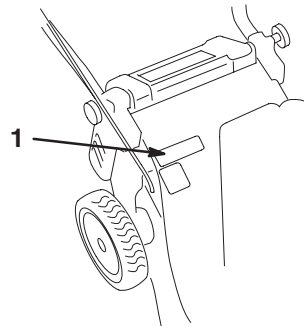
# Contents

	Page
Introduction .....	2
Safety .....	3
General Lawn Mower Safety .....	3
Sound Pressure .....	5
Sound Power .....	5
Vibration .....	5
Safety and Instruction Decals .....	5
Setup .....	6
Installing the Handle .....	6
Installing the Starter Rope .....	7
Before Starting .....	7
Filling the Crankcase with Oil .....	7
Filling the Fuel Tank with Gasoline .....	7
Reviewing the Maintenance Schedule .....	8
Operation .....	8
Controls .....	8
Starting the Engine .....	9
Stopping the Engine .....	9
Using the Self-propel Drive .....	9
Adjusting the Cutting Height .....	9
Using the Grass Bag .....	10
Operating Tips .....	11
Maintenance .....	12
Recommended Maintenance Schedule .....	12
Checking the Engine Oil Level .....	13
Cleaning under the Housing .....	13
Servicing the Air Filter .....	13
Replacing the Spark Plug .....	14
Adjusting the Wheel Drive .....	14
Lubricating the Drive Wheels .....	15
Changing the Engine Oil .....	15
Maintaining the Blade .....	16
Cleaning the Cooling System .....	17
Emptying the Fuel Tank .....	17
Storage .....	18
Preparing the Fuel System .....	18
Preparing the Engine .....	18
General Information .....	18
Removing From Storage .....	18
Troubleshooting .....	19

# Introduction

Read this manual carefully to learn how to operate and maintain your product properly. The information in this manual can help you and others avoid injury and product damage. Although Toro designs and produces safe products, you are responsible for operating the product properly and safely.

Whenever you need service, genuine Toro parts, or additional information, contact an Authorized Service Dealer or Toro Customer Service and have the model and serial numbers of your product ready. Figure 1 illustrates the location of the model and serial numbers on the product.



m-5694

**Figure 1**

1. Location of the model and serial numbers

Write the product model and serial numbers in the space below:

<p><b>Model No.</b> _____</p> <p><b>Serial No.</b> _____</p>
--

This manual identifies potential hazards and has special safety messages that help you and others avoid personal injury and even death. **Danger**, **Warning**, and **Caution** are signal words used to identify the level of hazard. However, regardless of the hazard, be extremely careful.

**Danger** signals an extreme hazard that **will** cause serious injury or death if you do not follow the recommended precautions.

**Warning** signals a hazard that **may** cause serious injury or death if you do not follow the recommended precautions.



**Caution** signals a hazard that may cause minor or moderate injury if you do not follow the recommended precautions.

This manual uses 2 other words to highlight information.


**Important** calls attention to special mechanical information and **Note**: emphasizes general information worthy of special attention.

# Safety

Toro designed and tested this lawn mower to offer reasonably safe service; however, **failure to comply with the following instructions may result in personal injury.**

 <b>Warning</b> 
<p><b>Engine exhaust contains carbon monoxide, an odorless, deadly poison that can kill you.</b></p> <p><b>Do not run the engine indoors or in an enclosed area.</b></p>

**To ensure maximum safety, best performance, and to gain knowledge of the product, it is essential that you and any other operator of the lawn mower read and understand the contents of this manual before operating the lawn mower.**

 **This is the safety alert symbol. It is used to alert you to potential personal injury hazards. Obey all safety messages that follow this symbol to avoid possible injury or death.**

**Improperly using or maintaining this lawn mower can result in injury. To reduce the potential for injury, comply with these safety instructions.**

## General Lawn Mower Safety

The following instructions have been adapted from the ANSI/OPEI standard B71.1—1998 and ISO standard 5395:1990(E). Information or terminology specific to Toro lawn mowers is enclosed in parenthesis.

This lawn mower is capable of amputating hands and feet and of throwing objects. Failure to observe the following safety instructions could result in serious injury or death.

### Training

- Read this operator's manual carefully. Be thoroughly familiar with the controls and the proper use of the lawn mower before starting it.
- Never allow children to operate the lawn mower. Local regulations may restrict the age of the operator.
- Never allow adults unfamiliar with these instructions to operate the lawn mower.
- Never mow while people (especially children) or pets are nearby. Stop the lawn mower if anyone enters the area.

- Tragic accidents can occur if the operator is not alert to the presence of children. Children are often attracted to the lawn mower and the mowing activity. Never assume that children will remain where you last saw them.
- Keep children out of the mowing area and under the watchful care of a responsible adult.
- Be alert and turn the lawn mower off if children enter the area.
- Use extra care when approaching blind corners, shrubs, trees, or other objects that may obscure vision.
- Keep in mind that the operator or user is responsible for accidents or hazards occurring to other people or their property.
- See the manufacturer's instructions for proper operation and installation of accessories. Use only the accessories that are approved by the manufacturer.

### Preparation

- Thoroughly inspect the area where you will use the lawn mower, and remove all stones, sticks, wires, bones, and other foreign objects.
- While mowing, always wear substantial footwear and long trousers.
- Do not operate the lawn mower when barefoot or wearing open sandals.
- Always wear safety goggles or safety glasses with side shields when operating the lawn mower.
- **Warning: Gasoline is highly flammable. Take the following precautions:**
  - Store fuel in containers specifically designed for this purpose.
  - Refuel outdoors only and do not smoke while refuelling.
  - Add fuel before starting the engine. Never remove the cap of the fuel tank or add gasoline while the engine is running or when the engine is hot.
  - If gasoline is spilled, do not attempt to start the engine. Move the lawn mower away from the area of spillage to avoid creating any source of ignition until the gasoline vapors have dissipated.
  - Replace all fuel tank and container caps securely.
  - If you must drain the fuel from the fuel tank, do it outdoors.
- Replace faulty mufflers.
- Before using, always visually inspect the blades, blade bolts, and cutter assembly for wear or damage. Replace worn or damaged blades and bolts in sets to preserve balance.

- On multibladed lawn mowers, use care as rotating one blade can cause the other blades to rotate.

## Operation

- Do not operate the engine in a confined space where dangerous carbon monoxide fumes can collect.
- Mow only in daylight or in good artificial light.
- Always be sure of your footing on slopes.
- Walk; never run.
- Keep a firm hold on the handle.
- For wheeled rotary lawn mowers, mow across the face of slopes, never up and down.
- Exercise extreme caution when changing the direction on slopes.
- Do not mow excessively steep slopes.
- Use extreme caution when reversing or pulling the lawn mower toward you.
- Before and while moving backward, look behind and down for small children.
- Stop the blade(s) if you must tilt the lawn mower for transportation when crossing surfaces other than grass and when transporting the lawn mower to and from the area to be mowed.
- Never operate the lawn mower with damaged or missing guards or shields, or without safety devices (such as deflectors and grass catchers) in place.
- Do not change the speed settings on the engine.
- Disengage all blade and drive clutches before starting the engine.
- Start the engine carefully according to instructions and with feet well away from the blade(s).
- Do not tilt the lawn mower when starting the engine, unless you must tilt the lawn mower to start it. In this case, do not tilt it more than absolutely necessary and lift only the part which is away from the operator.
- Do not start the engine when standing in front of the discharge chute.
- Do not put your hands or feet near or under rotating parts. Keep clear of the discharge opening at all times.
- Never pick up or carry a lawn mower while the engine is running.
- Stop the engine and disconnect the spark-plug wire:
  - before clearing blockages or unclogging the chute;
  - before checking, cleaning, or working on the lawn mower;

- after striking a foreign object. Inspect the lawn mower for damage and make repairs before starting and operating the lawn mower; and
- if the lawn mower starts to vibrate abnormally (check it immediately).

- Stop the engine:
  - whenever you leave the lawn mower; and
  - before refuelling.
- Reduce the throttle setting during engine run-out and, if the engine has a shutoff valve, turn the fuel off after mowing.
- Stop the blade(s) when crossing gravel drives, walks, or roads.
- Shut the engine off and wait until the blade comes to a complete stop before removing the grass catcher.
- Do not operate the lawn mower while under the influence of alcohol or drugs.
- If the lawn mower should start to vibrate abnormally, stop the engine and check immediately for the cause. Vibration is generally a warning of trouble.

Slopes are a major factor related to slip and fall accidents which can result in a severe injury. If you feel uneasy on a slope, do not mow it.

- Watch for holes, ruts, or bumps. Tall grass can hide obstacles.
- Do not mow near drop-offs, ditches, or embankments. You could lose your footing or balance.
- Do not mow on wet grass. Reduced footing could cause slipping.

## Maintenance and Storage

- Keep all nuts, bolts (especially blade attachment bolts), and screws tight to ensure that the lawn mower is in safe working condition.
- Never store the lawn mower with gasoline in the tank inside a building where fumes may reach an open flame or spark.
- Allow the engine to cool before storing the lawn mower in any enclosure.
- To reduce the fire hazard, keep the engine, muffler, battery compartment, and gasoline storage area free of grass, leaves, or excessive grease.
- Check the grass catcher frequently for wear or deterioration.
- Replace worn or damaged parts.
- Use extra care when handling gasoline; gasoline vapors are explosive.

- Never tamper with safety devices. Check their proper operation regularly.
- Keep the lawn mower free of grass, leaves, or other debris buildup. Clean up any oil or fuel that spills.
- Stop and inspect the lawn mower if you strike an object. Repair the lawn mower, if necessary, before starting the engine.
- Never attempt to make wheel height adjustments while the engine is running.
- Grass catcher components are subject to wear, damage, and deterioration, which could expose moving parts or allow objects to be thrown. Frequently check the components and replace them with the manufacturer's recommended parts when necessary.
- Lawn mower blades are sharp and can cut. Wrap the blade(s) or wear gloves, and use extra caution when servicing them.
- Do not change the speed settings on the engine.
- If you must drain the fuel from the fuel tank, do it outdoors.
- To ensure the best performance and safety, purchase only genuine Toro replacement parts and accessories.
- Maintain or replace safety and instruction decals when necessary.

## Sound Pressure

This unit has a maximum sound pressure level at the operator's ear of 89 dBA, based on measurements of identical machines per Directive 98/37/EC.

## Sound Power

This unit has a guaranteed sound power level of 98 dBA, based on measurements of identical machines per Directive 2000/14/EC.

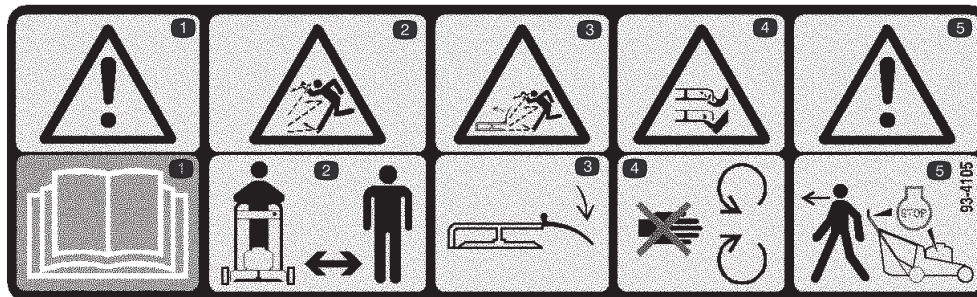
## Vibration

This unit does not exceed a hand/arm vibration level of 4.6 m/s<sup>2</sup>, based on measurements of identical machines per Directive 98/37/EC.

## Safety and Instruction Decals



Safety decals and instructions are easily visible to the operator and are located near any area of potential danger. Replace any decal that is damaged or lost.



### 93-4105

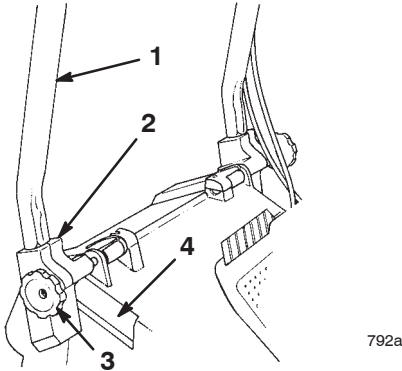
1. Warning—read and understand the operator's manual.
2. Thrown object hazard—keep bystanders away.
3. Thrown object hazard from the lawn mower—keep the deflector in place.
4. Cutting/dismemberment hazard of hands or feet—stay away from rotating blades and moving parts.
5. Warning—Stop the engine and wait for all moving parts to stop before you leave the lawn mower unattended.

# Setup

**Note:** Determine the left and right sides of the machine from the normal operating position.

## Installing the Handle

1. Loosen the knobs on the mounting brackets (Fig. 2).

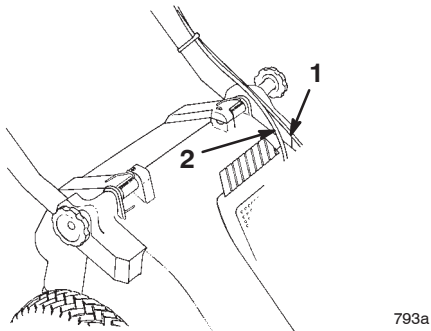


**Figure 2**

- |                         |                       |
|-------------------------|-----------------------|
| 1. Handle               | 3. Knob (2)           |
| 2. Mounting bracket (2) | 4. Housing pocket (2) |

2. Position the mounting brackets vertically so the holes face upward.
3. Slide the handle ends into the holes in the mounting brackets until the handle ends fully seat into the brackets (Fig. 2).

**Note:** Ensure that the blade brake cable and the traction cable rest on top of the left mounting bracket (Fig. 3).

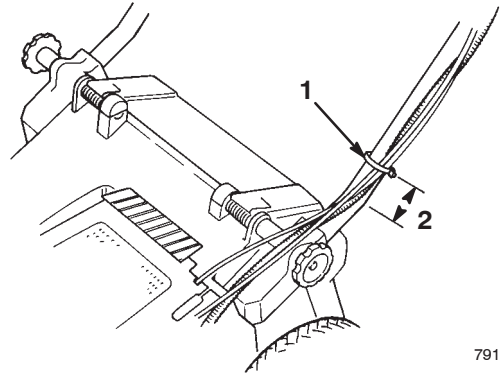


**Figure 3**

- |                      |                   |
|----------------------|-------------------|
| 1. Blade brake cable | 2. Traction cable |
|----------------------|-------------------|

4. Rotate the handle and the mounting brackets rearward until the brackets fit securely into the housing pockets (Fig. 2).
5. Tighten the knobs until the edges of the slots on top of the mounting brackets touch.

6. Secure the cables to the lower side of the left hand tube with a cable tie (Fig. 4). Position the cable tie 1 inch (25 mm) from the bend in the handle as shown in Figure 4.

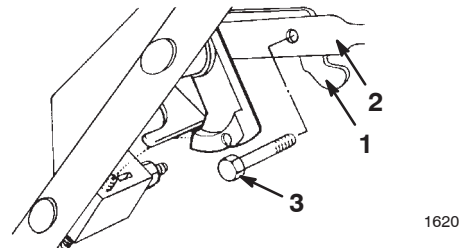


**Figure 4**

- |              |                    |
|--------------|--------------------|
| 1. Cable tie | 2. 1 inch (2.5 cm) |
|--------------|--------------------|

**Note:** Ensure that the cables do not interfere with the raising or lowering of the discharge door.

7. Cut any excess length from the end of the cable tie.
8. Secure the control lever to the control bar with a bolt and a locknut (Fig. 5).



**Figure 5**

- |                  |                        |
|------------------|------------------------|
| 1. Control lever | 3. Bolt                |
| 2. Control bar   | 4. Locknut (not shown) |

## Installing the Starter Rope

Pull the starter rope through the rope guide on the handle (Fig. 6).

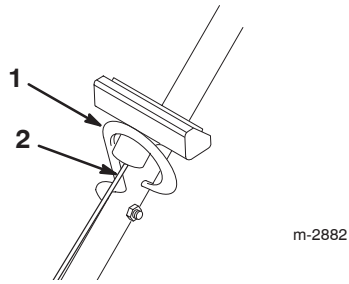


Figure 6

1. Rope guide
2. Starter rope

**Note:** To make the rope easier to install, squeeze the control bar on the handle to release the blade brake.

## Before Starting

### Filling the Crankcase with Oil

The crankcase can hold 22 ounces (0.65 liters) of oil. Use only high-quality SAE 30 detergent oil that has the American Petroleum Institute (API) service classification SF, SG, SH, or SJ.

Before each use, ensure that the oil level is between the Add and the Full marks on the dipstick (Fig. 7).

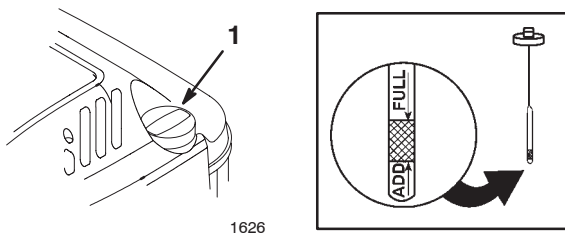


Figure 7

1. Oil fill cap
2. Dipstick

To add oil:

1. Move the lawn mower to a level surface.
2. Clean around the dipstick (Fig. 7).
3. Remove the dipstick from the oil fill tube by rotating the cap counterclockwise and pulling it out.
4. Wipe the dipstick clean with a clean cloth.
5. Fully insert the dipstick into the filler neck, then remove it.

**Note:** To ensure an accurate oil level reading, you must fully install the dipstick.

6. Read the oil level on the dipstick (Fig. 7).
7. If the oil level reading is below the Add mark on the dipstick, **slowly** pour only enough oil into the oil fill tube to raise the oil level to the Full mark on the dipstick.

**Important** Do not overfill the crankcase with oil and run the engine; engine damage can result. Drain the excess oil until the oil level on the dipstick reads Full.

8. Insert the dipstick into the filler neck and rotate the cap clockwise until it is tight.

### Filling the Fuel Tank with Gasoline

For best results, use clean, fresh, lead-free gasoline with an octane rating of 87 or higher. To ensure freshness, purchase only the quantity of gasoline that you expect to use in 30 days. Using unleaded gasoline results in fewer combustion deposits and longer spark plug life. You may use leaded gasoline if unleaded gasoline is not available.

**Important** Do not add oil to the gasoline.

**Important** Do not use methanol, gasoline containing methanol, gasohol containing more than 10% ethanol, premium gasoline, or white gas. Using these fuels can damage the engine's fuel system.

**Important** Do not use gasoline that is more than 30 days old.



## Danger



In certain conditions, gasoline is extremely flammable and highly explosive. A fire or explosion from gasoline can burn you and others and can damage property.

- Fill the fuel tank outdoors, in an open area, and when the engine is cold. Wipe up any gasoline that spills.
- Do not fill the fuel tank completely full. Add gasoline to the fuel tank until the level is 1/4 to 1/2 in. (6 to 13 mm) below the bottom of the filler neck. This empty space in the tank allows the gasoline to expand.
- Never smoke when handling gasoline, and stay away from an open flame or where a spark may ignite the gasoline fumes.
- Store gasoline in an approved fuel container and keep it out of the reach of children.
- Never buy more than a 30-day supply of gasoline.



## Danger



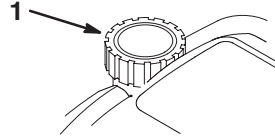
When fueling, under certain circumstances, a static charge can develop, igniting the gasoline. A fire or explosion from gasoline can burn you and others and damage property.

- Always place gasoline containers on the ground and away from your vehicle before filling.
- Do not fill gasoline containers inside a vehicle or on a truck or trailer bed because interior carpets or plastic truck bed liners may insulate the container and slow the loss of any static charge.
- When practical, remove gasoline-powered equipment from the truck or trailer and refuel the equipment with its wheels on the ground.
- If this is not possible, then refuel such equipment on a truck or trailer from a portable container, not from a gasoline dispenser nozzle.
- If you must use a gasoline dispenser nozzle, keep the nozzle in contact with the rim of the fuel tank or container opening at all times until fueling is complete.

Use a fuel stabilizer/conditioner regularly during operation and storage. A stabilizer/conditioner cleans the engine during operation and prevents gum-like varnish deposits from forming in the engine during periods of storage.

**Important** Do not use fuel additives other than a fuel stabilizer/conditioner. Do not use fuel stabilizers with an alcohol base such as ethanol, methanol, or isopropanol.

1. Clean around the fuel tank cap (Fig. 8).



1626

**Figure 8**

1. Fuel tank cap
2. Remove the fuel tank cap (Fig. 8).
3. Fill the fuel tank with unleaded gasoline to within 1/4 to 1/2 inch (6 to 13 mm) from the top of the tank. **Do not fill into the filler neck.**
4. Install the fuel tank cap and wipe up any spilled gasoline.

## Reviewing the Maintenance Schedule

Review the Recommended Maintenance Schedule on page 12. You may need to perform one or more additional procedures before or soon after you begin operating the lawn mower.

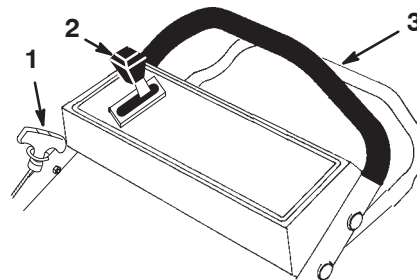
## Operation

**Note:** Determine the left and right sides of the machine from the normal operating position.

Each time before you mow, ensure that the self-propel drive and the control bar operate properly. When you release the control bar, the engine and the self-propel drive should stop. If they do not, contact an Authorized Service Dealer.

## Controls

The controls are located on the upper handle as shown in Figure 9.



972a

**Figure 9**

1. Starter handle
2. Ground speed control
3. Control bar



## Starting the Engine

1. Connect the wire to spark plug (Fig. 10).

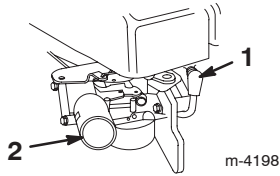


Figure 10

1. Spark-plug wire
2. Primer

2. Move the ground speed control to the **N** (Neutral) position.
3. Push in the primer 3 times, waiting one second between each push (Fig. 8).

**Note:** If the temperature is 55°F (13°C) or below, push in the primer 5 times, waiting one second between each push.

**Note:** Do not use the primer to start a warm engine after a brief shutdown. However, cool weather may require you to prime the engine again.

4. Hold the control bar against the upper handle (Fig. 9).
5. Pull the starter handle lightly until you feel resistance, then pull it sharply (Fig. 9). Allow the rope to return to the handle slowly.

**Note:** If the engine fails to start after 3 attempts, repeat steps 3 through 5.

## Stopping the Engine

Release the control bar. Both the engine and the blade should stop. If they do not stop properly, contact an Authorized Service Dealer.

## Using the Self-propel Drive

1. Move the ground speed control to the desired setting.
2. Squeeze the control bar against the handle to drive (Fig. 11).

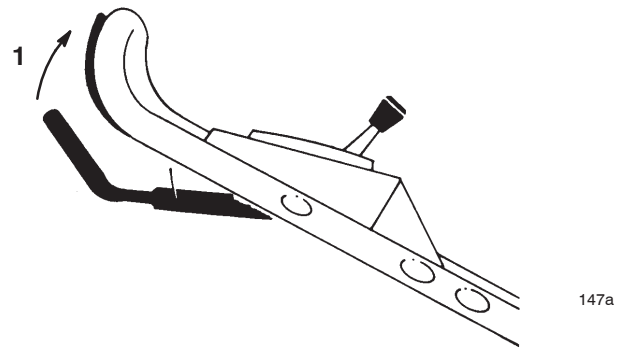


Figure 11

1. The ground speed increases as you move the control bar toward the handle.

You can vary the ground speed by increasing or decreasing distance between control bar and handle (Fig. 11) as follows:

- Lower control bar to slow the mower. If you lower control bar too far, the mower stops self-propelling.
- Squeeze the control bar closer to the handle to increase the ground speed.
- Move the ground speed control to the **N** (Neutral) position when using the mower for trimming.

**Note:** The drive wheels come with freewheeling clutches that enable you to pull the lawn mower rearward more easily when you disengage the wheel drive. To disengage the clutches, push the lawn mower forward at least 1 inch (2.5 cm) after stopping the wheel drive operation.

## Adjusting the Cutting Height



**Danger**



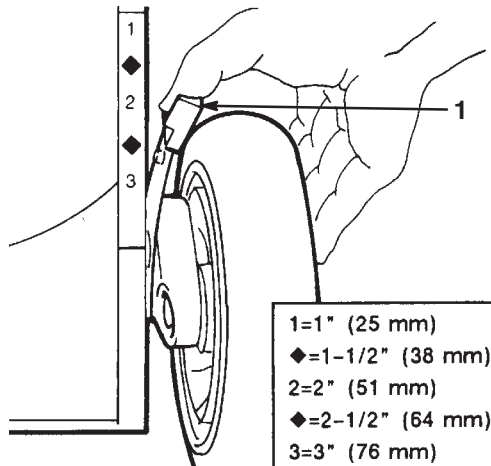
Adjusting the cutting height levers could bring your hands into contact with a moving blade and result in serious injury.

- Stop the engine and wait for all movement to stop before adjusting the cutting height.
- Do not put fingers under the housing when adjusting the cutting height.

1. Stop the engine and wait for all moving parts to stop.
2. Disconnect the wire from the spark plug (Fig. 10).

**Note:** For easier adjustment, lift up the housing so that the wheel is off the ground. **Do not put your fingers under housing to lift up the lawn mower.**

3. Squeeze the cutting height lever toward the wheel and move it to the desired setting (Fig. 12).



**Figure 12**

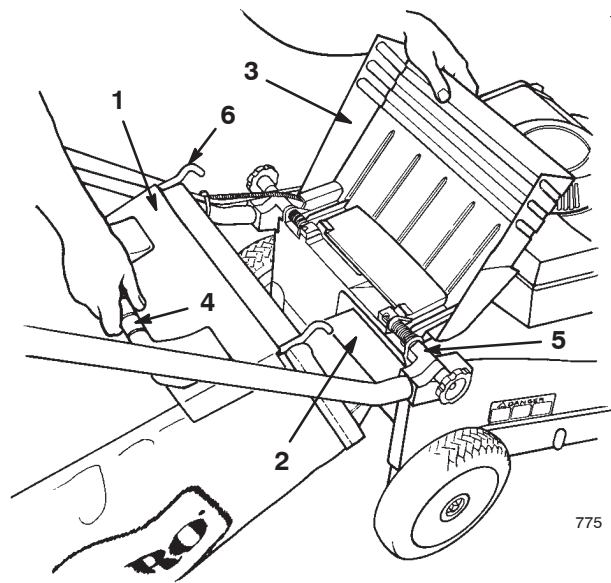
1. Cutting height lever

4. Engage the pin on the cutting height lever in the desired notch.
5. Adjust all the wheels to the same setting.

## Using the Grass Bag

### Installing the Grass Bag

1. Wait for all moving parts to stop.
2. Raise the discharge door, slide the bag ramp attached to the grass bag into the discharge opening, and hook the bag frame onto the rounded portion of the mounting brackets (Fig. 13).

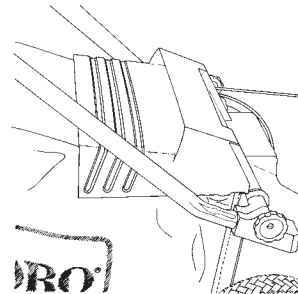


**Figure 13**

- |                   |                         |
|-------------------|-------------------------|
| 1. Bag door       | 4. Bag handle           |
| 2. Bag ramp       | 5. Mounting bracket (2) |
| 3. Discharge door | 6. Bag frame hook (2)   |

**Note:** Ensure that the grass bag door is **fully** closed against the grass bag before installing the bag.

3. Allow the discharge door to close on top of the grass bag (Fig. 14).



**Figure 14**

## Mowing with the Grass Bag



### Warning



A worn grass bag could allow small stones and other similar debris to be thrown in the operator's or bystander's direction and result in serious personal injury or death to the operator or bystanders.

Check the grass bag frequently. If it is damaged, install a new Toro replacement bag.

Cut the grass until the bag is full.

**Important** Do not overfill the bag.

## Removing the Grass Bag

1. Stop the engine and wait for all moving parts to stop.
2. Raise the discharge door and hold it up.
3. Grasp the handle on the grass bag and lift it off of the lawn mower.
4. Close the discharge door.

**Note:** When removing the grass bag, the bag ramp removes any clippings that may plug the discharge opening. If the discharge opening is still plugged, disconnect the wire from the spark plug and remove the clippings with a stick.

**Danger**

**If the discharge door does not close completely, the lawn mower could throw objects, causing serious personal injury or death.**

**If you cannot close the discharge door because the grass clippings clog the discharge area, stop the engine, wait for all moving parts to stop, and gently move the discharge door handle back and forth until you can close the discharge door completely. If you still cannot close the discharge door, remove the obstruction with a stick, not your hand.**

## Operating Tips

- Review the safety instructions and read this manual carefully before operating the lawn mower.
- Clear the area of sticks, stones, wire, branches, and other debris that the blade could hit and throw.
- Keep everyone, especially children and pets, away from the area of operation.
- Avoid striking trees, walls, curbs, or other solid objects. Never deliberately mow over any object.
- If the lawn mower strikes an object or starts to vibrate, immediately stop the engine, disconnect the wire from the spark plug, and examine the lawn mower for damage.
- Maintain a **sharp blade** throughout the cutting season. Periodically file down nicks on the blade.
- Replace the blade when necessary with an original Toro replacement blade.

- Mow only dry grass or leaves. Wet grass and leaves tend to clump on the yard and can cause the lawn mower to plug or the engine to stall.

**Warning**

**Wet grass or leaves can cause you to slip and contact the blade, resulting in serious injury.**

**Mow only in dry conditions.**

- Clean under the housing after each mowing. See *Cleaning under the Housing* on page 13.
- Keep the engine in good running condition.
- Set the engine speed to the fastest position for the best cutting results.

**Warning**

**Operating a lawn mower with its engine running at a speed greater than the factory setting can cause the lawn mower to throw a part of the blade or engine into the operator's or bystander's area and result in serious personal injury or death.**

- **Do not change the engine speed setting.**
- **If you suspect the engine speed is faster than normal, contact an Authorized Service Dealer.**

## Cutting Grass

- Grass grows at different rates at different times of the year. In the summer heat, it is best to cut grass at the 2 inch (51 mm), 2-1/2 inch (64 mm), or 3 inch (76 mm) cutting height settings. Cut only about a third of the grass blade at a time. Do not cut below the 2-inch (51 mm) setting unless the grass is sparse or it is late fall when grass growth begins to slow down.
- When cutting grass over 6 inches (15 cm) tall, first mow at the highest cutting height setting and walk slower; then mow again at a lower setting for the best lawn appearance. If the grass is too long and the leaves clump on top of the lawn, the lawn mower may plug and cause the engine to stall.
- Alternate the mowing direction. This helps disperse the clippings over the lawn for even fertilization.

If the finished lawn appearance is unsatisfactory, try one or more of the following:

- Sharpen the blade.
- Walk at a slower pace while mowing.
- Raise the cutting height on your lawn mower.

- Cut the grass more frequently.
  - Overlap cutting swaths instead of cutting a full swath with each pass.
  - Set the cutting height on the front wheels one notch lower than the rear wheels. For example, set the front wheels at 2 inches (51 mm) and the rear wheels at 2-1/2 inches (64 mm).
  - For light leaf coverage, set all the wheels at the same cutting height setting.
  - If there are more than 5 inches (12.7 cm) of leaves on the lawn, set the front cutting height one or 2 notches higher than the rear cutting height. This makes it easier to feed the leaves under the housing.
  - Slow down your mowing speed if the lawn mower does not cut the leaves finely enough.
  - If you mow over oak leaves, you can add lime to the grass in the spring to reduce the acidity of the oak leaves.
- Cutting Leaves**
- After cutting the lawn, ensure that half of the lawn shows through the cut leaf cover. You may need to make more than one pass over the leaves.

## Maintenance

**Note:** Determine the left and right sides of the machine from the normal operating position.

### Recommended Maintenance Schedule

Maintenance Service Interval	Maintenance Procedure
Each Use	<ul style="list-style-type: none"> <li>• Check the engine oil level. Refer to Checking the Engine Oil Level on page 13.</li> <li>• Check the stopping time of the blade brake. The blade must stop within 3 seconds of releasing the control bar; if it does not, contact an Authorized Service Dealer for repair.</li> <li>• Remove the grass clippings and dirt from under the housing. Refer to Cleaning under the Housing on page 13.</li> </ul>
5 Hours	<ul style="list-style-type: none"> <li>• Check the blade and the engine mounting fasteners. Tighten them if they are loose.</li> </ul>
25 Hours	<ul style="list-style-type: none"> <li>• Clean the air filter pre-cleaner and replace the paper air filter; replace the paper air filter more frequently in dusty or dirty conditions). Refer to Servicing the Air Filter on page 13.</li> <li>• Inspect the spark plug and replace it if necessary. Refer to Replacing the Spark Plug on page 14.</li> </ul>
50 Hours	<ul style="list-style-type: none"> <li>• Change the engine oil.<sup>1</sup> Refer to Changing the Engine Oil on page 15.</li> <li>• Sharpen or replace the blade; maintain it more frequently if the edge dulls quickly in rough or in sandy conditions. Refer to Maintaining the Blade on page 16.</li> <li>• Adjust and grease the wheel drive. Refer to Adjusting the Wheel Drive on page 14 and to Lubricating the Wheel Drive on page 15.</li> <li>• Check for leaks in the fuel system and/or a deteriorating fuel hose. Replace parts if necessary.</li> </ul>
100 Hours	<ul style="list-style-type: none"> <li>• Clean the cooling system. Refer to Cleaning the Cooling System on page 17.</li> </ul>
Storage	<ul style="list-style-type: none"> <li>• Empty the fuel tank before repairs as directed or before storage. Refer to Emptying the Fuel Tank on page 17.</li> </ul>

<sup>1</sup>Change the engine oil after the first 5 operating hours. Change the engine oil after every 25 operating hours in dusty conditions or in high temperatures.

**Important** Refer to your engine operator's manual for additional maintenance procedures.



## Caution



If you leave the wire on the spark plug, someone could accidentally start the engine and seriously injure you or other bystanders.

Disconnect the wire from the spark plug before you do any maintenance. Set the wire aside so that it does not accidentally contact the spark plug.

## Checking the Engine Oil Level

Before you use the lawn mower, ensure that the oil level is between the Add and the Full marks as shown on the dipstick (Fig. 7). If the oil level is below the Add mark, add oil. Refer to Filling the Crankcase Oil on page 7.

## Cleaning under the Housing



### Warning



Tipping the lawn mower may cause the fuel to leak from the carburetor or the fuel tank. Gasoline is extremely flammable, highly explosive and under certain conditions can cause personal injury or property damage.

Avoid fuel spills by running the engine dry or removing gasoline with a hand pump; never siphon.

Tip the lawn mower and scrape it clean.

1. Remove the grass bag.
2. Disconnect the wire from the spark plug (Fig. 10).
3. Drain the gasoline from the fuel tank. Refer to steps 3 and 4 of Emptying the Fuel Tank on page 17.
4. If the grass bag is on the lawn mower, close the door in the lawn mower housing and remove the grass bag.
5. Tip the lawn mower onto its **left** side.
6. Remove the dirt and grass clippings with a hardwood or plastic scraper. Avoid burrs and sharp edges.

**Important** Move the blade as little as possible to avoid future starting problems.

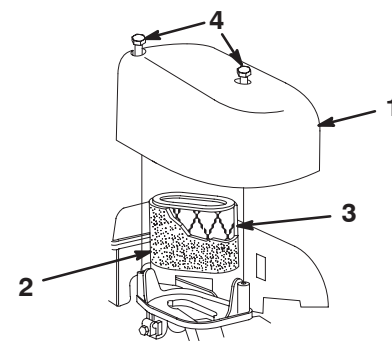
7. Turn the lawn mower upright.
8. Connect the wire to the spark plug.

## Servicing the Air Filter

Clean the pre-cleaner and replace the air filter once every season or every 25 operating hours; replace it more frequently in dusty operating conditions.

**Important** Do not operate the engine without the air filter element; extreme engine damage will occur.

1. Stop the engine and wait for all moving parts to stop.
2. Disconnect the wire from the spark plug (Fig. 10).
3. Remove the screws that secure the air filter cover (Fig. 15).



m-4203

Figure 15

- |                     |               |
|---------------------|---------------|
| 1. Cover            | 3. Air filter |
| 2. Foam pre-cleaner | 4. Screws     |

4. Remove the cover and clean it thoroughly (Fig. 15).
5. Remove the foam pre-cleaner.
6. Wash the pre-cleaner with a mild detergent and water, then blot it dry (Fig. 15).
7. Remove the paper air filter and discard it (Fig. 15).

**Important** Do not try to clean a paper air filter.

8. Insert the new paper air filter into the foam pre-cleaner (Fig. 15).
9. Install the new air filter (Fig. 15).
10. Install the cover and secure it (Fig. 15).

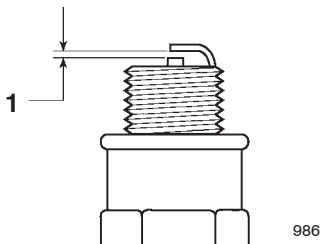
## Replacing the Spark Plug

Check the spark plug after every 25 operating hours. Use a **Champion RC12YC** spark plug or equivalent.

1. Stop the engine and wait for all moving parts to stop.
2. Disconnect the wire from the spark plug (Fig. 10).
3. Clean around the spark plug.
4. Remove the spark plug from the cylinder head.

**Important** Replace the spark plug if it is cracked, fouled, or dirty, or the electrodes are worn or damaged. Do not clean the electrodes because grit entering the cylinder can cause engine damage.

5. Set the gap on the new plug to 0.020 in. (0.50 mm) (Fig. 16).



**Figure 16**

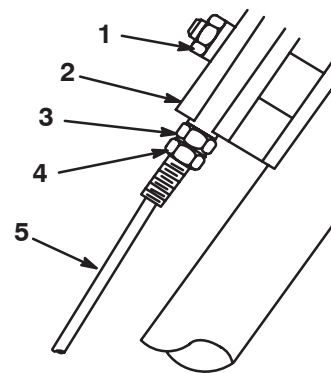
1. 0.020 in. (0.50 mm)

6. Install the spark plug and the gasket seal.
7. Torque the plug to 15 ft-lb (20 N·m).
8. Connect the wire to the spark plug.

## Adjusting the Wheel Drive

If the lawn mower does not self-propel or has a tendency to creep forward when you disengage the wheel drive, adjust the wheel traction control cable.

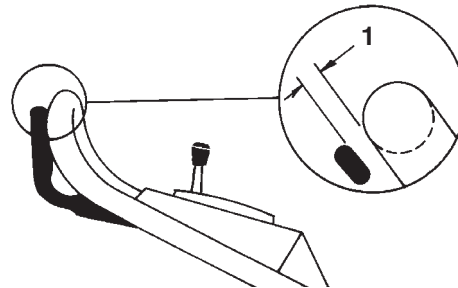
1. Stop the engine and wait for all moving parts to stop.
2. Disconnect the wire from the spark plug (Fig. 10).
3. Loosen the nut on the support block (Fig. 17).



**Figure 17**

1. Nut
2. Support block
3. Top jam nut
4. Bottom jam nut
5. Wheel traction cable

4. Loosen the bottom jam nut on the wheel traction cable (Fig. 17).
5. Lift the control bar until you feel some resistance. The control bar should be 1-1/2 inches (4 cm) from the handle when it is properly adjusted (Fig. 18).



**Figure 18**

1. 1-1/2 inches (4 cm)

6. Move the top jam nut up to increase or down to decrease the clearance between the control bar and the handle.
7. Tighten the bottom jam nut to lock the top jam nut against the support block (Fig. 17).
8. Tighten the nut on the support block.

## Lubricating the Drive Wheels

After every 25 operating hours or at the end of the season, lubricate the drive wheels.

1. Apply 2 or 3 drops of light oil on the inside of the front wheels and on the outside of all the wheel bolts.
2. Spin the wheels to distribute the oil into the bushings.
3. Wipe up any excess oil.
4. Move the rear wheel cutting height levers to the 2-inch (51mm) setting.
5. Wipe the grease fittings with a clean rag (Fig. 19).

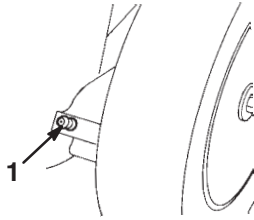


Figure 19

1. Grease fitting

6. Install a grease gun onto each fitting and gently apply 2 or 3 pumps of #2 multi-purpose lithium base grease.

**Important** Applying grease using excess pressure may damage the seals.

## Changing the Engine Oil

Change the oil after the first 5 operating hours and then after every 50 operating hours or every season. Run the engine just before changing the oil to warm the oil. Warm oil flows better and carries more contaminants.

**Note:** Change the oil after every 25 operating hours when operating under heavy load or in high temperatures.

### Draining the Oil above the Housing (Preferred Method)

1. Remove the grass bag.
2. Disconnect the wire from the spark plug (Fig. 10).
3. Drain the gasoline from the fuel tank; refer to steps 3 and 4 of Emptying the Fuel Tank on page 17.
4. Remove the dipstick from oil fill tube and place a drain pan next to the **left** side of the lawn mower.
5. Tip the lawn mower onto its **left** side, allowing the oil to drain into the drain pan (Fig. 20).

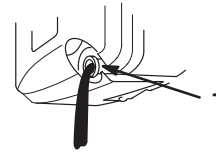


Figure 20

m-1782

1. Oil fill tube

6. Turn the lawn mower upright.
7. Fill the crankcase with fresh oil to the Full mark on the dipstick. Refer to Filling the Crankcase with Oil on page 7.
8. Install the dipstick.
9. Wipe up any spilled oil.
10. Connect the wire to the spark plug.
11. Recycle the used oil according to local codes.

### Draining the Oil below the Housing (Optional Method)

**Note:** You will need a 3/8-inch ratchet extension to perform this procedure.



#### Warning

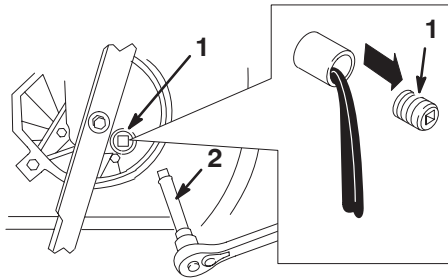


**The blade is sharp; contacting the blade can result in serious personal injury.**

**Wear gloves or wrap the sharp edges of the blade with a rag.**

1. Disconnect the wire from the spark plug (Fig. 10).
2. Drain the gasoline from the fuel tank; refer to steps 3 and 4 of Emptying the Fuel Tank on page 17.
3. Tip the lawn mower onto its **left** side and secure it to prevent it from falling.
4. Place a drain pan under the lawn mower.

- Remove the oil drain plug, return the lawn mower to its operating position, and allow the oil to drain into the drain pan (Fig. 21).



**Figure 21**

- Oil drain plug
- 3/8-inch Ratchet extension

**Note:** Avoid spilling the oil on the belt.

**Important** You may need to move the blade to get to the oil drain plug. Move the blade as little as possible to avoid future starting problems.

- Tip the lawn mower onto its **left** side and install the oil drain plug.
- Move the oil drain pan from under the lawn mower and turn the lawn mower upright.
- Fill the crankcase with fresh oil to the Full mark on the dipstick. Refer to Filling the Crankcase with Oil on page 7.
- Install the dipstick.
- Wipe up any spilled oil.
- Connect the wire to the spark plug.
- Recycle the used oil according to local codes.

## Maintaining the Blade

A straight, sharp blade provides the best cutting performance. Regularly inspect and sharpen the blade.



### Warning



**The blade is sharp; contacting the blade can result in serious personal injury.**

**Wear gloves or wrap the sharp edges of the blade with a rag.**

- Stop the engine and wait for all moving parts to stop.

- Disconnect the wire from the spark plug (Fig. 10).



### Warning



**Tipping the lawn mower may cause the fuel to leak from the carburetor or the fuel tank. Gasoline is extremely flammable, highly explosive and under certain conditions can cause personal injury or property damage.**

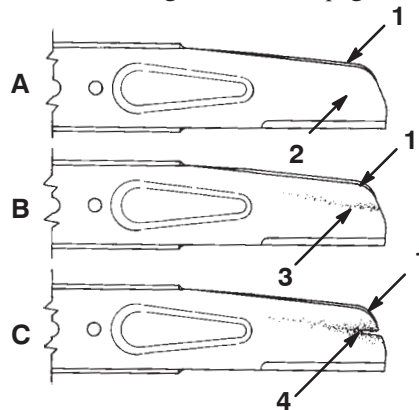
**Avoid fuel spills by running the engine dry or removing gasoline with a hand pump; never siphon.**

- Drain the gasoline from the fuel tank; refer to steps 3 and 4 of Emptying the Fuel Tank on page 17.
- Tip the lawn mower on its **left** side.

**Important** Move the blade as little as possible to avoid future starting problems.

## Inspecting the Blade

Carefully examine the blade for sharpness and wear, especially where the flat and the curved parts meet (Fig. 22A). Because sand and abrasive material can wear away the metal that connects the flat and curved parts of the blade, check the blade before using the lawn mower. If you notice a slot or wear (Figs. 22B and 22C), replace the blade; refer to Removing the Blade on page 17.



**Figure 22**

- Sail
- Flat part of blade
- Wear
- Slot formed

**Note:** For the best performance, install a new blade before the cutting season begins. During the year, file down any small nicks to maintain the cutting edge.





## Danger

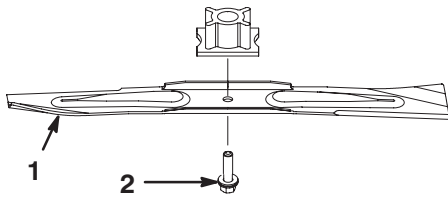


A worn or damaged blade can break, and a piece of the blade could be thrown into the operator's or bystander's area, resulting in serious personal injury or death.

- Inspect the blade periodically for wear or damage.
- Replace a worn or damaged blade.

### Removing the Blade

1. Grasp the end of the blade using a rag or a thickly padded glove.
2. Remove the blade bolt and the blade (Fig. 23).



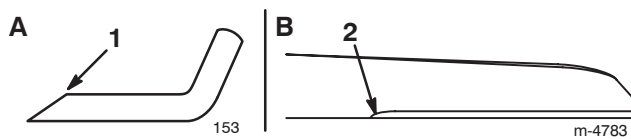
1833

**Figure 23**

1. Blade
2. Blade bolt

### Sharpening the Blade

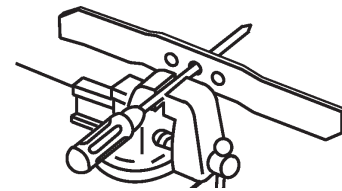
File the top side of the blade to maintain its original cutting angle (Fig. 24A) and inner cutting edge radius (Fig. 24B). The blade will remain balanced if you remove the same amount of material from both cutting edges.

**Figure 24**

1. Sharpen at this angle only
2. Maintain the original radius here

### Balancing the Blade

1. Check the balance of the blade by placing the center hole of the blade over a nail or screwdriver shank clamped horizontally in a vise (Fig. 25).



1007

**Figure 25**

**Note:** You can also check the balance using a commercially manufactured, blade balancer.

2. If either end of the blade rotates downward, file that end (not the cutting edge or the end near the cutting edge). The blade is properly balanced when neither end drops.

### Installing the Blade

1. Install a sharp, balanced Toro blade and the blade bolt.

**Note:** The sail part of the blade must point upward (toward the top of the lawn mower housing).

2. Torque the blade bolt to 60 ft-lb (82 N·m).
3. Return the lawn mower to its upright position.
4. Connect the wire to the spark plug.

### Cleaning the Cooling System

After every 100 operating hours or every season, clean the dirt and the chaff from the cylinder, the cylinder head fins, and around the carburetor and the linkage. Remove debris from the air intake slots on the recoil housing. This will ensure proper cooling and the best engine performance.

### Emptying the Fuel Tank

1. Stop the engine and wait for it to cool.

**Important** Drain gasoline from a cold engine only.



2. Disconnect the wire from the spark plug (Fig. 10).
3. Remove the cap from the fuel tank (Fig. 8).
4. Use a hand pump to pump the gasoline into a clean approved gasoline container.
5. Connect the wire to the spark plug.
6. Run the engine until it stops.
7. Start the engine again to ensure that all the gasoline is out of the carburetor.

# Storage

To prepare the lawn mower for off-season storage, perform the recommended maintenance procedures. Refer to Maintenance on page 12.

Store the lawn mower in a cool, clean, dry place. Cover the lawn mower to keep it clean and protected.

## Preparing the Fuel System

 **Warning** 

**Gasoline can vaporize if you store it over long periods of time and explode if it comes into contact with an open flame.**

- Do not store gasoline over long periods of time.
- Do not store the lawn mower with gasoline in the fuel tank or the carburetor in an enclosure with an open flame. (For example, a furnace or a water heater pilot light.)
- Allow the engine to cool before storing it in any enclosure.

Empty the fuel tank when mowing the last time before storing the lawn mower.

1. Run the lawn mower until the engine stops from running out of fuel.
2. Prime the engine and start it again.
3. Allow the engine to run until it stops. When you can no longer start the engine, it is sufficiently dry.

## Preparing the Engine



1. While the engine is still warm, change the oil in the crankcase. Refer to Changing the Engine Oil on page 15.
2. Remove the spark plug (Fig. 10).
3. Using an oil can, add about one tablespoon of oil through the spark plug hole.
4. Slowly rotate the engine several times using the starter rope to distribute the oil.
5. Install the spark plug but **do not** connect the wire to the spark plug.

## General Information

1. Clean the lawn mower housing. Refer to Cleaning under the Housing on page 13.

2. Clean any dirt and chaff from the cylinder, cylinder head fins, and blower housing.
3. Remove grass clippings, dirt, and grime from the external parts of the engine, the shrouding, and the top of the lawn mower housing.
4. Check the condition of the blade. Refer to Maintaining the Blade on page 16.
5. Service the air filter; refer to Servicing the Air Filter on page 13.
6. Lubricate the self-propel drive; refer to Lubricating the Drive Wheels on page 15.
7. Tighten all nuts, bolts, and screws.
8. Touch up all rusted or chipped paint surfaces with paint available from an Authorized Service Dealer.

## Removing From Storage

 **Warning** 

**Folding or unfolding the handle improperly can pinch, stretch, or damage one or more of the cables. Any pinched, stretched, or damaged cable may cause an operational failure that results in an unsafe operating condition.**

- Do not pinch, stretch, or damage the cables.
- Handle the cables with care when folding or unfolding the handle.
- Do not use the lawn mower if one or more of the cables are pinched, stretched, or damaged. Contact an Authorized Service Dealer.

1. Carefully unfold the upper handle until it nests with the lower handle, then tighten the knobs.
2. Check and tighten all fasteners.
3. Remove the spark plug (Fig. 10) and spin the engine rapidly using the starter to blow the excess oil from the cylinder.
4. Clean the spark plug or replace it if it is cracked, broken, or if the electrodes are worn.
5. Install the spark plug and torque it to 15 ft-lb (20 N·m).
6. Perform the recommended maintenance procedures; refer to Maintenance on page 12.
7. Fill the fuel tank with fresh, clean gasoline.
8. Check the engine oil level. Refer to Checking the Engine Oil Level on page 13.
9. Connect the wire to the spark plug.

# Troubleshooting

Toro designed and built your lawn mower for trouble-free operation. Check the following components and items carefully, and refer to Maintenance on page 12 for more information. If a problem continues, contact an Authorized Service Dealer.

Problem	Possible Causes	Corrective Action
Engine does not start	<ol style="list-style-type: none"> <li>1. The fuel tank is empty or the fuel system contains stale fuel.</li> <li>2. The primer has not been pushed in.</li> <li>3. The wire is not connected to the spark plug.</li> <li>4. The spark plug is pitted, fouled, or the gap is incorrect.</li> </ol>	<ol style="list-style-type: none"> <li>1. Drain and/or fill the fuel tank with fresh gasoline. If the problem persists, contact an Authorized Service Dealer.</li> <li>2. Push the primer in 3 times.</li> <li>3. Connect the wire to the spark plug.</li> <li>4. Check the spark plug and adjust the gap if necessary. Replace the spark plug if it is pitted, fouled, or cracked.</li> </ol>
Engine starts hard or loses power	<ol style="list-style-type: none"> <li>1. The fuel tank contains stale fuel.</li> <li>2. The fuel cap vent hole is plugged.</li> <li>3. The air filter element is dirty and is restricting the air flow.</li> <li>4. The underside of the housing contains clippings and debris.</li> <li>5. The spark plug is pitted, fouled, or the gap is incorrect.</li> <li>6. The engine oil level is low or the oil is dirty.</li> </ol>	<ol style="list-style-type: none"> <li>1. Drain and fill the fuel tank with fresh gasoline.</li> <li>2. Clean the fuel cap vent hole or replace the fuel cap.</li> <li>3. Clean the air filter pre-cleaner and/or replace the paper air filter.</li> <li>4. Clean under the housing.</li> <li>5. Check the spark plug and adjust the gap if necessary. Replace the spark plug if it is pitted, fouled, or cracked.</li> <li>6. Check the engine oil. Change the oil if it is dirty or add oil if it is low.</li> </ol>
Engine runs rough	<ol style="list-style-type: none"> <li>1. The wire is not connected to the spark plug.</li> <li>2. The spark plug is pitted, fouled, or the gap is incorrect.</li> <li>3. The air filter element is dirty and is restricting the air flow.</li> </ol>	<ol style="list-style-type: none"> <li>1. Connect the wire to the spark plug.</li> <li>2. Check the spark plug and adjust the gap if necessary. Replace the spark plug if it is pitted, fouled, or cracked.</li> <li>3. Clean the air filter pre-cleaner and/or replace the paper air filter.</li> </ol>
Lawn mower or engine vibrates excessively	<ol style="list-style-type: none"> <li>1. The blade is bent or is out of balance.</li> <li>2. The blade bolt is loose.</li> <li>3. The underside of the housing contains clippings and debris.</li> <li>4. The engine mounting bolts are loose.</li> </ol>	<ol style="list-style-type: none"> <li>1. Balance the blade. If the blade is bent, replace it.</li> <li>2. Tighten the blade bolt.</li> <li>3. Clean under the housing.</li> <li>4. Tighten the engine mounting bolts.</li> </ol>

<b>Problem</b>	<b>Possible Causes</b>	<b>Corrective Action</b>
Uneven cutting pattern	<ol style="list-style-type: none"> <li>1. All 4 wheels are not at the same height.</li> <li>2. The blade is dull.</li> <li>3. You are mowing in the same pattern repeatedly.</li> <li>4. The underside of the housing contains clippings and debris.</li> </ol>	<ol style="list-style-type: none"> <li>1. Place all 4 wheels at the same height.</li> <li>2. Sharpen and balance the blade.</li> <li>3. Change the mowing pattern.</li> <li>4. Clean under the housing.</li> </ol>
Discharge chute plugs	<ol style="list-style-type: none"> <li>1. The cutting height is too low.</li> <li>2. You are mowing too fast.</li> <li>3. The grass is wet.</li> <li>4. The underside of the housing contains clippings and debris.</li> </ol>	<ol style="list-style-type: none"> <li>1. Raise the cutting height.</li> <li>2. Slow down.</li> <li>3. Allow the grass to dry before mowing.</li> <li>4. Clean under the housing.</li> </ol>
Lawn mower does not self-propel	<ol style="list-style-type: none"> <li>1. The self-propel drive cable is out of adjustment or is damaged.</li> <li>2. There is debris under the belt cover.</li> </ol>	<ol style="list-style-type: none"> <li>1. Adjust the self-propel drive cable. Replace the cable if necessary.</li> <li>2. Clean the debris from under the belt cover.</li> </ol>