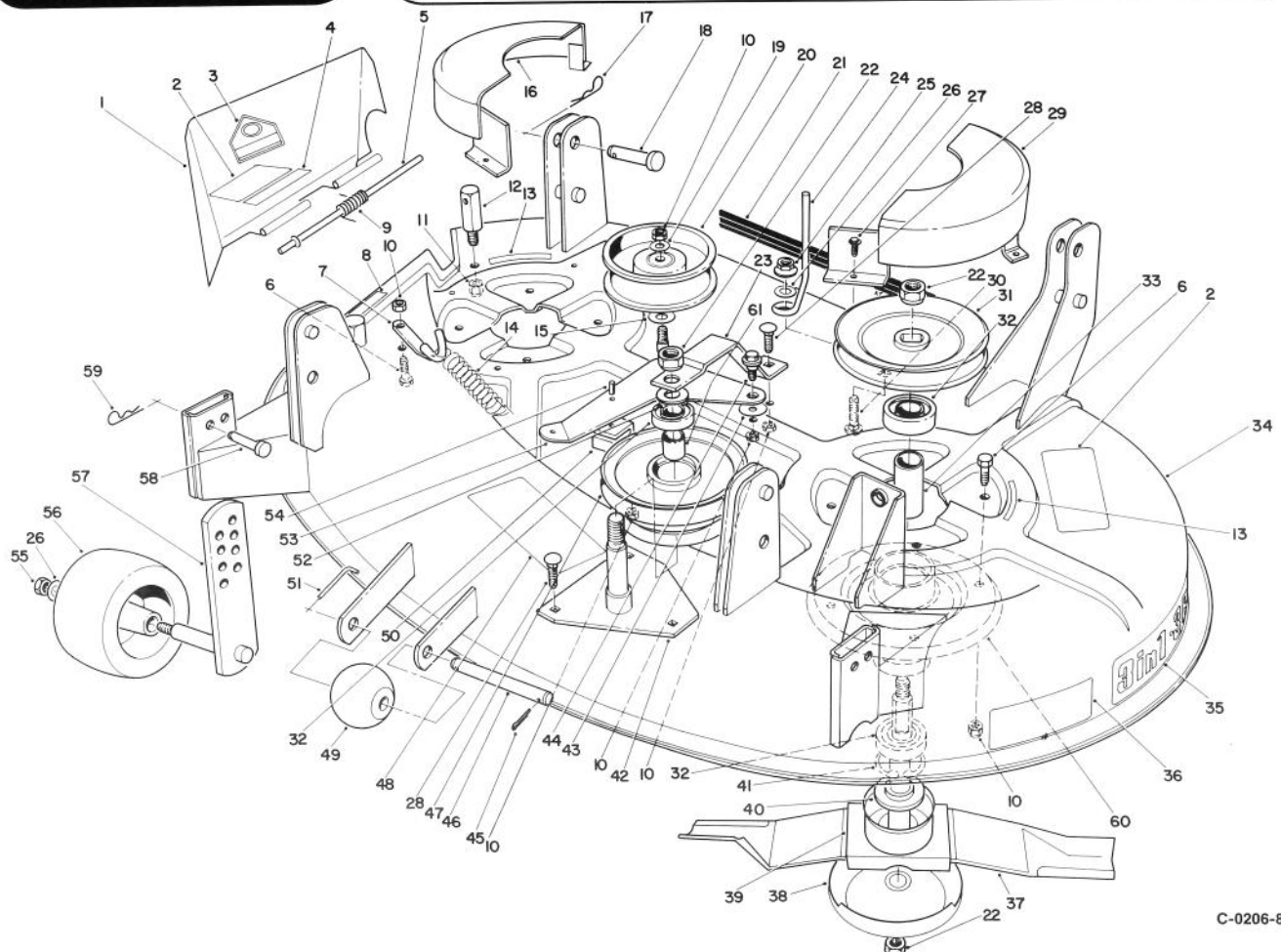




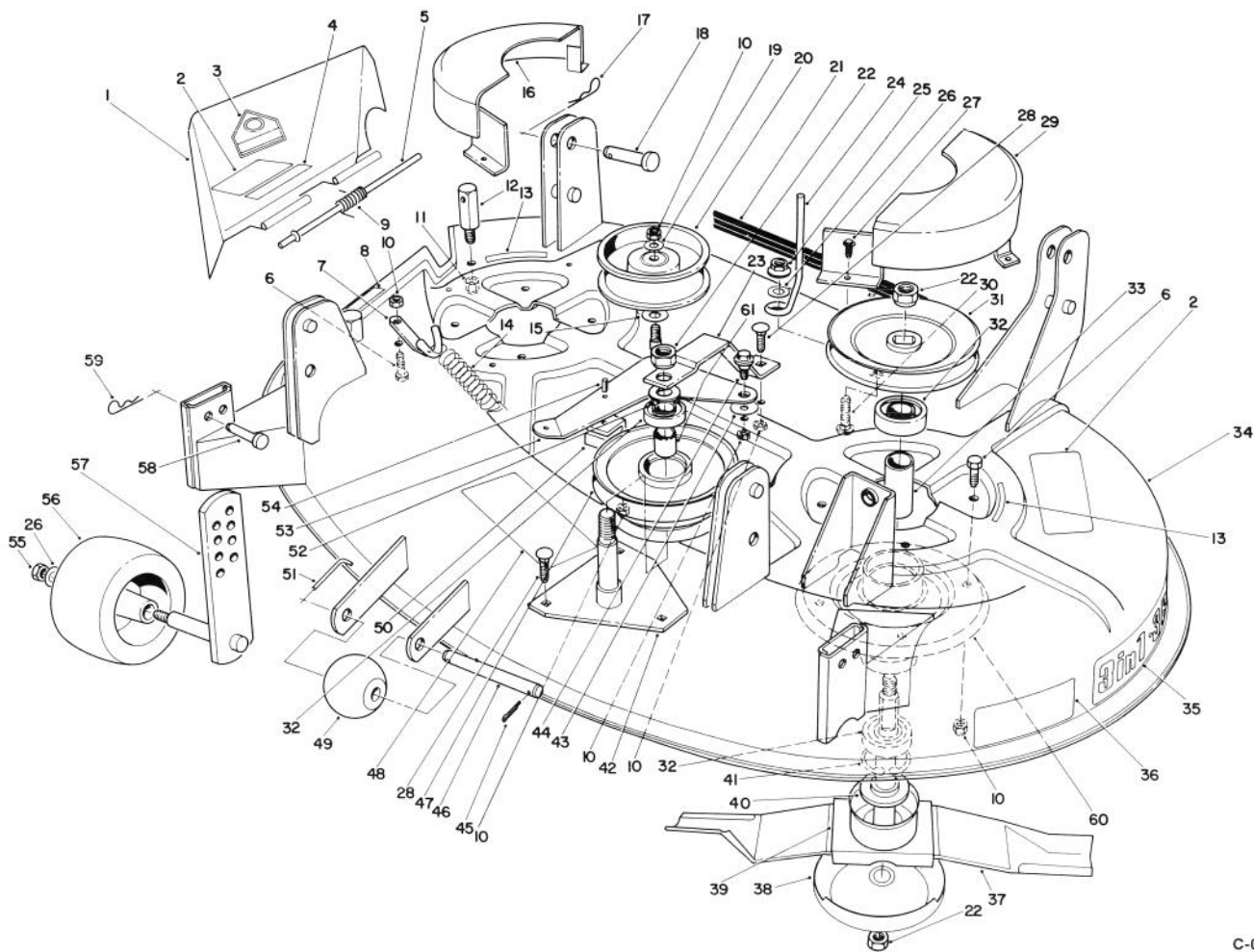
MODEL NO. 55650-900001 & UP

PARTS
CATALOG**38" CUTTING UNIT — HMR**

C-0206-89

38" CUTTING DECK ASSEMBLY

Ref. No.	Part No.	Description	No. Used	Ref. No.	Part No.	Description	No. Used
1	68-3320	Deflector Assembly (Incl. Ref. #2-4)	1	15	3256-4	Washer — Flat	1
2	66-1340	Decal — Danger	2	16	57-4590	Cover — Belt R.H.	1
3	54-9220	Decal — Deflector Danger	1	17	3290-355	Hairpin Cotter	4
4	36-3400	Decal — Warning	1	18	283-8	Pin — Clevis	4
5	57-4380	Rod — Deflector Hinge	1	19	3256-2	Washer — Flat	1
6	322-3	Hex. Hd. Capscrew	9	20	36-3220	Pulley - Idler	1
7	57-4510	Rod — Spring	1	21	56-4740	V-Belt	1
8	68-3650	Decal — Deflector Danger	1	22	17-0980	Locknut — Special	5
9	57-6950	Spring — Torsion	1	23	68-2750	Support — Pulley	1
10	3296-29	Locknut	15	24	68-2380	Rod — Belt	2
11	3296-44	Locknut	1	25	32128-21	Flange Locknut	2
12	57-4360	Post — Rear Pivot	1	26	3256-24	Washer — Flat	4
13	68-3660	Decal — Shield Danger	2	27	32104-76	Hex. Hd. Slotted Screw	6
14	28-2340	Spring — Extension	1	28	3230-1	Carriage Bolt	4



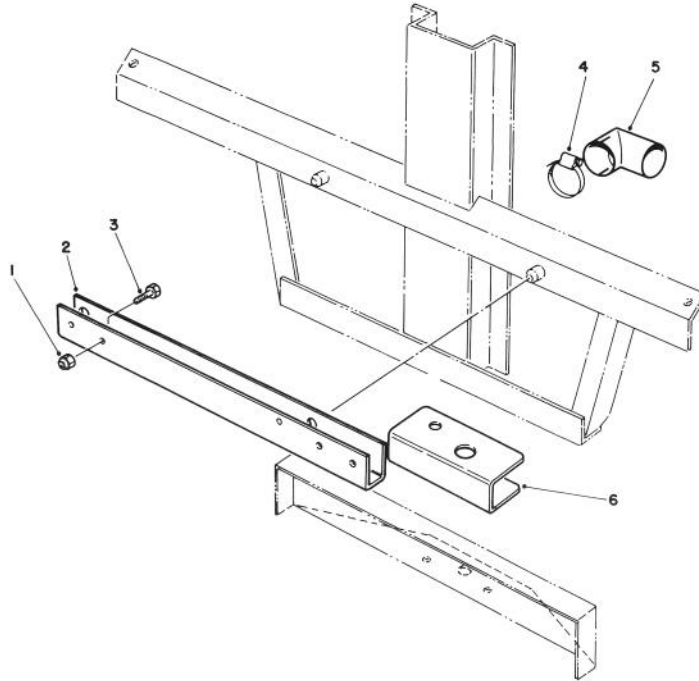
C-0206-89

38" CUTTING DECK ASSEMBLY (CONTINUED)

Ref. No.	Part No.	Description	No. Used
29	57-4600	Cover — Belt L.H.	1
30	3231-22	Carriage Bolt	2
31	55-7690	Pulley — Spindle	2
32	251-297	Bearing	6
33	54-0210	Spacing — Bearing	2
34	13-3919	Deck) 38" (Incl. Ref. #8, 13, 35, 36 & 48)	1
35	57-4860	Decal — Deck	1
36	68-3380	Decal — Wheel Adjustment	1
37	57-4700	Blade	2
38	7-3522	Cup-Anti-Scalp	2
39	47-0091	Shaft — Spindle	2
40	62-5430	Spacer — Spindle	2
41	32120-11	Ring — Retaining	2
42	68-2900	Jackshaft	1
43	5-4460	Washer — Pivot	1
44	19-1470	Bolt — Shoulder	1
45	3272-11	Cotter Pin	3

Ref. No.	Part No.	Description	No. Used
46	57-0680	Shaft — Roller	3
47	68-2990	Pulley	1
48	57-7010	Decal — Belt Routing	1
49	29-4820	Roller	3
50	57-4680	Guide — Idler Bracket	1
51	57-0690	Pin — Special	3
52	3256-27	Washer — Flat	1
53	68-2770	Bracket — Idler	1
54	32121-99	Rollpin	1
55	3296-39	Locknut	2
56	68-2730	Wheel — Gage	2
57	68-2350	Plate — Gage Wheel	2
58	283-2	Pin — Clevis	2
59	3290-467	Hairpin Cotter	2
60	60-9670	Spindle	2
61	68-2740	Spacer	1
*	68-3030	V-Belt, Drive	1

*Not Illustrated



C-0428-89

38" CUTTING UNIT KIT

(For use with Twin Bagger 16 H.P. HMR)

Ref. No.	Part No.	Description	No. Used	Ref. No.	Part No.	Description	No. Used
1	3296-29	Nut — Lock	2	5	68-3750	Elbow — Exhaust (Incl. Ref. #4)	1
2	72-9590	U — Bracket — Bagger	1	6	72-9610	Bracket — Catcher, Grass	1
3	322-3	Screw — Cap, Hex. Hd.	2	*	68-3160	Spring — Extension	1
4		Clamp	1				

*Not Illustrated

The Toro Total Coverage Guarantee

A Two Year Limited Warranty

The Toro Company promises to repair TORO Riding Mowers if defective in materials or workmanship. The following time periods from the date of purchase apply:

Residential Product 2 Years
Residential Products Used Commercially 1 Year

The costs of parts and labor are included, as are transportation costs within a 15 mile radius of the servicing dealer. Just contact any Authorized TORO Service Dealer or TORO Distributor. Should you feel your TORO Rider is defective and wish to rely on The Toro Total Coverage Guarantee, the following procedure is recommended:

1. Contact the dealer where you purchased the rider. If this is not convenient, just contact any Authorized TORO Service Dealer, TORO Master Service Dealer, or TORO Distributor (the Yellow Pages of your telephone directory is a good reference source).
2. The Service Dealer will either instruct you to return the product to him or recommend another Authorized TORO Service Outlet which might be more suitable (not all TORO Dealers are equipped to service Riding Mowers).
3. Pickup and delivery of your TORO Rider by the servicing dealer is covered up to a 15 mile radius from the dealer's place of business. Mileage charges beyond a 15 mile radius are not covered by this warranty and are the responsibility of the owner.
If you wish to bring the rider in yourself, first obtain prior approval from your dealer and the dealer will provide reasonable monetary compensation as specified by Toro.
If repairs to your rider are not covered by this warranty, transportation charges connected with repairs will be charged at the dealer's prevailing rates.
4. Please make the original sales slip, copy of the TORO Registration Card, or other evidence of purchase date available to the dealer when the unit is brought to the dealer's place of business.
The servicing dealer will inspect the unit, advise you whether the product is defective and, if so, make all repairs necessary to correct the defect without extra charge to you.

If for any reason you are dissatisfied with the dealer's analysis of the defect or the service performed, you may contact us.

Write:

TORO Customer Service Department
8111 Lyndale Avenue South
Minneapolis, MN 55420

The above remedy of product defects through repair by an Authorized TORO Service Dealer is the purchaser's sole remedy for any defect.

THERE IS NO OTHER EXPRESS WARRANTY FOR THIS PRODUCT. ALL IMPLIED WARRANTIES OF MERCHANTABILITY AND FITNESS FOR USE ARE LIMITED TO THE DURATION OF THE EXPRESS WARRANTY.

Some states do not allow limitations on how long implied warranty lasts, so the above limitation may not apply to you.

THIS WARRANTY APPLIES ONLY TO PARTS OR COMPONENTS WHICH ARE DEFECTIVE AND DOES NOT COVER REPAIRS NECESSARY DUE TO NORMAL WEAR, MISUSE, ACCIDENTS, OR LACK OF PROPER MAINTENANCE. REGULAR, ROUTINE MAINTENANCE OF THE UNIT TO KEEP IT IN PROPER OPERATING CONDITION IS THE RESPONSIBILITY OF THE OWNER.

All warranty repairs reimbursable under this warranty must be performed by an Authorized TORO Service Dealer using TORO approved replacement parts and maintenance procedures.

Repairs or attempted repairs by anyone other than an Authorized TORO Service Account are not reimbursable under The Toro Promise. In addition, these unauthorized repair attempts may result in additional malfunctions, the correction of which is not covered by warranty.

THE TORO COMPANY IS NOT LIABLE FOR INDIRECT, INCIDENTAL OR CONSEQUENTIAL DAMAGES IN CONNECTION WITH THE USE OF THE PRODUCT INCLUDING ANY COST OR EXPENSE OF PROVIDING SUBSTITUTE EQUIPMENT OR SERVICE DURING PERIODS OF MALFUNCTION OR NON-USE.

Some states do not allow the exclusion of incidental or consequential damages, so the above exclusion may not apply to you.

This warranty gives you specific legal rights, and you may also have other rights which vary from state to state.

COUNTRIES OTHER THAN THE UNITED STATES OR CANADA

Customers who have purchased TORO products exported from the United States or Canada should contact their TORO Distributor (Dealer) to obtain guarantee policies for your country, province or state. If for any reason you are

dissatisfied with your Distributor's service or have difficulty obtaining guarantee information, contact the TORO importer. If all other remedies fail, you may contact us at The Toro Company.

Compliance with Radio Interference Regulations Certified
Certifie Conforme au Reglement sur le Brouillage Radioelectrique

Litho in U.S.A.