



Workman[®] 4300-D with Bed

Model No. 07364 - 260000301 and up.

Parts Catalog

Ordering Replacement Parts

To order replacement parts, please supply the part number, the quantity, and the description of each part desired.

Understanding Reference Numbers

Each Identified part in an illustration has a reference number. The reference number for a part also appears in the parts list, along with other information about the part.

This catalog uses two special reference number formats, one to indicate parts in a service assembly and another to indicate the quantity of a given part in an illustration.

Service Assembly Reference Numbers

Parts in service assemblies have reference numbers in the form a:b. The a represents the reference number of the entire service assembly and the b represents a sequential number unique to each part within the service assembly.

For example, a wheel assembly might be identified by reference number 6, the tire by 6:1, the valve by 6:2, and the wheel by 6:3. When you order the assembly identified by reference number 6, you receive all parts identified by reference numbers 6:1, 6:2, and 6:3. However, you may also order any part individually. Reference numbers of this type appear in illustrations and in part lists.

Reference Numbers Indicating Quantity

In an illustration, if a reference number indicates more than one part, the reference number has the form nX y. The n represents the quantity of the part, the X is the multiplication symbol, and the y represents the reference number.

For example, in an illustration, the reference number 2X 37 means that two of the parts identified by reference number 37 are indicated.

Contents

| Description | Page | Description | Page |
|---|-------------|--|-------------|
| Hood and Bumper Assembly | 4 | Diesel Engine Assembly | 40 |
| Dash Panel Assembly | 5 | Engine Support Assembly | 41 |
| Steering Assembly | 6 | Transaxle Assembly | 42 |
| Steering Pump Assembly No. 106-6726 | 8 | Case Assembly Transaxle Assembly No. 105-4190 | 43 |
| Hydraulic Cylinder Assembly No. 106-6681 | 9 | Gear Shaft Assembly Transaxle Assembly No. 105-4190 | 44 |
| Brake Accelerator and Clutch Assembly | 10 | Countershaft Assembly Transaxle Assembly No. 105-4190 | 45 |
| Master Cylinder Assembly No. 104-6782 | 11 | Shift Fork Assembly Transaxle Assembly No. 105-4190 | 46 |
| Hydraulic Brake Assembly | 12 | Differential Gear Assembly Transaxle Assembly No. 105-4190 | 47 |
| Clutch Linkage Assembly | 13 | Diesel Hydraulic Filter and Relay Assembly | 48 |
| Shroud and Seat Assembly | 14 | Battery Assembly | 49 |
| LH Seat Assembly | 15 | Diesel Fuel Tank and Air Cleaner Assembly | 50 |
| RH Seat Assembly | 16 | Air Cleaner Assembly No. 106-2416 | 51 |
| Roll-Over-Protection-System Assembly | 17 | Bi-directional Over Running Clutch Assembly | 52 |
| Front Differential Assembly No. 93-7054 | 18 | Diesel Filter Assembly | 53 |
| Front Wheel Assembly | 19 | Full Bed and Side Panel Assembly | 54 |
| RH Front Brake Assembly No. 87-9170 | 20 | Cylinder Assembly | 55 |
| LH Front Brake Assembly No. 87-9180 | 21 | Crankshaft Assembly | 56 |
| Console Assembly | 22 | Cylinder Head Assembly | 57 |
| Shift Assembly No. 106-7887 | 24 | Injection Pump Assembly | 58 |
| Front Suspension Assembly | 25 | Camshaft Assembly | 59 |
| Front Control Arm Assembly | 26 | Oil Pan Assembly | 60 |
| Differential Drive Shaft Assembly No. 93-7116 | 27 | Gear Cover Assembly | 61 |
| Lift Valve and Hydraulic Assembly | 28 | Gear Housing Assembly | 62 |
| Control Valve Assembly No. 43-1950 | 30 | Water Pump Assembly | 63 |
| Hydraulic Cylinder Assembly No. 106-7939 | 31 | Manifold Assembly | 64 |
| Hydraulic Pump Assembly No. 106-6649 | 32 | Starter Motor and Alternator Assembly | 65 |
| Rear Frame Assembly | 33 | Starter Motor Assembly No. 110-2598 | 66 |
| Rear Axle Assembly | 34 | Alternator Assembly No. 99-9209 | 67 |
| RH Rear Brake Assembly No. 93-7125 | 35 | Gasket Assembly | 68 |
| Driveshaft Assembly No. 98-2918 | 36 | Attachments and Accessories List | 69 |
| Radiator and Hydraulic Pump Assembly | 37 | | |
| Fan and Hydraulic Pump Drive Assembly | 38 | | |
| Tail Light and Fender Assembly | 39 | | |

Part Description Abbreviations

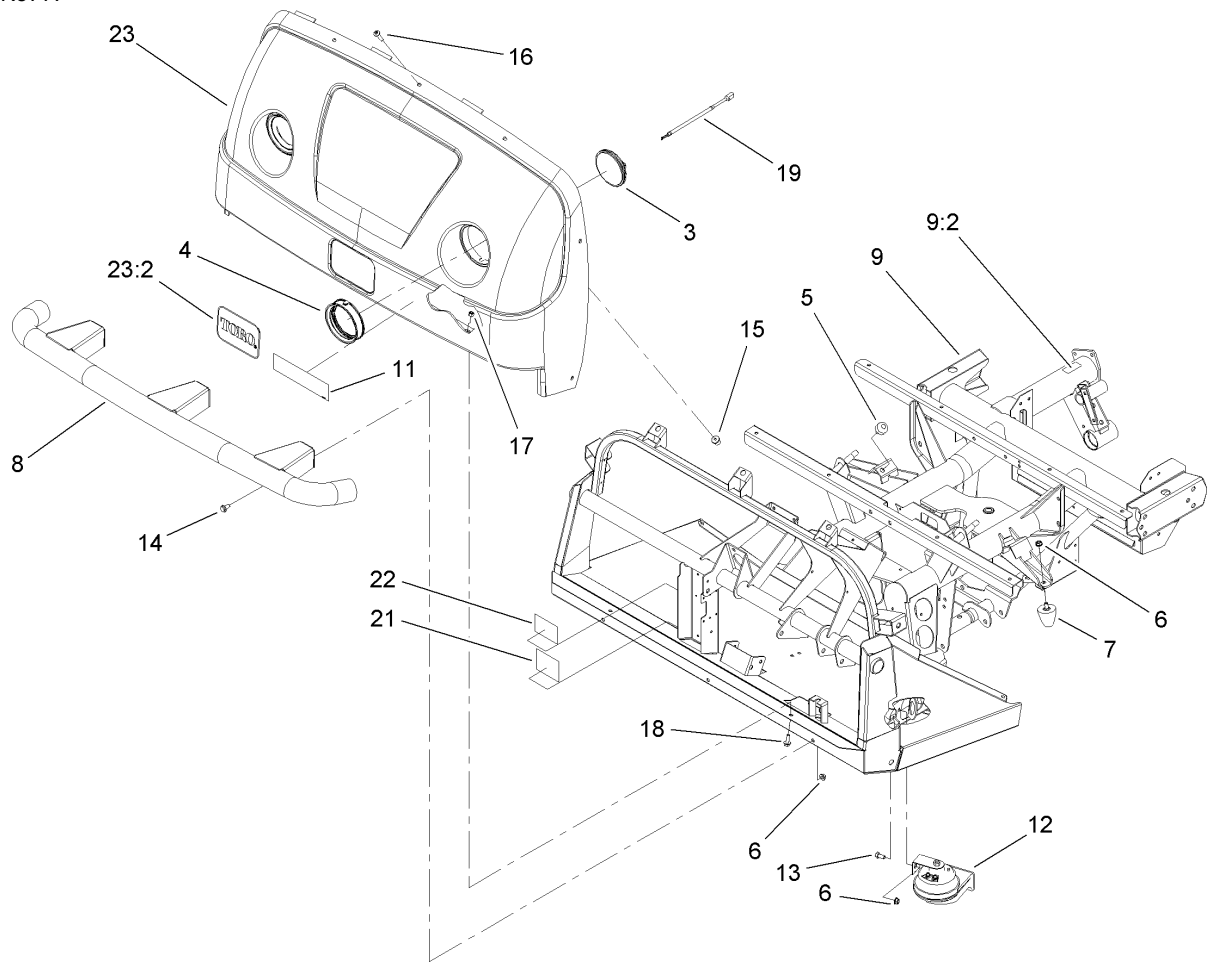
Part descriptions in this catalog may include the following abbreviations.

| | | | |
|-------------|--------------------------------|-------------|----------------------------------|
| AR. | as required | INC. | incorporated |
| ASM. | assembly | LH. | left hand |
| BBC. | blade brake clutch | NI. | nylon insert |
| CARR. | carriage | NPTF. | national pipe thread fine |
| DEG. | degrees | PFH. | phillips flat head |
| EXT. | external | PPH. | phillips pan head |
| FH. | flat head | PPHTF. | phillips pan head thread forming |
| GA. | gauge | PRH. | phillips round head |
| HF. | hex flange | PTH. | phillips truss head |
| HH. | hex head | PTO. | power-take-off |
| HHF. | hex head flange | RH. | right hand |
| HHFTF. | hex head flange thread forming | ROPS. | roll-over-protection-system |
| HJ. | hex jam | SFH. | slotted fillister head |
| HLH. | hex lag head | SHH. | slotted hex head |
| HOC. | height-of-cut | SHWH. | slotted hex washer head |
| HSBH. | hex socket button head | SPH. | slotted pan head |
| HSFH. | hex socket flat head | SQH. | square head |
| HSH. | hex socket head | SRH. | slotted round head |
| HWH. | hex washer head | STD. | standard |
| HWHTF. | hex washer head thread forming | TAP. | self tapping |
| HYD. | hydraulic | TTH. | torx truss head |

Footnotes

❶ Not illustrated

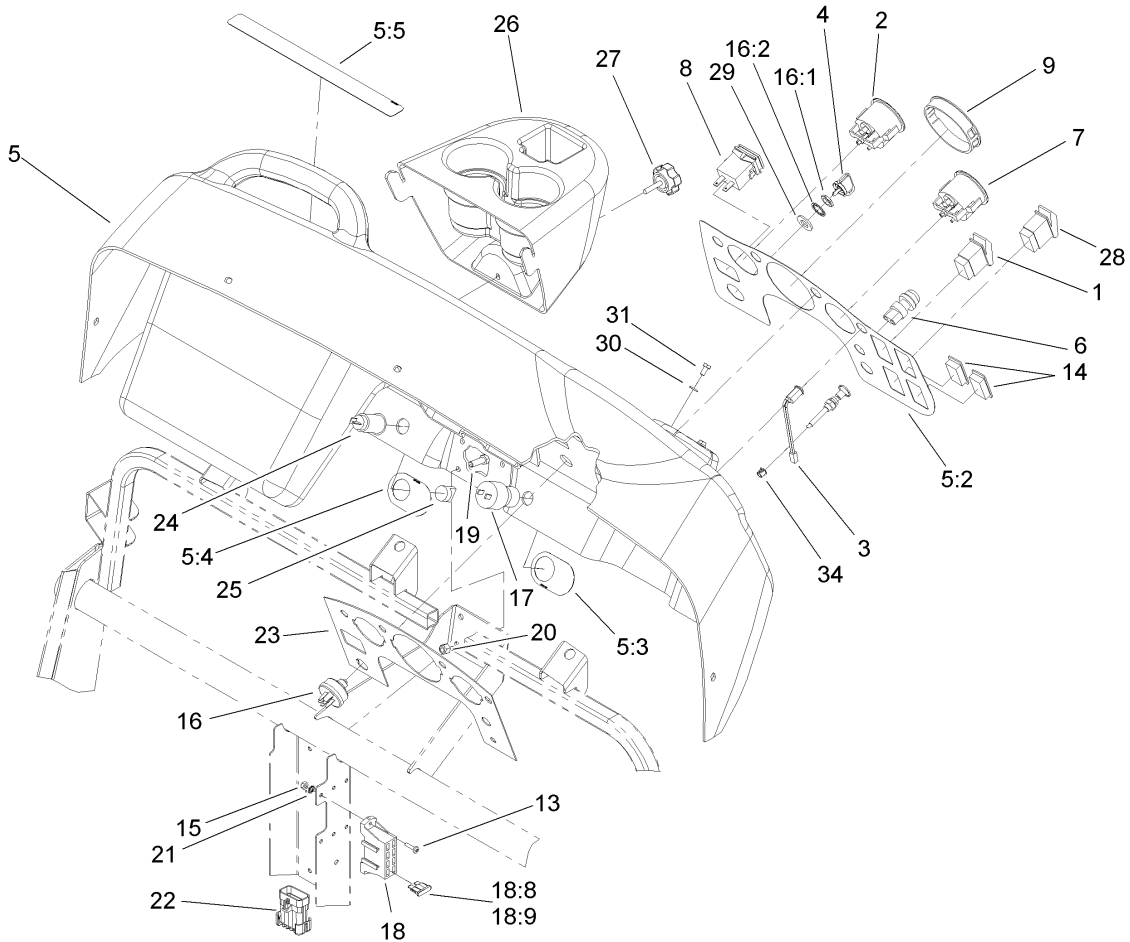
❷ Not serviced separately



Hood and Bumper Assembly

| Ref | Part No. | Qty. | Description |
|------|-------------|------|--------------------|
| 3 | 99-7310 | 2 | Headlight |
| 4 | 99-7311 | 2 | Mount-Headlight |
| 5 | 87-2440 | 2 | Bumper-Rubber |
| 6 | 3290-357 | 9 | Nut-HHF, Whiz |
| 7 | 26-0071 | 2 | Snubber-Rubber |
| 8 | 106-2369-03 | 1 | Bumper ASM |
| 9 | 106-7884 | 1 | Operator Frame ASM |
| 9:2 | 93-7814 | 1 | Decal-Danger |
| 11 | 106-2397 | 1 | Decal-Workman |
| 12 | 110-2594 | 1 | Horn ASM |
| 13 | 323-4 | 1 | Screw-HH |
| 14 | 3234-1 | 6 | Screw-HHF |
| 15 | 106-7883 | 7 | Nut-Well |
| 16 | 106-7922 | 7 | Screw-PTH |
| 17 | 3296-29 | 2 | Nut-Lock, NI |
| 18 | 3234-29 | 2 | Screw-HHF |
| 19 | 106-2401 | 2 | Harness-Headlight |
| 21 | 106-7894 | 1 | Decal-Block, Fuse |
| 22 | 106-7898 | 1 | Decal-Load Rating |
| 23 | 107-7979 | 1 | Front Hood ASM |
| 23:2 | 62-5550 | 1 | Decal |

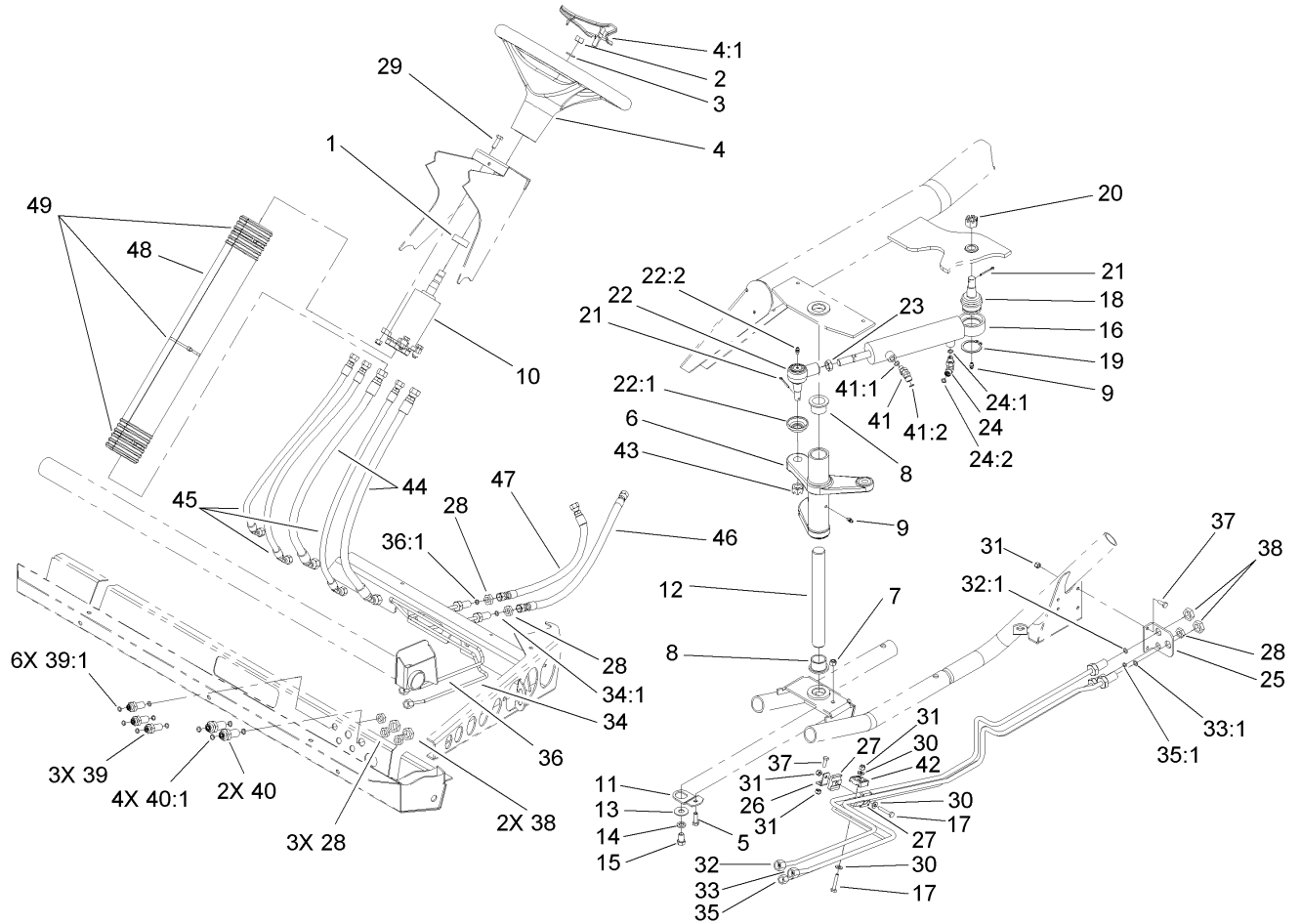
| | | | |
|--|--|--|--|
| | | | |
|--|--|--|--|



Dash Panel Assembly

| Ref | Part No. | Qty. | Description |
|------|----------|------|--------------------------|
| 1 | 95-8999 | 1 | Switch |
| 2 | 106-2406 | 1 | Gauge-Temperature |
| 3 | 95-7652 | 4 | Light-Indicator |
| 4 | 63-8360 | 1 | Key-Ignition |
| 5 | 106-7885 | 1 | Dash ASM |
| 5:2 | 106-2352 | 1 | Decal-Dash |
| 5:3 | 106-2355 | 1 | Decal-Switch, Supervisor |
| 5:4 | 106-2353 | 1 | Decal-Powerpoint |
| 5:5 | 106-2383 | 1 | Decal-Warning, Dash |
| 6 | 18-2830 | 1 | Button-Horn |
| 7 | 106-2405 | 1 | Gauge-Fuel |
| 8 | 94-4208 | 1 | Hourmeter |
| 9 | 106-2359 | 1 | Plug-Cap |
| 13 | 32105-13 | 2 | Screw-SHH |
| 14 | 99-7420 | 2 | Plug-Hole |
| 15 | 3296-2 | 2 | Nut-Lock |
| 16 | 27-2360 | 1 | Switch-Key |
| 16:1 | 218-446 | 1 | Nut-Hex |
| 16:2 | 218-447 | 1 | Washer-Lock |
| 17 | 94-5245 | 1 | Switch-Key |
| 18 | 106-7910 | 1 | Harness-Wire, Front |
| 18:8 | 218-578 | 2 | Fuse-10 Amp |
| 18:9 | 109355 | 2 | Fuse-15 Amp |
| 19 | 322-3 | 3 | Screw-HH |

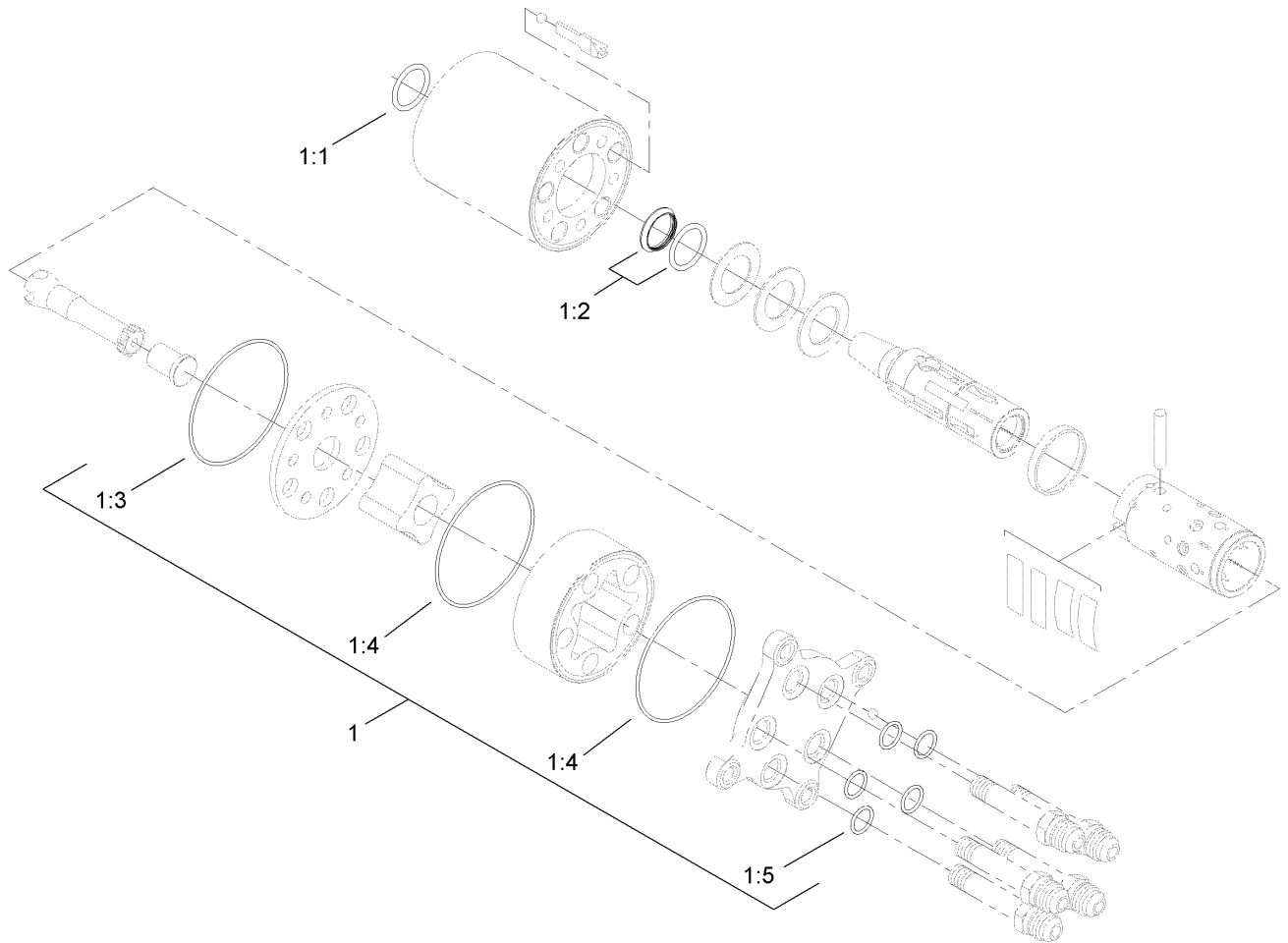
| Ref | Part No. | Qty. | Description |
|-------|-------------|------|---------------------------|
| 20 | 3296-29 | 3 | Nut-Lock, NI |
| 21 | 3255-10 | 1 | Washer-Lock / EXT |
| 22 | 110-2529 | 1 | Harness-Wire, Rear Diesel |
| ●22:1 | 100-4918 | 2 | Diode |
| 23 | 106-2360-03 | 1 | Plate-Dash |
| 24 | 99-7411 | 1 | Point-Power |
| 25 | 99-7416 | 1 | Cap |
| 26 | 106-2358 | 1 | Cover-Reservoir |
| 27 | 105-1406 | 1 | Knob |
| 28 | 106-2027 | 1 | Switch-Intermittent |
| 29 | 9202624 | 1 | Washer |
| 30 | 33093-00 | 2 | Washer-Flat |
| 31 | 33113-012 | 2 | Screw-HH |
| 34 | 104-9368 | 1 | Plug-Dome |



Steering Assembly

| Ref | Part No. | Qty. | Description |
|------|-----------|------|--------------------------|
| 1 | 21-9260 | 1 | Cover-Dust |
| 2 | 3220-6 | 1 | Nut-Jam |
| 3 | 3253-8 | 1 | Washer-Lock |
| 4 | 98-1471 | 1 | Wheel-Steering |
| 4:1 | 98-1468 | 1 | Cover-Wheel, Steering |
| 5 | 322-5 | 1 | Screw-HH |
| 6 | 106-2536 | 1 | Arm-Pitman |
| 7 | 3296-29 | 1 | Nut-Lock, NI |
| 8 | 94-1291 | 2 | Bushing |
| 9 | 302-5 | 2 | Fitting-Grease |
| 10 | 106-6726 | 1 | Steering Pump ASM |
| 11 | 106-2287 | 1 | Plate |
| 12 | 106-2271 | 1 | Shaft-Pivot |
| 13 | 3256-5 | 1 | Washer-Flat |
| 14 | 3253-6 | 1 | Washer-Lock |
| 15 | 324-2 | 1 | Screw-HH |
| 16 | 106-6681 | 1 | Hydraulic Cylinder ASM |
| 17 | 321-8 | 2 | Screw-HH |
| 18 | 106-6774 | 1 | Joint-Ball |
| 19 | 32151-104 | 1 | Ring-Retaining, External |
| 20 | 32136-14 | 1 | Nut-SHH |
| 21 | 3272-12 | 2 | Pin-Cotter |
| 22 | 106-6898 | 1 | Joint-Ball |
| 22:1 | 106-6896 | 1 | Seal |

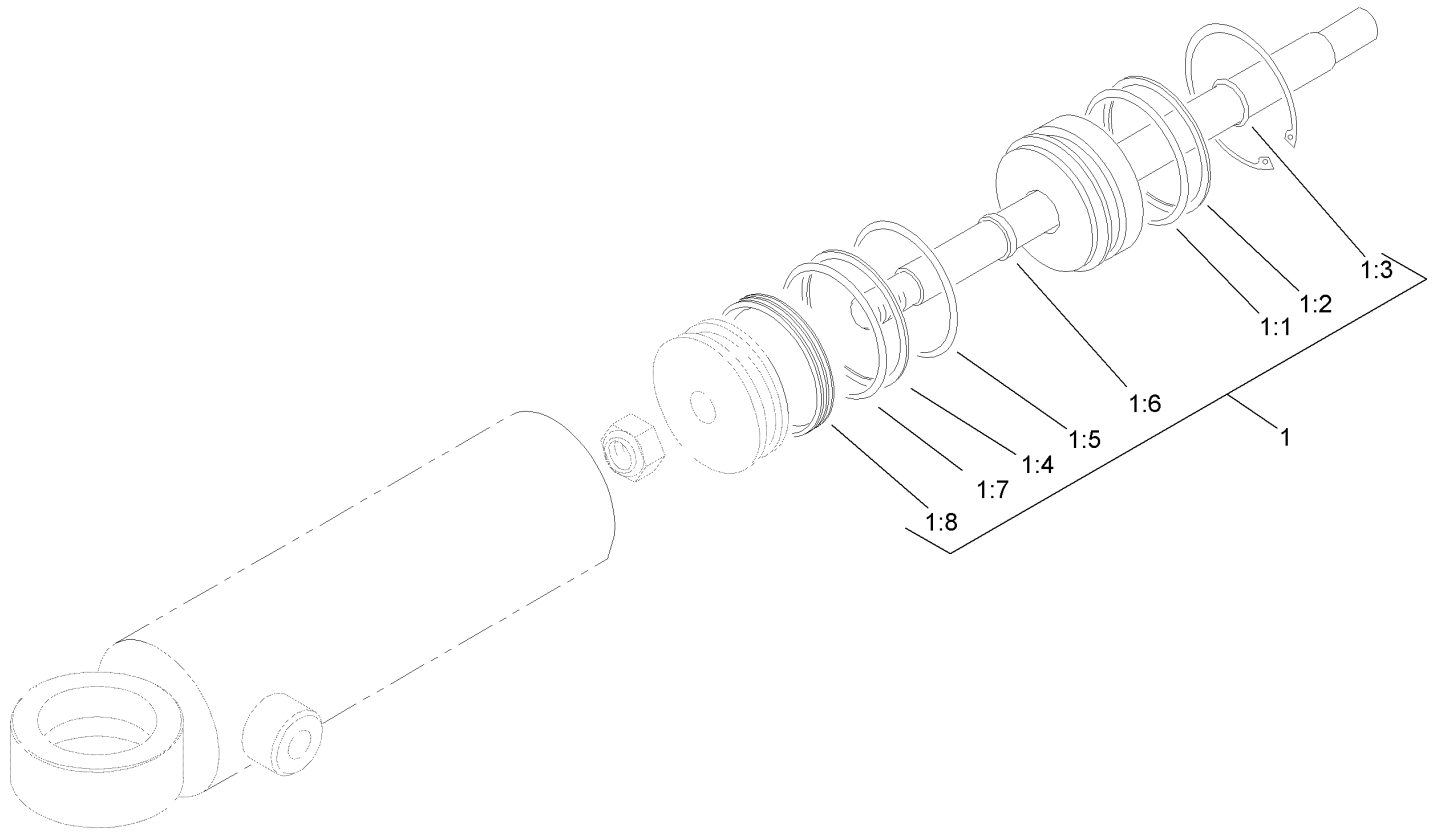
| Ref | Part No. | Qty. | Description |
|------|-------------|------|------------------------|
| 22:2 | 302-5 | 1 | Fitting-Grease |
| 23 | 3220-11 | 1 | Nut-Jam |
| 24 | 340-132 | 1 | Fitting-HYD, 90 DEG |
| 24:1 | 237-78 | 1 | O-Ring |
| 24:2 | 237-21 | 1 | O-Ring |
| 25 | 106-7801-03 | 1 | Bracket-Line, Steering |
| 26 | 106-7807 | 1 | Bracket-Line, Steering |
| 27 | 106-7839 | 2 | Clamp-Tube |
| 28 | 340-78 | 6 | Locknut-Bulkhead |
| 29 | 33114-020 | 4 | Screw-HH |
| 30 | 3256-22 | 3 | Washer-Flat |
| 31 | 3296-42 | 5 | Nut-Lock, NI |
| 32 | 108-6938 | 1 | Tube-HYD |
| 32:1 | 237-22 | 1 | O-Ring |
| 33 | 108-6939 | 1 | Tube-HYD |
| 33:1 | 237-22 | 1 | O-Ring |
| 34 | 106-7804 | 1 | Tube-HYD |
| 34:1 | 237-21 | 1 | O-Ring |
| 35 | 108-6940 | 1 | Tube-HYD |
| 35:1 | 237-21 | 1 | O-Ring |
| 36 | 106-7806 | 1 | Tube-HYD |
| 36:1 | 237-21 | 1 | O-Ring |
| 37 | 321-4 | 3 | Screw-HH |
| 38 | 340-70 | 4 | Nut-Lock |



Steering Pump Assembly No. 106-6726

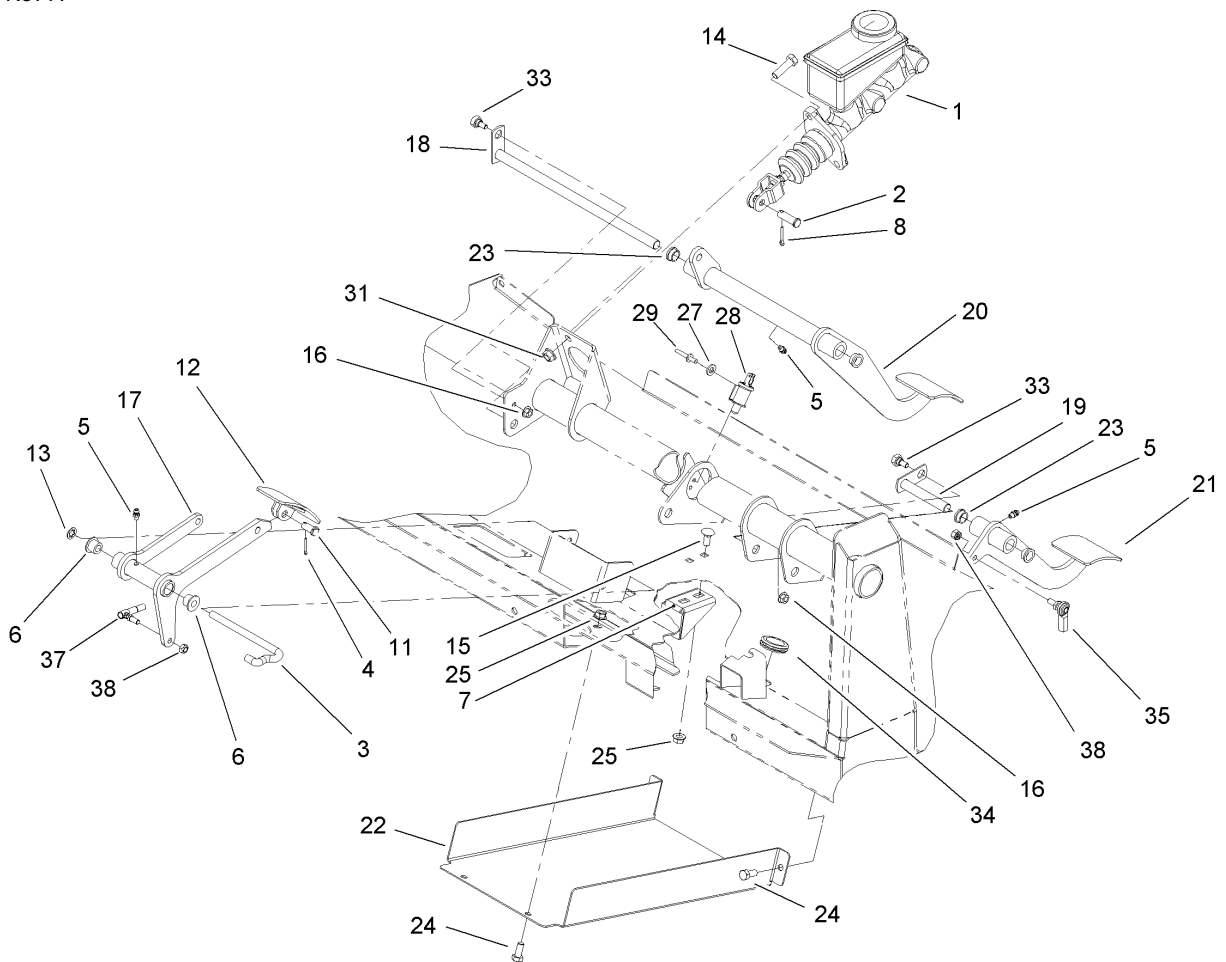
| Ref | Part No. | Qty. | Description |
|-------|----------|------|-----------------|
| 1 | 106-6716 | 1 | Seal Kit |
| ② 1:1 | | 1 | Ring-Seal, Dust |
| ② 1:2 | | 1 | Seal-Shaft |
| ② 1:3 | | 1 | O-Ring |
| ② 1:4 | | 2 | O-Ring |
| ② 1:5 | | 5 | O-Ring |

| | | | |
|--|--|--|--|
| | | | |
|--|--|--|--|



Hydraulic Cylinder Assembly No. 106-6681

| Ref | Part No. | Qty. | Description |
|-----|----------|------|-------------|
| 1 | 106-6712 | 1 | Seal Kit |
| 1:1 | | 1 | O-Ring |
| 1:2 | | 1 | O-Ring |
| 1:3 | | 1 | Wiper |
| 1:4 | | 1 | O-Ring |
| 1:5 | | 1 | Back-Up |
| 1:6 | | 1 | Seal |
| 1:7 | | 1 | Seal |
| 1:8 | | 1 | Ring-Wear |



Brake Accelerator and Clutch Assembly

| Ref | Part No. | Qty. | Description |
|-----|-------------|------|--------------------------|
| 1 | 104-6782 | 1 | Cylinder-Master |
| 2 | 283-2 | 1 | Pin-Clevis |
| 3 | 87-2880 | 1 | Shaft-Pedal, Accelerator |
| 4 | 3272-6 | 1 | Pin-Cotter |
| 5 | 302-5 | 3 | Fitting-Grease |
| 6 | 256-259 | 2 | Bushing-Flange |
| 7 | 106-2421 | 1 | Bracket-Mount, Cable |
| 8 | 3272-10 | 1 | Pin-Cotter |
| 11 | 283-85 | 1 | Pin-Clevis |
| 12 | 93-8969-03 | 1 | Pedal |
| 13 | 32151-56 | 1 | Ring-Retaining, External |
| 14 | 323-7 | 2 | Screw-HH |
| 15 | 3230-1 | 2 | Bolt-CARR |
| 16 | 32128-33 | 2 | Nut-HF |
| 17 | 106-2471-03 | 1 | Arm-Pedal, Accelerator |
| 18 | 106-2475 | 1 | Brake Shaft ASM |
| 19 | 106-2476 | 1 | Clutch Shaft ASM |
| 20 | 106-2461-03 | 1 | Brake Pedal ASM |
| 21 | 106-2457-03 | 1 | Clutch Pedal ASM |
| 22 | 106-2427-03 | 1 | Cover |
| 23 | 256-156 | 4 | Bushing-Flange |
| 24 | 322-3 | 4 | Screw-HH |
| 25 | 32128-20 | 6 | Nut-HF |
| 27 | 3256-21 | 2 | Washer-Flat |

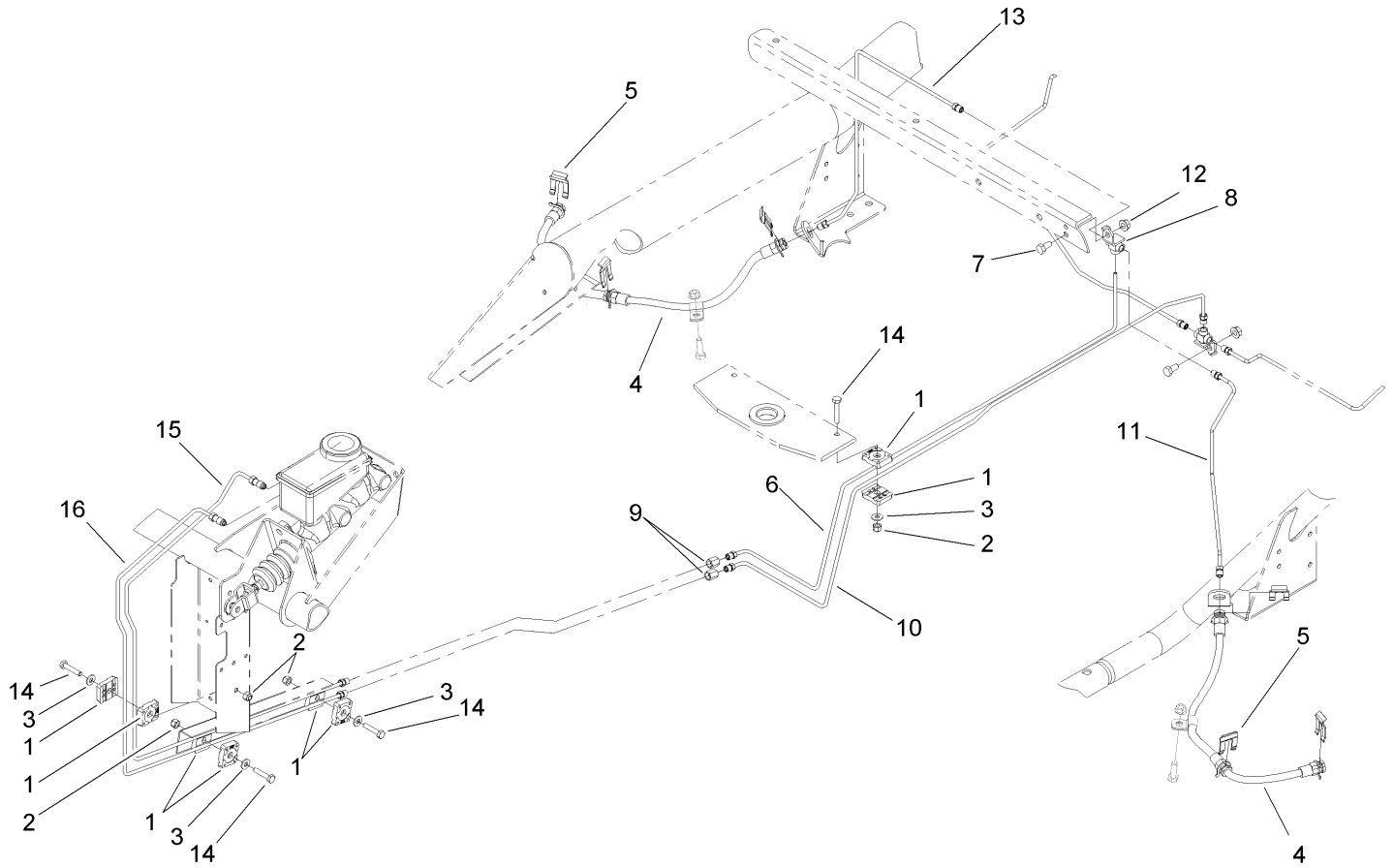
| Ref | Part No. | Qty. | Description |
|-----|----------|------|-------------------------|
| 28 | 95-1653 | 1 | Switch-Pole, Single |
| 29 | 3290-382 | 2 | Rivet-Pop |
| 31 | 3290-357 | 2 | Nut-HHF, Whiz |
| 33 | 63-3410 | 2 | Screw-Shoulder |
| 34 | 240-5 | 1 | Grommet |
| 35 | 110-2554 | 1 | Rod End-Spherical |
| 37 | 18-1720 | 1 | Governor Ball Joint ASM |
| 38 | 3296-13 | 2 | Nut-Lock NI |



Master Cylinder Assembly No. 104-6782

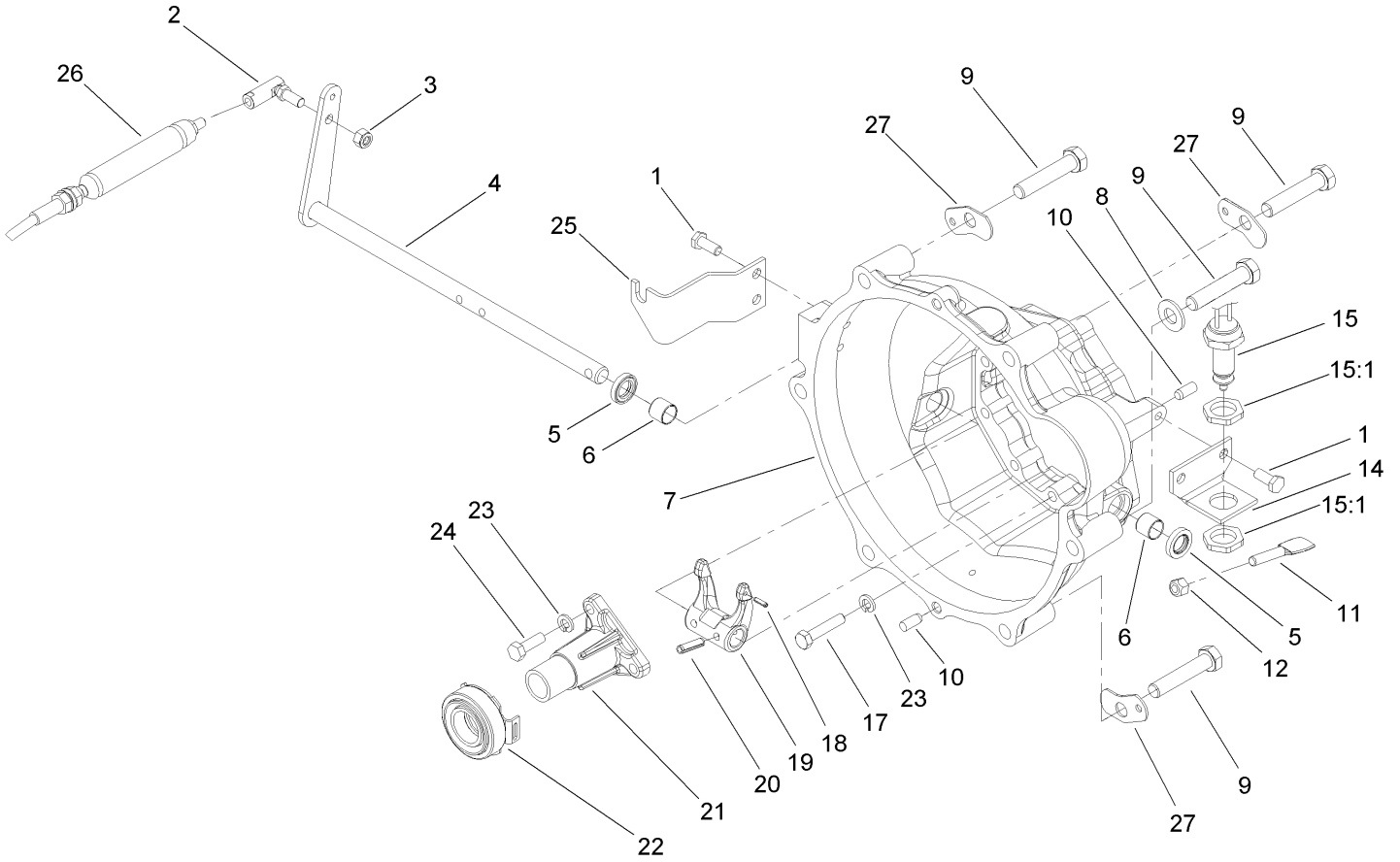
| Ref | Part No. | Qty. | Description |
|-----|----------|------|----------------------|
| 1 | 104-6845 | 1 | Reservoir ASM |
| 1:1 | 92-4112 | 1 | Cap ASM |
| 2 | 93-8971 | 2 | Seal-Port, Flange |
| 3 | 92-4103 | 1 | Pin-Stop |
| 4 | 92-4102 | 1 | Secondary Piston ASM |
| 5 | 92-4110 | 1 | Clevis |
| 6 | 21-0360 | 1 | Nut-Hex |
| 7 | 94-5209 | 1 | Cover-Dust |
| 8 | 94-5210 | 1 | Rod-Push |
| 9 | 92-4109 | 1 | Ring-Snap |
| 10 | 92-4108 | 1 | Retainer-Washer |
| 11 | 92-4101 | 1 | Primary Piston ASM |

| | | | |
|--|--|--|--|
| | | | |
|--|--|--|--|



Hydraulic Brake Assembly

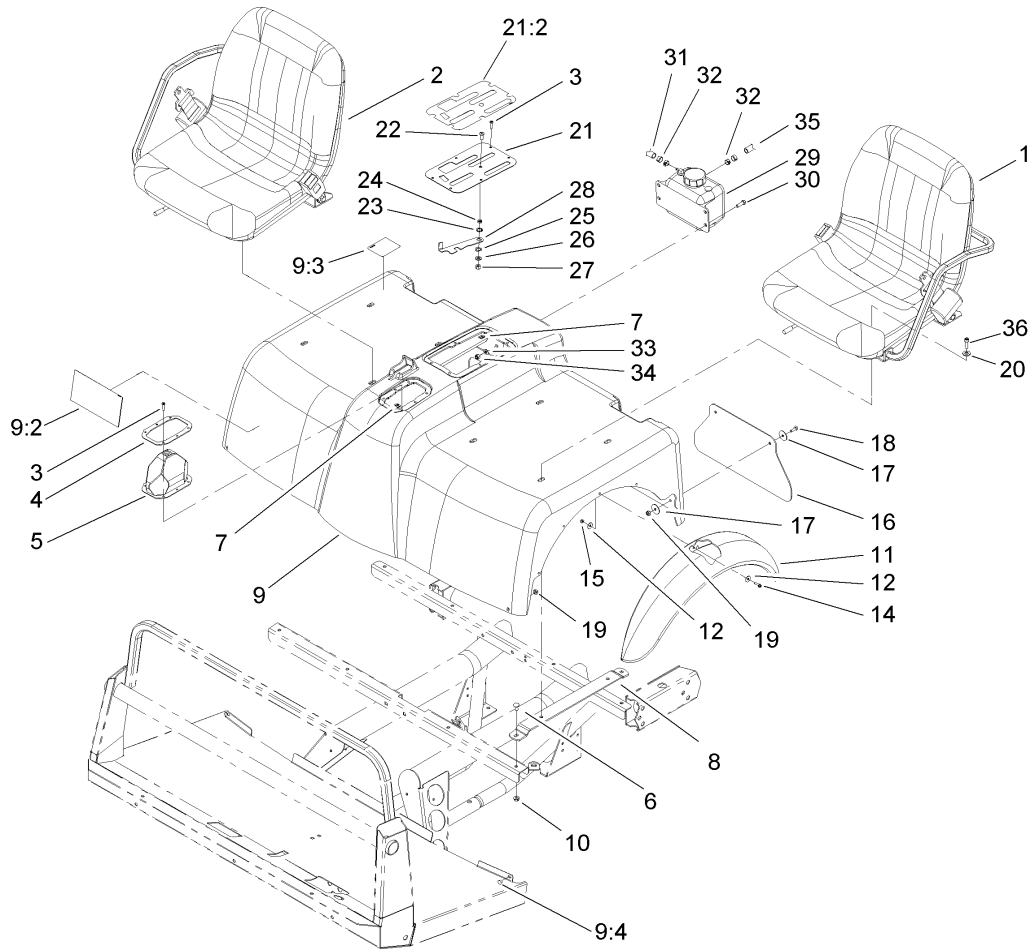
| Ref | Part No. | Qty. | Description | | | | |
|-----|----------|------|----------------------|--|--|--|--|
| 1 | 87-7660 | 8 | Clamp-Tube | | | | |
| 2 | 3296-42 | 4 | Nut-Lock, NI | | | | |
| 3 | 3256-22 | 4 | Washer-Flat | | | | |
| 4 | 93-7059 | 2 | Front Brake Hose ASM | | | | |
| 5 | 87-3580 | 2 | Clip-Retainer | | | | |
| 6 | 106-6686 | 1 | Tube ASM | | | | |
| 7 | 322-2 | 1 | Screw-HH | | | | |
| 8 | 87-3560 | 1 | Tee | | | | |
| 9 | 87-3570 | 2 | Union | | | | |
| 10 | 106-6687 | 1 | Tube ASM | | | | |
| 11 | 106-6688 | 1 | Tube ASM | | | | |
| 12 | 32128-20 | 1 | Nut-HF | | | | |
| 13 | 106-6689 | 1 | Tube ASM | | | | |
| 14 | 321-8 | 4 | Screw-HH | | | | |
| 15 | 106-6683 | 1 | Tube ASM | | | | |
| 16 | 106-6684 | 1 | Tube ASM | | | | |



Clutch Linkage Assembly

| Ref | Part No. | Qty. | Description |
|------|-----------|------|--------------------------|
| 1 | 33114-020 | 4 | Screw-HH |
| 2 | 2411-33 | 1 | Balljoint-RH (W/Grommet) |
| 3 | 3296-4 | 1 | Nut-Lock |
| 4 | 105-1702 | 1 | Release Shaft ASM |
| 5 | 87-1920 | 2 | Seal-Oil |
| 6 | 87-3770 | 2 | Bushing-Housing, Bell |
| 7 | 104-9249 | 1 | Housing-Bell |
| 8 | 3256-26 | 3 | Washer-Flat |
| 9 | 3215-2 | 6 | Screw-HH |
| 10 | 87-1910 | 4 | Pin-Dowel |
| 11 | 87-5360 | 1 | Paddle-Clutch, Switch |
| 12 | 3296-29 | 1 | Nut-Lock, NI |
| 14 | 87-5350 | 1 | Bracket-Clutch, Switch |
| 15 | 87-5490 | 1 | Switch-Clutch |
| 15:1 | 3218-20 | 2 | Nut-Jam |
| 17 | 33114-040 | 9 | Screw-HH |
| 18 | 32121-7 | 1 | Pin-Roll, Slotted |
| 19 | 87-5300 | 1 | Fork-Clutch |
| 20 | 32121-24 | 2 | Pin-Spring |
| 21 | 87-5320 | 1 | Release-Guide |
| 22 | 110-2538 | 1 | Bearing-Release, Clutch |
| 23 | 3253-4 | 12 | Washer-Lock |
| 24 | 33114-025 | 3 | Screw-HH |
| 25 | 106-2523 | 1 | Bracket-Clutch |

| Ref | Part No. | Qty. | Description |
|-----|----------|------|-----------------|
| 26 | 110-2548 | 1 | Cable-Clutch |
| 27 | 87-6410 | 3 | Bracket-Harness |



Shroud and Seat Assembly

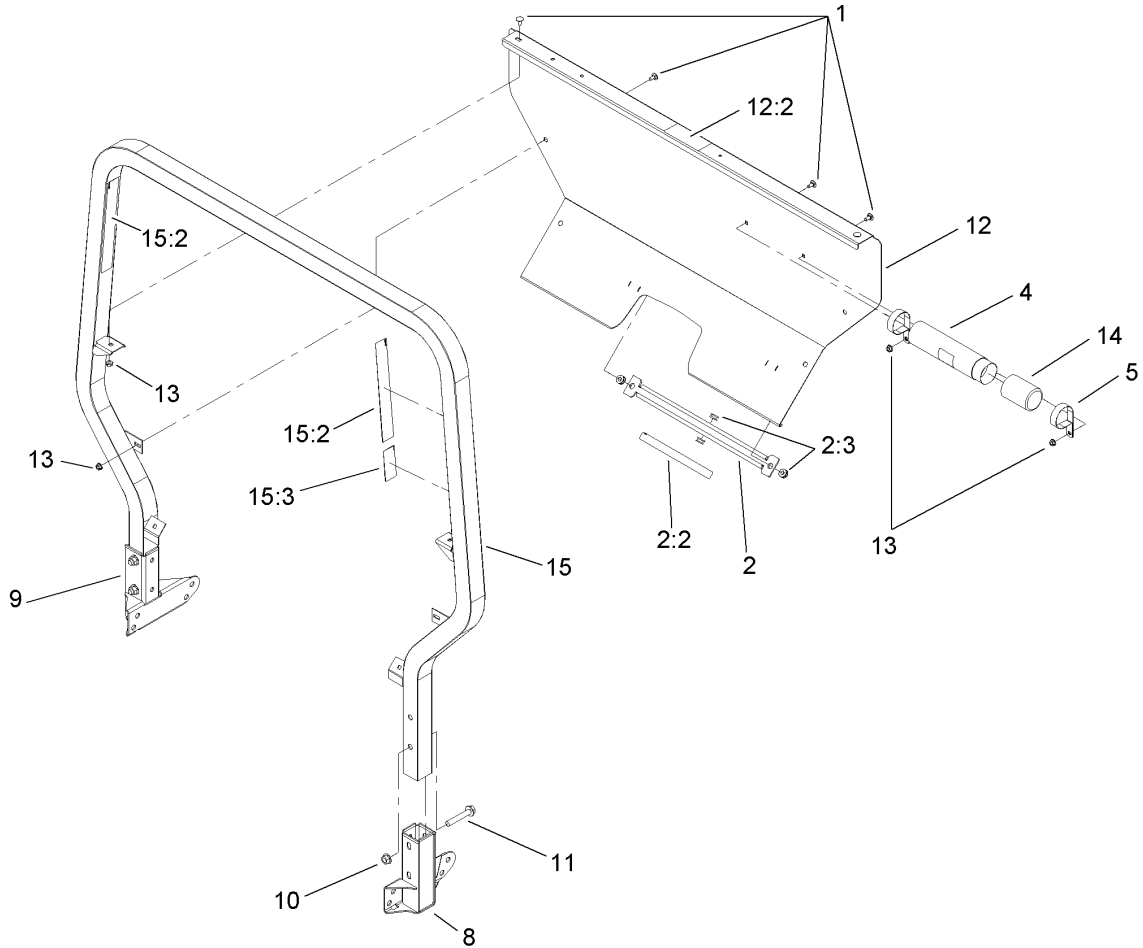
| Ref | Part No. | Qty. | Description |
|------|-------------|------|------------------------|
| ②1 | | 1 | LH Seat ASM |
| ②2 | | 1 | RH Seat ASM |
| 3 | 32144-36 | 12 | Screw-PPH |
| 4 | 87-3760-03 | 1 | Plate-Boot, Shift |
| 5 | 87-8620 | 1 | Shift Boot ASM |
| 6 | 3230-1 | 8 | Bolt-CARR |
| 7 | 106-2388 | 12 | Clip-Fastener |
| 8 | 107-7957-03 | 4 | Seat Bracket ASM |
| 9 | 106-2362 | 1 | Seatbase ASM |
| 9:2 | 106-2384 | 1 | Decal-Reference, Quick |
| 9:3 | 93-9448 | 1 | Decal-Fuel |
| 9:4 | 107-8042 | 2 | Bumper-Rubber |
| 10 | 104-8300 | 8 | Nut-Flange, NI |
| 11 | 106-2375 | 2 | Fender-Front |
| 12 | 3256-61 | 20 | Washer-Flat |
| 14 | 32105-13 | 10 | Screw-SHH |
| 15 | 3296-2 | 10 | Nut-Lock |
| 16 | 106-2378 | 2 | Mudflap |
| 17 | 3256-55 | 8 | Washer-Flat |
| 18 | 321-4 | 4 | Screw-HH |
| 19 | 3296-16 | 4 | Nut-Lock, NI |
| 20 | 3256-74 | 8 | Washer-Flat |
| 21 | 106-7886 | 1 | Control Plate ASM |
| 21:2 | 106-2377 | 1 | Decal-Console |

| Ref | Part No. | Qty. | Description |
|-----|-------------|------|-------------------|
| 22 | 3274-55 | 1 | Screw-HSBH |
| 23 | 82-4240 | 1 | Spacer-Bearing |
| 24 | 94-8196 | 1 | Washer-Nylon |
| 25 | 3290-221 | 1 | Washer-Spring |
| 26 | 3256-23 | 1 | Washer-Flat |
| 27 | 3296-29 | 1 | Nut-Lock, NI |
| 28 | 106-7984-03 | 1 | Lever-Detent |
| 29 | 87-3710 | 1 | Reservoir-Coolant |
| 30 | 322-5 | 4 | Screw-HH |
| 31 | 110-4104 | 1 | Hose-Fuel |
| 32 | 92-2379 | 2 | Clamp-Hose |
| 33 | 3256-23 | 4 | Washer-Flat |
| 34 | 3296-29 | 4 | Nut-Lock, NI |
| 35 | 110-6186 | 1 | Hose-Fuel |
| 36 | 3274-22 | 8 | Screw-HSH |



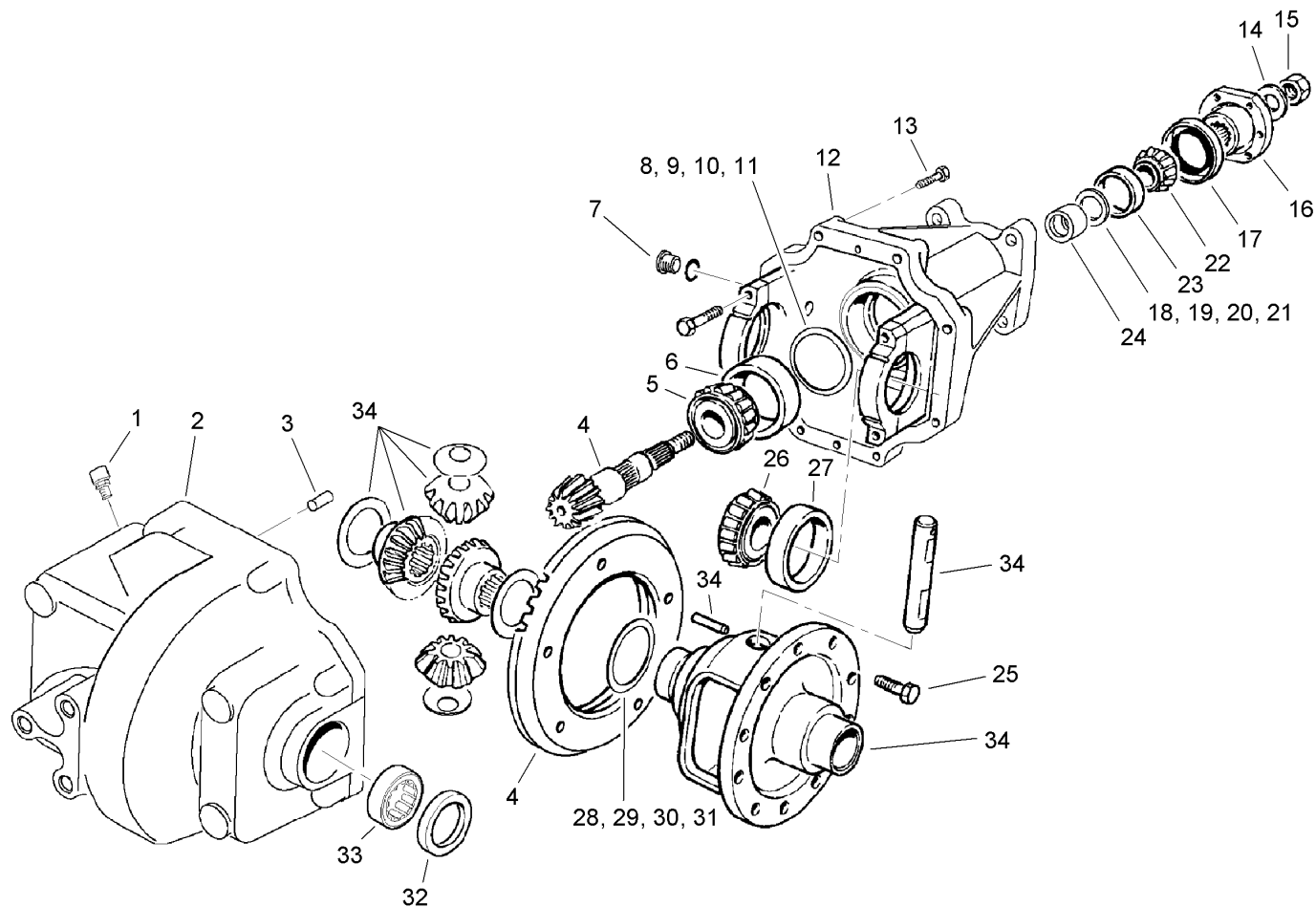
RH Seat Assembly

| Ref | Part No. | Qty. | Description |
|-----|----------|------|-------------------------|
| 1 | 106-6672 | 1 | Seat |
| 2 | 106-7844 | 1 | RH Armrest ASM |
| 3 | 106-7845 | 1 | Bracket-Belt, Seat |
| 4 | 106-7847 | 1 | Adjuster-Seat, W/Handle |
| 5 | 107-7959 | 1 | Adjuster-Slave, 7 Inch |
| 6 | 106-7848 | 1 | Seat Belt ASM |
| 7 | 80-7730 | 1 | Spacer |
| 8 | 3234-29 | 6 | Screw-HHF |
| 10 | 3212-4 | 2 | Screw-HH |
| 11 | 3296-7 | 2 | Nut-Lock |
| 12 | 106-7953 | 2 | Grip-Gray |



Roll-Over-Protection-System Assembly

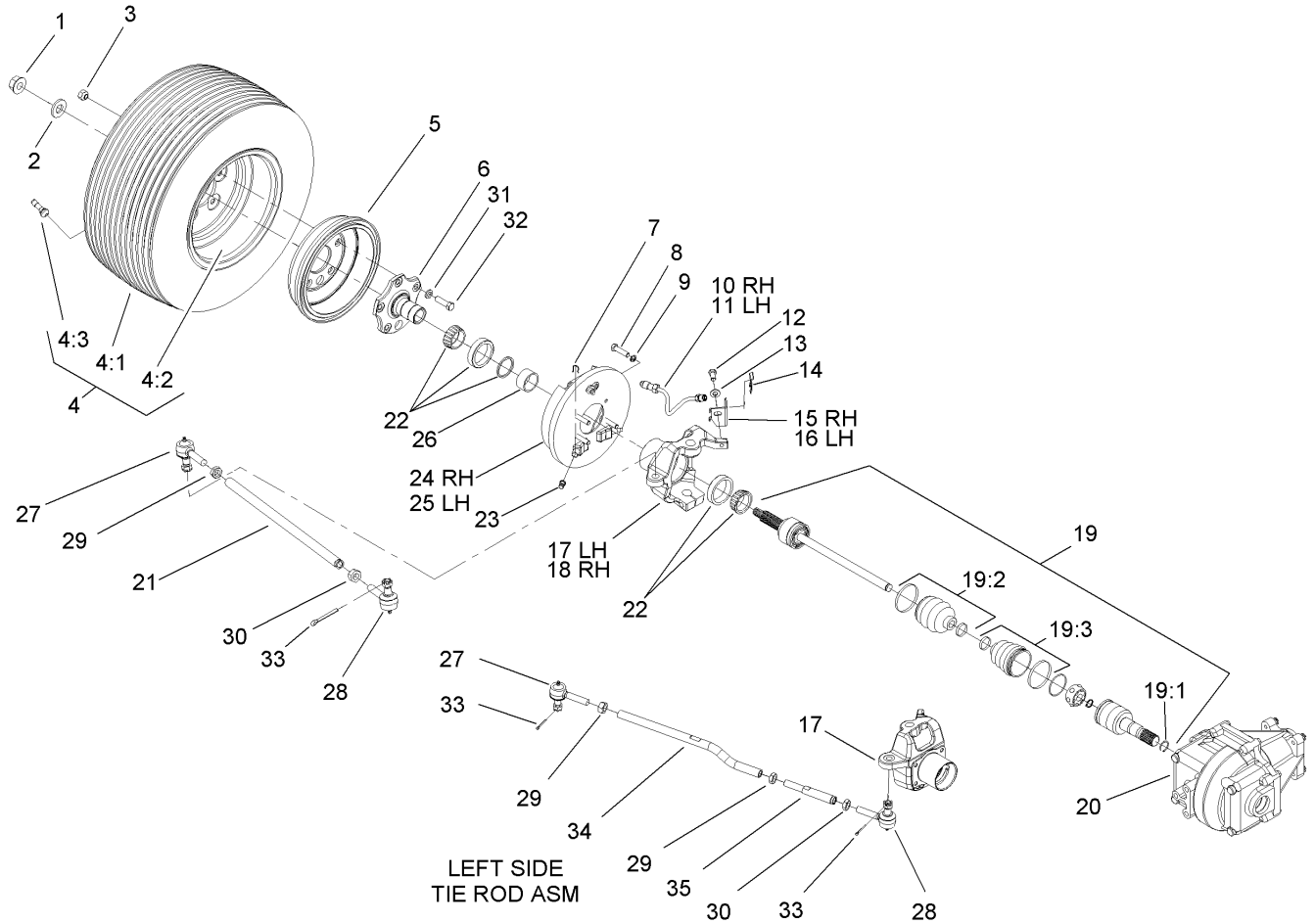
| Ref | Part No. | Qty. | Description | | | | |
|------|------------|------|-----------------|--|--|--|--|
| 1 | 3230-18 | 8 | Screw-CARR | | | | |
| 2 | 105-7960 | 1 | Bed Support ASM | | | | |
| 2:2 | 93-9852 | 1 | Decal-Warning | | | | |
| 2:3 | 92-5972 | 4 | Grommet-Rubber | | | | |
| 4 | 104-7050 | 1 | Housing-Manual | | | | |
| 5 | 2412-133 | 2 | R-Clamp | | | | |
| 8 | 87-6950-03 | 1 | LH Receiver ASM | | | | |
| 9 | 87-6960-03 | 1 | RH Receiver ASM | | | | |
| 10 | 32128-23 | 4 | Nut-HF | | | | |
| 11 | 3234-40 | 4 | Screw-HF | | | | |
| 12 | 106-2409 | 1 | ROPS Cover ASM | | | | |
| 12:2 | 105-4215 | 1 | Decal-Caution | | | | |
| 13 | 32128-20 | 8 | Nut-HF | | | | |
| 14 | 104-7048 | 1 | Cap-Housing | | | | |
| 15 | 106-2412 | 1 | ROPS ASM | | | | |
| 15:2 | 106-7767 | 2 | Decal-ROPS | | | | |
| 15:3 | 93-9850 | 1 | Decal-Roll Over | | | | |



Front Differential Assembly No. 93-7054

| Ref | Part No. | Qty. | Description |
|-----|----------|------|----------------------------|
| 1 | 93-8910 | 1 | Vent |
| 2 | 93-8908 | 1 | Housing-Axle |
| 3 | 21-8270 | 2 | Pin-Dowel |
| 4 | 93-3618 | 1 | Gear And Pinion ASM |
| 5 | 43-6760 | 1 | Bearing-Roller, Cone Taper |
| 6 | 43-6750 | 1 | Bearing-Taper, Cup |
| 7 | 93-8916 | 2 | Plug-Hex Socket |
| 8 | 43-6710 | 1 | Shim-Pinion (.003) |
| 9 | 43-6711 | 1 | Shim-Pinion (.005) |
| 10 | 43-6712 | 1 | Shim-Pinion (.010) |
| 11 | 43-6713 | 1 | Shim-Pinion (.030) |
| 12 | 93-8900 | 1 | Carrier ASM |
| 13 | 93-8909 | 8 | Screw-Flange Hd |
| 14 | 71-4340 | 1 | Washer |
| 15 | 71-4350 | 1 | Nut |
| 16 | 93-8903 | 1 | Companion Flange |
| 17 | 71-4330 | 1 | Seal |
| 18 | 93-8904 | 1 | Shim-Adj, .003 Thk |
| 19 | 93-8905 | 1 | Shim-Adj, .005 Thk |
| 20 | 93-8906 | 1 | Shim-Adj, .010 Thk |
| 21 | 93-8907 | 1 | Shim-Adj, .030 Thk |
| 22 | 254-91 | 1 | Cone-Bearing |
| 23 | 254-90 | 1 | Bearing-Cup |
| 24 | 93-8902 | 1 | Spacer-Bearing, Pinion |

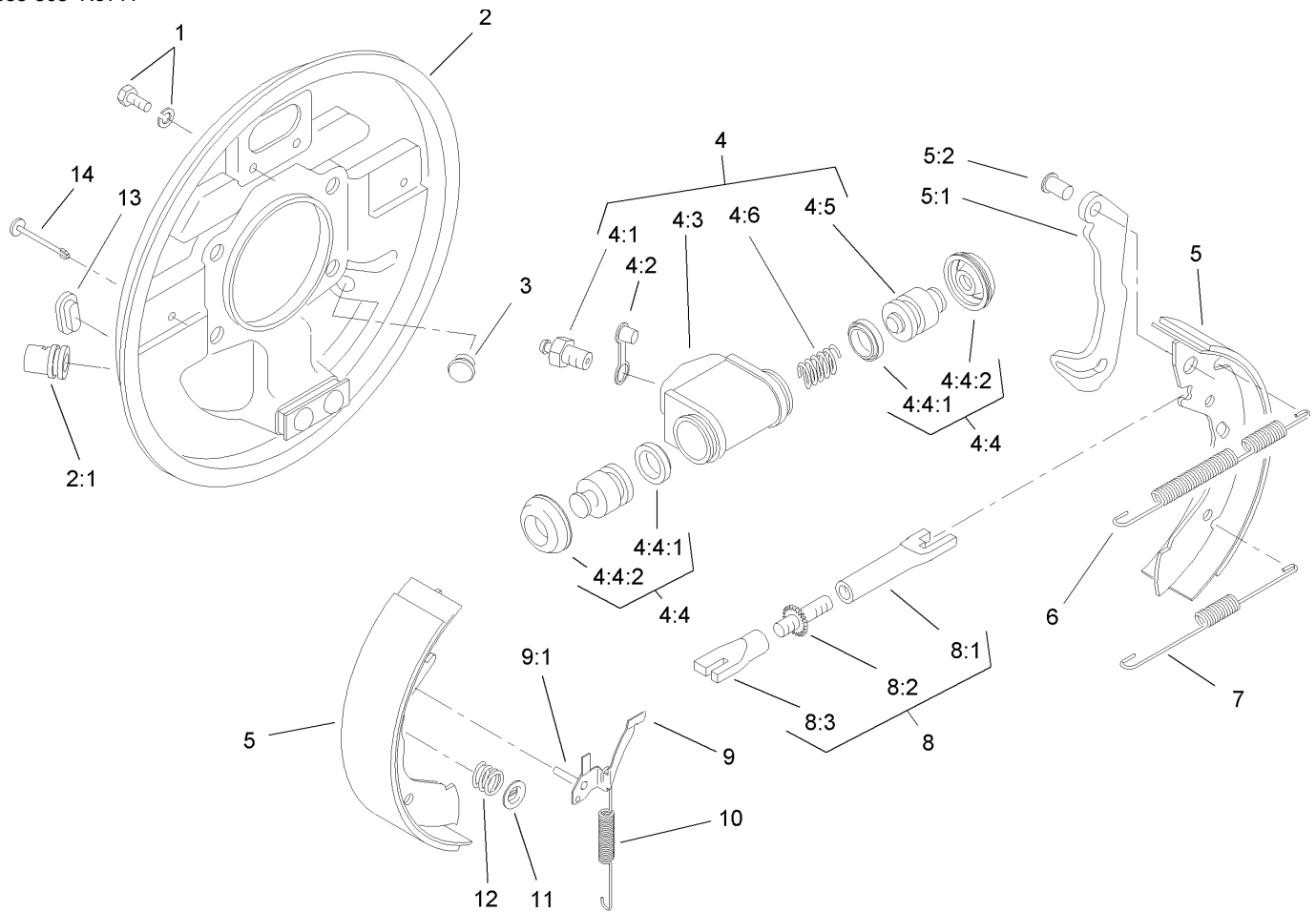
| Ref | Part No. | Qty. | Description |
|-----|----------|------|----------------------------|
| 25 | 21-7770 | 5 | Screw-Gear, Drive |
| 26 | 254-65 | 2 | Cone-Bearing, Roller |
| 27 | 254-66 | 2 | Cup-Bearing, Roller |
| 28 | 21-8090 | 1 | Shim-Bearing, Diff. (.003) |
| 29 | 21-8100 | 1 | Shim-Bearing, Diff. (.005) |
| 30 | 21-8110 | 1 | Shim-Bearing, Diff. (.010) |
| 31 | 21-8120 | 1 | Shim-Bearing, Diff. (.030) |
| 32 | 93-8918 | 2 | Seal-Oil |
| 33 | 93-8917 | 2 | Bearing-Needle |
| 34 | 93-8901 | 1 | Differential Case ASM |



Front Wheel Assembly

| Ref | Part No. | Qty. | Description |
|------|------------|------|------------------------|
| 1 | 32128-53 | 2 | Nut-Hex Flange |
| 2 | 87-3060 | 2 | Washer-Hardened |
| 3 | 23-7270 | 10 | Nut-Wheel |
| 4 | | 2 | Tire And Wheel ASM |
| 4:1 | 112-2984 | 1 | Tire |
| 4:2 | 87-5720 | 1 | Front Rim ASM |
| 4:3 | 232-27 | 1 | Stem-Valve |
| 5 | 93-7128 | 2 | Drum-Brake |
| 6 | 87-9190-03 | 2 | Axle-Stub |
| 7 | 87-3310 | 2 | Clip-Cable, Brake |
| 8 | 323-6 | 8 | Screw-HH |
| 9 | 3253-21 | 8 | Washer-Lock |
| 10 | 93-7080 | 1 | RH Brake Tube ASM |
| 11 | 93-7079 | 1 | LH Brake Tube ASM |
| 12 | 323-4 | 2 | Screw-HH |
| 13 | 3256-24 | 2 | Washer-Flat |
| 14 | 87-3580 | 2 | Clip-Retainer |
| 15 | 93-7071 | 1 | Bracket-Brake Hose, RH |
| 16 | 93-7058 | 1 | Bracket-Brake Hose, LH |
| 17 | 108-6944 | 1 | Spindle-4Wd, LH |
| 18 | 106-2540 | 1 | Housing-Axle, RH |
| 19 | 106-6710 | 2 | Cv Joint ASM |
| 19:1 | 107-2890 | 1 | Circlip |
| 19:2 | 107-2891 | 1 | Outboard Boot Kit |

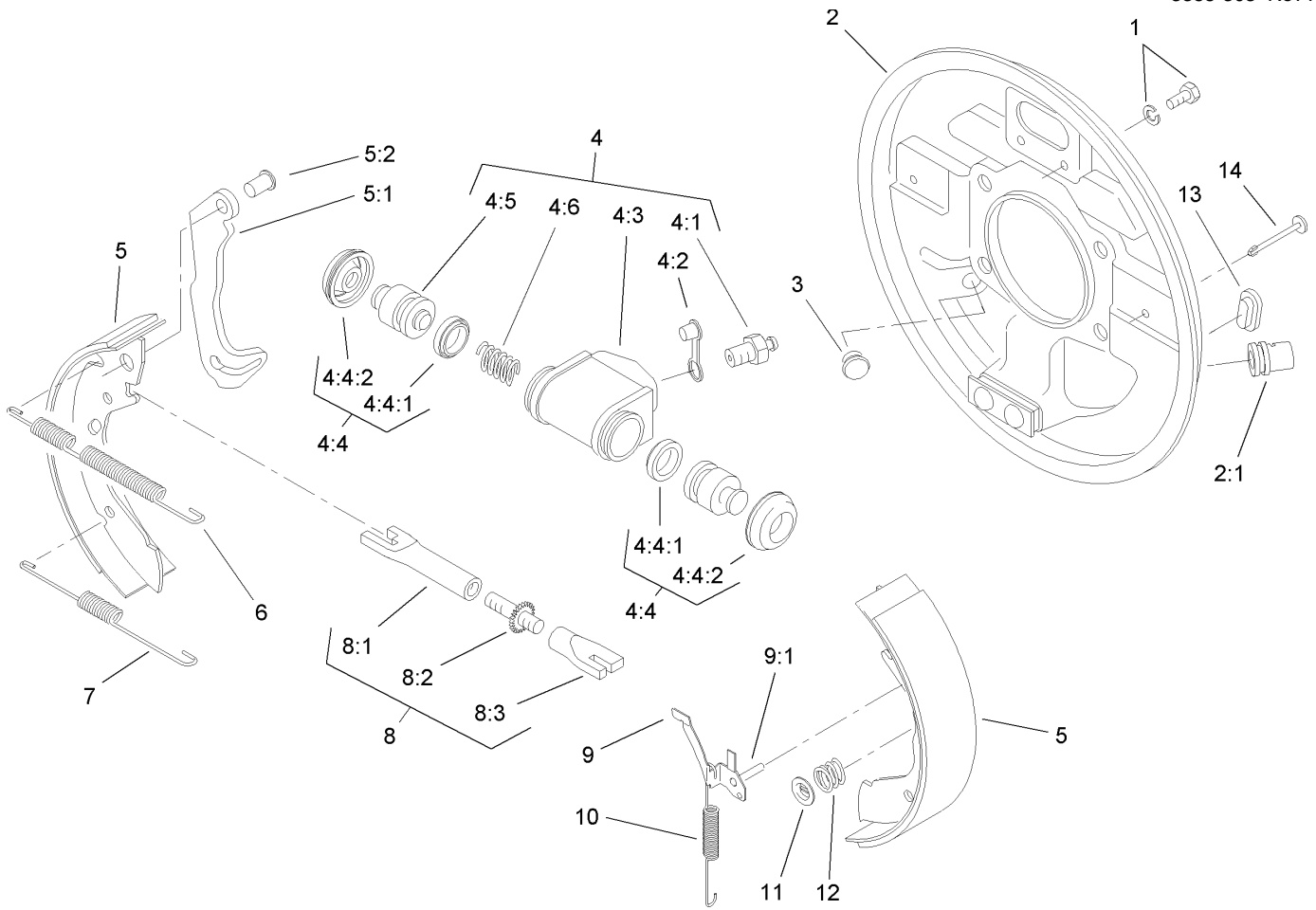
| Ref | Part No. | Qty. | Description |
|------|----------|------|---------------------------|
| 19:3 | 107-2892 | 1 | Inboard Boot Kit |
| 20 | 93-7054 | 1 | Differential |
| 21 | 106-2327 | 1 | Tie Rod-Steering |
| 22 | 87-9200 | 2 | Bearing-Sealed |
| 23 | 87-3450 | 2 | Plug-Plate, Brake (Front) |
| 24 | 87-9170 | 1 | RH Front Brake ASM |
| 25 | 87-9180 | 1 | LH Front Brake ASM |
| 26 | 87-9210 | 2 | Spacer-Bearing, Wheel |
| 27 | 110-2537 | 2 | Ball Joint-RH |
| 28 | 110-2536 | 2 | Ball Joint-LH |
| 29 | 3220-11 | 3 | Nut-Jam |
| 30 | 3218-21 | 2 | Nut-Jam |
| 31 | 3253-6 | 10 | Washer-Lock |
| 32 | 87-2080 | 10 | Bolt-Hex, TAP |
| 33 | 3272-12 | 4 | Pin-Cotter |
| 34 | 108-6936 | 1 | Tie Rod-LH |
| 35 | 108-6937 | 1 | Turnbuckle-Tie Rod, LH |



RH Front Brake Assembly No. 87-9170

| Ref | Part No. | Qty. | Description |
|-------|----------|------|---------------------------------|
| 1 | 92-4135 | 2 | Bolt-Set |
| 2 | 92-4100 | 1 | RH Backplate ASM |
| 2:1 | | 1 | Guide-Pipe |
| 3 | 92-4146 | 1 | Plunger ASM |
| 4 | 92-4118 | 1 | Wheel Cylinder ASM |
| 4:1 | 92-4113 | 1 | Screw-Bleed |
| 4:2 | 92-4114 | 1 | Cap-Screw, Bleed |
| 4:3 | | 1 | Body |
| 4:4 | 92-4119 | 1 | Seal Kit |
| 4:4:1 | | 2 | Seal-L Type |
| 4:4:2 | | 2 | Cover-Dust |
| 4:5 | | 2 | Piston |
| 4:6 | | 1 | Spring |
| 5 | 92-4143 | 1 | Lined Shoe Kit |
| 5:1 | | 1 | Lever-Operating |
| 5:2 | | 1 | Pin |
| 6 | 92-4148 | 1 | Spring-Return, Shoe (Upper, RH) |
| 7 | 92-4149 | 1 | Spring-Return, Shoe (Lower) |
| 8 | 92-4145 | 1 | RH Adjustor ASM |
| 8:1 | | 1 | Pushrod-Female |
| 8:2 | | 1 | Bolt-Adjuster |
| 8:3 | | 1 | Sleeve-Adjuster |
| 9 | 92-4124 | 1 | RH Pawl Lever ASM |
| 9:1 | | 1 | Pin-Pawl |

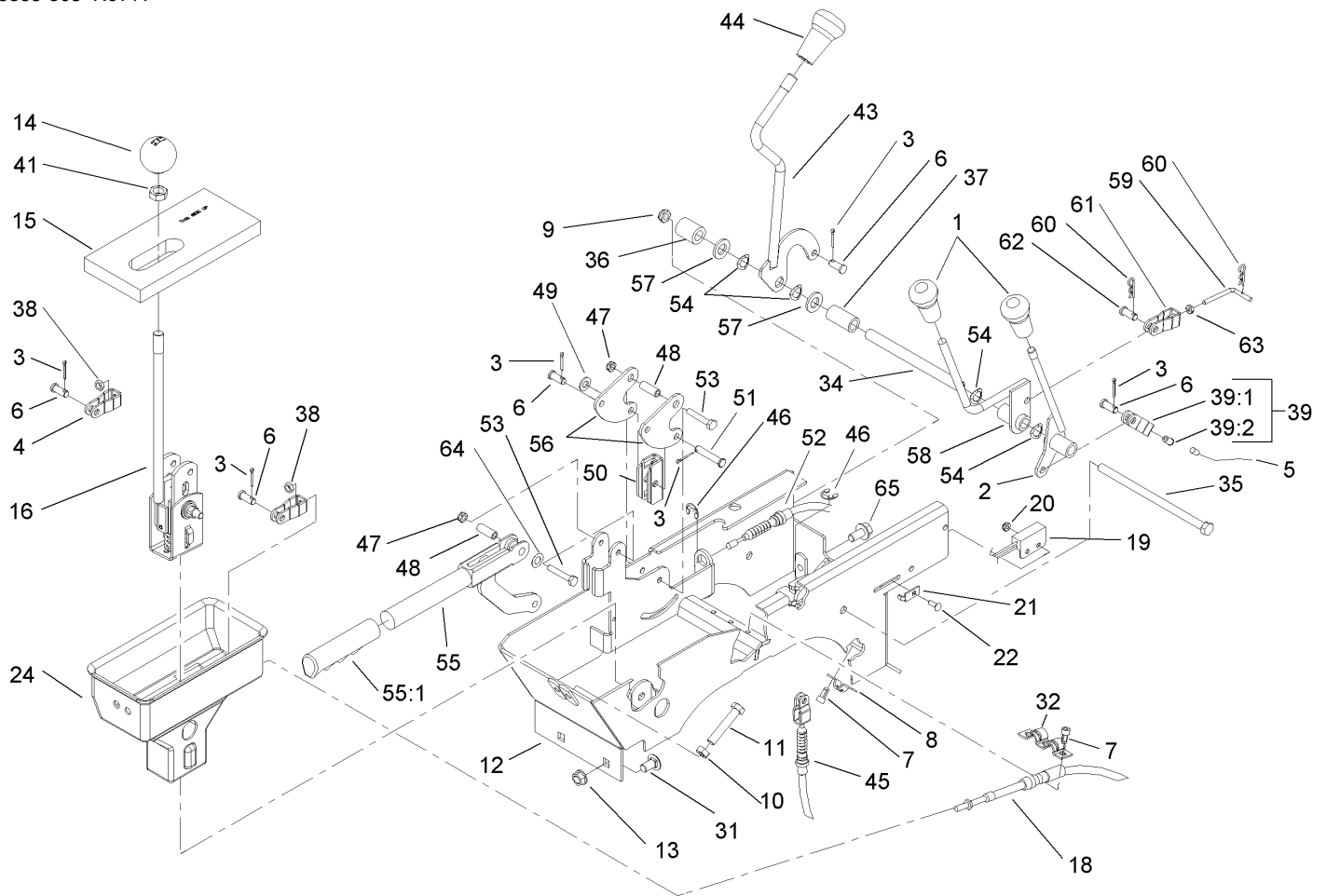
| Ref | Part No. | Qty. | Description |
|-----|----------|------|------------------------|
| 10 | 92-4151 | 1 | Spring-Adjuster, RH |
| 11 | 92-4131 | 2 | Washer-Hold Down, Shoe |
| 12 | 92-4152 | 2 | Spring-Hold Down, Shoe |
| 13 | 92-4134 | 2 | Plug-Inspection |
| 14 | 92-4133 | 2 | Pin-Hold Down, Shoe |



LH Front Brake Assembly No. 87-9180

| Ref | Part No. | Qty. | Description |
|-------|----------|------|---------------------------------|
| 1 | 92-4135 | 2 | Bolt-Set |
| 2 | 92-4136 | 1 | LH Backplate ASM |
| 2:1 | | 1 | Guide-Pipe |
| 3 | 92-4146 | 1 | Plunger ASM |
| 4 | 92-4117 | 1 | Wheel Cylinder ASM |
| 4:1 | 92-4113 | 1 | Screw-Bleed |
| 4:2 | 92-4114 | 1 | Cap-Screw, Bleed |
| 4:3 | | 1 | Body |
| 4:4 | 92-4119 | 1 | Seal Kit |
| 4:4:1 | | 2 | Seal-L Type |
| 4:4:2 | | 2 | Cover-Dust |
| 4:5 | | 2 | Piston |
| 4:6 | | 1 | Spring |
| 5 | 92-4143 | 1 | Lined Shoe Kit |
| 5:1 | | 1 | Lever-Operating |
| 5:2 | | 1 | Pin |
| 6 | 92-4147 | 1 | Spring-Return, Shoe (Upper, LH) |
| 7 | 92-4149 | 1 | Spring-Return, Shoe (Lower) |
| 8 | 92-4144 | 1 | LH Adjuster ASM |
| 8:1 | | 1 | Pushrod-Female |
| 8:2 | | 1 | Bolt-Adjuster |
| 8:3 | | 1 | Sleeve-Adjuster |
| 9 | 92-4123 | 1 | LH Pawl Lever ASM |
| 9:1 | | 1 | Pin-Pawl |

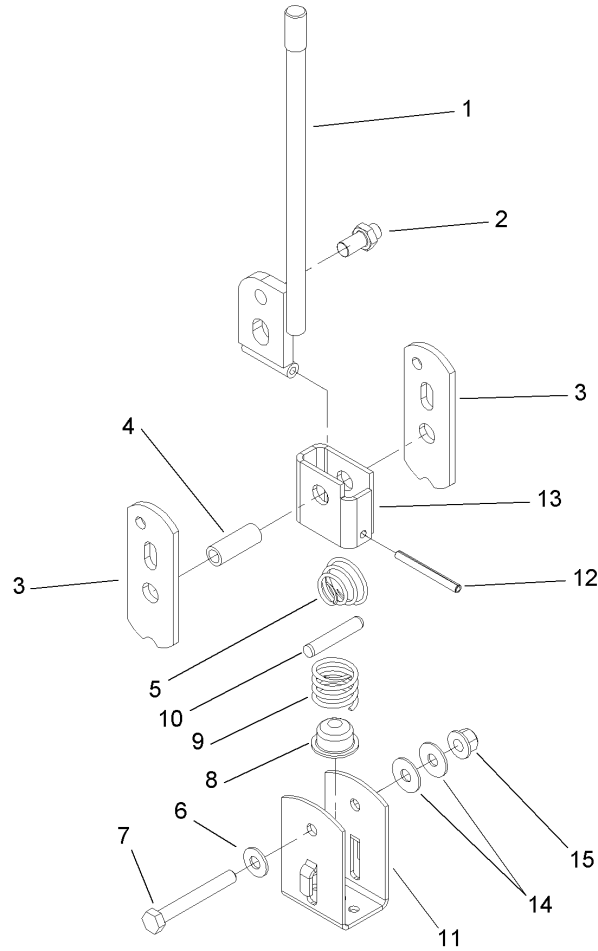
| Ref | Part No. | Qty. | Description |
|-----|----------|------|------------------------|
| 10 | 92-4150 | 1 | Spring-Adjuster, LH |
| 11 | 92-4131 | 2 | Washer-Hold Down, Shoe |
| 12 | 92-4152 | 2 | Spring-Hold Down, Shoe |
| 13 | 92-4134 | 2 | Plug-Inspection |
| 14 | 92-4133 | 2 | Pin-Hold Down, Shoe |



Console Assembly

| Ref | Part No. | Qty. | Description |
|-----|-------------|------|-----------------------|
| 1 | 106-7903 | 2 | Knob-Control |
| 2 | 106-7828 | 1 | Lever ASM |
| 3 | 3272-6 | 6 | Pin-Cotter |
| 4 | 87-2310 | 2 | Clevis-Cable |
| 5 | 106-6698 | 1 | Cable-Hi-Low |
| 6 | 283-62 | 5 | Pin-Clevis |
| 7 | 65-5220 | 5 | Screw-Forming, Thread |
| 8 | 87-4340 | 1 | Clamp-Cable |
| 9 | 3296-59 | 1 | Nut-Lock, NI |
| 10 | 3217-7 | 2 | Nut-Hex |
| 11 | 323-10 | 2 | Screw-HH |
| 12 | 108-6914-03 | 1 | Lever Support ASM |
| 13 | 3290-357 | 2 | Nut-HHF, Whiz |
| 14 | 87-6720 | 1 | Knob-Shift |
| 15 | 87-6570 | 1 | Seal-Boot, Lower |
| 16 | 106-7887 | 1 | Shift ASM |
| 18 | 87-4260 | 2 | Cable-Selector, Gear |
| 19 | 100-1270 | 1 | Switch-Proximity |
| 20 | 3296-12 | 1 | Nut-Lock |
| 21 | 100-4872 | 1 | Plate-Switch, Neutral |
| 22 | 3229-34 | 1 | Bolt-CARR |
| 24 | 106-2376 | 1 | Boot-Shift, Lower |
| 31 | 3231-21 | 2 | Screw-CARR |
| 32 | 87-4960 | 1 | Clamp-Cable |

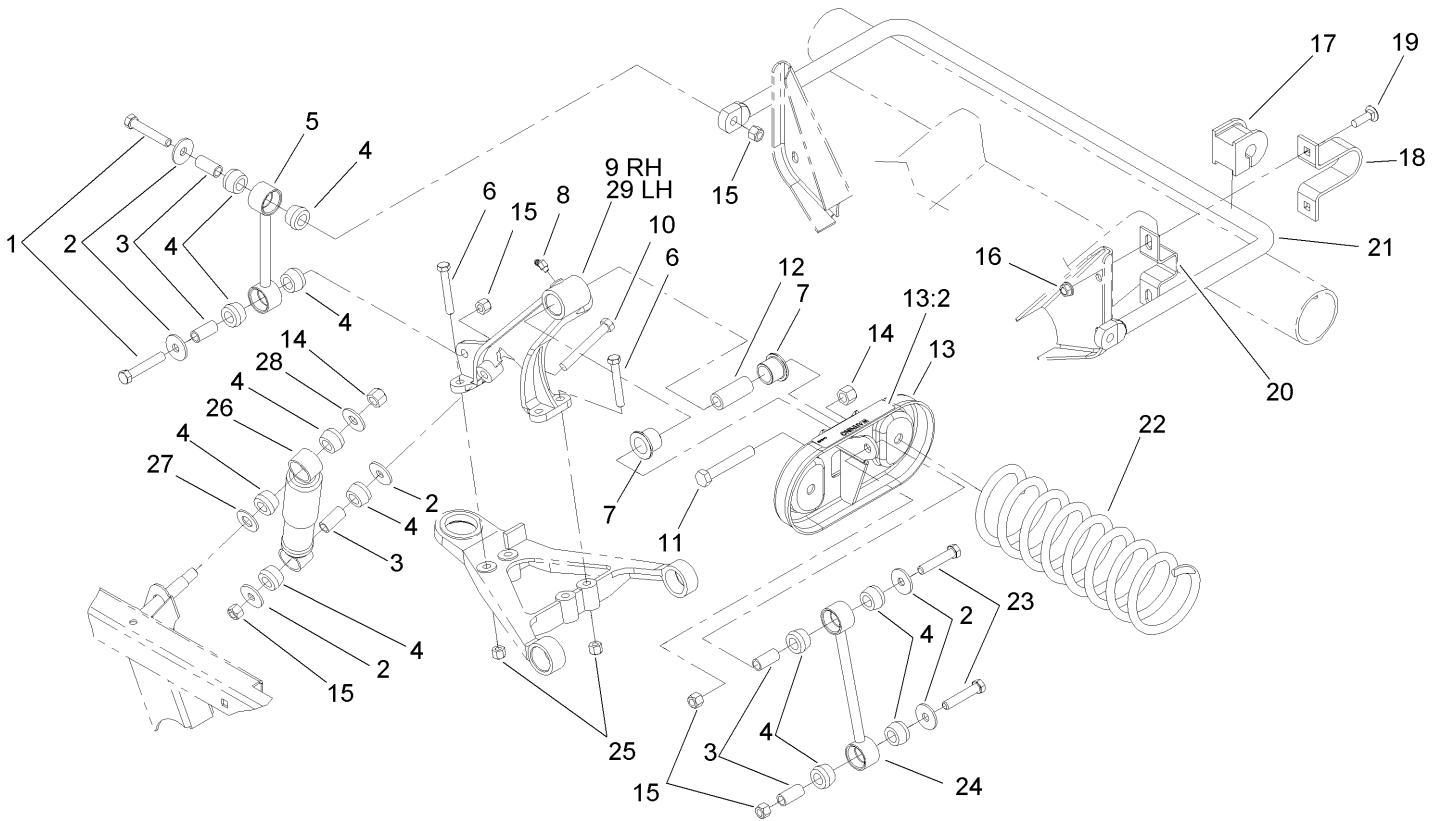
| Ref | Part No. | Qty. | Description |
|------|----------|------|--------------------------|
| 34 | 106-7833 | 1 | Spacer |
| 35 | 323-36 | 1 | Screw-HH |
| 36 | 66-6501 | 1 | Spacer-Wheel |
| 37 | 106-7835 | 1 | Spacer |
| 38 | 3220-1 | 2 | Nut-Jam |
| 39 | 87-7160 | 1 | Cable Clevis ASM |
| 39:1 | 87-2310 | 1 | Clevis-Cable |
| 39:2 | 32148-15 | 1 | Nut-Insert |
| 41 | 3218-18 | 1 | Nut-Jam |
| 43 | 87-5030 | 1 | Lever-Lock, Differential |
| 44 | 106-7952 | 1 | Knob |
| 45 | 87-4460 | 1 | Cable-Lock, Differential |
| 46 | 32120-47 | 3 | Ring-Retaining, External |
| 47 | 3296-56 | 2 | Nut-Lock, NI |
| 48 | 114402 | 2 | Spacer |
| 49 | 3256-23 | 1 | Washer-Flat |
| 50 | 87-3480 | 1 | Bracket-Equalizer, Cable |
| 51 | 94-3829 | 1 | Pin-Clevis |
| 52 | 106-6691 | 2 | Cable-Brake, Park |
| 53 | 321-9 | 2 | Screw-HH |
| 54 | 3290-221 | 4 | Washer-Spring |
| 55 | 104-6842 | 1 | Lever-Brake, Park |
| 55:1 | 106-7972 | 1 | Grip-Handle |
| 56 | 106-7814 | 2 | Bellcrank |



Shift Assembly No. 106-7887

| Ref | Part No. | Qty. | Description |
|-----|----------|------|--------------------|
| 1 | 87-2040 | 1 | Shift Lever ASM |
| 2 | 87-3650 | 1 | Pin-Shift |
| 3 | 87-3540 | 2 | Link-Shift |
| 4 | 87-2520 | 1 | Tube-Pivot |
| 5 | 87-2900 | 1 | Spring-Compression |
| 6 | 87-8640 | 1 | Washer-Flat |
| 7 | 322-12 | 1 | Screw-HH |
| 8 | 87-3530 | 1 | Button-Shifter |
| 9 | 87-3660 | 1 | Spring-Compression |
| 10 | 3290-507 | 1 | Pin-Dowel |
| 11 | 87-3520 | 1 | Clevis |
| 12 | 32121-48 | 1 | Pin-Spring |
| 13 | 87-6040 | 1 | Bracket-Shifter |
| 14 | 3290-456 | 2 | Washer-Belleville |
| 15 | 3296-58 | 1 | Nut-Lock, NI |

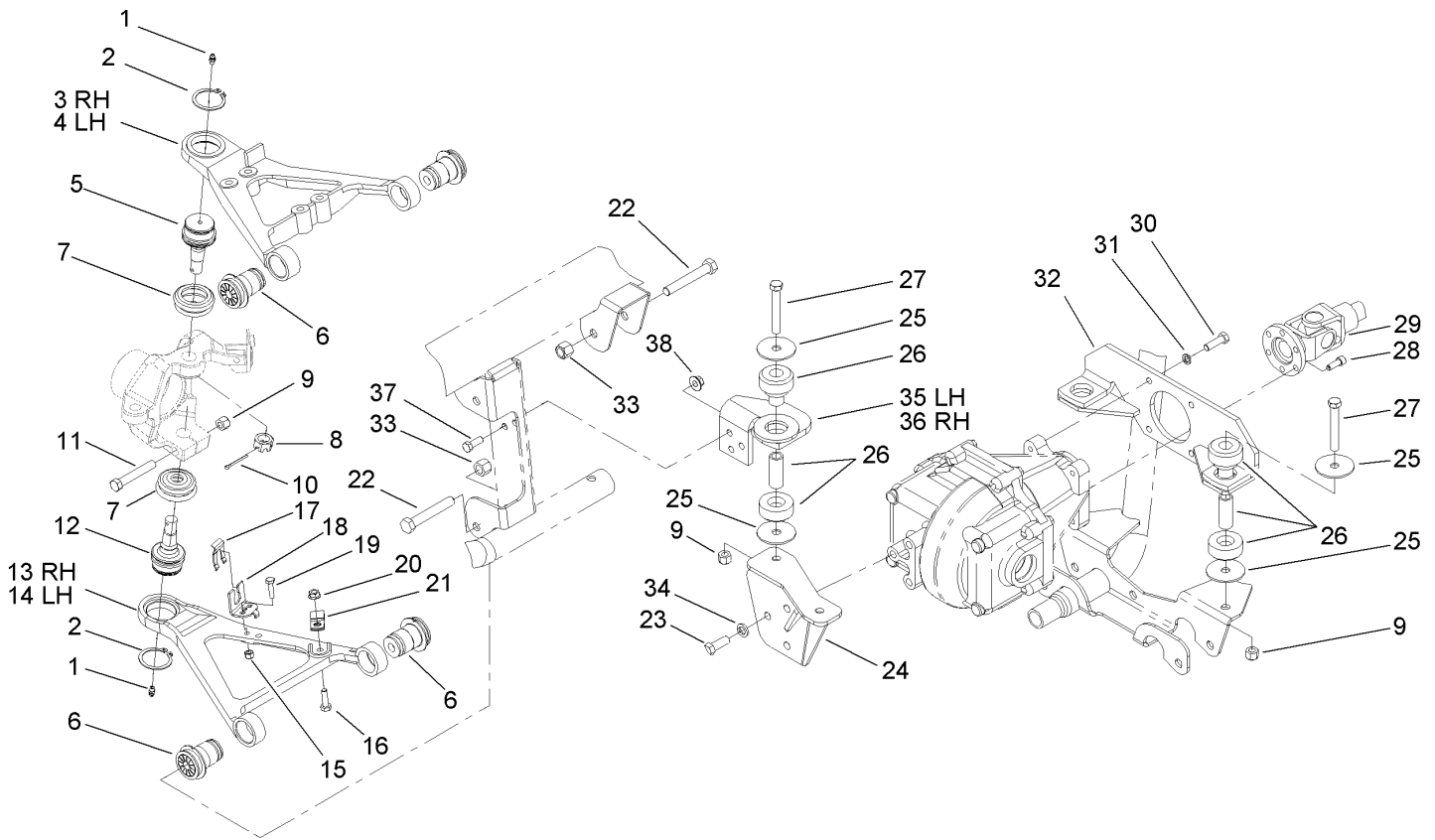
| | | | |
|--|--|--|--|
| | | | |
|--|--|--|--|



Front Suspension Assembly

| Ref | Part No. | Qty. | Description |
|------|-------------|------|------------------------|
| 1 | 324-10 | 4 | Screw-HH |
| 2 | 87-5330 | 12 | Washer |
| 3 | 87-3600 | 10 | Spacer-Absorber, Shock |
| 4 | 87-3920 | 24 | Bushing |
| 5 | 87-3860-03 | 2 | Anti-Sway Bar Link ASM |
| 6 | 323-12 | 8 | Screw-HH |
| 7 | 33-3090 | 4 | Bushing |
| 8 | 302-11 | 2 | Fitting-Lube, 45 DEG |
| 9 | 87-0150-03 | 1 | Tower-Control Arm, RH |
| 10 | 324-13 | 2 | Screw-HH |
| 11 | 325-13 | 2 | Screw-HH |
| 12 | 87-2500 | 2 | Sleeve-Spring, Pivot |
| 13 | 105-7958 | 2 | Spring Cradle ASM |
| 13:2 | 93-9879 | 1 | Decal-Warning |
| 14 | 3296-23 | 4 | Nut-Lock, NI |
| 15 | 3296-48 | 10 | Nut-Lock, NI |
| 16 | 3290-357 | 4 | Nut-HHF, Whiz |
| 17 | 87-3910 | 2 | Bushing-Rubber |
| 18 | 87-4010-03 | 2 | Clamp-Bar, Sway |
| 19 | 3231-25 | 4 | Screw-CARR |
| 20 | 87-3890-03 | 2 | Bracket-Bar, Sway |
| 21 | 87-3850-03 | 1 | Bar-Sway, Anti |
| 22 | 105-4183-01 | 2 | Spring-Compression |
| 23 | 324-9 | 4 | Screw-HH |

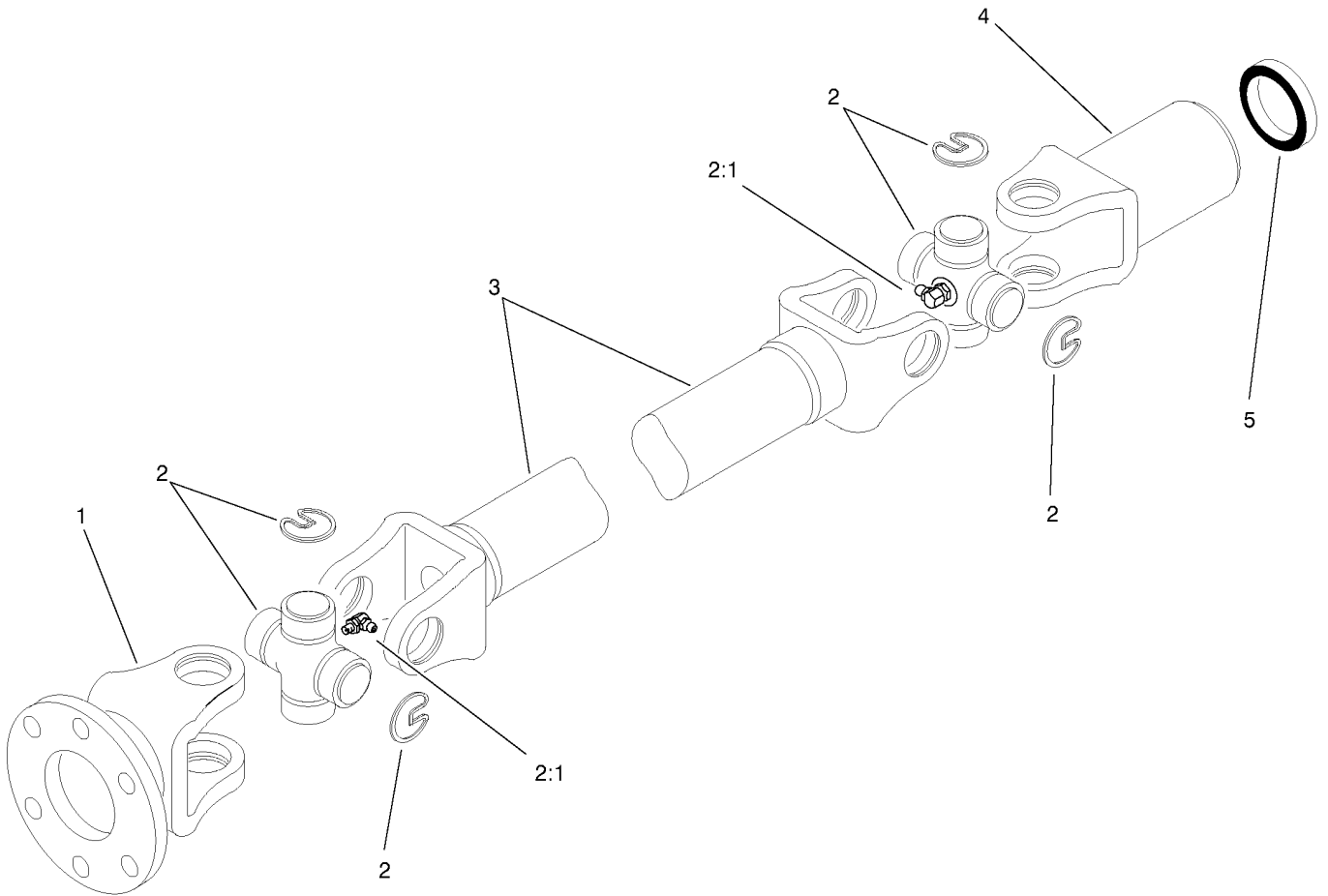
| Ref | Part No. | Qty. | Description |
|-----|-------------|------|-----------------------|
| 24 | 106-2302-03 | 2 | Stabilizer Link ASM |
| 25 | 3296-39 | 8 | Nut-Lock, NI |
| 26 | 87-3110 | 2 | Absorber-Shock |
| 27 | 3256-27 | 2 | Washer-Flat |
| 28 | 3256-6 | 2 | Washer-Flat |
| 29 | 87-0160-03 | 1 | Tower-Control Arm, LH |



Front Control Arm Assembly

| Ref | Part No. | Qty. | Description |
|-----|------------|------|--------------------------|
| 1 | 302-5 | 4 | Fitting-Grease |
| 2 | 32151-104 | 4 | Ring-Retaining, External |
| 3 | 93-7135-03 | 1 | Arm-Control, Top (RH) |
| 4 | 93-7133-03 | 1 | Arm-Control, Top (LH) |
| 5 | 87-1430 | 2 | Joint-Ball |
| 6 | 87-1450 | 8 | Bushing-Flange |
| 7 | 87-2420 | 4 | Seal-Joint, Ball |
| 8 | 32136-2 | 2 | Nut-SHH |
| 9 | 3296-48 | 6 | Nut-Lock, NI |
| 10 | 3272-11 | 2 | Pin-Cotter |
| 11 | 324-11 | 2 | Screw-HH |
| 12 | 93-7052 | 2 | Joint-Ball, 4Wd |
| 13 | 87-0210-03 | 1 | Arm-Control, Lower (RH) |
| 14 | 87-0220-03 | 1 | Arm-Control, Lower (LH) |
| 15 | 3296-42 | 2 | Nut-Lock, NI |
| 16 | 322-5 | 2 | Screw-HH |
| 17 | 87-3580 | 2 | Clip-Retainer |
| 18 | 93-7070 | 2 | Bracket-Hose, Brake |
| 19 | 321-6 | 2 | Screw-HH |
| 20 | 32128-20 | 2 | Nut-HF |
| 21 | 2412-10 | 2 | R-Clamp |
| 22 | 325-14 | 8 | Screw-HH |
| 23 | 324-5 | 3 | Screw-HH |
| 24 | 93-7118-03 | 1 | Bracket-Differential |

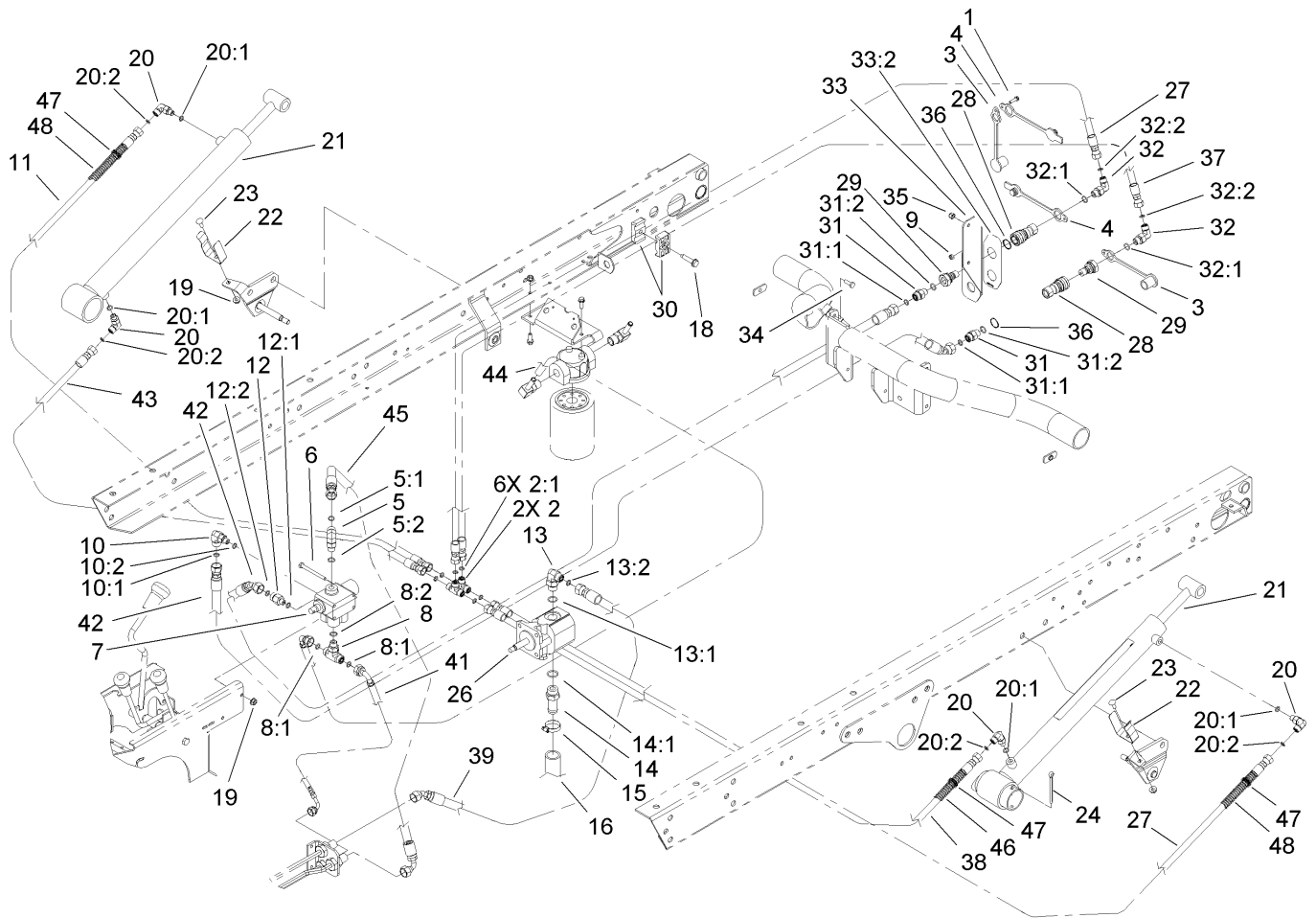
| Ref | Part No. | Qty. | Description |
|-----|-------------|------|------------------------------|
| 25 | 87-5100 | 8 | Washer-Snubbing |
| 26 | 106-7865 | 4 | Engine Mount ASM |
| 27 | 324-12 | 4 | Screw-HH |
| 28 | 3274-97 | 6 | Screw-HSH |
| 29 | 93-7116 | 1 | Driveshaft-4Wd |
| 30 | 323-7 | 4 | Screw-HH |
| 31 | 3253-21 | 4 | Washer-Lock |
| 32 | 93-7074-03 | 1 | Mount-Differential, Rear ASM |
| 33 | 3296-23 | 8 | Nut-Lock, NI |
| 34 | 3253-6 | 3 | Washer-Lock |
| 35 | 106-6724-03 | 1 | Bracket-Support, LH |
| 36 | 106-6725-03 | 1 | Bracket-Support, RH |
| 37 | 323-6 | 6 | Screw-HH |
| 38 | 32128-43 | 6 | Nut-Flange |



Differential Drive Shaft Assembly No. 93-7116

| Ref | Part No. | Qty. | Description |
|-----|----------|------|-----------------------------|
| 1 | 92-4193 | 1 | Yoke |
| 2 | 54-9180 | 2 | U-Joint Kit |
| 2:1 | 62-3820 | 1 | Fitting-Grease |
| 3 | 92-4194 | 1 | Center-Double, Fixed Length |
| 4 | 92-4195 | 1 | Yoke |
| 5 | 92-4196 | 1 | Seal |

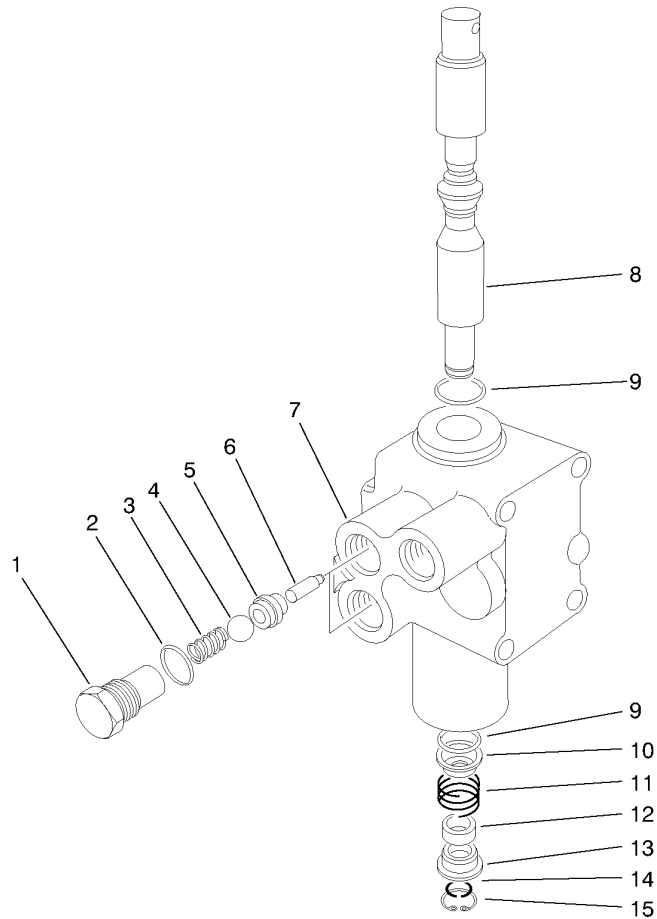
| | | | |
|--|--|--|--|
| | | | |
|--|--|--|--|



Lift Valve and Hydraulic Assembly

| Ref | Part No. | Qty. | Description |
|------|----------|------|---------------------|
| 1 | 32105-13 | 1 | Screw-SHH |
| 2 | 340-21 | 2 | Fitting |
| 2:1 | 237-21 | 3 | O-Ring |
| 3 | 106-7881 | 2 | Cap-Dust, HYD |
| 4 | 106-7882 | 2 | Plug-Dust, HYD |
| 5 | 340-77 | 1 | Fitting-HYD, 90 DEG |
| 5:1 | 237-22 | 1 | O-Ring |
| 5:2 | 237-42 | 1 | O-Ring |
| 6 | 321-14 | 2 | Screw-HH |
| 7 | 43-1950 | 1 | Valve-Control, HYD |
| 8 | 340-94 | 1 | Adapter |
| 8:1 | 237-22 | 2 | O-Ring |
| 8:2 | 237-42 | 1 | O-Ring |
| 9 | 3296-2 | 1 | Nut-Lock |
| 10 | 340-97 | 1 | Fitting-HYD, 90 DEG |
| 10:1 | 237-22 | 1 | O-Ring |
| 10:2 | 237-78 | 1 | O-Ring |
| 11 | 92-7564 | 1 | Hose ASM |
| 12 | 340-88 | 1 | Adapter |
| 12:1 | 237-22 | 1 | O-Ring |
| 12:2 | 237-78 | 1 | O-Ring |
| 13 | 340-18 | 1 | Fitting-HYD, 90 DEG |
| 13:1 | 237-79 | 1 | O-Ring |
| 13:2 | 237-22 | 1 | O-Ring |

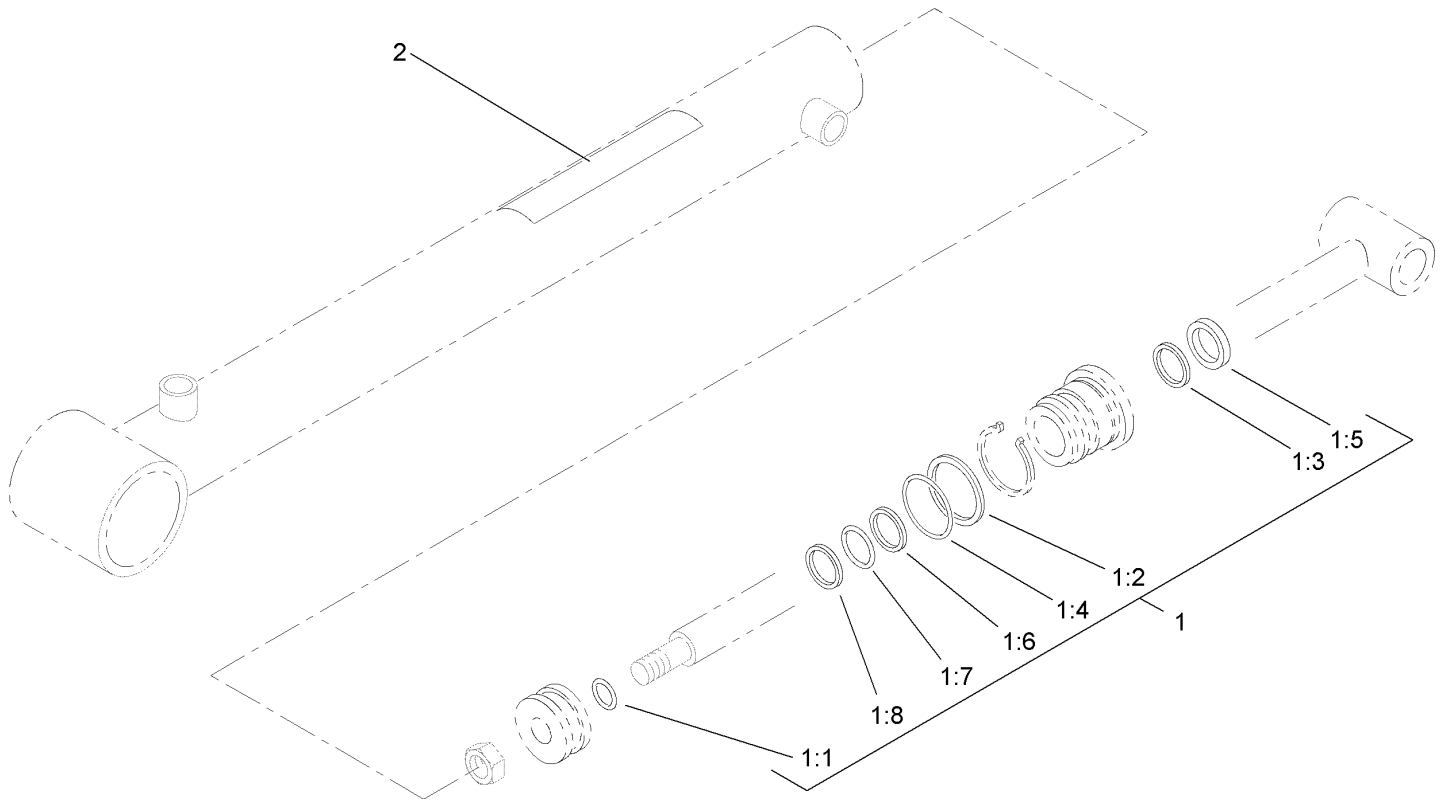
| Ref | Part No. | Qty. | Description |
|------|----------|------|-----------------------|
| 14 | 354-136 | 1 | Fitting-HYD |
| 14:1 | 237-80 | 1 | O-Ring |
| 15 | 2412-34 | 1 | Clamp-Hose |
| 16 | 87-3670 | 1 | Hose-Suction |
| 18 | 32144-57 | 1 | Screw |
| 19 | 32128-33 | 4 | Nut-HF |
| 20 | 340-132 | 4 | Fitting-HYD, 90 DEG |
| 20:1 | 237-78 | 1 | O-Ring |
| 20:2 | 237-21 | 1 | O-Ring |
| 21 | 106-7939 | 2 | HYD Cylinder ASM |
| 22 | 108-3109 | 2 | Retainer-Cylinder |
| 23 | 3229-1 | 2 | Screw-CARR |
| 24 | 3272-37 | 2 | Pin-Cotter |
| 26 | 106-6649 | 1 | Pump-Gear, HYD |
| 27 | 104-3716 | 2 | HYD Hose ASM |
| 28 | 106-7968 | 2 | Coupler-Quick, Female |
| 29 | 106-7969 | 2 | Coupler-Quick, Male |
| 30 | 56-7976 | 2 | Clamp-Tube |
| 31 | 340-2 | 2 | Fitting-Straight, HYD |
| 31:1 | 237-22 | 1 | O-Ring |
| 31:2 | 237-42 | 1 | O-Ring |
| 32 | 340-82 | 2 | Adapter |
| 32:1 | 237-42 | 1 | O-Ring |
| 32:2 | 237-21 | 1 | O-Ring |



Control Valve Assembly No. 43-1950

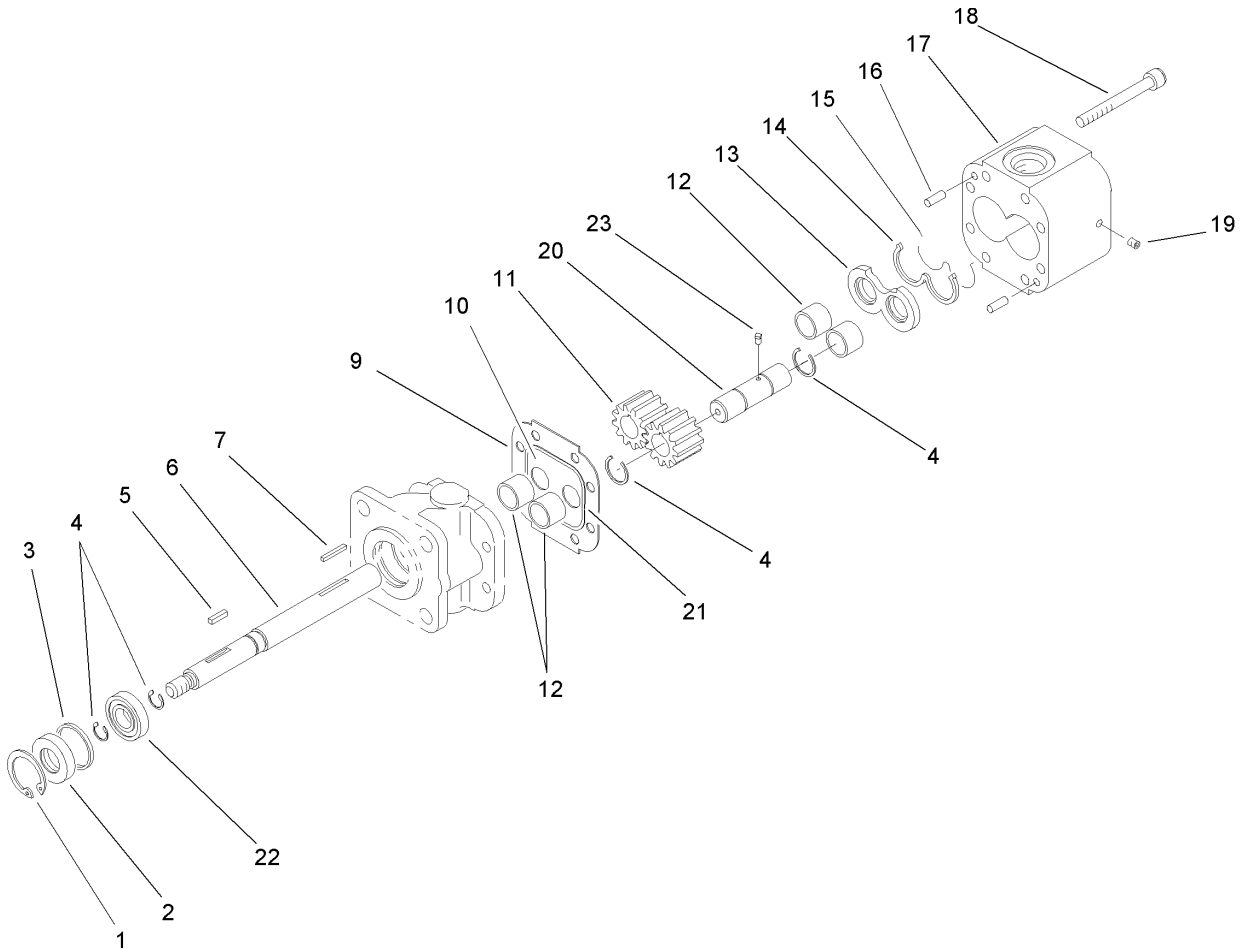
| Ref | Part No. | Qty. | Description |
|-----|----------|------|-------------|
| 1 | 22-8330 | 2 | Plug |
| 2 | 237-42 | 2 | O-Ring |
| 3 | 22-8340 | 2 | Spring |
| 4 | 22-8350 | 2 | Ball |
| 5 | 22-8370 | 2 | Seat-Valve |
| 6 | 22-8360 | 2 | Pin |
| 7 | | 1 | Body |
| 8 | 22-8420 | 1 | Spool |
| 9 | 22-8500 | 2 | O-Ring |
| 10 | 22-8380 | 2 | Retainer |
| 11 | 22-8410 | 1 | Spring |
| 12 | 23-3030 | 1 | Spacer |
| 13 | 22-8480 | 1 | Ring-Snap |
| 14 | 22-8490 | 1 | Ring-Snap |

| | | | |
|--|--|--|--|
| | | | |
| | | | |
| | | | |
| | | | |



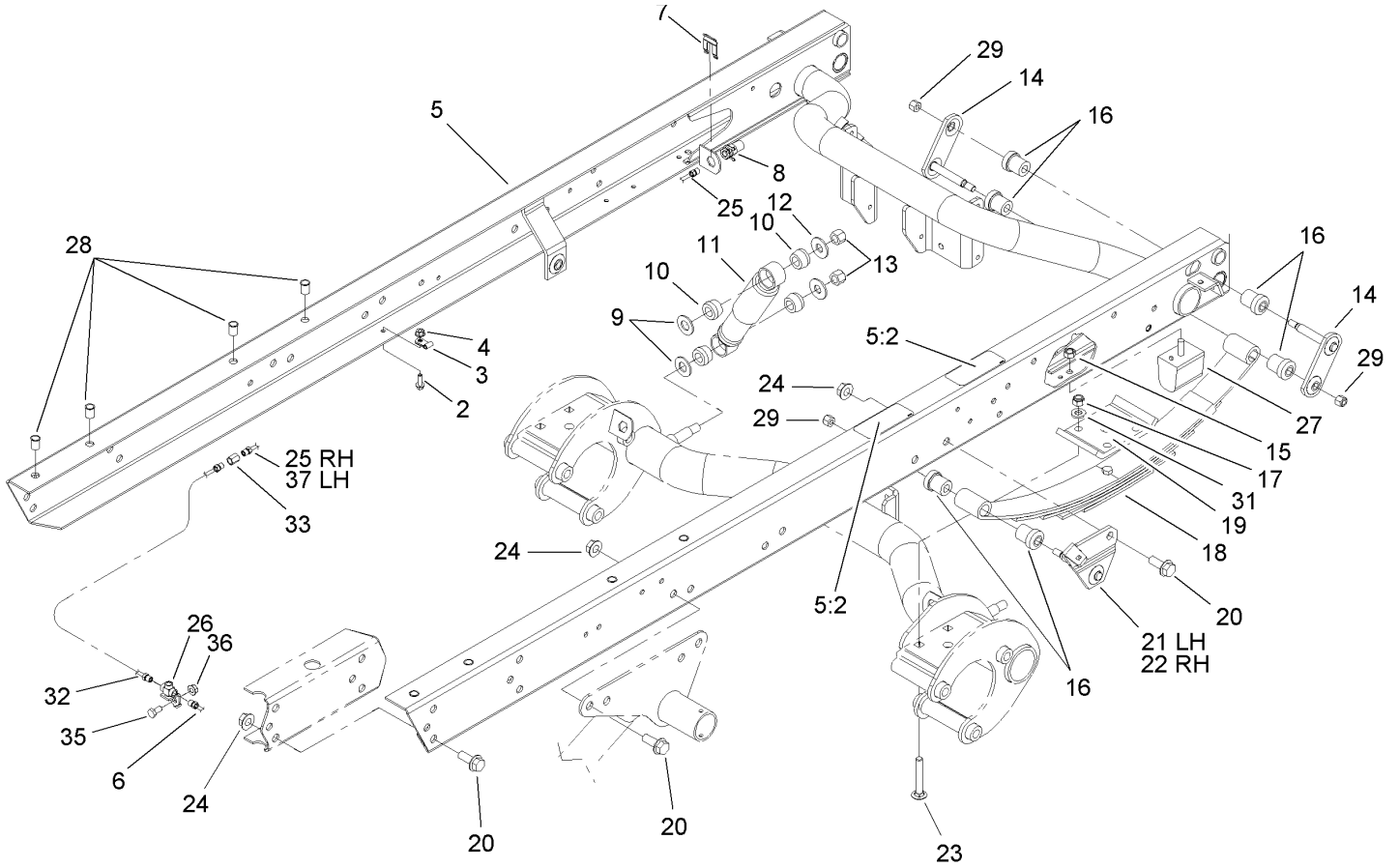
Hydraulic Cylinder Assembly No. 106-7939

| Ref | Part No. | Qty. | Description |
|-------|----------|------|---------------|
| 1 | 106-7941 | 1 | Seal Kit |
| ② 1:1 | | 1 | O-Ring |
| ② 1:2 | | 1 | O-Ring |
| ② 1:3 | | 1 | Seal |
| ② 1:4 | | 1 | Back-Up |
| ② 1:5 | | 1 | Wiper |
| ② 1:6 | | 1 | Seal |
| ② 1:7 | | 1 | O-Ring |
| ② 1:8 | | 1 | Ring-Wear |
| 2 | 93-9852 | 1 | Decal-Warning |



Hydraulic Pump Assembly No. 106-6649

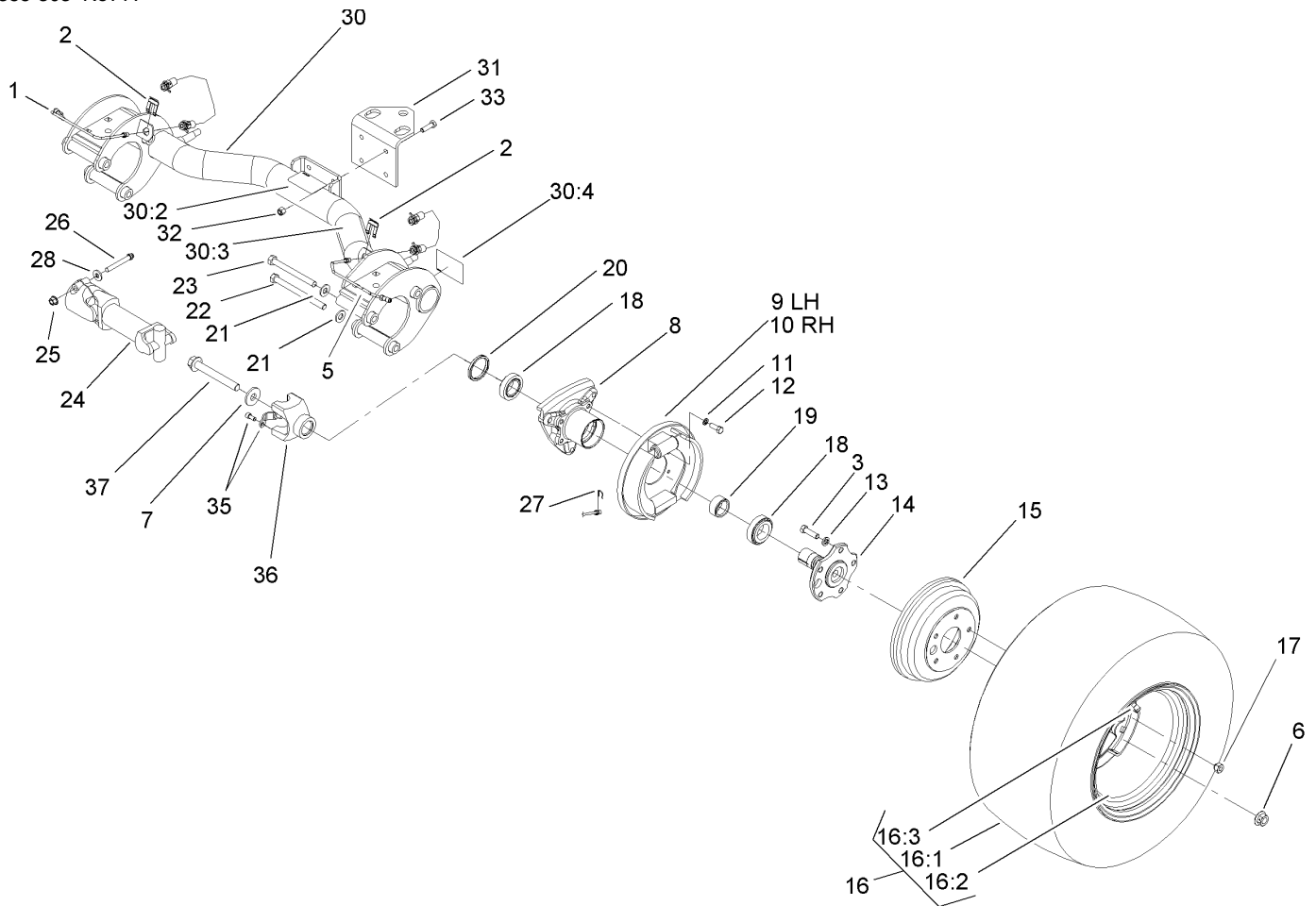
| Ref | Part No. | Qty. | Description |
|-----|----------|------|------------------------------|
| 1 | 32151-41 | 1 | Ring-Snap |
| 2 | 92-2195 | 1 | Seal-Oil |
| 3 | 92-2186 | 1 | Spacer |
| 4 | 92-2178 | 4 | Ring-Crescent |
| 5 | 92-2179 | 1 | Key-Square |
| 6 | 92-2189 | 1 | Shaft-Drive |
| 7 | 92-2177 | 1 | Pin-Shear |
| 9 | 92-2182 | 1 | Plate-Seal |
| 10 | 92-2183 | 1 | Plate-Wear |
| 11 | 92-2175 | 2 | Gear |
| 12 | 92-2192 | 4 | Bearing |
| 13 | 92-2181 | 1 | Plate-Pressure |
| 14 | 92-2197 | 1 | Seal-Back Up, Pressure Plate |
| 15 | 92-2196 | 1 | Seal-Plate, Pressure |
| 16 | 92-2176 | 2 | Pin-Shear |
| 17 | 92-2187 | 1 | Housing-Gear, End |
| 18 | 92-2173 | 8 | Screw |
| 19 | 92-2185 | 1 | Plug |
| 20 | 92-2190 | 1 | Shaft-Idler |
| 21 | 92-2198 | 1 | Seal-Plate, Wear |
| 22 | 92-2191 | 1 | Bearing-Ball |
| 23 | 92-2199 | 1 | Key-Ball |



Rear Frame Assembly

| Ref | Part No. | Qty. | Description |
|-----|------------|------|------------------------|
| 2 | 3234-4 | 4 | Screw-HHF |
| 3 | 2412-149 | 4 | Clamp-Hose |
| 4 | 32128-33 | 4 | Nut-HF |
| 5 | 105-7959 | 1 | Frame Channel ASM |
| 5:2 | 93-8071 | 2 | Decal-Surface, Hot |
| 6 | 94-3843 | 1 | LH Rear Brake Tube ASM |
| 7 | 87-3580 | 2 | Clip-Retainer |
| 8 | 87-4100 | 2 | Hose-Brake, Rear |
| 9 | 3256-27 | 4 | Washer-Flat |
| 10 | 87-3920 | 8 | Bushing |
| 11 | 87-3110 | 2 | Absorber-Shock |
| 12 | 3256-6 | 4 | Washer-Flat |
| 13 | 3296-23 | 4 | Nut-Lock, NI |
| 14 | 87-3980 | 4 | Shackle ASM |
| 15 | 48-9520 | 2 | Nut |
| 16 | 87-4760 | 12 | Bushing-Rubber |
| 17 | 3296-76 | 8 | Nut-Lock, NI |
| 18 | 87-1490 | 2 | Spring-Leaf, Rear |
| 19 | 87-7470-03 | 2 | Plate-Spring, Clamp |
| 20 | 3234-38 | 24 | Screw-HHF |
| 21 | 87-3960 | 1 | LH Spring Mount ASM |
| 22 | 87-3940 | 1 | RH Spring Mount ASM |
| 23 | 3232-17 | 8 | Screw-CARR |
| 24 | 32128-23 | 24 | Nut-HF |

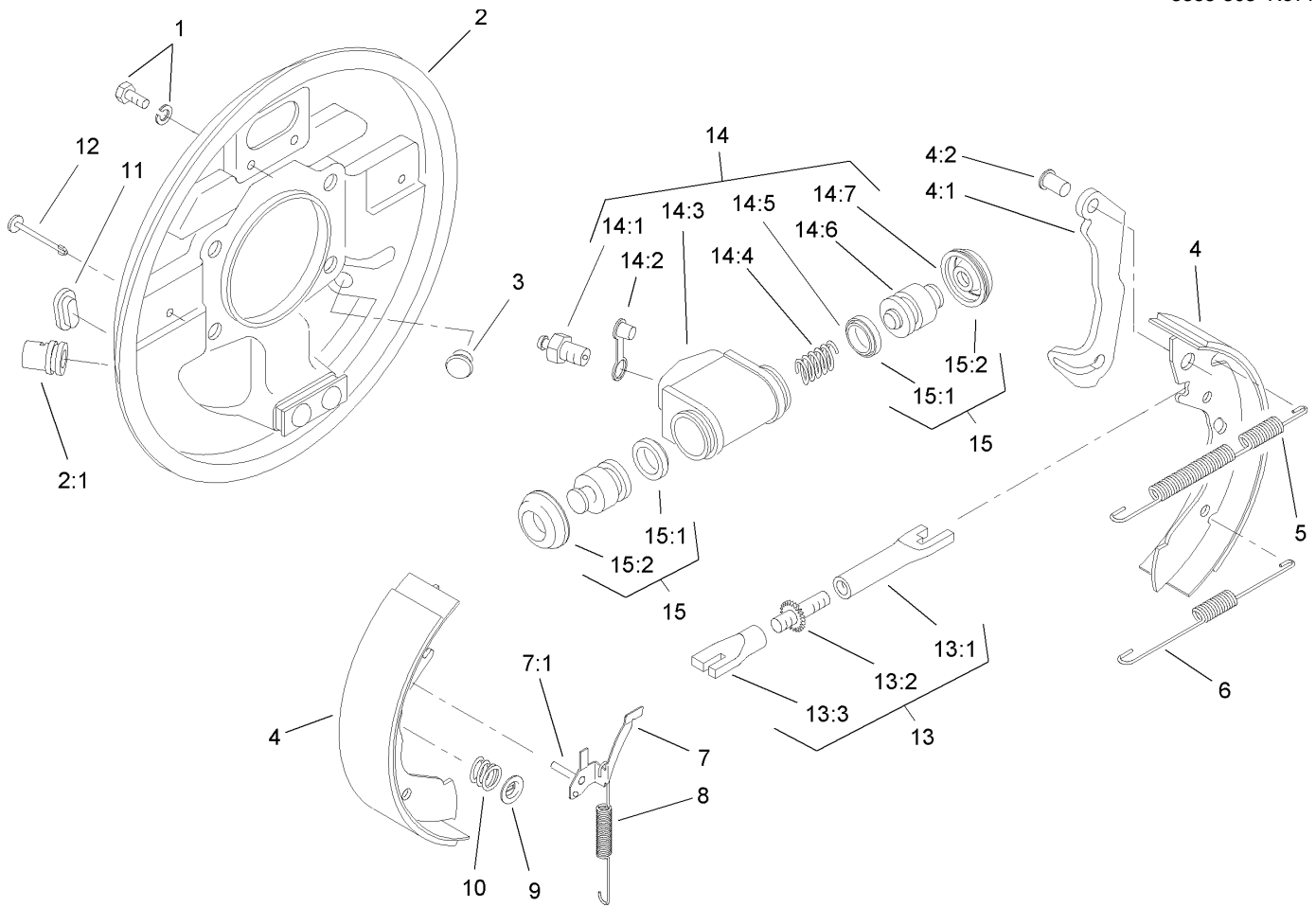
| Ref | Part No. | Qty. | Description |
|-----|----------|------|------------------------|
| 25 | 94-3846 | 1 | RH Rear Brake Tube ASM |
| 26 | 87-3560 | 1 | Tee |
| 27 | 87-3470 | 2 | Bumper-Axle, Rear |
| 28 | 32148-9 | 8 | Insert-Nut |
| 29 | 3296-39 | 6 | Nut-Lock, NI |
| 31 | 87-7480 | 8 | Washer |
| 32 | 94-3845 | 1 | RH Rear Brake Tube ASM |
| 33 | 87-3570 | 2 | Union |
| 35 | 322-2 | 1 | Screw-HH |
| 36 | 32128-20 | 1 | Nut-HF |
| 37 | 94-3844 | 1 | LH Rear Brake Tube ASM |



Rear Axle Assembly

| Ref | Part No. | Qty. | Description |
|------|-------------|------|------------------------|
| 1 | 87-4090 | 1 | RH Rear Brake Tube ASM |
| 2 | 87-3580 | 2 | Clip-Retainer |
| 3 | 87-2080 | 10 | Bolt-Hex, TAP |
| 5 | 87-4080 | 1 | LH Rear Brake Tube ASM |
| 6 | 105-1764 | 2 | Nut-Flange, Side Lock |
| 7 | 104-9216 | 2 | Washer-Hardened |
| 8 | 87-2240 | 2 | Housing-Axle |
| 9 | 93-7126 | 1 | LH Rear Brake ASM |
| 10 | 93-7125 | 1 | RH Rear Brake ASM |
| 11 | 3253-21 | 8 | Washer-Lock |
| 12 | 323-6 | 8 | Screw-HH |
| 13 | 3253-6 | 10 | Washer-Lock |
| 14 | 105-1717-03 | 2 | Axle-Stub |
| 15 | 93-7128 | 2 | Drum-Brake |
| 16 | | 2 | Tire And Wheel ASM |
| 16:1 | 106-7868 | 1 | Tire |
| 16:2 | 87-6750 | 1 | Wheel |
| 16:3 | 232-27 | 1 | Stem-Valve |
| 17 | 23-7270 | 10 | Nut-Wheel |
| 18 | 87-1970 | 2 | Bearing |
| 19 | 87-4060 | 2 | Spacer-Bearing, Wheel |
| 20 | 108-7019 | 2 | Seal-Shaft |
| 21 | 87-7270 | 6 | Washer-Thrust |
| 22 | 325-20 | 5 | Screw-HH |

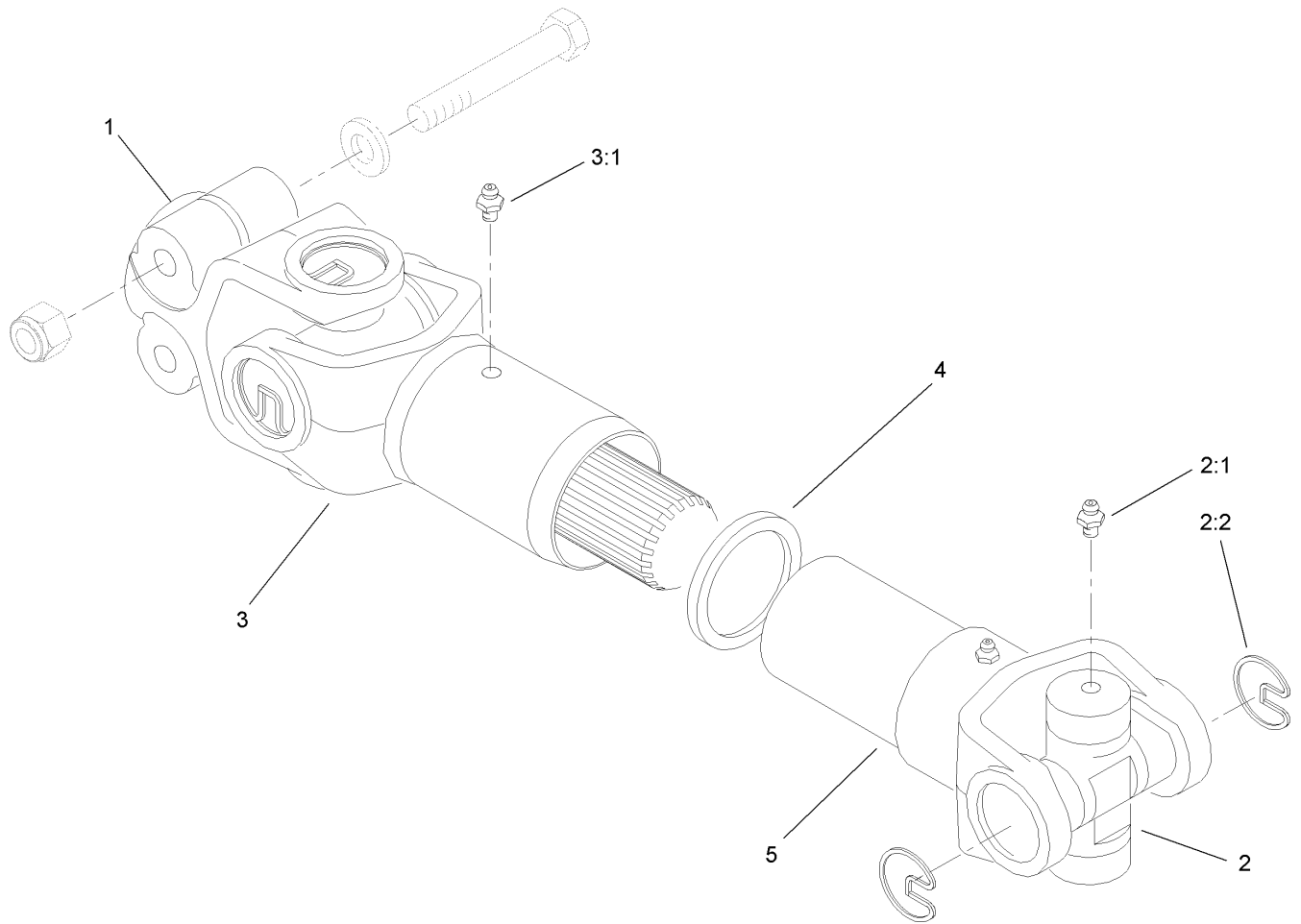
| Ref | Part No. | Qty. | Description |
|------|------------|------|-------------------|
| 23 | 325-19 | 1 | Screw-HH |
| 24 | 98-2918 | 2 | Driveshaft ASM |
| 25 | 32128-36 | 4 | Nut-HF |
| 26 | 98-2939 | 4 | Screw-Cap |
| 27 | 87-3310 | 2 | Clip-Cable, Brake |
| 28 | 80-6990 | 4 | Washer-Hardened |
| 30 | 105-7961 | 1 | Rear Axle ASM |
| 30:2 | 93-9442 | 1 | Decal-Atf |
| 30:3 | 93-9862 | 1 | Decal-Danger |
| 30:4 | 93-9449 | 2 | Decal-Driveshaft |
| 31 | 92-5951-03 | 1 | Angle-Hitch |
| 32 | 3296-39 | 4 | Nut-Lock, NI |
| 33 | 323-7 | 4 | Screw-HH |
| 35 | 92-4189 | 2 | Strap Kit |
| 36 | 92-4190 | 2 | Yoke |
| 37 | 105-1763 | 2 | Screw-HHF |



RH Rear Brake Assembly No. 93-7125

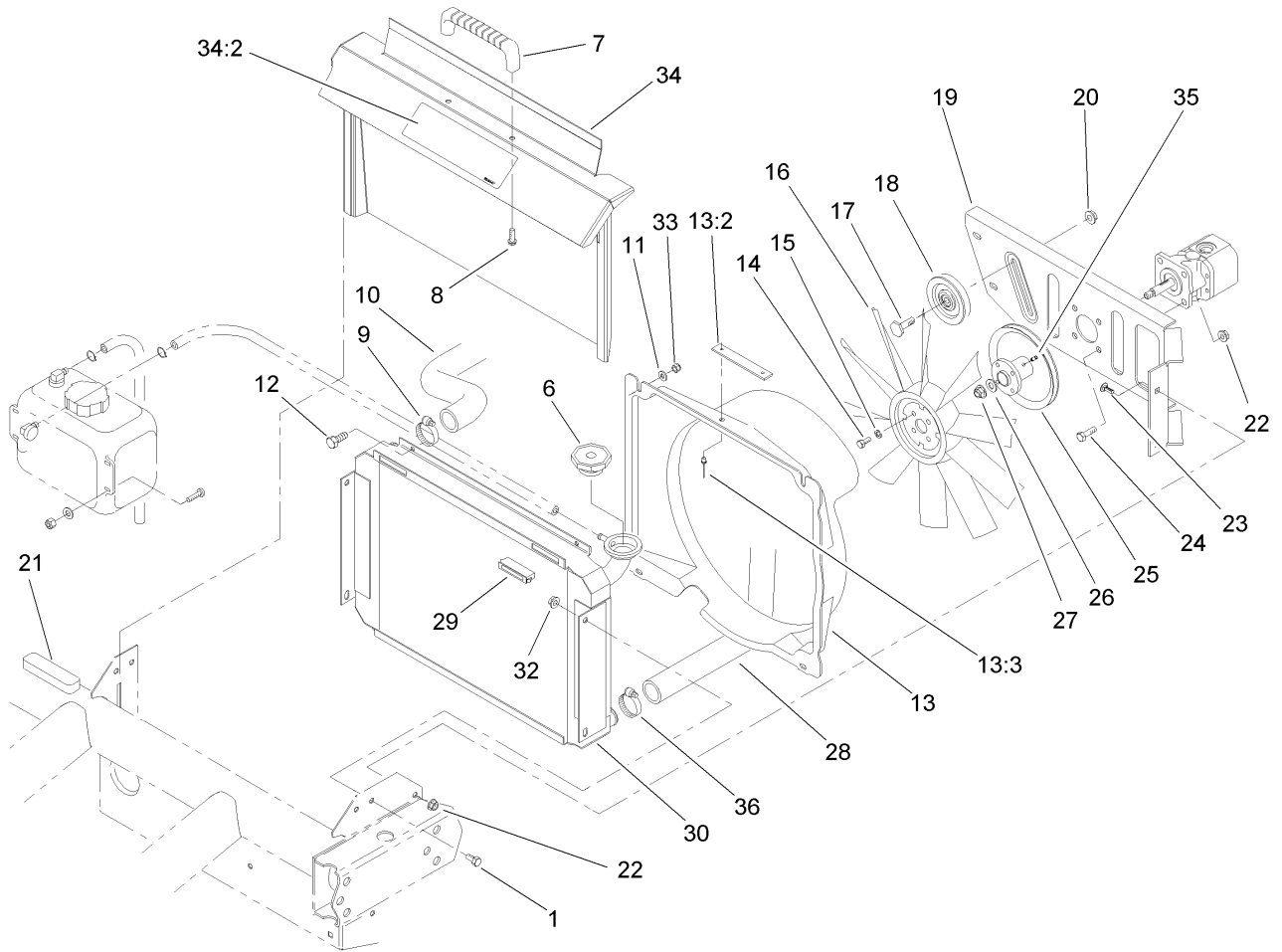
| Ref | Part No. | Qty. | Description |
|------|----------|------|---------------------------------|
| 1 | 92-4135 | 2 | Bolt-Set |
| 2 | 92-4100 | 1 | RH Backplate ASM |
| 2:1 | | 1 | Guide-Pipe |
| 3 | 92-4146 | 1 | Plunger ASM |
| 4 | 92-4143 | 1 | Lined Shoe Kit |
| 4:1 | | 1 | Lever-Operating |
| 4:2 | | 1 | Pin |
| 5 | 92-4148 | 1 | Spring-Return, Shoe (Upper, RH) |
| 6 | 92-4149 | 1 | Spring-Return, Shoe (Lower) |
| 7 | 92-4124 | 1 | RH Pawl Lever ASM |
| 7:1 | | 1 | Pin-Pawl |
| 8 | 92-4151 | 1 | Spring-Adjuster, RH |
| 9 | 92-4131 | 2 | Washer-Hold Down, Shoe |
| 10 | 92-4152 | 2 | Spring-Hold Down, Shoe |
| 11 | 92-4134 | 1 | Plug-Inspection |
| 12 | 92-4133 | 2 | Pin-Hold Down, Shoe |
| 13 | 92-4145 | 1 | RH Adjustor ASM |
| 13:1 | | 1 | Pushrod-Female |
| 13:2 | | 1 | Bolt-Adjuster |
| 13:3 | | 1 | Sleeve-Adjuster |
| 14 | 92-4141 | 1 | RH Wheel Cylinder ASM |
| 14:1 | 92-4137 | 1 | Screw-Bleed |
| 14:2 | 92-4114 | 1 | Cap-Screw, Bleed |
| 14:3 | | 1 | Body |

| Ref | Part No. | Qty. | Description |
|------|----------|------|-------------|
| 14:4 | | 1 | Spring |
| 14:5 | | 2 | Seal-L Type |
| 14:6 | | 2 | Piston |
| 14:7 | | 2 | Cover-Dust |
| 15 | 92-4142 | 1 | Seal Kit |
| 15:1 | | 2 | Seal-L Type |
| 15:2 | | 2 | Cover-Dust |



Driveshaft Assembly No. 98-2918

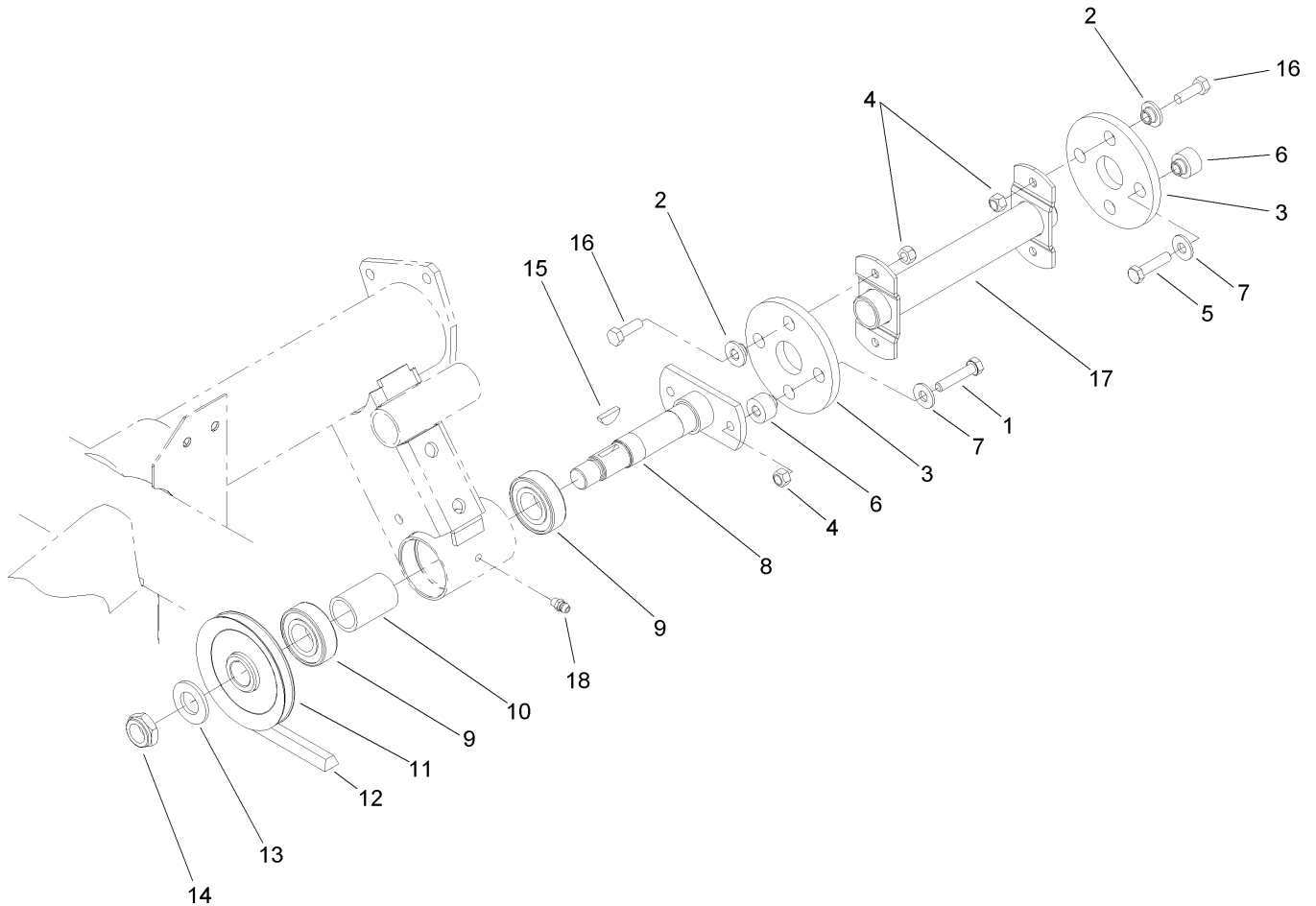
| Ref | Part No. | Qty. | Description |
|-----|----------|------|---------------------------|
| 1 | 98-2940 | 1 | Yoke |
| 2 | 92-4187 | 2 | Cross And Bearing Kit |
| 2:1 | 302-58 | 2 | Fitting-Grease |
| 2:2 | 92-4188 | 2 | Ring-Snap |
| 3 | 92-4179 | 1 | Yoke-Tube, Shaft And Seal |
| 3:1 | 302-5 | 1 | Fitting-Grease |
| 4 | 92-4180 | 1 | Seal |
| 5 | 92-4182 | 1 | Yoke And Hub |



Radiator and Hydraulic Pump Assembly

| Ref | Part No. | Qty. | Description |
|------|------------|------|----------------------|
| 1 | 322-2 | 4 | Screw-HH |
| 6 | 66-3240 | 1 | Cap-Radiator |
| 7 | 65-5100 | 1 | Handle-Door |
| 8 | 46-8091 | 2 | Screw-HWH |
| 9 | 2412-34 | 1 | Clamp-Hose |
| 10 | 105-1724 | 1 | Hose-Radiator, Upper |
| 11 | 3256-22 | 4 | Washer-Flat |
| 12 | 321-4 | 4 | Screw-HH |
| 13 | 105-7956 | 1 | Fan Shroud ASM |
| 13:2 | 98-9335 | 1 | Plate-Warning, Fan |
| 13:3 | 3290-271 | 2 | Rivet-Pop |
| 14 | 321-3 | 4 | Screw-HH |
| 15 | 3253-3 | 4 | Washer-Lock |
| 16 | 84-1880 | 1 | Fan |
| 17 | 32141-86 | 1 | Screw-Leveler |
| 18 | 63-8140 | 1 | Pulley-Idler |
| 19 | 93-7088-03 | 1 | Plate-Mount, Pump |
| 20 | 3290-357 | 1 | Nut-HHF, Whiz |
| 21 | 87-9810 | 1 | Foam-Overflow, Tank |
| 22 | 3296-29 | 8 | Nut-Lock, NI |
| 23 | 3230-23 | 4 | Screw-CARR |
| 24 | 322-5 | 4 | Screw-HH |
| 25 | 94-5237 | 1 | Fan Hub ASM |
| 26 | 3256-45 | 1 | Washer-Flat |

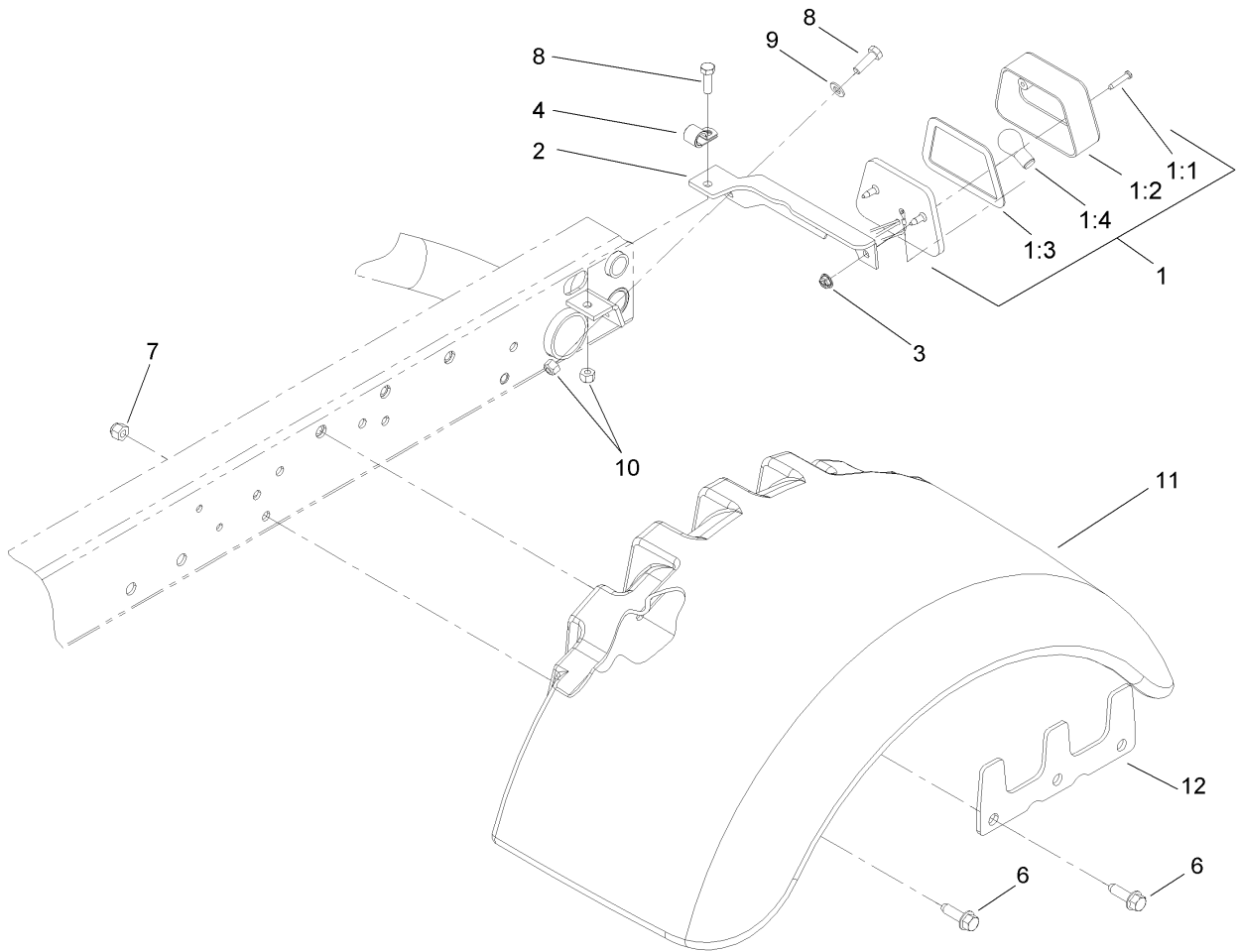
| Ref | Part No. | Qty. | Description |
|------|----------|------|----------------------|
| 27 | 3296-5 | 1 | Nut-Lock |
| 28 | 105-1725 | 1 | Hose-Radiator, Lower |
| 29 | 58-4250 | 2 | Catch-Magnetic |
| 30 | 93-7051 | 1 | Radiator |
| 32 | 32128-20 | 4 | Nut-HF |
| 33 | 3296-42 | 4 | Nut-Lock, NI |
| 34 | 105-4223 | 1 | Radiator Cover ASM |
| 34:2 | 93-9447 | 1 | Decal-Caution |
| 35 | 3245-31 | 1 | Screw-HSH |
| 36 | 2412-3 | 1 | Clamp-Hose |



Fan and Hydraulic Pump Drive Assembly

| Ref | Part No. | Qty. | Description |
|-----|------------|------|-------------------------|
| 1 | 33114-040 | 2 | Screw-HH |
| 2 | 27-6600 | 4 | Spacer-Coupling |
| 3 | 44-2230 | 2 | Coupling-Rubber |
| 4 | 33024-00 | 6 | Nut-Lock |
| 5 | 48-7740 | 2 | Screw |
| 6 | 27-6590 | 4 | Spacer-Coupling, Rubber |
| 7 | 3256-3 | 4 | Washer-Flat |
| 8 | 87-2720-03 | 1 | Shaft-Mask |
| 9 | 113514 | 2 | Bearing-Ball |
| 10 | 87-2750 | 1 | Spacer-Bearing |
| 11 | 87-3370 | 1 | Pulley And Hub ASM |
| 12 | 93-7140 | 1 | V-Belt-Pump |
| 13 | 3256-28 | 1 | Washer-Flat |
| 14 | 3296-15 | 1 | Nut-Lock, NI |
| 15 | 3257-7 | 1 | Key-Woodruff |
| 16 | 33114-025 | 4 | Screw-HH |
| 17 | 87-4440-03 | 1 | Driveshaft ASM |
| 18 | 302-5 | 1 | Fitting-Grease |

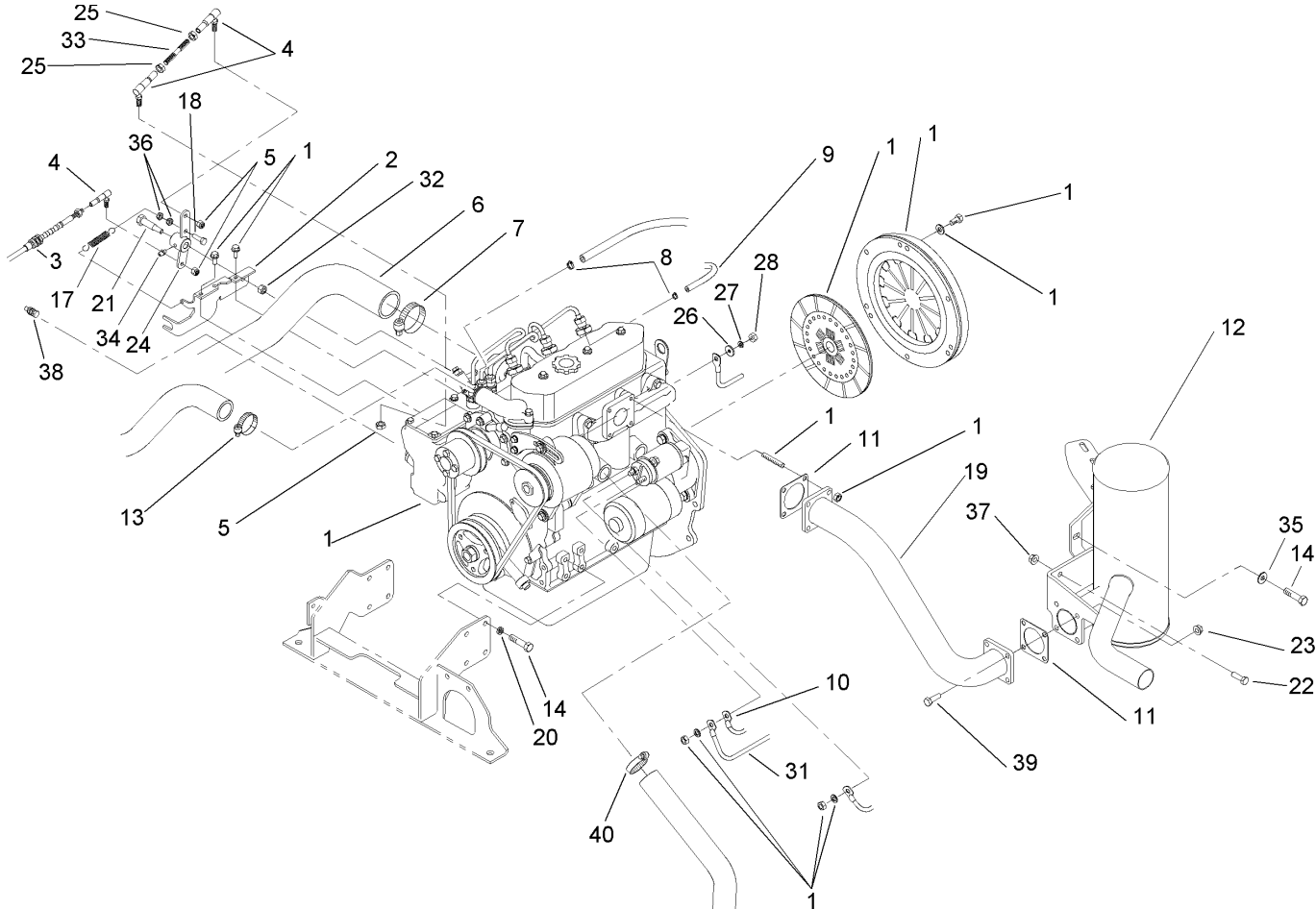
| | | | |
|--|--|--|--|
| | | | |
| | | | |
| | | | |
| | | | |



Tail Light and Fender Assembly

| Ref | Part No. | Qty. | Description |
|-----|-------------|------|---------------------------|
| 1 | 87-2110 | 1 | Light-Tail / Brake |
| 1:1 | 32144-93 | 4 | Screw-PPHTF |
| 1:2 | 87-6300 | 2 | Lens-Light, Tail |
| 1:3 | 87-6310 | 2 | Gasket-Light, Tail |
| 1:4 | | 1 | Bulb |
| 2 | 106-7872-03 | 1 | LH Tail Light Bracket ASM |
| 3 | 3290-506 | 2 | Palnut |
| 4 | 2412-93 | 1 | Clamp-R |
| 6 | 32144-109 | 10 | Screw |
| 7 | 3296-39 | 2 | Nut-Lock, NI |
| 8 | 322-5 | 2 | Screw-HH |
| 9 | 3256-23 | 1 | Washer-Flat |
| 10 | 3296-29 | 2 | Nut-Lock, NI |
| 11 | 106-2373 | 2 | Fender-Rear |
| 12 | 106-7895-03 | 2 | Plate-Support |

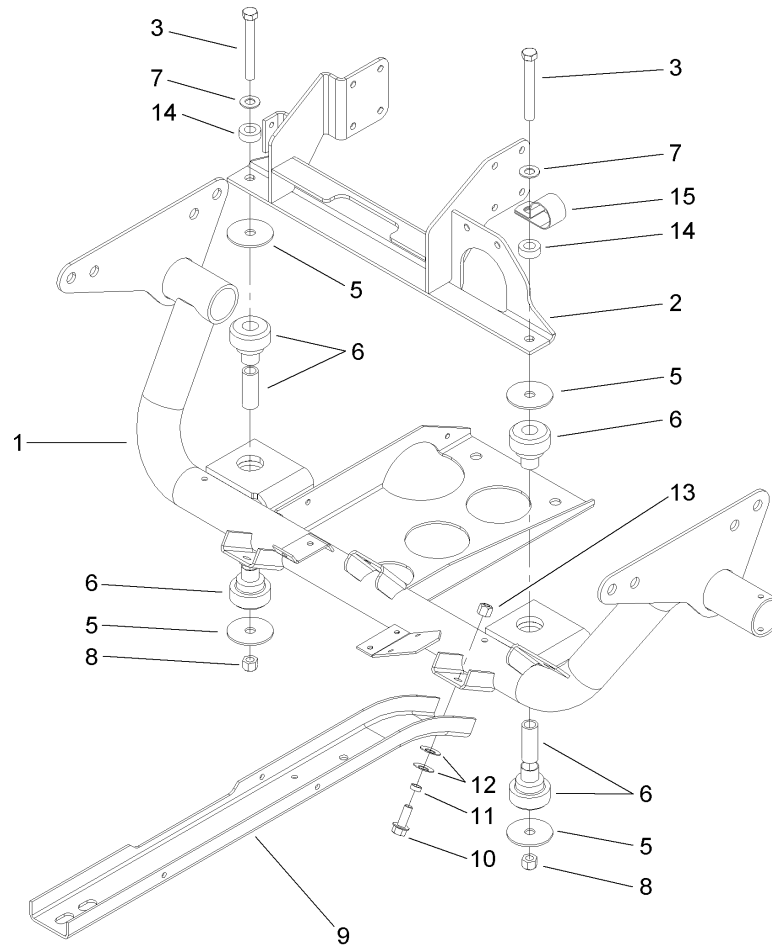
| Ref | Part No. | Qty. | Description |
|-----|----------|------|-------------|
| | | | |
| | | | |
| | | | |
| | | | |



Diesel Engine Assembly

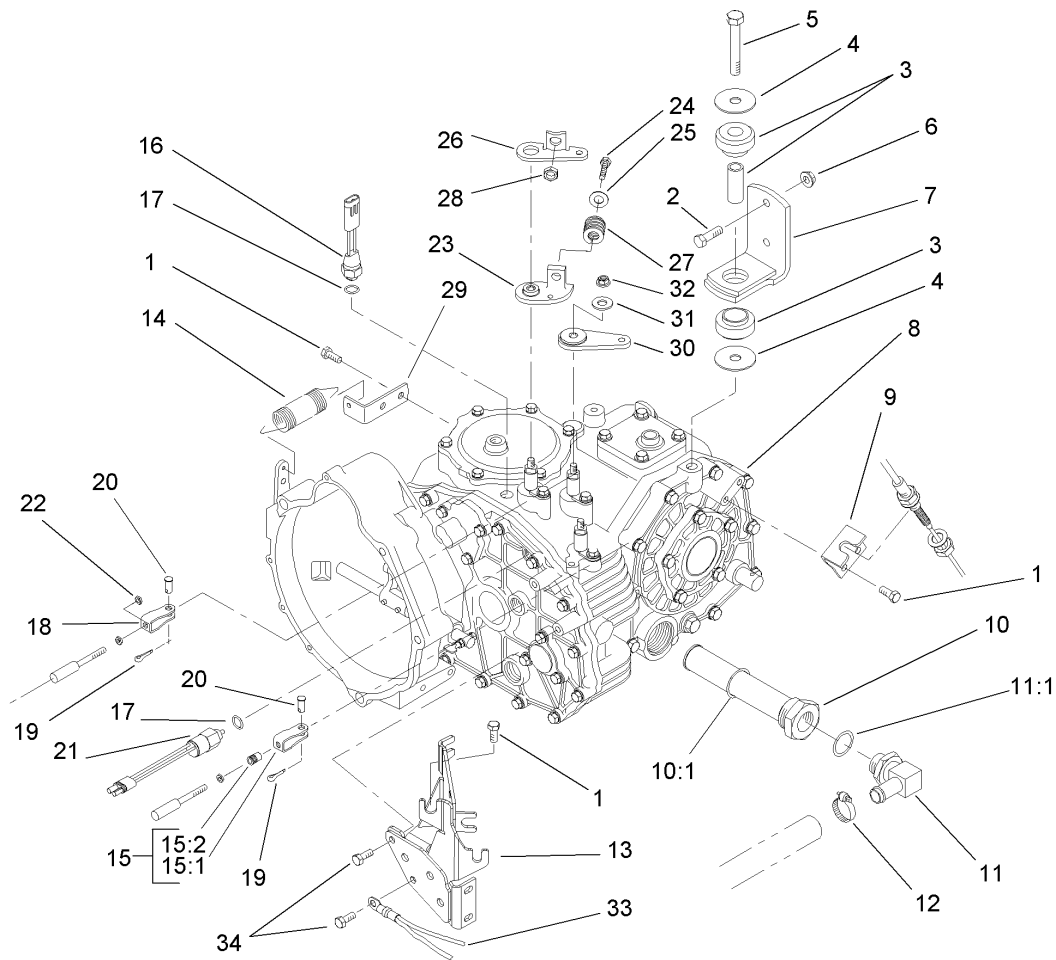
| Ref | Part No. | Qty. | Description |
|-----|-----------|------|----------------------------|
| 1 | 105-4152 | 1 | Engine ASM |
| 2 | 106-2403 | 1 | Bracket-Throttle, Diesel |
| 3 | 110-2549 | 1 | Cable-Accelerator |
| 4 | 18-1720 | 3 | Governor Ball Joint ASM |
| 5 | 3296-3 | 3 | Nut-Lock |
| 6 | 107-7960 | 1 | Hose-Intake |
| 7 | 2412-92 | 1 | Clamp-Hose |
| 8 | 2412-108 | 2 | Clamp-Worm |
| 9 | 109-0289 | 1 | Hose-Fuel |
| 10 | 99-3441 | 1 | Harness-Wire, Fusible Link |
| 11 | 105-4209 | 2 | Gasket-Muffler |
| 12 | 105-1778 | 1 | Muffler-Exhaust |
| 13 | 2412-34 | 1 | Clamp-Hose |
| 14 | 33114-020 | 9 | Screw-HH |
| 17 | 86-4760 | 1 | Spring-Extension |
| 18 | 321-5 | 1 | Screw-HH |
| 19 | 108-3066 | 1 | Exhaust Tube ASM |
| 20 | 3253-4 | 8 | Washer-Lock |
| 21 | 7-0030 | 1 | Bolt-Shoulder |
| 22 | 322-5 | 2 | Screw-HH |
| 23 | 32128-25 | 4 | Nut-HF |
| 24 | 105-1726 | 1 | Bell Crank ASM |
| 25 | 3220-1 | 2 | Nut-Jam |
| 26 | 3256-2 | 1 | Washer-Flat |

| Ref | Part No. | Qty. | Description |
|-----|----------|------|---------------------|
| 27 | 43-5920 | 1 | Washer-Lock, Spring |
| 28 | 48-7880 | 1 | Nut-Hex |
| 31 | 110-1654 | 1 | Cable-Positive |
| 32 | 3296-29 | 1 | Nut-Lock, NI |
| 33 | 105-1789 | 1 | Rod-Threaded |
| 34 | 302-5 | 1 | Fitting-Grease |
| 35 | 87-8640 | 1 | Washer-Flat |
| 36 | 3296-56 | 2 | Nut-Lock, NI |
| 37 | 32128-20 | 2 | Nut-HF |
| 38 | 94-7621 | 1 | Sender-Temperature |
| 39 | 3274-22 | 4 | Screw-HSH |
| 40 | 2412-3 | 1 | Clamp-Hose |



Engine Support Assembly

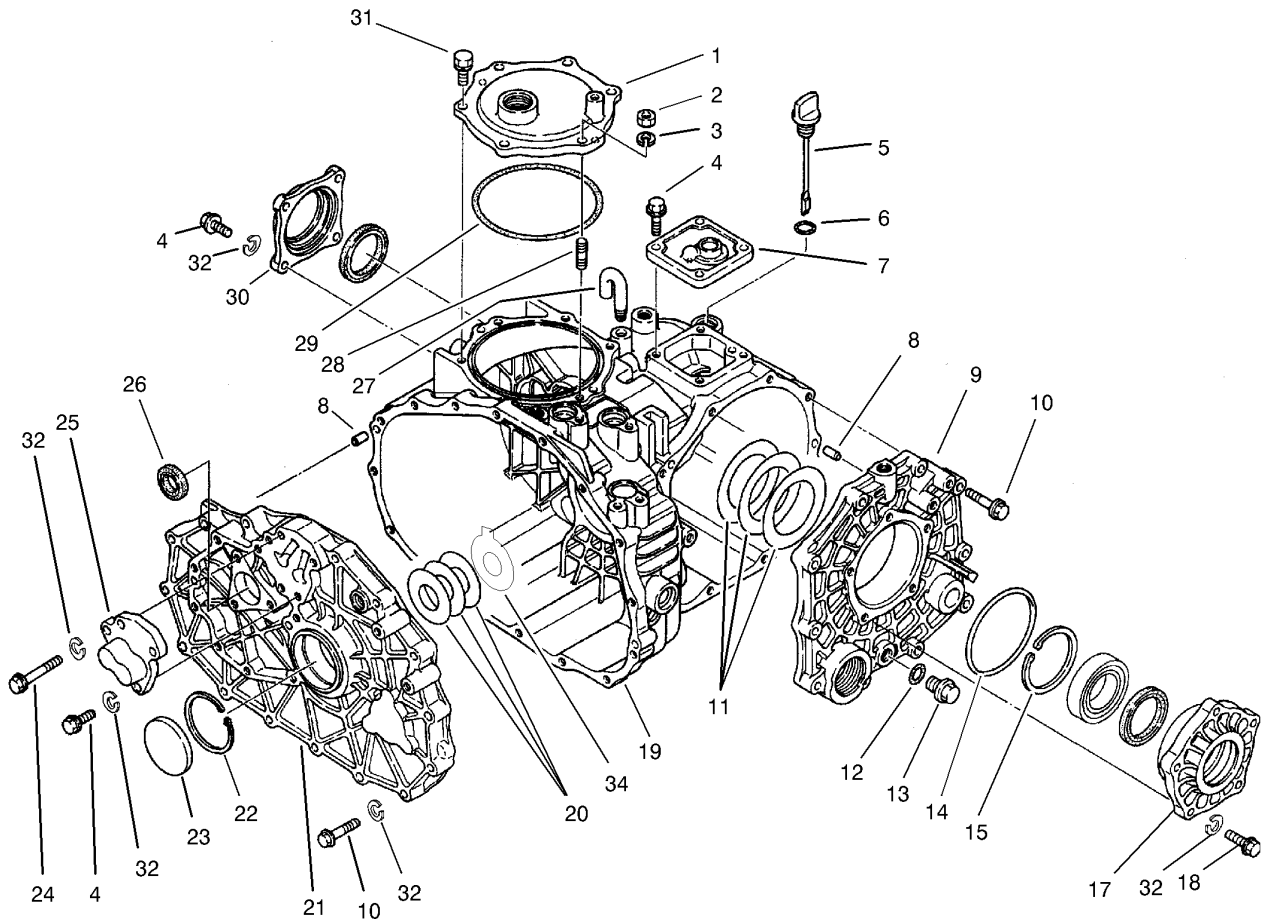
| Ref | Part No. | Qty. | Description |
|-----|-------------|------|--------------------|
| 1 | 105-4200-03 | 1 | Engine Support ASM |
| 2 | 104-9238-03 | 1 | Engine Mount ASM |
| 3 | 324-19 | 2 | Screw-HH |
| 5 | 87-5100 | 4 | Washer-Snubbing |
| 6 | 106-7865 | 2 | Engine Mount ASM |
| 7 | 3256-25 | 2 | Washer-Flat |
| 8 | 3296-48 | 2 | Nut-Lock, NI |
| 9 | 87-4730-03 | 2 | Guard-Belly |
| 10 | 3234-11 | 6 | Screw-HHF |
| 11 | 76-9100 | 6 | Spacer-Speed, Reel |
| 12 | 3290-413 | 12 | Washer-Belleville |
| 13 | 3296-39 | 6 | Nut-Lock, NI |
| 14 | 59-2290 | 2 | Spacer |
| 15 | 2412-82 | 1 | Clamp |



Transaxle Assembly

| Ref | Part No. | Qty. | Description |
|------|-------------|------|----------------------------|
| 1 | 33114-020 | 5 | Screw-HH |
| 2 | 323-7 | 4 | Screw-HH |
| 3 | 106-7865 | 2 | Engine Mount ASM |
| 4 | 87-5100 | 4 | Washer-Snubbing |
| 5 | 33116-080 | 2 | Screw-HH |
| 6 | 3296-39 | 4 | Nut-Lock, NI |
| 7 | 87-5800-03 | 2 | Transaxle Mount ASM |
| 8 | 105-4190 | 1 | 4Wd Transaxle ASM |
| 9 | 87-4470 | 1 | Bracket-Lock, Differential |
| 10 | 87-3990 | 1 | Strainer-Transaxle |
| 10:1 | 237-123 | 1 | O-Ring |
| 11 | 353-987 | 1 | Fitting-HYD, 90 DEG |
| 11:1 | 237-81 | 1 | O-Ring |
| 12 | 2412-34 | 1 | Clamp-Hose |
| 13 | 105-4207-03 | 1 | Cable Mount ASM |
| 14 | 68-9950 | 1 | Spring-Traction |
| 15 | 87-7160 | 1 | Cable Clevis ASM |
| 15:1 | 87-2310 | 1 | Clevis-Cable |
| 15:2 | 32148-15 | 1 | Nut-Insert |
| 16 | 72-4310 | 1 | Switch-Ball |
| 17 | 237-30 | 2 | O-Ring |
| 18 | 87-2310 | 2 | Clevis-Cable |
| 19 | 3272-6 | 3 | Pin-Cotter |
| 20 | 283-62 | 3 | Pin-Clevis |

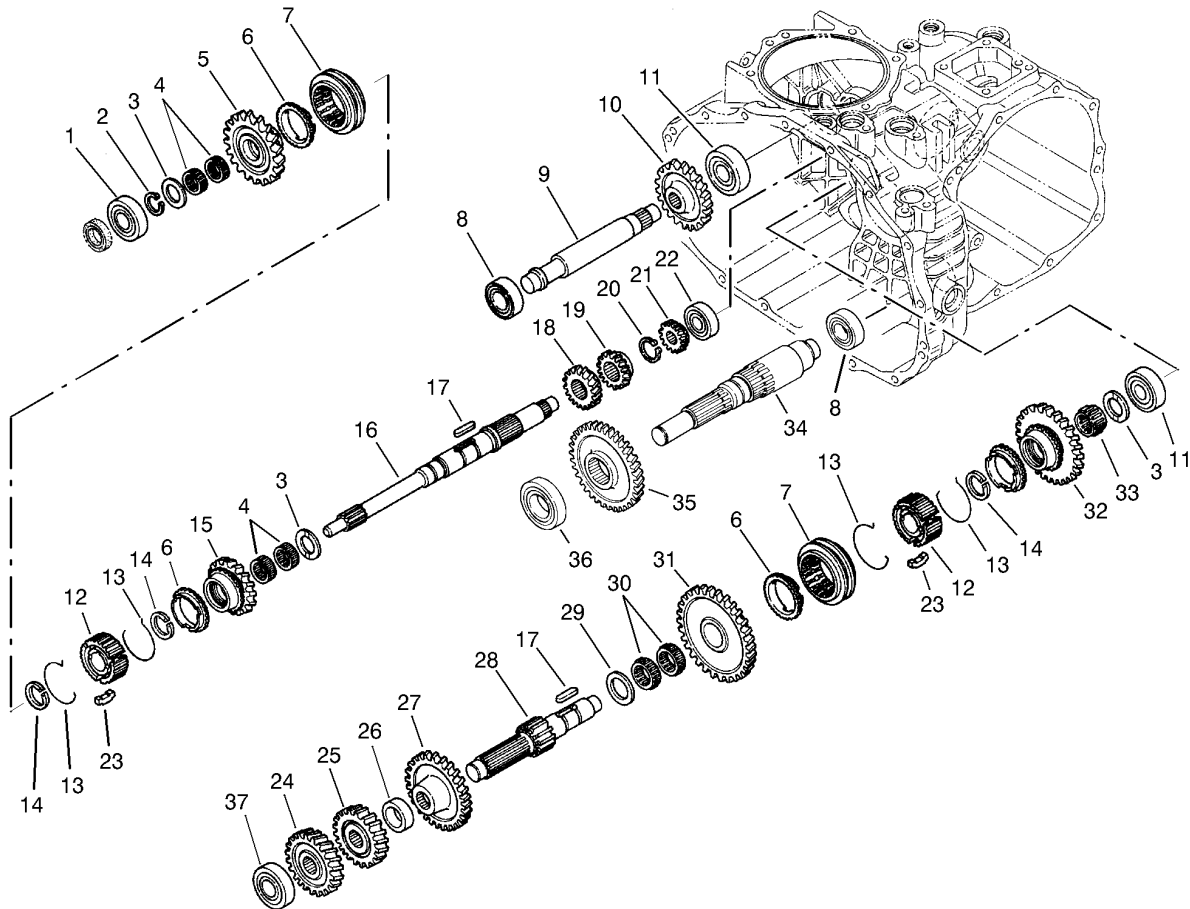
| Ref | Part No. | Qty. | Description |
|-----|-----------|------|-------------------------|
| 21 | 87-6710 | 1 | Switch-Transmission |
| 22 | 3220-1 | 2 | Nut-Jam |
| 23 | 87-7970 | 1 | Arm-Shift |
| 24 | 323-10 | 1 | Screw-HH |
| 25 | 3256-4 | 1 | Washer-Flat |
| 26 | 87-8250 | 1 | Plate-Arm, Shift |
| 27 | 87-6910 | 1 | Spring-Compression |
| 28 | 32128-21 | 1 | Nut-HF |
| 29 | 87-7170 | 1 | Bracket-Spring, Clutch |
| 30 | 87-7960 | 2 | Lever-Shift |
| 31 | 80-6990 | 3 | Washer-Hardened |
| 32 | 48-9520 | 3 | Nut |
| 33 | 87-3080 | 1 | Cable-Battery, Negative |
| 34 | 33114-025 | 2 | Screw-HH |



Case Assembly Transaxle Assembly No. 105-4190

| Ref | Part No. | Qty. | Description |
|-----|-----------|------|----------------------|
| 1 | 92-0656 | 1 | Cover-Upper, PTO |
| 2 | 68-9400 | 1 | Nut-Flange |
| 3 | 92-0762 | 1 | Washer-Spring |
| 4 | 33114-025 | 11 | Screw-HH |
| 5 | 92-0662 | 1 | Cap-Oil |
| 6 | 92-0788 | 1 | O-Ring |
| 7 | 92-0652 | 1 | Cover-Upper |
| 8 | 92-0765 | 4 | Pin-Parallel |
| 9 | 92-0653 | 1 | Cover-Side |
| 10 | 33114-040 | 25 | Screw-HH |
| 11 | 92-0809 | 1 | Set-Shim |
| 12 | 92-0787 | 1 | O-Ring |
| 13 | 92-0773 | 1 | Plug-Drain |
| 14 | 92-0789 | 1 | O-Ring |
| 15 | 92-0760 | 1 | Ring-Snap |
| 17 | 92-0654 | 1 | Carrier-Differential |
| 18 | 33114-030 | 5 | Screw-HH |
| 19 | 92-0651 | 1 | Case-Transmission |
| 20 | 100-4460 | 1 | Shim Set |
| 21 | 100-4462 | 1 | Plate-Center, 4Wd |
| 22 | 92-0759 | 1 | Ring-Snap |
| 23 | 92-0807 | 1 | Cap-Sealing |
| 24 | 48-7560 | 1 | Bolt-HH |
| 25 | 92-0706 | 1 | Shaft-Fork |

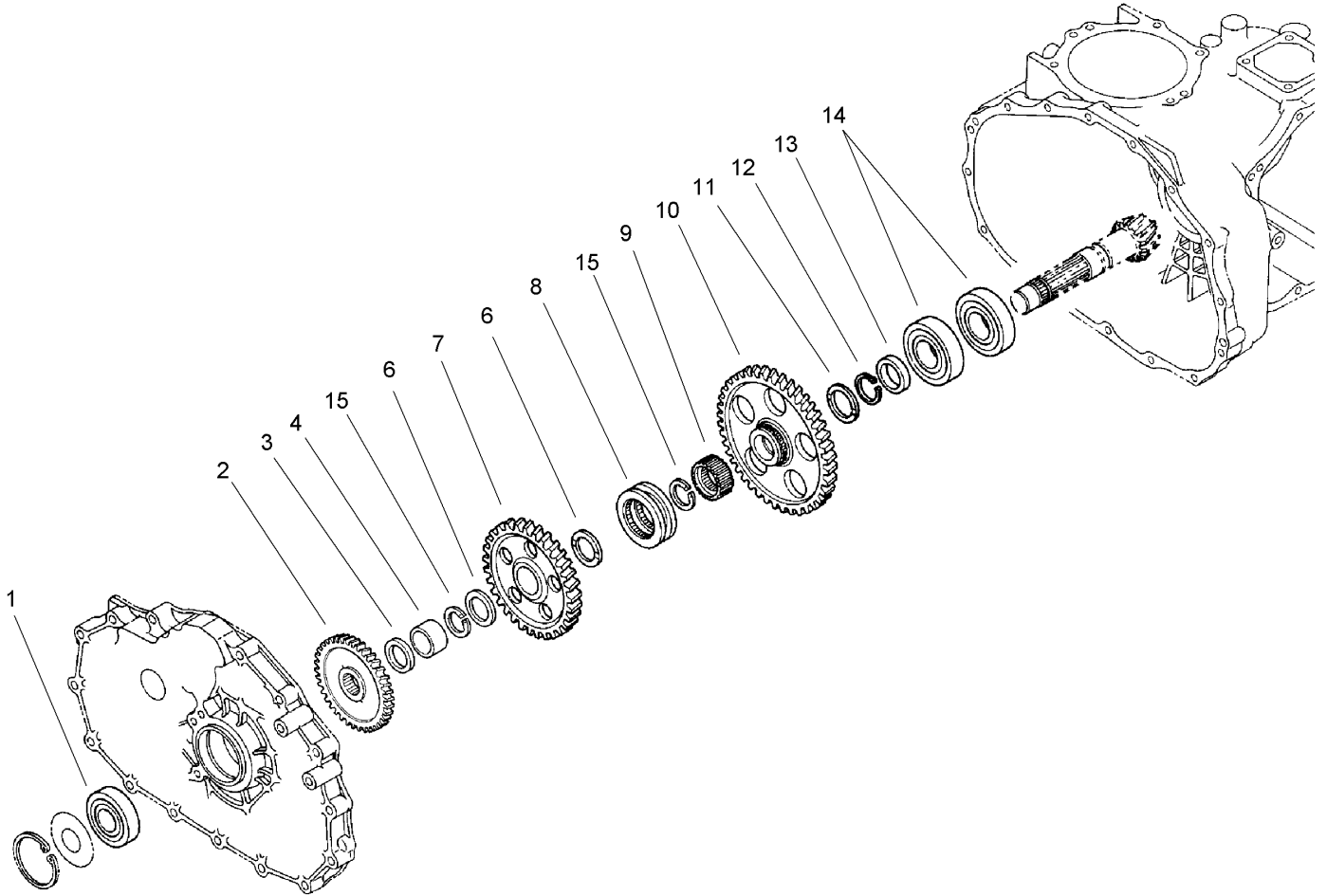
| Ref | Part No. | Qty. | Description |
|-----|----------|------|------------------|
| 26 | 92-0791 | 1 | Seal-Oil |
| 27 | 92-0743 | 1 | Breather-Air |
| 28 | 92-0804 | 1 | Stud |
| 29 | 92-0790 | 1 | O-Ring |
| 30 | 92-0655 | 1 | Cover-Seal, Axle |
| 31 | 92-0796 | 5 | Bolt |
| 32 | 3253-4 | 42 | Washer-Lock |
| 34 | 100-4465 | 1 | Shim (W/Tab) |



Gear Shaft Assembly Transaxle Assembly No. 105-4190

| Ref | Part No. | Qty. | Description |
|-----|----------|------|--------------------------|
| 1 | 251-8 | 1 | Bearing-Ball |
| 2 | 92-0753 | 1 | Ring-Snap |
| 3 | 92-0740 | 3 | Washer-Thrust |
| 4 | 92-0781 | 4 | Bearing-Needle |
| 5 | 110-2521 | 1 | Gear-Main, 27T |
| 6 | 92-0667 | 3 | Ring-Synchro |
| 7 | 92-0668 | 2 | Shifter-Synchro |
| 8 | 251-346 | 2 | Bearing-Ball |
| 9 | 92-0824 | 1 | Shaft-Idler, Reverse |
| 10 | 92-0684 | 1 | Gear-Reverse, 33 Tooth |
| 11 | 92-0778 | 2 | Bearing |
| 12 | 92-0664 | 2 | Hub-Synchro |
| 13 | 92-0666 | 4 | Spring-Synchro |
| 14 | 92-0763 | 3 | Ring-Snap |
| 15 | 110-2522 | 1 | Gear- Main, 24T |
| 16 | 92-0663 | 1 | Shaft-Main |
| 17 | 92-0772 | 2 | Key |
| 18 | 92-0687 | 1 | Gear-Main, 16 Tooth |
| 19 | 92-0672 | 1 | Gear-Main, 18 Tooth |
| 20 | 92-0754 | 1 | Ring-Snap |
| 21 | 92-0673 | 1 | Gear-Main, 14 Tooth |
| 22 | 92-0650 | 1 | Bearing |
| 23 | 92-0665 | 6 | Key-Synchro |
| 24 | 92-0822 | 1 | Gear-Reduction, 28 Tooth |

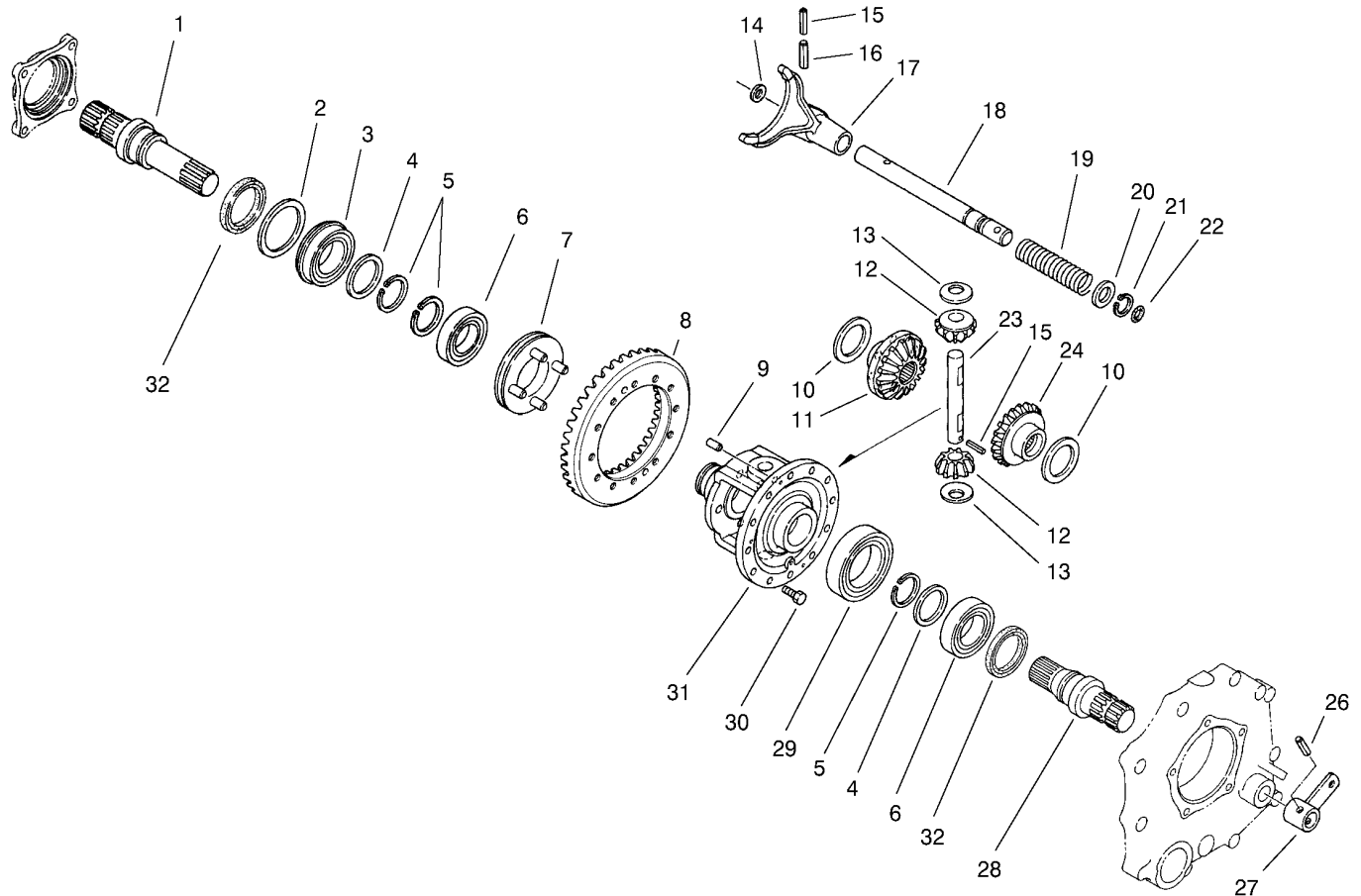
| Ref | Part No. | Qty. | Description |
|-----|----------|------|---------------------------|
| 25 | 92-0679 | 1 | Gear-Reduction, H23 Tooth |
| 26 | 92-0680 | 1 | Collar |
| 27 | 92-0823 | 1 | Gear-Reduction, 43 Tooth |
| 28 | 92-0674 | 1 | Shaft-Reduction |
| 29 | 92-0682 | 1 | Washer-Thrust |
| 30 | 92-0681 | 2 | Bearing-Needle |
| 31 | 110-2524 | 1 | Gear- Reduction, 49T |
| 32 | 92-0819 | 1 | Gear-Reduction, 40 Tooth |
| 33 | 92-0782 | 1 | Bearing-Needle |
| 34 | 92-5183 | 1 | Driveshaft-Front |
| 35 | 92-5184 | 1 | Gear |
| 36 | 92-5185 | 1 | Bearing |
| 37 | 105-7985 | 1 | Bearing |



Countershaft Assembly Transaxle Assembly No. 105-4190

| Ref | Part No. | Qty. | Description |
|-----|----------|------|---------------------|
| 1 | 92-0712 | 1 | Bearing-Ball |
| 2 | 92-5186 | 1 | Pinion |
| 3 | 92-0716 | 1 | Collar |
| 4 | 92-0783 | 1 | Race-Inner |
| 6 | 92-0711 | 2 | Washer-Thrust |
| 7 | 92-0715 | 1 | Gear-Shaft, Counter |
| 8 | 92-0718 | 1 | Shifter |
| 9 | 105-7986 | 1 | Collar-Spline |
| 10 | 92-0717 | 1 | Gear-Shaft, Counter |
| 11 | 92-0741 | 1 | Washer-Thrust |
| 12 | 92-0755 | 1 | Ring-Snap |
| 13 | 92-0713 | 1 | Collar |
| 14 | 92-0714 | 2 | Bearing |
| 15 | 105-7987 | 2 | Ring-Snap |

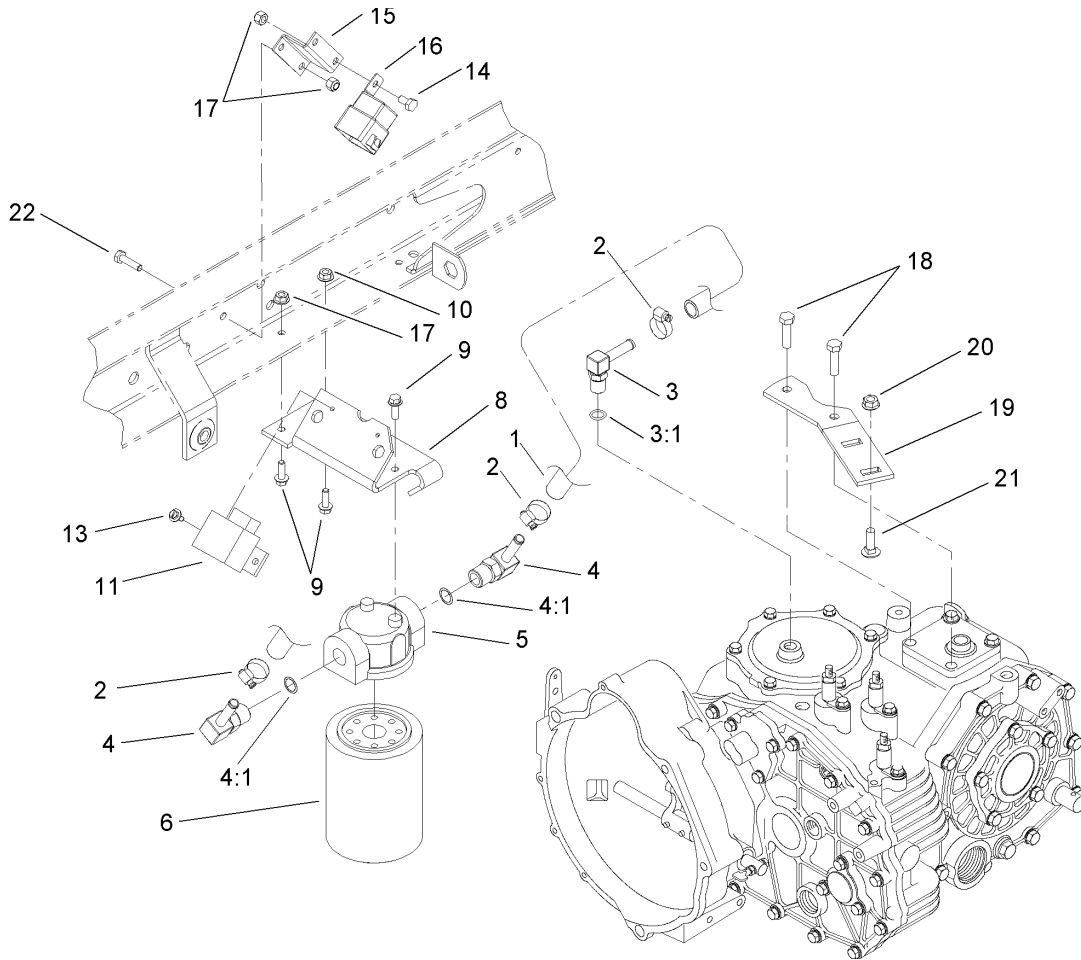
| | | | |
|--|--|--|--|
| | | | |
|--|--|--|--|



Differential Gear Assembly Transaxle Assembly No. 105-4190

| Ref | Part No. | Qty. | Description |
|-----|----------|------|-------------------------------|
| 1 | 92-0726 | 1 | Shaft-Axle, Right |
| 2 | 92-0728 | 1 | Washer |
| 3 | 92-0780 | 1 | Bearing |
| 4 | 92-0727 | 2 | Washer |
| 5 | 92-0756 | 3 | Ring-Snap |
| 6 | 92-0775 | 2 | Bearing |
| 7 | 92-0730 | 1 | Slider-Differential, Lock |
| 8 | 105-7983 | 1 | Countershaft And Ring Gear |
| 9 | 92-0765 | 2 | Pin-Parallel |
| 10 | 92-0747 | 2 | Side-Gear, Left Inner |
| 11 | 92-0746 | 1 | Gear-Side, RH |
| 12 | 92-0748 | 2 | Pinion-Differential |
| 13 | 92-0750 | 2 | Washer |
| 14 | 92-0744 | 1 | Washer |
| 15 | 92-0768 | 2 | Pin-Roll, Spring |
| 16 | 92-0771 | 1 | Pin-Roll, Spring |
| 17 | 92-0721 | 1 | Fork-Lock, Differential |
| 18 | 92-0722 | 1 | Shaft-Fork, Lock Differential |
| 19 | 92-0723 | 1 | Spring-Lock, Differential |
| 20 | 92-0733 | 1 | Washer |
| 21 | 92-0753 | 1 | Ring-Snap |
| 22 | 92-0787 | 1 | O-Ring |
| 23 | 92-0749 | 1 | Shaft-Pinion |
| 24 | 92-0745 | 1 | Gear-Side, LH |

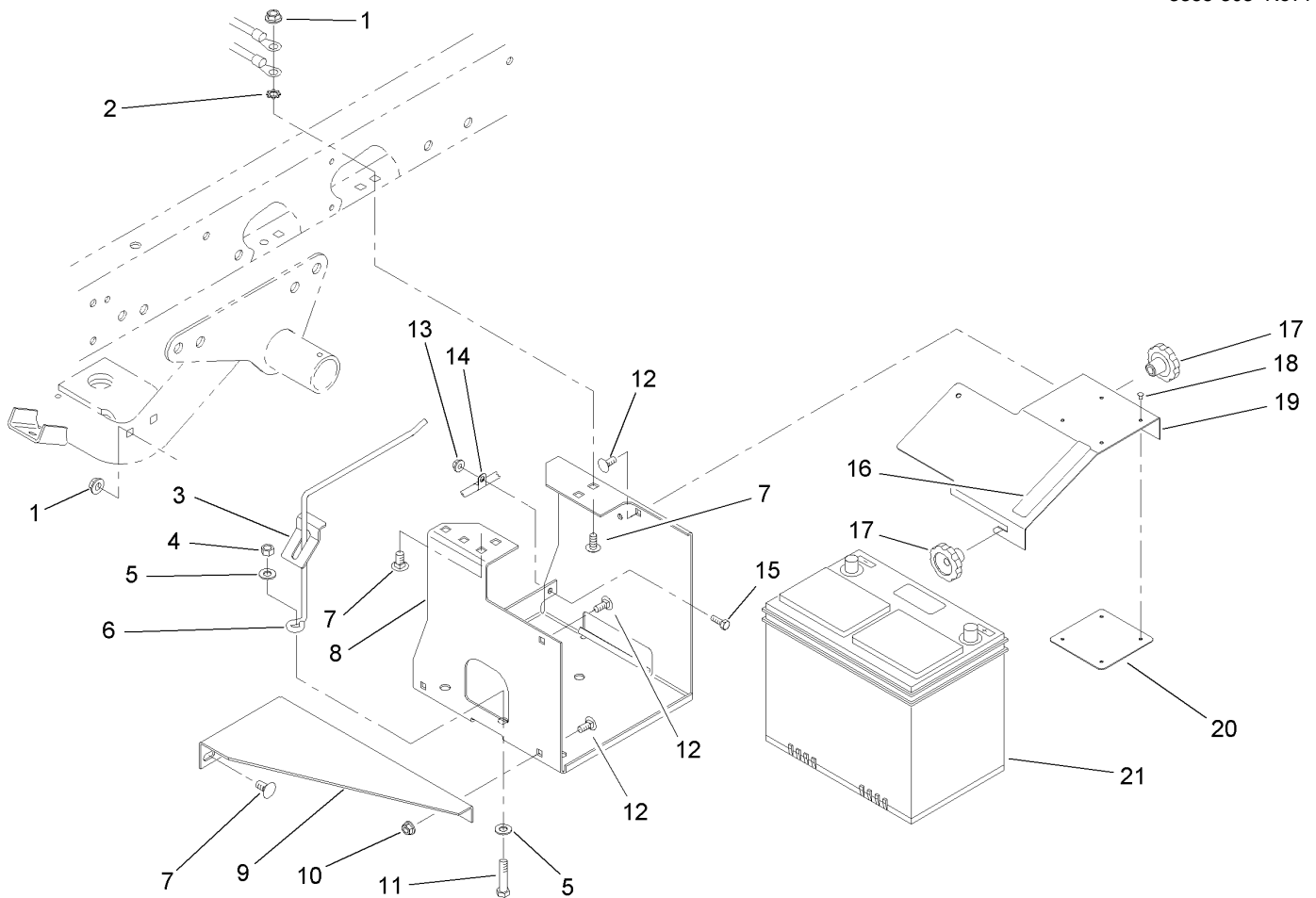
| Ref | Part No. | Qty. | Description |
|-----|----------|------|------------------------|
| 26 | 92-0770 | 1 | Pin-Roll, Spring |
| 27 | 92-0724 | 1 | Arm-Lock, Differential |
| 28 | 92-0725 | 1 | Shaft-Axle, Left |
| 29 | 92-0776 | 1 | Bearing |
| 30 | 92-0803 | 12 | Bolt |
| 31 | 92-0720 | 1 | Case-Differential |
| 32 | 92-0793 | 2 | Seal-Oil |



Diesel Hydraulic Filter and Relay Assembly

| Ref | Part No. | Qty. | Description |
|-----|-----------|------|--------------------------|
| 1 | 87-5730 | 1 | Hose |
| 2 | 2412-36 | 3 | Clamp-Hose |
| 3 | 100-4887 | 1 | Fitting-Barb |
| 3:1 | 237-42 | 1 | O-Ring |
| 4 | 354-134 | 2 | Fitting-HYD, 90 DEG |
| 4:1 | 237-79 | 1 | O-Ring |
| 5 | 87-8780 | 1 | Head-Filter |
| 6 | 54-0110 | 1 | Filter-Oil, Transmission |
| 8 | 105-4199 | 1 | Bracket-Mount, Filter |
| 9 | 3234-4 | 3 | Screw-HHF |
| 10 | 32128-33 | 1 | Nut-HF |
| 11 | 99-7435 | 1 | Relay-Power |
| 13 | 32144-112 | 1 | Screw-HWH |
| 14 | 321-2 | 1 | Screw-HH |
| 15 | 105-1776 | 1 | Bracket-Mount, Relay |
| 16 | 99-7430 | 1 | Relay |
| 17 | 32128-33 | 3 | Nut-HF |
| 18 | 33114-030 | 2 | Screw-HH |
| 19 | 105-9472 | 1 | Plate-Mount, Muffler |
| 20 | 32128-20 | 2 | Nut-HF |
| 21 | 3230-2 | 2 | Bolt-CARR |
| 22 | 321-4 | 2 | Screw-HH |

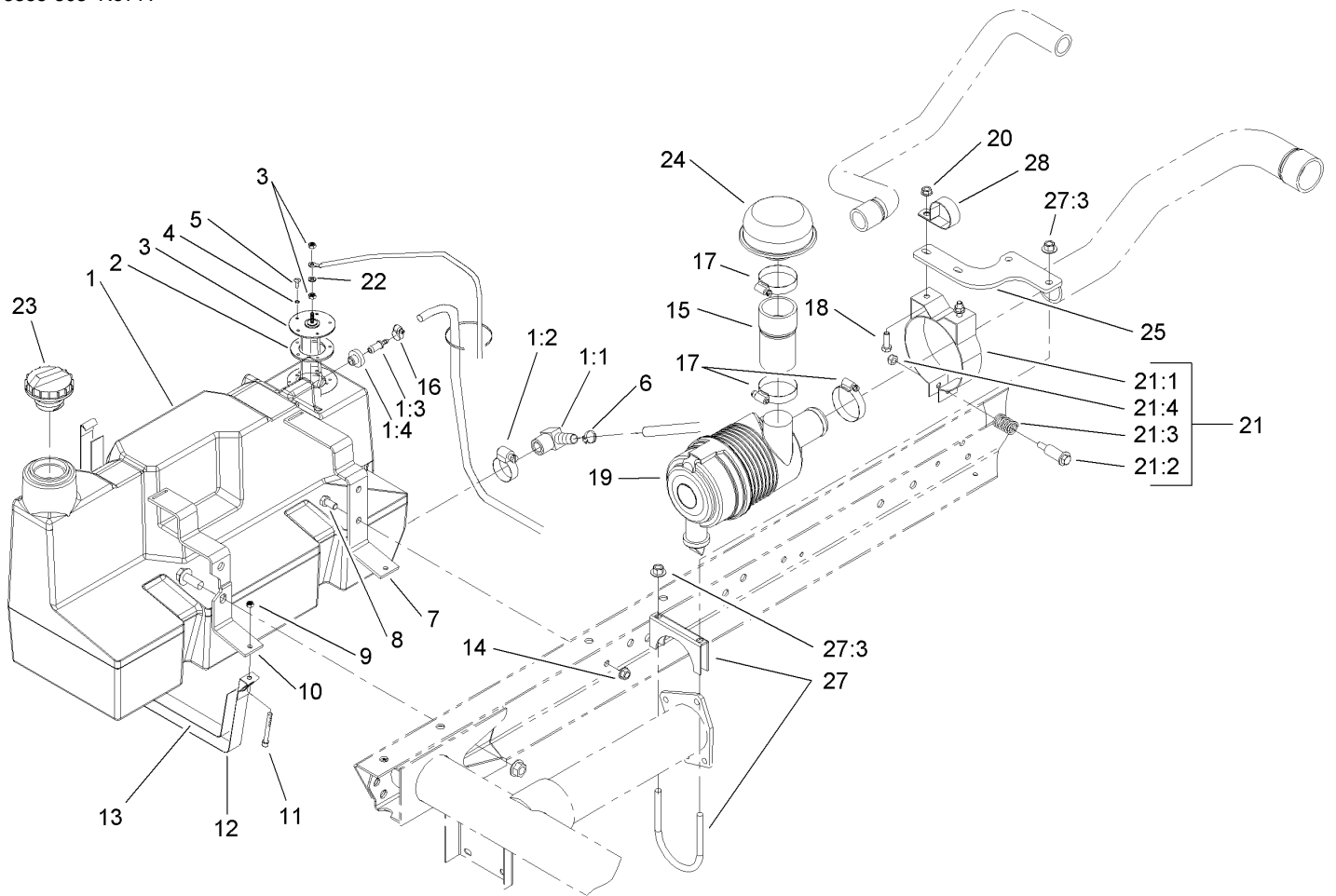
| | | | |
|--|--|--|--|
| | | | |
| | | | |
| | | | |
| | | | |



Battery Assembly

| Ref | Part No. | Qty. | Description |
|-----|------------|------|--------------------------|
| 1 | 3290-357 | 6 | Nut-HHF, Whiz |
| 2 | 3255-9 | 1 | Washer-Lock, EXT |
| 3 | 87-7610 | 1 | Tab-Support, Battery |
| 4 | 3296-39 | 1 | Nut-Lock, NI |
| 5 | 3256-24 | 2 | Washer-Flat |
| 6 | 87-7600 | 1 | Rod-Support, Battery |
| 7 | 3231-21 | 6 | Screw-CARR |
| 8 | 87-5120-03 | 1 | Bracket-Holder, Battery |
| 9 | 87-5110-03 | 1 | Support-Base, Battery |
| 10 | 32128-20 | 2 | Nut-HF |
| 11 | 323-9 | 1 | Screw-HH |
| 12 | 3230-23 | 4 | Screw-CARR |
| 13 | 32128-33 | 1 | Nut-HF |
| 14 | 2412-89 | 1 | Clamp |
| 15 | 321-4 | 1 | Screw-HH |
| 16 | 93-6687 | 1 | Decal-No Step |
| 17 | 19-4050 | 2 | Knob |
| 18 | 3269-27 | 4 | Rivet-Snap |
| 19 | 87-5130-03 | 1 | Cover-Battery |
| 20 | 87-7620 | 1 | Shield-Terminal, Battery |
| 21 | 106-5190 | 1 | Battery |

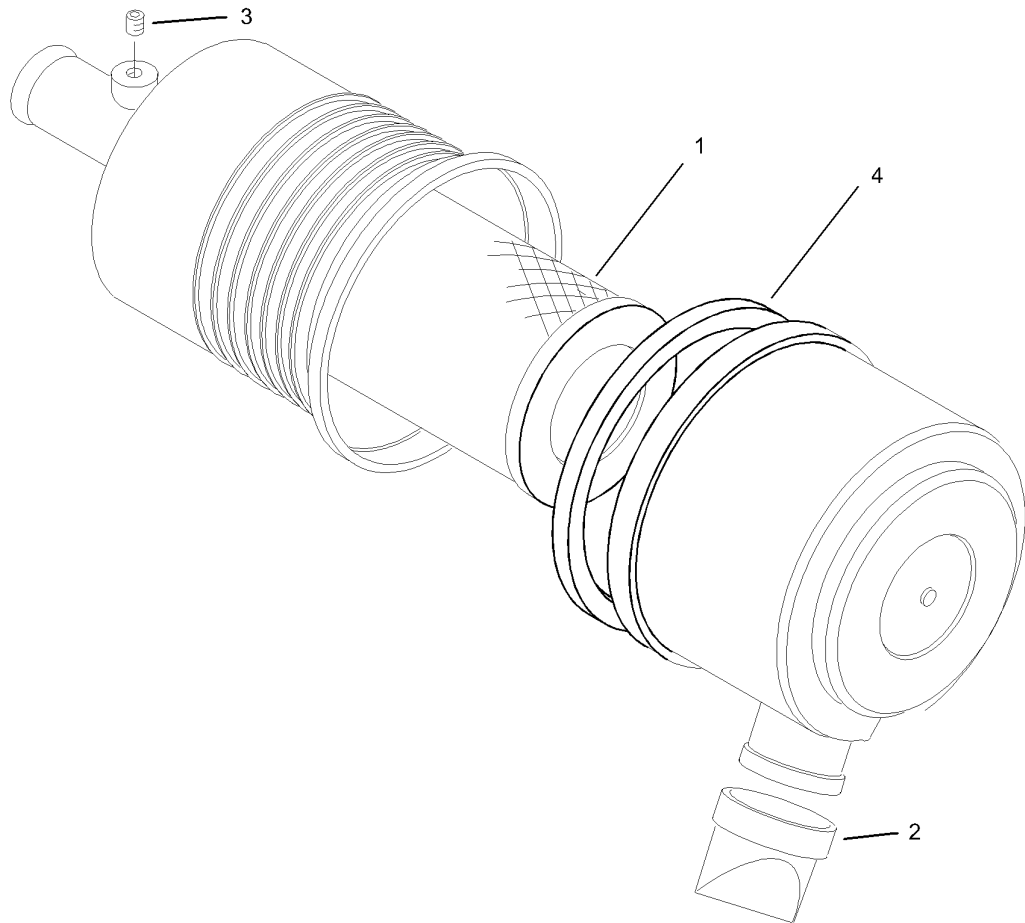
| | | | |
|--|--|--|--|
| | | | |
| | | | |
| | | | |
| | | | |



Diesel Fuel Tank and Air Cleaner Assembly

| Ref | Part No. | Qty. | Description |
|-----|------------|------|-------------------------|
| 1 | 98-2915 | 1 | Tank-Fuel |
| 1:1 | 353-781 | 1 | Fitting-Elbow |
| 1:2 | 2412-36 | 1 | Clamp-Hose |
| 1:3 | 98-2952 | 1 | Fitting-Straight |
| 1:4 | 46-6560 | 1 | Bushing |
| 2 | 62-7650 | 1 | Gasket |
| 3 | 63-7640 | 1 | Sender-Fuel |
| 4 | 3253-15 | 5 | Washer-Lock |
| 5 | 32122-24 | 5 | Screw-PTH |
| 6 | 92-2379 | 1 | Clamp-Hose |
| 7 | 87-3140-03 | 1 | Support-Gas Tank, Rear |
| 8 | 323-4 | 2 | Screw-HH |
| 9 | 3296-42 | 2 | Nut-Lock, NI |
| 10 | 87-3150-03 | 1 | Support-Gas Tank, Front |
| 11 | 3274-54 | 2 | Screw-HSH |
| 12 | 87-3160 | 2 | Strap-Tank, Gas |
| 13 | 87-3170 | 2 | Felt-Strap |
| 14 | 3290-357 | 2 | Nut-HHF, Whiz |
| 15 | 107-7962 | 1 | Hose-Cleaner, Air |
| 16 | 2412-108 | 1 | Clamp-Worm |
| 17 | 2412-92 | 3 | Clamp-Hose |
| 18 | 322-5 | 2 | Screw-HH |
| 19 | 106-2416 | 1 | Aircleaner ASM |
| 20 | 32128-20 | 2 | Nut-HF |

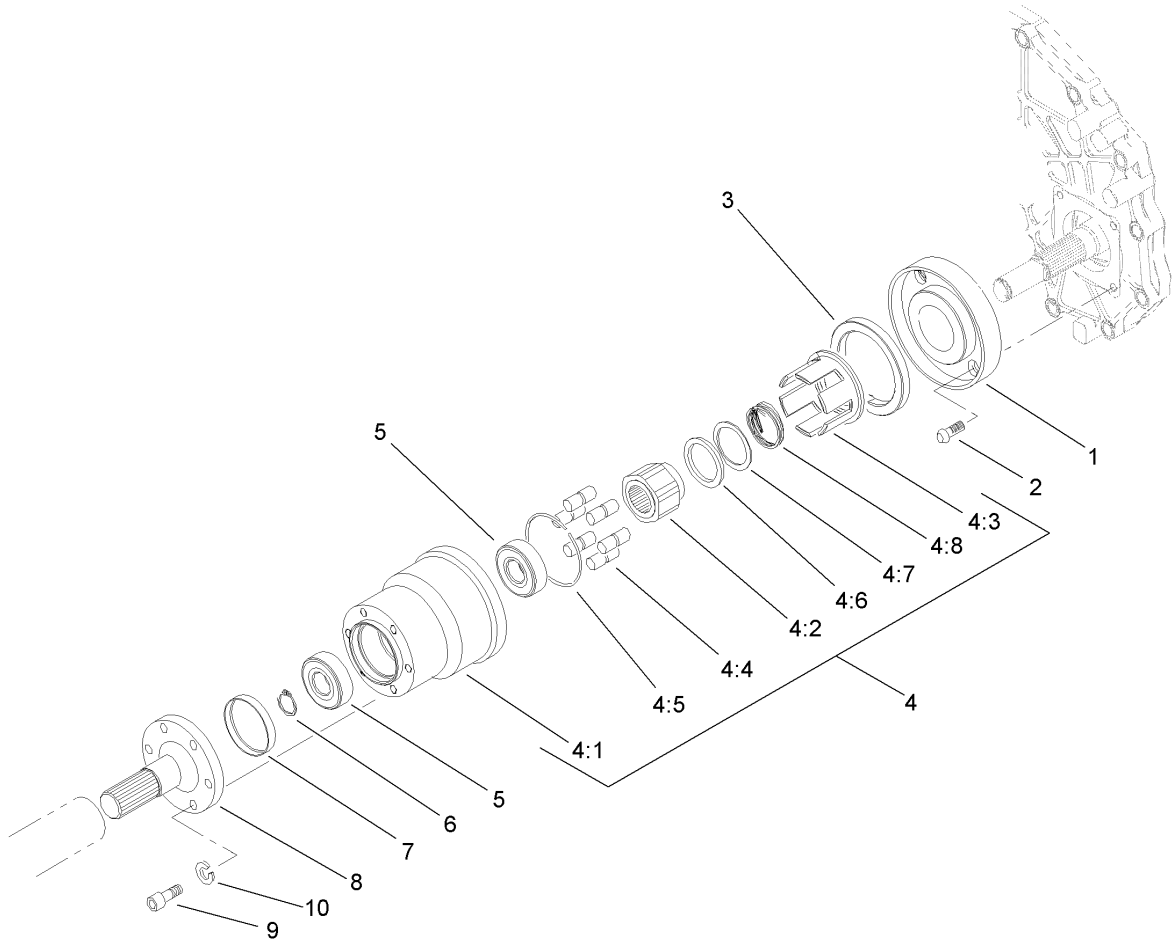
| Ref | Part No. | Qty. | Description |
|------|-------------|------|----------------------------|
| 21 | 93-2191 | 1 | Band-Mounting, Air Cleaner |
| 21:1 | | 1 | Clamp ASM |
| 21:2 | 94-3653 | 1 | Bolt |
| 21:3 | 94-3654 | 1 | Spring |
| 21:4 | 48-9510 | 1 | Nut |
| 22 | 5-3637 | 1 | Spacer |
| 23 | 93-3102 | 1 | Cap-Fuel |
| 24 | 46-7510 | 1 | Hood-Inlet, Air |
| 25 | 106-7948-03 | 1 | Bracket-Mount |
| 27 | 107-7954 | 1 | Clamp-Muffler |
| 27:3 | 32128-43 | 2 | Nut-Flange |
| 28 | 2412-147 | 1 | Clamp |



Air Cleaner Assembly No. 106-2416

| Ref | Part No. | Qty. | Description |
|-----|----------|------|----------------|
| 1 | 108-3811 | 1 | Filter-Air |
| 2 | 104-0498 | 1 | Valve-Vacuator |
| 3 | 285-17 | 1 | Plug-Pipe |
| 4 | 106-6748 | 1 | Gasket |

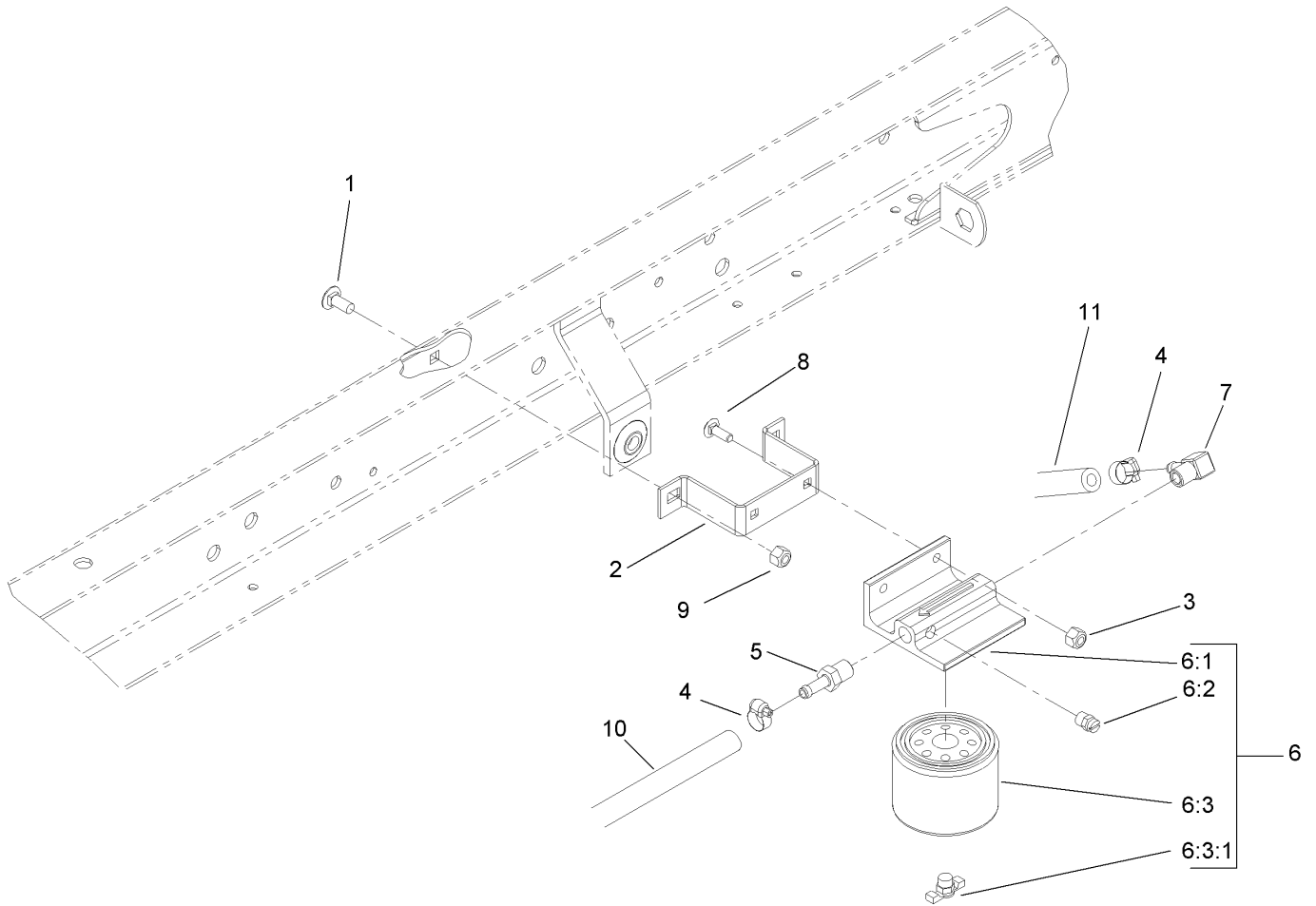
| | | | |
|--|--|--|--|
| | | | |
|--|--|--|--|



Bi-directional Over Running Clutch Assembly

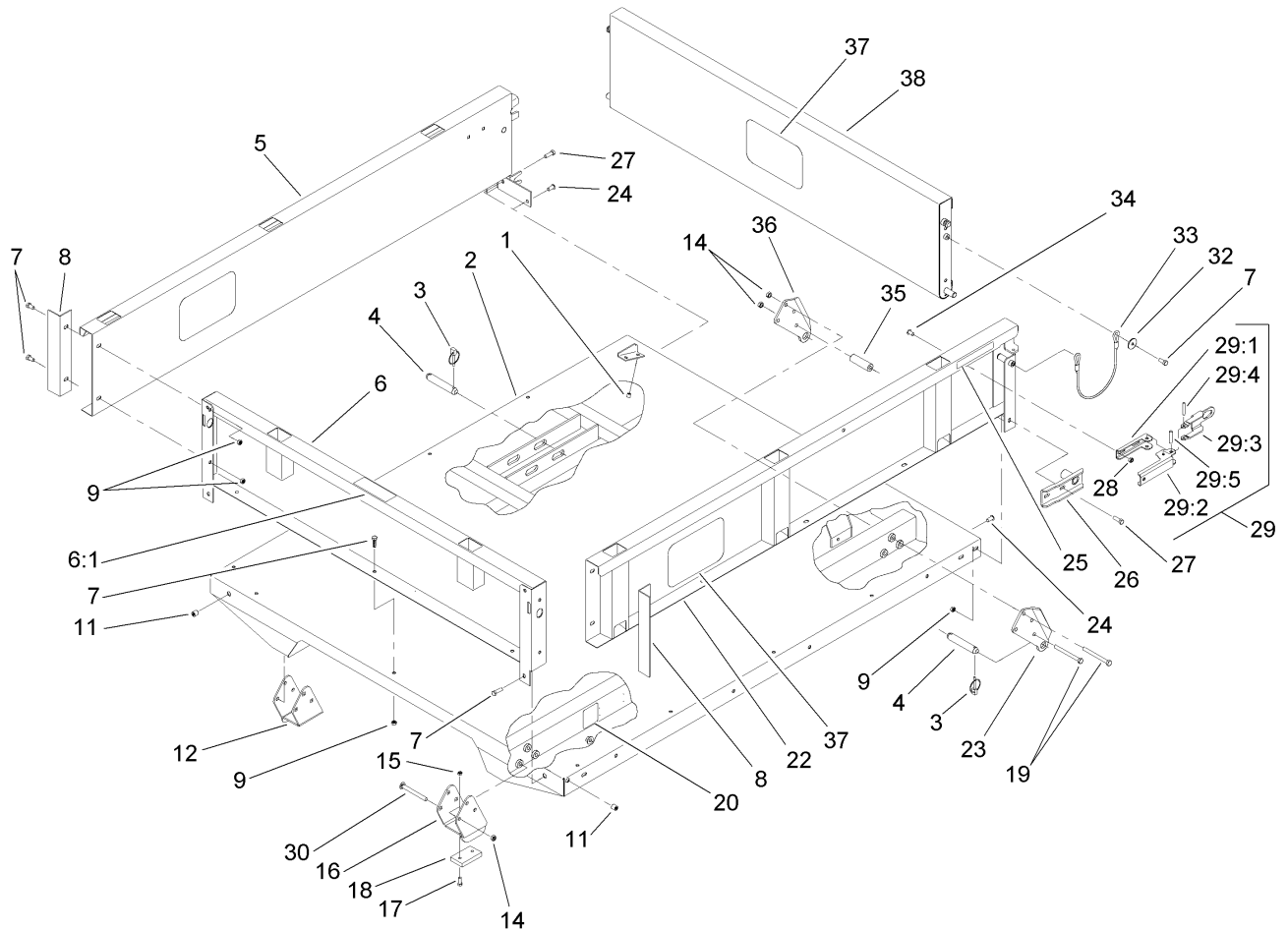
| Ref | Part No. | Qty. | Description |
|-----|------------|------|------------------------|
| 1 | 93-7117 | 1 | Plate-Adapter |
| 2 | 3274-96 | 4 | Screw |
| 3 | 87-9360 | 1 | Seal-Oil |
| 4 | 106-7866 | 1 | Clutch-Bidirectional |
| 4:1 | 105-1759 | 1 | Housing-Clutch |
| 4:2 | 93-8924 | 1 | Cam |
| 4:3 | 106-7867 | 1 | Roll Cage ASM |
| 4:4 | 93-8925 | 6 | Roller |
| 4:5 | 93-8922 | 1 | Spring-Garter |
| 4:6 | 93-8919 | 1 | Bearing-Needle, Thrust |
| 4:7 | 93-8929 | 1 | Washer-Thrust |
| 4:8 | 93-8923 | 1 | Spring-Wave |
| 5 | 251-8 | 2 | Bearing-Ball |
| 6 | 87-9370 | 1 | Ring-Retaining |
| 7 | 87-9220 | 1 | Plug-Clutch |
| 8 | 87-9840-03 | 1 | Shaft-Clutch |
| 9 | 3274-97 | 6 | Screw-HSH |
| 10 | 3253-4 | 6 | Washer-Lock |

| | | | |
|--|--|--|--|
| | | | |
|--|--|--|--|



Diesel Filter Assembly

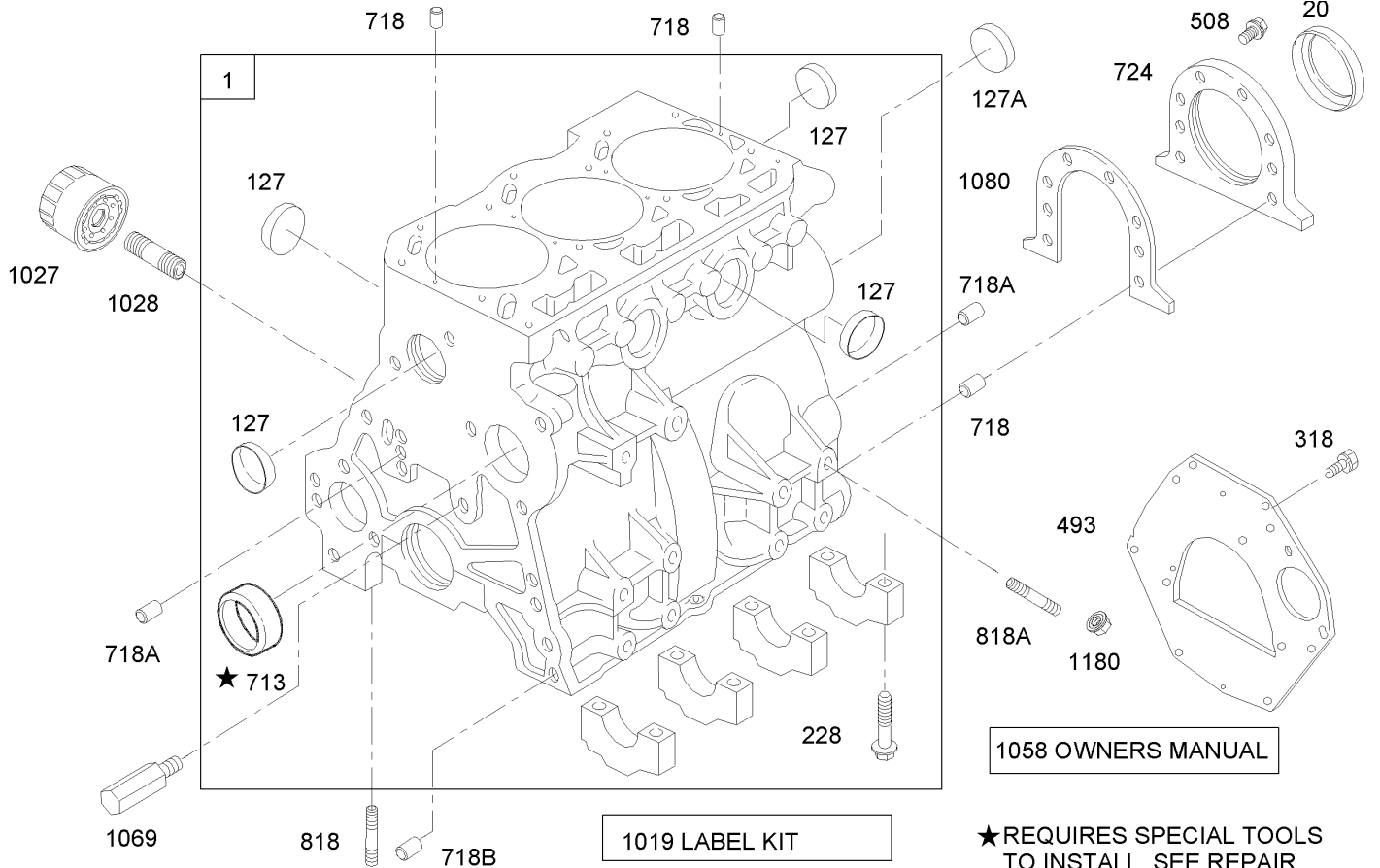
| Ref | Part No. | Qty. | Description |
|-------|----------|------|--------------------------|
| 1 | 3230-23 | 2 | Screw-CARR |
| 2 | 105-4202 | 1 | Bracket-Mount, Filter |
| 3 | 3296-42 | 2 | Nut-Lock, NI |
| 4 | 2412-108 | 2 | Clamp-Worm |
| 5 | 353-783 | 1 | Fitting |
| 6 | 63-7650 | 1 | Separator-Filter / Water |
| 6:1 | 63-8280 | 1 | Head ASM |
| 6:2 | 63-8290 | 1 | Vent-Air |
| 6:3 | 63-8300 | 1 | Element-Spin-On |
| 6:3:1 | 63-8310 | 1 | Valve-Drain |
| 7 | 353-707 | 1 | Fitting-HYD, 90 DEG |
| 8 | 3229-25 | 2 | Screw-CARR |
| 9 | 3296-29 | 2 | Nut-Lock, NI |
| 10 | 110-4104 | 1 | Hose-Fuel |
| 11 | 109-0309 | 1 | Hose-Fuel |



Full Bed and Side Panel Assembly

| Ref | Part No. | Qty. | Description |
|-----|-------------|------|--------------------------|
| 1 | 32148-6 | 4 | Insert-Nut |
| 2 | 93-9724-03 | 1 | Flatbed-Full |
| 3 | 92-1298 | 8 | Pin-Lynch |
| 4 | 92-1233 | 4 | Pin-Clevis |
| 5 | 92-1255-03 | 1 | RH Side Panel ASM |
| 6 | 92-5982 | 1 | Front Panel ASM |
| 6:1 | 93-6689 | 1 | Decal-No Riders |
| 7 | 3234-7 | 21 | Screw-HHF |
| 8 | 92-1320-03 | 2 | Angle-Side |
| 9 | 104-8300 | 23 | Nut-Flange, NI |
| 11 | 32148-7 | 4 | Insert-Nut |
| 12 | 106-2423-03 | 1 | RH Spacer Bracket ASM |
| 14 | 3296-44 | 14 | Nut-Lock, NI |
| 15 | 3296-42 | 4 | Nut-Lock, NI |
| 16 | 106-2422-03 | 1 | LH Spacer Bracket ASM |
| 17 | 3250-45 | 4 | Screw-SPH |
| 18 | 93-9719 | 2 | Block-Wear |
| 19 | 323-42 | 8 | Screw-HH |
| 20 | 93-9899 | 2 | Decal-Warning |
| 22 | 92-1248-03 | 1 | LH Side Panel ASM |
| 23 | 93-9720-03 | 2 | Bracket-Pivot, Long (LH) |
| 24 | 3230-1 | 2 | Bolt-CARR |
| 25 | 93-9868 | 2 | Decal-Caution |
| 26 | 92-1265-03 | 2 | Bracket-Pivot |

| Ref | Part No. | Qty. | Description |
|------|------------|------|--------------------------|
| 27 | 3234-29 | 6 | Screw-HHF |
| 28 | 32128-20 | 4 | Nut-HF |
| 29 | 99-1123 | 2 | Latch ASM |
| 29:1 | 92-1271 | 1 | Pivot-Latch |
| 29:2 | 99-1113 | 1 | Handle-Latch |
| 29:3 | 99-1112 | 1 | Plate-Retainer |
| 29:4 | 32121-78 | 1 | Pin-Roll |
| 29:5 | 32121-25 | 1 | Pin-Roll |
| 30 | 3231-24 | 6 | Screw-CARR |
| 32 | 3256-57 | 4 | Washer-Flat |
| 33 | 93-9595 | 2 | Lanyard |
| 34 | 3230-15 | 4 | Screw-CARR |
| 35 | 93-9575 | 2 | Tube-Pivot, Flatbed |
| 36 | 93-9721-03 | 2 | Bracket-Pivot, Long (RH) |
| 37 | 105-4222 | 3 | Decal |
| 38 | 92-1259-03 | 1 | Tailgate-Rear |

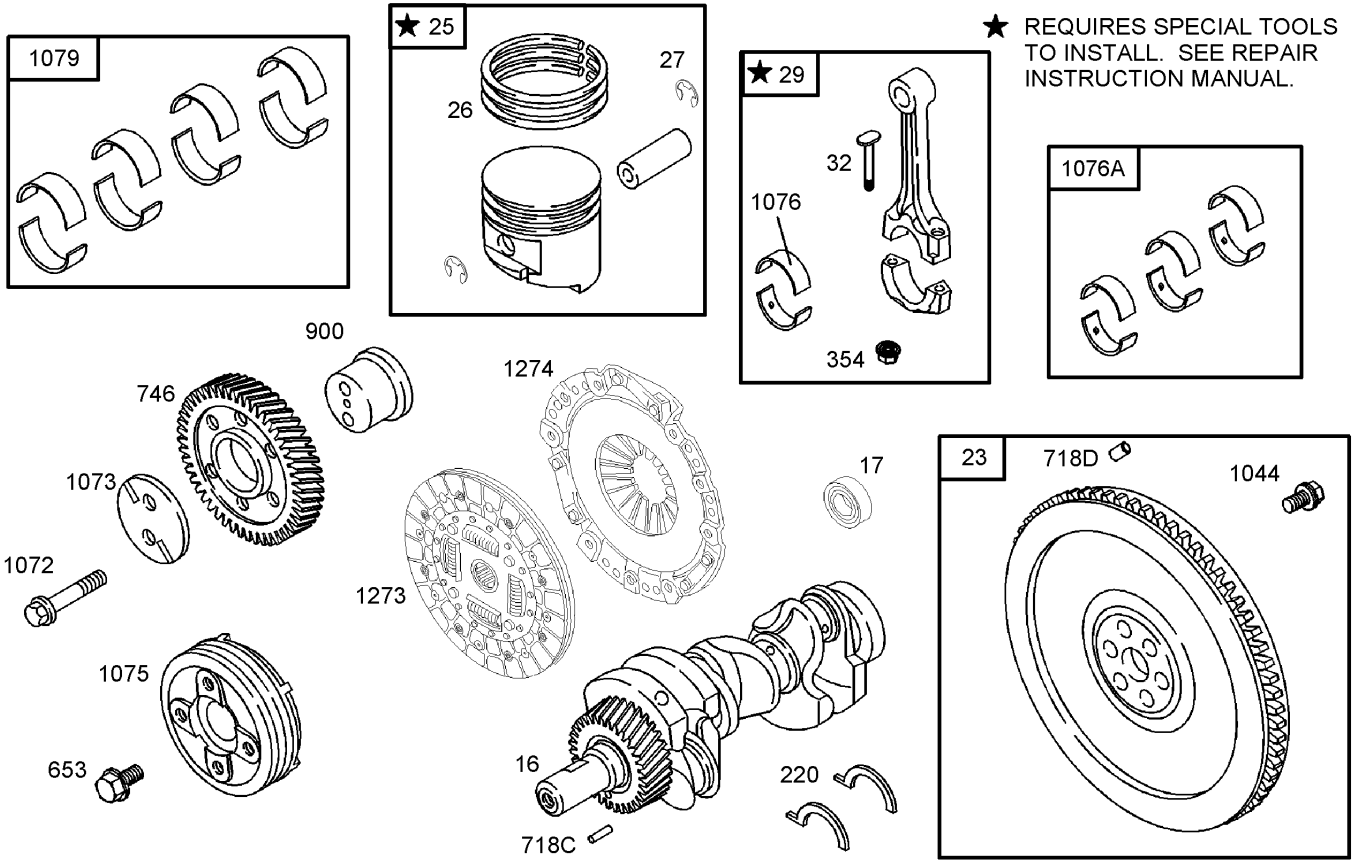


Assemblies include all parts shown in frames

Cylinder Assembly

| Ref | Part No. | Qty. | Description |
|------|----------|------|---------------------|
| 1 | 107-9891 | 1 | Cylinder ASM |
| 20 | 99-9003 | 1 | Seal-Oil |
| 127 | 99-9008 | 1 | Plug-Welch |
| 228 | 99-9006 | 1 | Screw-Hex |
| 318 | 99-9005 | 1 | Screw-Hex |
| 493 | 104-9232 | 1 | Plate-End, Rear |
| 508 | 99-9004 | 1 | Screw-Hex |
| 713 | 99-9002 | 1 | Bushing |
| 718 | 99-9012 | 1 | Pin-Locating |
| 724 | 99-9022 | 1 | Retainer-Seal |
| 818 | 99-9007 | 1 | Stud-Metric |
| 1019 | 110-2595 | 1 | Label Kit |
| 1027 | 108-3842 | 1 | Filter-Oil |
| 1028 | 105-9337 | 1 | Adapter-Filter, Oil |
| 1058 | 99-9602 | 1 | Manual-Owner's |
| 1069 | 99-9020 | 1 | Nozzle-Oil |
| 1080 | 99-9021 | 1 | Gasket-Retainer |
| 1180 | 99-9176 | 1 | Nut-Hex |
| 127A | 107-9892 | 1 | Plug-Welch (Cam) |
| 718A | 99-9013 | 1 | Pin-Locating |
| 718B | 99-9014 | 1 | Pin-Locating |
| 818A | 99-9221 | 1 | Stud-Standard |

| | | | |
|--|--|--|--|
| | | | |
| | | | |
| | | | |
| | | | |

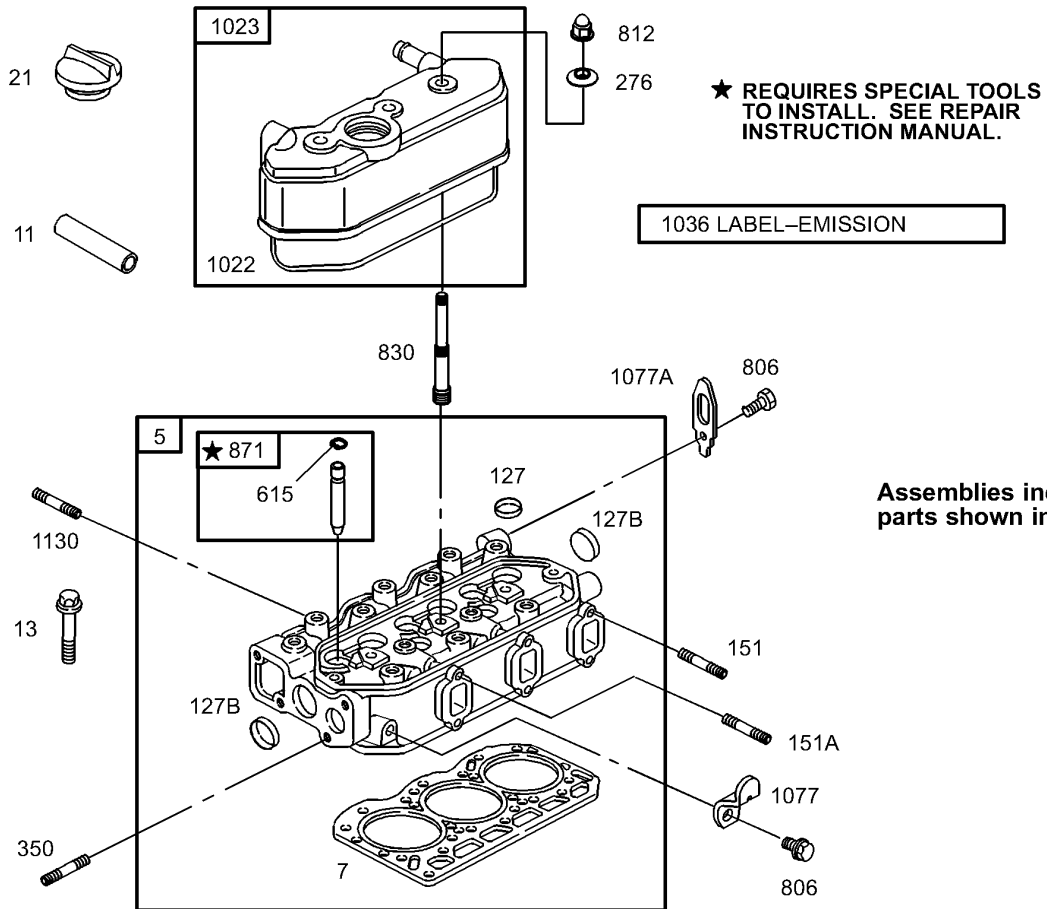


Assemblies include all parts shown in frame in frames.

Crankshaft Assembly

| Ref | Part No. | Qty. | Description |
|------|----------|------|-----------------------------------|
| 16 | 105-9339 | 1 | Crankshaft |
| 17 | 105-9324 | 1 | Bearing-Ball, Radial |
| 23 | 105-9323 | 1 | Flywheel ASM |
| 25 | 107-9895 | 1 | Piston ASM |
| 25 | 107-9896 | 1 | Piston ASM (Oversize) |
| 26 | 105-9340 | 1 | Ring Set |
| 26 | 99-9269 | 1 | Ring Set (.010 In Oversized) |
| 27 | 99-9607 | 1 | Lock-Pin, Piston |
| 29 | 99-9608 | 1 | Rod-Connecting |
| 32 | 99-9030 | 1 | Screw-Rod, Connecting |
| 220 | 99-9035 | 1 | Washer-Thrust |
| 220 | 99-9036 | 1 | Washer-Thrust (.005 In Oversized) |
| 354 | 99-9034 | 1 | Nut-Hex |
| 653 | 107-9897 | 1 | Screw-Hex |
| 746 | 99-9609 | 1 | Gear-Drive |
| 900 | 99-9039 | 1 | Shaft-Gear |
| 1044 | 99-9031 | 1 | Screw-Hex |
| 1072 | 99-9032 | 1 | Screw-Hex |
| 1073 | 99-9040 | 1 | Plate-Gear, Idler |
| 1075 | 99-9041 | 1 | Pulley-Crankshaft |
| 1076 | 99-9042 | 1 | Bearing-Rod |
| 1079 | 99-9045 | 1 | Set-Bearing, Main (Set Of 8) |

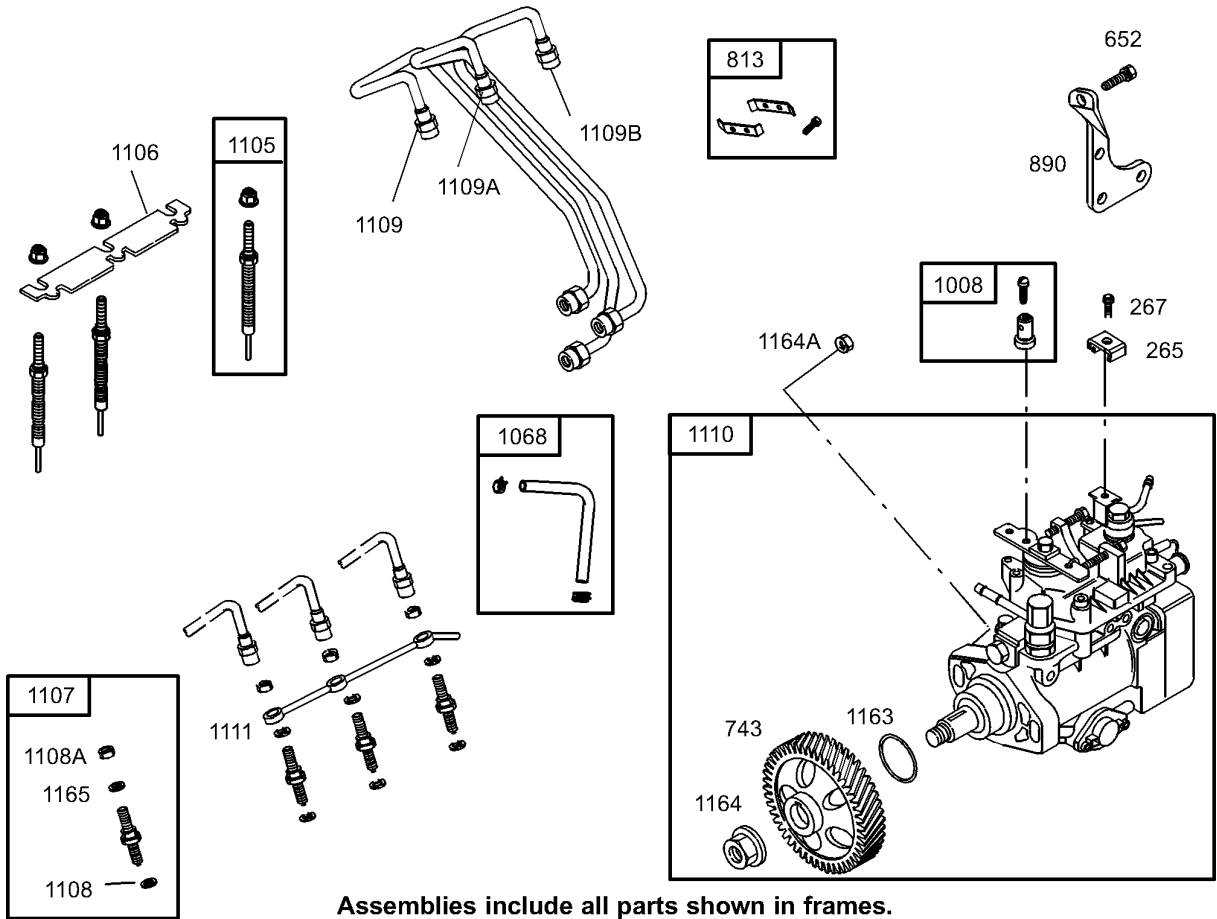
| Ref | Part No. | Qty. | Description |
|-------|----------|------|-------------------------------------|
| 1079 | 99-9046 | 1 | Set-Bearing, Main (.010 Undersized) |
| 1273 | 104-9219 | 1 | Disc-Clutch |
| 1274 | 104-9231 | 1 | Plate-Pressure, Clutch |
| 718C | 99-9037 | 1 | Pin-Locating |
| 718D | 106-1852 | 1 | Pin-Locating |
| 1076A | 99-9043 | 1 | Set-Bearing, Rod |
| 1076A | 99-9044 | 1 | Set-Bearing, Rod (.010 Undersized) |



Cylinder Head Assembly

| Ref | Part No. | Qty. | Description |
|-------|----------|------|-----------------------|
| 5 | 110-2596 | 1 | Head-Cylinder |
| 7 | 107-9898 | 1 | Gasket-Head, Cylinder |
| 11 | 105-9342 | 1 | Tube-Breather |
| 13 | 99-9614 | 1 | Screw-Metric |
| 21 | 99-9052 | 1 | Cap-Fill, Oil |
| 127 | 99-9060 | 1 | Plug-Welch |
| 151 | 99-9058 | 1 | Stud-Metric |
| 276 | 99-9063 | 1 | Washer-Seal |
| 350 | 99-9057 | 1 | Stud-Metric |
| 615 | 99-9067 | 1 | Retainer |
| 806 | 99-9054 | 1 | Screw-Hex |
| 812 | 99-9061 | 1 | Nut-Hex, Metric |
| 830 | 99-9101 | 1 | Stud-Arm, Rocker |
| 871 | 99-9070 | 1 | Bushing-Guide |
| 1022 | 99-9073 | 1 | Gasket-Cover, Rocker |
| 1023 | 100-6402 | 1 | Cover-Rocker |
| 1036 | 99-9615 | 1 | Emission Label Kit |
| 1077 | 99-9076 | 1 | Bracket-Lifting |
| 1130 | 99-9055 | 1 | Stud-Metric |
| 127B | 99-9008 | 1 | Plug-Welch |
| 151A | 99-9059 | 1 | Stud-Metric |
| 1077A | 99-9077 | 1 | Bracket-Lifting |

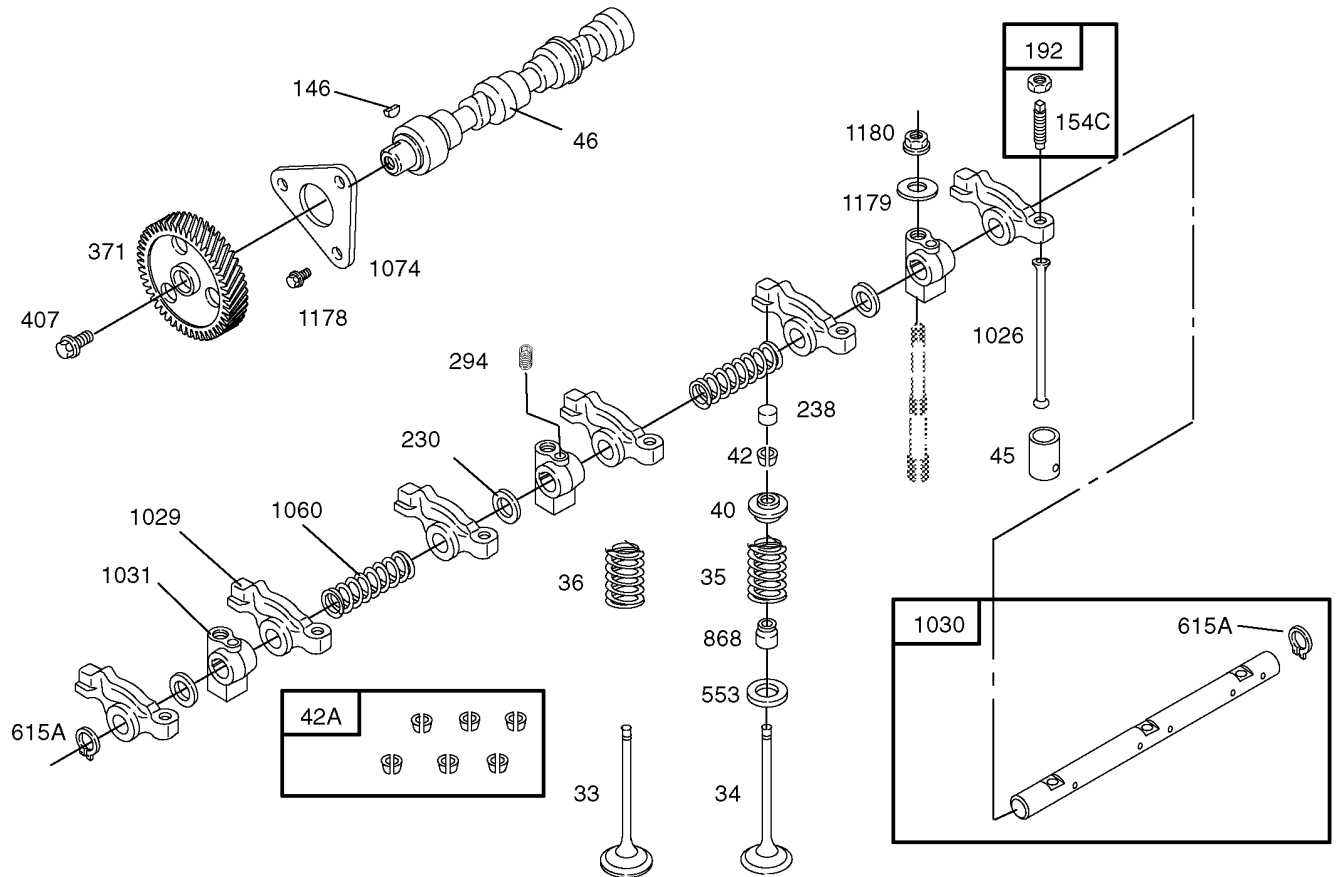
| | | | |
|--|--|--|--|
| | | | |
| | | | |
| | | | |
| | | | |



Injection Pump Assembly

| Ref | Part No. | Qty. | Description |
|-------|----------|------|----------------------|
| 265 | 99-9688 | 1 | Clamp-Casing |
| 267 | 100-6403 | 1 | Screw-Metric |
| 652 | 99-9616 | 1 | Screw-Hex |
| 743 | 99-9624 | 1 | Gear-Drive |
| 813 | 99-9625 | 1 | Clamp |
| 890 | 99-9626 | 1 | Bracket-Support |
| 1008 | 99-9628 | 1 | Clamp-Swivel |
| 1068 | 99-9629 | 1 | Hose / Clamp ASM |
| 1105 | 99-9630 | 1 | Plug-Glow |
| 1106 | 99-9631 | 1 | Strap-Plug, Glow |
| 1107 | 99-9632 | 1 | Nozzle-Injector |
| 1108 | 99-9633 | 1 | Seat-Injector |
| 1109 | 99-9690 | 1 | Pipe-Injector, No. 1 |
| 1110 | 105-9334 | 1 | Pump-Injection |
| 1111 | 99-9637 | 1 | Pipe-Return, Fuel |
| 1163 | 99-9618 | 1 | O-Ring |
| 1164 | 99-9619 | 1 | Nut-Hex, Metric |
| 1165 | 105-9345 | 1 | Nut |
| 1108A | 105-9343 | 1 | Seat-Injector |
| 1109A | 99-9634 | 1 | Pipe-Injector, No. 2 |
| 1109B | 99-9635 | 1 | Pipe-Injector, No. 3 |
| 1164A | 99-9620 | 1 | Nut-Hex, Metric |

| | | | |
|--|--|--|--|
| | | | |
| | | | |
| | | | |
| | | | |

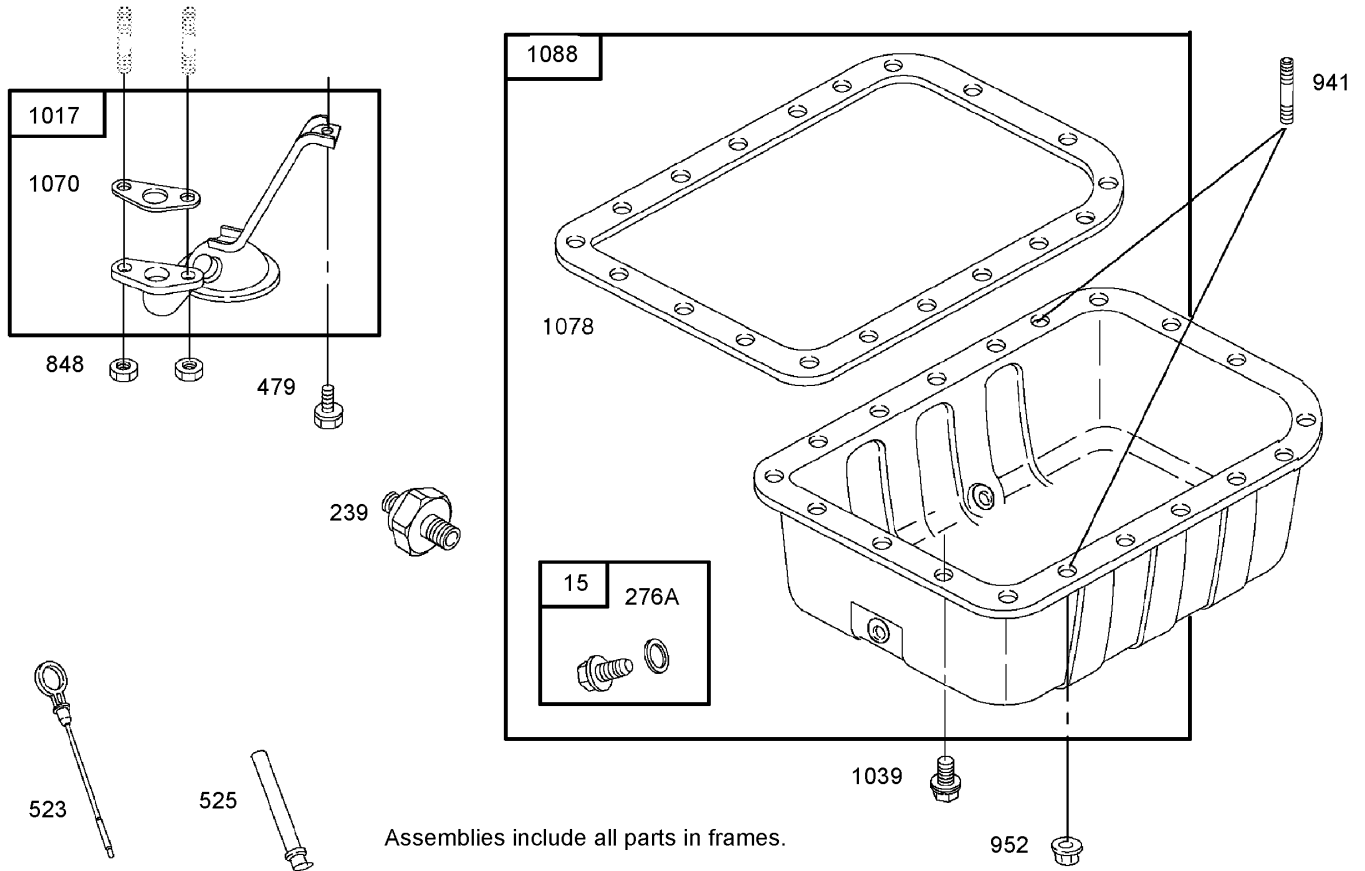


Assemblies include all parts shown in frames.

Camshaft Assembly

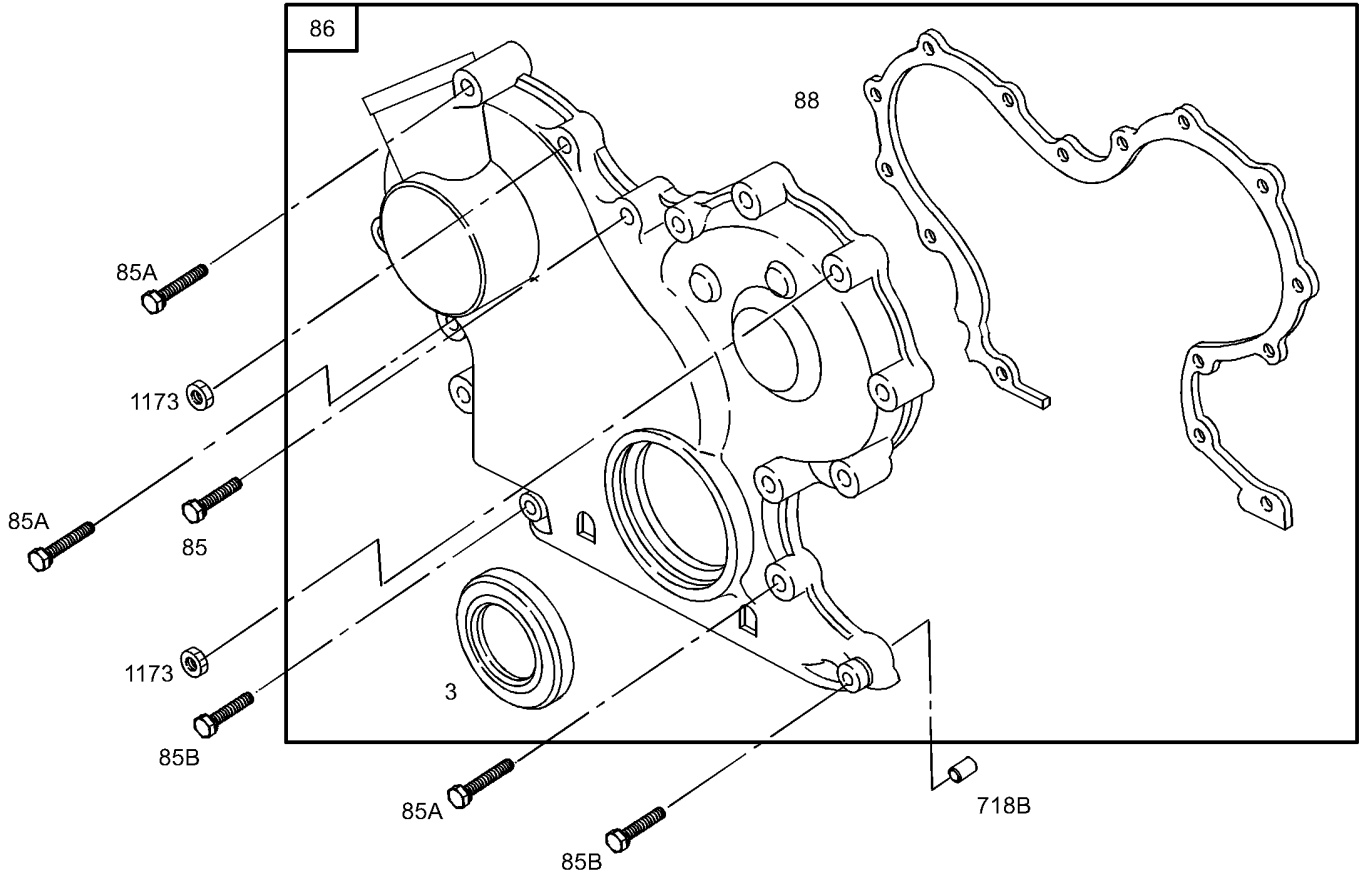
| Ref | Part No. | Qty. | Description |
|------|----------|------|-------------------------|
| 33 | 99-9638 | 1 | Valve-Exhaust |
| 34 | 99-9639 | 1 | Valve-Intake |
| 35 | 99-9640 | 1 | Spring-Valve |
| 36 | 99-9640 | 1 | Spring-Valve |
| 40 | 99-9084 | 1 | Retainer-Valve |
| 42 | 99-9086 | 1 | Keeper-Valve |
| 45 | 99-9088 | 1 | Tappet-Valve |
| 46 | 99-9097 | 1 | Shaft-Cam |
| 146 | 99-9675 | 1 | Key-Timing |
| 192 | 112-2978 | 1 | Adjuster-Rocker Arm |
| 230 | 99-9093 | 1 | Washer-Spacer |
| 238 | 112-2979 | 1 | Cap-Valve |
| 294 | 99-9090 | 1 | Screw-Metric |
| 371 | 99-9641 | 1 | Gear-Cam |
| 407 | 99-9085 | 1 | Screw-Metric |
| 42A | 99-9087 | 1 | Keeper-Valve (Set Of 6) |
| 553 | 99-9096 | 1 | Seat-Spring, Valve |
| 868 | 99-9643 | 1 | Seal-Valve |
| 1026 | 112-2980 | 1 | Rod-Push |
| 1029 | 99-9104 | 1 | Arm-Rocker |
| 1030 | 99-9106 | 1 | Shaft-Arm, Rocker |
| 1031 | 99-9107 | 1 | Support-Arm, Rocker |
| 1060 | 99-9108 | 1 | Spring-Shaft, Rocker |
| 1074 | 99-9109 | 1 | Retainer-Camshaft |

| Ref | Part No. | Qty. | Description |
|------|----------|------|-----------------|
| 1178 | 99-9083 | 1 | Screw-Hex |
| 1179 | 99-9079 | 1 | Washer-Flat |
| 1180 | 99-9091 | 1 | Nut-Hex, Metric |
| 154C | 99-9091 | 1 | Nut-Hex, Metric |
| 615A | 99-9099 | 1 | Retainer |



Oil Pan Assembly

| Ref | Part No. | Qty. | Description |
|------|----------|------|----------------------|
| 15 | 99-9247 | 1 | Plug-Drain, Oil |
| 239 | 107-9908 | 1 | Switch-Pressure, Oil |
| 479 | 99-9111 | 1 | Screw-Hex |
| 523 | 110-2597 | 1 | Dipstick |
| 525 | 99-9118 | 1 | Tube-Dipstick |
| 848 | 99-9114 | 1 | Nut-Hex, Metric |
| 941 | 99-9112 | 1 | Stud-Metric |
| 952 | 99-9113 | 1 | Nut-Hex, Metric |
| 1017 | 99-9116 | 1 | Screen-Pump, Oil |
| 1039 | 99-9623 | 1 | Screw-Hex |
| 1070 | 99-9120 | 1 | Gasket-Strainer, Oil |
| 1078 | 99-9121 | 1 | Gasket-Pan, Oil |
| 1088 | 99-9241 | 1 | Pan-Oil |
| 276A | 99-9249 | 1 | Washer-Seal |

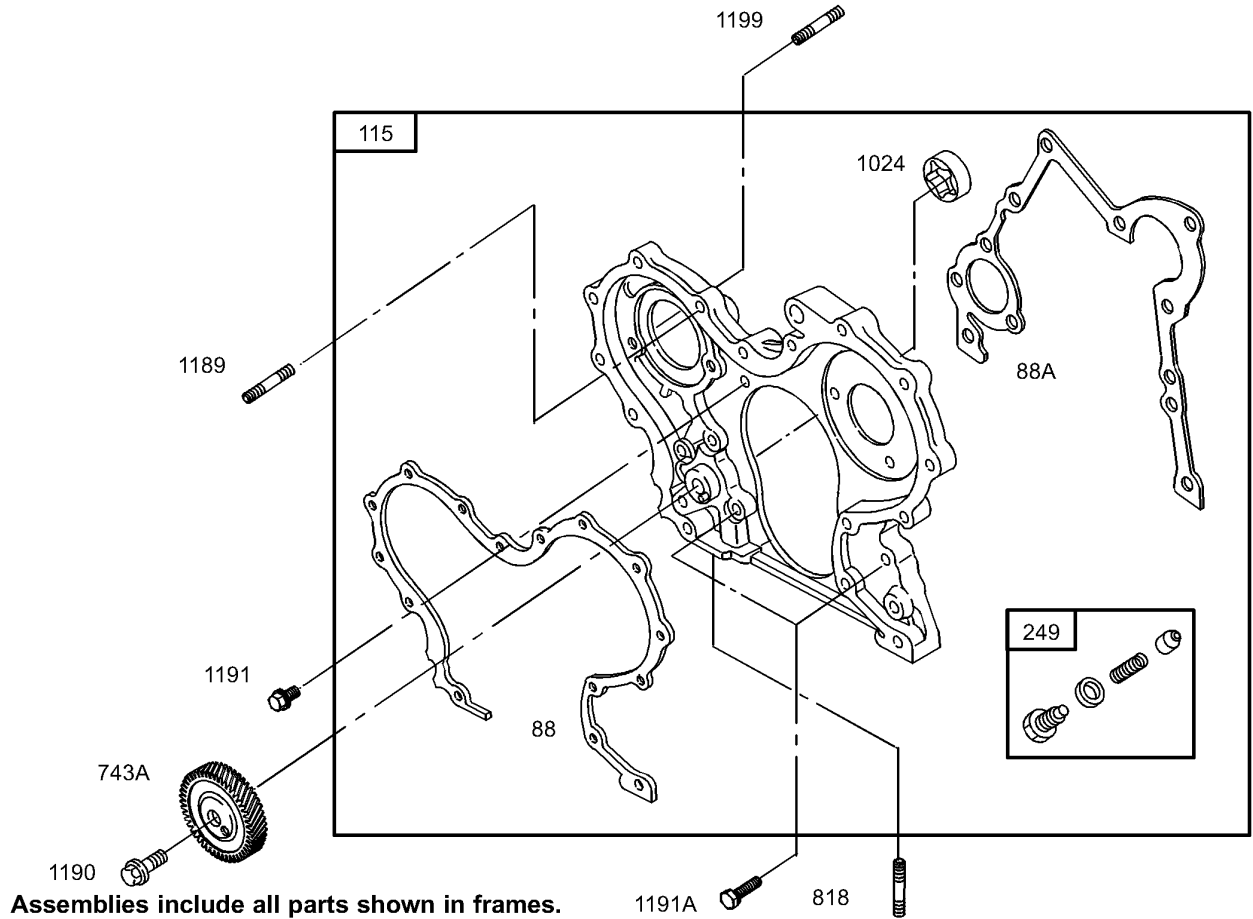


Assemblies include all parts shown in frames.

Gear Cover Assembly

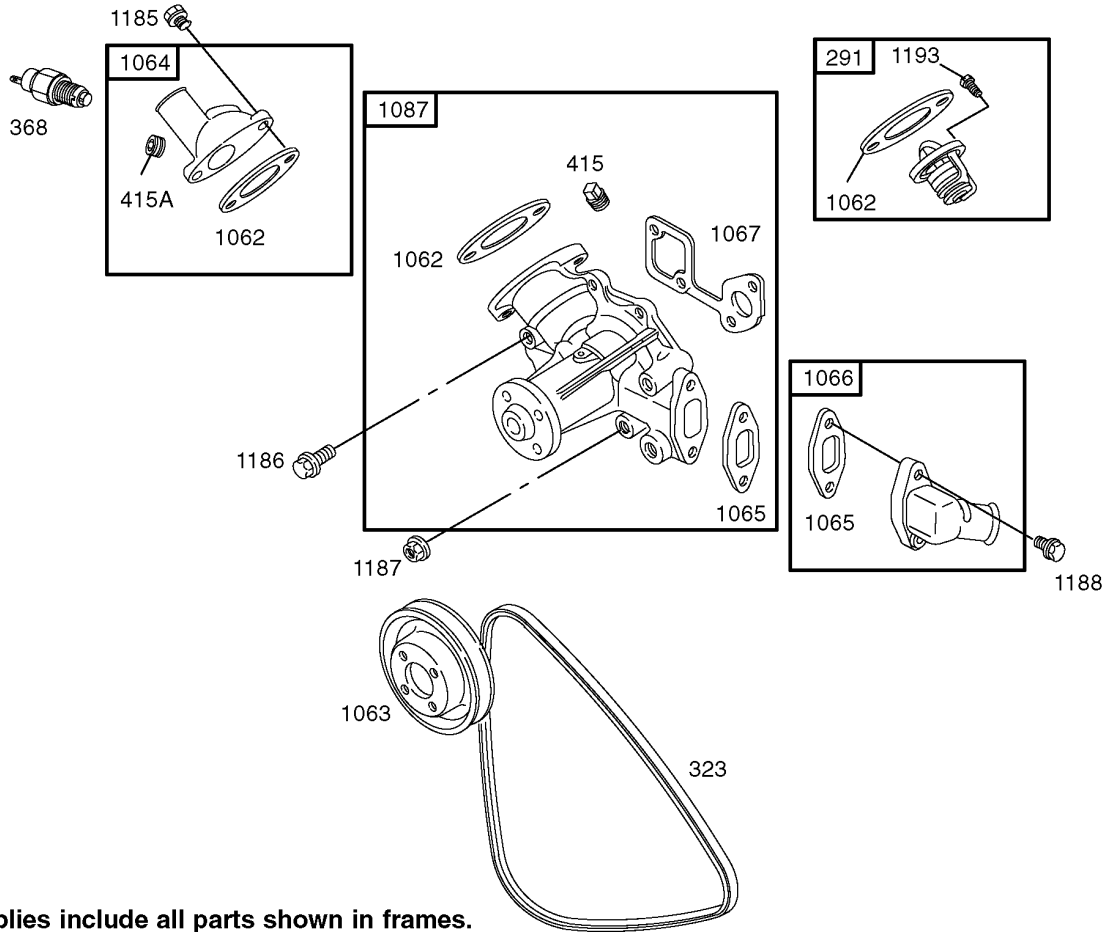
| Ref | Part No. | Qty. | Description |
|------|----------|------|--------------------|
| 3 | 107-9900 | 1 | Seal-Oil |
| 85 | 99-9651 | 1 | Screw-Hex |
| 86 | 99-9652 | 1 | Gear Cover ASM |
| 88 | 99-9653 | 1 | Gasket-Cover, Gear |
| 85A | 99-9128 | 1 | Screw-Hex |
| 85B | 99-9129 | 1 | Screw-Hex |
| 1173 | 99-9114 | 1 | Nut-Hex, Metric |
| 718B | 99-9014 | 1 | Pin-Locating |

| | | | |
|--|--|--|--|
| | | | |
| | | | |
| | | | |
| | | | |
| | | | |
| | | | |
| | | | |
| | | | |
| | | | |
| | | | |



Gear Housing Assembly

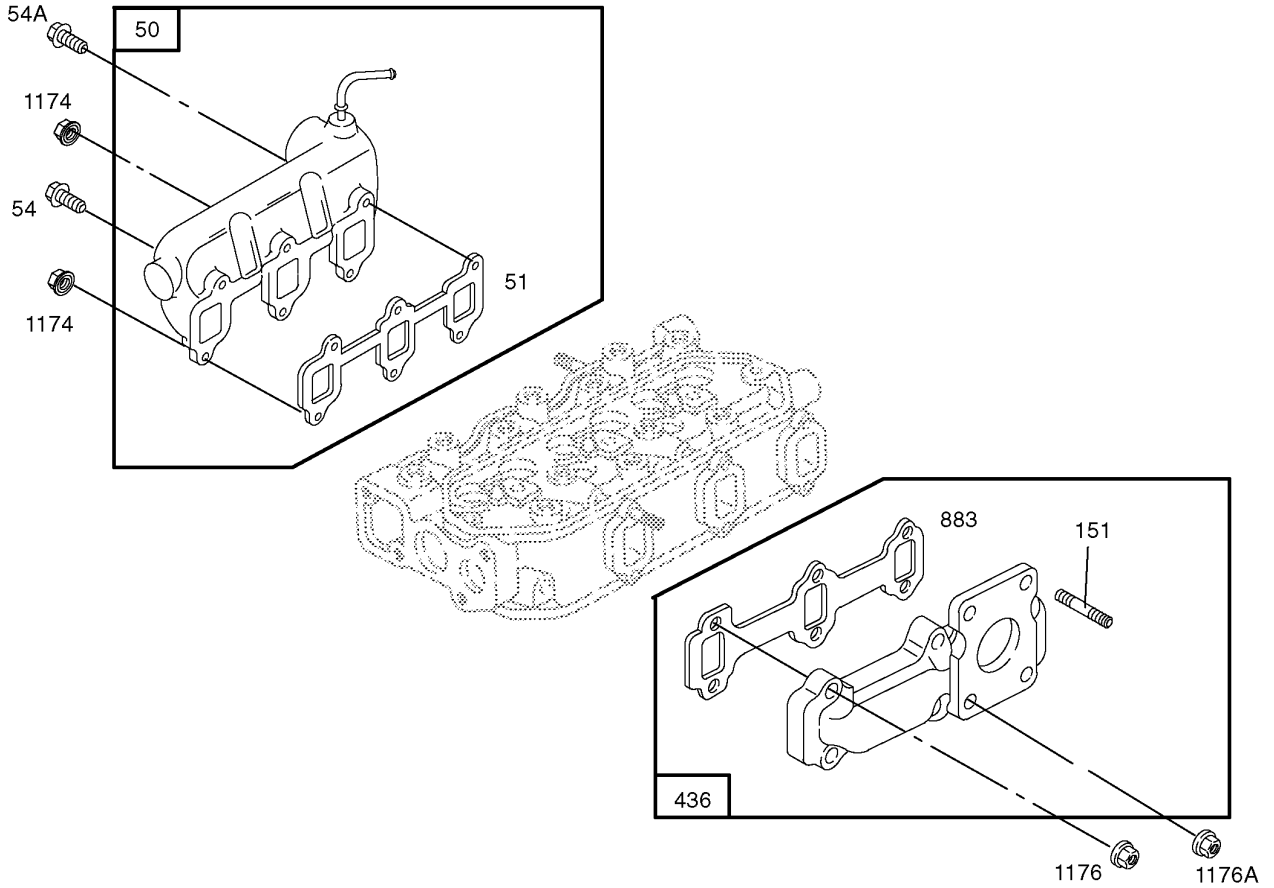
| Ref | Part No. | Qty. | Description | |
|-------|----------|------|--------------------|--|
| 88 | 99-9653 | 1 | Gasket-Cover, Gear | |
| 115 | 99-9655 | 1 | Housing-Gear | |
| 249 | 99-9142 | 1 | Valve-Relief, Oil | |
| 818 | 99-9007 | 1 | Stud-Metric | |
| 88A | 99-9136 | 1 | Gasket-Cover, Gear | |
| 1024 | | 1 | Pump-Oil | |
| 1189 | 99-9137 | 1 | Stud-Metric | |
| 1190 | 99-9616 | 1 | Screw-Hex | |
| 1191 | 99-9134 | 1 | Screw-Hex | |
| 1199 | 99-9654 | 1 | Stud-Metric | |
| 743A | 99-9656 | 1 | Gear-Drive | |
| 1191A | 99-9133 | 1 | Screw-Hex | |



Assemblies include all parts shown in frames.

Water Pump Assembly

| Ref | Part No. | Qty. | Description |
|------|----------|------|---------------------------|
| 291 | 99-9155 | 1 | Thermostat |
| 323 | 99-9156 | 1 | Belt-V |
| 368 | 99-9157 | 1 | Switch-Temperature, Water |
| 415 | 99-9159 | 1 | Plug |
| 1062 | 99-9163 | 1 | Gasket-Outlet |
| 1063 | 99-9164 | 1 | Pulley-Pump |
| 1064 | 99-9165 | 1 | Housing-Outlet |
| 1065 | 99-9166 | 1 | Gasket-Housing, Inlet |
| 1066 | 99-9167 | 1 | Housing-Inlet |
| 1067 | 99-9168 | 1 | Gasket-Pump, Water |
| 1087 | 105-9348 | 1 | Pump-Water |
| 1185 | 99-9004 | 1 | Screw-Hex |
| 1186 | 99-9151 | 1 | Screw-Hex |
| 1187 | 99-9153 | 1 | Nut-Hex, Metric |
| 1188 | 99-9004 | 1 | Screw-Hex |
| 1193 | 99-9152 | 1 | Screw-Metric |
| 415A | 99-9158 | 1 | Plug |

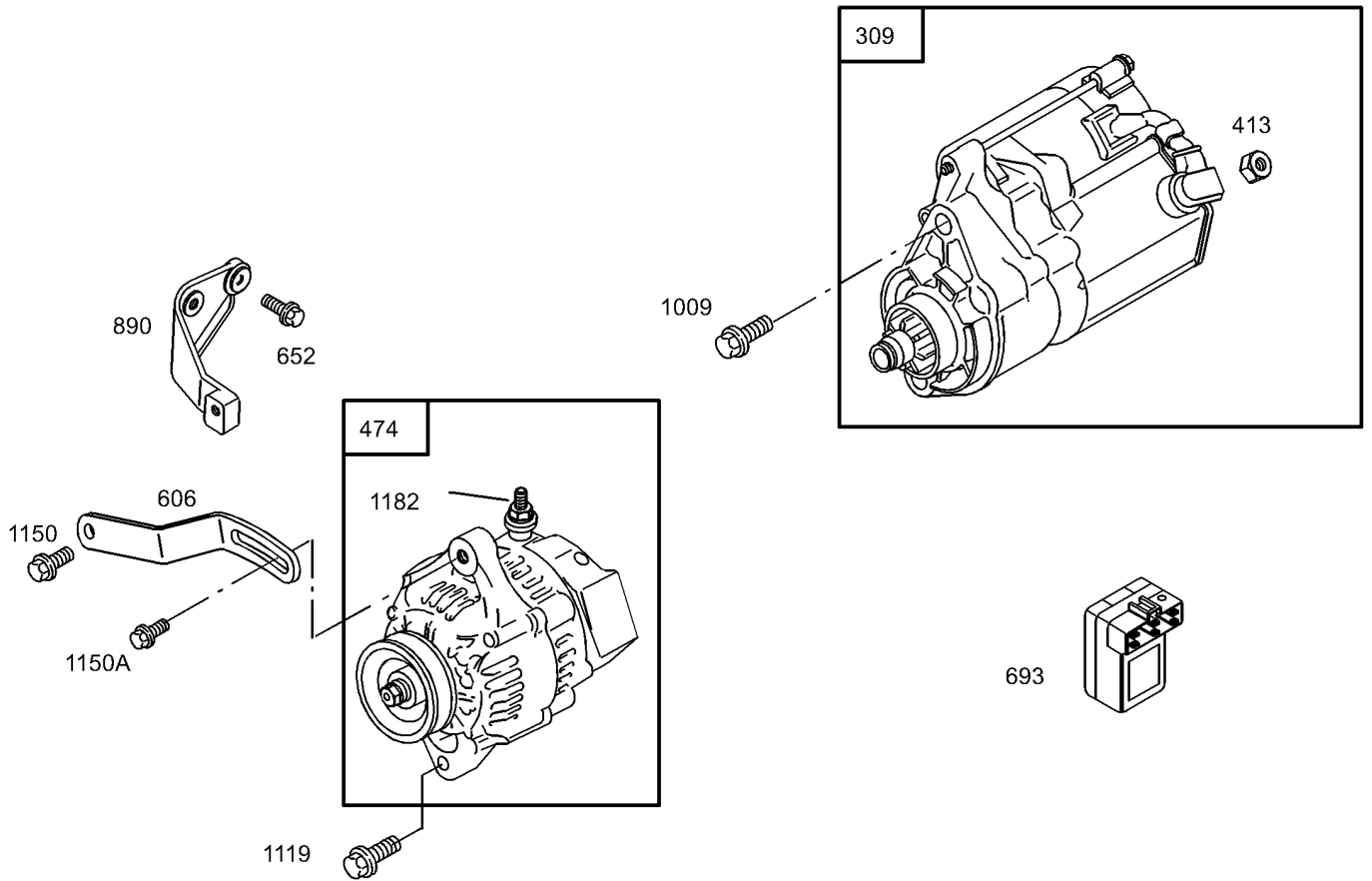


Assemblies include all parts shown in frames.

Manifold Assembly

| Ref | Part No. | Qty. | Description |
|-------|----------|------|------------------------|
| 50 | 99-9661 | 1 | Manifold-Intake |
| 51 | 99-9662 | 1 | Gasket-Intake |
| 54 | 99-9083 | 1 | Screw-Hex |
| 151 | 99-9174 | 1 | Stud-Manifold, Exhaust |
| 436 | 99-9177 | 1 | Manifold-Exhaust |
| 54A | 99-9660 | 1 | Screw-Hex |
| 883 | 106-1855 | 1 | Gasket-Exhaust |
| 1174 | 99-9114 | 1 | Nut-Hex, Metric |
| 1176 | 99-9175 | 1 | Nut-Hex, Metric |
| 1176A | 99-9176 | 1 | Nut-Hex |

| | | | |
|--|--|--|--|
| | | | |
|--|--|--|--|

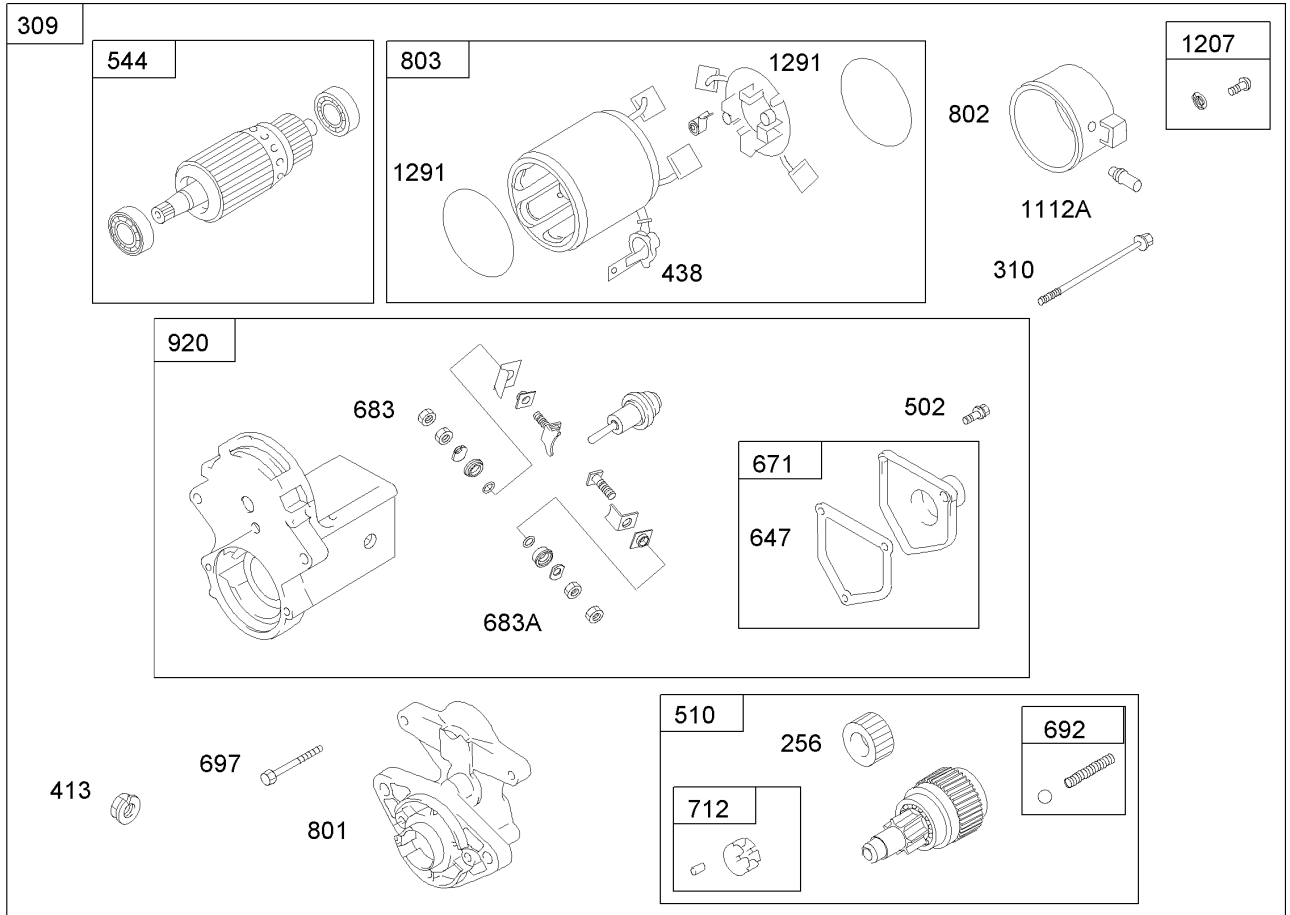


Assemblies include all parts shown in frames.

Starter Motor and Alternator Assembly

| Ref | Part No. | Qty. | Description |
|-------|----------|------|-------------------|
| 309 | 110-2598 | 1 | Motor-Starter |
| 413 | 99-9206 | 1 | Nut-Hex, Metric |
| 474 | 99-9209 | 1 | Alternator |
| 606 | 106-1952 | 1 | Strap-Adjusting |
| 652 | 99-9203 | 1 | Screw-Hex |
| 693 | 99-9666 | 1 | Module |
| 890 | 99-9211 | 1 | Bracket-Support |
| 1009 | 99-9201 | 1 | Screw-Hex |
| 1119 | 99-9205 | 1 | Screw-Hex, Metric |
| 1150 | 99-9202 | 1 | Screw-Hex |
| 1182 | 99-9114 | 1 | Nut-Hex, Metric |
| 1150A | 107-9903 | 1 | Screw-Hex, Metric |

| | | | |
|--|--|--|--|
| | | | |
|--|--|--|--|

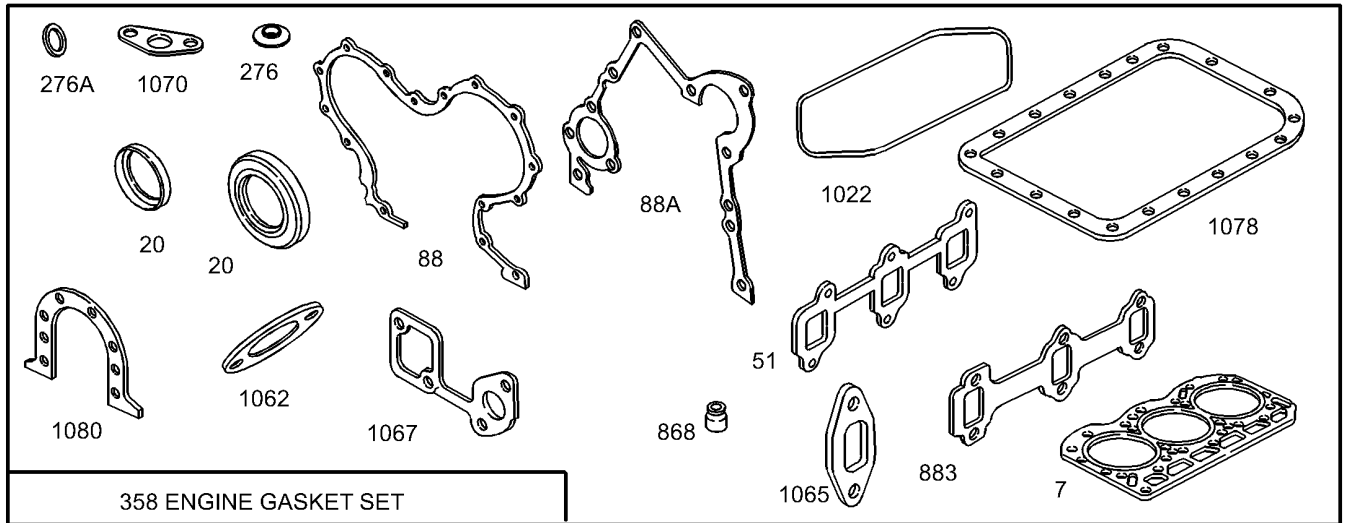


Assemblies include all parts in frames

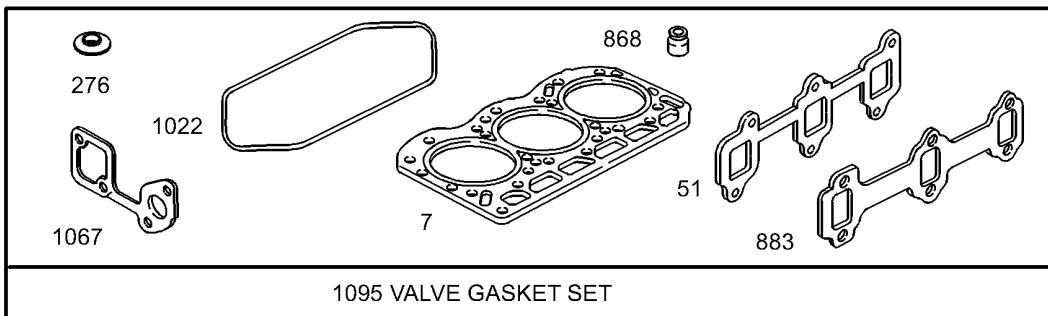
Starter Motor Assembly No. 110-2598

| Ref | Part No. | Qty. | Description |
|-------|----------|------|------------------------|
| 256 | 112-2987 | 1 | Gear-Drive, Starter |
| 309 | | 1 | Starter Motor Assembly |
| 310 | 112-2988 | 1 | Screw |
| 413 | 99-9206 | 1 | Nut-Hex, Metric |
| 438 | 112-2989 | 1 | Boot-Terminal |
| 502 | 112-2990 | 1 | Screw |
| 510 | 112-2991 | 1 | Drive-Starter |
| 544 | 112-2992 | 1 | Armature-Starter |
| 647 | 112-2993 | 1 | Gasket-Solenoid |
| 671 | 112-2994 | 1 | Cover-Solenoid |
| 683 | 99-9206 | 1 | Nut-Hex, Metric |
| 692 | 112-2996 | 1 | Detent-Spring |
| 697 | 112-2997 | 1 | Screw |
| 712 | 112-2998 | 1 | Roller-Clutch |
| 801 | 112-2999 | 1 | Cap-Drive |
| 802 | 112-3000 | 1 | Cap-End |
| 803 | 112-3001 | 1 | Housing-Starter |
| 920 | 112-3002 | 1 | Solenoid-Starter |
| 1009 | 99-9201 | 1 | Screw-Hex |
| 1207 | 112-3004 | 1 | Screw |
| 1291 | 112-3005 | 1 | Seal-O Ring |
| 683A | 112-2995 | 1 | Nut |
| 1112A | 112-3003 | 1 | Plug-Vent |

| | | | |
|--|--|--|--|
| | | | |
| | | | |
| | | | |
| | | | |
| | | | |



358 ENGINE GASKET SET



1095 VALVE GASKET SET

Assemblies include all parts shown in frames.

Gasket Assembly

| Ref | Part No. | Qty. | Description |
|------|----------|------|-----------------------|
| 7 | 107-9898 | 1 | Gasket-Head, Cylinder |
| 20 | 99-9003 | 1 | Seal-Oil |
| 20 | 107-9900 | 1 | Seal-Oil |
| 51 | 99-9662 | 1 | Gasket-Intake |
| 88 | 99-9653 | 1 | Gasket-Cover, Gear |
| 276 | 99-9063 | 1 | Washer-Seal |
| 358 | 107-9906 | 1 | Gasket Set |
| 868 | 99-9643 | 1 | Seal-Valve |
| 883 | 106-1855 | 1 | Gasket-Exhaust |
| 88A | 99-9136 | 1 | Gasket-Cover, Gear |
| 1022 | 99-9073 | 1 | Gasket-Cover, Rocker |
| 1062 | 99-9163 | 1 | Gasket-Outlet |
| 1065 | 99-9166 | 1 | Gasket-Housing, Inlet |
| 1067 | 99-9021 | 1 | Gasket-Retainer |
| 1070 | 99-9120 | 1 | Gasket-Strainer, Oil |
| 1078 | 99-9121 | 1 | Gasket-Pan, Oil |
| 1080 | 99-9021 | 1 | Gasket-Retainer |
| 1095 | 107-9907 | 1 | Valve Overhaul Kit |
| 276A | 99-9645 | 1 | Washer-Seal |

| | | | |
|--|--|--|--|
| | | | |
| | | | |
| | | | |
| | | | |

Attachments and Accessories

For 07364 - Workman 4300-D with Bed

| Product Name | Model/Part |
|---|------------|
| High-Flow Hydraulic Kit | 07228 |
| Full Area Flatbed, Heavy-Duty Workman Utility Vehicle | 07301 |
| Full Area Flatbed Side Kit | 07302 |
| Fold Down Side Kit | 07303 |
| Cab Kit with Doors | 07319 |
| 2/3 Area Flatbed | 07321 |
| 2/3 Area Flatbed Side Kit | 07322 |
| Heater Kit | 07330 |
| Bed Liner | 07331 |
| Sunshade Kit | 07332 |
| Fold-down Windshield Kit | 07333 |
| 1/3 Area Flatbed | 07341 |
| 1/3 Area Stake Side Kit | 07342 |
| 1/3 Area Platform Lift | 07344 |
| Rear PTO Kit | 07419 |
| Hand Throttle Kit | 07420 |
| Spiker | 08856 |
| Finish Grader | 08867 |
| Gas and Diesel Engine Cover Kit | 105-7996 |
| MPH Tachometer Kit | 105-9499 |
| Tachometer Kit | 107-7976 |
| Signal Light Kit | 107-7985 |
| Accessory Wire Harness Kit | 107-7987 |
| Work Light Kit | 107-7988 |
| High Air Intake Kit | 107-8003 |
| Remote Hydraulics Float Kit | 107-8004 |
| Backup Alarm Kit | 107-8037 |
| Side Mirror Kit | 107-8048 |
| Arrestor-Spark | 108-3108 |
| Mirror Kit, Heavy-Duty Workman Vehicles with Cab | 110-2510 |
| Single Nozzle Kit | 41024 |
| Hose Reel Kit | 41097 |
| Spray Gun Kit | 41133 |
| Pro Foam Concentrate (4 X 1 Gallon) | 41157 |
| Foam Marker Kit | 41228 |
| Workman 200 Spray System | 41235 |
| Spreader Base Unit | 41253 |
| Vicon Spreader | 41256 |
| Enclosed Boom | 41355 |
| Enclosed Walking Boom | 41358 |
| Enclosed Walking Boom Trailer | 41359 |
| Enclosed Boom Mount | 41363 |
| Power Holster Hitch Kit | 44209 |
| Drawbar Kit | 44212 |
| Hitch Frame and Draw Bar Kit | 44213 |
| Topdresser 1800 | 44225 |
| Fifth Wheel Hitch Kit | 44230 |
| Core Harvester Adapter Kit | 44242 |
| Rear Tire And Wheel ASM | 87-5370 |
| 24 Inch Rear Fender Kit | 87-5430 |
| Tire-Rear | 87-6740 |
| 1/3 Area Tool Box Mounting Kit | 92-1219 |

Attachments and Accessories (continued)

For 07364 - Workman 4300-D with Bed

| Product Name | Model/Part |
|---------------------------------------|------------|
| Automatic Tailgate Release Kit | 92-1220 |
| Block-Fuse | 92-2641 |
| PTO Over Running Clutch Kit | 92-2655 |
| Topdresser 1800 Lift Kit | 92-4452 |
| Mid-Mount Kit for Platform Lift | 93-3741 |
| 1/3 Area Cover Kit | 93-9225 |
| Rear 1/3 Area Mounting Kit | 93-9249 |
| Tire-Front | 94-5261 |
| Rear Wheel ASM | 98-2978 |
| Wheel And Tire Kit | 98-2992 |
| Tire-Rear | 98-2993 |
| Tire-Rear, Industrial | 99-1091 |
| Rear Tire ASM | 99-1093 |

NOTES

