



Workman[®] 2110 Utility Vehicle

Model No. 07277 - 260000001 and up.

Parts Catalog

Ordering Replacement Parts

To order replacement parts, please supply the part number, the quantity, and the description of each part desired.

Understanding Reference Numbers

Each Identified part in an illustration has a reference number. The reference number for a part also appears in the parts list, along with other information about the part.

This catalog uses two special reference number formats, one to indicate parts in a service assembly and another to indicate the quantity of a given part in an illustration.

Service Assembly Reference Numbers

Parts in service assemblies have reference numbers in the form a:b. The a represents the reference number of the entire service assembly and the b represents a sequential number unique to each part within the service assembly.

For example, a wheel assembly might be identified by reference number 6, the tire by 6:1, the valve by 6:2, and the wheel by 6:3. When you order the assembly identified by reference number 6, you receive all parts identified by reference numbers 6:1, 6:2, and 6:3. However, you may also order any part individually. Reference numbers of this type appear in illustrations and in part lists.

Reference Numbers Indicating Quantity

In an illustration, if a reference number indicates more than one part, the reference number has the form nX y. The n represents the quantity of the part, the X is the multiplication symbol, and the y represents the reference number.

For example, in an illustration, the reference number 2X 37 means that two of the parts identified by reference number 37 are indicated.

Contents

Description	Page	Description	Page
Hood and Fender Assembly	3	Cylinder Assembly Briggs and Stratton 303440-1326-E1	29
Pedal Assembly	4	Crankcase Assembly Briggs and Stratton 303440-1326-E1	30
Shifter Assembly	5	Crankshaft Assembly Briggs and Stratton 303440-1326-E1	31
Frame Assembly	6	Cylinder Head Assembly Briggs and Stratton 303440-1326-E1	32
Seat Base Assembly	7	Oil Filter, Tube and Pump Assembly Briggs and Stratton 303440-1326-E1	33
Front Tire and Steering Assembly	8	Carburetor Assembly Briggs and Stratton 303440-1326-E1	34
Engine and Clutch Assembly	9	Intake Manifold Assembly Briggs and Stratton 303440-1326-E1	35
Drive Clutch Assembly No. 108-7013	11	Governor Assembly Briggs and Stratton 303440-1326-E1	36
Starter Generator Assembly No. 99-7108	12	Flywheel Assembly Briggs and Stratton 303440-1326-E1	37
Rear Tire and Transaxle Assembly	13	Blower Housing Assembly Briggs and Stratton 303440-1326-E1	38
Transaxle Assembly No. 107-0360	14	Gasket Assembly Briggs and Stratton 303440- 1326-E1	39
Driven Clutch Assembly No. 99-7104	16	Carburetor Overhaul Kit Assembly Briggs and Stratton 303440-1326-E1	40
Left Hand Brake Assembly No. 104-6807	17	Attachments and Accessories List	41
Right Hand Brake Assembly No. 104-6806	18		
Drivetrain Mounting, Battery and Air Cleaner Assembly	19		
Air Cleaner Assembly No. 99-7120	20		
Upper Steering Assembly	21		
Steering Gearbox Assembly No. 99-7660	22		
Box and Tailgate Installation Assembly	23		
Box and Tailgate Assembly	24		
Hydraulic Brake Assembly	25		
Left Hand Caliper Assembly No. 107-0361	26		
Right Hand Caliper Assembly No. 107-0362	27		
Master Cylinder Assembly No. 104-6782	28		

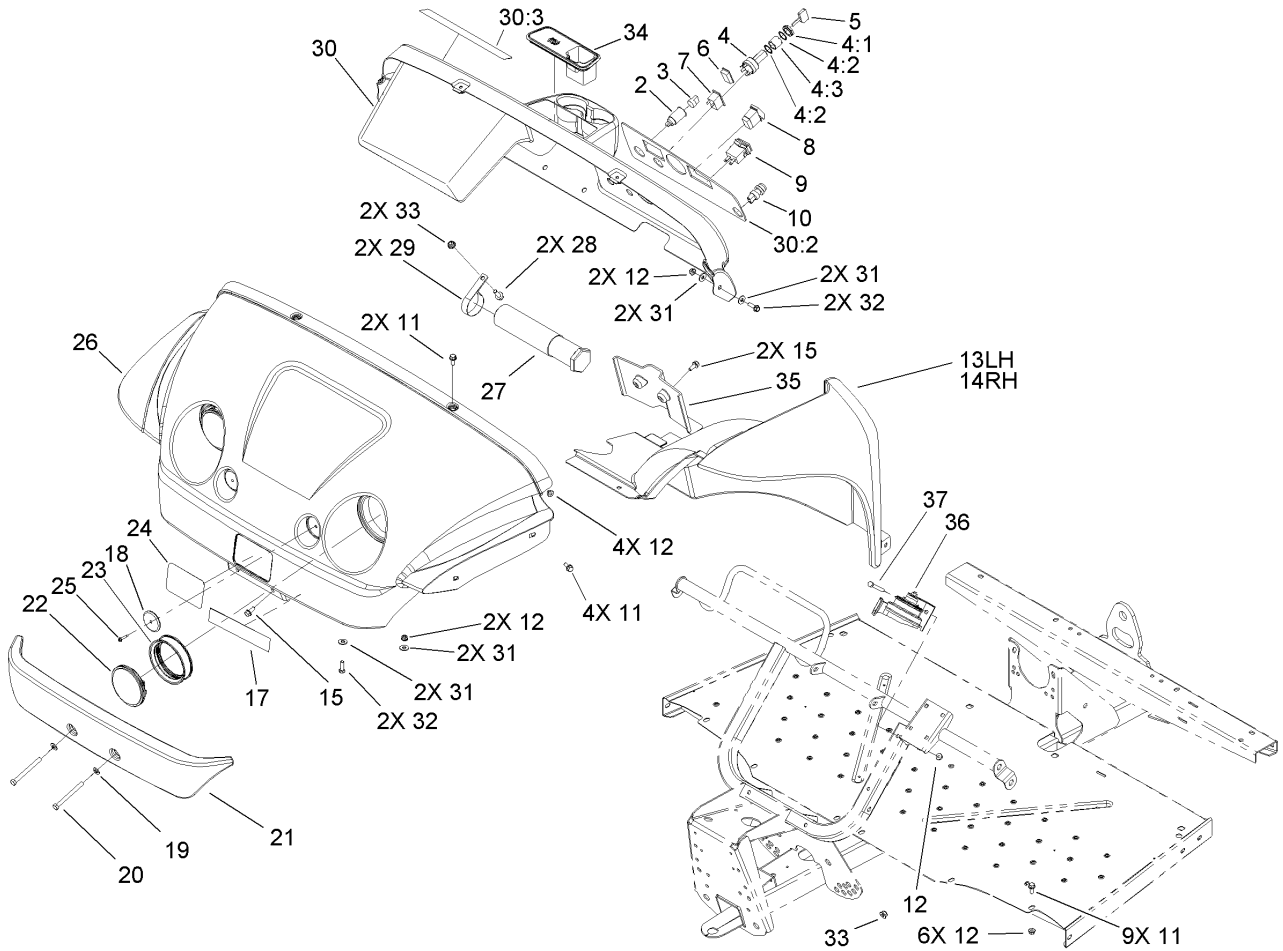
Part Description Abbreviations

Part descriptions in this catalog may include the following abbreviations.

AR. as required	INC. incorporated
ASM. assembly	LH. left hand
BBC. blade brake clutch	NI. nylon insert
CARR. carriage	NPTF. national pipe thread fine
DEG. degrees	PFH. phillips flat head
EXT. external	PPH. phillips pan head
FH. flat head	PPHTF. phillips pan head thread forming
GA. gauge	PRH. phillips round head
HF. hex flange	PTH. phillips truss head
HH. hex head	PTO. power-take-off
HHF. hex head flange	RH. right hand
HHFTF. hex head flange thread forming	ROPS. roll-over-protection-system
HJ. hex jam	SFH. slotted fillister head
HLH. hex lag head	SHH. slotted hex head
HOC. height-of-cut	SHWH. slotted hex washer head
HSBH. hex socket button head	SPH. slotted pan head
HSFH. hex socket flat head	SQH. square head
HSH. hex socket head	SRH. slotted round head
HWH. hex washer head	STD. standard
HWHTF. hex washer head thread forming	TAP. self tapping
HYD. hydraulic	TTH. torx truss head

Footnotes

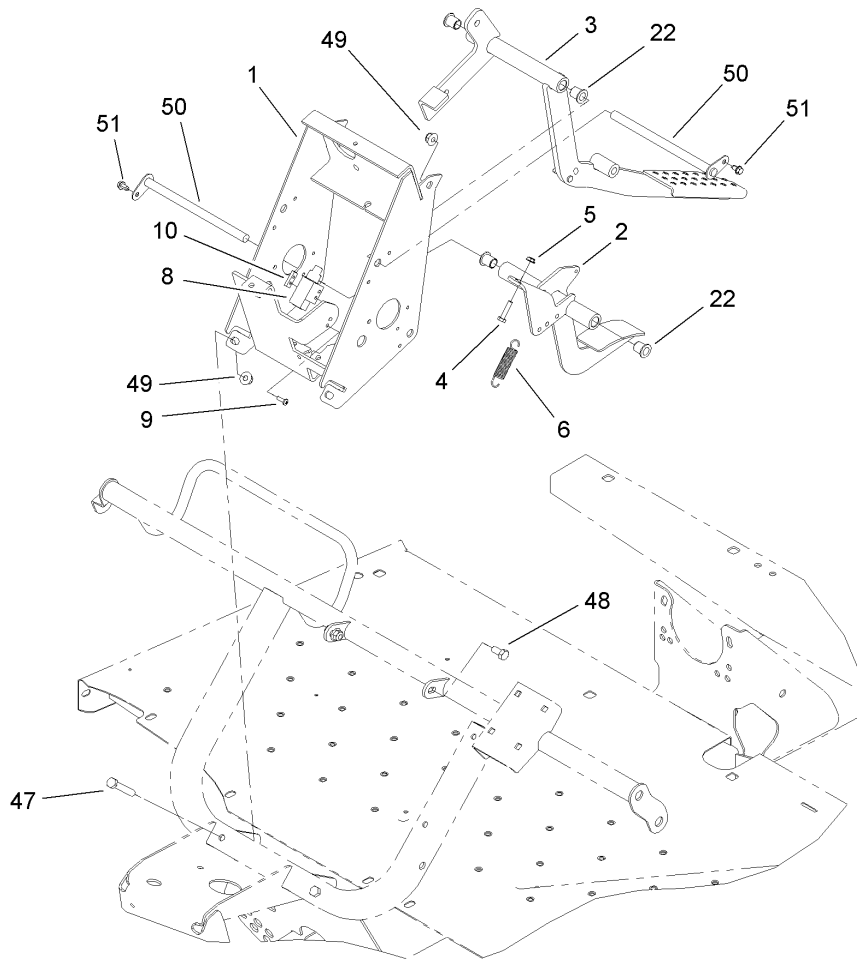
- | | |
|---|---|
| ❶ Not illustrated | ❷ Not serviced separately |
| ❸ Included in Engine Gasket Set-Ref. 358. | ❹ Included in Valve Gasket Set-Ref. 1095. |
| ❺ Included in Carburetor Overhaul Kit-Ref. 121. | ❻ Obtain from your local Briggs & Stratton dealer |



Hood and Fender Assembly

Ref	Part No.	Qty.	Description
2	99-7411	1	Point-Power
3	99-7416	1	Cap
4	104-6929	1	Switch-Ignition
4:1	104-7042	1	Nut-Switch, Plastic
4:2	104-7019	2	Washer-Lock, Internal
4:3	104-7021	1	Spacer-Switch
5	99-7418	2	Key-Ignition
6	99-7420	1	Plug-Hole
7	99-7410	1	Light-Oil
8	95-8999	1	Switch
9	94-4208	1	Hourmeter
10	18-2830	1	Button-Horn
11	3234-5	14	Screw-HHF
12	104-8300	15	Nut-Flange, NI
13	104-7076	1	LH Fender ASM
14	104-7077	1	RH Fender ASM
15	104-7206	4	Screw HHF
17	104-7267	1	Decal
18	99-7312	2	Reflector
19	3256-24	2	Washer-Flat
20	323-42	2	Screw-HH
21	99-7733	1	Bumper-Plastic
22	99-7310	2	Headlight
23	99-7311	2	Mount-Headlight

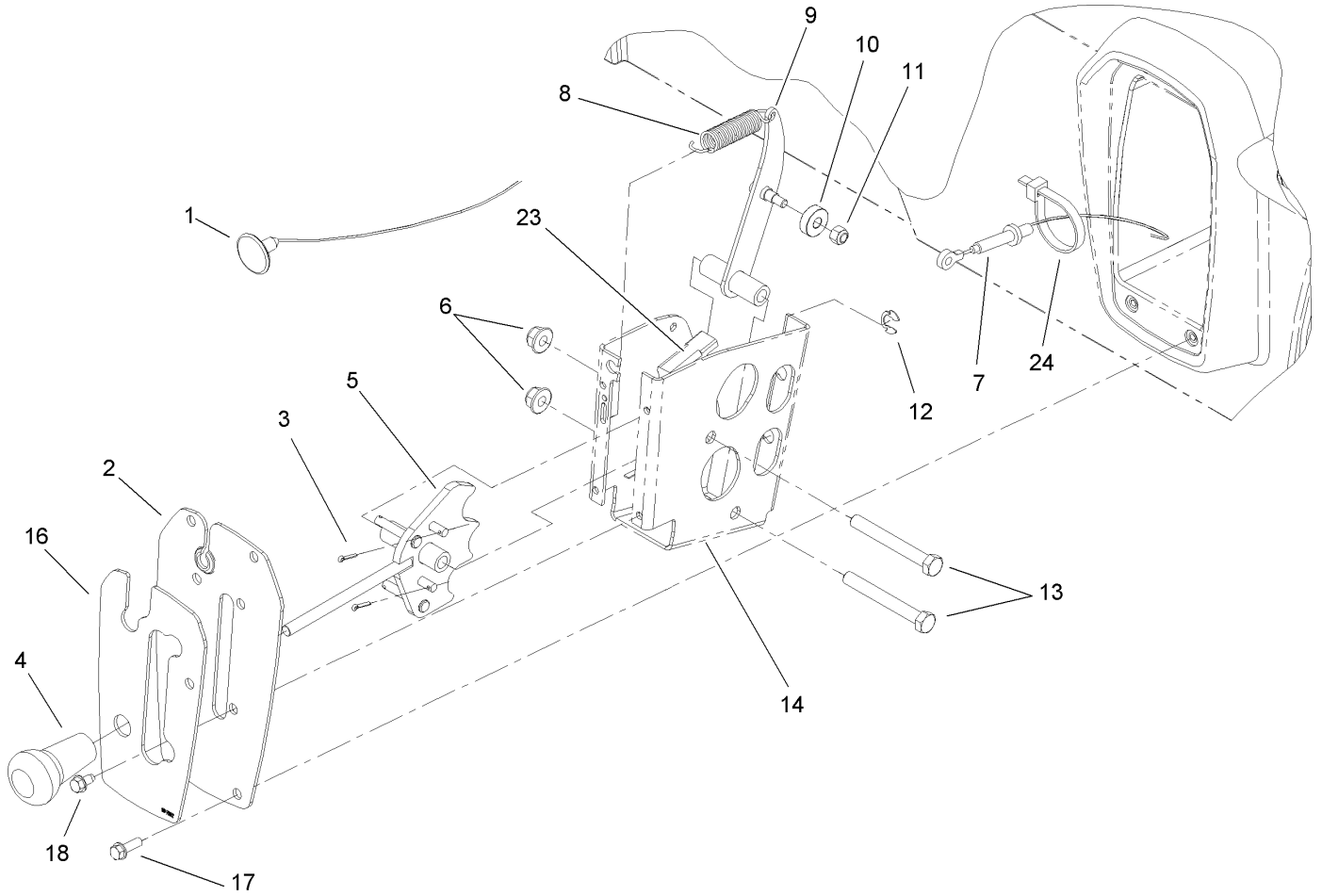
Ref	Part No.	Qty.	Description
24	99-7339	1	Decal
25	32144-89	2	Screw-Forming, Thread
26	104-7003	1	Hood
27	74-0720	1	Tube-Manual
28	3234-11	2	Screw-HHF
29	2412-133	2	R-Clamp
30	107-0700	1	Dash ASM
30:2	107-0699	1	Decal-Panel, Control
30:3	104-6581	1	Decal-Danger
31	3256-3	8	Washer-Flat
32	3234-17	4	Screw-HHF
33	104-8301	4	Nut-Flange, NI
34	104-6930	1	Plug-Rubber
35	104-7075	1	Cover-Channel
36	116749	1	Horn
37	322-11	1	Screw-HH



Pedal Assembly

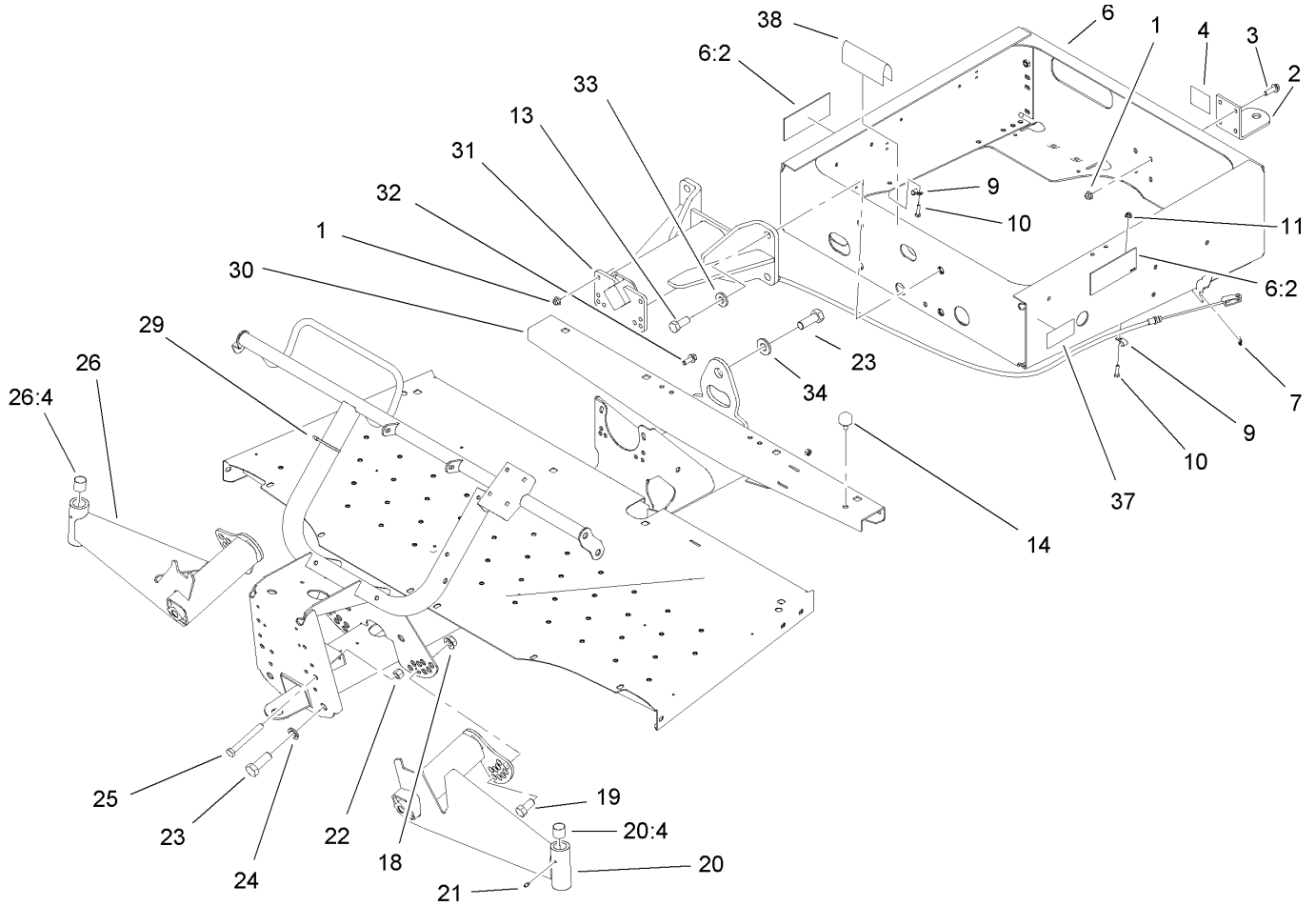
Ref	Part No.	Qty.	Description
1	110-2605-03	1	Frame-Pedals
2	110-2607-03	1	Pedal-Throttle
3	104-7170-03	1	Pedal-Brake
4	321-7	2	Screw-HH
5	32149-2	2	Nut-Keps
6	104-6415	1	Spring-Return, Pedal
8	99-7407	1	Switch
9	104-7221	2	Screw-PPH
10	1-633181	1	Plate-Tapped
22	256-155	4	Bushing-Flange
47	323-11	2	Screw-HH
48	323-4	2	Screw-HH
49	104-8301	4	Nut-Flange, NI
50	104-7164	2	Pivot-Pedals
51	12-3270	2	Screw

--	--	--	--



Shifter Assembly

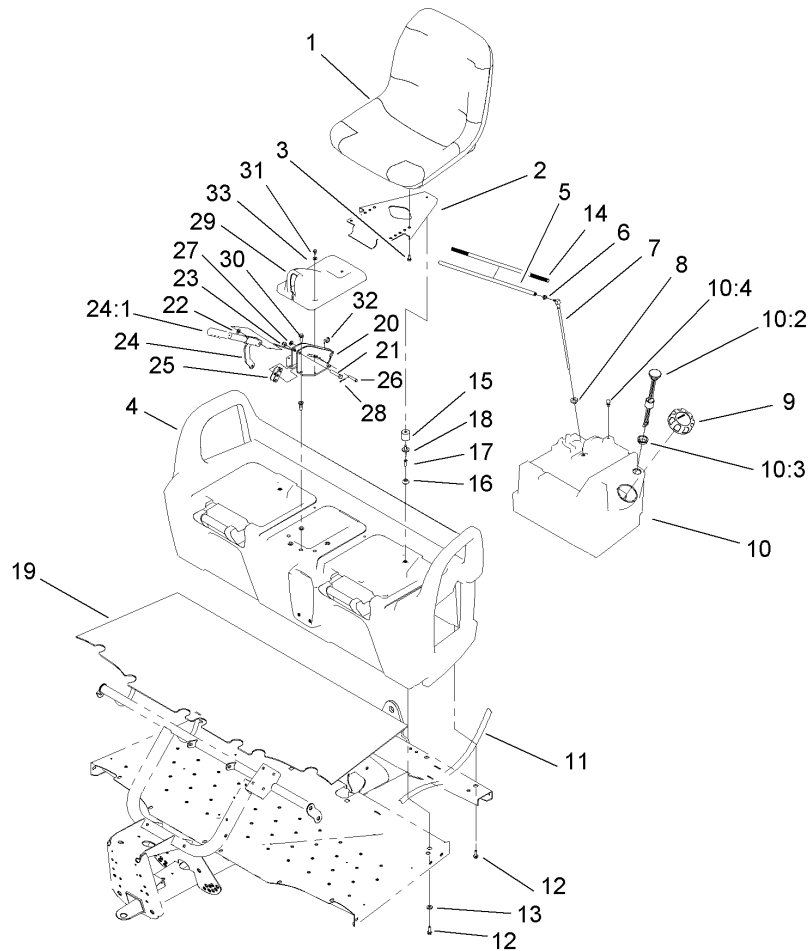
Ref	Part No.	Qty.	Description
1	99-7111	1	Cable-Choke
2	99-7887-03	1	Plate-Shifter
3	3272-5	2	Pin-Cotter
4	99-7981	1	Knob-Grip, Soft
5	108-3139	1	Lever-Shift
6	104-8301	2	Nut-Flange, NI
7	104-6896	2	Cable-Shift
8	104-6415	1	Spring-Return, Pedal
9	108-3138	1	Arm-Detent
10	251-307	1	Bearing-Ball
11	3296-42	1	Nut-Lock, NI
12	32151-101	2	E-Ring
13	323-14	2	Screw-HH
14	108-3141-03	1	Bracket-Shift
16	99-7952	1	Decal-Shifter
17	32105-15	4	Screw
18	12-3270	4	Screw
23	99-7408	1	Switch-Reverse
24	3290-378	1	Tie-Cable



Frame Assembly

Ref	Part No.	Qty.	Description
1	104-8301	8	Nut-Flange, NI
2	99-7654-03	1	Hitch-Duty, Light
3	3234-24	4	Screw-HHF
4	99-7350	1	Decal-Information
6	108-3137	1	Rear Frame ASM
6:2	99-7345	2	Decal-Warning
7	32120-47	2	Ring-Retaining, External
9	2412-89	2	Clamp
10	321-6	2	Screw-HH
11	32128-33	2	Nut-HF
13	327-4	4	Screw-HH
14	87-2440	1	Bumper-Rubber
18	32128-54	2	Nut-HF
19	3214-2	2	Screw-HH
20	99-7685	1	LH A-Arm ASM
20:4	3-0348	2	Bushing
21	302-5	2	Fitting-Grease
22	3296-23	2	Nut-Lock, NI
23	328-24	5	Screw-HH
24	3254-7	4	Washer-Lock, Int
25	325-17	2	Screw-HH
26	99-7684	1	RH A-Arm ASM
26:4	3-0348	2	Bushing
29	3290-379	12	Tie-Cable

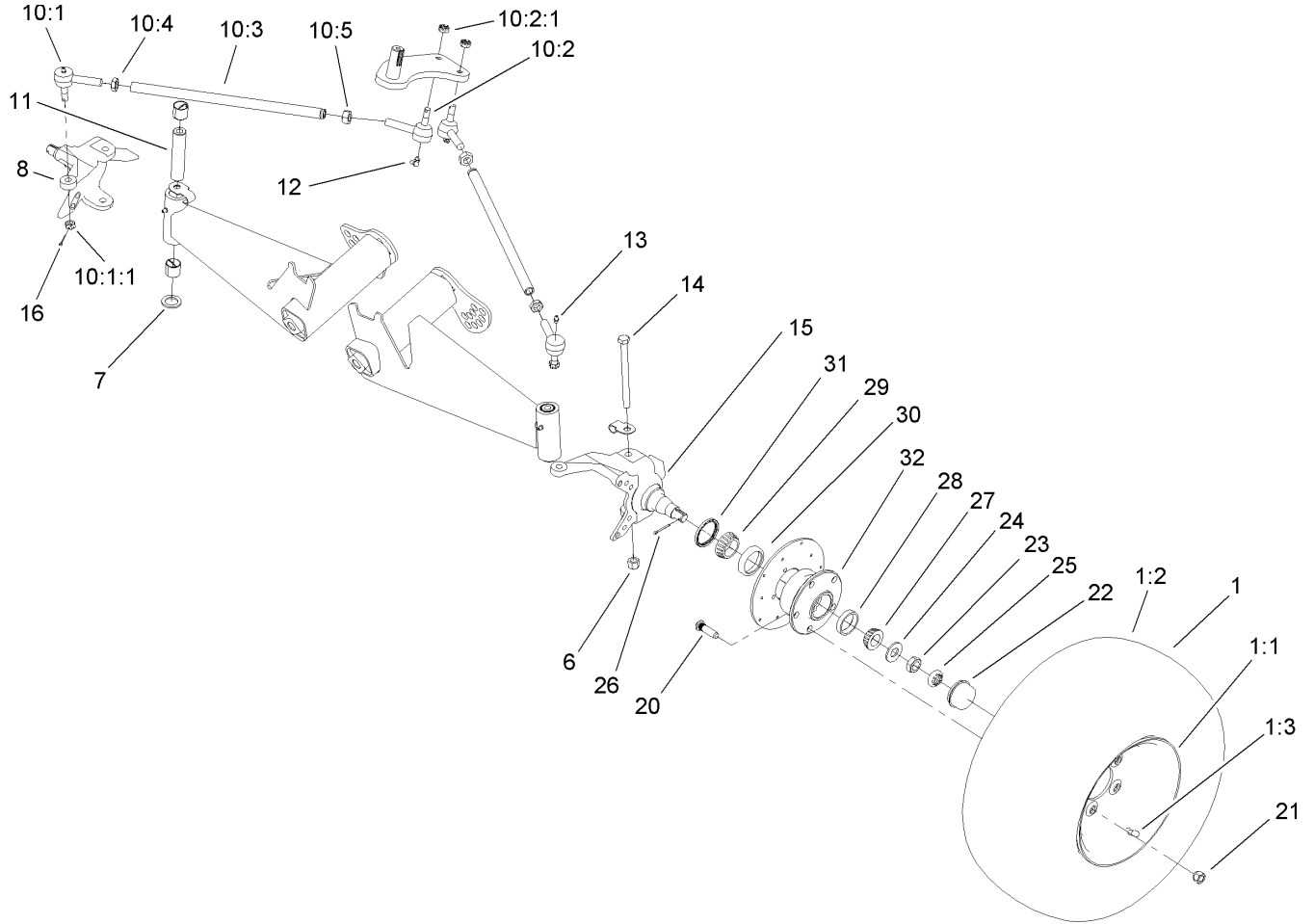
Ref	Part No.	Qty.	Description
30	104-7197-03	1	Front Frame ASM
31	99-7700	1	Pivot Yoke ASM
32	3234-11	4	Screw-HHF
33	99-7667	4	Washer-Flat
34	87-3060	1	Washer-Hardened
37	104-6591	1	Decal-Capacity
38	95-5686	1	Trim



Seat Base Assembly

Ref	Part No.	Qty.	Description
1	106-6672	2	Seat
2	99-7829	2	Bracket-Seat
3	33114-016	8	Screw-HH
4	104-6847	1	Seat Base ASM
5	108-4582	1	Hose-Fuel
6	2412-98	1	Clamp
7	99-7264	1	Pipe-Stand
8	46-6560	1	Bushing
9	95-4192	1	Unleaded Gas Cap ASM
10	99-7323	1	Fuel Tank ASM
10:2	99-7262	1	Gauge-Fuel
10:3	95-8972	1	Grommet
10:4	99-7267	1	Vent-Air
11	3339-175	1	Strapping-Web, 48 Inch
12	3234-17	8	Screw-HHF
13	88-7200	8	Washer-Flat
14	99-7129	1	Conduit-Line, Fuel
15	99-7830	2	Rubber Receptical ASM
16	99-7833	2	Post-Holding
17	32108-5	2	Screw-FH
18	3290-412	2	Rivet
19	104-6590	1	Mat-Floor
20	104-6844-03	1	Support-Brake, Park
21	323-10	1	Screw-HH

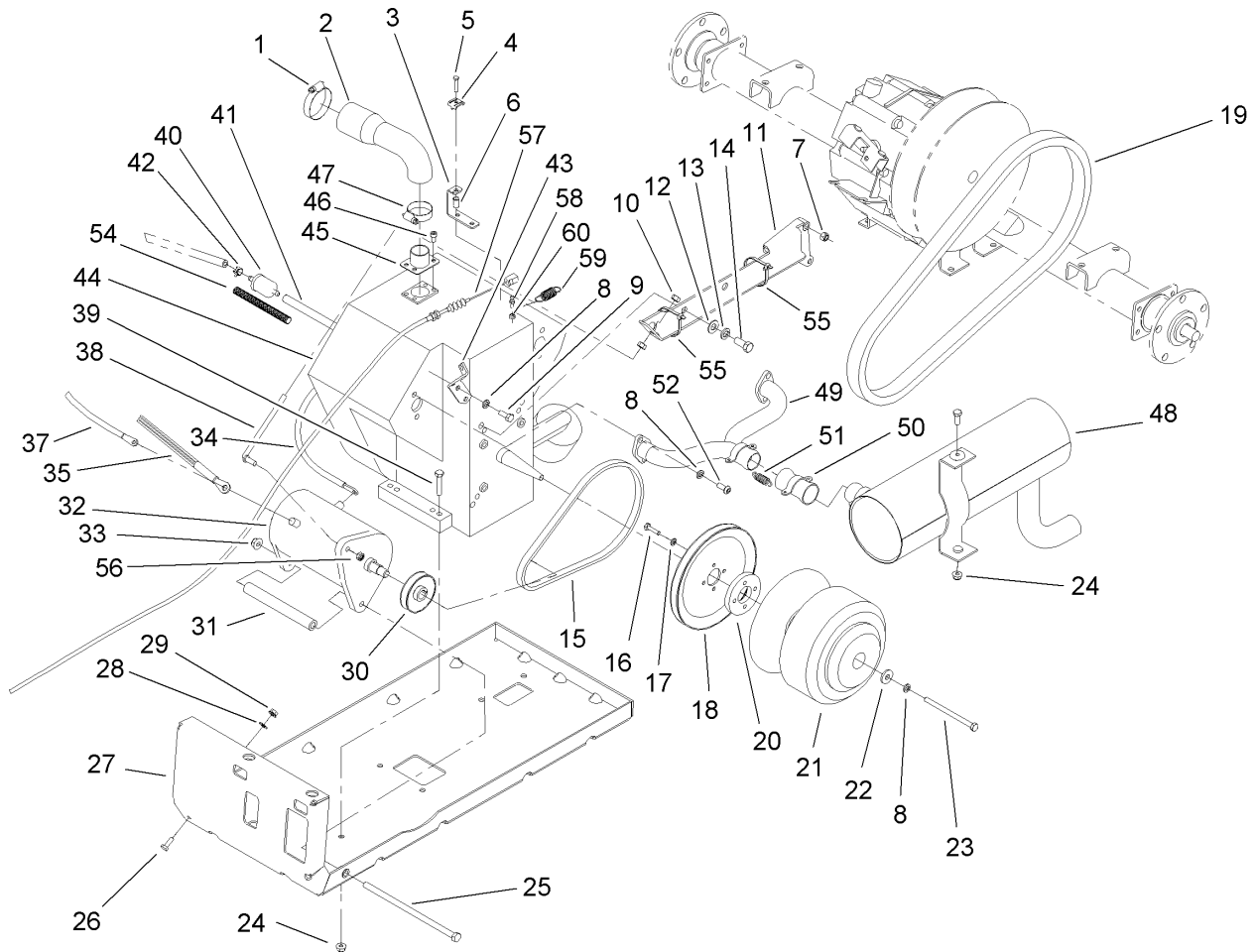
Ref	Part No.	Qty.	Description
22	3290-477	1	Washer-Curved
23	3296-39	1	Nut-Lock, NI
24	104-6842	1	Lever-Brake, Park
24:1	106-7972	1	Grip-Handle
25	87-3480	1	Bracket-Equalizer, Cable
26	94-3829	1	Pin-Clevis
27	3256-23	1	Washer-Flat
28	3272-6	1	Pin-Cotter
29	104-7014	1	Cover-Brake, Parking
30	3234-17	4	Screw-HHF
31	12-3270	2	Screw
32	32120-47	2	Ring-Retaining, External
33	3256-1	2	Washer-Flat



Front Tire and Steering Assembly

Ref	Part No.	Qty.	Description
1	104-7290	2	Tire \ Wheel ASM
1:1	104-7288	1	Wheel
1:2	104-7289	1	Tire
1:3	232-27	1	Stem-Valve
6	3296-23	2	Nut-Lock, NI
7	256-115	2	Washer-Thrust
8	104-6877	1	Spindle-Disc, RH
10		2	Rod-Tie
10:1	112772-03	1	Joint-Ball, RH
10:1:1	915031	1	Nut
10:2	112771-03	1	Joint-Ball, LH
10:2:1	915031	1	Nut
10:3	99-7600-03	1	Rod-Tie
10:4	3220-11	1	Nut-Jam
10:5	3218-21	1	Nut-Jam
11	99-7499	2	Sleeve-Kingpin
12	302-60	2	Fitting-Grease, 90 DEG
13	302-5	2	Fitting-Grease
14	325-20	2	Screw-HH
15	104-6876	1	Spindle-Disc, LH
16	3272-7	4	Pin-Cotter
20	10-6830	10	Stud-Type, Drive
21	242-50	10	Nut-Lug
22	241-119	2	Cap-Dust

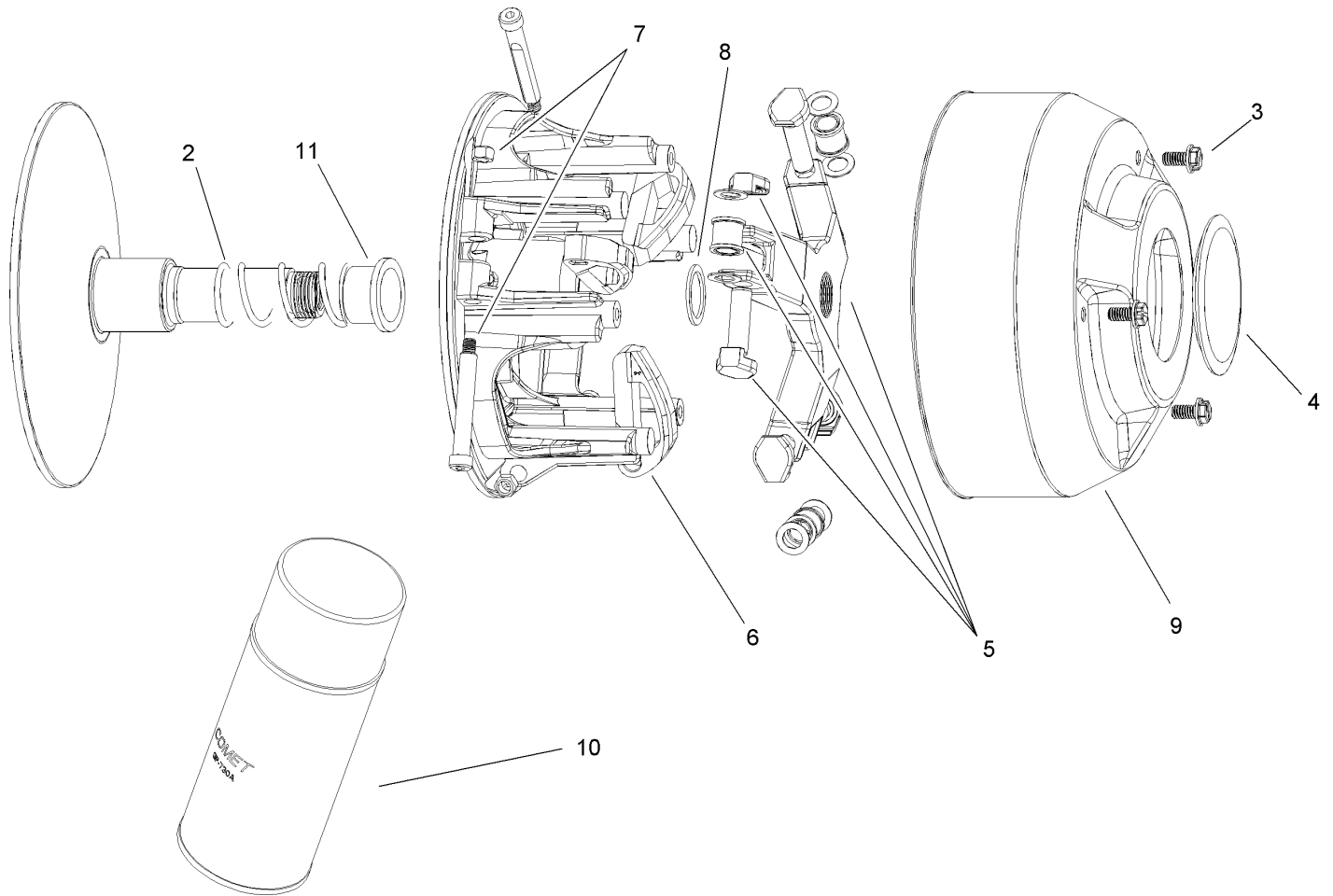
Ref	Part No.	Qty.	Description
23	3220-7	2	Nut-Jam
24	93-0309	2	Washer-Tab
25	93-0307	2	Nut-Lock, Retainer
26	3272-12	2	Pin-Cotter
27	254-94	2	Bearing-Cone, Tapered
28	254-72	2	Bearing-Cup, Tapered
29	254-106	2	Cone-Bearing, Tapered
30	254-107	2	Cup-Bearing, Tapered
31	108-7019	2	Seal-Shaft
32	104-6809	2	Hub



Engine and Clutch Assembly

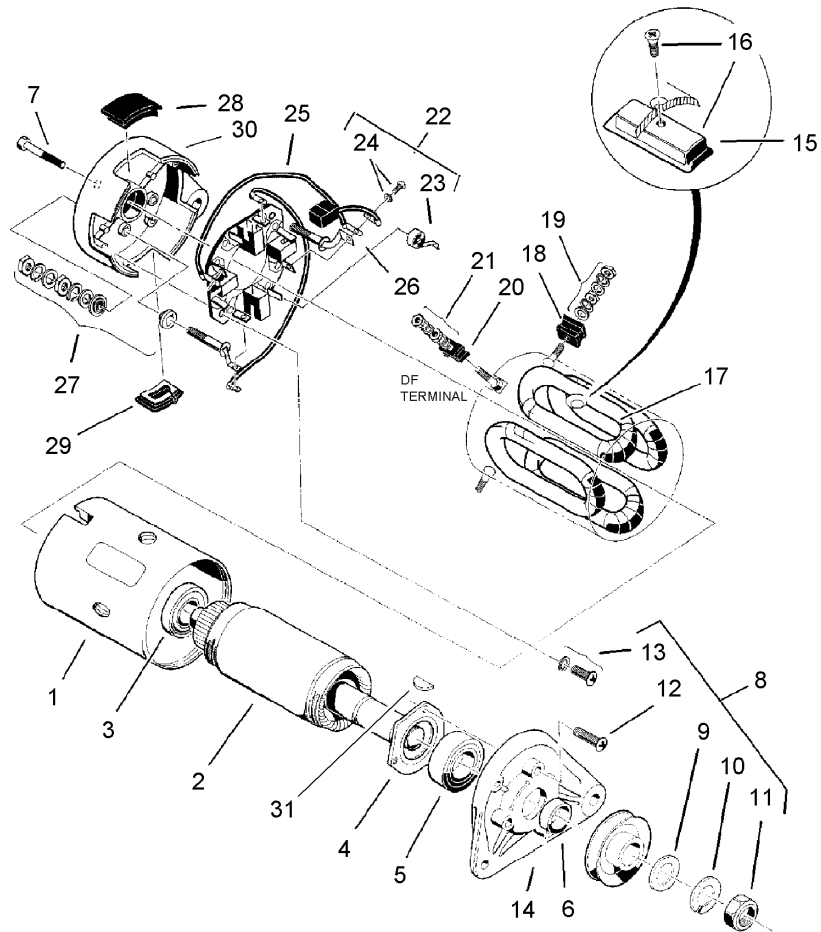
Ref	Part No.	Qty.	Description
1	2412-130	1	Clamp-Hose
2	99-7106	1	Hose-Intake
3	107-0319	1	Bracket-Cable
4	81-1690	1	Clamp-Cable
5	3290-432	1	Screw-HH
6	32148-14	1	Insert-Threaded
7	33024-00	2	Nut-Lock
8	3253-4	6	Washer-Lock
9	66-3160	2	Screw-Cap
10	3217-6	2	Nut-Hex
11	104-6631-03	1	Torque Arm ASM
12	3256-25	2	Washer-Flat
13	3253-6	2	Washer-Lock
14	324-4	2	Screw-HH
15	99-7133	1	V-Belt-Starter
16	321-6	4	Screw-HH
17	3253-3	4	Washer-Lock
18	99-7131	1	Pulley-Engine
19	99-7144	1	Belt-Drive
20	99-7064	1	Spacer-Starter
21	108-7013	1	Clutch-Drive
22	5-0838	1	Washer
23	99-7201	1	Screw-HH
24	104-8300	5	Nut-Flange, NI

Ref	Part No.	Qty.	Description
25	99-7203	1	Screw
26	321-4	1	Screw-HH
27	104-6433-03	1	Mount-Engine
28	3255-8	1	Washer-Lock
29	32128-32	1	Nut-HHF
30	99-7130	1	Pulley-Starter
31	99-7053	1	Pivot-Starter
32	99-7108	1	Generator-Starter
33	104-8301	2	Nut-Flange, NI
34	99-7403	1	Cable-Negative
35	99-7437	1	Harness-Wire, Engine
37	104-6926	1	Cable-Positive
38	104-6629	1	Rod-Starter
39	322-8	4	Screw-HH
40	94-2690	1	Filter-Fuel
41	109-0678	1	Hose-Fuel
42	2412-98	3	Clamp
43	104-7152	1	Bracket-Cable, Throttle
44	107-0353	1	Engine-Briggs & Stratton, 303440-1326-E1
45	99-7083	1	Bracket-Intake
46	99-7202	4	Screw
47	2412-3	1	Clamp-Hose
48	104-6475	1	Muffler-Engine



Drive Clutch Assembly No. 108-7013

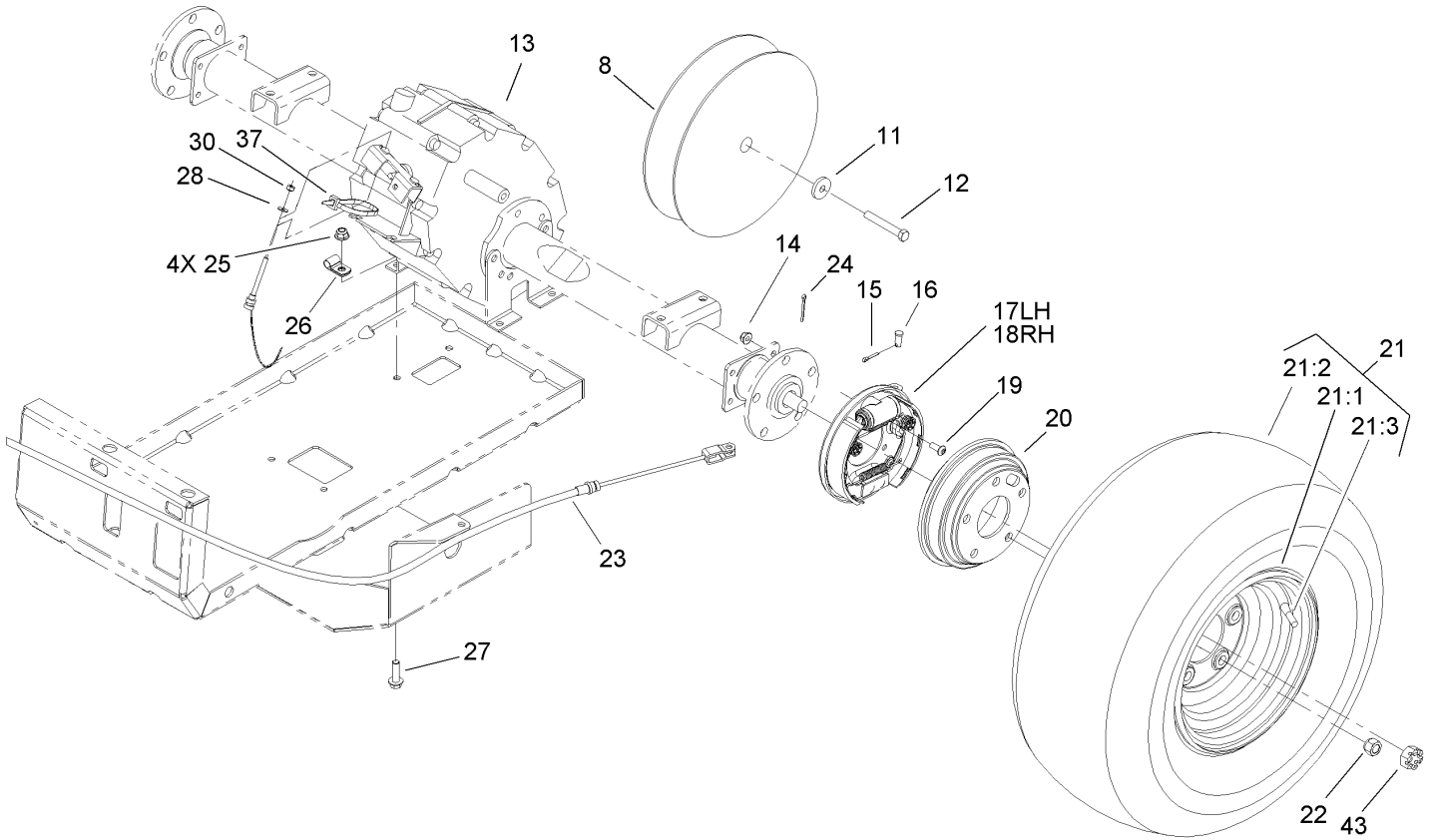
Ref	Part No.	Qty.	Description
2	104-1686	1	Spring
3	3234-26	3	Screw
4	104-1690	1	Cap
5	108-3047	1	Spider ASM
6	108-7008	1	Arm-Cam (Set Of 3)
7	104-4256	1	Pivot Bolt And Nut Kit
8	104-1687	1	Spacer
9	104-1691	1	Cover
10	104-7011	1	Lubricant-Dry
11	108-3048	1	Spacer-Clutch



Starter Generator Assembly No. 99-7108

Ref	Part No.	Qty.	Description
1		1	Yoke
2	104-1210	1	Armature Kit
3	104-1211	1	Bearing-Ball, Rear
4	104-1212	1	Retainer
5	104-1213	1	Bearing-Ball, Front
6	104-1214	1	Spacer
7	104-1215	2	Bolt
8		1	Nut And Screw Set
9	104-1216	1	Washer-Plain
10	104-1217	1	Washer-Spring
11	104-1218	1	Nut-Hex
12		3	Screw-Flange
13	104-1219	2	Set-Screw
14	104-1220	1	Bracket-Front
15		4	Pole
16	104-1221	1	Set-Pole And Screw
17	104-1222	1	Field Stator Coil ASM
18		2	F Mold
19	104-1223	2	Set-Screw
20		1	D F Mold
21	104-1224	1	Set-Screw
22	104-1225	1	Brush Holder Kit
23	104-1226	4	Spring-Brush
24	104-1227	1	Brush And Screw Set

Ref	Part No.	Qty.	Description
25		2	Brush Connector ASM
26		2	A Terminal ASM
27	104-1228	2	Screw And Mold ASM
28		1	Cover Set
29		1	Cover B
30		1	Bracket-Rear
31	3257-3	1	Key-Woodruff

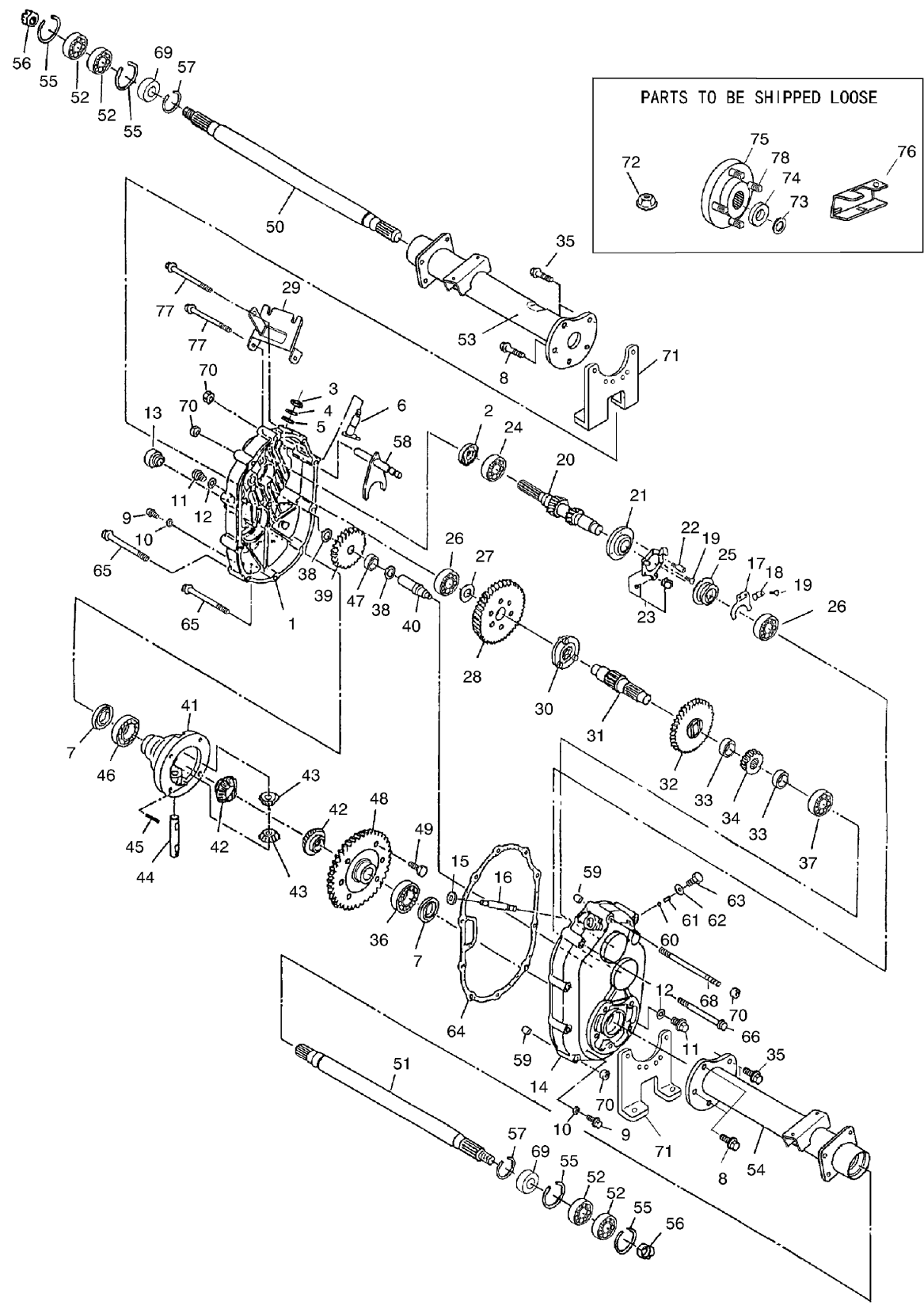


Rear Tire and Transaxle Assembly

Ref	Part No.	Qty.	Description
8	99-7104	1	Clutch-Driven
11	104-6563	1	Washer-Stepped
12	104-6564	1	Screw-HH
13	107-0360	1	Transaxle
14	104-8300	8	Nut-Flange, NI
15	3272-10	2	Pin-Cotter
16	283-62	2	Pin-Clevis
17	104-6807	1	LH Brake ASM
18	104-6806	1	RH Brake ASM
19	3274-55	8	Screw-HSBH
20	104-6500	2	Drum-Brake
21	104-7282	2	Tire And Wheel ASM
21:1	104-7279	1	Wheel
21:2	104-7281	1	Tire
21:3	232-27	1	Stem-Valve
22	242-50	10	Nut-Lug
23	104-6846	2	Cable-Brake, Park
24	3272-42	2	Pin-Cotter
25	104-8301	4	Nut-Flange, NI
26	2412-10	1	R-Clamp
27	3234-24	4	Screw-HHF
28	3256-49	2	Washer-Flat
30	3296-2	2	Nut-Lock
37	3290-378	1	Tie-Cable

Ref	Part No.	Qty.	Description
43	104-1656	2	Nut-Castle

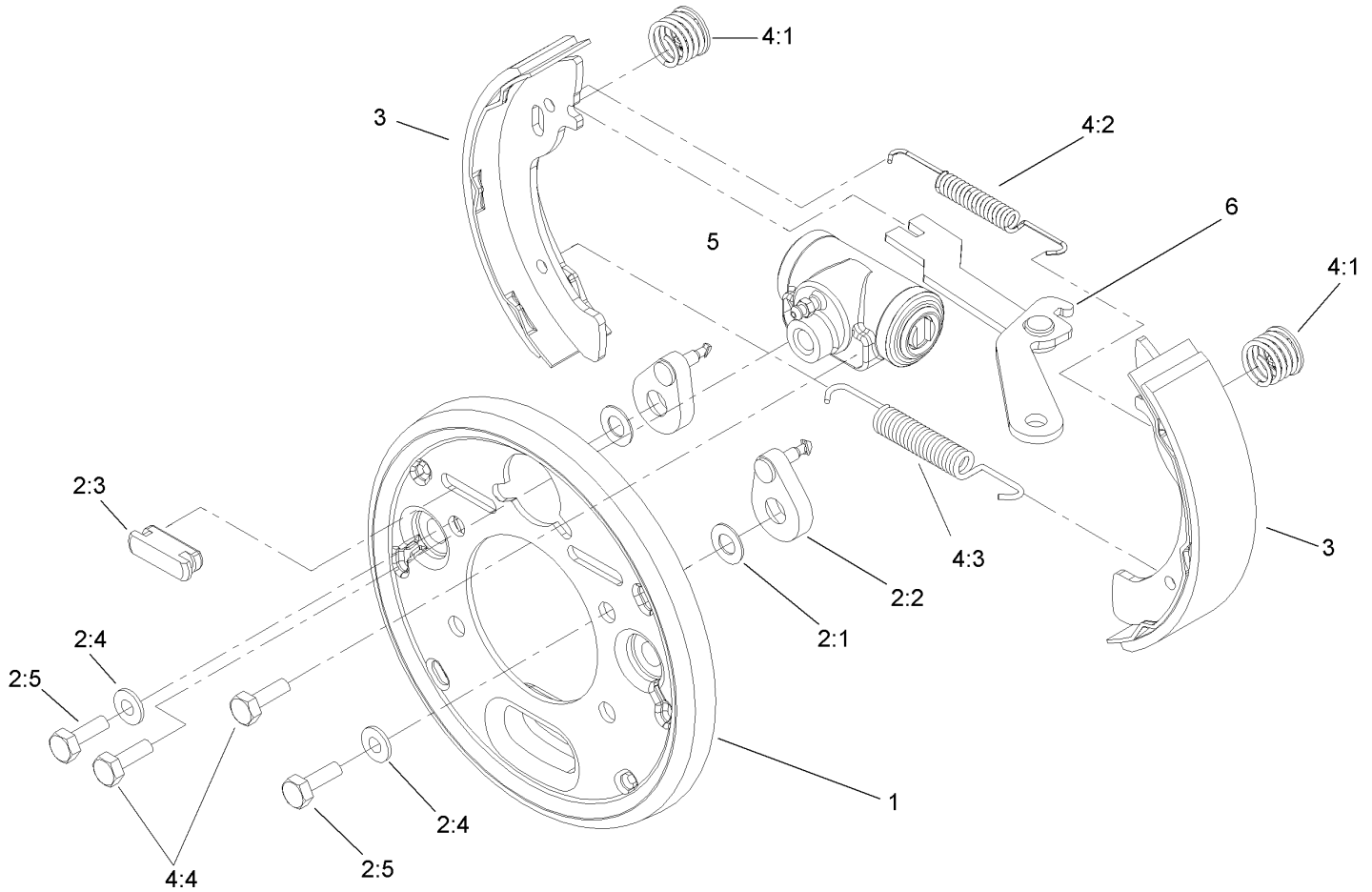
Transaxle Assembly No. 107-0360



Transaxle Assembly No. 107-0360

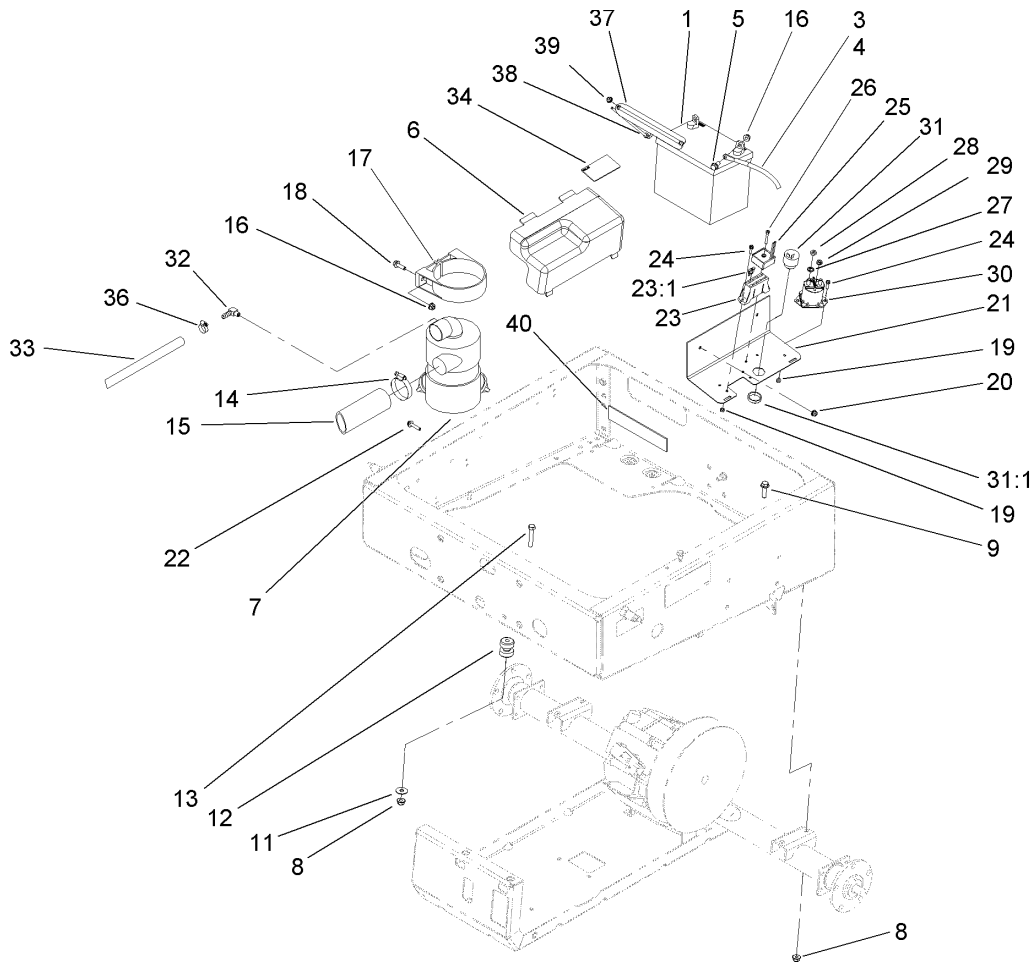
Ref	Part No.	Qty.	Description
1	104-1601	1	Case-LH, Complete
2	104-1602	1	Seal-Oil
3	104-1603	1	Seal-Oil
4	104-1604	1	Ring-Snap
5	104-1605	1	Spacer
6	104-1606	1	Shaft-Selector
7	104-1607	2	Seal-Oil
8	104-1608	4	Bolt-Flange
9	104-1609	2	Plug-Check, Oil
10	104-1610	2	Gasket
11	104-1611	2	Plug-Drain, Oil
12	104-1612	2	Gasket
13	104-1613	1	Plug-Filler, Oil
14	104-1614	1	Case-Complete, RH
15	104-1615	1	Seal-Oil
16	104-1616	1	Shaft-Governor
17	104-1617	1	Fork-Governor
18	104-1618	1	Stopper
19	104-1619	4	Screw And Washer ASM
20	104-7020	1	Shaft-Input, Complete
21	104-1621	1	Base-Governor
22	104-1622	1	Pin-Lock
23	104-1623	1	Unit-Plate, Governor
24	104-1624	1	Bearing-Ball
25	104-1625	1	Sleeve-Governor
26	104-1626	2	Bearing-Ball
27	104-1627	1	Spacer
28	104-1628	1	Gear
29	104-1629	1	Bracket-Wire, Change
30	104-1630	1	Clutch-Pin
31	104-1631	1	Shaft-Center
32	104-1632	1	Gear-47
33	104-1633	2	Collar
34	104-1634	1	Gear
35	104-1635	6	Bolt-Flange
36	104-1636	1	Bearing-Ball
37	104-1637	1	Bearing-Ball
38	104-1638	2	Spacer
39	104-1639	1	Gear-34
40	104-1640	1	Shaft-Counter
41	104-1641	1	Case-Differential
42	104-1642	2	Gear-Side, Differential
43	104-1643	2	Pinion-Differential
44	104-1644	1	Shaft-Differential
45	104-1645	1	Pin
46	104-1646	1	Bearing-Ball
47	104-1647	1	Bearing-Needle
48	104-1648	1	Gear-62
49	104-1649	6	Bolt
50	104-1650	1	Shaft-Axle, LH
51	104-1651	1	Shaft-Axle, RH
52	104-1652	4	Bearing-Ball

Ref	Part No.	Qty.	Description
53	104-1653	1	Case-Axle, LH
54	104-1654	1	Case-Axle, RH
55	104-1655	4	Ring-Snap
56	104-1656	2	Nut-Castle
57	104-1657	2	Ring-Snap
58	104-6870	1	Shaft-Shift, Complete
59	104-1659	2	Knock-Pipe
60	104-1660	1	Ball-Steel
61	104-1661	1	Spring
62	104-1662	1	Gasket
63	104-1663	1	Bolt
64	104-1664	1	Gasket
65	104-1665	6	Bolt-Flange
66	104-1666	1	Bolt-Flange
68	104-6866	1	Bolt
69	104-6867	2	Collar
70	33004-00	11	Nut-HF
71	104-1671	2	Bracket-Axle
72	104-1672	1	Nut-Lock
73	104-1673	2	Washer-Spring
74	104-1674	2	Washer
75	104-1675	2	Hub
76	104-6860	1	Lever-Select
77	104-6869	2	Bolt-Flange
78	104-8649	10	Stud



Right Hand Brake Assembly No. 104-6806

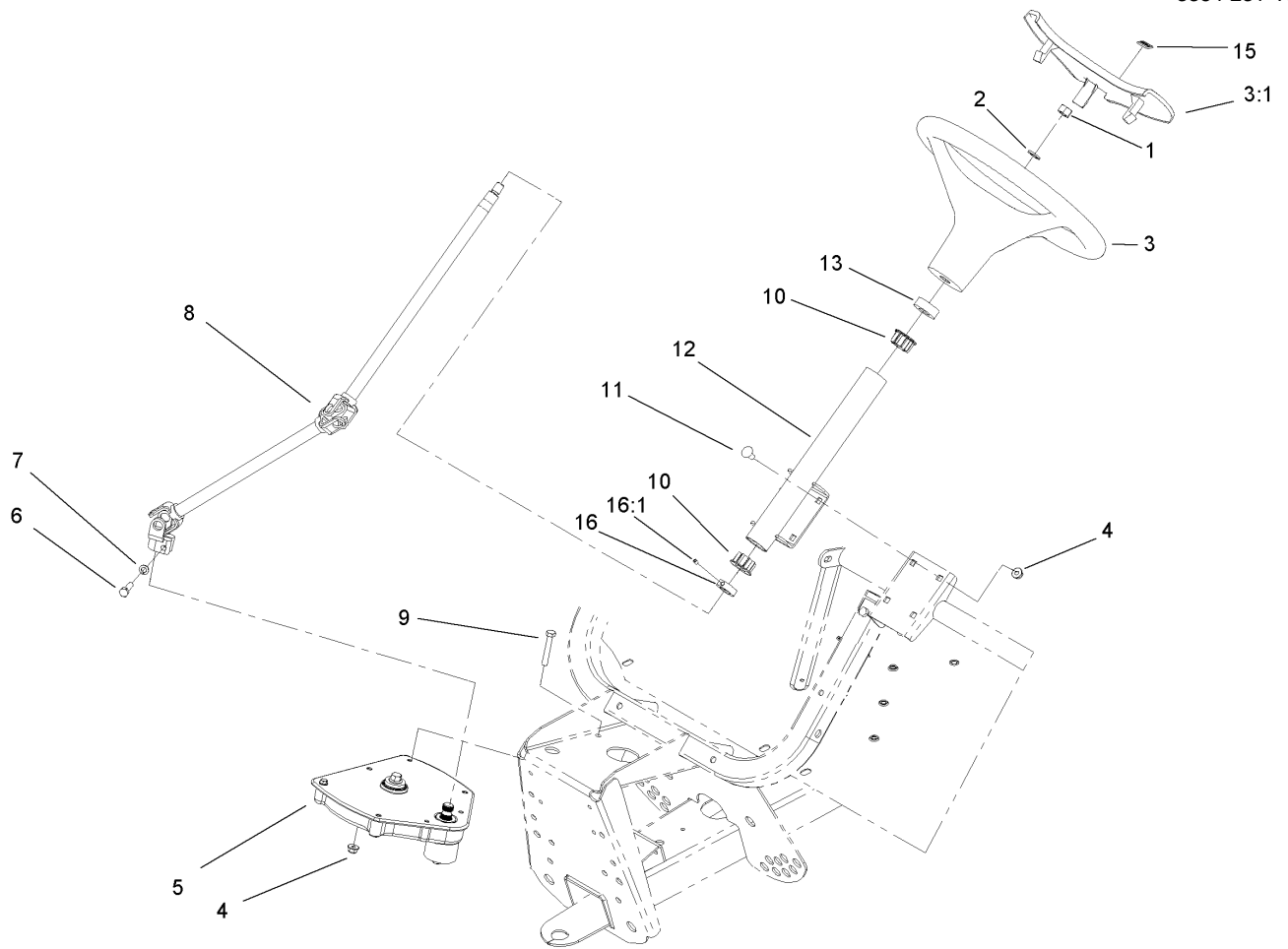
Ref	Part No.	Qty.	Description
1	100-8586	1	Backing Plate ASM
2	104-6820	1	Adjuster Kit
2:1	100-8585	2	Washer-Bellville
2:2	100-8588	2	Adjuster Lever ASM
2:3	100-8584	2	Cover-Dust
2:4		2	Screw
2:5		2	Bolt
3	104-6818	4	Shoe And Lining Kit
4	104-6819	1	Hardware Kit
4:1	100-8583	2	Shoe Hold Down Spring ASM
4:2	100-8581	2	Spring-Upper
4:3	100-8582	2	Spring-Lower
4:4		2	Bolt & Washer
5	104-6824	1	Wheel Cylinder ASM
6	104-6826	1	RH Park Brake Lever ASM



Drivetrain Mounting, Battery and Air Cleaner Assembly

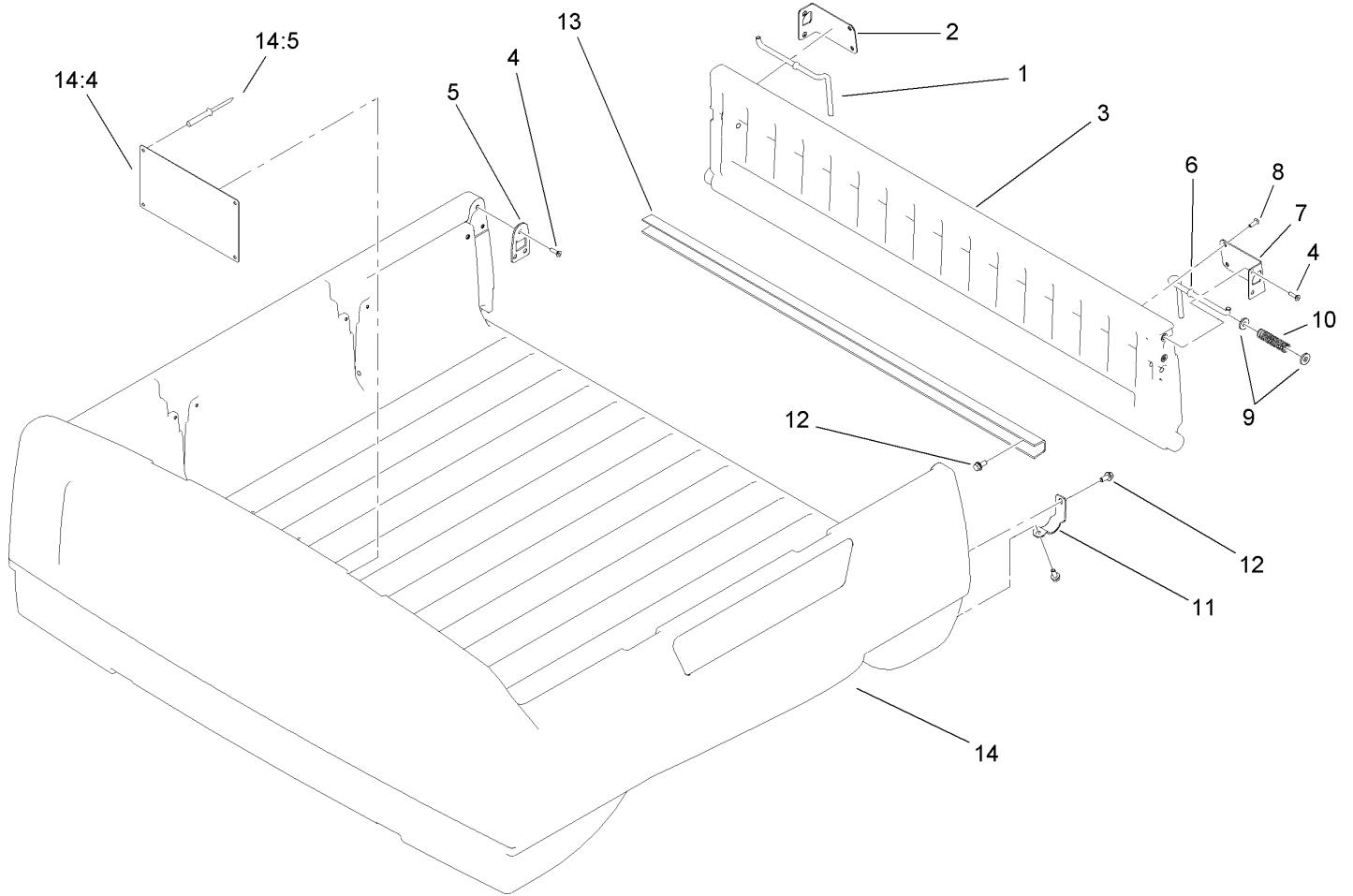
Ref	Part No.	Qty.	Description
1	104-8162	1	Battery
3	99-7415	1	Cable-Negative
4	99-7404	1	Cable-Positive
5	3234-5	2	Screw-HHF
6	99-7325	1	Cover-Electrical
7	99-7120	1	Filter-Air
8	104-8301	6	Nut-Flange, NI
9	3234-24	4	Screw-HHF
11	3256-35	2	Washer-Flat
12	95-2596	2	Mount-Iso
13	323-10	2	Screw-HH
14	2412-130	1	Clamp-Hose
15	104-6528	1	Hose-Intake
16	104-8300	4	Nut-Flange, NI
17	95-5806	1	Bracket-Mounting
18	3234-17	2	Screw-HHF
19	3296-2	5	Nut-Lock
20	32128-32	2	Nut-HHF
21	99-7051-03	1	Mount-Component
22	3234-21	2	Screw-Cap
23	107-0669	1	Harness-Wire, Main
23:1	218-578	3	Fuse-10 Amp
23:2	100-4918	1	Diode
24	32105-13	4	Screw-SHH

Ref	Part No.	Qty.	Description
25	104-6927	1	Regulator
26	32105-1	1	Screw-SHH
27	3255-8	2	Washer-Lock
28	3218-2	2	Nut-Jam
29	32149-8	2	Nut-Keps
30	99-7406	1	Solenoid
31	80-9330	1	Alarm-Audio
31:1	104-5107	1	Nut-Plastic, Knurled
32	99-7230	1	Fitting-90 DEG
33	99-7842	1	Hose-Breather
34	99-7352	1	Decal-Information
36	2412-36	2	Clamp-Hose
37	92-5018-03	1	Clamp-Battery
38	95-4042	2	Hook-Retain, Battery
39	104-7201	2	Nut-HF
40	104-7102	1	Pad-Battery



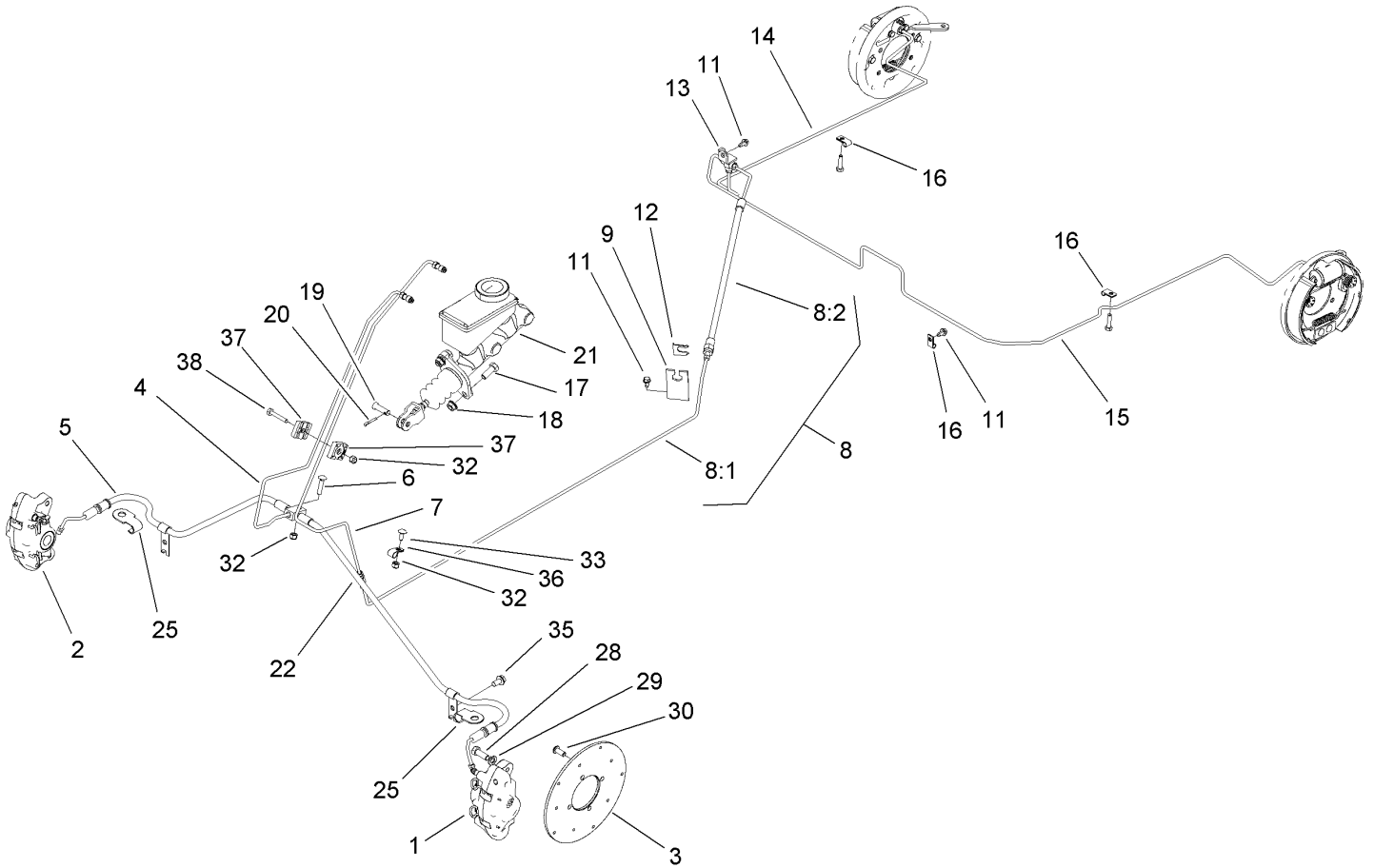
Upper Steering Assembly

Ref	Part No.	Qty.	Description				
1	3277-1	1	Nut-Hex				
2	48-8070	1	Washer-Lock				
3	98-1471	1	Wheel-Steering				
3:1	98-1468	1	Cover-Wheel, Steering				
4	104-8300	7	Nut-Flange, NI				
5	99-7660	1	Steering Gearbox ASM				
6	48-7730	1	Screw-HH				
7	3253-4	1	Washer-Lock				
8	99-7653	1	Shaft-Steering				
9	322-10	3	Screw-HH				
10	93-1146	2	Bushing-Upper, Steering				
11	3230-1	4	Bolt-CARR				
12	99-7651-03	1	Column-Steering				
13	21-9260	1	Cover-Dust				
15	98-1459	1	Decal				
16	111383	1	Collar				
16:1	3245-32	1	Screw-HSH				



Box and Tailgate Assembly

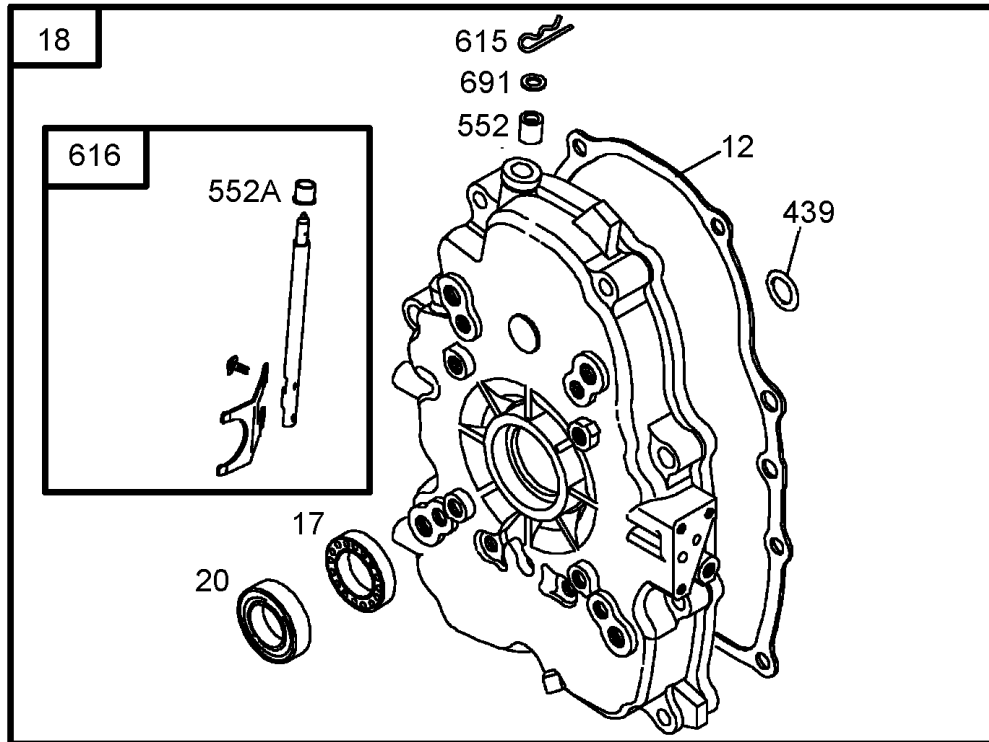
Ref	Part No.	Qty.	Description
1	99-7860	1	Rod-Latch, Right
2	99-7858	1	Bracket-Tailgate Latch, Right
3	99-7893	1	Tailgate ASM
4	99-7334	10	Screw
5	99-7852	2	Plate-Striker
6	99-7859	1	Rod-Latch, Left
7	99-7857	1	Bracket-Tailgate Latch, Left
8	99-7335	4	Screw
9	99-7861	4	Washer-Latch
10	61-8880	2	Spring
11	99-7286	2	Bracket-Pivot, Tailgate
12	3234-5	10	Screw-HHF
13	99-7867	1	Channel-Tailgate
14	104-7203	1	Box ASM
14:4	99-7954	1	Decal-No Riders
14:5	3290-415	4	Rivet



Hydraulic Brake Assembly

Ref	Part No.	Qty.	Description
1	107-0361	1	Caliper, LH
2	107-0362	1	Caliper, RH
3	104-6891	2	Rotor
4	104-6798	1	Tube-Front, Brake
5	104-7256	1	Front Hose ASM
6	3229-3	1	Screw-CARR
7	104-6793	1	Tube-Brake, Rear
8	104-6794	1	Complete Rear Brake Hose ASM
8:1	104-6794	1	Tube-Brake, Rear
8:2	104-6795	1	Hose-Brake, Rear
9	104-6799	1	Bracket-Hose, Brake
11	12-3270	3	Screw
12	104-7092	1	Clip
13	87-3560	1	Tee
14	104-6796	1	Tube-Brake Rear, RH
15	110-2604	1	Tube-Brake Rear, LH
16	2412-72	3	Clip-Closed, Insulated
17	323-6	2	Screw-HH
18	3290-357	2	Nut-HHF, Whiz
19	283-2	1	Pin-Clevis
20	3272-10	1	Pin-Cotter
21	104-6782	1	Cylinder-Master
22	87-3570	1	Union
25	104-7073	2	Bracket-Hose

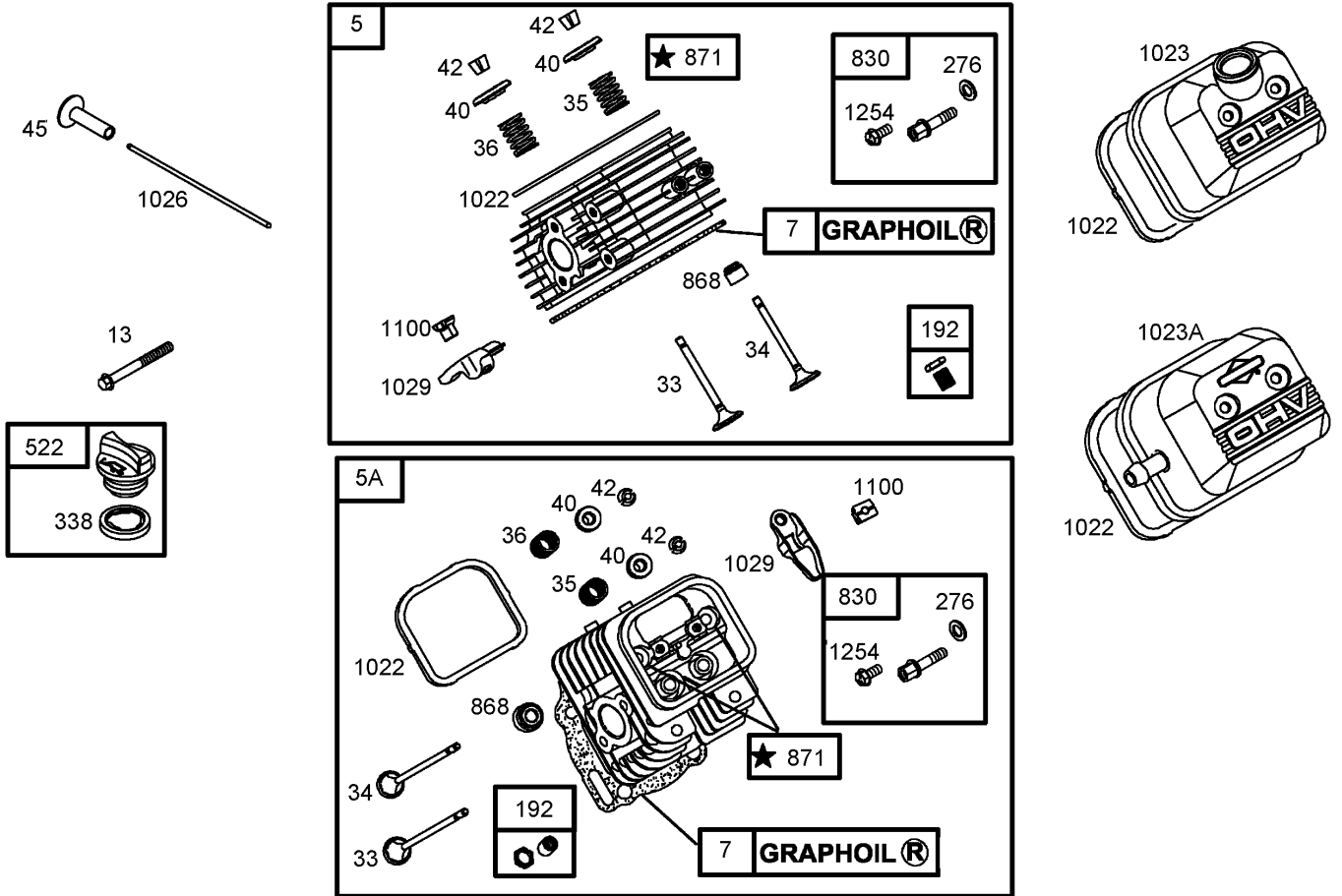
Ref	Part No.	Qty.	Description
28	323-6	4	Screw-HH
29	3253-21	4	Washer-Lock
30	3274-55	8	Screw-HSBH
32	3296-42	3	Nut-Lock, NI
33	3229-11	1	Screw-CARR
35	32144-14	2	Screw-HWH
36	2412-89	1	Clamp
37	87-7660	2	Clamp-Tube
38	321-9	1	Screw-HH



Assemblies include all parts shown in frames.

Crankcase Assembly Briggs and Stratton 303440-1326-E1

Ref	Part No.	Qty.	Description
③⑥12	691684	1	Gasket-Crankcase
⑥17	690752	1	Bearing-Ball
⑥18	808847	1	Cover-Crankcase
③⑥20	805049	1	Seal-Oil
⑥22	692540	1	Screw
①⑥276A	690704	1	Washer-Sealing
③⑥439	692154	1	Seal-O Ring
⑥552	690701	1	Bushing-Crank, Governor
⑥552A	806686	1	Bushing-Crank, Governor
⑥615	691550	1	Retainer-Shaft, Governor
⑥616	806685	1	Crank-Governor
⑥691	690680	1	Seal-Shaft, Governor

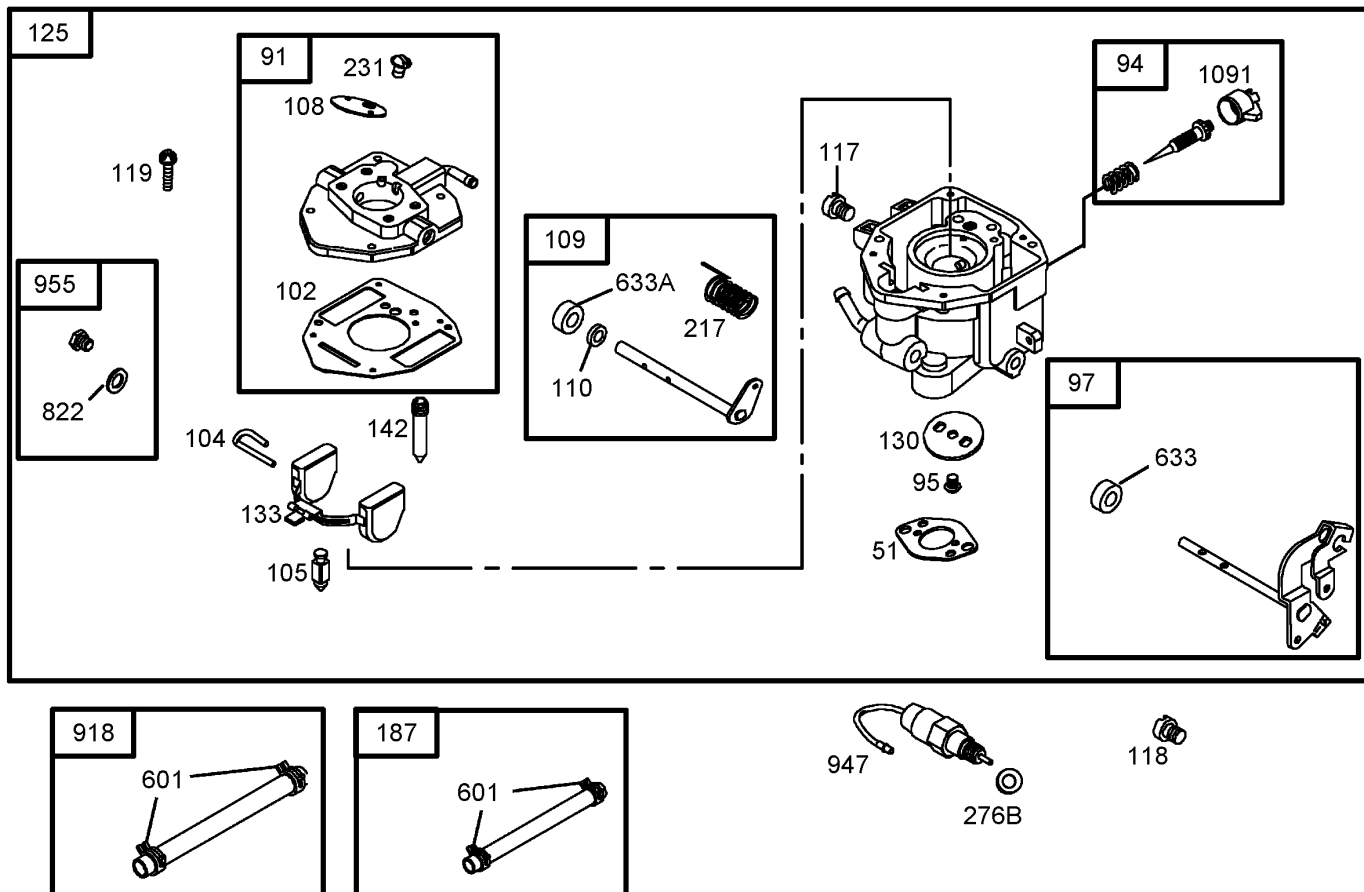


Assemblies include all parts shown in frames.

Cylinder Head Assembly Briggs and Stratton 303440-1326-E1

Ref	Part No.	Qty.	Description
5	809200	1	Head-Cylinder (Cylinder 1)
5A	809201	1	Head-Cylinder (Cylinder 2)
47	806085	1	Gasket-Head, Cylinder
6			
13	692059	1	Screw
33	807681	1	Valve-Exhaust
34	807680	1	Valve-Intake
35	692084	1	Spring-Valve
36	692084	1	Spring-Valve
40	692058	1	Retainer-Valve
42	807683	1	Keeper-Valve
45	690977	1	Valve-Tappet
192	807623	1	Adjuster-Arm, Rocker
276	807085	1	Washer-Sealing
4338	691312	1	Gasket-Dipstick
6			
522	491832	1	Plug-Dipstick / Fill
830	809157	1	Stud-Arm, Rocker
4868	691963	1	Seal-Valve
6			
871	692057	1	Bushing-Guide, Valve
41022	806039	1	Gasket-Cover, Rocker
6			
1023	690758	1	Cover-Valve
1023A	691558	1	Cover-Valve

Ref	Part No.	Qty.	Description
1026	691836	1	Rod-Push
1026	691758	1	Rod-Push
1029	807323	1	Arm-Rocker
1100	690973	1	Pivot-Arm, Rocker
1254	807084	1	Screw

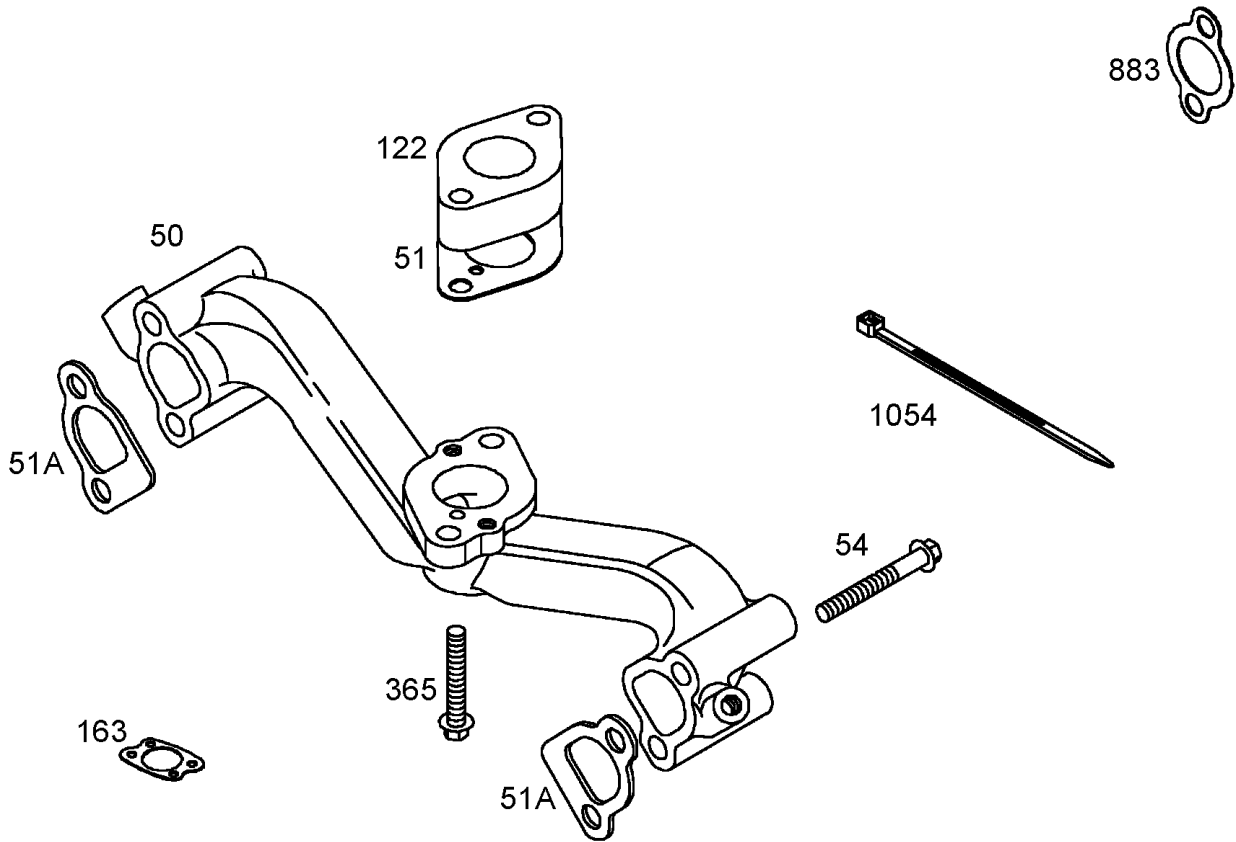


Assemblies include all parts shown in frames.

Carburetor Assembly Briggs and Stratton 303440-1326-E1

Ref	Part No.	Qty.	Description
5 51	691694	1	Gasket-Intake
6			
91	808964	1	Body-Carburetor, Upper
94	808257	1	Idle Mixture Kit
95	690718	1	Screw
97	841498	1	Shaft-Throttle
102	692077	1	Gasket-Body, Carburetor
104	690723	1	Pin-Hinge, Float
105	692078	1	Valve-Needle, Float
108	690719	1	Valve-Choke
109	808962	1	Shaft-Choke
110	806861	1	Washer (Choke Shaft)
117	806859	1	Jet-Main
118	807115	1	Jet-Main (High Altitude)
119	690720	1	Screw
125	841494	1	Carburetor
130	690726	1	Valve-Throttle
133	806961	1	Float-Carburetor
142	806860	1	Nozzle-Carburetor
187	691050	1	Line-Fuel (Cut To Required Length)
217	806862	1	Spring-Return, Choke
231	690718	1	Screw
276B	806137	1	Washer-Sealing

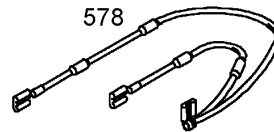
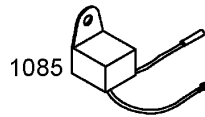
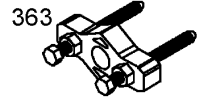
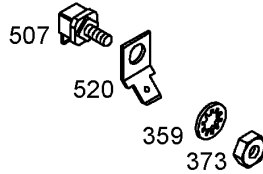
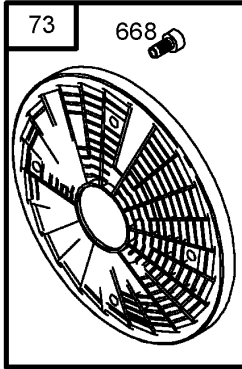
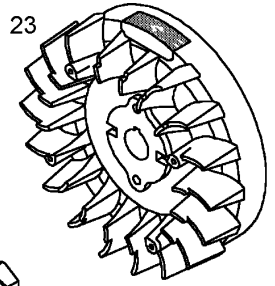
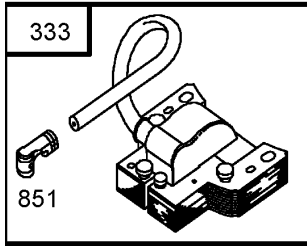
Ref	Part No.	Qty.	Description
601	691038	1	Clamp-Hose
633	806131	1	Seal-Shaft, Choke / Throttle
633A	690722	1	Seal-Shaft, Choke / Throttle
822	690724	1	Seal-O Ring
918	393815	1	Line-Vacuum
947	692094	1	Solenoid-Fuel
955	807723	1	Plug-Carburetor
1091	691516	1	Cap-Limiter



Assemblies include all parts shown in frames.

Intake Manifold Assembly Briggs and Stratton 303440-1326-E1

Ref	Part No.	Qty.	Description				
⑤50	690754	1	Manifold-Intake				
③⑤51	691694	1	Gasket-Intake				
⑥							
③④51A	692035	1	Gasket-Intake				
⑥							
⑤54	690676	1	Screw				
⑥122	690691	1	Spacer-Carburetor				
③⑥163	692081	1	Gasket-Cleaner, Air				
⑥365	690711	1	Screw				
③④883	691613	1	Gasket-Exhaust				
⑥							
⑥1054	280275	1	Tie-Cable				

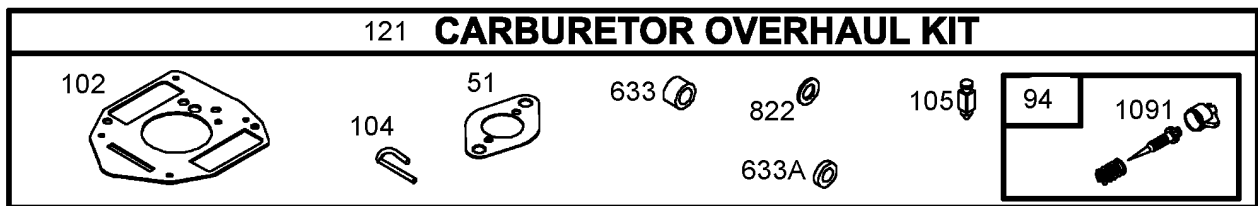
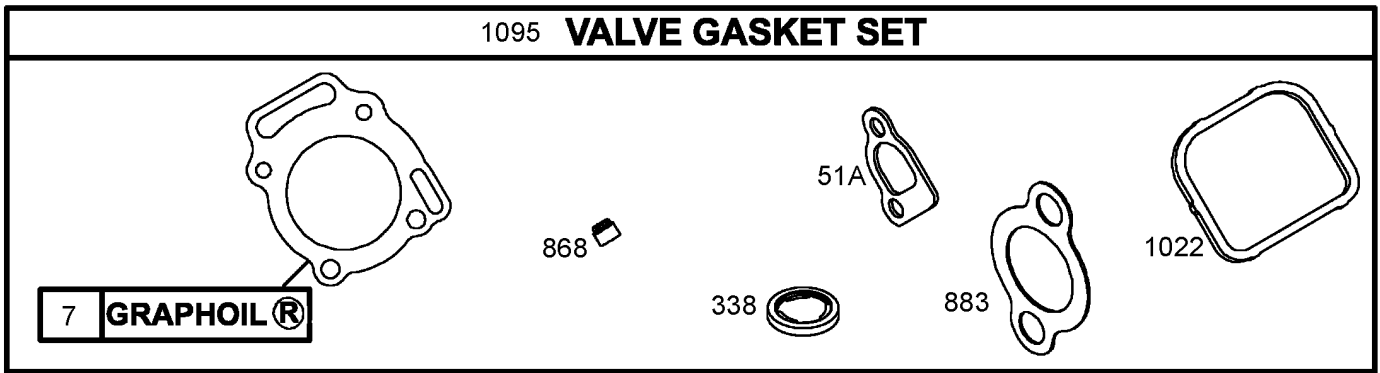


Assemblies include all parts shown in frames.

Flywheel Assembly Briggs and Stratton 303440-1326-E1

Ref	Part No.	Qty.	Description
23	690889	1	Flywheel
37	841309	1	Guard-Flywheel
73	494439	1	Screen-Rotating
74	691647	1	Screw
78	690688	1	Screw
332	690887	1	Nut
333	492341	1	Armature-Magneto
334	692066	1	Screw
359	691077	1	Washer
363	19203	1	Puller-Flywheel
373	691612	1	Nut
507	691972	1	Insulator
520	691084	1	Terminal-Ground
529	690744	1	Grommet
578	692319	1	Wire ASM
668	691500	1	Spacer
729	690586	1	Clip-Wire
851	493880	1	Terminal-Spark Plug
1085	809093	1	Module-Ignition
1231	692067	1	Screw

--	--	--	--



Assemblies include all parts shown in frames.

Carburetor Overhaul Kit Assembly Briggs and Stratton 303440-1326-E1

Ref	Part No.	Qty.	Description
④7 ⑥	806085	1	Gasket-Head, Cylinder
⑤51 ⑥	691694	1	Gasket-Intake
④51A ⑥	692035	1	Gasket-Intake
⑤94	808257	1	Idle Mixture Kit
⑤102 ⑥104	692077	1	Gasket-Body, Carburetor
⑤105 ⑥121	690723	1	Pin-Hinge, Float
⑤105 ⑥121	692078	1	Valve-Needle, Float
⑤121	809023	1	Carburetor Overhaul Kit
④338 ⑥	691312	1	Gasket-Dipstick
⑤633	806131	1	Seal-Shaft, Choke / Throttle
⑤633A	690722	1	Seal-Shaft, Choke / Throttle
⑤822	690724	1	Seal-O Ring
④868 ⑥	691963	1	Seal-Valve
④883 ⑥	691613	1	Gasket-Exhaust
④1022 ⑥	806039	1	Gasket-Cover, Rocker
⑤1091 ⑥1095	691516	1	Cap-Limiter
⑥1095	808392	1	Valve Gasket Set

--	--	--	--

Attachments and Accessories

For 07277 - Workman 2110 Utility Vehicle

Product Name	Model/Part
Stand Alone Windshield Kit	07221
Electric Bed Lift Kit	07259
Rear Lift Kit	07274
Roll-Over-Protection-System	07276
Receiver Hitch Kit	07278
Heavy-Duty Bumper Kit	07282
Stake Side Kit	07290
Cab	07291
Snow Plow-Mid Duty	07292
Folding Windshield Kit	07293
Windshield Kit	07294
Heavy-Duty Brushguard and Bumper Kit	07296
Canopy Kit	07297
Portable Refreshment Center	07298
Clutch Guard ASM	104-6408-03
Brake and Taillights (Rear lights, side reflectors)	104-6697
Signal Lights (Front marker lights / turn signal control)	104-6953
Key Start Kit	107-0330
Vinyl Enclosure	79979
Spark Arrestor (Meets USDA Forest Service Standard 5100-1A)	98-9099
Electric Harness Kit	99-7924

NOTES

NOTES

