



Twister® 1600 Utility Vehicle

Model No. 12004TC - 260000001 and up.

Parts Catalog

Ordering Replacement Parts

To order replacement parts, please supply the part number, the quantity, and the description of each part desired.

Understanding Reference Numbers

Each identified part in an illustration has a reference number. The reference number for a part also appears in the parts list, along with other information about the part.

This catalog uses two special reference number formats, one to indicate parts in a service assembly and another to indicate the quantity of a given part in an illustration.

Service Assembly Reference Numbers

Parts in service assemblies have reference numbers in the form a:b. The a represents the reference number of the entire service assembly and the b represents a sequential number unique to each part within the service assembly.

For example, a wheel assembly might be identified by reference number 6, the tire by 6:1, the valve by 6:2, and the wheel by 6:3. When you order the assembly identified by reference number 6, you receive all parts identified by reference numbers 6:1, 6:2, and 6:3. However, you may also order any part individually. Reference numbers of this type appear in illustrations and in part lists.

Reference Numbers Indicating Quantity

In an illustration, if a reference number indicates more than one part, the reference number has the form nX y. The n represents the quantity of the part, the X is the multiplication symbol, and the y represents the reference number.

For example, in an illustration, the reference number 2X 37 means that two of the parts identified by reference number 37 are indicated.

Contents

Description	Page	Description	Page
Pedal Assembly	3	Cylinder, Oil Filter and Dipstick Assembly	
Shifter Assembly	4	Briggs and Stratton 303447-1319-E1	27
Frame Assembly	5	Crankcase Assembly Briggs and Stratton	
Seat Base Assembly	6	303447-1319-E1	28
Front Tire and Steering Assembly	7	Cylinder Head and Cover Assembly Briggs	
Rear Tire and Transaxle Assembly	8	and Stratton 303447-1319-E1	29
Driven Clutch Assembly No. 99-7104	9	Crankshaft, Piston and Oil Pump Assembly	
Transaxle Assembly No. 107-0360	10	Briggs and Stratton 303447-1319-E1	30
Left Hand Brake Assembly No. 104-6807	12	Carburetor and Fuel Pump Assembly Briggs	
Right Hand Brake Assembly No. 104-6806	13	and Stratton 303447-1319-E1	31
Drivetrain Mounting, Battery and Air Cleaner		Manifold Intake and Governor Control	
Assembly	14	Assembly Briggs and Stratton 303447-1319-E1	32
Air Cleaner Assembly No. 99-7120	15	Alternator Assembly Briggs and Stratton	
Upper Steering Assembly	16	303447-1319-E1	33
Steering Gearbox Assembly No. 99-7660	17	Blower Housing and Cover Assembly Briggs	
Box and Tailgate Installation Assembly	18	and Stratton 303447-1319-E1	34
Box and Tailgate Assembly	19	Starter Motor Assembly Briggs and Stratton	
Engine and Clutch Assembly	20	303447-1319-E1	35
Drive Clutch Assembly No. 99-7939	21	Replacement Starter Motor Assembly Briggs	
Hood and Fender Assembly	22	and Stratton 303447-1319-E1	36
Hydraulic Brake Assembly	23	Engine Gasket Set Briggs and Stratton	
Left Hand Caliper Assembly No. 107-0361	24	303447-1319-E1	37
Right Hand Caliper Assembly No. 107-0362	25	Valve Gasket Set and Carburetor Overhaul Kit	
Master Cylinder Assembly No. 104-6782	26	Briggs and Stratton 303447-1319-E1	38

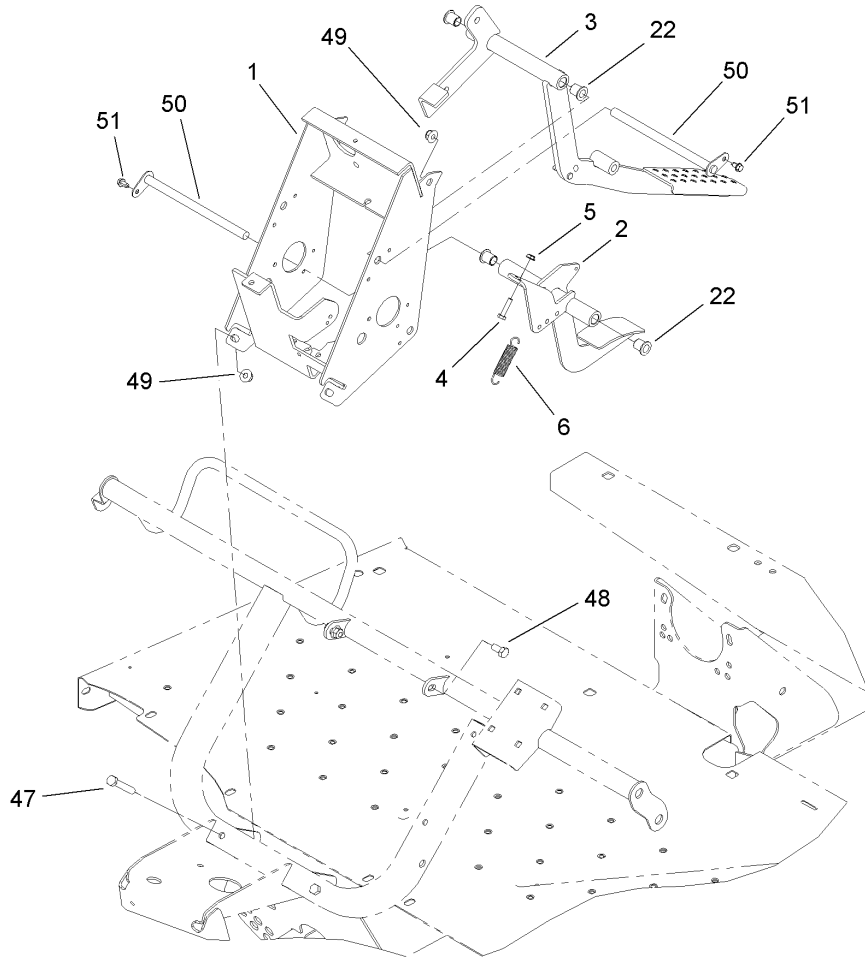
Part Description Abbreviations

Part descriptions in this catalog may include the following abbreviations.

AR. as required	INC. incorporated
ASM. assembly	LH. left hand
BBC. blade brake clutch	NI. nylon insert
CARR. carriage	NPTF. national pipe thread fine
DEG. degrees	PFH. phillips flat head
EXT. external	PPH. phillips pan head
FH. flat head	PPHTF. phillips pan head thread forming
GA. gauge	PRH. phillips round head
HF. hex flange	PTH. phillips truss head
HH. hex head	PTO. power-take-off
HHF. hex head flange	RH. right hand
HHFTF. hex head flange thread forming	ROPS. roll-over-protection-system
HJ. hex jam	SFH. slotted fillister head
HLH. hex lag head	SHH. slotted hex head
HOC. height-of-cut	SHWH. slotted hex washer head
HSBH. hex socket button head	SPH. slotted pan head
HSFH. hex socket flat head	SQH. square head
HSH. hex socket head	SRH. slotted round head
HWH. hex washer head	STD. standard
HWHTF. hex washer head thread forming	TAP. self tapping
HYD. hydraulic	TTH. torx truss head

Footnotes

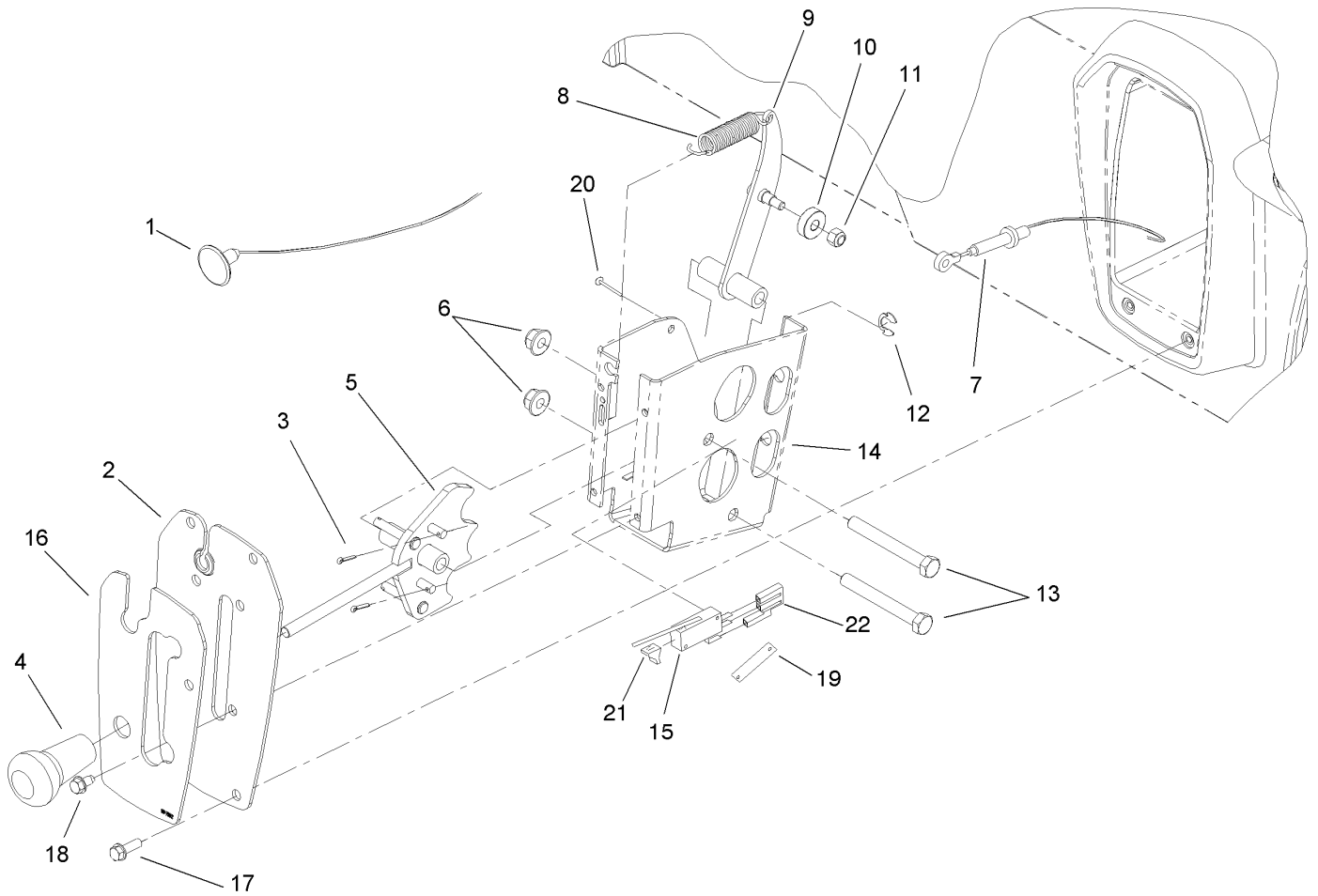
- | | |
|---|---|
| ❶ Not illustrated | ❷ Not serviced separately |
| ❸ Included in Engine Gasket Set-Ref. 358. | ❹ Included in Valve Gasket Set-Ref. 1095. |
| ❺ Included in Carburetor Overhaul Kit-Ref. 121. | ❻ Obtain from your local Briggs & Stratton dealer |



Pedal Assembly

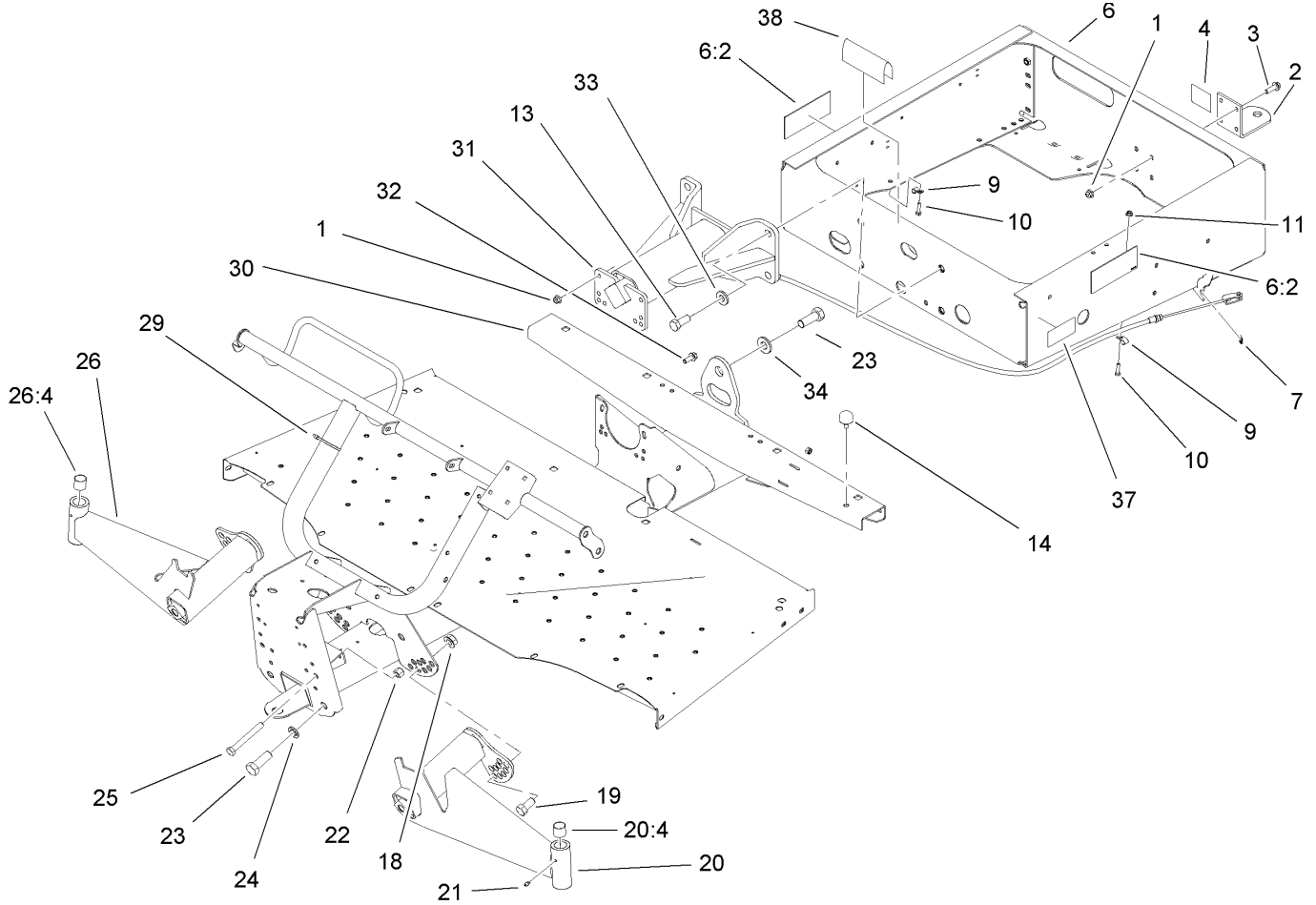
Ref	Part No.	Qty.	Description
1	110-2605-03	1	Frame-Pedals
2	110-2607-03	1	Pedal-Throttle
3	104-7170-03	1	Pedal-Brake
4	321-7	1	Screw-HH
5	32149-2	1	Nut-Keps
6	104-6415	1	Spring-Return, Pedal
22	256-155	4	Bushing-Flange
47	323-11	2	Screw-HH
48	323-4	2	Screw-HH
49	104-8301	4	Nut-Flange, NI
50	104-7164	2	Pivot-Pedals
51	12-3270	2	Screw

--	--	--	--



Shifter Assembly

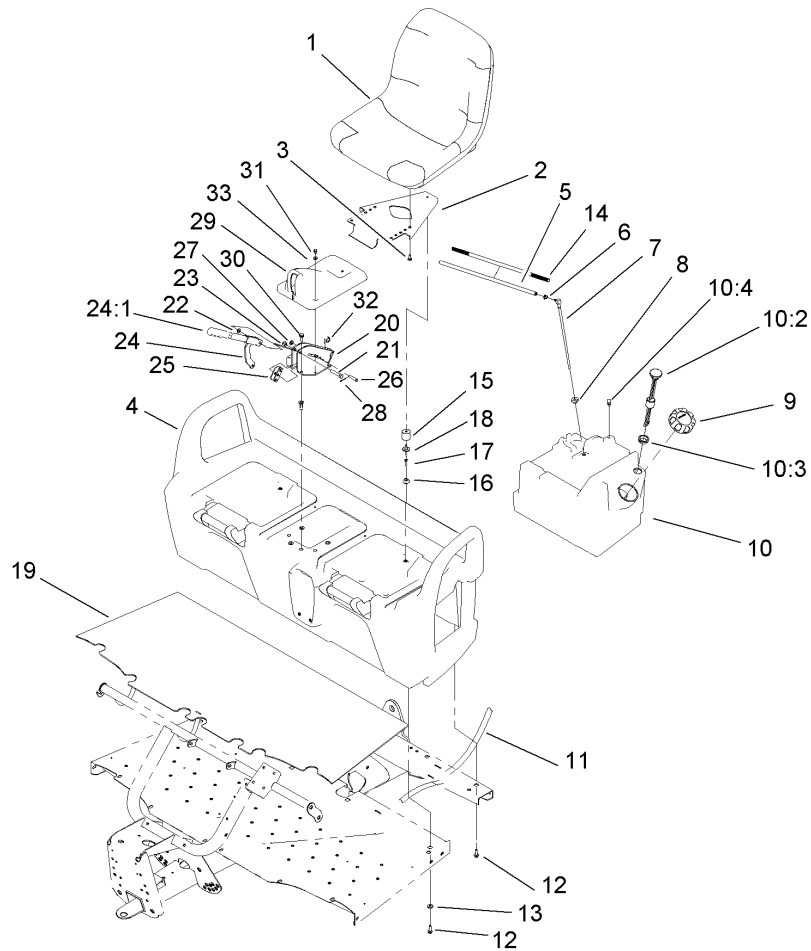
Ref	Part No.	Qty.	Description
1	99-7111	1	Cable-Choke
2	99-7887-03	1	Plate-Shifter
3	3272-5	2	Pin-Cotter
4	99-7981	1	Knob-Grip, Soft
5	108-3139	1	Lever-Shift
6	104-8301	2	Nut-Flange, NI
7	104-6896	2	Cable-Shift
8	104-6415	1	Spring-Return, Pedal
9	108-3138	1	Arm-Detent
10	251-307	1	Bearing-Ball
11	3296-42	1	Nut-Lock, NI
12	32151-101	2	E-Ring
13	323-14	2	Screw-HH
14	108-3141-03	1	Bracket-Shift
15	88-9932	1	Switch-Micro
16	99-7952	1	Decal-Shifter
17	32105-15	4	Screw
18	12-3270	4	Screw
19	3290-354	1	Nut-Speed
20	3290-313	2	Screw-Ph
21	93-3240	1	Plunger-Seal
22	107-0725	1	Harness-Jumper, Shift



Frame Assembly

Ref	Part No.	Qty.	Description
1	104-8301	8	Nut-Flange, NI
2	99-7654-03	1	Hitch-Duty, Light
3	3234-24	4	Screw-HHF
4	99-7350	1	Decal-Information
6	108-3137	1	Rear Frame ASM
6:2	99-7345	2	Decal-Warning
7	32120-47	2	Ring-Retaining, External
9	2412-89	2	Clamp
10	321-6	2	Screw-HH
11	32128-33	2	Nut-HF
13	327-4	4	Screw-HH
14	87-2440	1	Bumper-Rubber
18	32128-54	2	Nut-HF
19	3214-2	2	Screw-HH
20	99-7685	1	LH A-Arm ASM
20:4	3-0348	2	Bushing
21	302-5	2	Fitting-Grease
22	3296-23	2	Nut-Lock, NI
23	328-24	5	Screw-HH
24	3254-7	4	Washer-Lock, Int
25	325-17	2	Screw-HH
26	99-7684	1	RH A-Arm ASM
26:4	3-0348	2	Bushing
29	3290-379	12	Tie-Cable

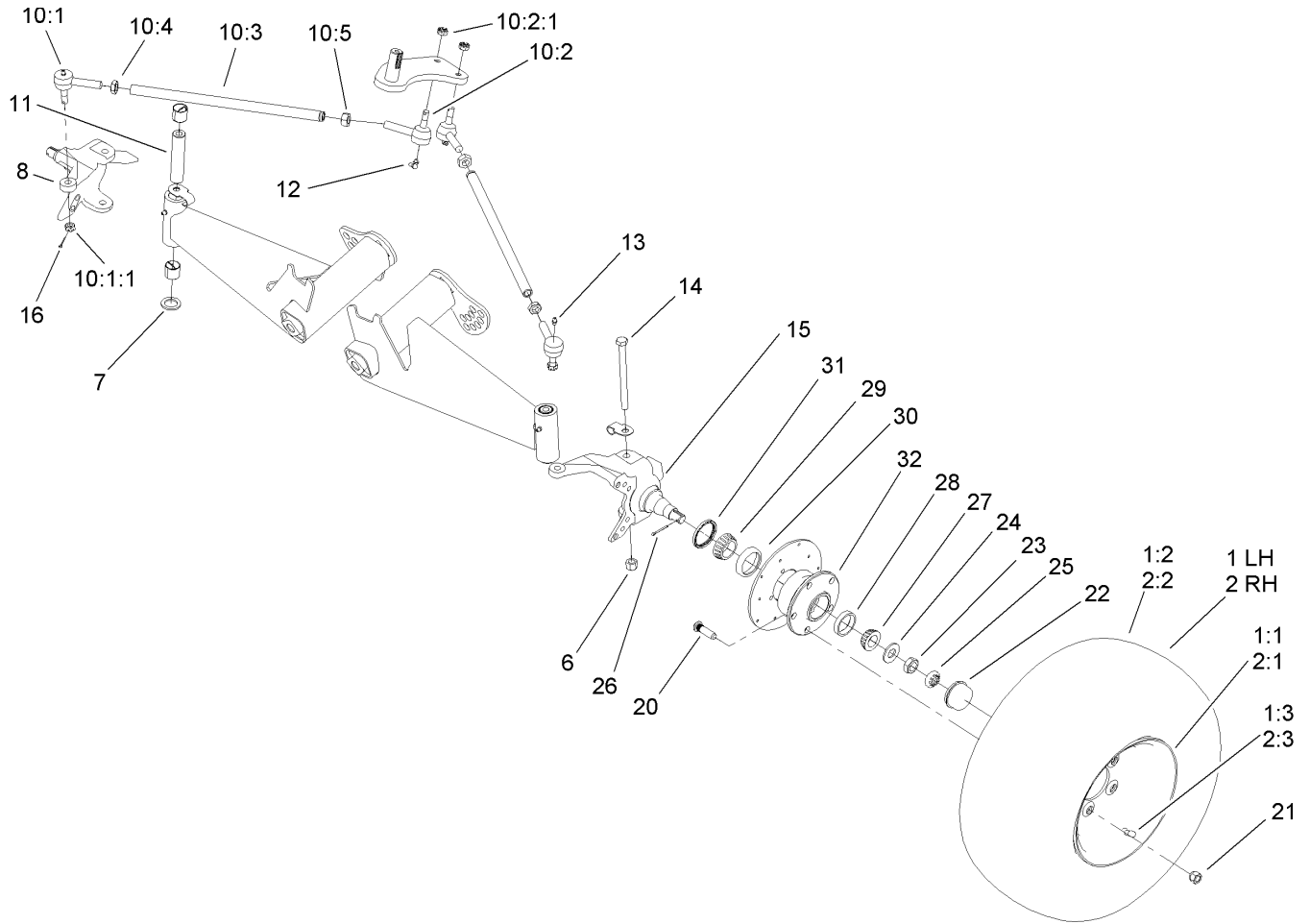
Ref	Part No.	Qty.	Description
30	104-7197-03	1	Front Frame ASM
31	99-7700	1	Pivot Yoke ASM
32	3234-11	4	Screw-HHF
33	99-7667	4	Washer-Flat
34	87-3060	1	Washer-Hardened
37	104-6592	1	Decal-Capacity (Ce)
38	95-5686	1	Trim



Seat Base Assembly

Ref	Part No.	Qty.	Description
1	106-6672	2	Seat
2	99-7829	2	Bracket-Seat
3	33114-016	8	Screw-HH
4	104-6847	1	Seat Base ASM
5	108-4582	1	Hose-Fuel
6	2412-98	1	Clamp
7	99-7264	1	Pipe-Stand
8	46-6560	1	Bushing
9	95-4192	1	Unleaded Gas Cap ASM
10	99-7323	1	Fuel Tank ASM
10:2	99-7262	1	Gauge-Fuel
10:3	95-8972	1	Grommet
10:4	99-7267	1	Vent-Air
11	3339-175	1	Strapping-Web, 48 Inch
12	3234-17	8	Screw-HHF
13	88-7200	8	Washer-Flat
14	99-7129	1	Conduit-Line, Fuel
15	99-7830	2	Rubber Receptical ASM
16	99-7833	2	Post-Holding
17	32108-5	2	Screw-FH
18	3290-412	2	Rivet
19	104-6590	1	Mat-Floor
20	104-6844-03	1	Support-Brake, Park
21	323-10	1	Screw-HH

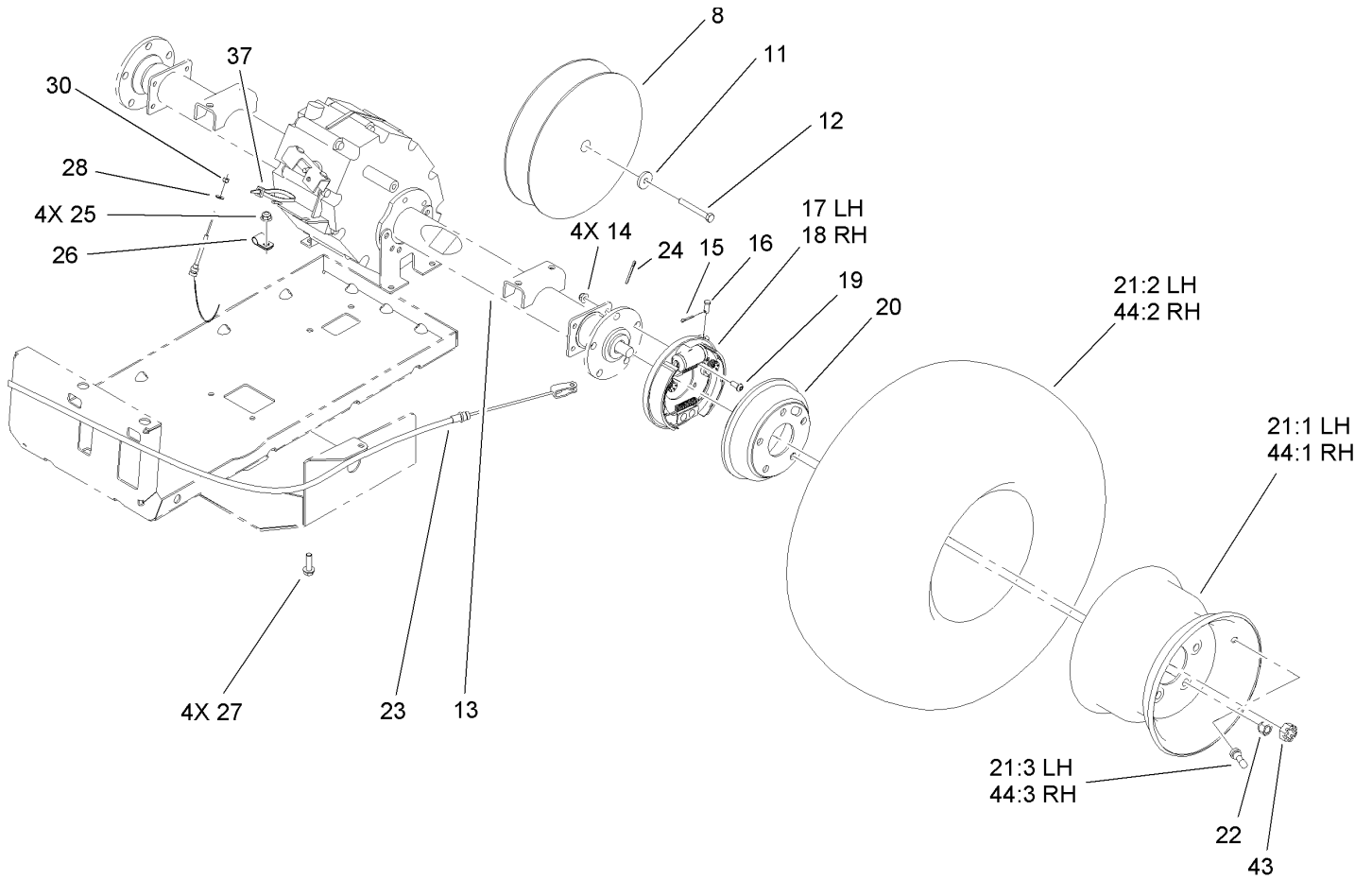
Ref	Part No.	Qty.	Description
22	3290-477	1	Washer-Curved
23	3296-39	1	Nut-Lock, NI
24	104-6842	1	Lever-Brake, Park
24:1	106-7972	1	Grip-Handle
25	87-3480	1	Bracket-Equalizer, Cable
26	94-3829	1	Pin-Clevis
27	3256-23	1	Washer-Flat
28	3272-6	1	Pin-Cotter
29	104-7014	1	Cover-Brake, Parking
30	3234-17	4	Screw-HHF
31	12-3270	2	Screw
32	32120-47	2	Ring-Retaining, External
33	3256-1	2	Washer-Flat



Front Tire and Steering Assembly

Ref	Part No.	Qty.	Description
②1		1	Tire And Wheel ASM
1:1	104-6889	1	Wheel-5 Bolt
1:2	104-7062	1	Tire
1:3	232-27	1	Stem-Valve
②2		1	Tire And Wheel ASM
2:1	104-6889	1	Wheel-5 Bolt
2:2	104-7062	1	Tire
2:3	232-27	1	Stem-Valve
6	3296-23	2	Nut-Lock, NI
7	256-115	2	Washer-Thrust
8	104-6877	1	Spindle-Disc, RH
②10		2	Rod-Tie
10:1	112772-03	1	Joint-Ball, RH
10:1:1	915031	1	Nut
10:2	112771-03	1	Joint-Ball, LH
10:2:1	915031	1	Nut
10:3	99-7600-03	1	Rod-Tie
10:4	3220-11	1	Nut-Jam
10:5	3218-21	1	Nut-Jam
11	99-7499	2	Sleeve-Kingpin
12	302-60	2	Fitting-Grease, 90 DEG
13	302-5	2	Fitting-Grease
14	325-20	2	Screw-HH
15	104-6876	1	Spindle-Disc, LH

Ref	Part No.	Qty.	Description
16	3272-7	4	Pin-Cotter
20	10-6830	10	Stud-Type, Drive
21	242-50	10	Nut-Lug
22	241-119	2	Cap-Dust
23	3220-7	2	Nut-Jam
24	93-0309	2	Washer-Tab
25	93-0307	2	Nut-Lock, Retainer
26	3272-12	2	Pin-Cotter
27	254-94	2	Bearing-Cone, Tapered
28	254-72	2	Bearing-Cup, Tapered
29	254-106	2	Cone-Bearing, Tapered
30	254-107	2	Cup-Bearing, Tapered
31	108-7019	2	Seal-Shaft
32	104-6809	2	Hub

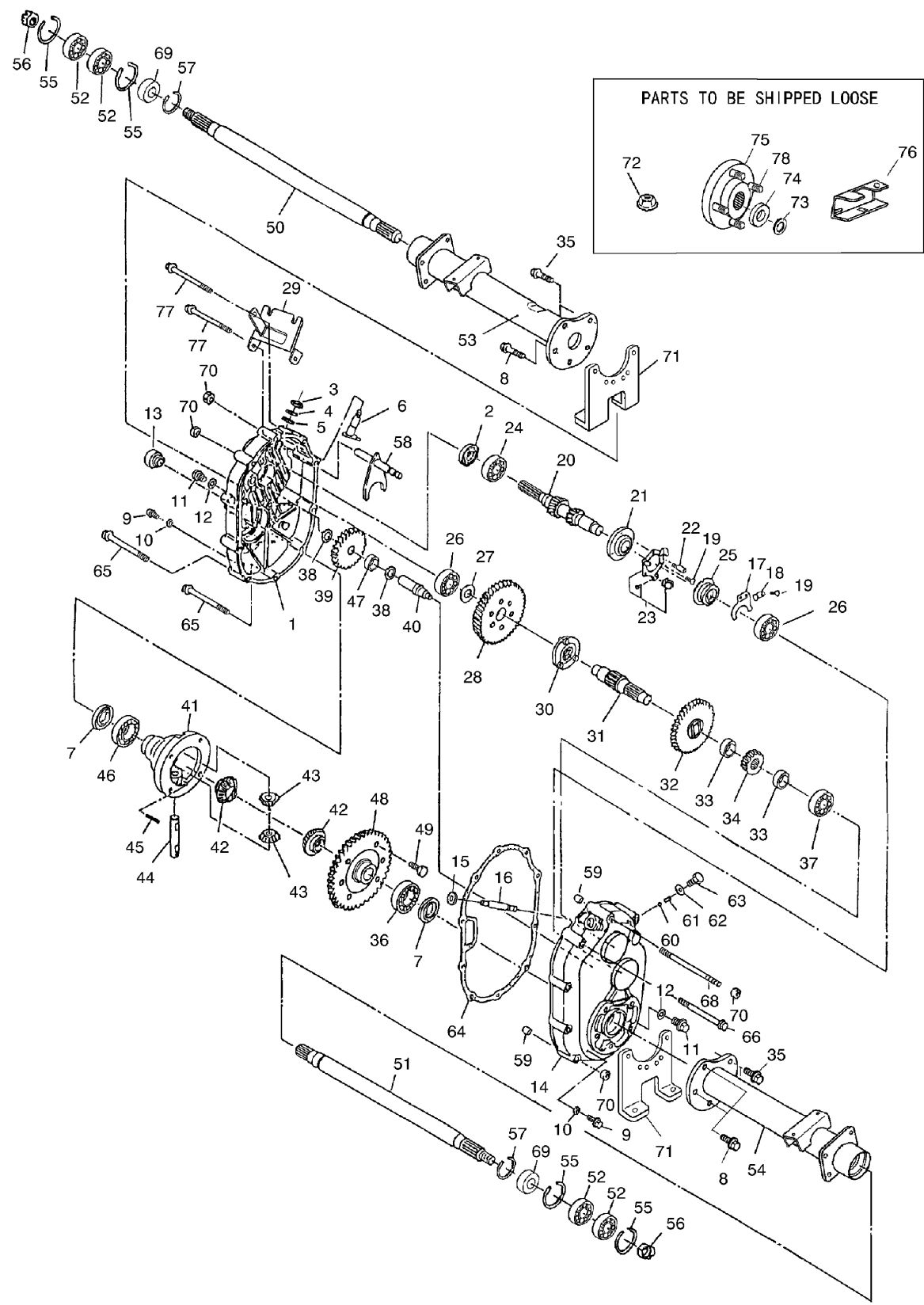


Rear Tire and Transaxle Assembly

Ref	Part No.	Qty.	Description
8	99-7104	1	Clutch-Driven
11	104-6563	1	Washer-Stepped
12	104-6564	1	Screw-HH
13	104-6898	1	Transaxle
14	104-8300	8	Nut-Flange, NI
15	3272-10	2	Pin-Cotter
16	283-62	2	Pin-Clevis
17	104-6807	1	LH Brake ASM
18	104-6806	1	RH Brake ASM
19	3274-55	8	Screw-HSBH
20	104-6500	2	Drum-Brake
21		1	Tire And Wheel ASM
21:1	104-6889	1	Wheel-5 Bolt
21:2	104-7061	1	Tire
21:3	232-27	1	Stem-Valve
22	242-50	10	Nut-Lug
23	104-6846	2	Cable-Brake, Park
24	3272-42	2	Pin-Cotter
25	104-8301	4	Nut-Flange, NI
26	2412-10	1	R-Clamp
27	3234-24	4	Screw-HHF
28	3256-49	2	Washer-Flat
30	3296-2	2	Nut-Lock
37	3290-378	1	Tie-Cable

Ref	Part No.	Qty.	Description
43	104-1656	2	Nut-Castle
44		1	Tire And Wheel ASM
44:1	104-6889	1	Wheel-5 Bolt
44:2	104-7061	1	Tire
44:3	232-27	1	Stem-Valve

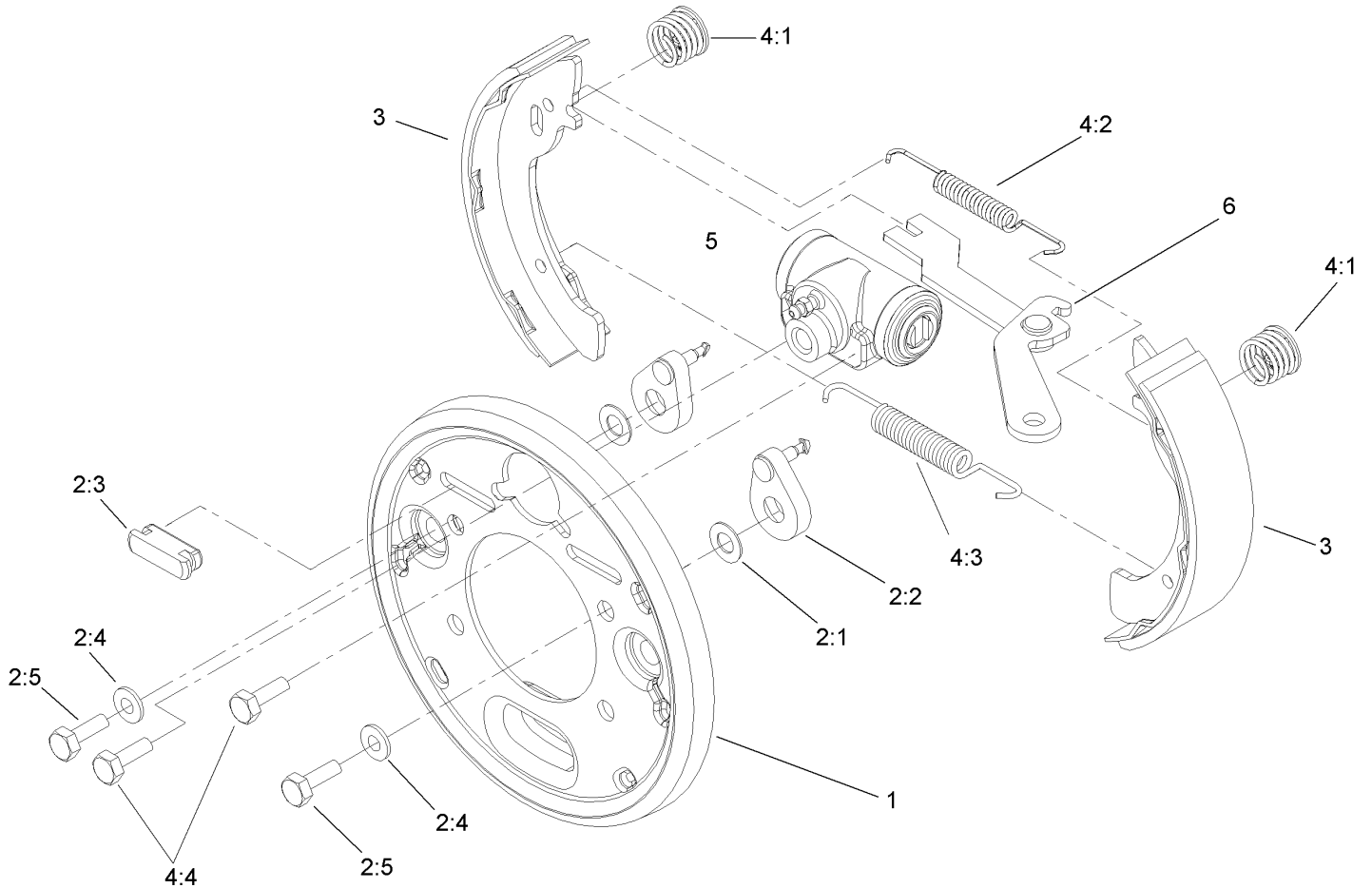
Transaxle Assembly No. 107-0360



Transaxle Assembly No. 107-0360

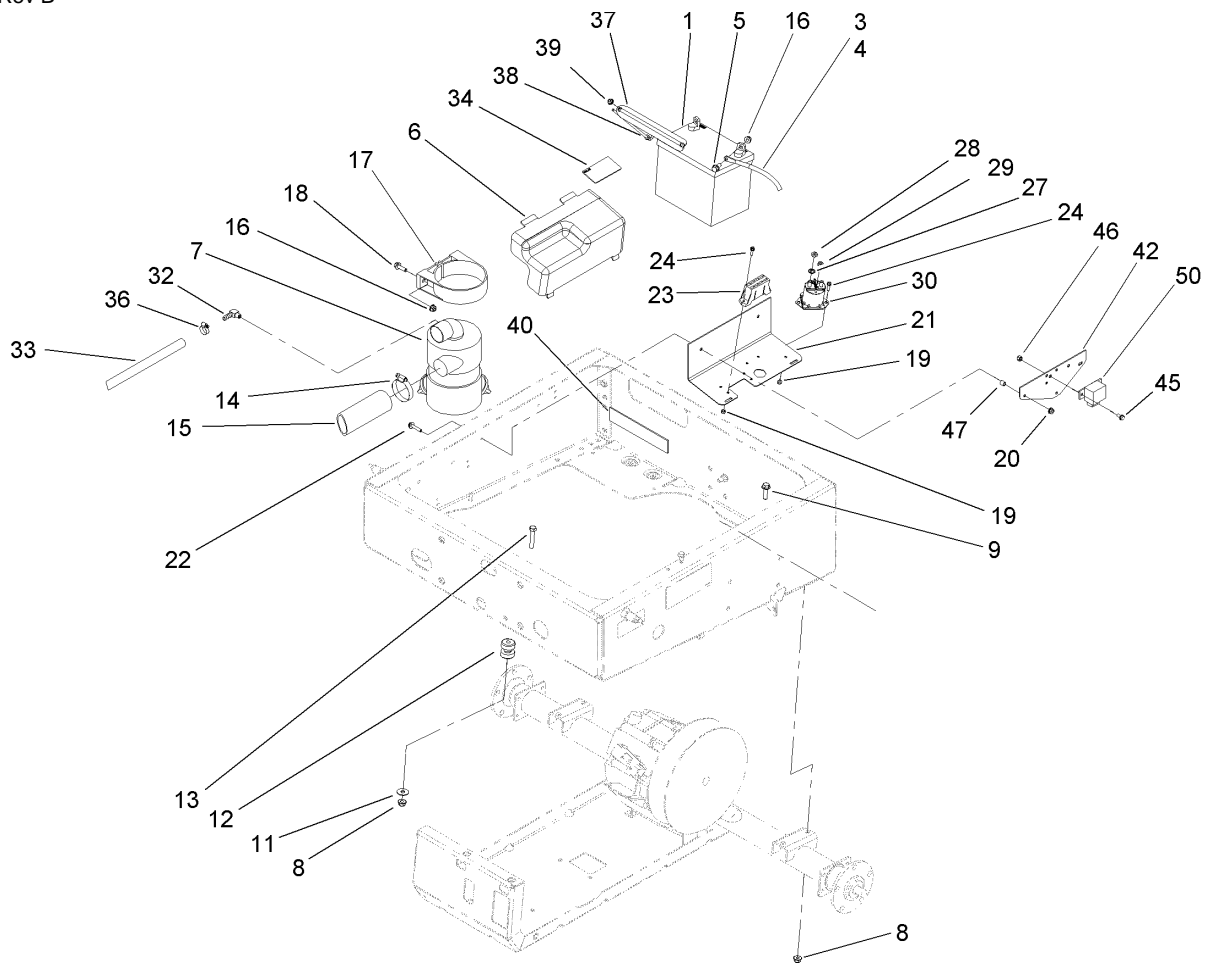
Ref	Part No.	Qty.	Description
1	104-1601	1	Case-LH, Complete
2	104-1602	1	Seal-Oil
3	104-1603	1	Seal-Oil
4	104-1604	1	Ring-Snap
5	104-1605	1	Spacer
6	104-1606	1	Shaft-Selector
7	104-1607	2	Seal-Oil
8	104-1608	4	Bolt-Flange
9	104-1609	2	Plug-Check, Oil
10	104-1610	2	Gasket
11	104-1611	2	Plug-Drain, Oil
12	104-1612	2	Gasket
13	104-1613	1	Plug-Filler, Oil
14	104-1614	1	Case-Complete, RH
15	104-1615	1	Seal-Oil
16	104-1616	1	Shaft-Governor
17	104-1617	1	Fork-Governor
18	104-1618	1	Stopper
19	104-1619	4	Screw And Washer ASM
20	104-7020	1	Shaft-Input, Complete
21	104-1621	1	Base-Governor
22	104-1622	1	Pin-Lock
23	104-1623	1	Unit-Plate, Governor
24	104-1624	1	Bearing-Ball
25	104-1625	1	Sleeve-Governor
26	104-1626	2	Bearing-Ball
27	104-1627	1	Spacer
28	104-1628	1	Gear
29	104-1629	1	Bracket-Wire, Change
30	104-1630	1	Clutch-Pin
31	104-1631	1	Shaft-Center
32	104-1632	1	Gear-47
33	104-1633	2	Collar
34	104-1634	1	Gear
35	104-1635	6	Bolt-Flange
36	104-1636	1	Bearing-Ball
37	104-1637	1	Bearing-Ball
38	104-1638	2	Spacer
39	104-1639	1	Gear-34
40	104-1640	1	Shaft-Counter
41	104-1641	1	Case-Differential
42	104-1642	2	Gear-Side, Differential
43	104-1643	2	Pinion-Differential
44	104-1644	1	Shaft-Differential
45	104-1645	1	Pin
46	104-1646	1	Bearing-Ball
47	104-1647	1	Bearing-Needle
48	104-1648	1	Gear-62
49	104-1649	6	Bolt
50	104-1650	1	Shaft-Axle, LH
51	104-1651	1	Shaft-Axle, RH
52	104-1652	4	Bearing-Ball

Ref	Part No.	Qty.	Description
53	104-1653	1	Case-Axle, LH
54	104-1654	1	Case-Axle, RH
55	104-1655	4	Ring-Snap
56	104-1656	2	Nut-Castle
57	104-1657	2	Ring-Snap
58	104-6870	1	Shaft-Shift, Complete
59	104-1659	2	Knock-Pipe
60	104-1660	1	Ball-Steel
61	104-1661	1	Spring
62	104-1662	1	Gasket
63	104-1663	1	Bolt
64	104-1664	1	Gasket
65	104-1665	6	Bolt-Flange
66	104-1666	1	Bolt-Flange
68	104-6866	1	Bolt
69	104-6867	2	Collar
70	33004-00	11	Nut-HF
71	104-1671	2	Bracket-Axle
72	104-1672	1	Nut-Lock
73	104-1673	2	Washer-Spring
74	104-1674	2	Washer
75	104-1675	2	Hub
76	104-6860	1	Lever-Select
77	104-6869	2	Bolt-Flange
78	104-8649	10	Stud



Right Hand Brake Assembly No. 104-6806

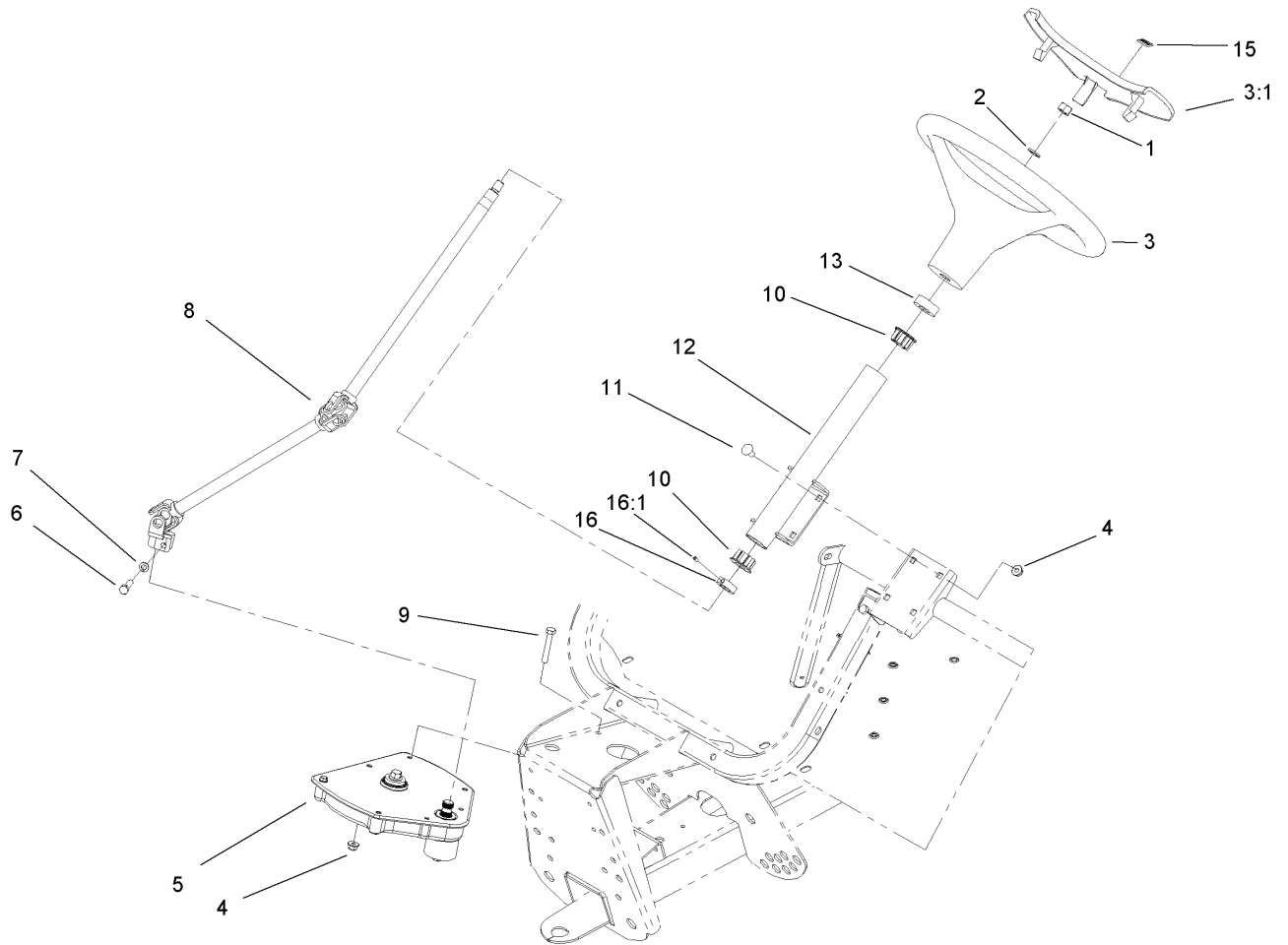
Ref	Part No.	Qty.	Description
1	100-8586	1	Backing Plate ASM
2	104-6820	1	Adjuster Kit
2:1	100-8585	2	Washer-Bellville
2:2	100-8588	2	Adjuster Lever ASM
2:3	100-8584	2	Cover-Dust
2:4		2	Screw
2:5		2	Bolt
3	104-6818	4	Shoe And Lining Kit
4	104-6819	1	Hardware Kit
4:1	100-8583	2	Shoe Hold Down Spring ASM
4:2	100-8581	2	Spring-Upper
4:3	100-8582	2	Spring-Lower
4:4		2	Bolt & Washer
5	104-6824	1	Wheel Cylinder ASM
6	104-6826	1	RH Park Brake Lever ASM



Drivetrain Mounting, Battery and Air Cleaner Assembly

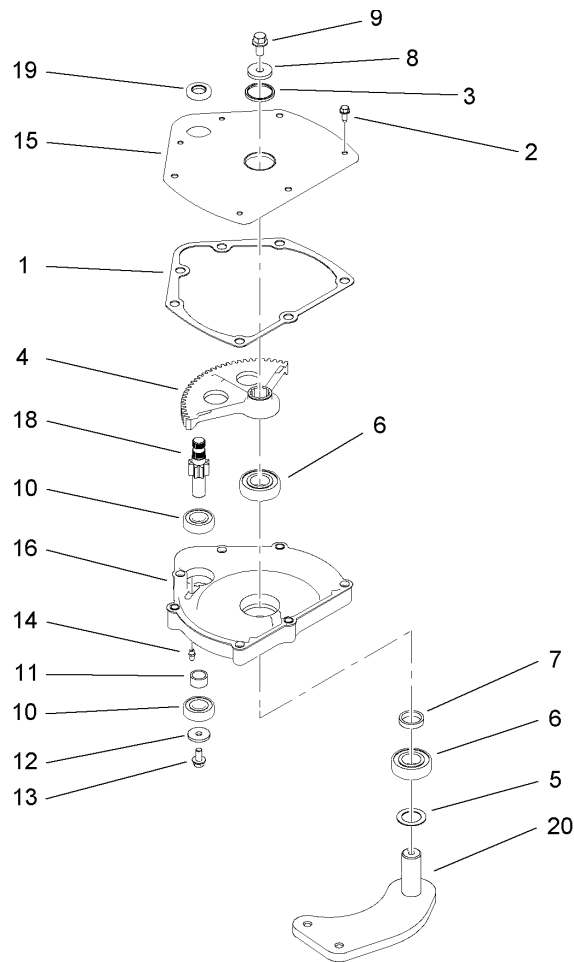
Ref	Part No.	Qty.	Description
1	104-8162	1	Battery
3	99-7428	1	Cable-Negative
4	99-7404	1	Cable-Positive
5	3234-5	2	Screw-HHF
6	99-7325	1	Cover-Electrical
7	99-7120	1	Filter-Air
8	104-8301	6	Nut-Flange, NI
9	3234-24	4	Screw-HHF
11	3256-35	2	Washer-Flat
12	95-2596	2	Mount-Iso
13	323-10	2	Screw-HH
14	2412-130	1	Clamp-Hose
15	104-6528	1	Hose-Intake
16	104-8300	4	Nut-Flange, NI
17	95-5806	1	Bracket-Mounting
18	3234-17	2	Screw-HHF
19	3296-2	4	Nut-Lock
20	32128-32	2	Nut-HHF
21	99-7051-03	1	Mount-Component
22	3234-21	2	Screw-Cap
23	107-0673	1	Harness-Wire, Main
24	32105-13	4	Screw-SHH
27	3255-8	2	Washer-Lock
28	3218-2	2	Nut-Jam

Ref	Part No.	Qty.	Description
29	32149-8	2	Nut-Keps
30	28-4210	1	Solenoid
32	99-7230	1	Fitting-90 DEG
33	99-7842	1	Hose-Breather
34	99-7958	1	Decal-Information
36	2412-36	2	Clamp-Hose
37	92-5018-03	1	Clamp-Battery
38	95-4042	2	Hook-Retain, Battery
39	104-7201	2	Nut-HF
40	104-7102	1	Pad-Battery
42	99-7370-03	1	Bracket-Ignition
45	3234-13	2	Screw-HHF
46	3296-42	2	Nut-Lock, NI
47	68-0610	2	Spacer
50	66-8800	1	Relay



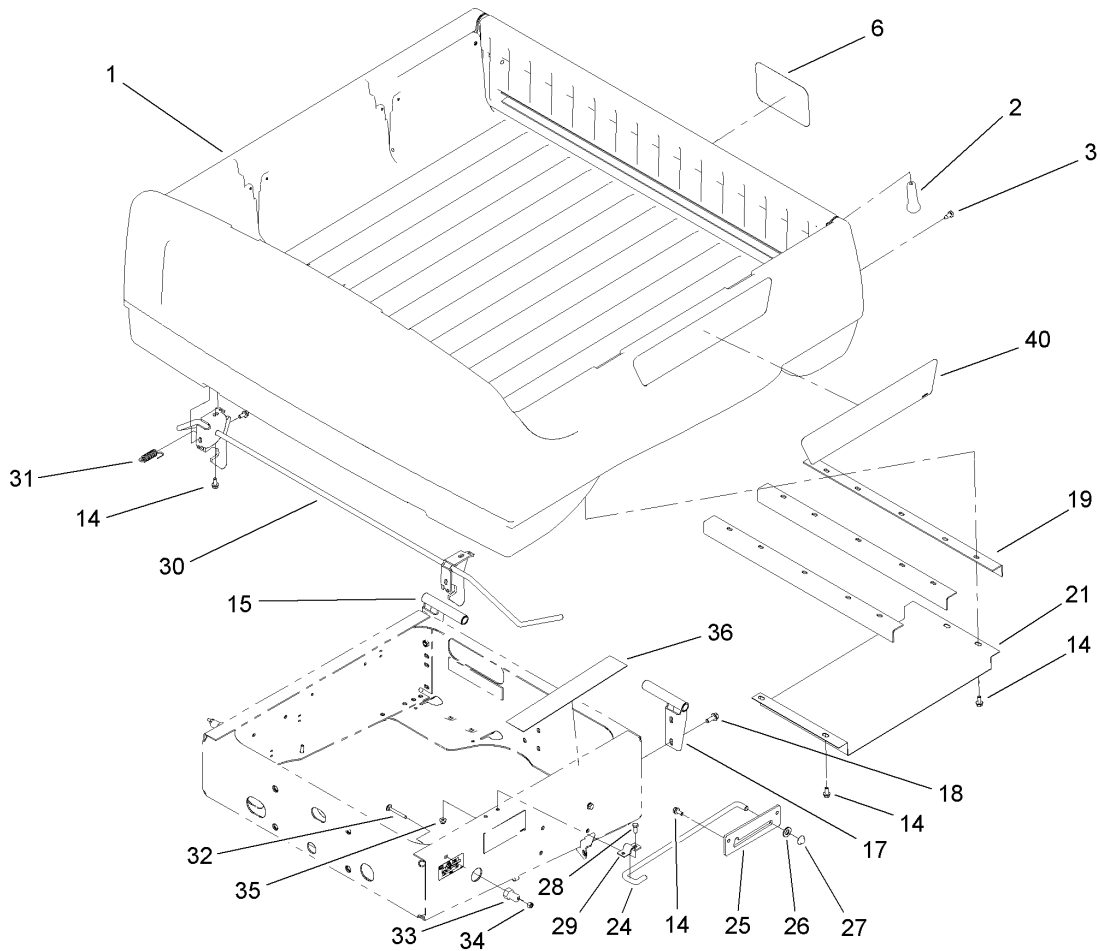
Upper Steering Assembly

Ref	Part No.	Qty.	Description			
1	3277-1	1	Nut-Hex			
2	48-8070	1	Washer-Lock			
3	98-1471	1	Wheel-Steering			
3:1	98-1468	1	Cover-Wheel, Steering			
4	104-8300	7	Nut-Flange, NI			
5	99-7660	1	Steering Gearbox ASM			
6	48-7730	1	Screw-HH			
7	3253-4	1	Washer-Lock			
8	99-7653	1	Shaft-Steering			
9	322-10	3	Screw-HH			
10	93-1146	2	Bushing-Upper, Steering			
11	3230-1	4	Bolt-CARR			
12	99-7651-03	1	Column-Steering			
13	21-9260	1	Cover-Dust			
15	98-1459	1	Decal			
16	111383	1	Collar			
16:1	3245-32	1	Screw-HSH			



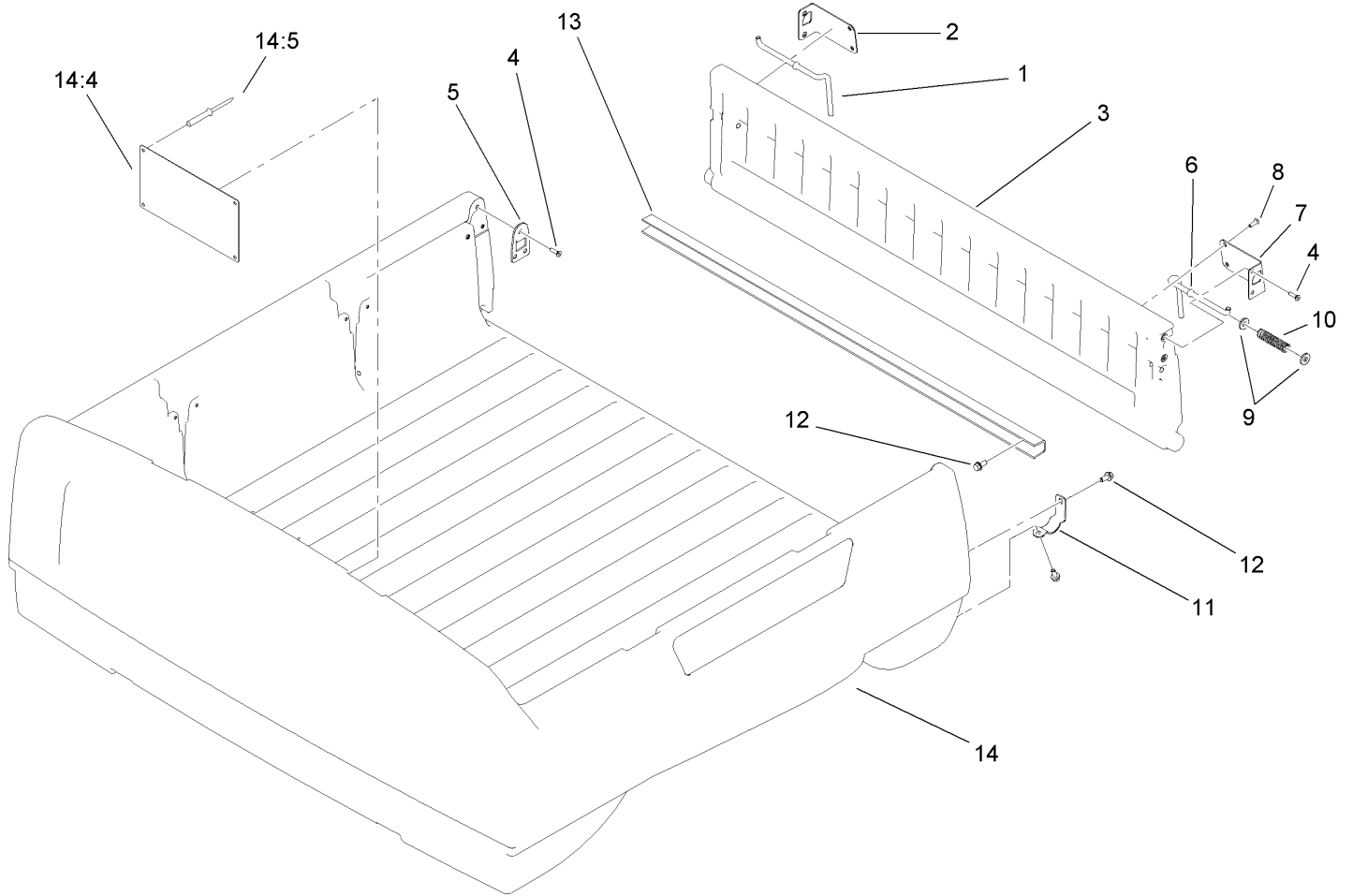
Steering Gearbox Assembly No. 99-7660

Ref	Part No.	Qty.	Description
1	94-2135	1	Gasket
2	32144-10	4	Screw-HWH
3	103118	1	Seal
4	99-7843	1	Sector-Gear
5	3256-42	1	Washer-Flat
6	251-82	2	Bearing-Ball
7	94-2218	1	Spacer-Shaft, Output
8	104-6563	1	Washer-Stepped
9	104-7156	1	Screw-HHF
10	38-7820	2	Bearing-Ball
11	94-2217	1	Spacer-Shaft, Input
12	1-613235	1	Washer
13	98-3498	1	Screw-HH
14	302-5	1	Fitting-Grease
15	99-7656-03	1	Cover-Housing, Steering
16	99-7658	1	Housing-Steering
18	99-7650	1	Gear-Pinion
19	99-7657	1	Seal-Oil
20	99-7601-03	1	Arm-Pitman



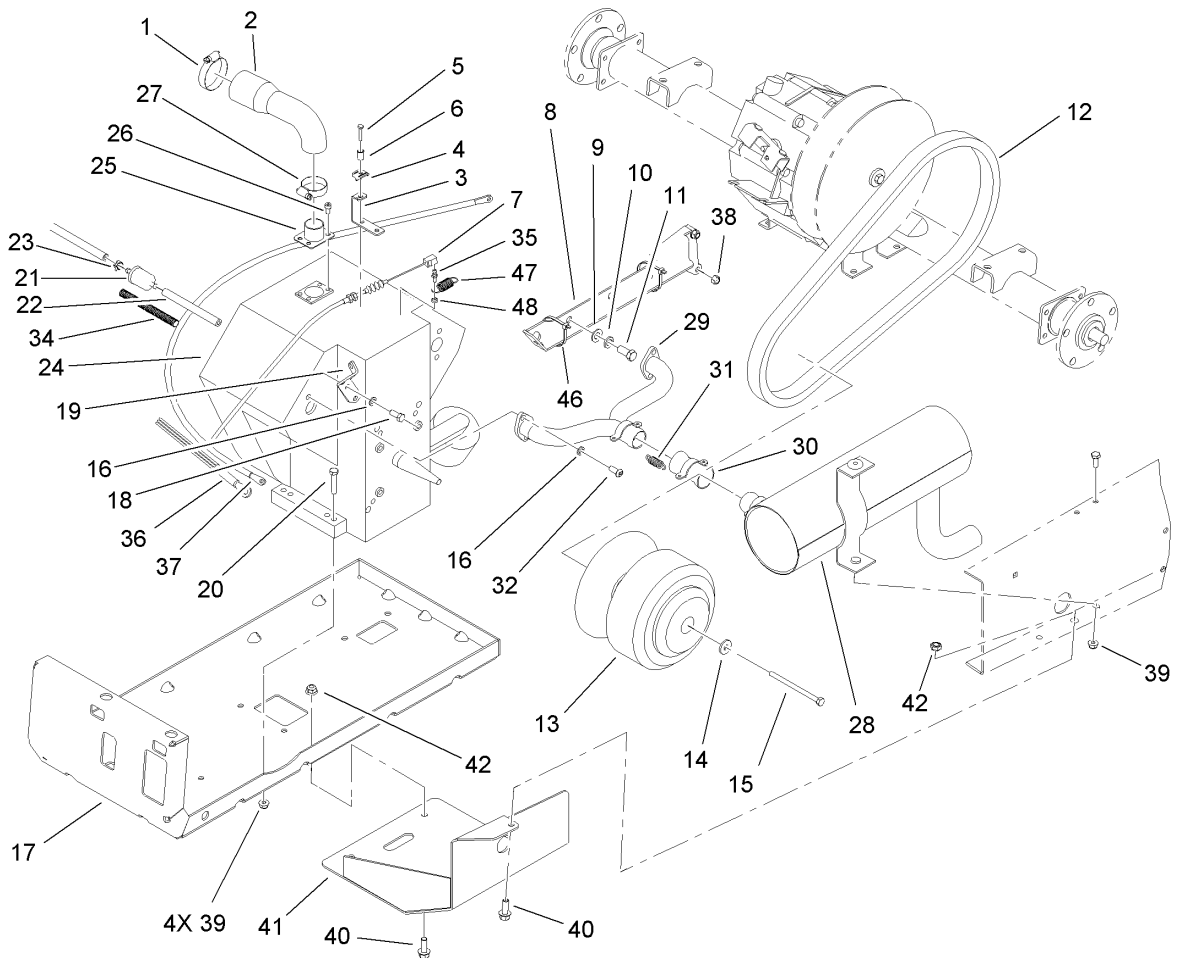
Box and Tailgate Installation Assembly

Ref	Part No.	Qty.	Description
1		1	Box And Tailgate ASM
2	99-7984	2	Knob-Soft Grip, Push-On
3	87-8460	2	Bumper-Rubber
6	104-7213	1	Decal
14	3234-5	18	Screw-HHF
15	99-7309-03	1	RH Pivot Bracket ASM
17	99-7308-03	1	LH Pivot Bracket ASM
18	3234-11	4	Screw-HHF
19	99-7864-03	3	Brace-Box
21	99-7870	1	Shield-Heat
24	99-7895	1	Rod-Prop
25	99-7894	1	Bracket-Rod, Prop
26	3256-26	1	Washer-Flat
27	32112-14	1	Nut-Push
28	3234-17	2	Screw-HHF
29	99-7896	1	Bracket-U, Prop Rod
30	104-7244	1	Rod-Latch
31	5-7290	2	Spring-Tension
32	3230-7	2	Screw-CARR
33	104-7248	2	Pin-Latch
34	3296-29	2	Nut-Lock, NI
35	104-8300	1	Nut-Flange, NI
36	104-6859	1	Shield-Heat
40	104-7266	2	Decal-Bed



Box and Tailgate Assembly

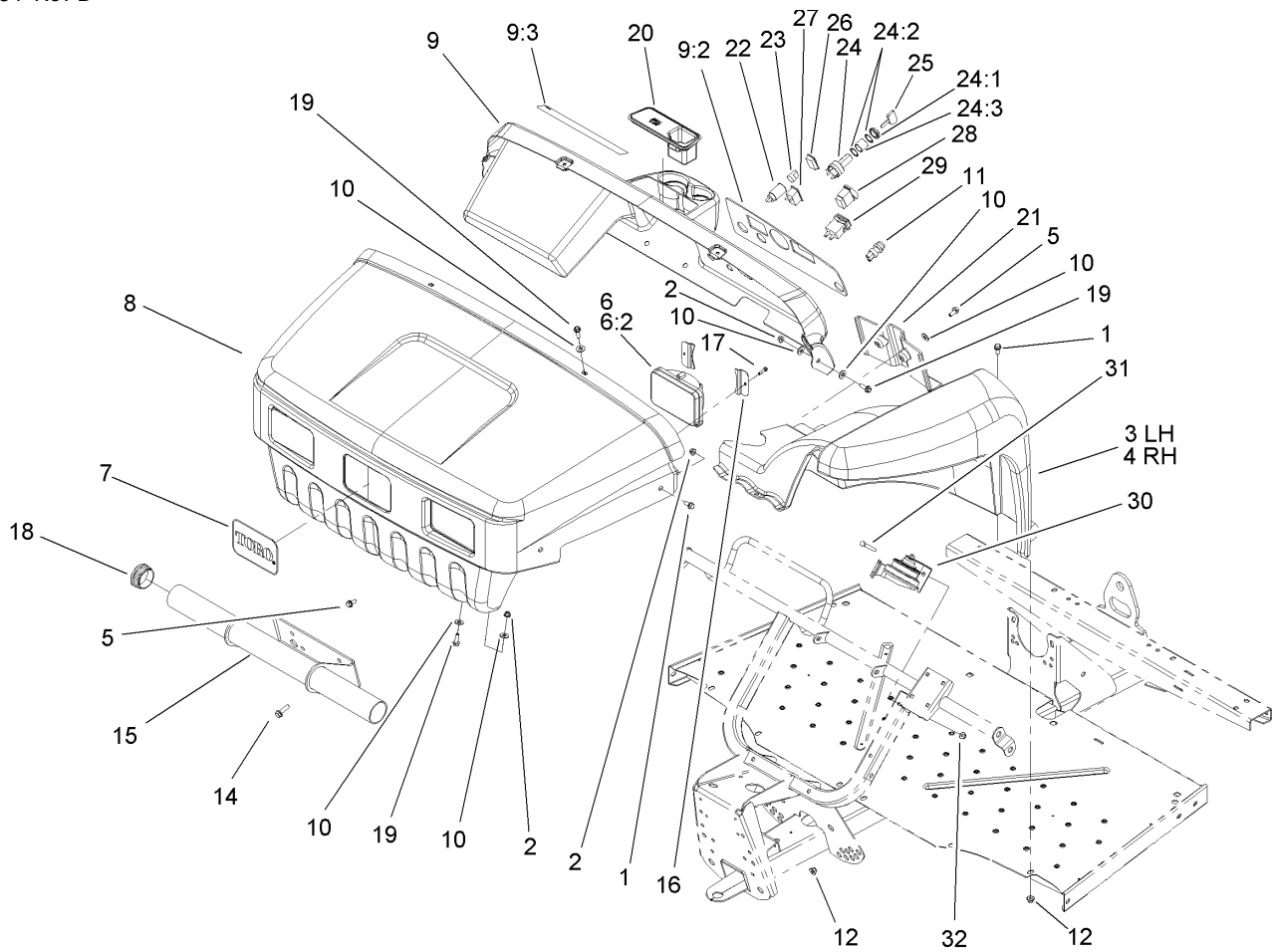
Ref	Part No.	Qty.	Description
1	99-7860	1	Rod-Latch, Right
2	99-7858	1	Bracket-Tailgate Latch, Right
3	99-7893	1	Tailgate ASM
4	99-7334	10	Screw
5	99-7852	2	Plate-Striker
6	99-7859	1	Rod-Latch, Left
7	99-7857	1	Bracket-Tailgate Latch, Left
8	99-7335	4	Screw
9	99-7861	4	Washer-Latch
10	61-8880	2	Spring
11	99-7286	2	Bracket-Pivot, Tailgate
12	3234-5	10	Screw-HHF
13	99-7867	1	Channel-Tailgate
14	104-7203	1	Box ASM
14:4	99-7954	1	Decal-No Riders
14:5	3290-415	4	Rivet



Engine and Clutch Assembly

Ref	Part No.	Qty.	Description
1	2412-130	1	Clamp-Hose
2	99-7106	1	Hose-Intake
3	107-0319	1	Bracket-Cable
4	81-1690	1	Clamp-Cable
5	3290-432	1	Screw-HH
6	32148-14	1	Insert-Threaded
7	108-7017	1	Cable-Accelerator
8	104-6631-03	1	Torque Arm ASM
9	3256-25	2	Washer-Flat
10	3253-6	2	Washer-Lock
11	324-4	2	Screw-HH
12	99-7144	1	Belt-Drive
13	99-7939	1	Clutch-Drive
14	5-0838	1	Washer
15	99-7201	1	Screw-HH
16	3253-4	6	Washer-Lock
17	104-6433-03	1	Mount-Engine
18	66-3160	2	Screw-Cap
19	104-7152	1	Bracket-Cable, Throttle
20	322-8	4	Screw-HH
21	94-2690	1	Filter-Fuel
22	109-0678	1	Hose-Fuel
23	2412-98	3	Clamp

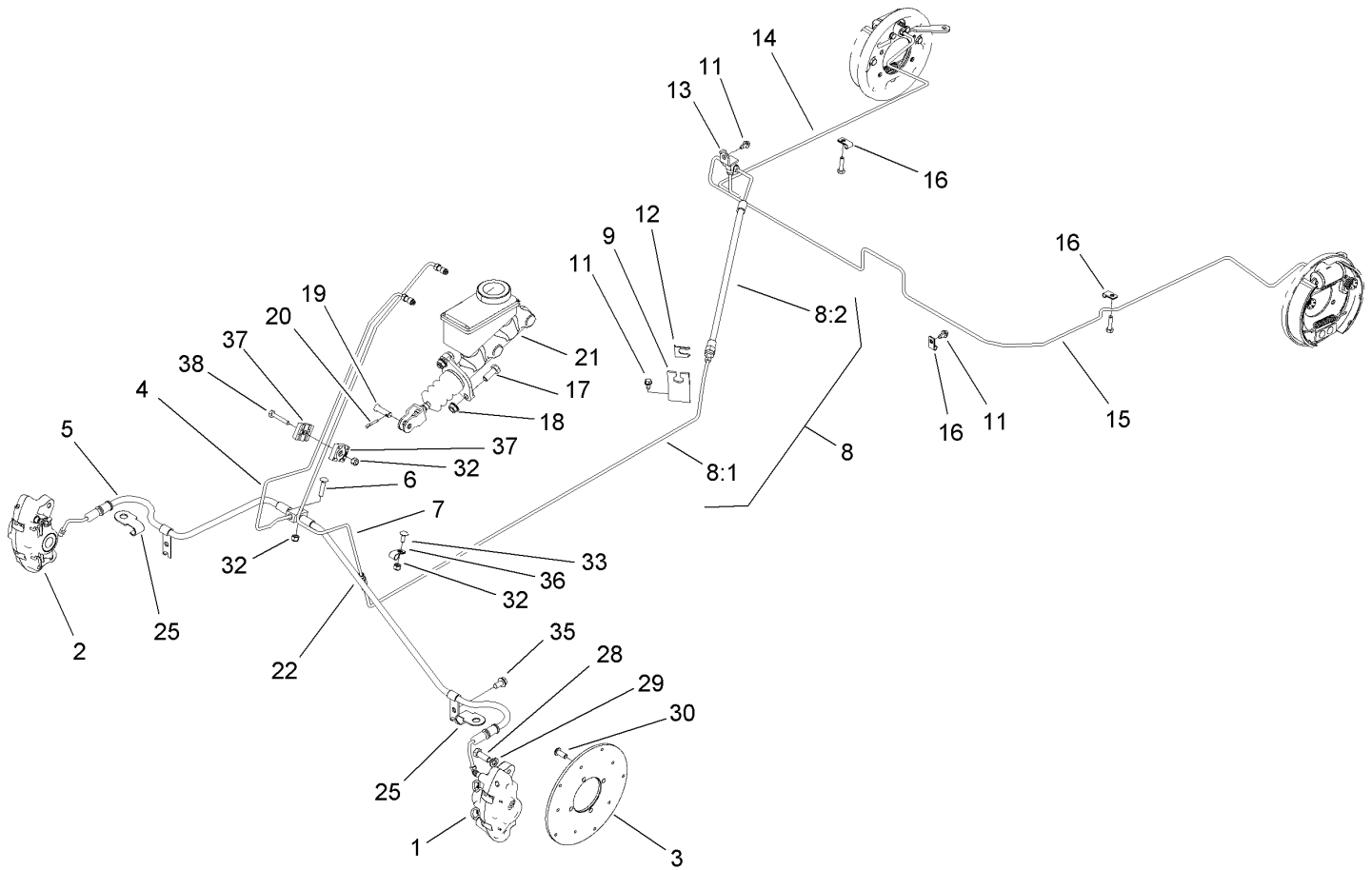
Ref	Part No.	Qty.	Description
24	104-6649	1	Engine-Briggs & Stratton, 303447-1319-E1
25	99-7083	1	Bracket-Intake
26	99-7202	4	Screw
27	2412-3	1	Clamp-Hose
28	104-6475	1	Muffler-Engine
29	104-6476	1	Manifold-Engine
30	104-6477	1	Coupler-Exhaust
31	104-6478	4	Spring-Coupler, Exhaust
32	3274-96	4	Screw
34	99-7377	1	Conduit-Line, Fuel
35	99-7847	1	Ball-Stud
36	99-7426	1	Harness-Wire, Engine
37	28-3894	1	Positive Red Wire ASM
38	33024-00	2	Nut-Lock
39	104-8300	5	Nut-Flange, NI
40	3234-11	3	Screw-HHF
41	104-6408-03	1	Clutch Guard ASM
42	104-8301	3	Nut-Flange, NI
46	3290-379	2	Tie-Cable
47	71-5470	1	Spring-Brake
48	110-2619	1	Keeper-Spring



Hood and Fender Assembly

Ref	Part No.	Qty.	Description
1	3234-5	12	Screw-HHF
2	104-8300	14	Nut-Flange, NI
3	104-7078	1	LH Fender ASM
4	104-7079	1	RH Fender ASM
5	104-7206	4	Screw HHF
6	87-2120	2	Headlight
6:1	95-0909	1	Lamp-12 Volt
6:2	87-6330	1	Lens-Headlight
7	62-5550	1	Decal
8	99-7379	1	Hood ASM
9	107-0705	1	Dash ASM
9:2	107-0704	1	Decal-Warning
9:3	99-7344	1	Decal-Danger
10	3256-3	10	Washer-Flat
11	18-2830	1	Button-Horn
12	104-8301	6	Nut-Flange, NI
14	32144-67	4	Screw
15	99-7840-03	1	Bumper-Tube
16	99-7947	4	Bracket-Headlight
17	99-7331	4	Screw-HWH
18	2410-42	2	Cap-End
19	3234-17	6	Screw-HHF
20	104-6930	1	Plug-Rubber
21	104-7075	1	Cover-Channel

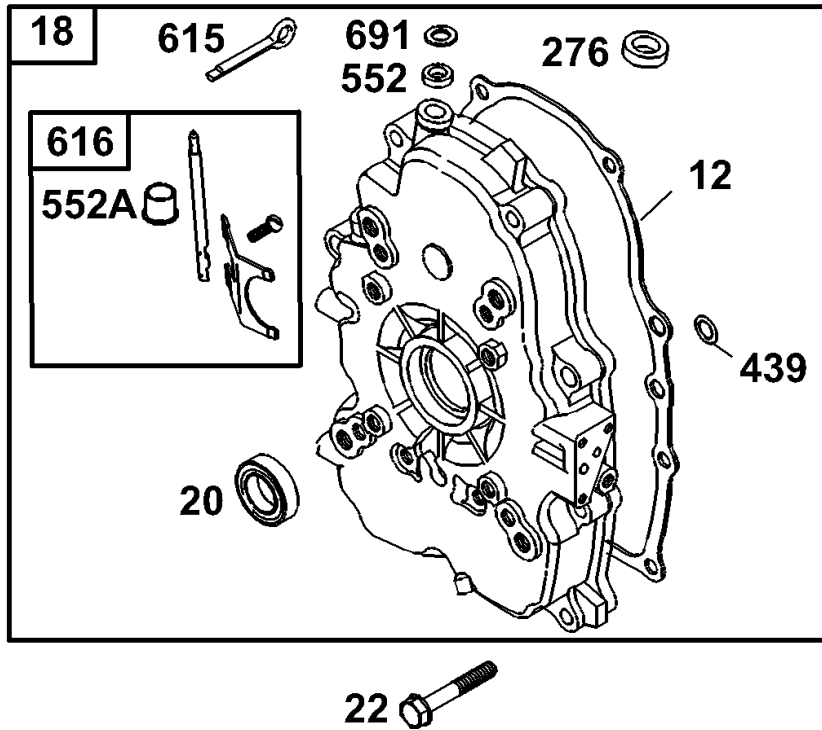
Ref	Part No.	Qty.	Description
22	99-7411	1	Point-Power
23	99-7416	1	Cap
24	104-6929	1	Switch-Ignition
24:1	104-7042	1	Nut-Switch, Plastic
24:2	104-7019	2	Washer-Lock, Internal
24:3	104-7021	1	Spacer-Switch
25	99-7418	2	Key-Ignition
26	99-7420	1	Plug-Hole
27	99-7410	1	Light-Oil
28	95-8999	1	Switch
29	94-4208	1	Hourmeter
30	116749	1	Horn
31	322-11	1	Screw-HH
32	104-8300	1	Nut-Flange, NI



Hydraulic Brake Assembly

Ref	Part No.	Qty.	Description
1	107-0361	1	Caliper, LH
2	107-0362	1	Caliper, RH
3	104-6891	2	Rotor
4	104-6798	1	Tube-Front, Brake
5	104-7256	1	Front Hose ASM
6	3229-3	1	Screw-CARR
7	104-6793	1	Tube-Brake, Rear
8	104-6794	1	Complete Rear Brake Hose ASM
8:1	104-6794	1	Tube-Brake, Rear
8:2	104-6795	1	Hose-Brake, Rear
9	104-6799	1	Bracket-Hose, Brake
11	12-3270	3	Screw
12	104-7092	1	Clip
13	87-3560	1	Tee
14	104-6796	1	Tube-Brake Rear, RH
15	110-2604	1	Tube-Brake Rear, LH
16	2412-72	3	Clip-Closed, Insulated
17	323-6	2	Screw-HH
18	3290-357	2	Nut-HHF, Whiz
19	283-2	1	Pin-Clevis
20	3272-10	1	Pin-Cotter
21	104-6782	1	Cylinder-Master
22	87-3570	1	Union
25	104-7073	2	Bracket-Hose

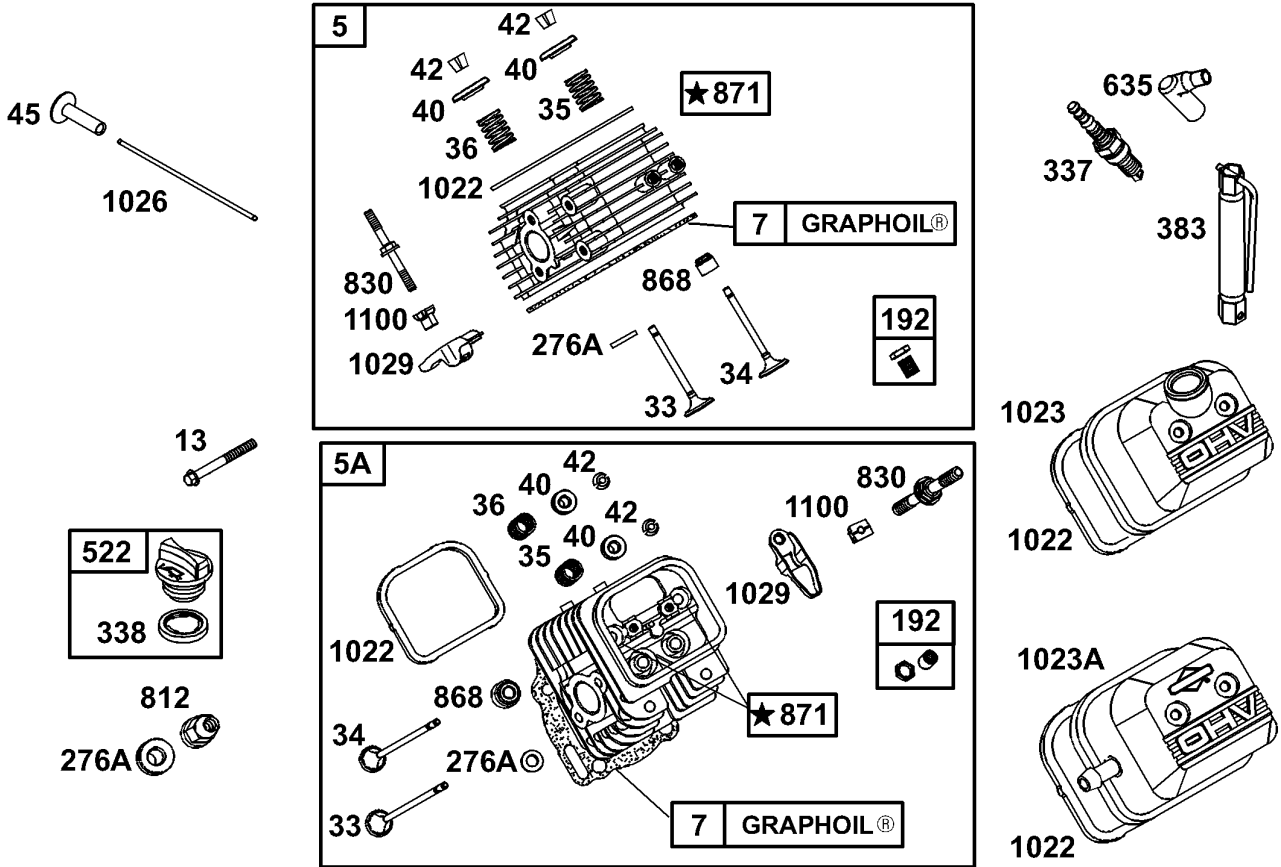
Ref	Part No.	Qty.	Description
28	323-6	4	Screw-HH
29	3253-21	4	Washer-Lock
30	3274-55	8	Screw-HSBH
32	3296-42	3	Nut-Lock, NI
33	3229-11	1	Screw-CARR
35	32144-14	2	Screw-HWH
36	2412-89	1	Clamp
37	87-7660	2	Clamp-Tube
38	321-9	1	Screw-HH



Assemblies include all parts shown in frames.

Crankcase Assembly Briggs and Stratton 303447-1319-E1

Ref	Part No.	Qty.	Description				
12	691684	1	Gasket-Crankcase				
18	808847	1	Cover-Crankcase				
20	805049	1	Seal-Oil				
22	692540	1	Screw				
276	690704	1	Washer-Sealing				
439	692154	1	Seal-O Ring				
552	690701	1	Bushing-Crank, Governor				
552A	806686	1	Bushing-Crank, Governor				
615	691550	1	Retainer-Shaft, Governor				
616	806685	1	Crank-Governor				
691	690680	1	Seal-Shaft, Governor				

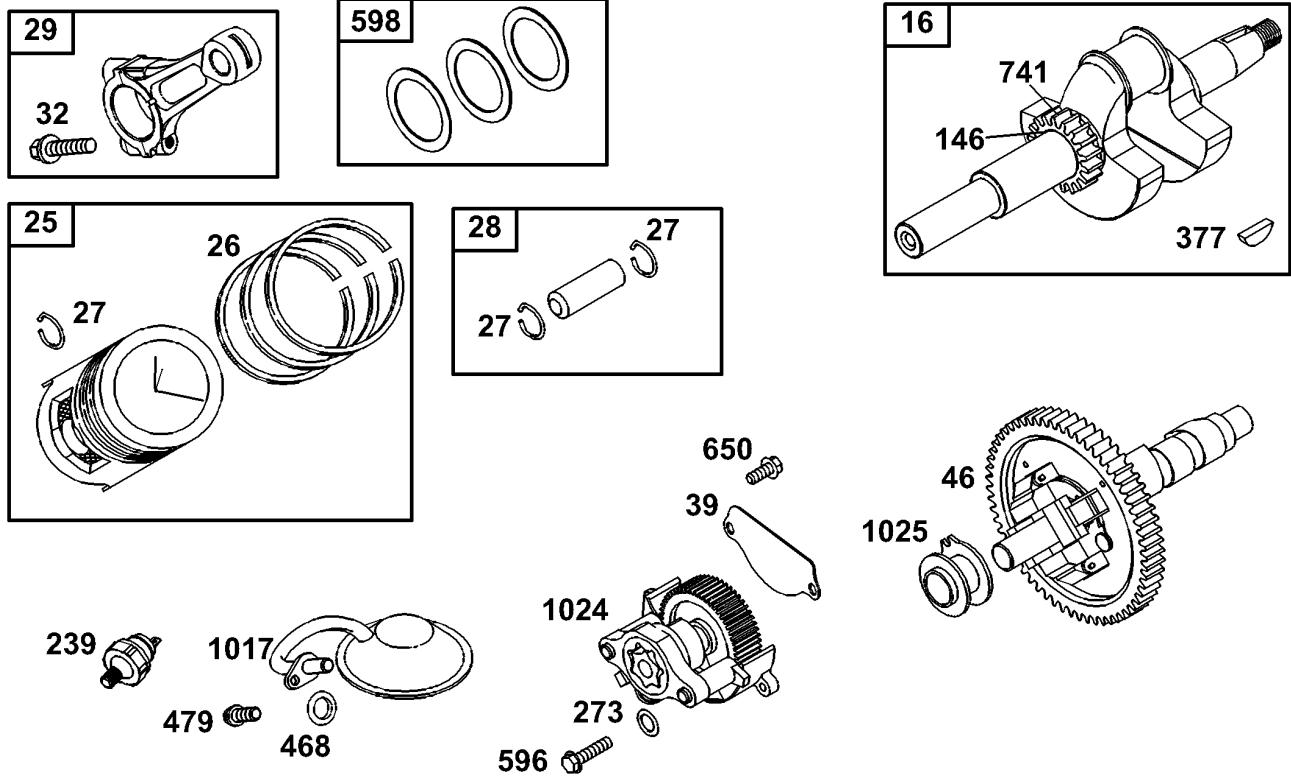


Assemblies include all parts shown in frames.

Cylinder Head and Cover Assembly Briggs and Stratton 303447-1319-E1

Ref	Part No.	Qty.	Description
5	808381	1	Head-Cylinder (Cylinder No. 1)
5A	808382	1	Head-Cylinder (Cylinder No. 2)
47	806085	1	Gasket-Head, Cylinder
13	692059	1	Screw
33	807681	1	Valve-Exhaust
34	807680	1	Valve-Intake
35	692084	1	Spring-Valve
36	692084	1	Spring-Valve
40	692058	1	Retainer-Valve
42	807683	1	Keeper-Valve
45	690977	1	Valve-Tappet
192	807623	1	Adjuster-Arm, Rocker
276A	691766	1	Washer-Sealing
337	491055	1	Plug-Spark
338	691312	1	Gasket-Dipstick
383	19374	1	Wrench-Spark Plug
522	491832	1	Plug-Dipstick / Fill
635	692076	1	Boot-Spark Plug
812	692055	1	Nut
830	691544	1	Stud-Rocker Arm
868	691963	1	Seal-Valve

Ref	Part No.	Qty.	Description
871	692057	1	Bushing-Guide, Valve
1022	806039	1	Gasket-Cover, Rocker
1023	690758	1	Cover-Valve
1023A	691558	1	Cover-Valve
1026	691836	1	Rod-Push
	691758	1	Rod-Push
1029	691543	1	Arm-Rocker
1100	690973	1	Pivot-Arm, Rocker

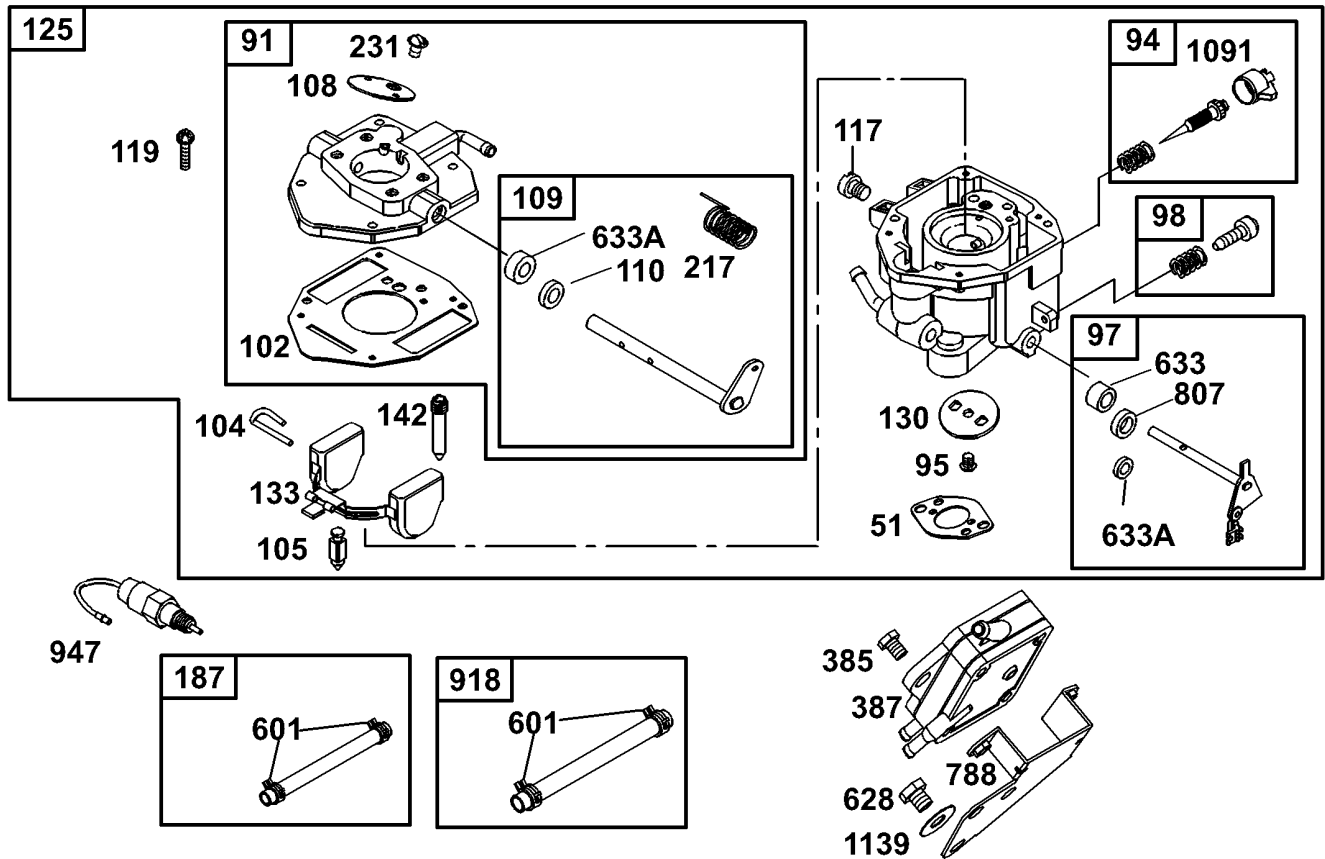


Assemblies include all parts shown in frames.

Crankshaft, Piston and Oil Pump Assembly Briggs and Stratton 303447-1319-E1

Ref	Part No.	Qty.	Description
16	692163	1	Crankshaft
25	807619	1	Piston ASM (Standard)
6	807807	1	Piston ASM (.010 Oversize)
6	807809	1	Piston ASM (.020 Oversize)
6	807811	1	Piston ASM (.030 Oversize)
26	807620	1	Ring Set (Standard)
6	807808	1	Ring Set (.010 Oversize)
6	807810	1	Ring Set (.020 Oversize)
6	807812	1	Ring Set (.030 Oversize)
27	690683	1	Lock-Pin, Piston
28	807621	1	Pin-Piston
29	807900	1	Rod-Connecting (Standard)
6	807809	1	Piston ASM (.020 Oversize)
32	690698	1	Screw
39	690745	1	Deflector-Oil
46	691557	1	Camshaft
146	691639	1	Key-Timing
239	690233	1	Switch-Pressure, Oil
273	690681	1	Seal-O Ring
377	808095	1	Key-Woodruff
468	690690	1	Seal-O Ring
479	692537	1	Screw
596	691492	1	Screw
598	807625	1	Shim-Play, End

Ref	Part No.	Qty.	Description
650	692539	1	Screw
741	691530	1	Gear-Timing
1017	690900	1	Screen-Pump, Oil
1024	693185	1	Pump-Oil
1025	690689	1	Spool-Governor

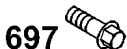
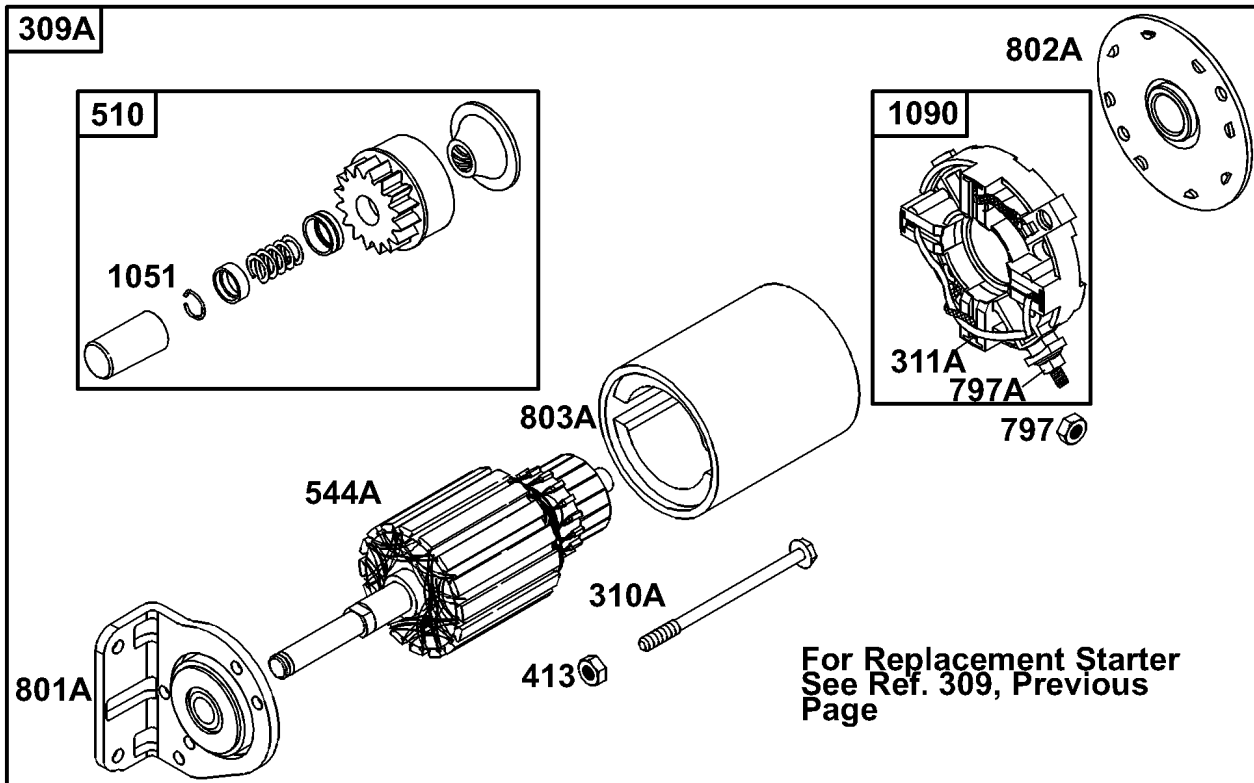


Assemblies include all parts shown in frames.

Carburetor and Fuel Pump Assembly Briggs and Stratton 303447-1319-E1

Ref	Part No.	Qty.	Description
51	691694	1	Gasket-Intake
91	808964	1	Body-Carburetor, Upper
94	808257	1	Idle Mixture Kit
95	690718	1	Screw
97	809007	1	Shaft-Throttle
98	808177	1	Screw
102	692077	1	Gasket-Body, Carburetor
104	690723	1	Pin-Hinge, Float
105	692078	1	Valve-Needle, Float
108	690719	1	Valve-Choke
109	809062	1	Shaft-Choke
110	806861	1	Washer
117	806986	1	Jet-Main
119	690720	1	Screw
125	809092	1	Carburetor
130	690726	1	Valve-Throttle
133	806961	1	Float-Carburetor
142	806987	1	Nozzle-Carburetor
187	691050	1	Line-Fuel (Cut To Required Length)
217	806862	1	Spring-Return, Choke
231	690718	1	Screw
385	693169	1	Screw

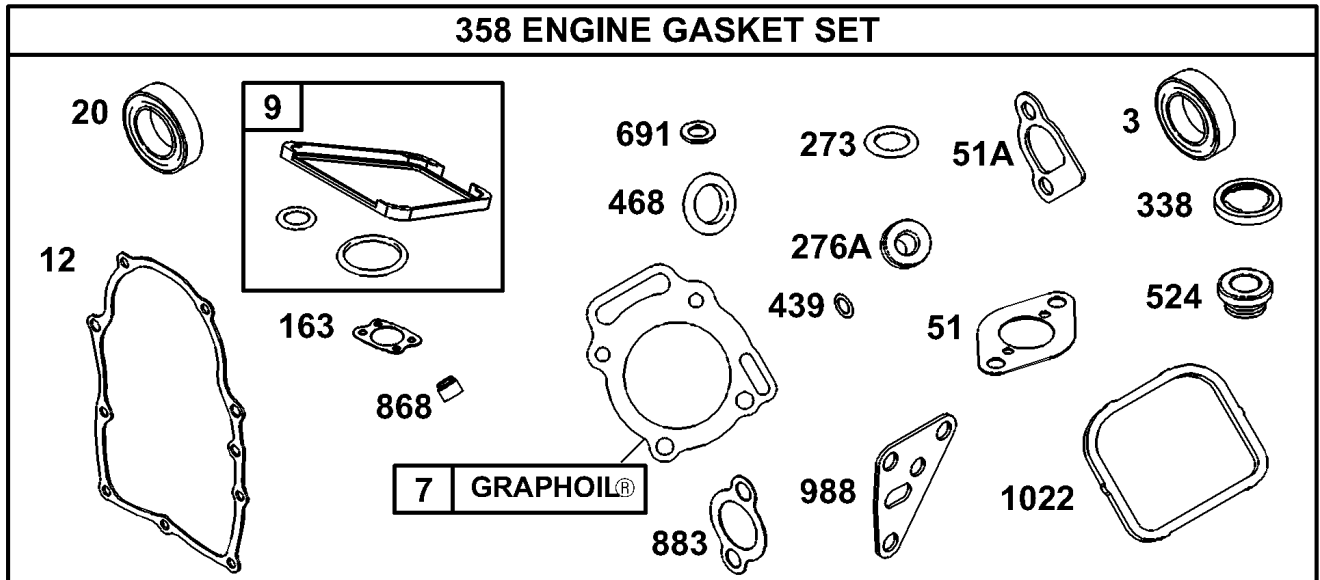
Ref	Part No.	Qty.	Description
387	808656	1	Pump-Fuel
601	691038	1	Clamp-Hose
628	806660	1	Screw
633	806131	1	Seal-Shaft, Choke / Throttle
633A	690722	1	Seal-Shaft, Choke / Throttle
788	691559	1	Bracket-Pump, Fuel
807	805557	1	Collar-Throttle
918	393815	1	Line-Vacuum
947	692094	1	Solenoid-Fuel
1091	691516	1	Cap-Limiter
1139	806497	1	Washer



Assemblies include all parts shown in frames.

Replacement Starter Motor Assembly Briggs and Stratton 303447-1319-E1

Ref	Part No.	Qty.	Description
309A		1	Motor-Starter (For Replacement Starter, See Ref. 309, Previous Page)
310A	690323	1	Bolt
311A	497608	1	Brush Set
413	693587	1	Nut
510	496881	1	Drive-Starter
544A	693548	1	Armature-Starter
697	692062	1	Screw
797	691029	1	Nut
797A	693167	1	Nut
801A	808778	1	Cap-Drive
802A	691286	1	Cap-End
803A	693547	1	Housing-Starter
1051	691124	1	Ring-Lock
1090	691293	1	Retainer-Brush

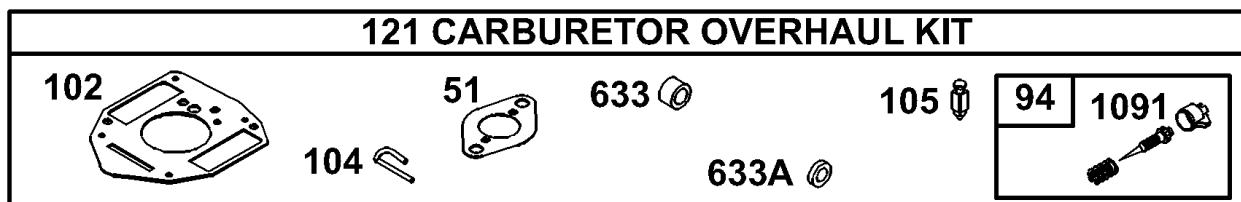
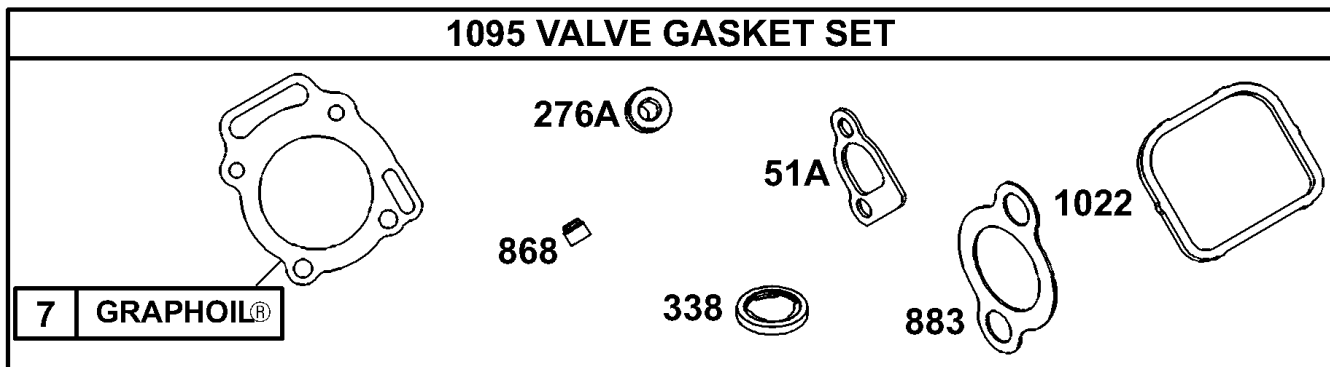


Assemblies include all parts shown in frames.

Engine Gasket Set Briggs and Stratton 303447-1319-E1

Ref	Part No.	Qty.	Description
363	805101	1	Seal-Oil
347 6	806085	1	Gasket-Head, Cylinder
369	807893	1	Breather Gasket
3612	691684	1	Gasket-Crankcase
3620	805049	1	Seal-Oil
351 6	691694	1	Gasket-Intake
3451A 6	692035	1	Gasket-Intake
36163	692081	1	Gasket-Cleaner, Air
36273	690681	1	Seal-O Ring
34276A 6	691766	1	Washer-Sealing
34338 6	691312	1	Gasket-Dipstick
3358	808390	1	Engine Gasket Set
3439	692154	1	Seal-O Ring
36468	690690	1	Seal-O Ring
36524	693172	1	Seal-Tube, Dipstick
36691	690680	1	Seal-Shaft, Governor
34868 6	691963	1	Seal-Valve
34883 6	691613	1	Gasket-Exhaust
36988	692063	1	Gasket-Adapter, Oil Filter

Ref	Part No.	Qty.	Description
341022 6	806039	1	Gasket-Cover, Rocker



Assemblies include all parts shown in frames.

Valve Gasket Set and Carburetor Overhaul Kit Briggs and Stratton 303447-1319-E1

Ref	Part No.	Qty.	Description
⑤⑤7	806085	1	Gasket-Head, Cylinder
⑥			
⑤⑤51	691694	1	Gasket-Intake
⑥			
⑤④51A	692035	1	Gasket-Intake
⑥			
⑤⑥94	808257	1	Idle Mixture Kit
⑤⑥102	692077	1	Gasket-Body, Carburetor
⑤⑥104	690723	1	Pin-Hinge, Float
⑤⑥105	692078	1	Valve-Needle, Float
⑥121	809023	1	Carburetor Overhaul Kit
⑤④276A	691766	1	Washer-Sealing
⑥			
⑤④338	691312	1	Gasket-Dipstick
⑥			
⑤⑥633	806131	1	Seal-Shaft, Choke / Throttle
⑤⑥633A	690722	1	Seal-Shaft, Choke / Throttle
⑤④868	691963	1	Seal-Valve
⑥			
⑤④883	691613	1	Gasket-Exhaust
⑥			
⑤④1022	806039	1	Gasket-Cover, Rocker
⑥			
⑤⑥1091	691516	1	Cap-Limiter
⑥1095	808392	1	Valve Gasket Set

NOTES

