



## 50cm Recycler<sup>®</sup> Lawnmower

Model No. 20654 - 250000001 and up.

### Parts Catalog

---

#### Ordering Replacement Parts

To order replacement parts, please supply the part number, the quantity, and the description of each part desired.

#### Understanding Reference Numbers

Each identified part in an illustration has a reference number. The reference number for a part also appears in the parts list, along with other information about the part.

This catalog uses two special reference number formats, one to indicate parts in a service assembly and another to indicate the quantity of a given part in an illustration.

#### Service Assembly Reference Numbers

Parts in service assemblies have reference numbers in the form a:b. The a represents the reference number of the entire service assembly and the b represents a sequential number unique to each part within the service assembly.

For example, a wheel assembly might be identified by reference number 6, the tire by 6:1, the valve by 6:2, and the wheel by 6:3. When you order the assembly identified by reference number 6, you receive all parts identified by reference numbers 6:1, 6:2, and 6:3. However, you may also order any part individually. Reference numbers of this type appear in illustrations and in part lists.

#### Reference Numbers Indicating Quantity

In an illustration, if a reference number indicates more than one part, the reference number has the form nX y. The n represents the quantity of the part, the X is the multiplication symbol, and the y represents the reference number.

For example, in an illustration, the reference number 2X 37 means that two of the parts identified by reference number 37 are indicated.

# Contents

Description	Page	Description	Page
Housing Assembly	..... 3	Air Cleaner Assembly Briggs and Stratton 122K02-0172-E1	..... 14
Gear Case Assembly No.104-7677	..... 4	Governor Assembly Briggs and Stratton 122K02-0172-E1	..... 15
Engine and Blade Assembly	..... 5	Muffler and Fuel Tank Assembly Briggs and Stratton 122K02-0172-E1	..... 16
Gearcase and Wheel Assembly	..... 6	Blower Housing Assembly Briggs and Stratton 122K02-0172-E1	..... 17
Handle Assembly	..... 7	Recoil Starter Assembly Briggs and Stratton 122K02-0172-E1	..... 18
Rear Bag Discharge Chute Assembly	..... 8	Electric Starter Assembly Briggs and Stratton 122K02-0172-E1	..... 19
Rear Grass Bag Assembly	..... 9	Gasket Assembly Briggs and Stratton 122K02- 0172-E1	..... 20
Cylinder Assembly Briggs and Stratton 122K02-0172-E1	..... 10	Carburetor Overhaul Kit Assembly Briggs and Stratton 122K02-0172-E1	..... 21
Crankshaft Assembly Briggs and Stratton 122K02-0172-E1	..... 11		
Crankcase Assembly Briggs and Stratton 122K02-0172-E1	..... 12		
Carburetor Assembly Briggs and Stratton 122K02-0172-E1	..... 13		

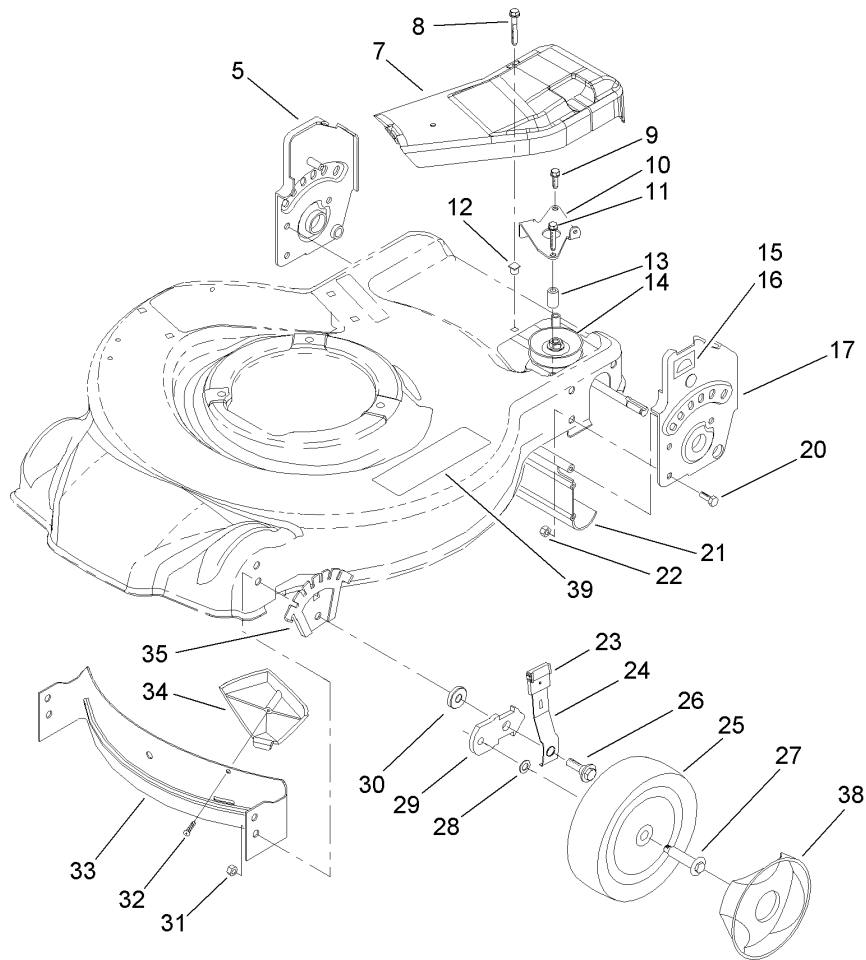
## Part Description Abbreviations

Part descriptions in this catalog may include the following abbreviations.

AR. .... as required	INC. .... incorporated
ASM. .... assembly	LH. .... left hand
BBC. .... blade brake clutch	NI. .... nylon insert
CARR. .... carriage	NPTF. .... national pipe thread fine
DEG. .... degrees	PFH. .... phillips flat head
EXT. .... external	PPH. .... phillips pan head
FH. .... flat head	PPHTF. .... phillips pan head thread forming
GA. .... gauge	PRH. .... phillips round head
HF. .... hex flange	PTH. .... phillips truss head
HH. .... hex head	PTO. .... power-take-off
HHF. .... hex head flange	RH. .... right hand
HHFTF. .... hex head flange thread forming	ROPS. .... roll-over-protection-system
HJ. .... hex jam	SFH. .... slotted fillister head
HLH. .... hex lag head	SHH. .... slotted hex head
HOC. .... height-of-cut	SHWH. .... slotted hex washer head
HSBH. .... hex socket button head	SPH. .... slotted pan head
HSFH. .... hex socket flat head	SQH. .... square head
HSH. .... hex socket head	SRH. .... slotted round head
HWH. .... hex washer head	STD. .... standard
HWHTF. .... hex washer head thread forming	TAP. .... self tapping
HYD. .... hydraulic	TTH. .... torx truss head

## Footnotes

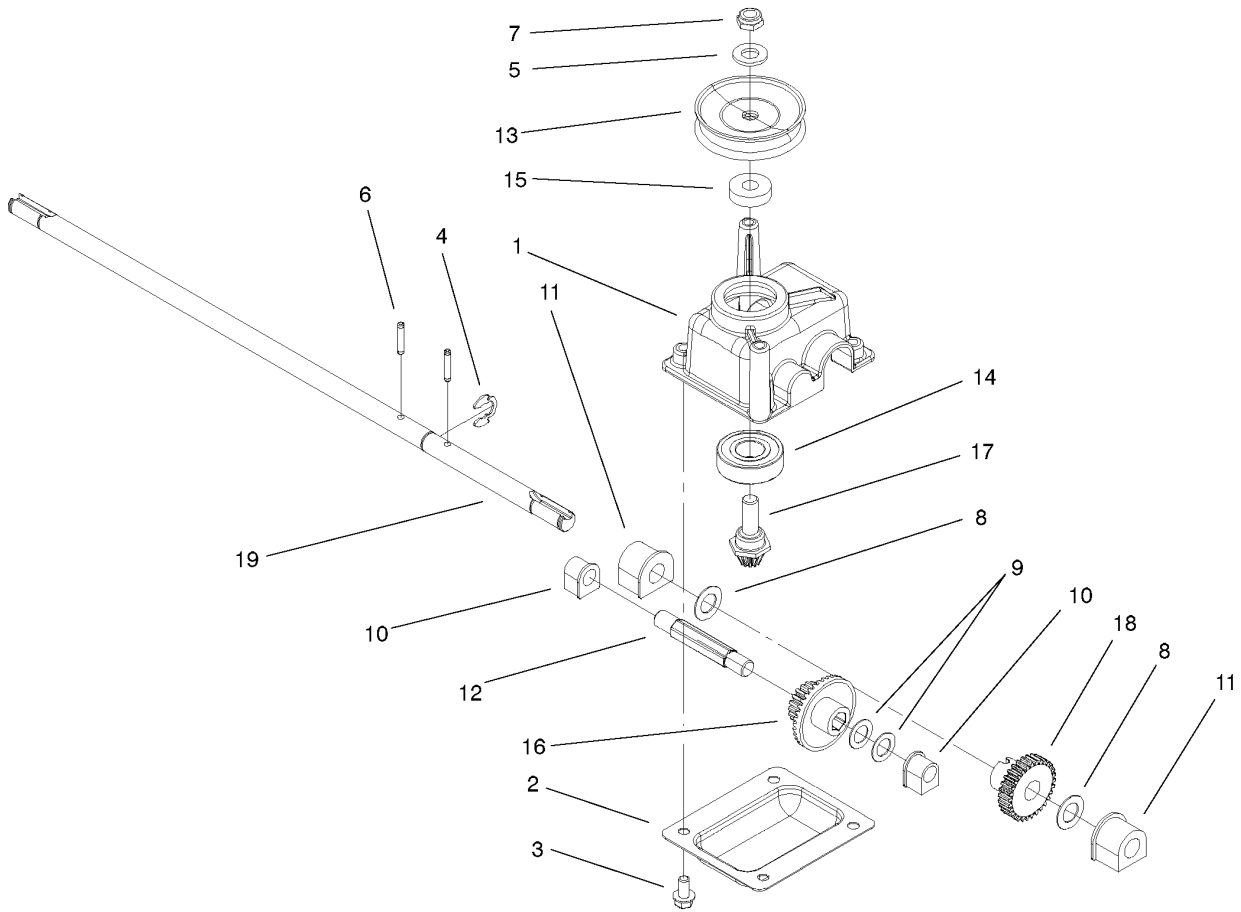
- |   |   |
|---|---|
| ❶ Not illustrated                             | ❷ Not serviced separately                         |
| ❸ Included in Engine Gasket Set-Ref. 358.     | ❹ Included in Carburetor Overhaul Kit-Ref. 121.   |
| ❺ Included in Carburetor Gasket Set-Ref. 977. | ❻ Obtain from your local Briggs & Stratton dealer |



## Housing Assembly

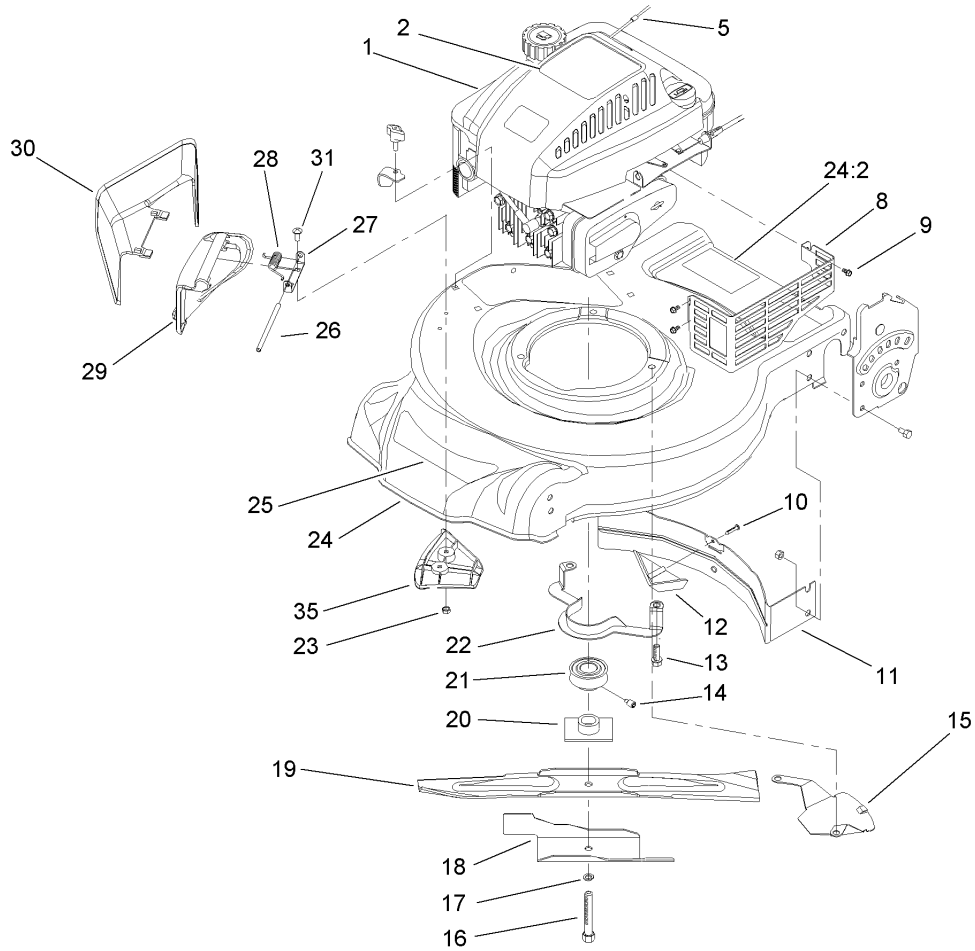
Ref	Part No.	Qty.	Description
5	93-0234	1	RH Handle Bracket ASM
7	93-0209	1	Cover-Transmission
8	32144-119	1	Screw-PTH
9	49-2040	1	Screw-HWHTF
10	93-0228-03	1	Guide-Transmission
11	92-1616	1	Screw-HWHTF
12	605120	1	Nut-Clip
13	614673	1	Bushing-Plate, Actuator
14	104-7677	1	Gear Case ASM
15	93-6670	1	Decal-HOC
16	93-6671	1	Decal-HOC
17	93-0233	1	LH Handle Bracket ASM
20	322-3	6	Screw-HH
21	92-8647	1	Shield-Trailing
22	3296-29	6	Nut-Lock, NI
23	92-1008	2	Knob-Lever, Height Adjustment
24	614687	2	Arm-Front Spring
25	99-6470	2	Wheel ASM
26	614650	2	Bolt-Shoulder
27	614672	2	Bolt-Shoulder
28	40-1940	2	Washer
29	95-7403-03	2	Bracket-Height Adjustment, Wheel
30	92-4890	2	Washer
31	3296-39	2	Nut-Lock, NI

Ref	Part No.	Qty.	Description
32	93-0231	1	Screw-PPH
33	100-1179-03	1	Baffle-Front
34	93-0216	1	Kicker-Front
35	92-4881-03	2	Plate-Height, Adjustment
38	95-6543	2	Cover-Wheel
39	93-4105	1	Decal-Danger



### Gear Case Assembly No.104-7677

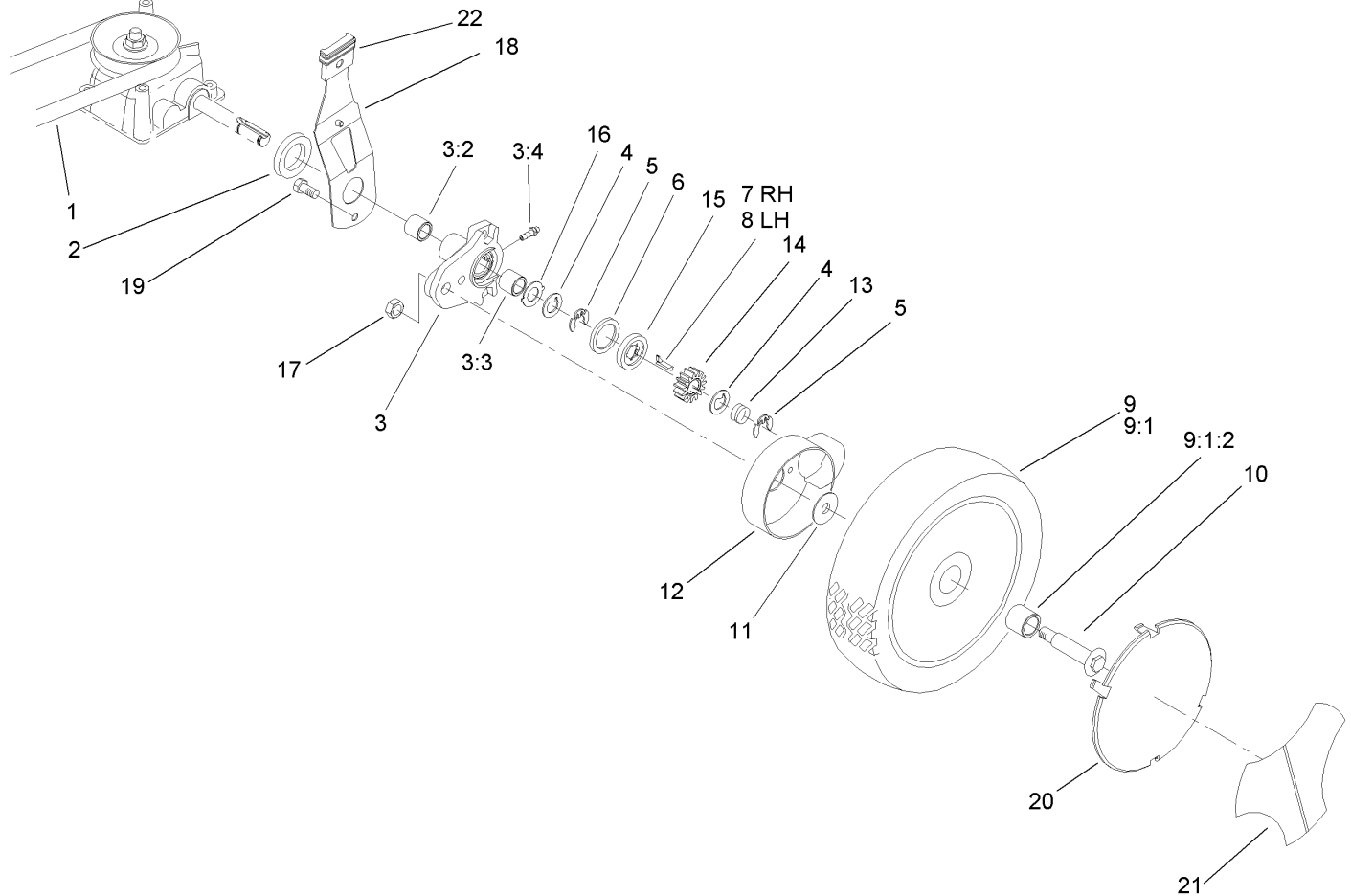
Ref	Part No.	Qty.	Description
1	104-7619	1	Case-Gear
2	614668-03	1	Cover-Case, Gear
3	32144-4	4	Screw-HWH
4	32151-68	1	Ring-Retaining
5	3256-24	1	Washer-Flat
6	3285-19	2	Pin-Groove
7	3296-5	1	Nut-Lock
8	36-4780	2	Washer
9	36-4791	2	Washer-Thrust
10	60-8750	2	Bushing
11	60-8850	2	Bushing
12	614696	1	Shaft-Intermediate
13	100-1176	2	Pulley-Half
14	100-1048	1	Bearing-Ball
15	62-6660	1	Spacer
16	104-1005	1	Gear-19T Spur, 37T Bevel
17	104-7667	1	Gear-Pinion, Bevel
18	104-1004	1	Gear-30T
19	104-7670	1	Shaft-Output

## Engine and Blade Assembly

Ref	Part No.	Qty.	Description
② ①		1	Engine-Briggs And Stratton, 122K02-0172-E1
2	107-3748	1	Decal-Recoil
5	2210-316	1	Stop-Rope Need Order
8	104-7577-03	1	Shield-Muffler
9	32144-1	3	Screw-Taptite
10	93-0231	1	Screw-PPH
11	93-0223-03	1	Baffle-Rear
12	93-0217	1	Kicker-Rear
13	95-1726	3	Screw-Taptite
14	105-8875	1	Screw-Set, Cone Point
15	93-4196-03	1	Shield-Grass
16	26-0671	1	Screw-Blade
17	3290-465	1	Washer-Belleville
18	93-0219-03	1	Accelerator
19	93-0241-03	1	Blade
20	104-7609	1	Retainer-Blade, Ce
21	95-1878	1	Pulley
22	92-1024-03	1	Guide-Belt
23	32128-32	2	Nut-HHF
24	104-0228	1	Housing
24:2	93-4105	1	Decal-Danger
25	108-8116	1	Decal-Housing
26	99-5291	1	Rod-Cover

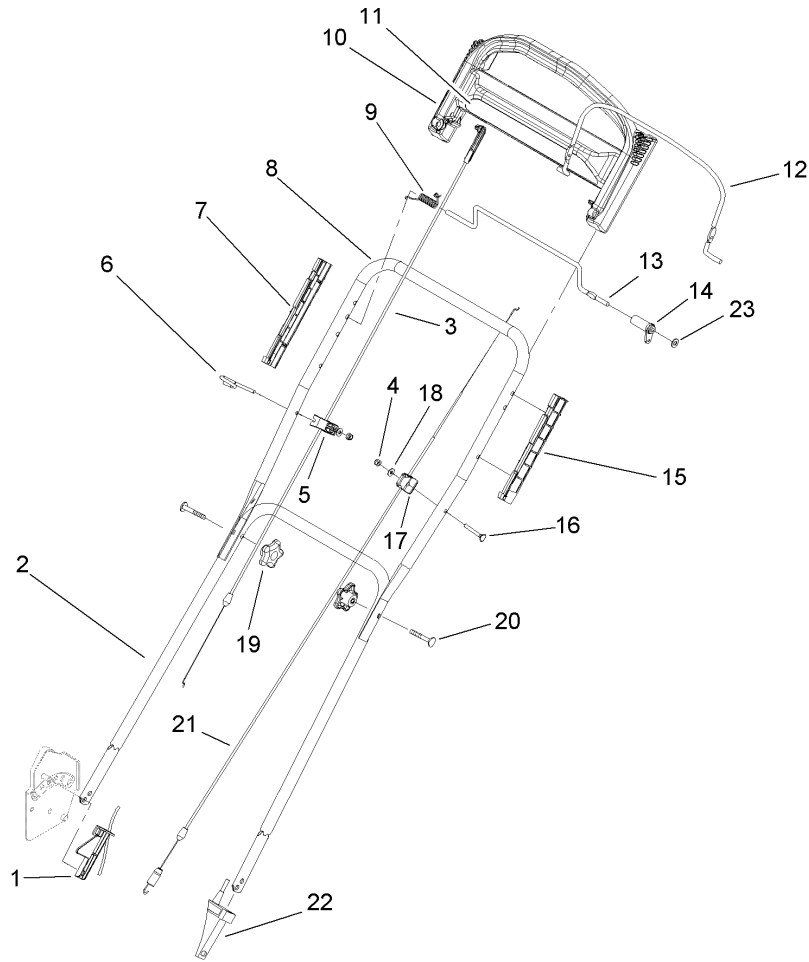
Ref	Part No.	Qty.	Description
27	99-5292	1	Bracket-Cover
28	99-5293	1	Spring-Torsion
29	99-5294	1	Cover-Side
30	99-5295	1	Chute-Side
31	3229-11	2	Screw-CARR
35	99-6349	1	Baffle



## Gearcase and Wheel Assembly

Ref	Part No.	Qty.	Description
1	93-0232	1	V-Belt
2	614447	2	Spacer-Axle Shaft
3	92-7746	2	Rear Height Adjustment Arm ASM
3:2	70-9760	1	Bushing
3:3	47-2900	1	Bushing
3:4	302-56	1	Fitting-Grease
4	65-4740	4	Washer-Thrust, Keyed
5	65-2720	4	Klipring-Locking
6	65-4710	2	Ring-Friction
7	66-6040	1	Key-Rocking, RH
8	66-6050	1	Key-Rocking, LH
9	99-6471	2	Wheel And Tire ASM
9:1		1	Wheel ASM
9:1:2	27-6250	2	Bushing
10	92-1057	2	Bolt-Shoulder
11	614426	2	Washer-Stepped
12	94-1609	2	Cover-Wheel
13	65-4720	2	Spring-Compression
14	65-4750	2	Gear-Pinion
15	65-4760	2	Washer-Clutch
16	65-4730	2	Washer-Arm, Pivot
17	603773	2	Nut
18	92-1004	2	Rear Spring Arm ASM
19	32144-85	2	Screw-HWH

Ref	Part No.	Qty.	Description
20	100-4366	1	Cover-Smart Wheel
21	100-1519	1	Label-Wheel, Smart
22	92-1008	2	Knob-Lever, Height Adjustment

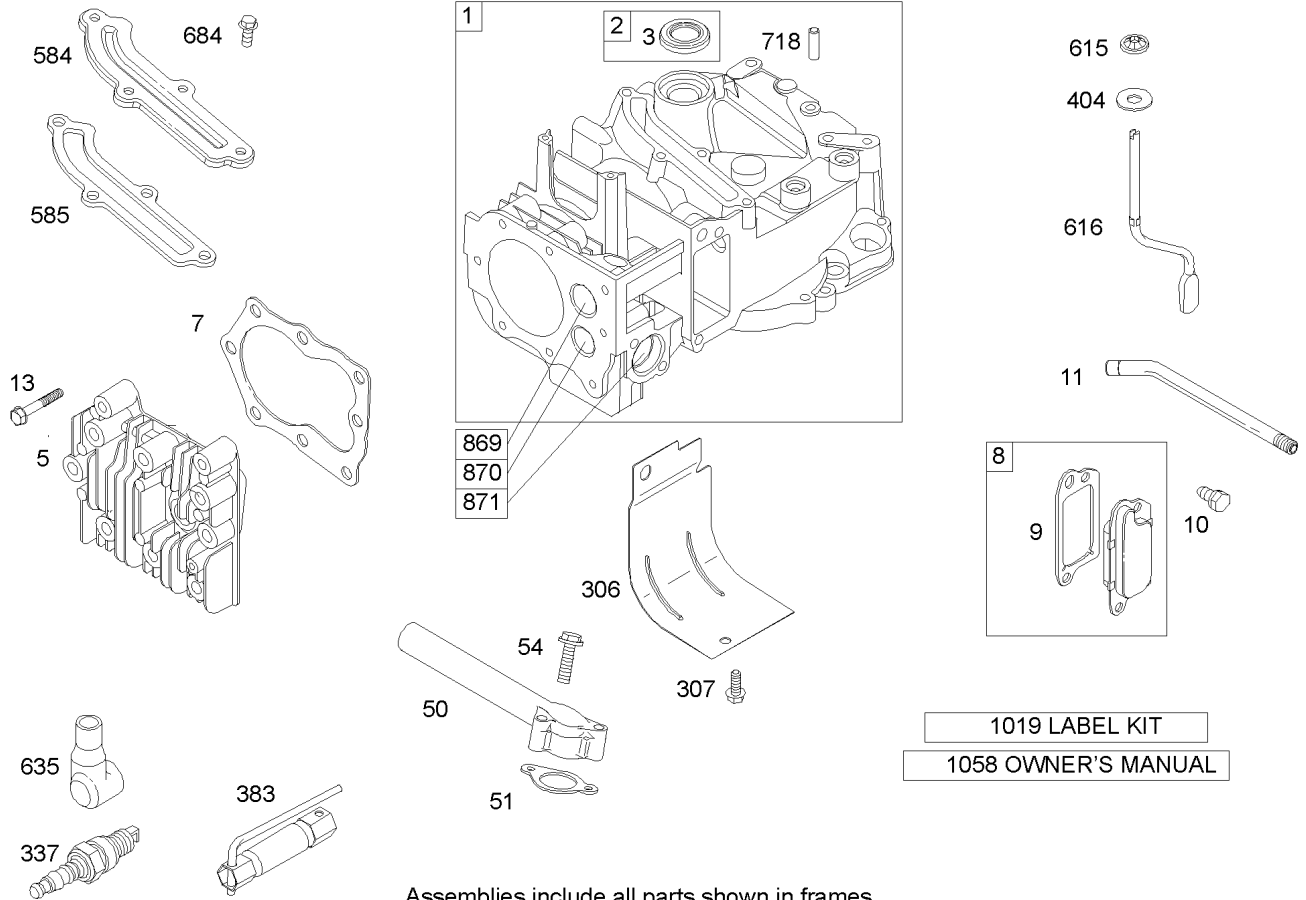


## Handle Assembly

Ref	Part No.	Qty.	Description
1	104-1013	1	Guard-Cable
2	614643-05	1	Handle-Lower
3	106-8349	1	Cable-Brake
4	3296-73	2	Nut-Lock, NI
5	106-8331	1	Anchor-Cable
6	106-8330	1	Guide-Rope
7	105-6841	1	Guide-RH
8	106-8327-05	1	Handle-Upper
9	104-8690	1	Spring-Torsion
10	104-8678	1	Handle-Control
11	107-3762	1	Decal-Handle
12	104-8679-03	1	Bail-Brake
13	99-1588	1	Bar-Control, Traction
14	99-1589	1	Lever-Traction
15	105-6842	1	Guide-LH
16	95-4453	1	Screw
17	92-7729	1	Anchor-Cable, Upper
18	3256-1	2	Washer-Flat
19	108-8162	2	Knob-Locking
20	614697	2	Screw
21	105-1844	1	Cable-Traction
22	93-7380	1	Anchor-Cable
23	3256-23	1	Washer-Flat





Assemblies include all parts shown in frames.

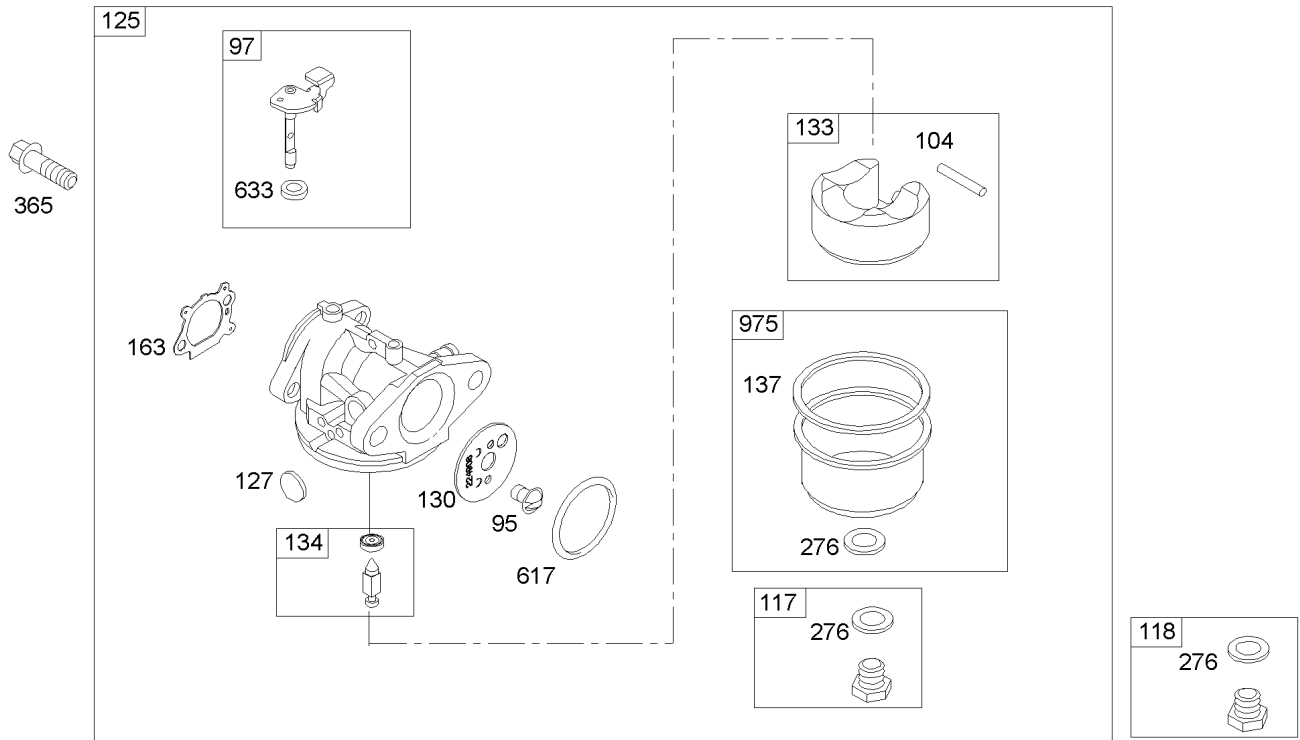
## Cylinder Assembly Briggs and Stratton 122K02-0172-E1

Ref	Part No.	Qty.	Description
1	697322	1	Cylinder ASM
2	399269	1	Bushing/Seal Kit
3	299819	1	Seal-Oil
5	691160	1	Head-Cylinder
7	692249	1	Gasket-Head, Cylinder
8	695250	1	Breather ASM
9	699472	1	Gasket-Breather
10	691125	1	Screw
11	691781	1	Tube-Breather
13	690912	1	Screw
50	497465	1	Manifold-Intake
51	272199	1	Gasket-Intake
54	691650	1	Screw
306	690450	1	Shield-Cylinder
307	690345	1	Screw
337	802592	1	Plug-Spark
383	89838	1	Wrench-Plug, Spark
404	690272	1	Washer
584	697734	1	Cover-Passage, Breather
585	691879	1	Gasket-Passage, Breather
615	690340	1	Retainer-Shaft, Governor
616	698801	1	Crank-Governor
635	66538	1	Boot-Plug, Spark
684	690345	1	Screw

Ref	Part No.	Qty.	Description
718	690959	1	Pin-Locating
869	691155	1	Seat-Valve (Intake)
870	690380	1	Seat-Valve (Exhaust)
871	262001	1	Bushing-Guide (Exhaust)
6	63709	1	Bushing-Guide (Intake)
1019	494256	1	Label Kit
1058	275177	1	Manual-Owner's





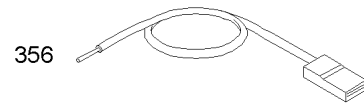
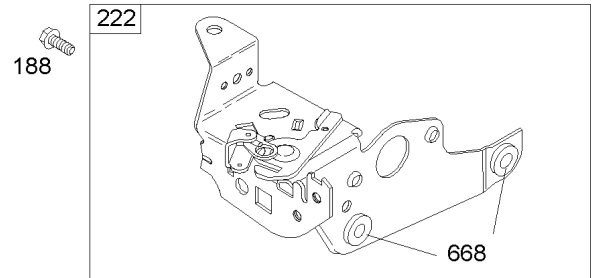
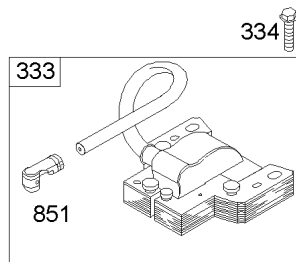
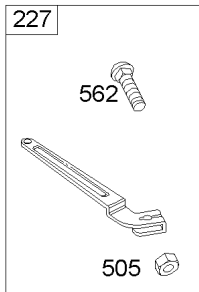
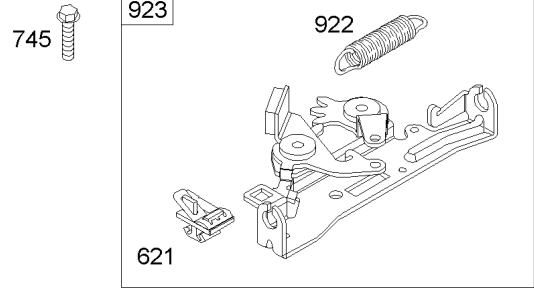
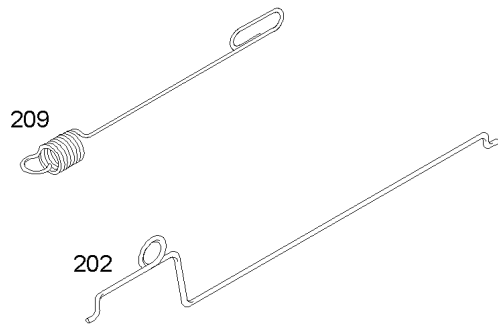


Assemblies include all parts shown in frames.

## Carburetor Assembly Briggs and Stratton 122K02-0172-E1

Ref	Part No.	Qty.	Description
⑥95	691636	1	Screw
⑥97	696565	1	Shaft-Throttle
④⑥104	691242	1	Pin-Hinge, Float
⑥117	498978	1	Jet-Main (Standard)
⑥118	494870	1	Jet-Main (High Altitude)
⑥125	498170	1	Carburetor
④⑥127	694468	1	Plug-Welch
⑥130	696564	1	Valve-Throttle
⑥133	398187	1	Float-Carburetor
④⑥134	398188	1	Needle/Seat Kit
④⑤137	693981	1	Gasket-Bowl, Float
⑥			
③④163	272653	1	Gasket-Cleaner, Air
⑤⑥			
④⑤276	271716	1	Washer-Sealing
⑥			
⑥365	692524	1	Screw
④⑤617	270344	1	Seal-O Ring
⑥			
④⑤633	691321	1	Seal-Shaft, Choke/Throttle
⑥			
⑥975	493640	1	Bowl-Float



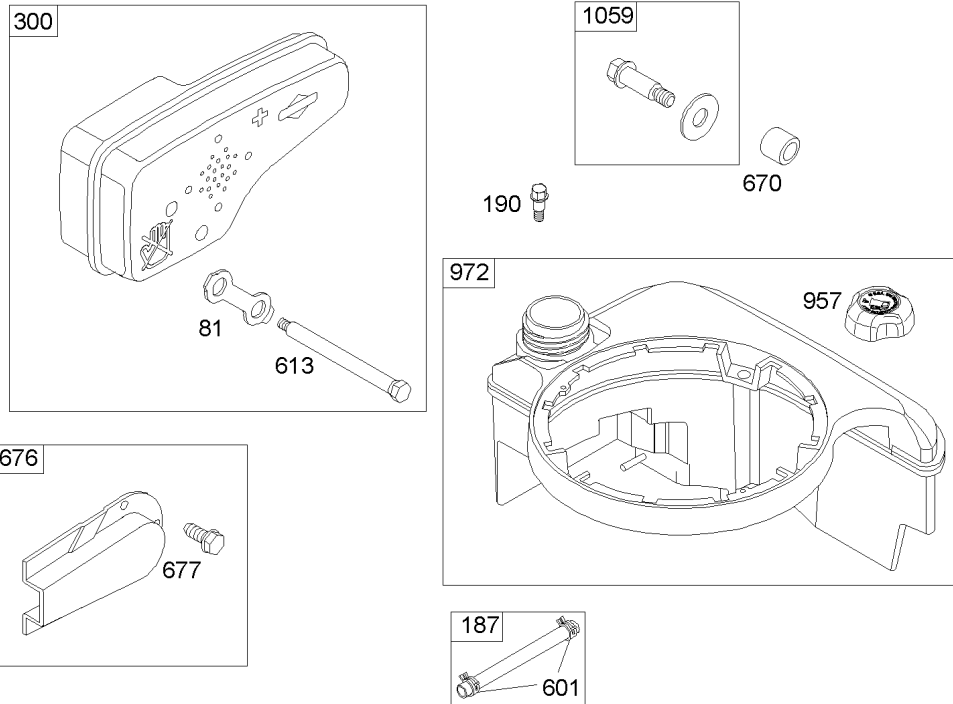


Assemblies include all parts shown in frames.

## Governor Assembly Briggs and Stratton 122K02-0172-E1

Ref	Part No.	Qty.	Description
⑥188	693399	1	Screw
⑥202	691829	1	Link-Governor, Mechanical
⑥209	691852	1	Spring-Governor
⑥222	692467	1	Bracket-Control
⑥227	690783	1	Lever-Control, Governor
⑥333	802574	1	Armature-Magneto
⑥334	691061	1	Screw
⑥356	692390	1	Wire-Stop
⑥505	691251	1	Nut
⑥562	691119	1	Screw
⑥621	692310	1	Switch-Stop
⑥668	493823	1	Spacer
⑥745	691648	1	Screw
⑥851	493880	1	Terminal-Spark Plug
⑥922	691831	1	Spring-Brake
⑥923	691994	1	Brake ASM

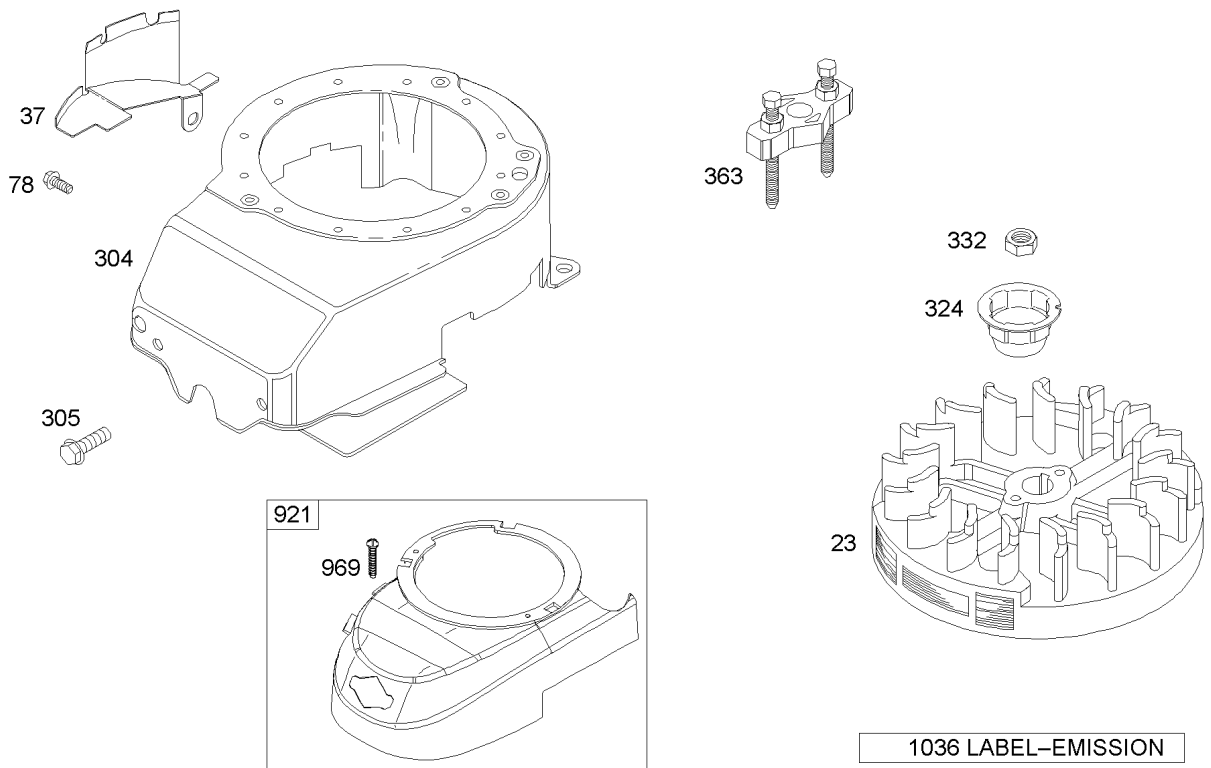
--	--	--	--



Assemblies include all parts shown in frames.

## Muffler and Fuel Tank Assembly Briggs and Stratton 122K02-0172-E1

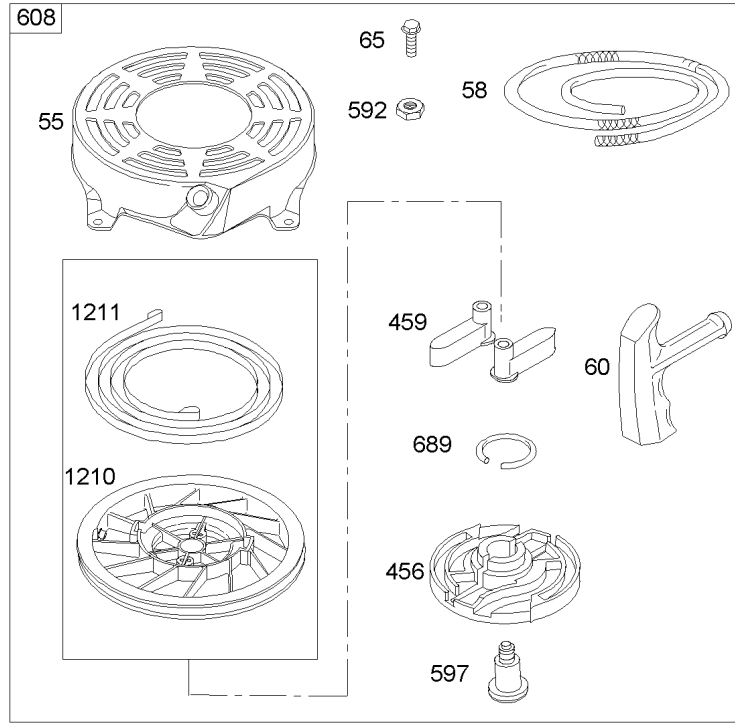
Ref	Part No.	Qty.	Description
81	691740	1	Lock-Screw, Muffler
187	691050	1	Line-Fuel (Cut To Required Length)
190	690940	1	Screw
300	692038	1	Muffler
601	95162	1	Clamp-Hose
613	691340	1	Screw
670	692294	1	Spacer-Tank, Fuel
676	493871	1	Deflector-Muffler
677	690661	1	Screw
957	692046	1	Cap-Tank, Fuel
972	699374	1	Tank-Fuel
1059	692311	1	Screw/Washer Kit



Assemblies include all parts shown in frames.

## Blower Housing Assembly Briggs and Stratton 122K02-0172-E1

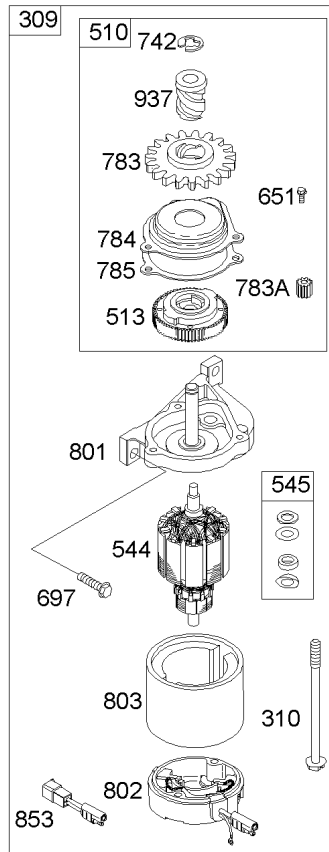
Ref	Part No.	Qty.	Description
⑥23	691987	1	Flywheel
⑥37	694086	1	Guard-Flywheel
⑥78	691108	1	Screw
⑥304	493293	1	Housing-Blower
⑥305	691108	1	Screw
⑥324	695161	1	Cup/Screen ASM
⑥332	690662	1	Nut
⑥363	19069	1	Puller-Flywheel
⑥921	790036	1	Cover-Housing, Blower
⑥969	691138	1	Screw
⑥1036	697457	1	Label-Emission



Assemblies include all parts shown in frames.

## Recoil Starter Assembly Briggs and Stratton 122K02-0172-E1

Ref	Part No.	Qty.	Description
655	691421	1	Housing-Starter, Rewind
658	697316	1	Rope-Starter (Cut To Required Length)
660	281434	1	Grip-Rope, Starter
665	690837	1	Screw
6456	692299	1	Plate-Friction, Pawl
6459	281505	1	Ratchet-Pawl
6592	690800	1	Nut
6597	691696	1	Screw
6608	497680	1	Starter-Rewind
6689	691855	1	Spring-Friction
61210	498144	1	Pulley/Spring ASM
61211	498144	1	Pulley/Spring ASM

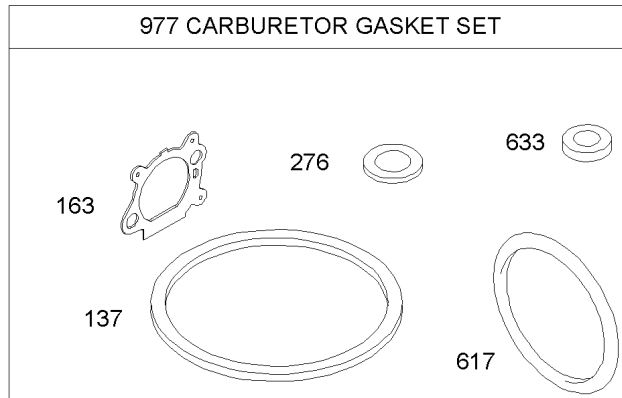
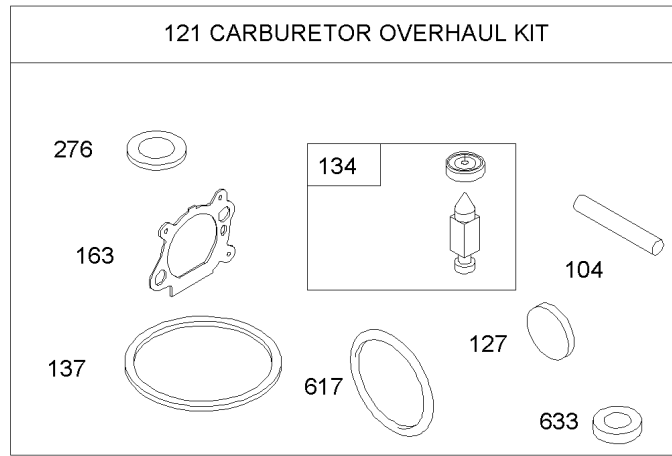


Assemblies include all parts shown in frames.

## Electric Starter Assembly Briggs and Stratton 122K02-0172-E1

Ref	Part No.	Qty.	Description				
309	695550	1	Motor-Starter				
310	692327	1	Bolt				
510	494147	1	Drive-Starter				
513	692358	1	Clutch-Drive				
544	690786	1	Armature-Starter				
545	492919	1	Washer Set				
651	690345	1	Screw				
697	691127	1	Screw				
742	93941	1	Retainer-E Ring				
783	691918	1	Gear-Pinion				
783A	691269	1	Gear-Pinion				
784	692341	1	Cover-Gear, Starter				
785	692352	1	Gasket-Cover, Starter				
801	690782	1	Cap-Drive				
802	695267	1	Cap-End				
803	695266	1	Housing-Starter				
853	695268	1	Adapter-Wire				
937	691325	1	Spline-Starter				





Assemblies include all parts shown in frames.

## Carburetor Overhaul Kit Assembly Briggs and Stratton 122K02-0172-E1

Ref	Part No.	Qty.	Description
4 6 104	691242	1	Pin-Hinge, Float
6 121	498260	1	Carburetor Overhaul Kit
4 6 127	694468	1	Plug-Welch
4 6 134	398188	1	Needle/Seat Kit
4 5 137	693981	1	Gasket-Bowl, Float
6			
3 4 163	272653	1	Gasket-Cleaner, Air
6			
4 5 276	271716	1	Washer-Sealing
6			
3 4 617	270344	1	Seal-O Ring
5 6			
4 5 633	691321	1	Seal-Shaft, Choke/Throttle
6			
6 977	498261	1	Carburetor Gasket Set

## NOTES

# NOTES

