



Workman[®] 3300-D (2wd) and 4300-D (4wd) Liquid Cooled Diesel Utility Vehicles

Model No. 07213TC - 220000001 and up.

Model No. 07217TC - 220000001 and up.

Parts Catalog

Ordering Replacement Parts

To order replacement parts, please supply the part number, the quantity, and the description of each part desired.

Understanding Reference Numbers

Each identified part in an illustration has a reference number. The reference number for a part also appears in the parts list, along with other information about the part.

This catalog uses two special reference number formats, one to indicate parts in a service assembly and another to indicate the quantity of a given part in an illustration.

Service Assembly Reference Numbers

Parts in service assemblies have reference numbers in the form a:b. The a represents the reference number of the entire service assembly and the b represents a sequential number unique to each part within the service assembly.

For example, a wheel assembly might be identified by reference number 6, the tire by 6:1, the valve by 6:2, and the wheel by 6:3. When you order the assembly identified by reference number 6, you receive all parts identified by reference numbers 6:1, 6:2, and 6:3. However, you may also order any part individually. Reference numbers of this type appear in illustrations and in part lists.

Reference Numbers Indicating Quantity

In an illustration, if a reference number indicates more than one part, the reference number has the form nX y. The n represents the quantity of the part, the X is the multiplication symbol, and the y represents the reference number.

For example, in an illustration, the reference number 2X 37 means that two of the parts identified by reference number 37 are indicated.

Contents

Description	Page	Description	Page
Hood and Bumper Assembly	4	Engine Support Assembly	43
Operator Frame Assembly	5	Transaxle Assembly	44
Dash Panel Assembly	6	Case Assembly Transaxle Assembly No. 105-4180 (only on: 07213TC)	45
2 Wheel Drive Steering Assembly (only on: 07213TC)	8	Gear Shaft Assembly Transaxle Assembly No. 105-4180 (only on: 07213TC)	46
4 Wheel Drive Steering Assembly (only on: 07217TC)	9	Countershaft Assembly Transaxle Assembly No. 105-4180	47
Steering Arm Assembly (only on: 07217TC)	10	Shift Fork Assembly Transaxle Assembly No. 105-4180 (only on: 07213TC)	48
Brake and Accelerator Assembly	11	Differential Gear Assembly Transaxle Assembly No. 105-4180 (only on: 07213TC)	49
Master Cylinder Assembly No. 94-3800	12	Case Assembly Transaxle Assembly No. 105-4190 (only on: 07217TC)	50
Hydraulic Brake Assembly	13	Gear Shaft Assembly Transaxle Assembly No. 105-4190 (only on: 07217TC)	51
Clutch Linkage Assembly	14	Countershaft Assembly Transaxle Assembly No. 105-4190	52
Shroud and Seat Assembly	15	Shift Fork Assembly Transaxle Assembly No. 105-4190 (only on: 07217TC)	53
Roll-Over-Protection-System Assembly	17	Differential Gear Assembly Transaxle Assembly No. 105-4190 (only on: 07217TC)	54
2 Wheel Drive Front Wheel Assembly (only on: 07213TC)	18	Hydraulic Filter and Relay Assembly	55
RH Front Brake Assembly No. 87-3010 (only on: 07213TC)	19	Battery Assembly	56
LH Front Brake Assembly No. 87-3020 (only on: 07213TC)	20	Fuel Tank and Air Cleaner Assembly	57
Tie Rod Assembly (only on: 07213TC)	21	Air Cleaner Assembly No. 95-5805	58
4 Wheel Drive Front Wheel Assembly (only on: 07217TC)	22	Lift Valve Linkage Assembly	59
Front Differential Assembly No. 93-7054	23	Differential Lock and Parking Brake Assembly	60
Right Hand Tie Rod Assembly (only on: 07217TC)	24	Filter Assembly	61
Left Hand Tie Rod Assembly (only on: 07217TC)	25	Bi-directional Over Running Clutch Assembly (only on: 07217TC)	62
Center Console Assembly	26	Remote Hydraulic Assembly	63
Front Suspension Assembly	27	Valve Assembly No. 43-1710-01	64
2 Wheel Drive Front Control Arm Assembly (only on: 07213TC)	28	Remote Hydraulic Assembly	65
4 Wheel Drive Front Control Arm Assembly (only on: 07217TC)	29	Cylinder Assembly	67
Differential Drive Shaft Assembly No. 93-7116 (only on: 07217TC)	30	Crankshaft Assembly	68
Lift Valve and Cylinder Assembly	31	Cylinder Head Assembly	69
Hydraulic Valve Assembly No. 43-1950-03	32	Injection Pump Assembly	70
Hydraulic Gear Pump Assembly No. 87-5700	33	Camshaft Assembly	71
Rear Frame Assembly	34	Oil Pan Assembly	72
Rear Axle Assembly	35	Gear Cover Assembly	73
LH Rear Brake Assembly No. 93-7126	36	Gear Housing Assembly	74
RH Rear Brake Assembly No. 93-7125	37	Water Pump Assembly	75
Driveshaft Assembly No. 98-2918	38	Manifold Assembly	76
Radiator and Hydraulic Pump Assembly	39	Starter Motor and Alternator Assembly	77
Fan and Hydraulic Pump Drive Assembly	40	Starter Motor Assembly No. 110-2598	78
Tail Light and Fender Assembly	41	Alternator Assembly No. 99-9209	79
Engine Assembly	42	Gasket Assembly	80

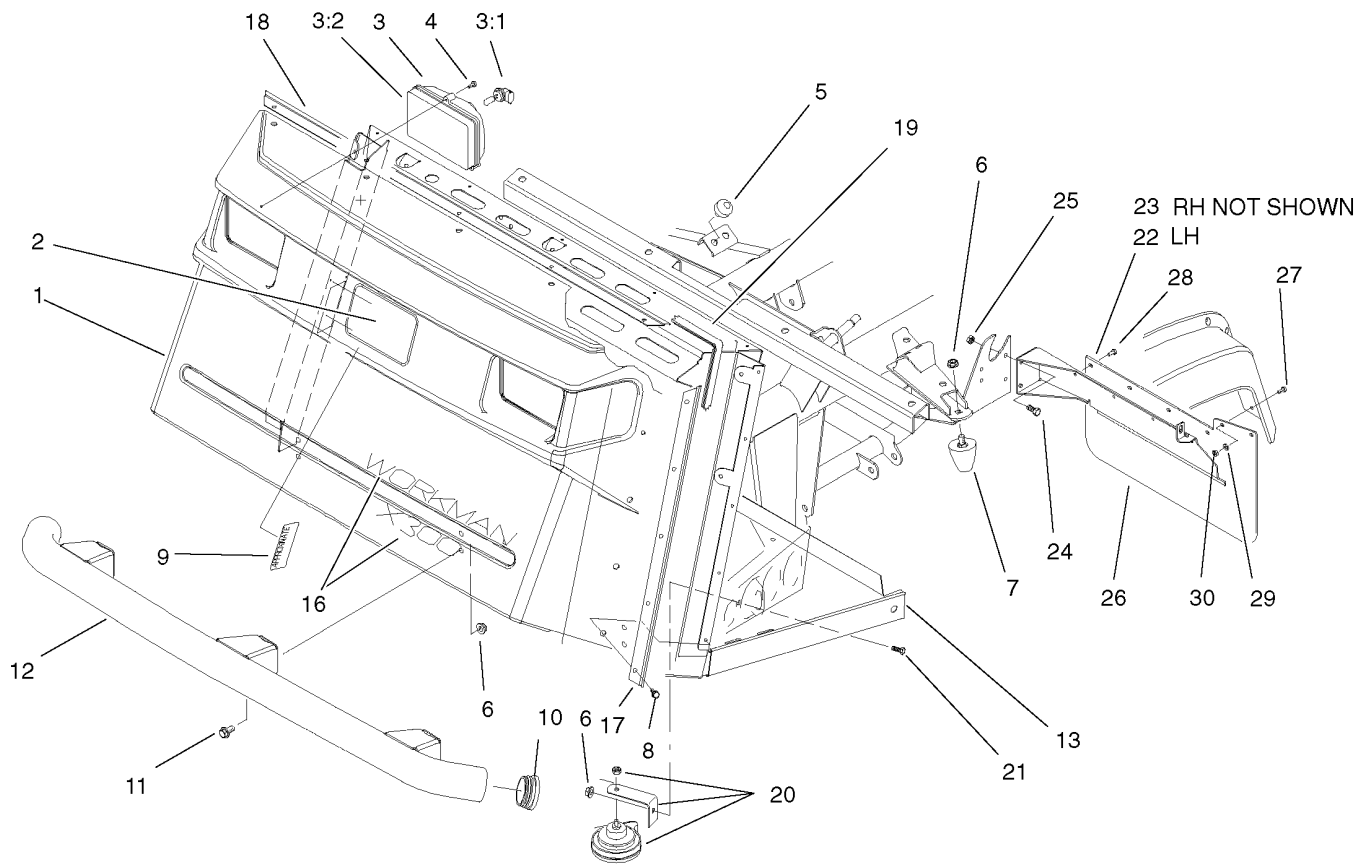
Part Description Abbreviations

Part descriptions in this catalog may include the following abbreviations.

AR.	as required	INC.	incorporated
ASM.	assembly	LH.	left hand
BBC.	blade brake clutch	NI.	nylon insert
CARR.	carriage	NPTF.	national pipe thread fine
DEG.	degrees	PFH.	phillips flat head
EXT.	external	PPH.	phillips pan head
FH.	flat head	PPHTF.	phillips pan head thread forming
GA.	gauge	PRH.	phillips round head
HF.	hex flange	PTH.	phillips truss head
HH.	hex head	PTO.	power-take-off
HHF.	hex head flange	RH.	right hand
HHFTF.	hex head flange thread forming	ROPS.	roll-over-protection-system
HJ.	hex jam	SFH.	slotted fillister head
HLH.	hex lag head	SHH.	slotted hex head
HOC.	height-of-cut	SHWH.	slotted hex washer head
HSBH.	hex socket button head	SPH.	slotted pan head
HSFH.	hex socket flat head	SQH.	square head
HSH.	hex socket head	SRH.	slotted round head
HWH.	hex washer head	STD.	standard
HWHTF.	hex washer head thread forming	TAP.	self tapping
HYD.	hydraulic	TTH.	torx truss head

Footnotes

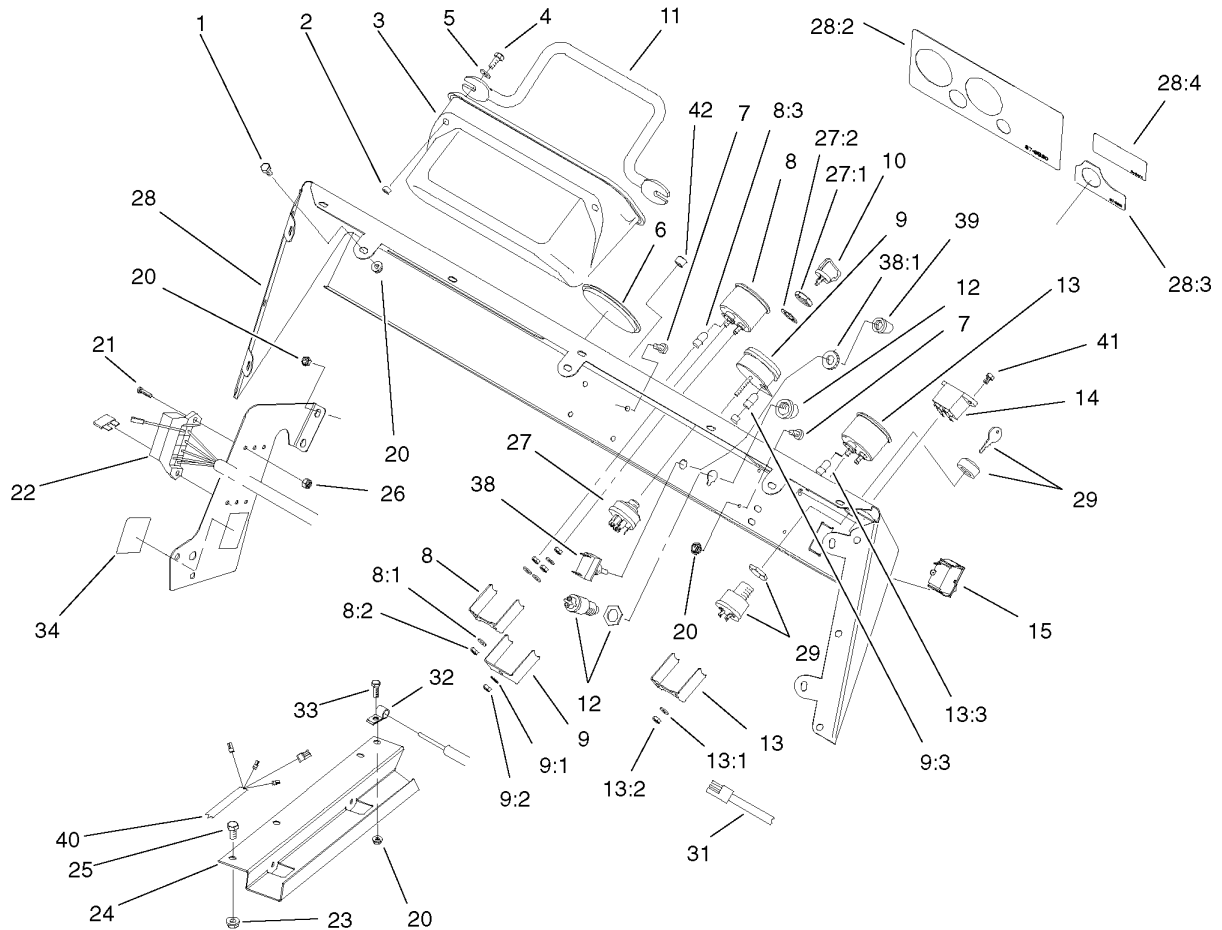
- ❶ Not serviced separately



Hood and Bumper Assembly

Ref	Part No.	Qty.	Description
1	87-0710	1	Hood-Front
2	62-5550	1	Decal
3	87-2120	2	Headlight
3:1	95-0909	1	Lamp-12 Volt
3:2	87-6330	1	Lens-Headlight
4	32104-88	6	Screw-HWH
5	87-2440	2	Bumper-Rubber
6	3290-357	9	Nut-HHF, Whiz
7	26-0071	2	Snubber-Rubber
8	87-6620	15	Screw
9	94-1224	1	Decal-Load Rating (Only On: 07213Tc)
9	94-1225	1	Decal-Load Rating (Only On: 07217Tc)
10	2410-42	2	Cap-End
11	3234-1	6	Screw-HHF
12	87-4070-03	1	Bumper ASM
13	105-4218	1	Operator Frame ASM (Only On: 07213Tc)
13	105-4227	1	Operator Frame ASM, 4Wd (Only On: 07217Tc)
16	87-9130	1	Decal-Workman (Only On: 07217Tc)
16	87-6070	1	Decal-Workman (Only On: 07213Tc)
17	87-8120-03	2	Bracket-Trim, Side

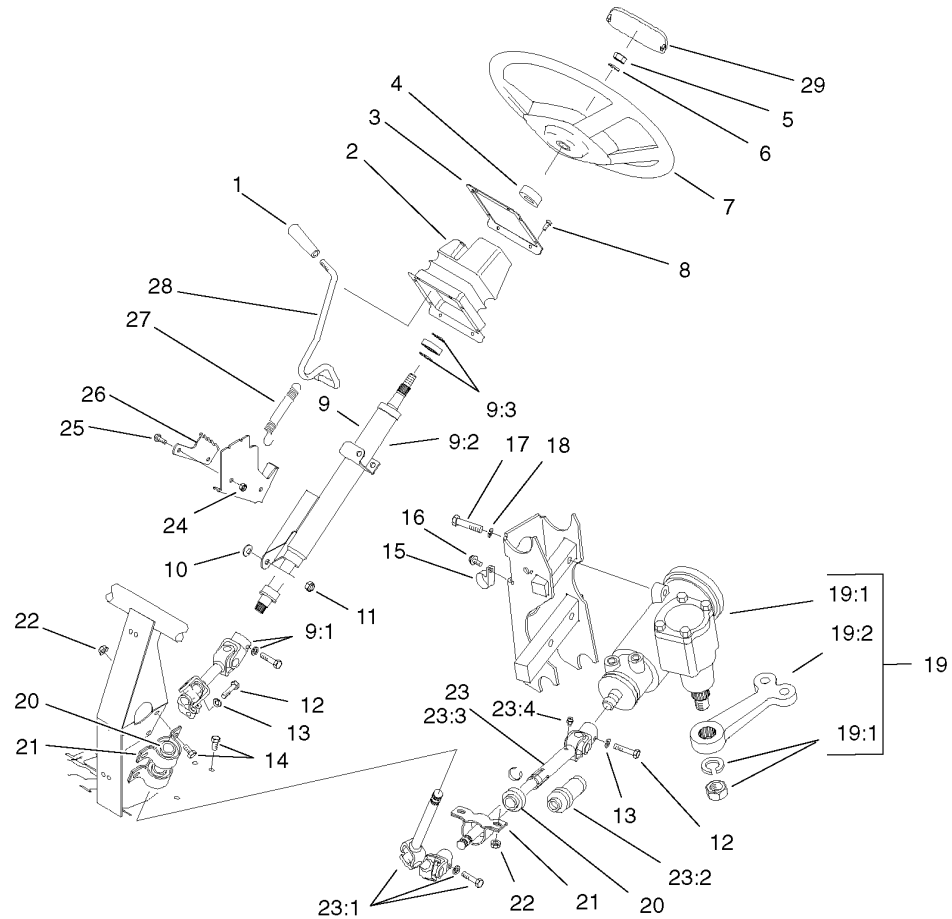
Ref	Part No.	Qty.	Description
18	87-8130-03	1	Bracket-Trim, Top
19	87-8160	1	Trim-Lok
20	116749	1	Horn
21	323-4	1	Screw-HH
22	94-3838-03	1	Bracket-Mudflap, LH
23	94-3839-03	1	Bracket-Mudflap, RH
24	321-4	4	Screw-HH
25	32128-33	4	Nut-HF
26	94-3841	2	Mudflap
27	3250-13	4	Screw-PPH
28	146489	8	Rivet
29	3256-61	4	Washer-Flat
30	3296-2	4	Nut-Lock



Dash Panel Assembly

Ref	Part No.	Qty.	Description
1	321-2	7	Screw-HH
2	32148-6	2	Insert-Nut
3	87-3780	1	Box-Glove
4	321-5	2	Screw-HH
5	3256-22	2	Washer-Flat
6	2410-35	1	Plug-Cap
7	3274-31	4	Screw-HSBH
8	105-2540	1	Gauge-Temp, Gas
8:1	3254-1	3	Washer-Lock, Int
8:2	3217-27	3	Nut-Hex
8:3	105-9265	1	Bulb And Lamp ASM
9	98-9306	1	Light-Warning
9:1	3254-1	1	Washer-Lock, Int
9:2	3217-27	1	Nut-Hex
9:3	105-9264	4	Bulb And Lamp ASM
10	63-8360	1	Key-Ignition
11	105-1758	1	Handle-Grab
12	18-2830	1	Button-Horn
13	98-9339	1	Gauge-Fuel
13:1	3254-1	3	Washer-Lock, Int
13:2	3217-27	3	Nut-Hex
13:3	105-9265	1	Bulb And Lamp ASM
14	75-6820	1	Hourmeter
15	87-3790	1	Switch-Light

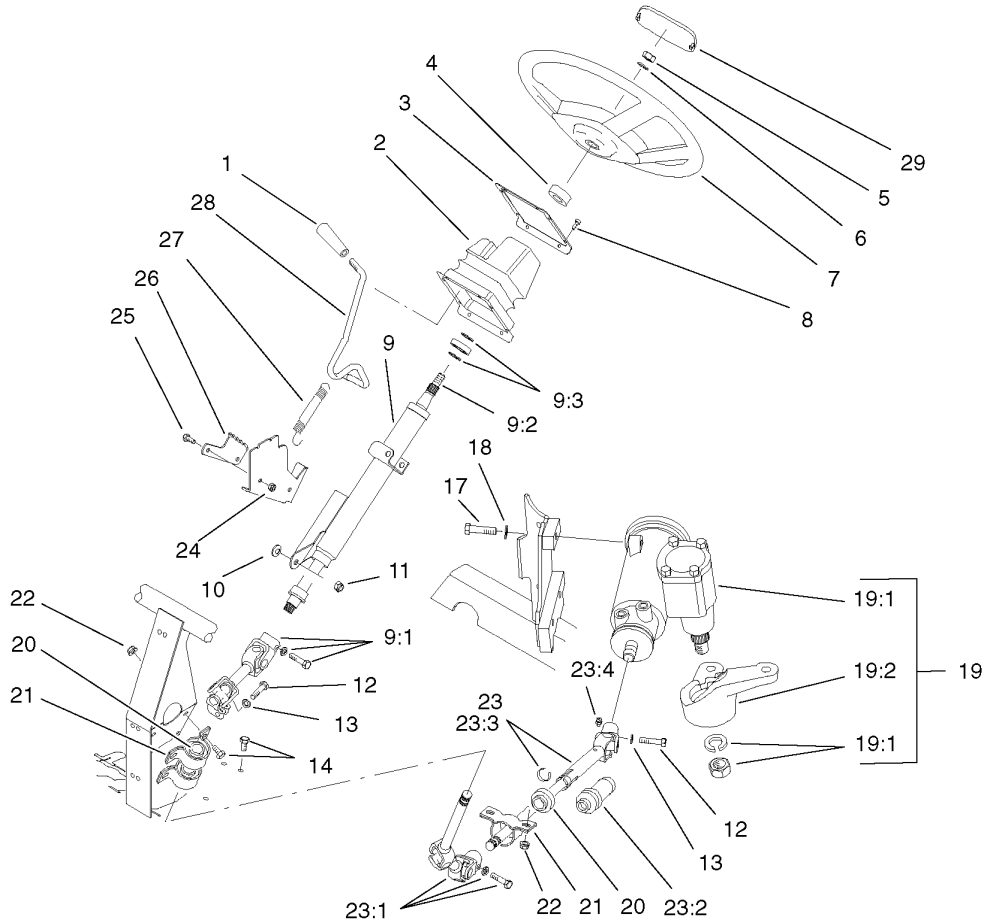
Ref	Part No.	Qty.	Description
20	32128-33	12	Nut-HF (Only On: 07213Tc)
20	32128-33	11	Nut-HF (Only On: 07217Tc)
21	3250-13	2	Screw-PPH
22	105-1792	1	Harness-Wire, Front Right
23	32128-20	3	Nut-HF
24	93-7094-03	1	Cover-Harness, Wire
25	322-2	3	Screw-HH
26	3296-2	2	Nut-Lock
27	27-2360	1	Switch-Key
27:1	218-446	1	Nut-Hex
27:2	218-447	1	Washer-Lock
28	105-4246	1	Dash Panel ASM, Diesel
28:2	93-9445	1	Decal-Dash
28:3	105-7971	1	Decal-Supervisor
28:4	93-7252	1	Decal
29	94-5245	1	Switch-Key
31	105-1791	1	Harness-Wire, Front Left
32	2412-89	1	Clamp (Only On: 07213Tc)
33	321-4	1	Screw-HH (Only On: 07213Tc)
34	93-9851	1	Decal-Fuse Block
38	20-7150	1	Switch
38:1	218-497	1	Nut-Bulb
39	218-473	1	Boot-Switch
40	105-4151	1	Harness-Wire, Rear



2 Wheel Drive Steering Assembly (only on: 07213TC)

Ref	Part No.	Qty.	Description
1	233-39	1	Knob-Control
2	87-3460	1	Boot-Steering
3	87-4720-03	1	Plate-Boot, Steering
4	21-9260	1	Cover-Dust
5	3277-1	1	Nut-Hex
6	48-8070	1	Washer-Lock
7	87-3820	1	Wheel-Steering
8	32144-116	8	Tscrew-Crph
①9	87-3120	1	Strg Column/U-Joint
9:1	92-4154	1	U-Joint ASM
9:2	92-4153	1	Steering Column Shaft ASM
9:3	46-2210	2	Shim-Bearing, Front
10	3290-455	1	Washer-Belleville
11	3296-59	1	Nut-Lock, NI
12	48-7740	2	Screw
13	3253-4	2	Washer-Lock
14	322-2	6	Screw-HH
15	2412-105	2	Clamp-Tube, Double
16	32144-10	2	Screw-HWH
17	93-7145	3	Bolt-HH
18	87-7480	3	Washer
①19		1	Steering Gear / Pitman ASM
19:1	105-9524-03	1	Gear-Steering, 2Wd
19:2	87-0370-03	1	Arm-Pitman

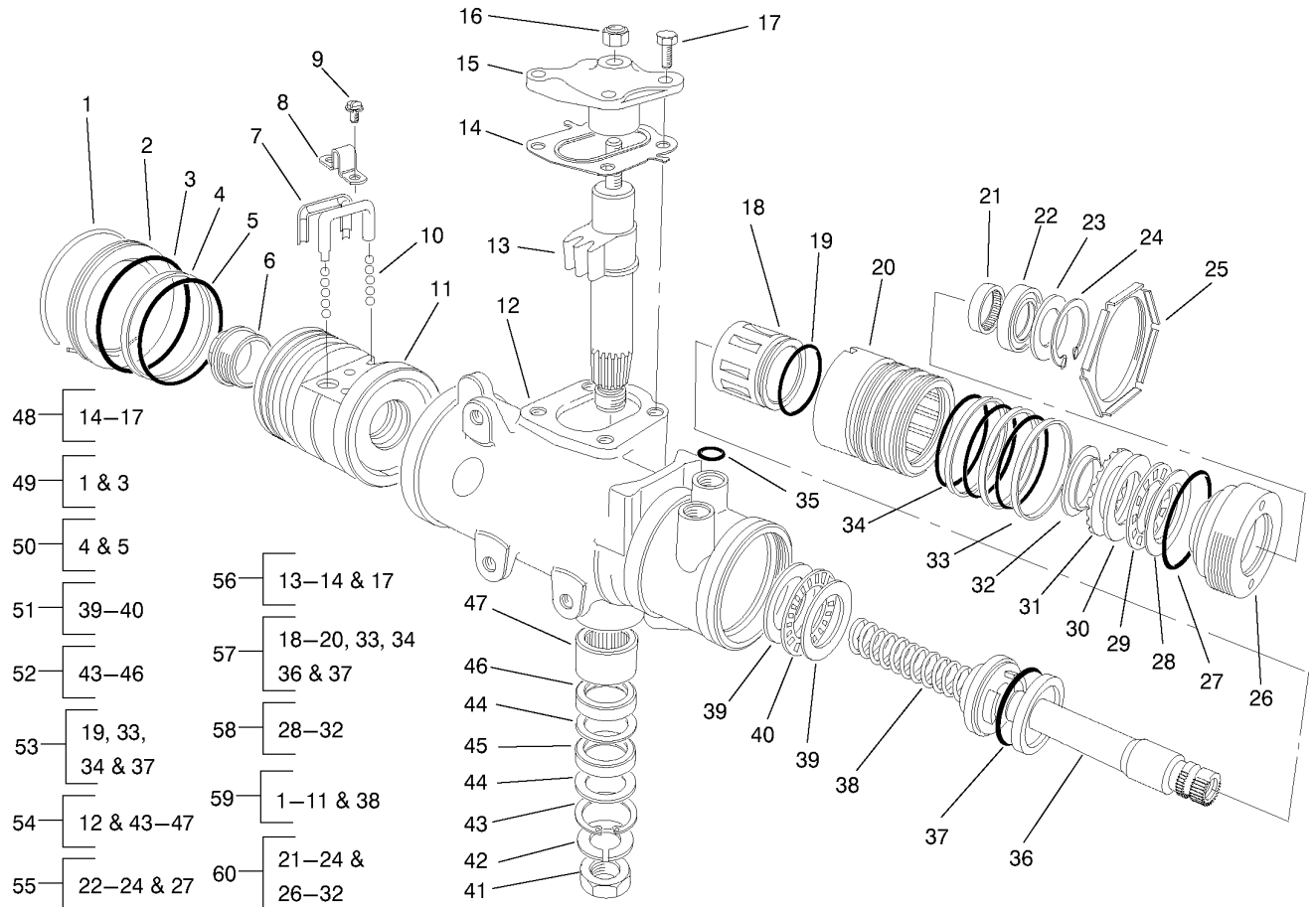
Ref	Part No.	Qty.	Description
20	87-2280	3	Bearing-Plastic
21	87-3250	3	Block-Pillow
22	32128-20	6	Nut-HF
23	87-3100	1	Shaft-Slip, U-Joint
23:1	92-4155	1	Upper Slip Joint ASM
23:2	92-4157	1	Seal-Boot
23:3	92-4156	1	Lower Slip Joint ASM
23:4	302-5	1	Fitting-Grease
24	3296-42	2	Nut-Lock, NI
25	321-3	2	Screw-HH
26	87-3610	1	Bracket-Detent
27	65-5360	1	Extension-Spring
28	87-3130	1	Lever-Tilt
29	87-3750	1	Cover-Wheel, Steering



4 Wheel Drive Steering Assembly (only on: 07217TC)

Ref	Part No.	Qty.	Description
1	233-39	1	Knob-Control
2	87-3460	1	Boot-Steering
3	87-4720-03	1	Plate-Boot, Steering
4	21-9260	1	Cover-Dust
5	3277-1	1	Nut-Hex
6	48-8070	1	Washer-Lock
7	87-3820	1	Wheel-Steering
8	32144-116	8	Tscrew-Crph
● 9		1	Steering Column / U-Joint
9:1	92-4154	1	U-Joint ASM
9:2	92-4153	1	Steering Column Shaft ASM
9:3	46-2210	2	Shim-Bearing, Front
10	3290-455	1	Washer-Belleville
11	3296-59	1	Nut-Lock, NI
12	48-7740	2	Screw
13	3253-4	2	Washer-Lock
14	322-2	6	Screw-HH
17	93-7145	3	Bolt-HH
18	87-7480	3	Washer
● 19		1	Steering Gear/Pitman ASM
19:1	105-9538-01	1	Gear-Steering, 4Wd
19:2	87-9640-01	1	Arm-Pitman, 4Wd
20	87-2280	3	Bearing-Plastic
21	87-3250	3	Block-Pillow

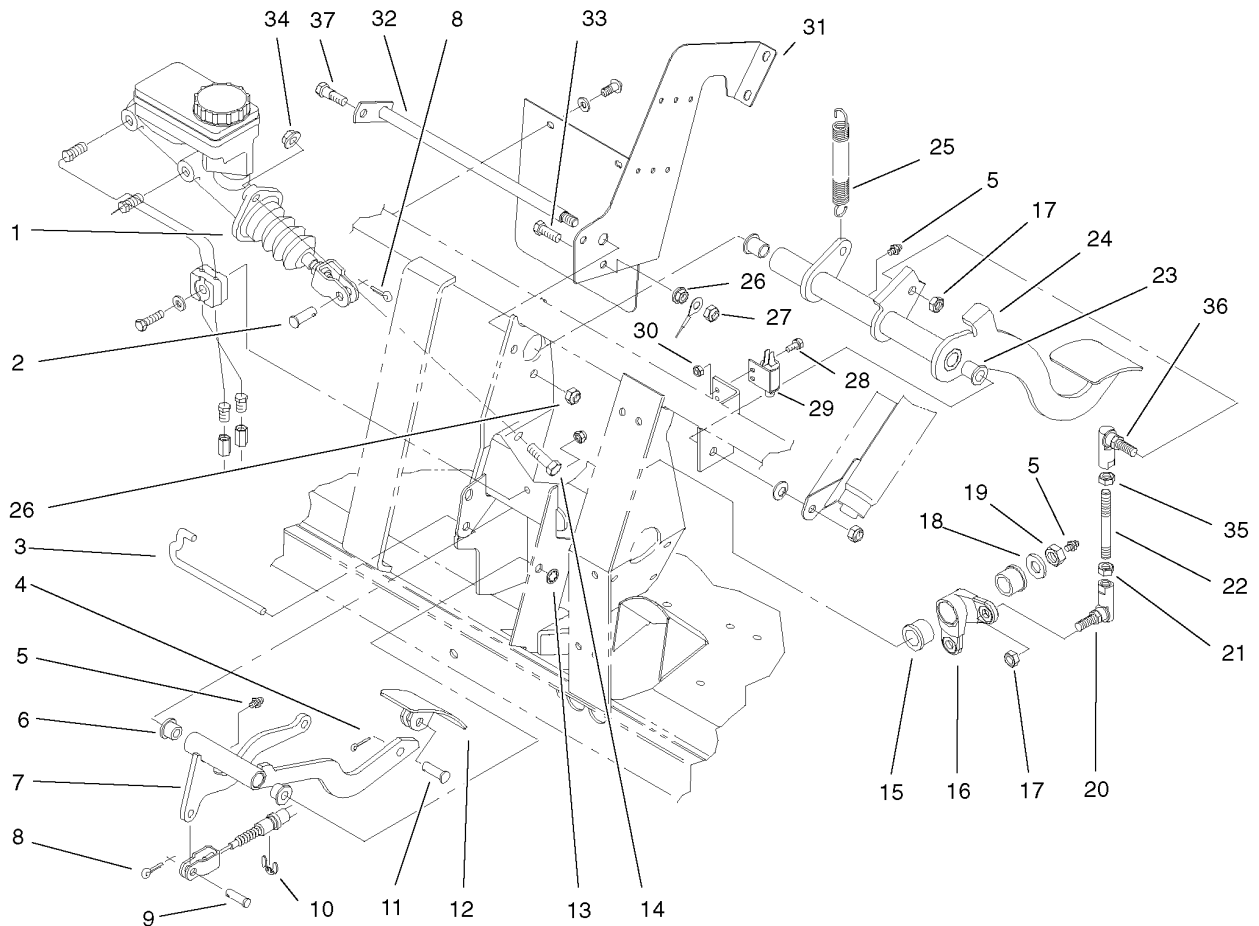
Ref	Part No.	Qty.	Description
22	32128-20	6	Nut-HF
23	87-9160	1	Slip U-Joint ASM
23:1	92-4155	1	Upper Slip Joint ASM
23:2	93-8988	1	Seal-Boot
23:3	93-8987	1	Lower Slip Joint ASM
23:4	302-5	1	Fitting-Grease
24	3296-42	2	Nut-Lock, NI
25	321-3	2	Screw-HH
26	87-3610	1	Bracket-Detent
27	65-5360	1	Extension-Spring
28	87-3130	1	Lever-Tilt
29	87-3750	1	Cover-Wheel, Steering



Steering Arm Assembly (only on: 07217TC)

Ref	Part No.	Qty.	Description
2	92-4165	1	Plug-Housing End
❶5		1	O-Ring-Rack Piston
6	18-4340	1	Plug-End, Rack Piston
7	92-4168	2	Return-Guide Ball
8	18-4270	1	Clamp-Ball Return
9	18-4260	2	Screw-Lockwasher ASM
10	18-5190	1	Recirculating Ball Kit
❶12		1	Housing-Steer Gear
14	28-8280	1	Seal Kit-Housing Cover
16	28-8220	1	Adjuster-Nut Lash
17	28-8210	4	Bolt-Flange Hex Hd
❶18		1	Valve-Spool
❶19		1	O-Ring-Spool Valve
❶20		1	Body-Valve
21	92-4169	1	Bearing-Needle
25	92-4159	1	Nut
27	28-8200	1	Seal-O Ring
❶30		1	Race-Bearing, Thrust
35	39-7310	3	Seal-O Ring
41	39-7440	1	Nut-Pitman Arm
42	39-7420	1	Washer-Lock
47	92-4170	1	Bearing-Pitman Shaft
48	92-4161	1	Cover Kit
49	28-8270	1	End Plug Seal Kit

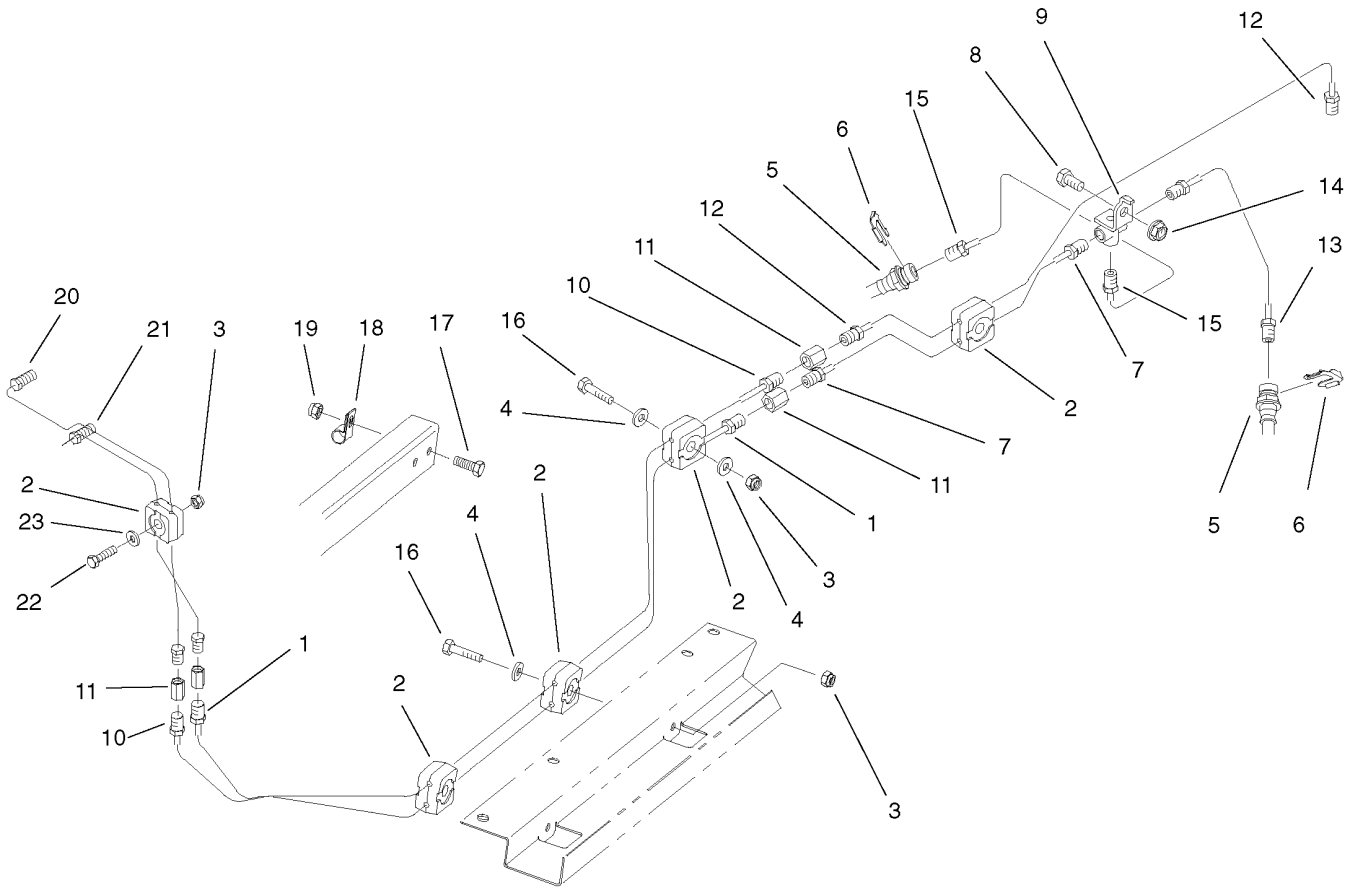
Ref	Part No.	Qty.	Description
50	28-8290	1	Seal Kit
51	18-5180	1	Thrust Bearing Kit
52	98-2962	1	Seal Kit
53	18-5170	1	Valve Ring Seal Kit
54	92-4163	1	Housing ASM Kit
55	92-4167	1	Adjusting Plug Seal Kit
56	92-4162	1	Gear ASM Kit
57	92-4158	1	Steering Valve ASM
58	92-4160	1	Bearing ASM Kit
59	92-4166	1	Rack-Piston Nut ASM
60	92-4164	1	Adjusting Plug ASM Kit



Brake and Accelerator Assembly

Ref	Part No.	Qty.	Description
1	94-3800	1	Master Cylinder ASM
2	283-2	1	Pin-Clevis
3	87-2880	1	Shaft-Pedal, Accelerator
4	3272-6	1	Pin-Cotter
5	302-5	3	Fitting-Grease
6	256-259	2	Bushing-Flange
7	93-8961-03	1	Arm-Pedal
8	3272-10	2	Pin-Cotter
9	283-30	1	Pin-Clevis
10	32120-47	1	Ring-Retaining, External
11	283-85	1	Pin-Clevis
12	93-8969-03	1	Pedal
13	32151-56	1	Ring-Retaining, External
14	323-7	2	Screw-HH
15	256-247	2	Bushing-Flange
16	94-5223	1	Crank-Bell
17	3296-6	2	Nut-Lock
18	3256-26	1	Washer-Flat
19	3296-23	1	Nut-Lock, NI
20	68-3840	1	Joint-Ball, RH Threaded
21	3220-3	1	Nut-Hex, Jam
22	94-5299	1	Rod-Link, Straight
23	256-155	2	Bushing-Flange
24	93-8965-03	1	Brake Pedal ASM

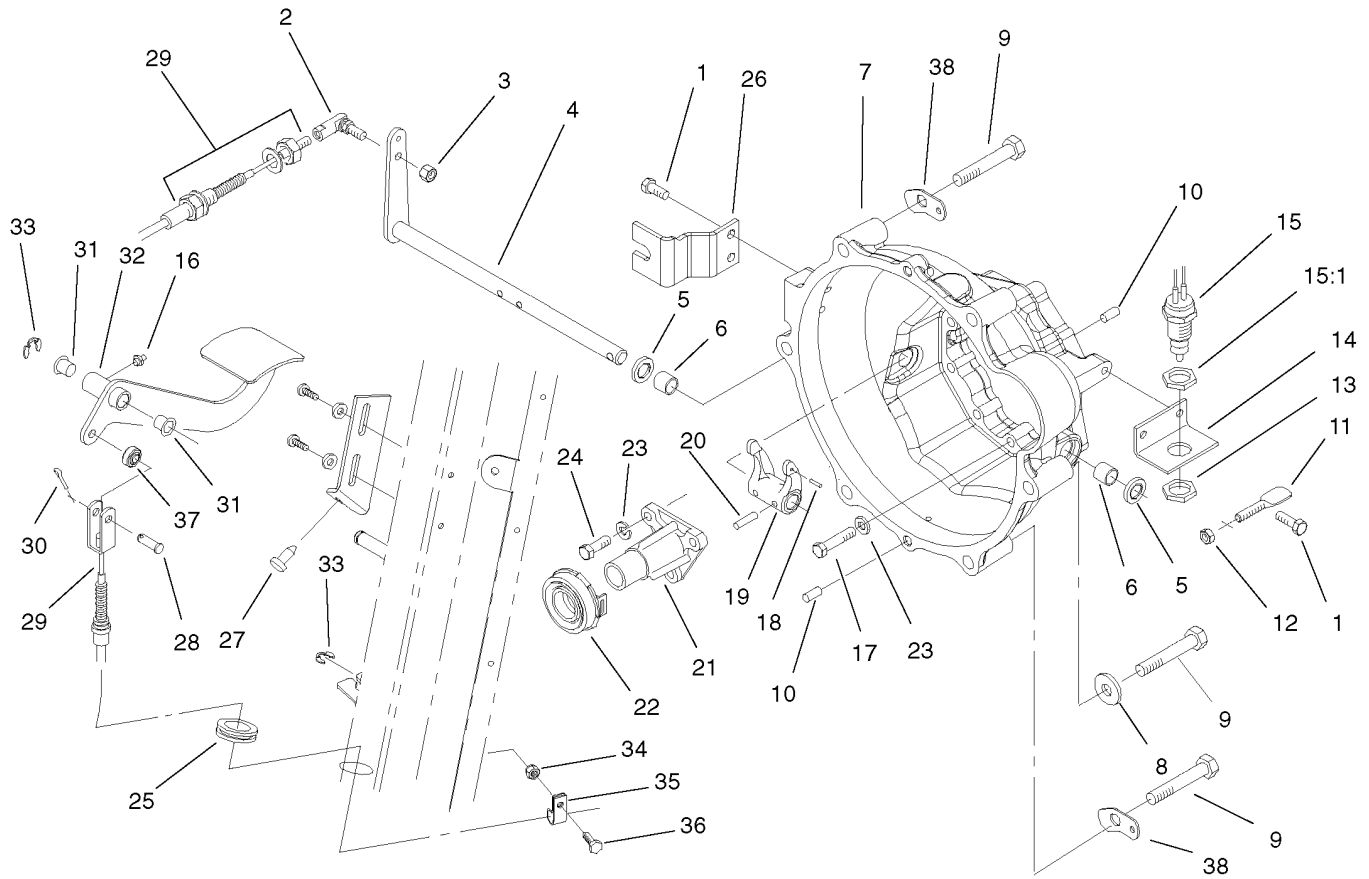
Ref	Part No.	Qty.	Description
25	76-9430-03	1	Spring-Extention
26	32128-20	2	Nut-HF
27	3296-29	1	Nut-Lock, NI
28	3290-321	2	Screw-HWH
29	55-7120	1	Switch-Brake, Parking
30	3296-2	2	Nut-Lock
31	94-3821-03	1	Plate-Center, Frame
32	95-7394	1	Brake Shaft ASM
33	322-5	1	Screw-HH
34	3290-357	2	Nut-HHF, Whiz
35	3220-16	1	Nut-Jam, LH
36	68-3841	1	Joint-Ball, LH Threaded
37	28-0540	1	Bolt-Shoulder



Hydraulic Brake Assembly

Ref	Part No.	Qty.	Description
1	94-3820	1	Tube-Brake, Front
2	87-7660	10	Clamp-Tube
3	3296-42	5	Nut-Lock, NI
4	3256-22	4	Washer-Flat
5	93-7123	2	Front Brake Hose ASM (Only On: 07213Tc)
5	93-7059	2	Front Brake Hose ASM (Only On: 07217Tc)
6	87-3580	2	Clip-Retainer
7	93-7085	1	Front Brake Tube ASM
8	322-2	1	Screw-HH
9	87-3560	1	Tee
10	94-3819	1	Tube-Brake, Rear
11	87-3570	4	Union
12	94-3842	1	Rear Brake Tube ASM
13	93-7082	1	LH Front Brake Tube ASM
14	32128-20	1	Nut-HF
15	93-7081	1	RH Front Brake Tube ASM
16	321-9	4	Screw-HH
17	321-4	1	Screw-HH (Only On: 07213Tc)
18	2412-89	1	Clamp (Only On: 07213Tc)
19	32128-33	1	Nut-HF (Only On: 07213Tc)
20	94-3814	1	Tube-Brake, Front
21	94-3815	1	Tube-Brake, Rear

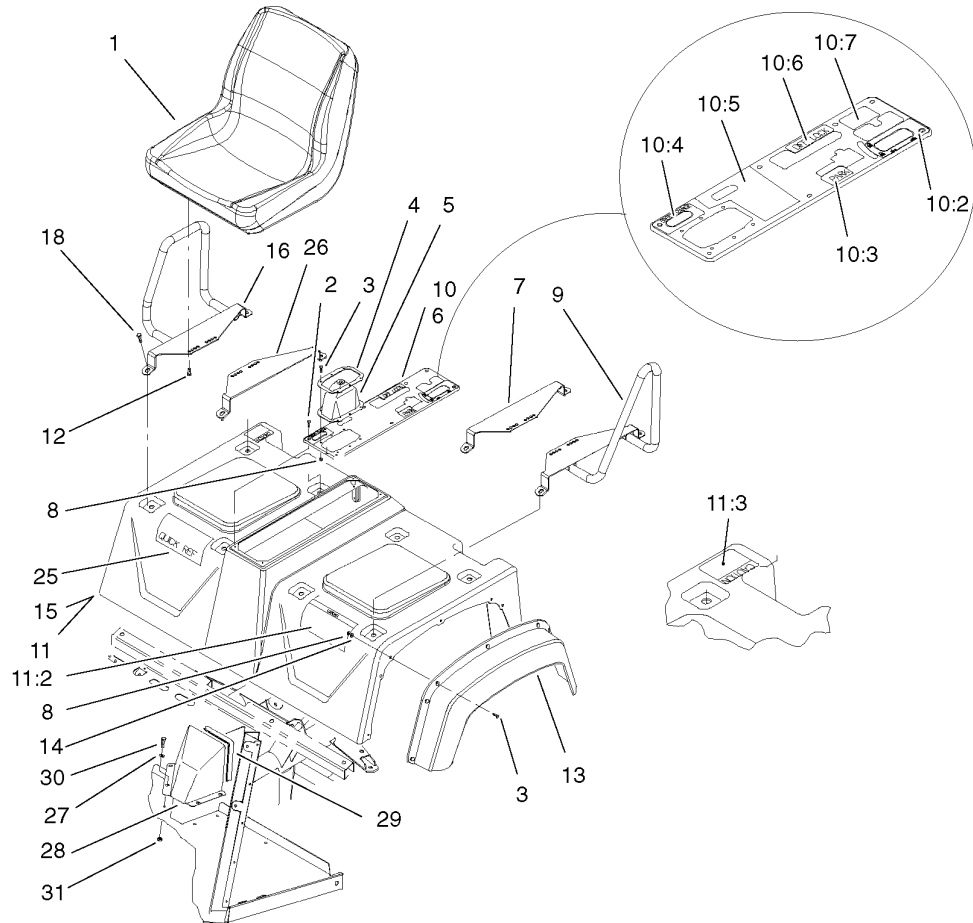
Ref	Part No.	Qty.	Description
22	321-9	1	Screw-HH
23	3256-22	1	Washer-Flat



Clutch Linkage Assembly

Ref	Part No.	Qty.	Description
1	33114-020	4	Screw-HH
2	2411-33	1	Balljoint-RH (W/Grommet)
3	3296-4	1	Nut-Lock
4	105-1702	1	Release Shaft ASM
5	87-1920	2	Seal-Oil
6	87-3770	2	Bushing-Housing, Bell
7	104-9249	1	Housing-Bell
8	3256-26	3	Washer-Flat
9	3215-2	6	Screw-HH
10	87-1910	4	Pin-Dowel
11	87-5360	1	Paddle-Clutch, Switch
12	3296-29	1	Nut-Lock, NI
13	3218-20	2	Nut-Jam
14	87-5350	1	Bracket-Clutch, Switch
15	87-5490	1	Switch-Clutch
15:1	3218-20	2	Nut-Jam
16	302-5	1	Fitting-Grease
17	33114-040	9	Screw-HH
18	32121-7	1	Pin-Roll, Slotted
19	87-5300	1	Fork-Clutch
20	32121-24	2	Pin-Spring
21	87-5320	1	Release-Guide
22	87-2100	1	Bearing-Out, Throw
23	42-9850	12	Washer-Lock, Spring

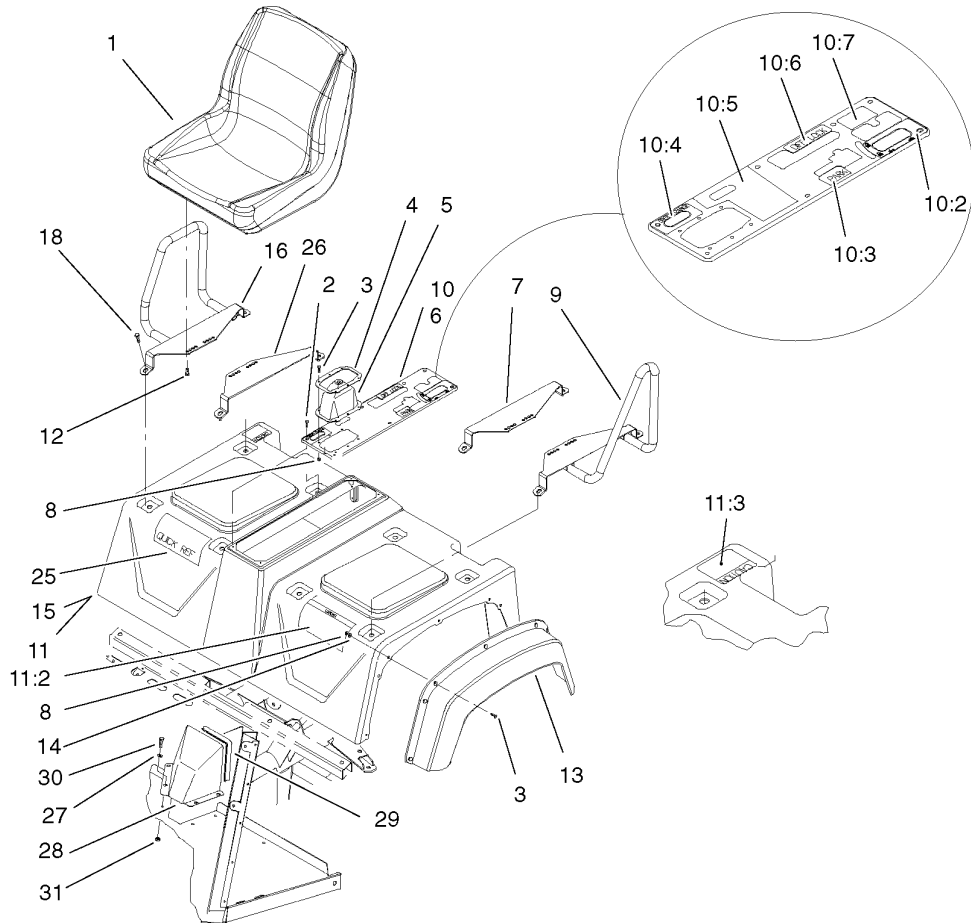
Ref	Part No.	Qty.	Description
24	33114-025	3	Screw-HH
25	240-5	1	Grommet
26	105-1784	1	Bracket-Clutch
27	87-8460	1	Bumper-Rubber
28	283-75	1	Pin-Clevis
29	105-4195	1	Cable-Clutch, 4Wd (Only On: 07217Tc)
29	105-4194	1	Cable-Clutch, 2Wd (Only On: 07213Tc)
30	3272-10	1	Pin-Cotter
31	256-156	2	Bushing-Flange
32	99-1199-03	1	Clutch Pedal ASM
33	32120-47	2	Ring-Retaining, External
34	32128-33	1	Nut-HF
35	2412-89	1	Clamp
36	321-4	1	Screw-HH
37	99-1202	1	Rod-End
38	87-6410	3	Bracket-Harness



Shroud and Seat Assembly

Ref	Part No.	Qty.	Description
1	99-7281	2	Seat
2	32144-52	6	Screw-PPH
3	3250-13	20	Screw-PPH
4	87-3760-03	1	Plate-Boot, Shift
5	87-8620	1	Shift Boot ASM
6	87-8070-03	1	Cover-Console (Only On: 07217Tc)
7	105-1704-03	1	Strap-Seat Pad, RH
8	3296-2	20	Nut-Lock
9	105-1710	1	LH Seat Strap ASM
10	105-4244	1	Console Cover ASM
10:2	93-9444	1	Decal-Hydraulic Pump
10:3	93-9443	1	Decal-Parking Brake
10:4	93-9857	1	Decal-Axle Range
10:5	93-9861	1	Decal-PTO
10:6	93-9430	1	Decal-Differential Block
10:7	93-9866	1	Decal-Remote Hydraulics
11	105-4245	1	2Wd Front Shroud ASM (Only On: 07213Tc)
11	105-4248	1	4Wd Front Shroud ASM (Only On: 07217Tc)
11:2	93-9860	1	Decal-Danger
11:3	93-9448	1	Decal-Fuel
12	33114-016	8	Screw-HH
13	87-9480	2	Fender-Front

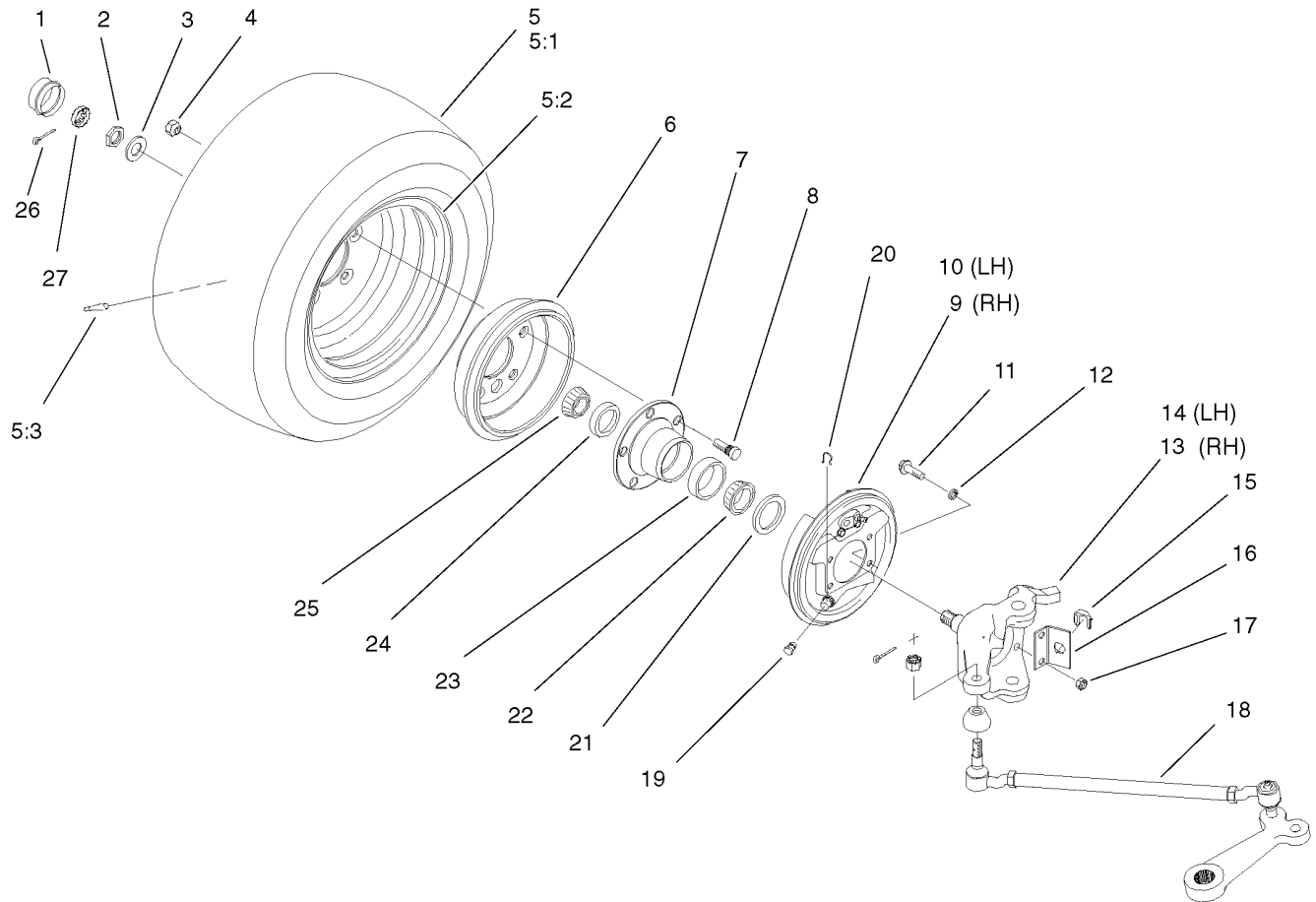
Ref	Part No.	Qty.	Description
14	3256-61	14	Washer-Flat
15	87-0700	1	Shroud (Only On: 07213Tc)
16	105-1706	1	RH Seat Strap ASM
18	3234-17	8	Screw-HHF
24	93-9448	1	Decal-Fuel (Only On: 07217Tc)
25	99-1218	1	Decal-Quick Reference (Only On: 07217Tc)
25	99-9382	1	Decal-Quick Reference, French (Only On: 07213Tc)
25	99-9383	1	Decal-Quick Reference, German (Only On: 07213Tc)
25	99-9384	1	Decal-Quick Reference, Italian (Only On: 07213Tc)
25	99-9385	1	Decal-Quick Reference, Japanese (Only On: 07213Tc)
25	99-9386	1	Decal-Quick Reference, Norwegian (Only On: 07213Tc)
25	99-9389	1	Decal-Quick Reference, Swedish (Only On: 07213Tc)
25	99-9358	1	Decal-Quick Reference, Dutch (Only On: 07217Tc)
25	99-9359	1	Decal-Quick Reference, Finish (Only On: 07217Tc)
25	99-9360	1	Decal-Quick Reference, French (Only On: 07217Tc)
25	99-9361	1	Decal-Quick Reference, German (Only On: 07217Tc)



Shroud and Seat Assembly (continued)

Ref	Part No.	Qty.	Description
25	99-9357	1	Decal-Quick Reference, Danish (Only On: 07217Tc)
25	99-9379	1	Decal-Quick Reference, Danish (Only On: 07213Tc)
25	99-1220	1	Decal-Quick Reference (Only On: 07213Tc)
25	99-9365	1	Decal-Quick Reference, Portuguese (Only On: 07217Tc)
25	99-9362	1	Decal-Quick Reference, Italian (Only On: 07217Tc)
25	99-9363	1	Decal-Quick Reference, Japanese (Only On: 07217Tc)
25	99-9364	1	Decal-Quick Reference, Norwegian (Only On: 07217Tc)
25	99-9387	1	Decal-Quick Reference, Portuguese (Only On: 07213Tc)
25	99-9388	1	Decal-Quick Reference, Spanish (Only On: 07213Tc)
25	99-9366	1	Decal-Quick Reference, Spanish (Only On: 07217Tc)
25	99-9380	1	Decal-Quick Reference, Dutch (Only On: 07213Tc)
25	99-9381	1	Decal-Quick Reference, Finish (Only On: 07213Tc)
25	99-9367	1	Decal-Quick Reference, Swedish (Only On: 07217Tc)
26	105-1703-03	1	Mount-Seat, LH
27	3256-23	4	Washer-Flat (Only On: 07217Tc)

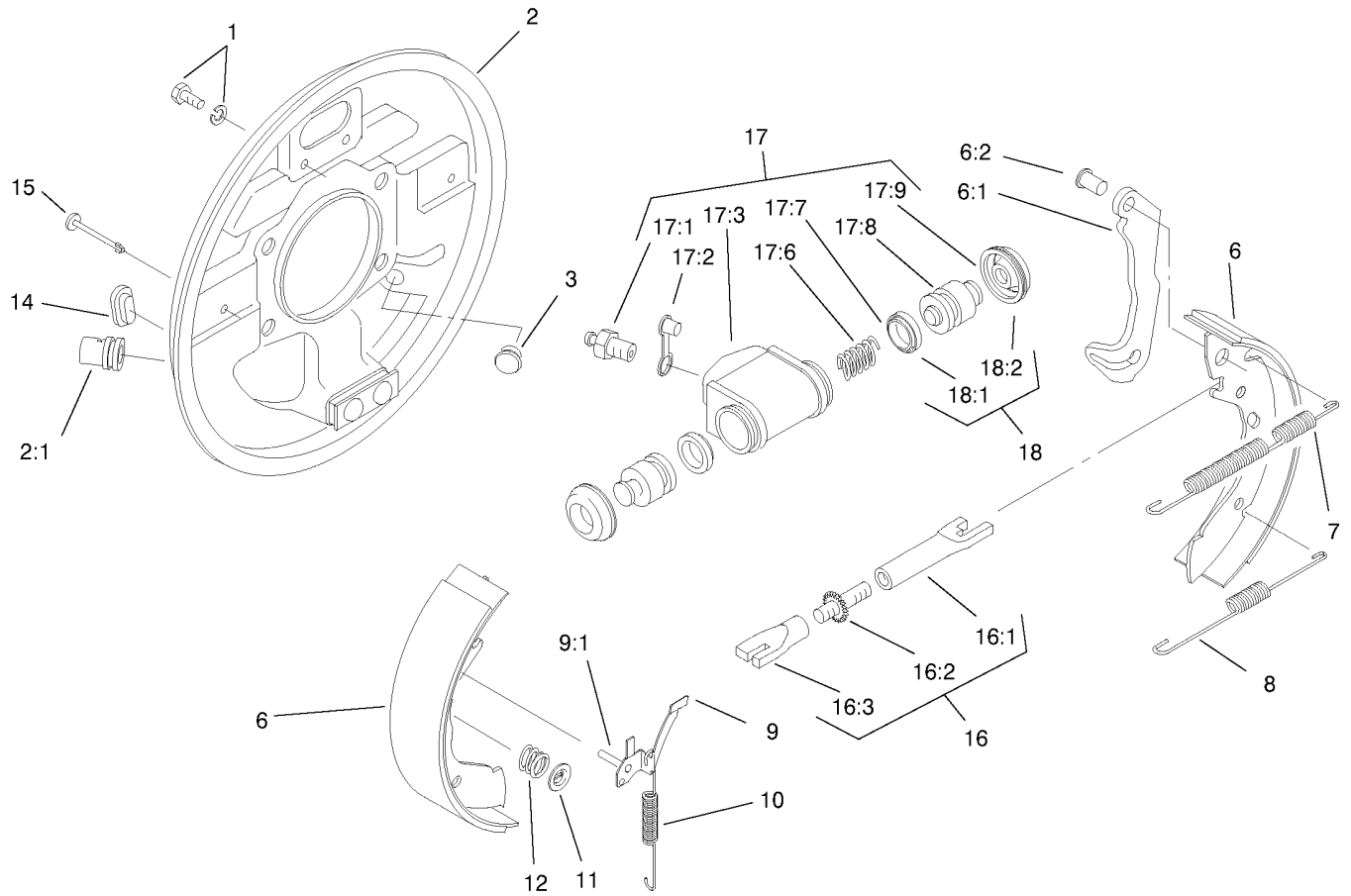
Ref	Part No.	Qty.	Description
28	87-9650-03	1	Cover-Steering Gear (Only On: 07217Tc)
29	87-9660	1	Trim-Lok (Only On: 07217Tc)
30	322-3	4	Screw-HH (Only On: 07217Tc)
31	32128-20	4	Nut-HF (Only On: 07217Tc)



2 Wheel Drive Front Wheel Assembly (only on: 07213TC)

Ref	Part No.	Qty.	Description
1	241-119	2	Cap-Dust
2	3220-7	2	Nut-Jam
3	93-0309	2	Washer-Tab
4	23-7270	10	Nut-Wheel
5	94-5262	2	Tire And Wheel ASM
5:1	94-5261	1	Tire-Front
5:2	87-5720	1	Front Rim ASM
5:3	232-27	1	Stem-Valve
6	87-0270	2	Drum-Brake
7	87-5560	2	Hub-Front
8	87-8730	10	Stud
9	87-3010	1	RH Brake ASM
10	87-3020	1	LH Brake ASM
11	323-8	8	Screw-HH
12	3253-21	8	Washer-Lock
13	87-9430-03	1	Spindle-Sp Mask, RH
14	87-9440-03	1	Spindle-Sp Mask, LH
15	87-3580	2	Clip-Retainer
16	87-2820	2	Bracket-Spindle, Brake Hose
17	3296-39	8	Nut-Lock, NI
18		2	Rod-Tie
19	87-3450	2	Plug-Plate, Brake (Front)
20	87-3310	2	Clip-Cable, Brake
21	87-3590	2	Seal-Bearing

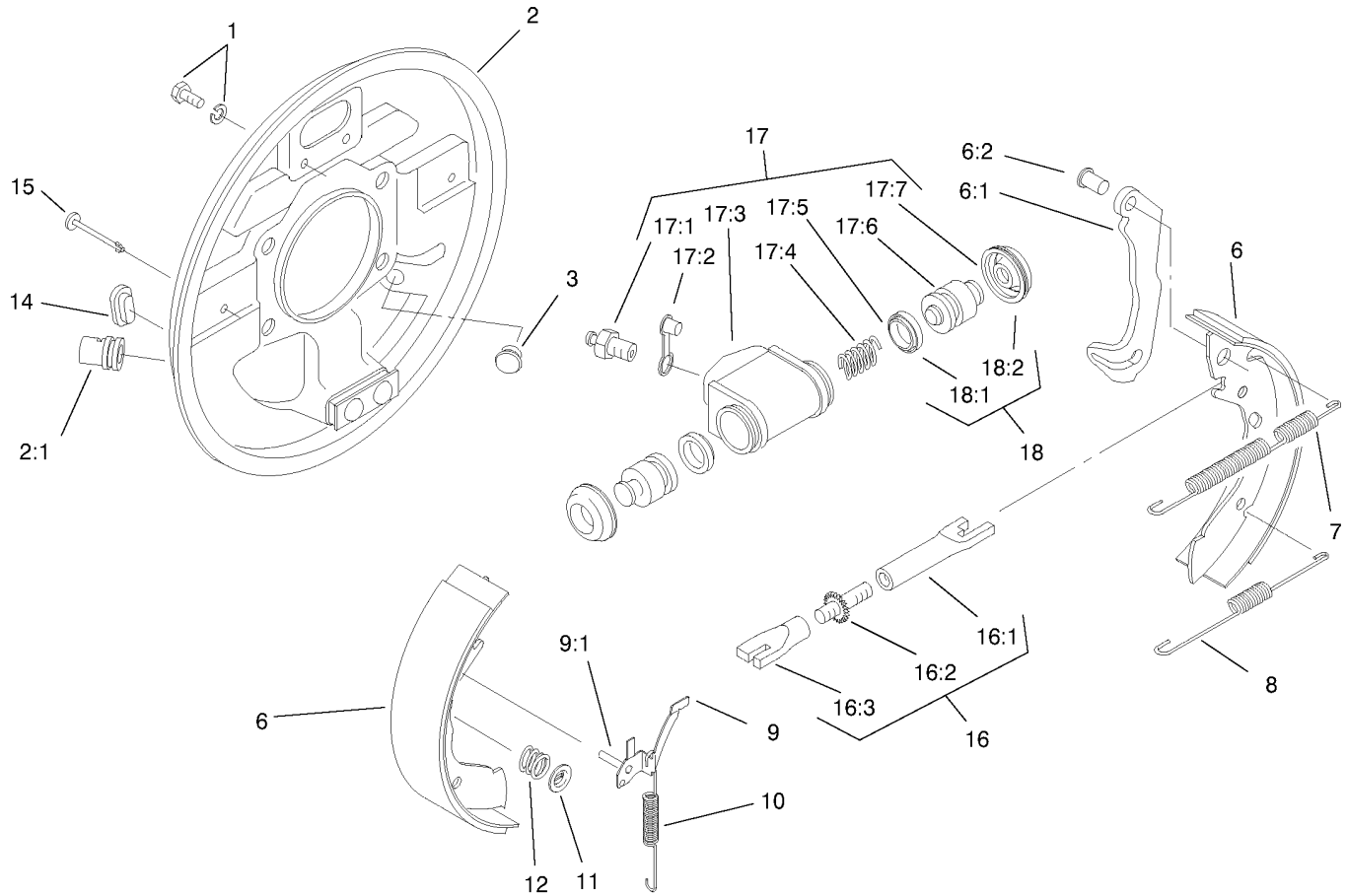
Ref	Part No.	Qty.	Description
22	254-106	2	Cone-Bearing, Tapered
23	254-107	2	Cup-Bearing, Tapered
24	254-72	2	Bearing-Cup, Tapered
25	254-94	2	Bearing-Cone, Tapered
26	3272-12	2	Pin-Cotter
27	93-0307	2	Nut-Lock, Retainer



RH Front Brake Assembly No. 87-3010 (only on: 07213TC)

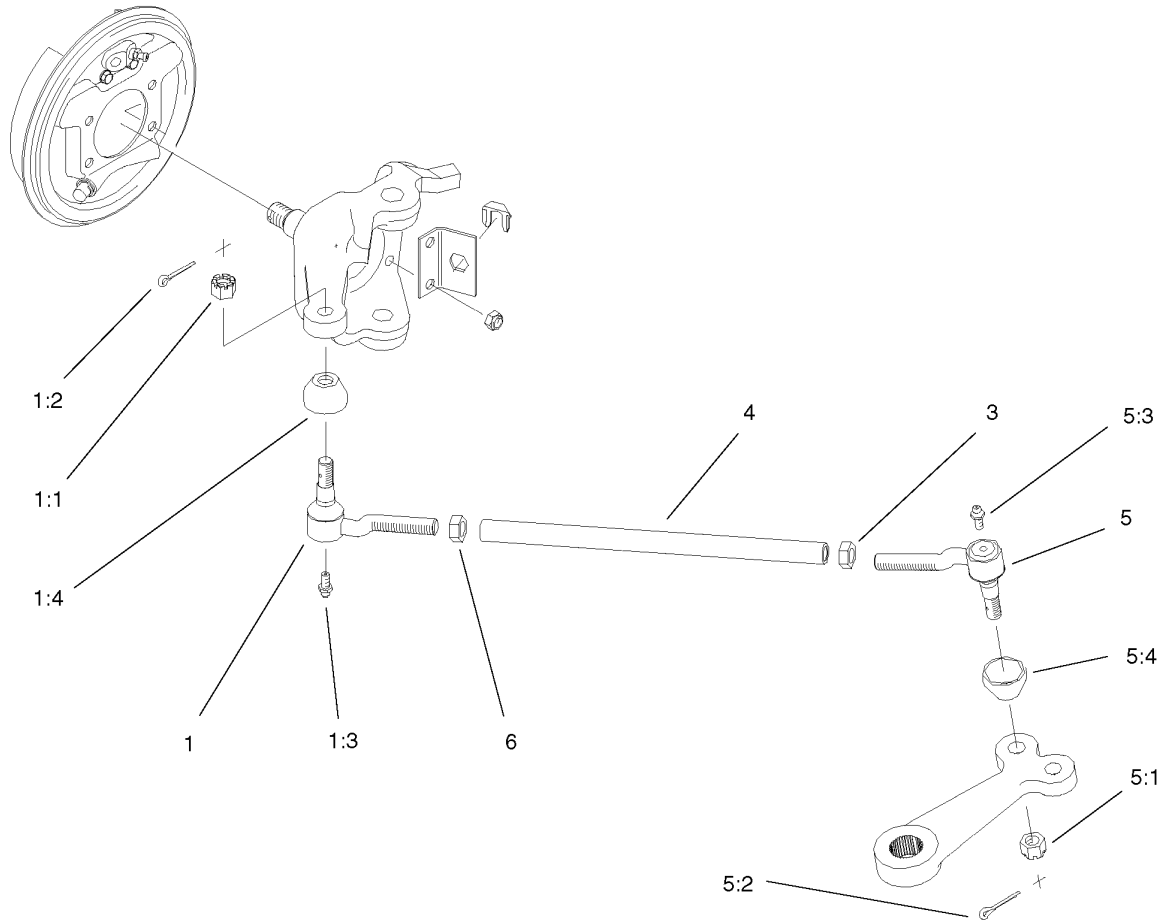
Ref	Part No.	Qty.	Description
1	92-4135	2	Bolt-Set
2	92-4116	1	RH Backplate ASM
3	92-4125	1	Plug
6	92-4120	1	Kit-Shoe, Lined
●16:1		1	Lever-Operating
7	92-4127	1	Spring-Shoe Ret, Upper RH
8	92-4128	1	Spring-Shoe Ret, Lower
9	92-4124	1	RH Pawl Lever ASM
10	92-4130	1	Spring-Adjustor, RH
11	92-4131	2	Washer-Hold Down, Shoe
12	92-4132	2	Spring-Hold Down, Shoe
14	92-4134	1	Plug-Inspection
15	92-4133	2	Pin-Hold Down, Shoe
16	92-4122	1	RH Adjustor ASM
●16:1		1	Pushrod-Female
17	92-4118	1	Wheel Cylinder ASM
17:1	92-4113	1	Screw-Bleed
17:2	92-4114	1	Cap-Screw, Bleed
18	92-4119	1	Seal Kit
●18:1		2	Seal -L- Type

--	--	--	--



LH Front Brake Assembly No. 87-3020 (only on: 07213TC)

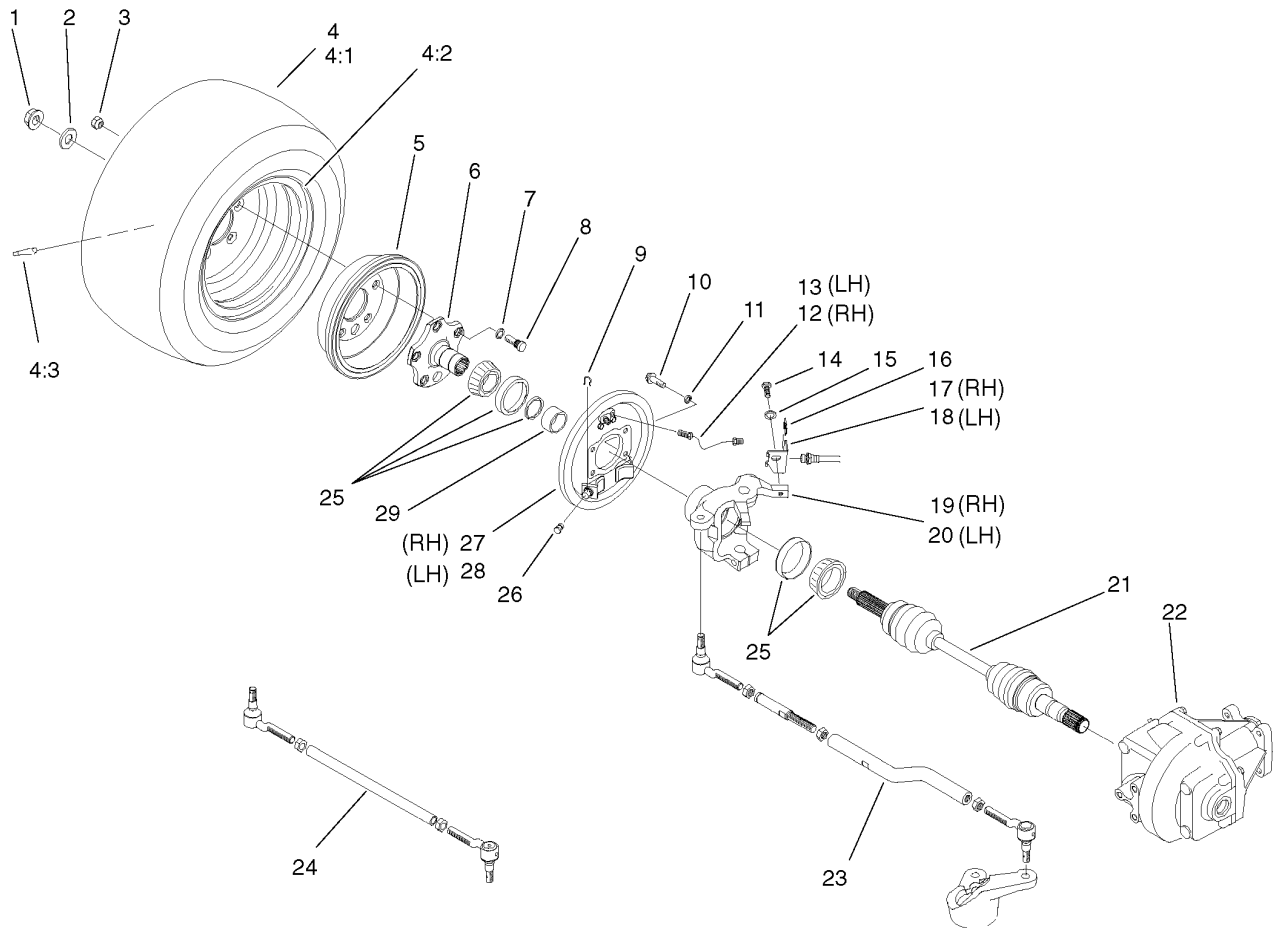
Ref	Part No.	Qty.	Description
1	92-4135	2	Bolt-Set
2	92-4115	1	LH Backplate ASM
3	92-4125	1	Plug
6	92-4120	1	Kit-Shoe, Lined
●16:1		1	Lever-Operating
7	92-4126	1	Spring-Shoe Ret, Upper LH
8	92-4128	1	Spring-Shoe Ret, Lower
9	92-4123	1	LH Pawl Lever ASM
10	92-4129	1	Spring-Adjustor, LH
11	92-4131	2	Washer-Hold Down, Shoe
12	92-4132	2	Spring-Hold Down, Shoe
14	92-4134	1	Plug-Inspection
15	92-4133	2	Pin-Hold Down, Shoe
16	92-4121	1	LH Adjustor ASM
●16:1		1	Pushrod-Female
17	92-4117	1	Wheel Cylinder ASM
17:1	92-4113	1	Screw-Bleed
17:2	92-4114	1	Cap-Screw, Bleed
●17:5		2	Seal-L- Type
18	92-4119	1	Seal Kit
●18:1		2	Seal -L- Type



Tie Rod Assembly (only on: 07213TC)

Ref	Part No.	Qty.	Description
1	87-1480	1	RH Tie Rod End ASM
1:1	32136-3	1	Nut-SHH
1:2	3272-12	1	Pin-Cotter
1:3	302-5	1	Fitting-Grease
1:4	87-5340	1	Tie Rod Seal Kit
3	3218-21	1	Nut-Jam
4	87-2410-03	1	Tie Rod-Steering
5	87-1470	1	LH Tie Rod End ASM
5:1	32136-3	1	Nut-SHH
5:2	3272-12	1	Pin-Cotter
5:3	302-5	1	Fitting-Grease
5:4	87-5340	1	Tie Rod Seal Kit
6	3220-11	1	Nut-Jam

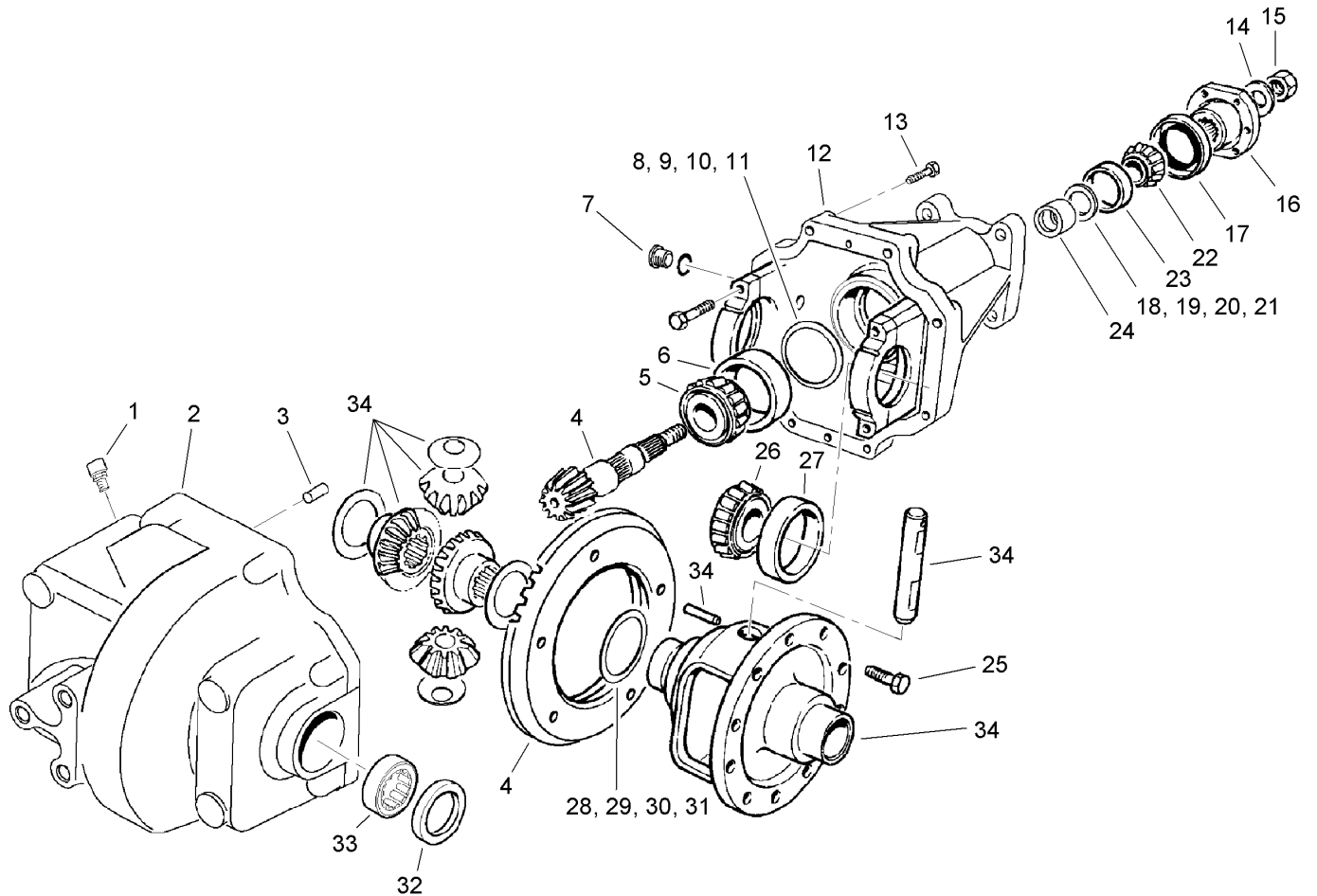
--	--	--	--



4 Wheel Drive Front Wheel Assembly (only on: 07217TC)

Ref	Part No.	Qty.	Description
1	32128-53	2	Nut-Hex Flange
2	87-3060	2	Washer-Hardened
3	23-7270	10	Nut-Wheel
4:1	94-5261	1	Tire-Front
4:2	87-5720	1	Front Rim ASM
4:3	232-27	1	Stem-Valve
5	93-7128	2	Drum-Brake
6	87-9190-03	2	Axle-Stub
7	3253-6	10	Washer-Lock
8	87-2080	10	Bolt-Hex, TAP
9	87-3310	2	Clip-Cable, Brake
10	323-6	8	Screw-HH
11	3253-21	8	Washer-Lock
12	93-7080	1	RH Brake Tube ASM
13	93-7079	1	LH Brake Tube ASM
14	323-4	2	Screw-HH
15	3256-24	2	Washer-Flat
16	87-3580	2	Clip-Retainer
17	93-7071	1	Bracket-Brake Hose, RH
18	93-7058	1	Bracket-Brake Hose, LH
19	87-9600-03	1	Housing-Mask, RH Axle
20	87-9620-03	1	Housing-Mask, LH Axle
21	93-7078	2	4Wd Cv Joint ASM
22	93-7054	1	Differential

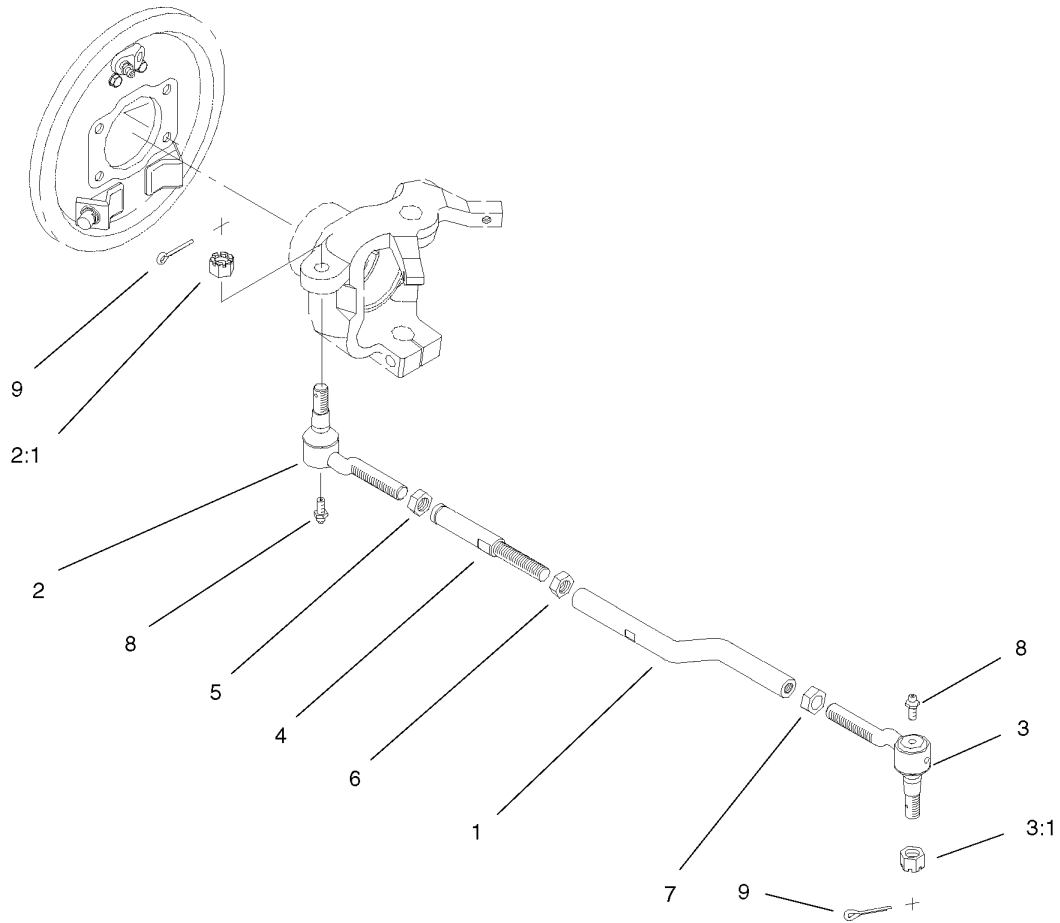
Ref	Part No.	Qty.	Description
●23		1	RH Tie Rod ASM
●24		1	LH Tie Rod ASM
25	87-9200	2	Bearing-Sealed
26	87-3450	2	Plug-Plate, Brake (Front)
27	87-9170	1	RH Front Brake ASM
28	87-9180	1	LH Front Brake ASM
29	87-9210	2	Spacer-Bearing, Wheel



Front Differential Assembly No. 93-7054

Ref	Part No.	Qty.	Description
1	93-8910	1	Vent
2	93-8908	1	Housing-Axle
3	21-8270	2	Pin-Dowel
4	93-3618	1	Gear And Pinion ASM
5	43-6760	1	Bearing-Roller, Cone Taper
6	43-6750	1	Bearing-Taper, Cup
7	93-8916	2	Plug-Hex Socket
8	43-6710	1	Shim-Pinion (.003)
9	43-6711	1	Shim-Pinion (.005)
10	43-6712	1	Shim-Pinion (.010)
11	43-6713	1	Shim-Pinion (.030)
12	93-8900	1	Carrier ASM
13	93-8909	8	Screw-Flange Hd
14	71-4340	1	Washer
15	71-4350	1	Nut
16	93-8903	1	Companion Flange
17	71-4330	1	Seal
18	93-8904	1	Shim-Adj, .003 Thk
19	93-8905	1	Shim-Adj, .005 Thk
20	93-8906	1	Shim-Adj, .010 Thk
21	93-8907	1	Shim-Adj, .030 Thk
22	254-91	1	Cone-Bearing
23	254-90	1	Bearing-Cup
24	93-8902	1	Spacer-Bearing, Pinion

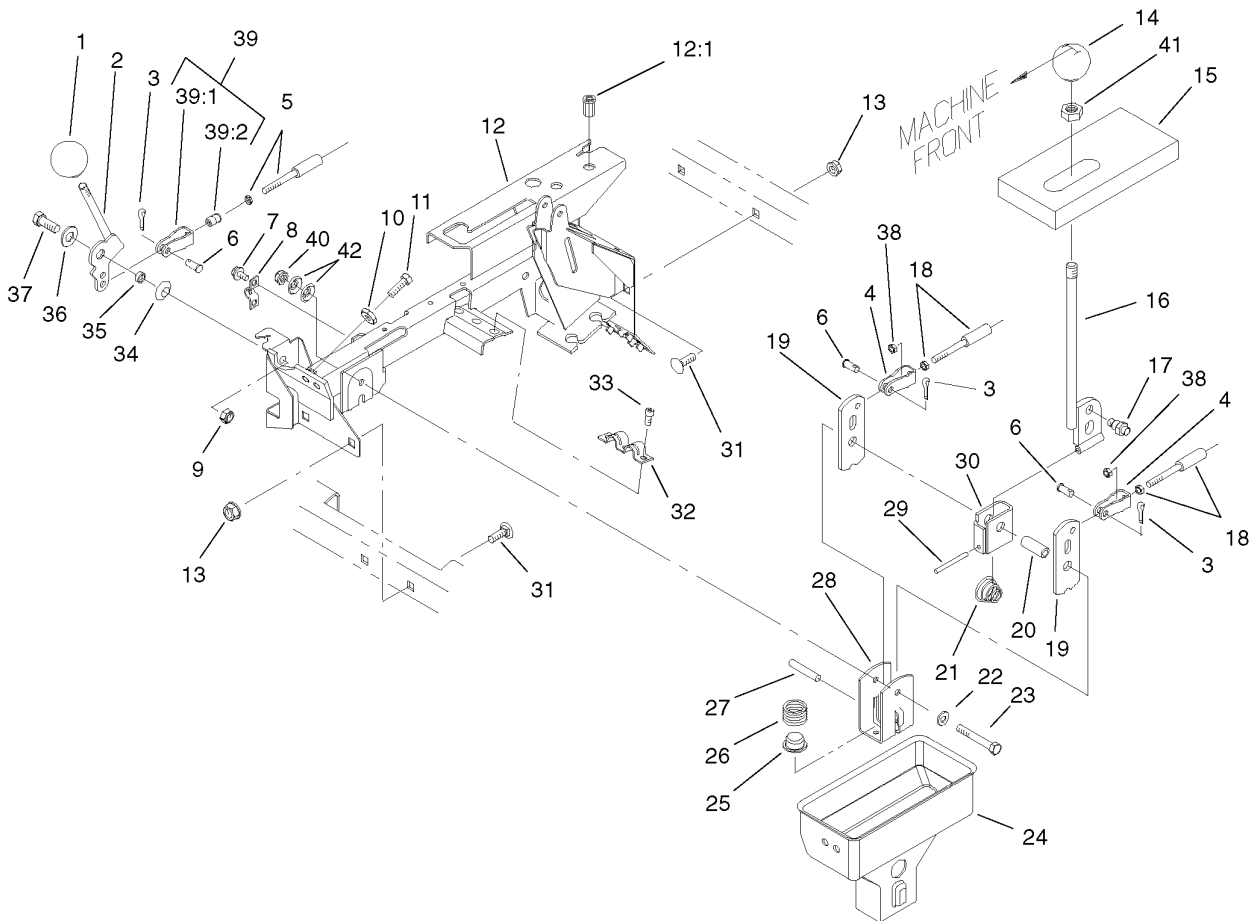
Ref	Part No.	Qty.	Description
25	21-7770	5	Screw-Gear, Drive
26	254-65	2	Cone-Bearing, Roller
27	254-66	2	Cup-Bearing, Roller
28	21-8090	1	Shim-Bearing, Diff. (.003)
29	21-8100	1	Shim-Bearing, Diff. (.005)
30	21-8110	1	Shim-Bearing, Diff. (.010)
31	21-8120	1	Shim-Bearing, Diff. (.030)
32	93-8918	2	Seal-Oil
33	93-8917	2	Bearing-Needle
34	93-8901	1	Differential Case ASM



Right Hand Tie Rod Assembly (only on: 07217TC)

Ref	Part No.	Qty.	Description
1	93-7056-03	1	Tie Rod-RH
2	94-3804	1	Tie Rod End-LH
2:1	32136-3	1	Nut-SHH
3	94-3803	1	ASM-Tie Rod End (Incl. Ref. #16-17 & 26)
3:1	32136-3	1	Nut-SHH
4	93-7055-03	1	Turnbuckle-Tie Rod, RH
5	3220-11	1	Nut-Jam
6	3220-7	1	Nut-Jam
7	3218-21	1	Nut-Jam
8	302-5	2	Fitting-Grease
9	3272-12	2	Pin-Cotter

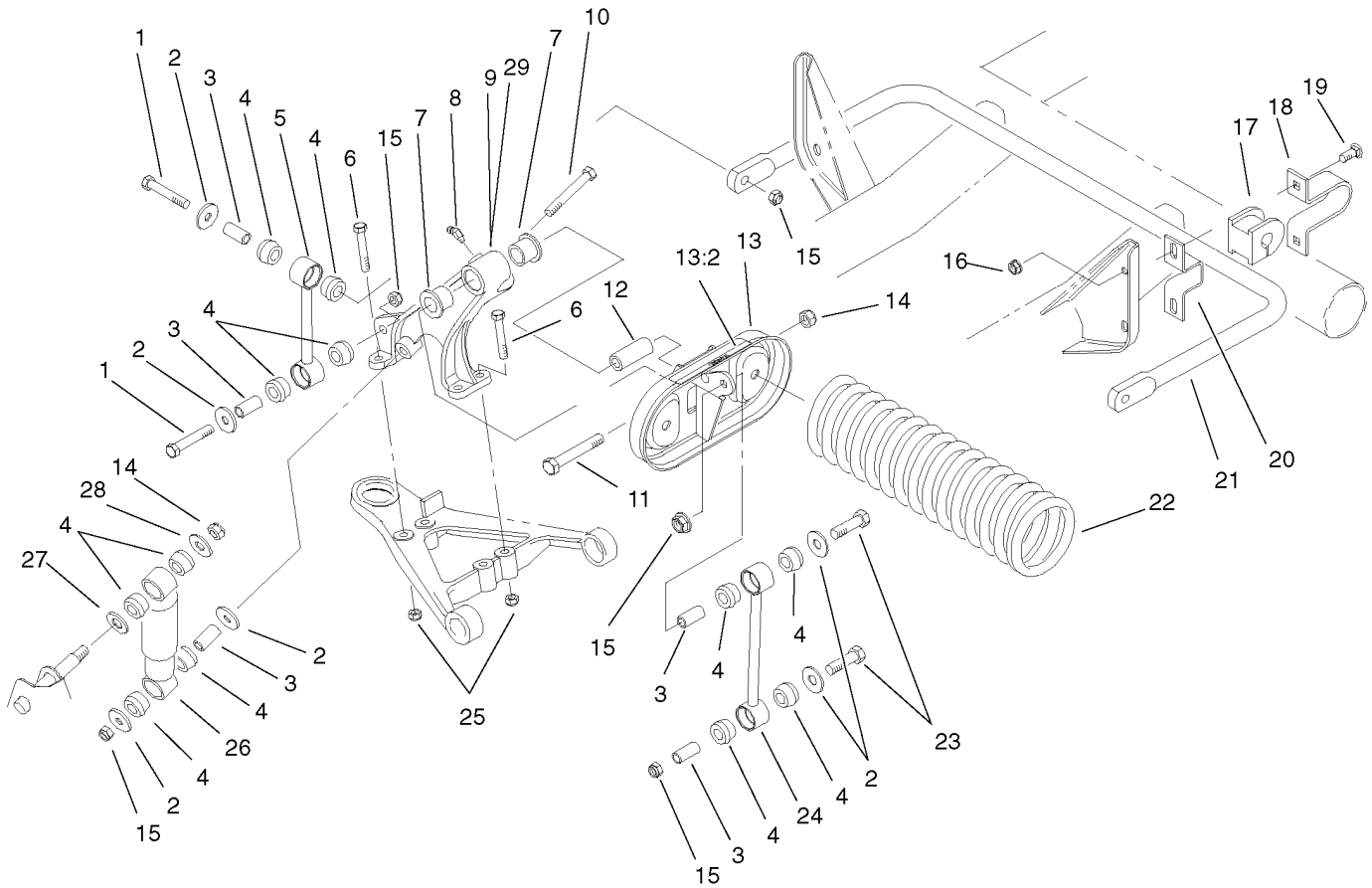
--	--	--	--



Center Console Assembly

Ref	Part No.	Qty.	Description
1	233-37	1	Knob
2	87-4350	1	Hi/Lo Lever ASM
3	3272-6	3	Pin-Cotter
4	87-2310	2	Clevis-Cable
5	87-4420	1	Cable-Hi/Lo
6	283-62	3	Pin-Clevis
7	32144-4	2	Screw-HWH
8	87-4340	1	Clamp-Cable
9	3296-39	1	Nut-Lock, NI
10	3220-3	2	Nut-Hex, Jam
11	3211-8	2	Screw-HH
12	94-5202	1	Lever Support ASM
12:1	32148-7	2	Insert-Nut
13	3290-357	4	Nut-HHF, Whiz
14	87-6720	1	Knob-Shift
15	87-6570	1	Seal-Boot, Lower
16	87-2040	1	Shift Lever ASM
17	87-3650	1	Pin-Shift
18	87-4260	2	Cable-Selector, Gear
19	87-3540	2	Link-Shift
20	87-2520	1	Tube-Pivot
21	87-2900	1	Spring-Compression
22	87-8640	1	Washer-Flat
23	322-12	1	Screw-HH

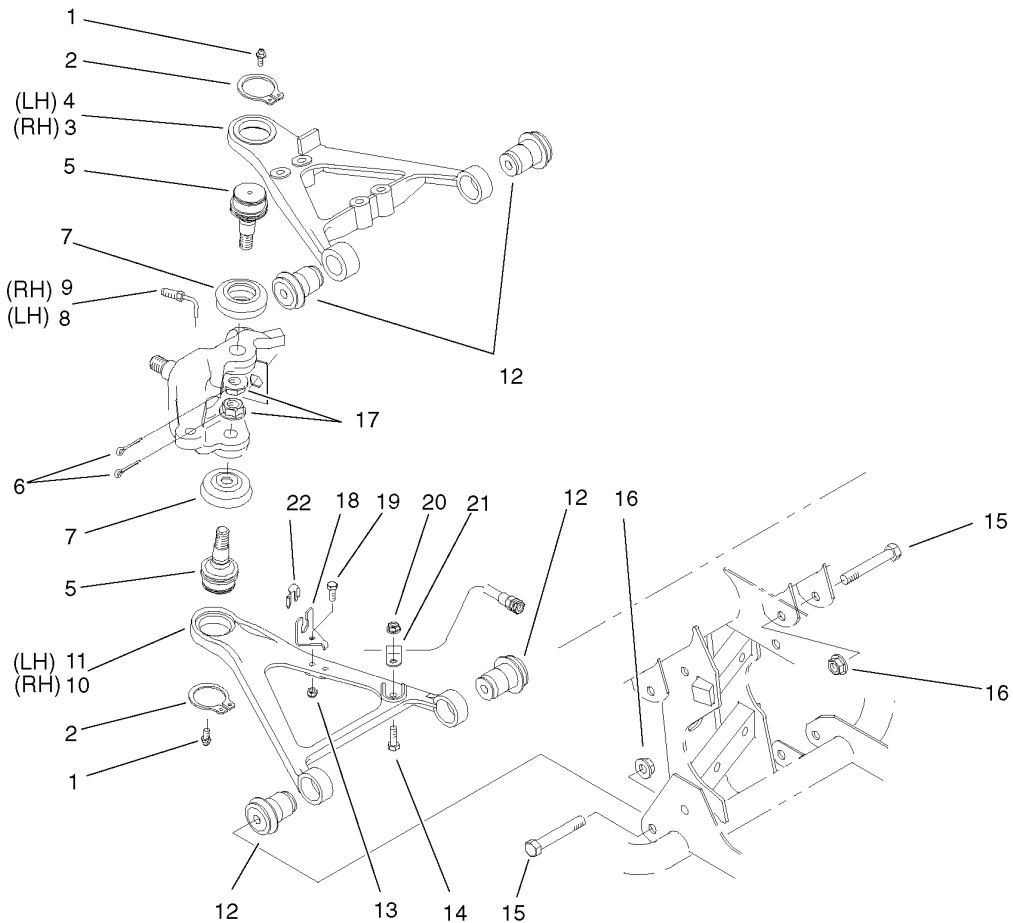
Ref	Part No.	Qty.	Description
24	87-2260	1	Boot-Shift, Lower
25	87-3530	1	Button-Shifter
26	87-3660	1	Spring-Compression
27	3290-507	1	Pin-Dowel
28	87-3520	1	Clevis
29	32121-48	1	Pin-Spring
30	87-6040	1	Bracket-Shifter
31	3231-21	4	Screw-CARR
32	87-4960	1	Clamp-Cable
33	65-5220	3	Screw-Forming, Thread
34	3290-221	1	Washer-Spring
35	76-9100	1	Spacer-Speed, Reel
36	49-9150	1	Washer-Pivot
37	323-6	1	Screw-HH
38	3220-1	2	Nut-Jam
39	87-7160	1	Cable Clevis ASM
39:1	87-2310	1	Clevis-Cable
39:2	32148-15	1	Nut-Insert
40	3296-58	1	Nut-Lock, NI
41	3218-18	1	Nut-Jam
42	3290-456	2	Washer-Belleville



Front Suspension Assembly

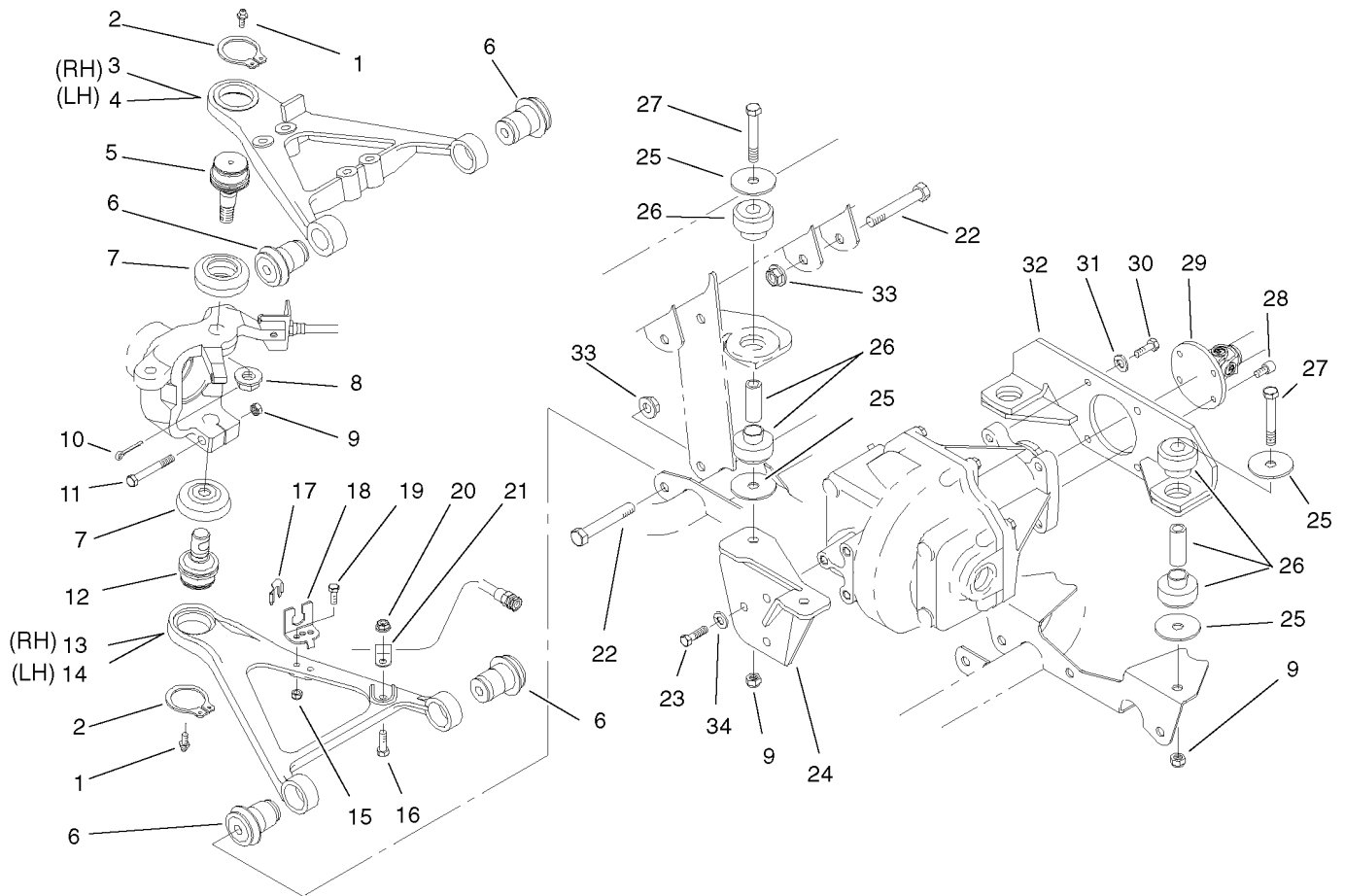
Ref	Part No.	Qty.	Description
1	324-10	4	Screw-HH
2	87-5330	12	Washer
3	87-3600	10	Spacer-Absorber, Shock
4	87-3920	24	Bushing
5	87-3860-03	2	Anti-Sway Bar Link ASM
6	323-12	8	Screw-HH
7	33-3090	4	Bushing
8	302-11	2	Fitting-Lube, 45 DEG
9	87-0150-03	1	Tower-Control Arm, RH
10	324-13	2	Screw-HH
11	325-13	2	Screw-HH
12	87-2500	2	Sleeve-Spring, Pivot
13	105-7958	2	Spring Cradle ASM
13:2	93-9879	1	Decal-Warning
14	3296-23	4	Nut-Lock, NI
15	3296-48	10	Nut-Lock, NI
16	3290-357	4	Nut-HHF, Whiz
17	87-3910	2	Bushing-Rubber
18	87-4010-03	2	Clamp-Bar, Sway
19	3231-25	4	Screw-CARR
20	87-3890-03	2	Bracket-Bar, Sway
21	87-3850-03	1	Bar-Sway, Anti
22	105-4183-01	2	Spring-Compression
23	324-9	4	Screw-HH

Ref	Part No.	Qty.	Description
24	87-2480-03	2	Stabilizer Link ASM
25	3296-39	8	Nut-Lock, NI
26	87-3110	2	Absorber-Shock
27	3256-27	2	Washer-Flat
28	3256-6	2	Washer-Flat
29	87-0160-03	1	Tower-Control Arm, LH



2 Wheel Drive Front Control Arm Assembly (only on: 07213TC)

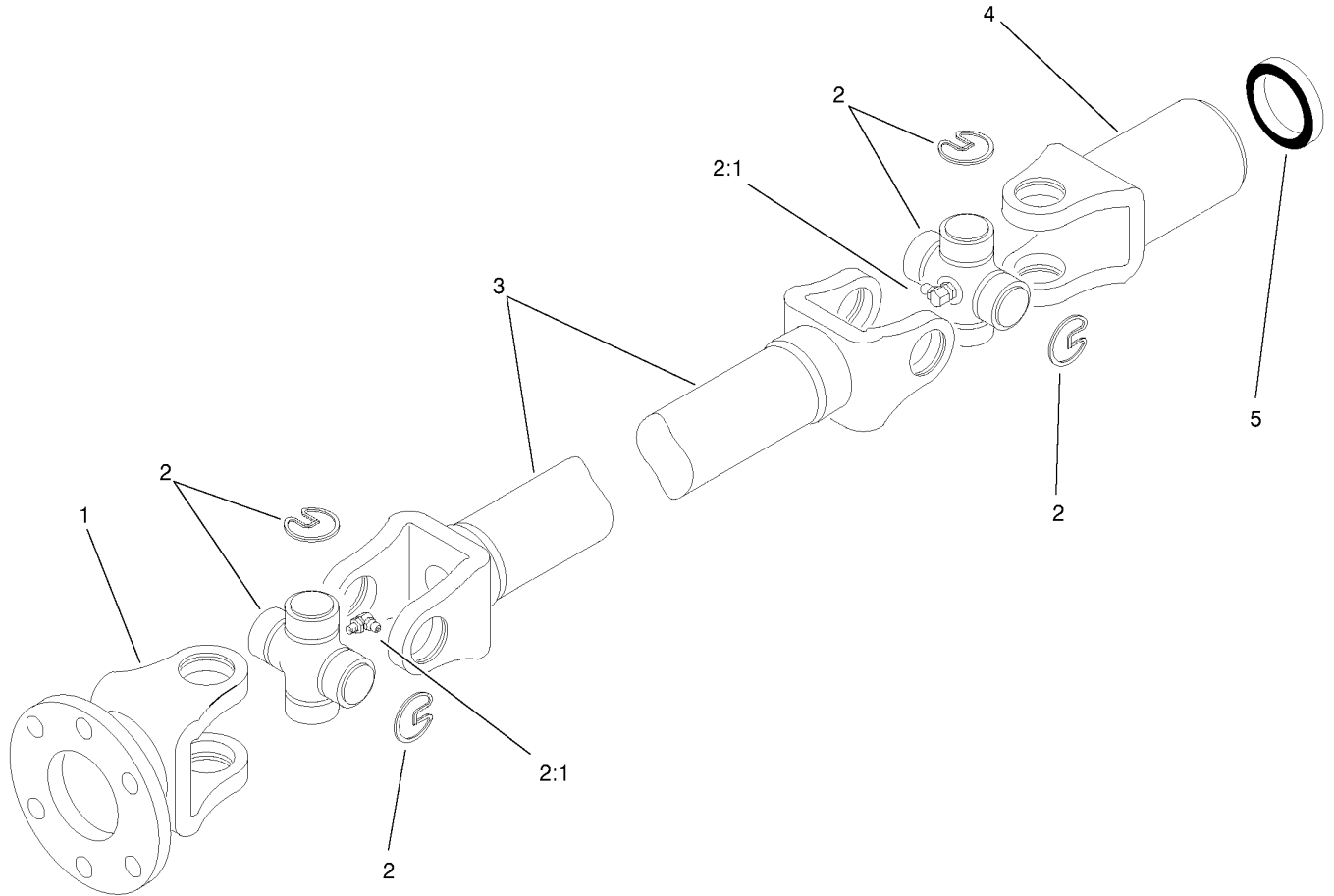
Ref	Part No.	Qty.	Description
1	302-5	4	Fitting-Grease
2	32151-104	4	Ring-Retaining, External
3	93-7135-03	1	Arm-Control, Top (RH)
4	93-7133-03	1	Arm-Control, Top (LH)
5	87-1430	4	Joint-Ball
6	3272-12	4	Pin-Cotter
7	87-2420	4	Seal-Joint, Ball
8	87-2790	1	LH Brake Tube ASM
9	87-2800	1	RH Brake Tube ASM
10	87-0210-03	1	Arm-Control, Lower (RH)
11	87-0220-03	1	Arm-Control, Lower (LH)
12	87-1450	8	Bushing-Flange
13	3296-42	2	Nut-Lock, NI
14	322-5	2	Screw-HH
15	325-13	8	Screw-HH
16	3296-23	8	Nut-Lock, NI
17	32136-2	4	Nut-SHH
18	87-2870	2	Bracket-Hose, Brake
19	321-6	2	Screw-HH
20	32128-20	2	Nut-HF
21	2412-10	2	R-Clamp
22	87-3580	2	Clip-Retainer



4 Wheel Drive Front Control Arm Assembly (only on: 07217TC)

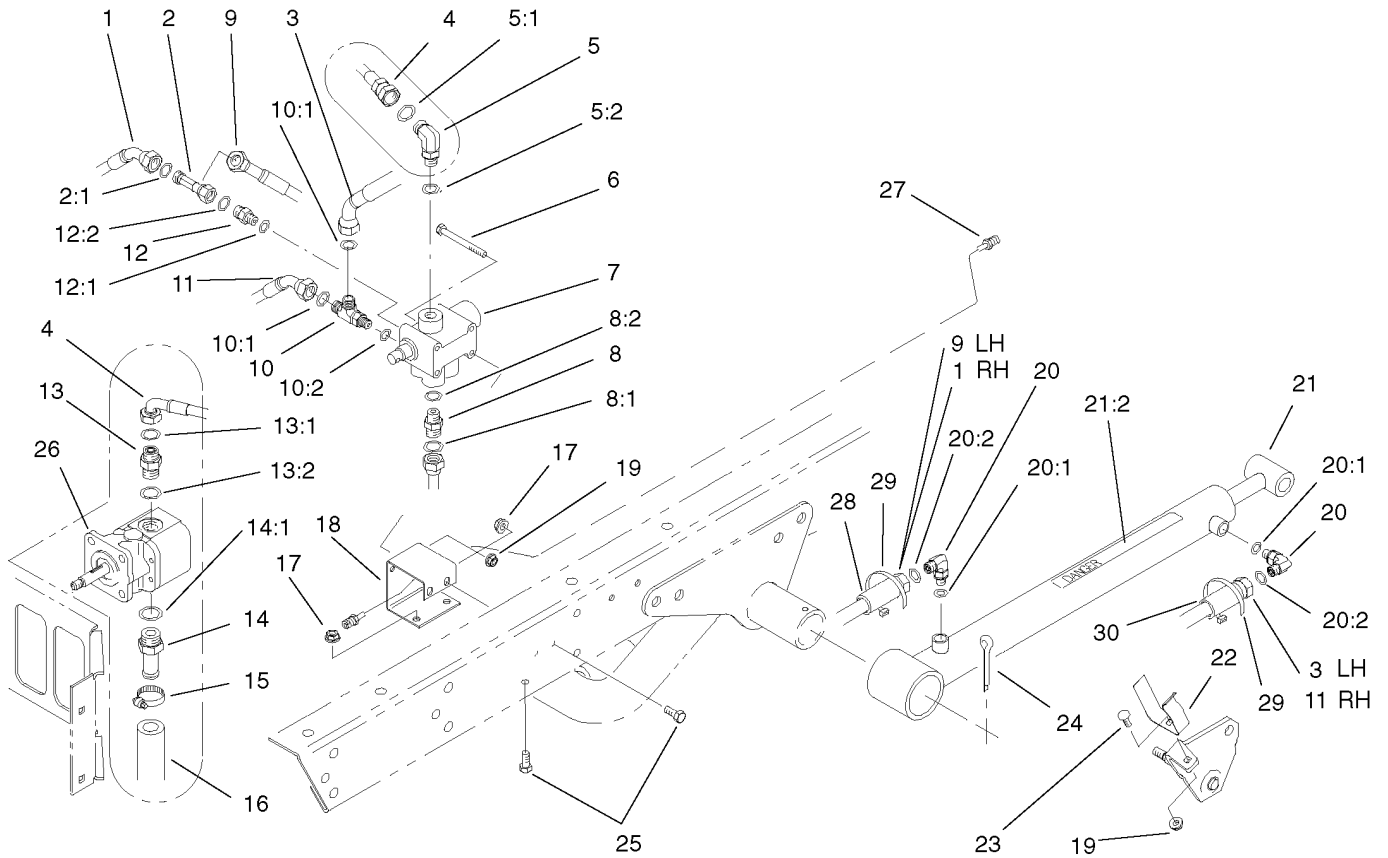
Ref	Part No.	Qty.	Description
1	302-5	4	Fitting-Grease
2	32151-104	4	Ring-Retaining, External
3	93-7135-03	1	Arm-Control, Top (RH)
4	93-7133-03	1	Arm-Control, Top (LH)
5	87-1430	2	Joint-Ball
6	87-1450	8	Bushing-Flange
7	87-2420	4	Seal-Joint, Ball
8	32136-2	2	Nut-SHH
9	3296-48	6	Nut-Lock, NI
10	3272-11	2	Pin-Cotter
11	324-11	2	Screw-HH
12	93-7052	2	Joint-Ball, 4Wd
13	87-0210-03	1	Arm-Control, Lower (RH)
14	87-0220-03	1	Arm-Control, Lower (LH)
15	3296-42	2	Nut-Lock, NI
16	322-5	2	Screw-HH
17	87-3580	2	Clip-Retainer
18	93-7070	2	Bracket-Hose, Brake
19	321-6	2	Screw-HH
20	32128-20	2	Nut-HF
21	2412-10	2	R-Clamp
22	325-13	8	Screw-HH
23	324-5	3	Screw-HH
24	93-7118-03	1	Bracket-Differential

Ref	Part No.	Qty.	Description
25	87-5100	8	Washer-Snubbing
26	87-4970	4	Engine Mount ASM
27	324-12	4	Screw-HH
28	3274-97	6	Screw-HSH
29	93-7116	1	Driveshaft-4Wd
30	323-7	4	Screw-HH
31	3253-21	4	Washer-Lock
32	93-7074-03	1	Mount-Differential, Rear ASM
33	3296-23	8	Nut-Lock, NI
34	3253-6	3	Washer-Lock



**Differential Drive Shaft Assembly No. 93-7116
(only on: 07217TC)**

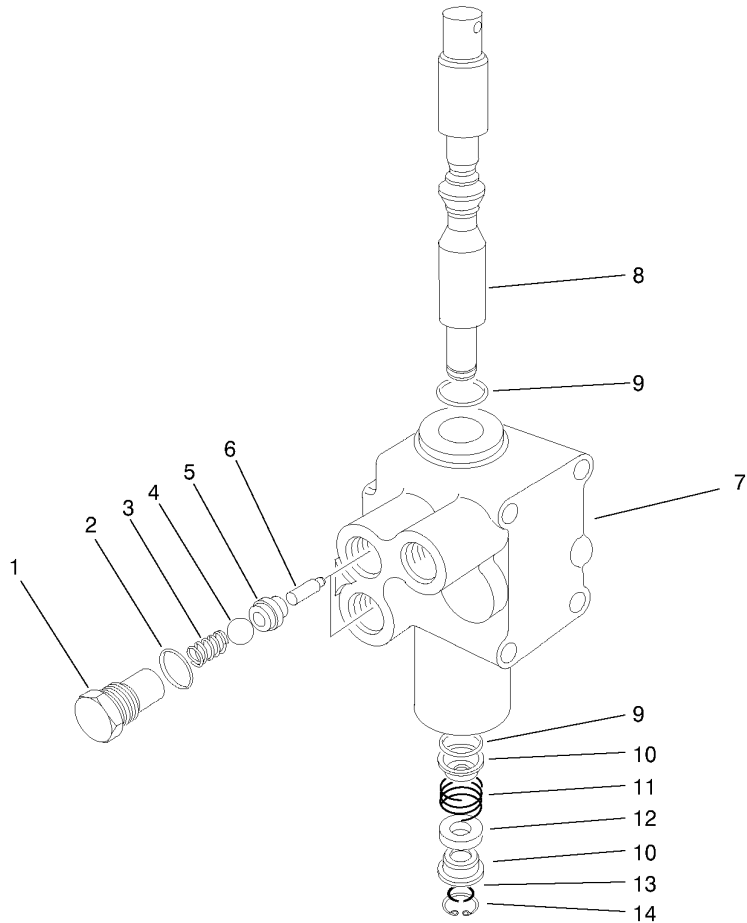
Ref	Part No.	Qty.	Description
1	92-4193	1	Yoke
2	54-9180	2	U-Joint Kit
2:1	62-3820	1	Fitting-Grease
3	92-4194	1	Center-Double, Fixed Length
4	92-4195	1	Yoke
5	92-4196	1	Seal



Lift Valve and Cylinder Assembly

Ref	Part No.	Qty.	Description
1	87-4900	1	Hose ASM
2	340-151	1	Fitting
2:1	237-75	3	O-Ring
3	92-2697	1	Hose ASM
4	93-9552	1	Hose ASM
5	340-77	1	Fitting-HYD, 90 DEG
5:1	237-22	1	O-Ring
5:2	237-42	1	O-Ring
6	321-14	2	Screw-HH
7	43-1950-03	1	Valve-HYD
8	340-77	1	Fitting-HYD, 90 DEG
8:1	237-22	1	O-Ring
8:2	237-42	1	O-Ring
9	87-4880	1	Hose ASM
10	340-140	1	Adapter-Tee
10:1	237-21	2	O-Ring
10:2	237-78	1	O-Ring
11	87-4910	1	Hose ASM
12	340-92	1	Fitting-HYD, Straight
12:1	237-78	1	O-Ring
12:2	237-21	1	O-Ring
13	340-3	1	Adapter
13:1	237-22	1	O-Ring
13:2	237-79	1	O-Ring

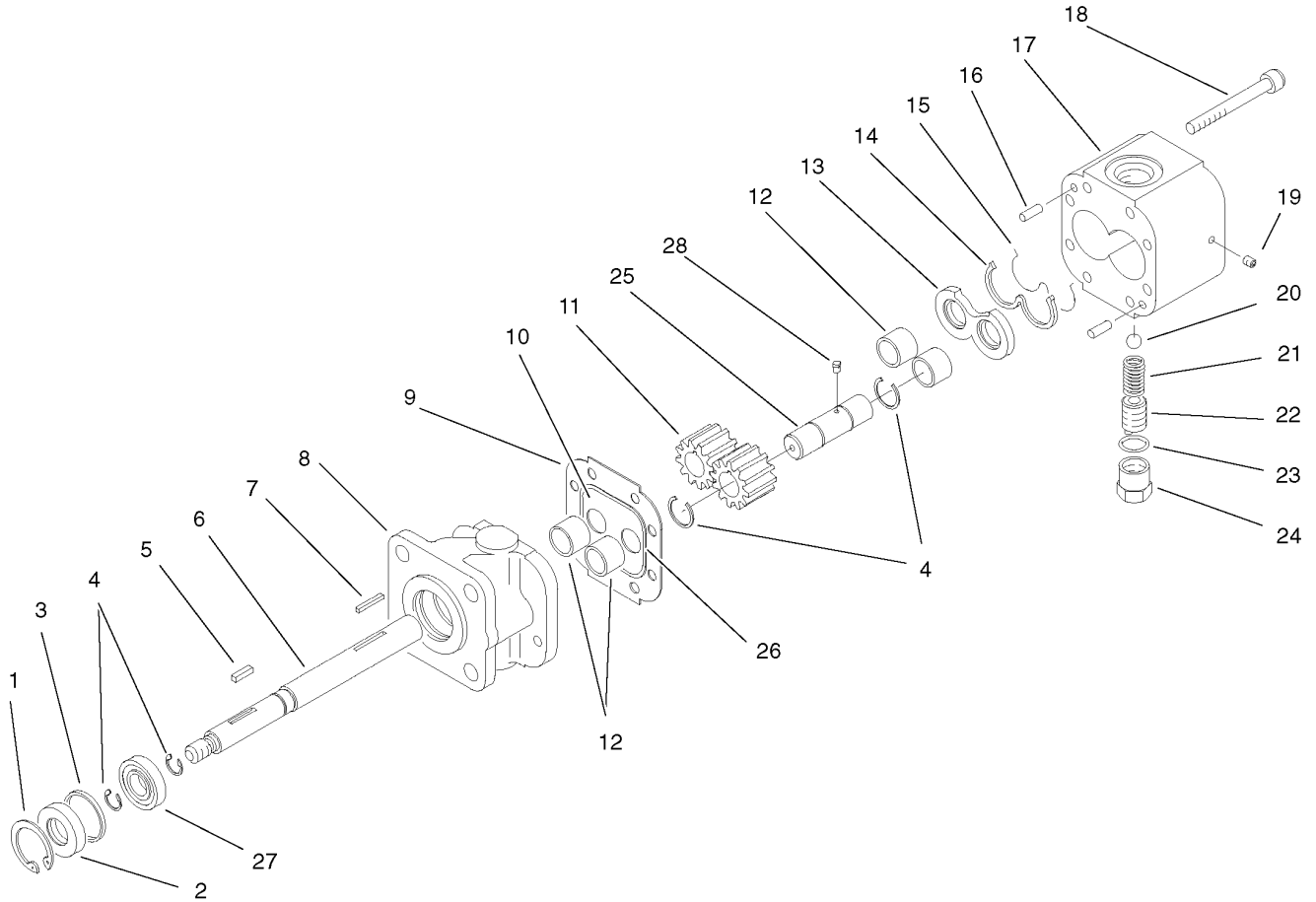
Ref	Part No.	Qty.	Description
14	354-136	1	Fitting-HYD
14:1	237-80	1	O-Ring
15	2412-34	1	Clamp-Hose
16	87-3670	1	Hose-Suction
17	32128-20	4	Nut-HF
18	87-4520-03	1	Bracket-Dump Valve
19	32128-33	4	Nut-HF
20	340-132	4	Fitting-HYD, 90 DEG
20:1	237-78	1	O-Ring
20:2	237-21	1	O-Ring
21	105-7957	2	HYD Lift Cylinder ASM
21:2	93-9852	1	Decal-Warning
22	87-3720	2	Retainer-Cylinder
23	3229-1	2	Screw-CARR
24	3272-37	2	Pin-Cotter
25	322-3	4	Screw-HH
26	87-5700	1	Gear-HYD Pump
27	94-3844	1	LH Rear Brake Tube ASM
28	24-7922	1	Cover-Shaft, Drive
29	3290-378	6	Tie-Cable
30	24-7923	2	Cover-Shaft, Drive



Hydraulic Valve Assembly No. 43-1950-03

Ref	Part No.	Qty.	Description
1	22-8330	2	Plug
2	237-42	2	O-Ring
3	22-8340	2	Spring
4	22-8350	2	Ball
5	22-8370	2	Seat-Valve
6	22-8360	2	Pin
8	22-8420	1	Spool
9	22-8500	2	O-Ring
10	22-8380	2	Retainer
11	22-8410	1	Spring
12	23-3030	1	Spacer
13	22-8480	1	Ring-Snap
14	22-8490	1	Ring-Snap

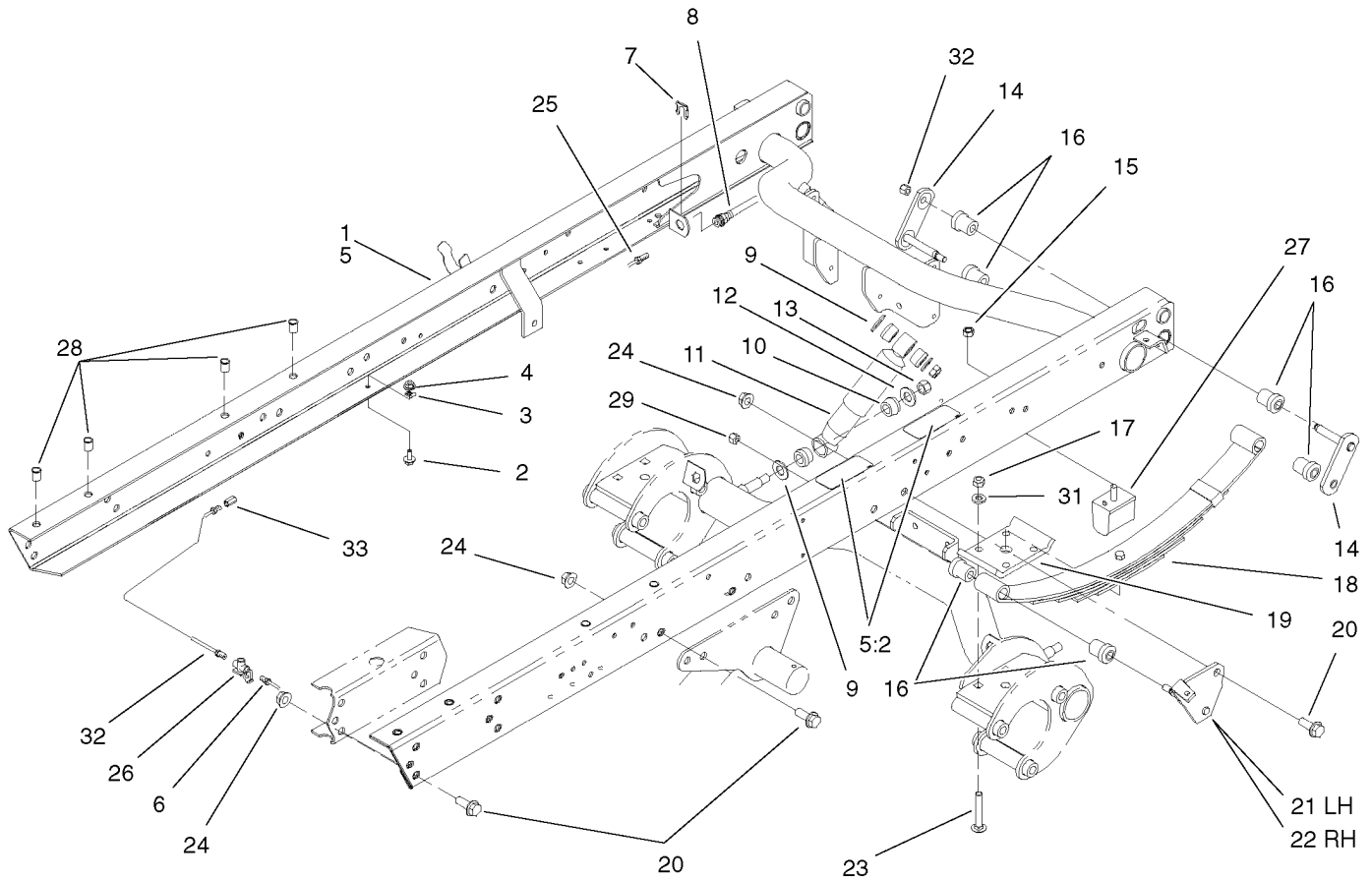
--	--	--	--



Hydraulic Gear Pump Assembly No. 87-5700

Ref	Part No.	Qty.	Description
1	32151-41	1	Ring-Snap
2	92-2195	1	Seal-Oil
3	92-2186	1	Spacer
4	92-2178	4	Ring-Crescent
5	92-2179	1	Key-Square
6	92-2189	1	Shaft-Drive
7	92-2177	1	Pin-Shear
8	92-2188	1	Stator
9	92-2182	1	Plate-Seal
10	92-2183	1	Plate-Wear
11	92-2175	2	Gear
12	92-2192	4	Bearing
13	92-2181	1	Plate-Pressure
14	92-2197	1	Seal-Back Up, Pressure Plate
15	92-2196	1	Seal-Plate, Pressure
16	92-2176	2	Pin-Shear
17	92-2187	1	Housing-Gear, End
18	92-2173	4	Screw
19	92-2185	1	Plug
20	92-2193	1	Ball-Steel
21	92-2194	1	Spring
22	92-2174	1	Screw-Adjusting
23	92-2180	1	Gasket-Copper
24	92-2184	1	Cap-Hex, Relief Valve

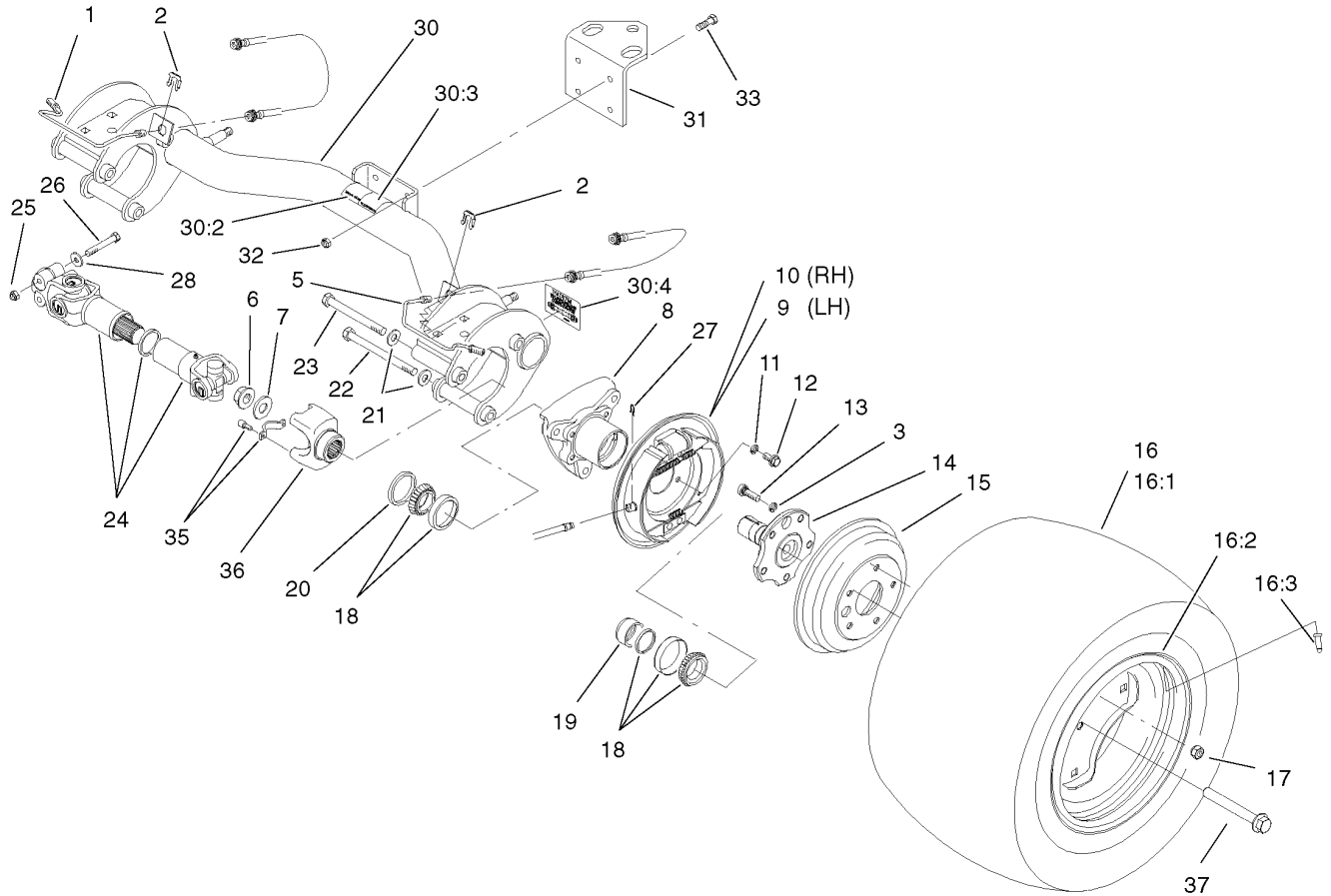
Ref	Part No.	Qty.	Description
25	92-2190	1	Shaft-Idler
26	92-2198	1	Seal-Plate, Wear
27	92-2191	1	Bearing-Ball
28	92-2199	1	Key-Ball



Rear Frame Assembly

Ref	Part No.	Qty.	Description
1	87-8430-03	1	Frame Channel ASM (Only On: 07217Tc)
2	3234-4	4	Screw-HHF
3	2412-149	4	Clamp-Hose
4	32128-33	4	Nut-HF
5	105-7959	1	Frame Channel ASM
5:2	93-8071	2	Decal-Surface, Hot
6	94-3843	1	LH Rear Brake Tube ASM
7	87-3580	2	Clip-Retainer
8	87-4100	2	Hose-Brake, Rear
9	3256-27	4	Washer-Flat
10	87-3920	8	Bushing
11	87-3110	2	Absorber-Shock
12	3256-6	4	Washer-Flat
13	3296-23	4	Nut-Lock, NI
14	87-3980	4	Shackle ASM
15	48-9520	2	Nut
16	87-4760	12	Bushing-Rubber
17	3296-76	8	Nut-Lock, NI
18	87-1490	2	Spring-Leaf, Rear
19	87-7470-03	2	Plate-Spring, Clamp
20	3234-38	24	Screw-HHF
21	87-3960	1	LH Spring Mount ASM
22	87-3940	1	RH Spring Mount ASM

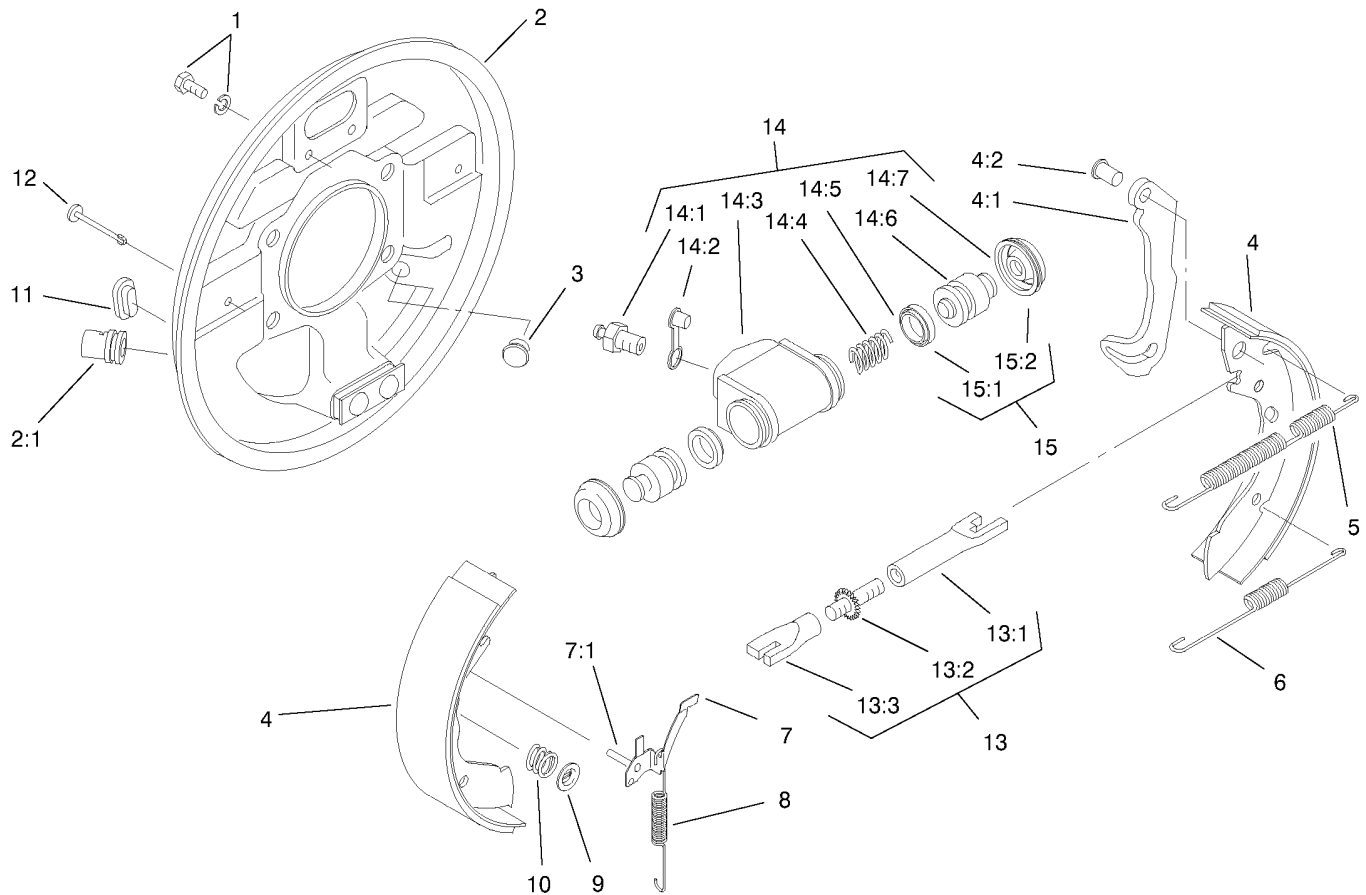
Ref	Part No.	Qty.	Description
23	3232-17	8	Screw-CARR
24	32128-23	24	Nut-HF
25	94-3846	1	RH Rear Brake Tube ASM
26	87-3560	1	Tee
27	87-3470	2	Bumper-Axle, Rear
28	32148-9	8	Insert-Nut
29	3296-39	6	Nut-Lock, NI
31	87-7480	8	Washer
32	94-3845	1	RH Rear Brake Tube ASM
33	87-3570	2	Union



Rear Axle Assembly

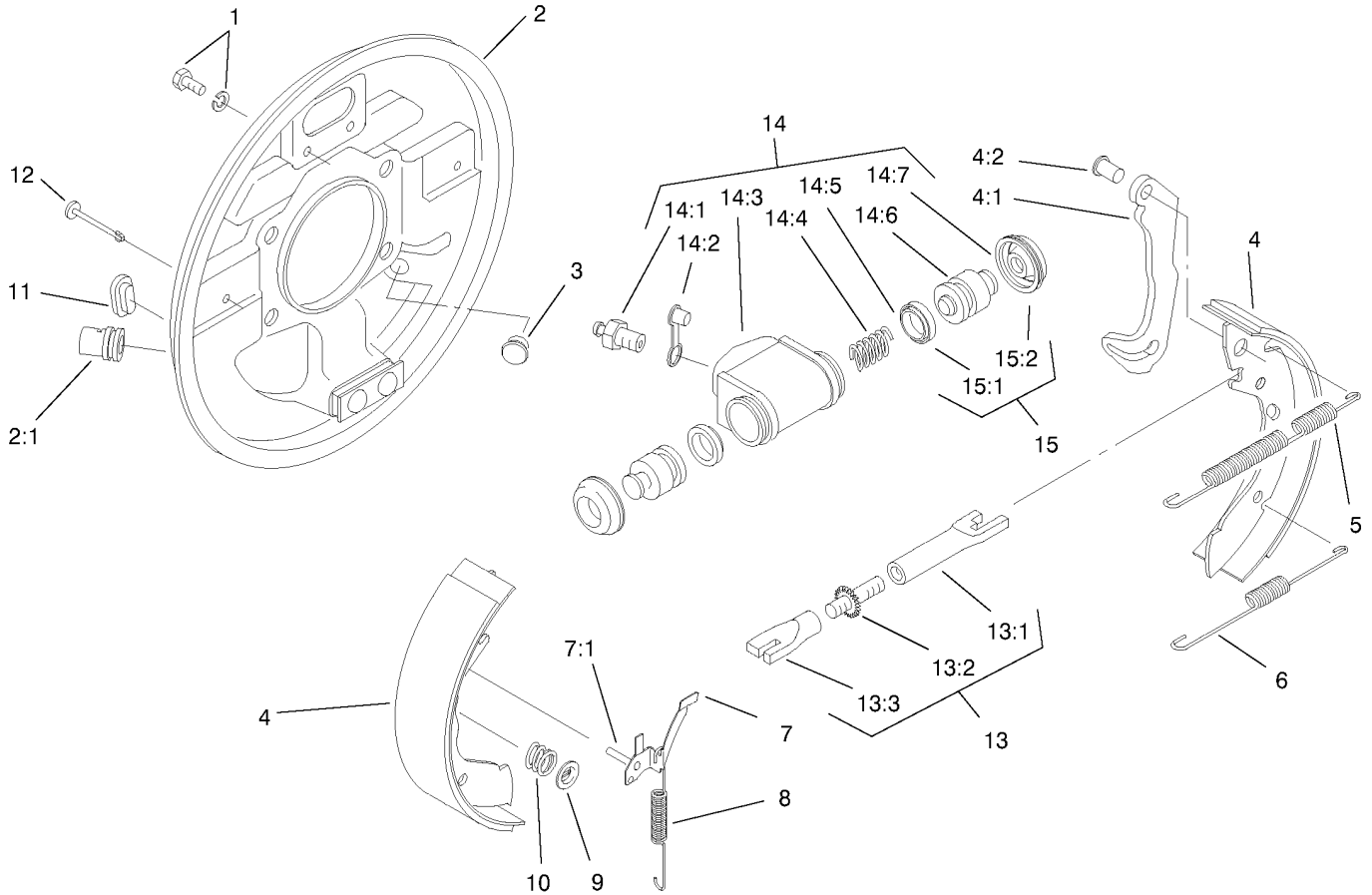
Ref	Part No.	Qty.	Description
1	87-4090	1	RH Rear Brake Tube ASM
2	87-3580	2	Clip-Retainer
3	3253-6	10	Washer-Lock
5	87-4080	1	LH Rear Brake Tube ASM
6	105-1764	2	Nut-Flange, Side Lock
7	104-9216	2	Washer-Hardened
8	87-2240-03	2	Housing-Axle
9	93-7126	1	LH Rear Brake ASM
10	93-7125	1	RH Rear Brake ASM
11	3253-21	8	Washer-Lock
12	323-6	8	Screw-HH
13	87-2080	10	Bolt-Hex, TAP
14	105-1717-03	2	Axle-Stub
15	93-7128	2	Drum-Brake
16:1	105-1781	1	Tire
16:2	87-6750	1	Wheel
16:3	232-27	1	Stem-Valve
17	23-7270	10	Nut-Wheel
18	87-1970	2	Bearing
19	87-4060	2	Spacer-Bearing, Wheel
20	87-3590	2	Seal-Bearing
21	87-7270	6	Washer-Thrust
22	325-20	5	Screw-HH
23	325-19	1	Screw-HH

Ref	Part No.	Qty.	Description
24	98-2918	2	Driveshaft ASM
25	32128-36	4	Nut-HF
26	98-2939	4	Screw-Cap
27	87-3310	2	Clip-Cable, Brake
28	80-6990	4	Washer-Hardened
30	105-7961	1	Rear Axle ASM
30:2	93-9442	1	Decal-Atf
30:3	93-9862	1	Decal-Danger
30:4	93-9449	2	Decal-Driveshaft
31	92-5951-03	1	Angle-Hitch
32	3296-39	4	Nut-Lock, NI
33	323-7	4	Screw-HH
35	92-4189	2	Strap Kit
36	92-4190	2	Yoke
37	105-1763	2	Screw-HHF



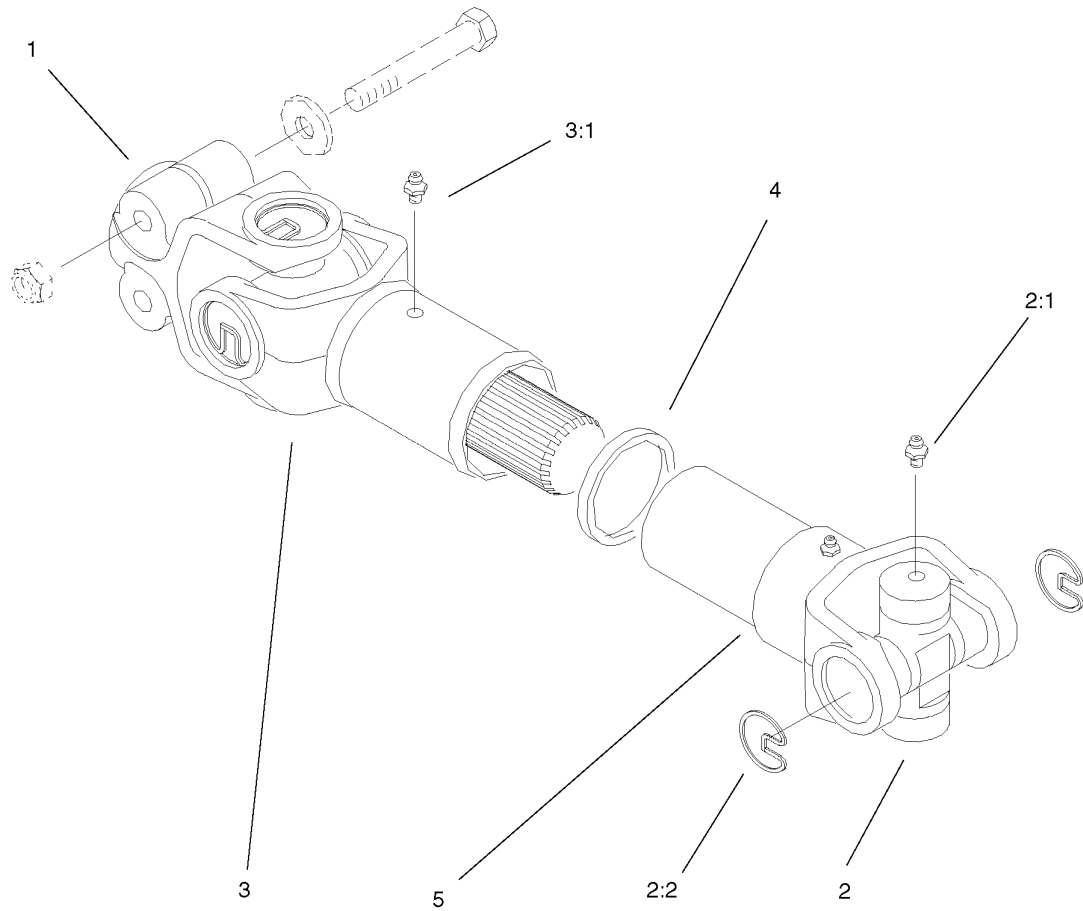
LH Rear Brake Assembly No. 93-7126

Ref	Part No.	Qty.	Description
1	92-4135	2	Bolt-Set
2	92-4136	1	LH Backplate ASM
3	92-4146	1	Plunger ASM
4	92-4143	1	Lined Shoe Kit
④4:1		1	Lever-Operating
5	92-4147	1	Spring-Return, Shoe (Upper, LH)
6	92-4149	1	Spring-Return, Shoe (Lower)
7	92-4123	1	LH Pawl Lever ASM
8	92-4150	1	Spring-Adjuster, LH
9	92-4131	2	Washer-Hold Down, Shoe
10	92-4152	2	Spring-Hold Down, Shoe
11	92-4134	1	Plug-Inspection
12	92-4133	2	Pin-Hold Down, Shoe
13	92-4144	1	LH Adjuster ASM
①13:1		1	Pushrod-Female
14	92-4140	1	LH Wheel Cylinder ASM
14:1	92-4137	1	Screw-Bleed
14:2	92-4114	1	Cap-Screw, Bleed
15	92-4142	1	Seal Kit
①15:1		2	Seal -L- Type



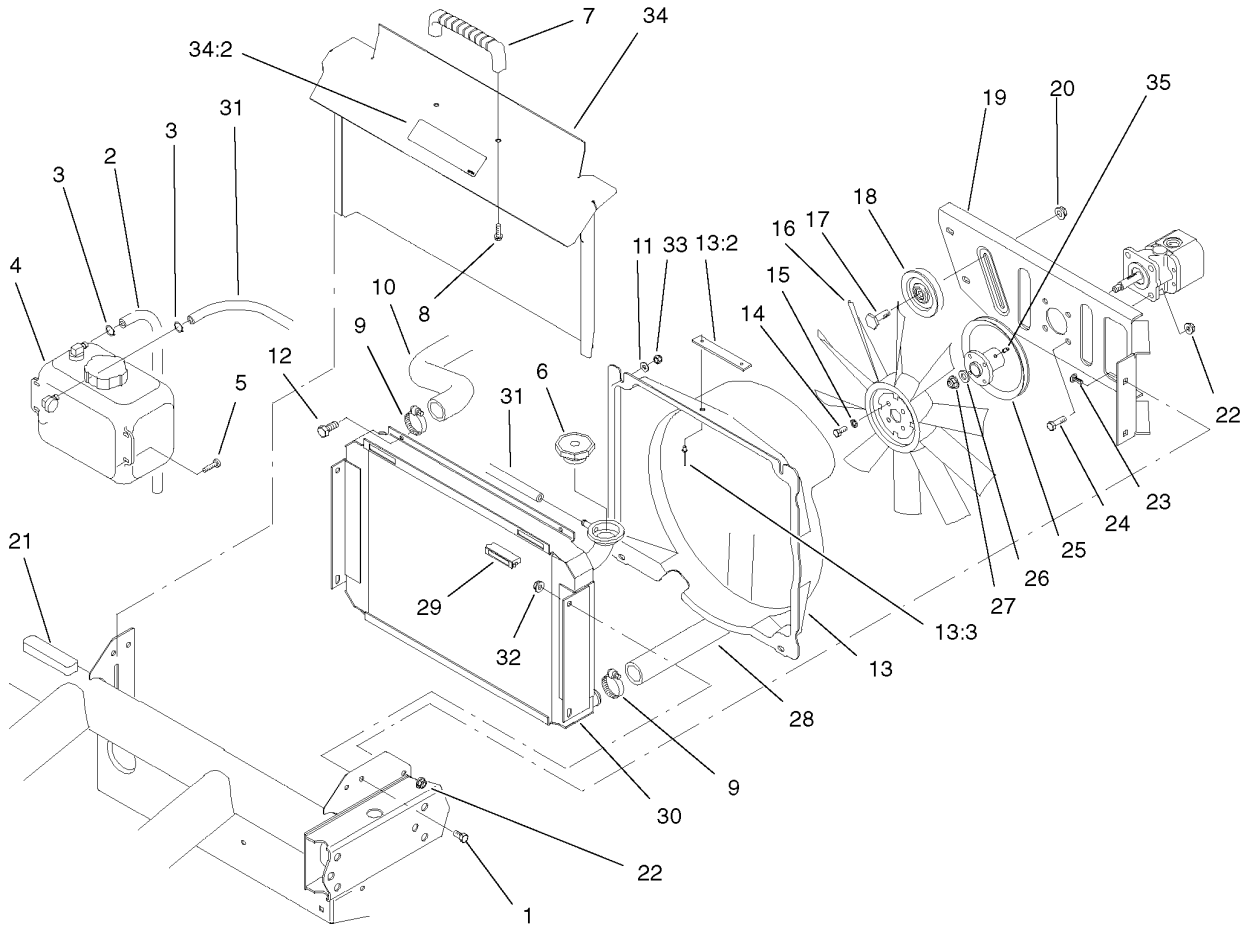
RH Rear Brake Assembly No. 93-7125

Ref	Part No.	Qty.	Description
1	92-4135	2	Bolt-Set
2	92-4100	1	RH Backplate ASM
3	92-4146	1	Plunger ASM
4	92-4143	1	Lined Shoe Kit
④4:1		1	Lever-Operating
5	92-4148	1	Spring-Return, Shoe (Upper, RH)
6	92-4149	1	Spring-Return, Shoe (Lower)
7	92-4124	1	RH Pawl Lever ASM
8	92-4151	1	Spring-Adjuster, RH
9	92-4131	2	Washer-Hold Down, Shoe
10	92-4152	2	Spring-Hold Down, Shoe
11	92-4134	1	Plug-Inspection
12	92-4133	2	Pin-Hold Down, Shoe
13	92-4145	1	RH Adjustor ASM
①13:1		1	Pushrod-Female
14	92-4141	1	RH Wheel Cylinder ASM
14:1	92-4137	1	Screw-Bleed
14:2	92-4114	1	Cap-Screw, Bleed
①14:5		2	Seal-L- Type
15	92-4142	1	Seal Kit
①15:1		2	Seal -L- Type



Driveshaft Assembly No. 98-2918

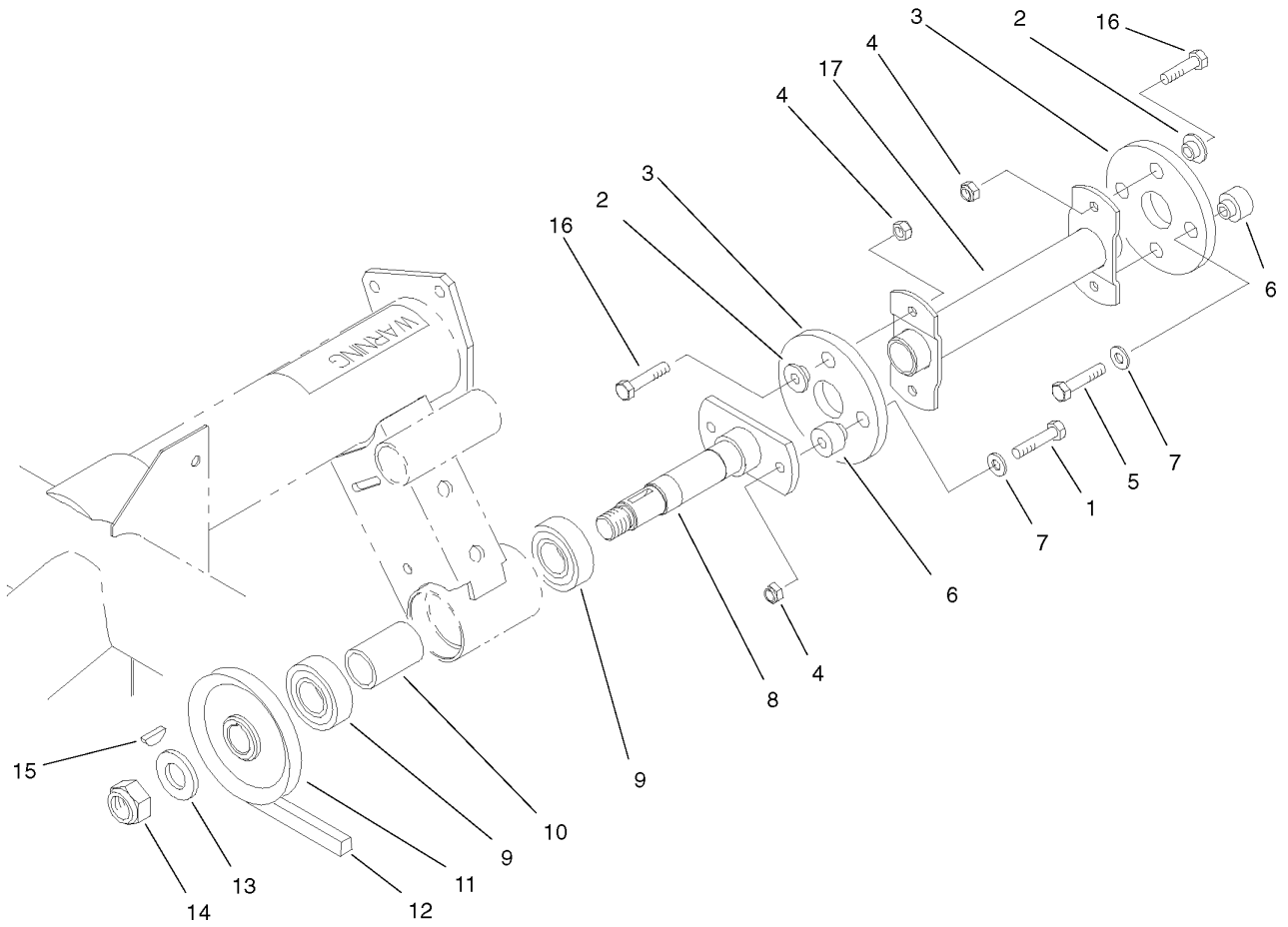
Ref	Part No.	Qty.	Description
1	98-2940	1	Yoke
2	92-4187	2	Cross And Bearing Kit
2:1	302-58	2	Fitting-Grease
2:2	92-4188	2	Ring-Snap
3	92-4179	1	Yoke-Tube, Shaft And Seal
3:1	302-5	1	Fitting-Grease
4	92-4180	1	Seal
5	92-4182	1	Yoke And Hub



Radiator and Hydraulic Pump Assembly

Ref	Part No.	Qty.	Description
1	322-2	4	Screw-HH
2	71-3381	1	Hose-Fuel
3	92-2379	2	Clamp-Hose
4	87-3710	1	Reservoir-Coolant
5	3250-20	4	Screw-PPH
6	66-3240	1	Cap-Radiator
7	65-5100	1	Handle-Door
8	46-8091	2	Screw-HWH
9	2412-34	2	Clamp-Hose
10	105-1724	1	Hose-Radiator, Upper
11	3256-22	4	Washer-Flat
12	321-4	4	Screw-HH
13	105-7956	1	Fan Shroud ASM
13:2	98-9335	1	Plate-Warning, Fan
13:3	3290-271	2	Rivet-Pop
14	321-3	4	Screw-HH
15	3253-3	4	Washer-Lock
16	84-1880	1	Fan
17	32141-86	1	Screw-Leveler
18	63-8140	1	Pulley-Idler
19	93-7088-03	1	Plate-Mount, Pump
20	3290-357	1	Nut-HHF, Whiz
21	87-9810	1	Foam-Overflow, Tank
22	3296-29	8	Nut-Lock, NI

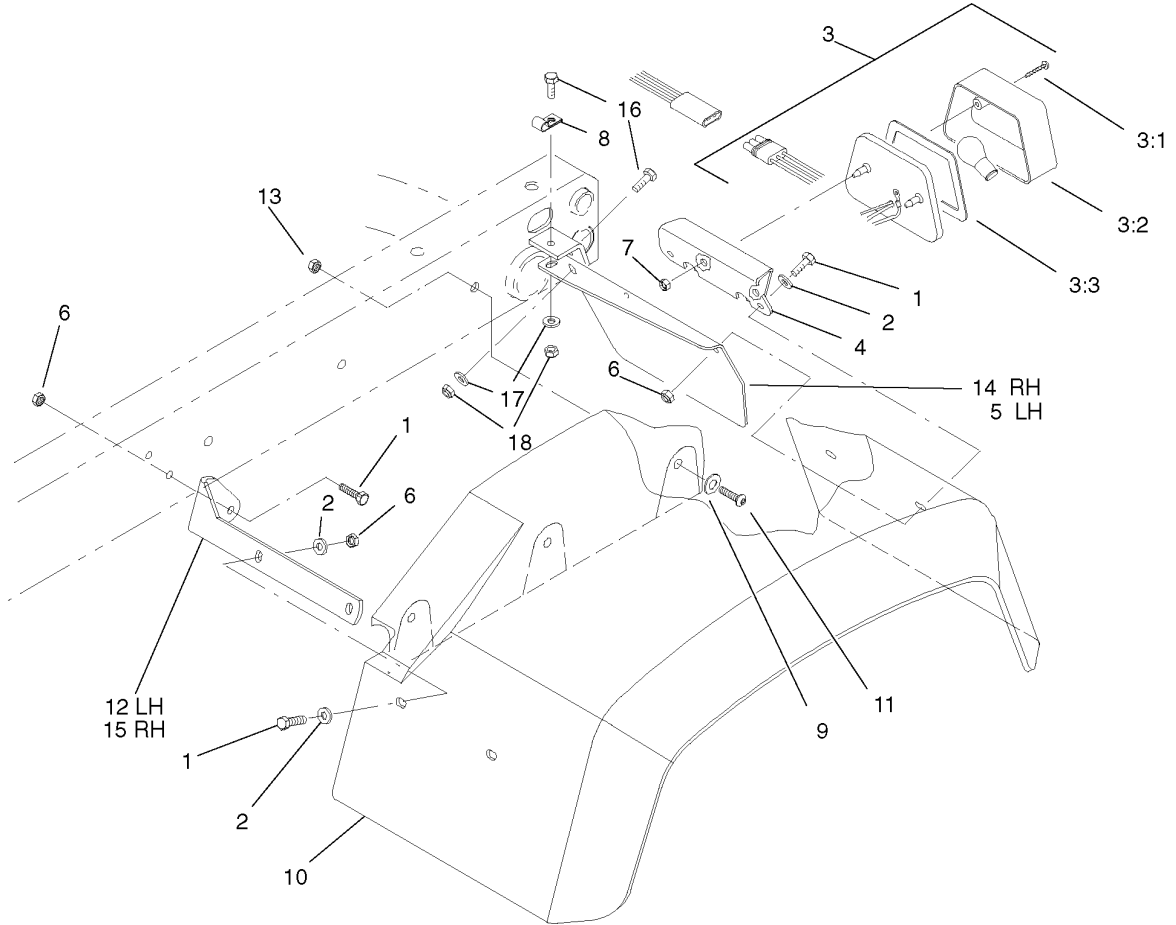
Ref	Part No.	Qty.	Description
23	3230-23	4	Screw-CARR
24	322-5	4	Screw-HH
25	94-5237	1	Fan Hub ASM
26	3256-45	1	Washer-Flat
27	3296-5	1	Nut-Lock
28	105-1725	1	Hose-Radiator, Lower
29	58-4250	2	Catch-Magnetic
30	93-7051	1	Radiator
31	71-3383	1	Hose-Fuel
32	32128-20	4	Nut-HF
33	3296-42	4	Nut-Lock, NI
34	105-4223	1	Radiator Cover ASM
34:2	93-9447	1	Decal-Caution
35	3245-31	1	Screw-HSH



Fan and Hydraulic Pump Drive Assembly

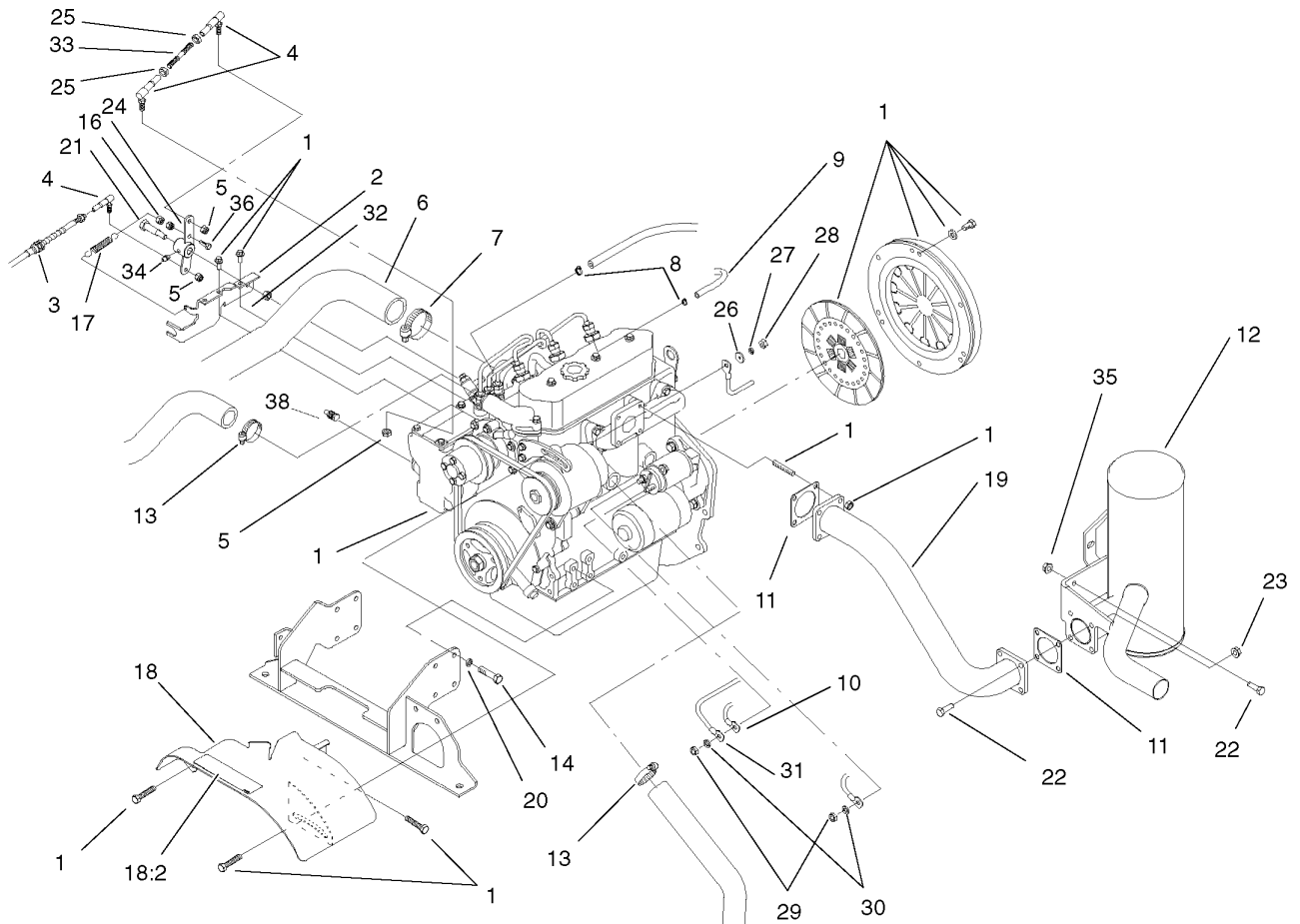
Ref	Part No.	Qty.	Description
1	322-7	2	Screw-HH
2	27-6600	4	Spacer-Coupling
3	44-2230	2	Coupling-Rubber
4	3296-29	6	Nut-Lock, NI
5	48-7740	2	Screw
6	27-6590	4	Spacer-Coupling, Rubber
7	3256-3	4	Washer-Flat
8	87-2720-03	1	Shaft-Mask
9	251-82	2	Bearing-Ball
10	87-2750	1	Spacer-Bearing
11	87-3370-03	1	Pulley And Hub-Mask
12	93-7140	1	V-Belt-Pump
13	3256-28	1	Washer-Flat
14	3296-15	1	Nut-Lock, NI
15	3257-7	1	Key-Woodruff
16	322-5	4	Screw-HH
17	87-4440-03	1	Driveshaft ASM

--	--	--	--



Tail Light and Fender Assembly

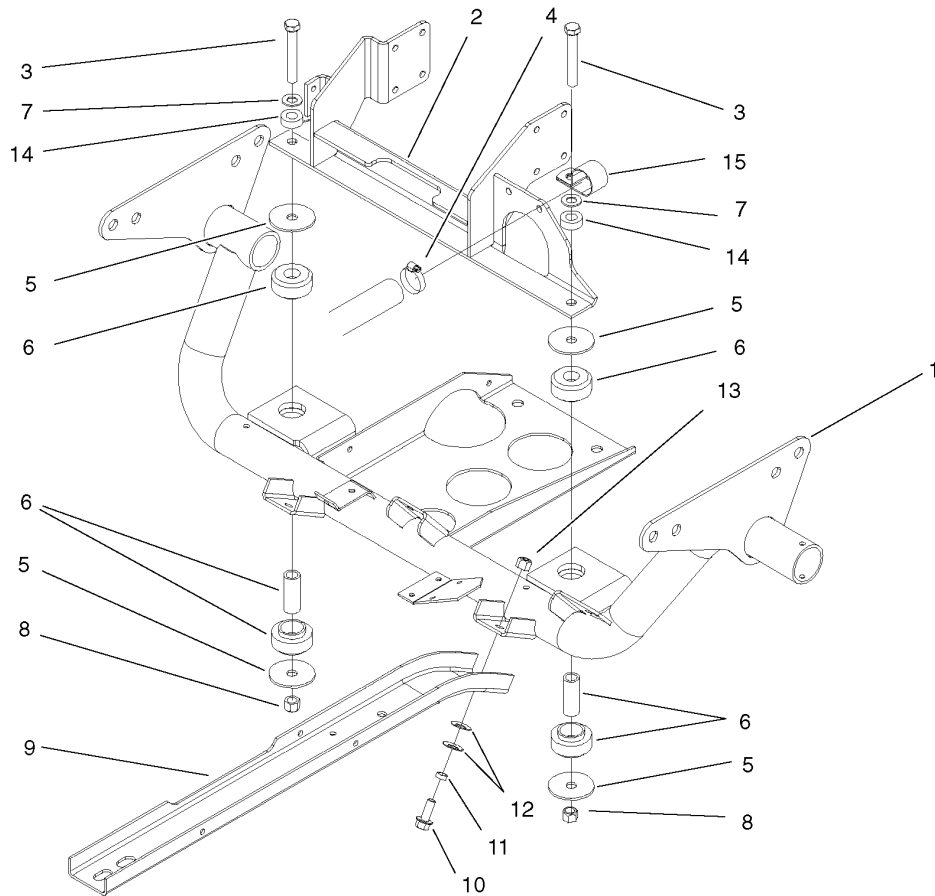
Ref	Part No.	Qty.	Description
1	321-6	12	Screw-HH
2	3256-22	12	Washer-Flat
3	87-2110	1	Light-Tail / Brake
3:1	32144-93	4	Screw-PPHTF
3:2	87-6300	2	Lens-Light, Tail
3:3	87-6310	2	Gasket-Light, Tail
4	87-5770-03	1	Bracket-Light, Tail
5	93-8943-03	1	Bracket-Fender, LH Rear
6	3296-42	12	Nut-Lock, NI
7	3290-506	2	Palnut
8	2412-93	1	Clamp-R
9	3256-24	6	Washer-Flat
10	87-6660	2	Fender-Rear, 24 Inch
11	3274-94	6	Screw-HSBH
12	93-8941-03	1	Bracket-Fender, Front LH
13	3296-39	6	Nut-Lock, NI
14	93-8944-03	1	Bracket-Fender, Rear RH
15	93-8942-03	1	Bracket-Fender, Front RH
16	322-5	4	Screw-HH
17	3256-23	4	Washer-Flat
18	3296-29	4	Nut-Lock, NI



Engine Assembly

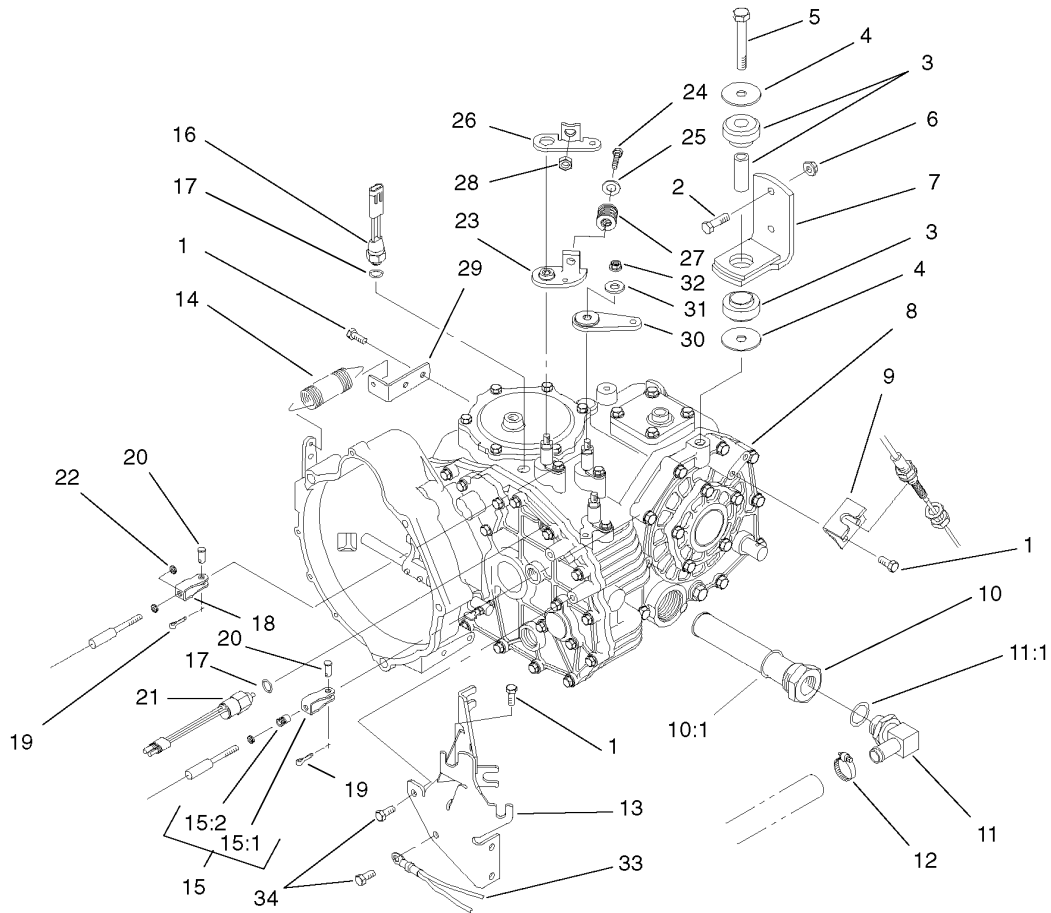
Ref	Part No.	Qty.	Description
1	105-4152	1	Engine ASM
2	105-1736	1	Bracket-Accelerator
3	105-1788	1	Cable-Accelerator
4	18-1720	3	Governor Ball Joint ASM
5	3296-3	3	Nut-Lock
6	105-1754	1	Hose-Air Intake
7	2412-92	1	Clamp-Hose
8	2412-108	2	Clamp-Worm
9	63-7600	1	Hose-Fuel
10	99-3441	4	Harness-Wire, Fusible Link
11	105-4209	1	Gasket-Muffler
12	105-1778	1	Muffler-Exhaust
13	2412-34	2	Clamp-Hose
14	33114-020	8	Screw-HH
17	86-4760	1	Spring-Extension
18	105-7995	1	Engine Cover ASM
18:2	93-7814	1	Decal-Danger
19	105-4186	1	Exhaust Tube ASM
20	3253-4	8	Washer-Lock
21	7-0030	1	Bolt-Shoulder
22	322-5	6	Screw-HH
23	32128-25	4	Nut-HF
24	105-1726	1	Bell Crank ASM
25	3220-1	2	Nut-Jam

Ref	Part No.	Qty.	Description
26	3256-2	1	Washer-Flat
27	43-5920	1	Washer-Lock, Spring
28	48-7880	1	Nut-Hex
29	33014-00	2	Nut-Hex
30	3254-2	2	Washer-Lock, Internal
31	87-3070	1	Cable-Battery, Positive
32	3296-29	1	Nut-Lock, NI
33	105-1789	1	Rod-Threaded
34	302-5	1	Fitting-Grease
35	32128-20	2	Nut-HF
36	321-5	1	Screw-HH
37	3296-56	2	Nut-Lock, NI
38	94-3457	1	Sender-Temperature



Engine Support Assembly

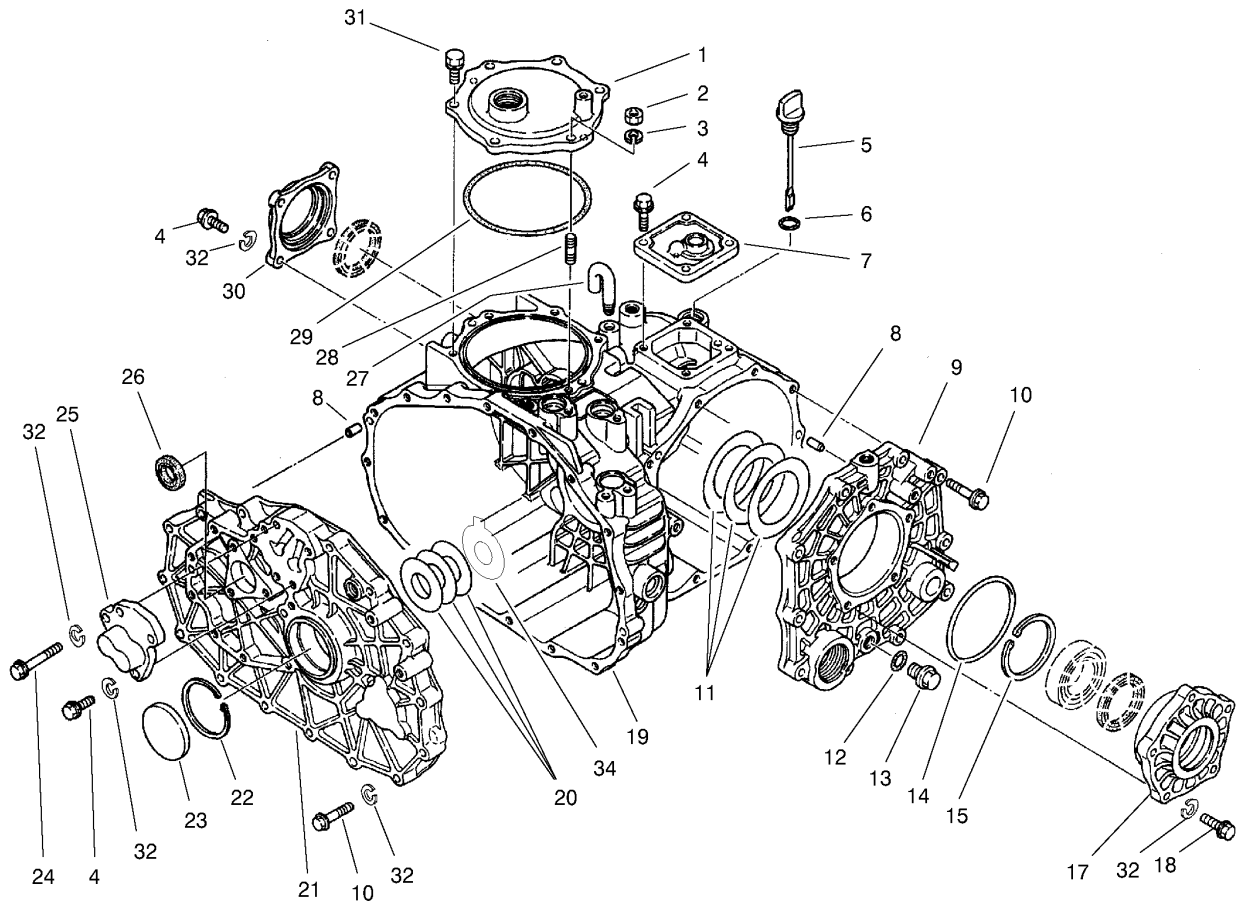
Ref	Part No.	Qty.	Description
1	105-4200-03	1	Engine Support ASM
2	104-9238-03	1	Engine Mount ASM
3	324-19	2	Screw-HH
4	2412-34	1	Clamp-Hose
5	87-5100	4	Washer-Snubbing
6	87-4970	2	Engine Mount ASM
7	3256-25	2	Washer-Flat
8	3296-48	2	Nut-Lock, NI
9	87-4730-03	2	Guard-Belly
10	3234-11	6	Screw-HHF
11	76-9100	6	Spacer-Speed, Reel
12	3290-413	12	Washer-Belleville
13	3296-39	6	Nut-Lock, NI
14	59-2290	2	Spacer
15	2412-82	1	Clamp



Transaxle Assembly

Ref	Part No.	Qty.	Description
1	33114-020	5	Screw-HH
2	323-7	4	Screw-HH
3	87-4970	2	Engine Mount ASM
4	87-5100	4	Washer-Snubbing
5	3215-1	2	Screw-HH
6	3296-39	4	Nut-Lock, NI
7	87-5800-03	2	Transaxle Mount ASM
8	105-4190	1	4Wd Transaxle ASM (Only On: 07217Tc)
8	105-4180	1	2Wd Transaxle ASM (Only On: 07213Tc)
9	87-4470	1	Bracket-Lock, Differential
10	87-3990	1	Strainer-Transaxle
10:1	237-123	1	O-Ring
11	353-987	1	Fitting-HYD, 90 DEG
11:1	237-81	1	O-Ring
12	2412-34	1	Clamp-Hose
13	105-4207-03	1	Cable Mount ASM
14	68-9950	1	Spring-Traction
15	87-7160	1	Cable Clevis ASM
15:1	87-2310	1	Clevis-Cable
15:2	32148-15	1	Nut-Insert
16	72-4310	1	Switch-Ball
17	237-30	2	O-Ring

Ref	Part No.	Qty.	Description
18	87-2310	2	Clevis-Cable
19	3272-6	3	Pin-Cotter
20	283-62	3	Pin-Clevis
21	87-6710	1	Switch-Transmission
22	3220-1	2	Nut-Jam
23	87-7970	1	Arm-Shift
24	323-10	1	Screw-HH
25	3256-4	1	Washer-Flat
26	87-8250	1	Plate-Arm, Shift
27	87-6910	1	Spring-Compression
28	32128-21	1	Nut-HF
29	87-7170	1	Bracket-Spring, Clutch
30	87-7960	2	Lever-Shift
31	80-6990	3	Washer-Hardened
32	48-9520	3	Nut
33	87-3080	1	Cable-Battery, Negative
34	33114-025	2	Screw-HH

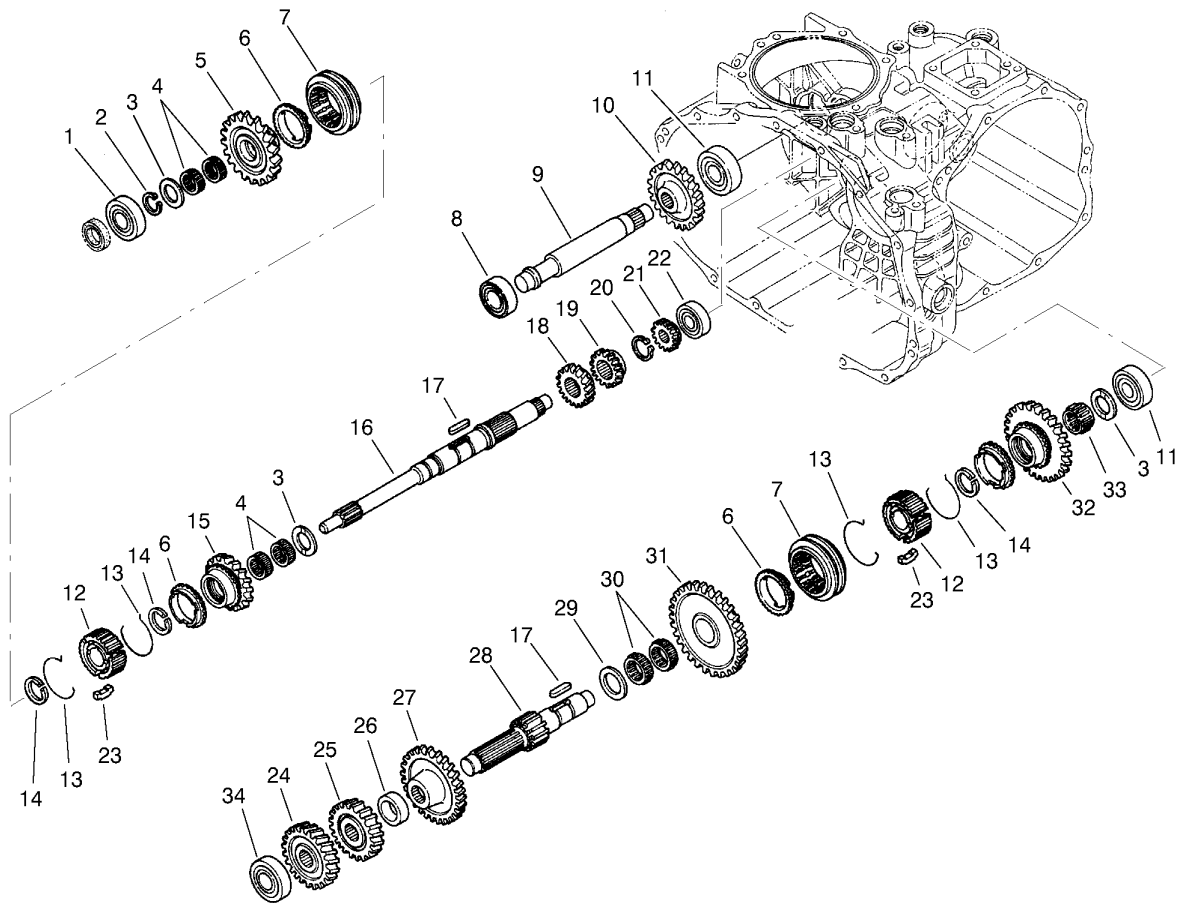


Case Assembly

Transaxle Assembly No. 105-4180 (only on: 07213TC)

Ref	Part No.	Qty.	Description
1	92-0656	1	Cover-Upper, PTO
2	48-7930	1	Nut
3	92-0762	1	Washer-Spring
4	60-6750	11	Bolt
5	92-0662	1	Cap-Oil
6	92-0788	1	O-Ring
7	92-0652	1	Cover-Upper
8	92-0765	4	Pin-Parallel
9	92-0653	1	Cover-Side
10	42-9530	25	Bolt/Washer
11	92-0809	1	Set-Shim
12	92-0787	1	O-Ring
13	92-0773	1	Plug-Drain
14	92-0789	1	O-Ring
15	92-0760	1	Ring-Snap
17	92-0654	1	Carrier-Differential
18	48-7730	5	Screw-HH
19	92-0651	1	Case-Transmission
20	100-4460	1	Shim Set
21	100-4461	1	Plate-Center
22	92-0759	1	Ring-Snap
23	92-0807	1	Cap-Sealing
24	48-7560	1	Bolt-HH
25	92-0706	1	Shaft-Fork

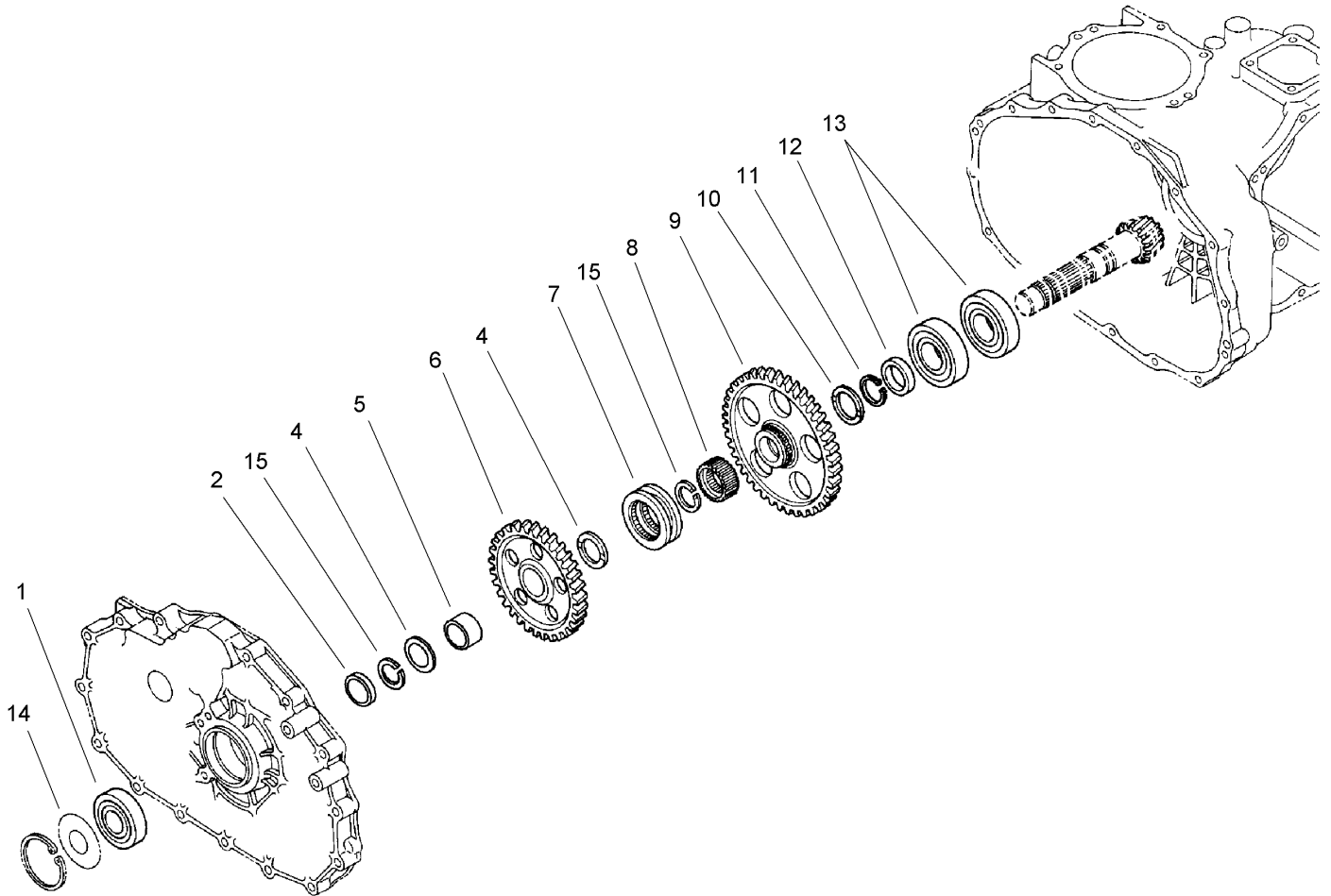
Ref	Part No.	Qty.	Description
26	92-0791	1	Seal-Oil
27	92-0743	1	Breather-Air
28	92-0804	1	Stud
29	92-0790	1	O-Ring
30	92-0655	1	Cover-Seal, Axle
31	92-0796	5	Bolt
32	42-9850	42	Washer-Lock, Spring
34	100-4465	1	Shim (W/Tab)



Gear Shaft Assembly Transaxle Assembly No. 105-4180 (only on: 07213TC)

Ref	Part No.	Qty.	Description
1	251-8	1	Bearing-Ball
2	92-0753	1	Ring-Snap
3	92-0740	3	Washer-Thrust
4	92-0781	4	Bearing-Needle
5	92-0820	1	Gear-Main, 27 Tooth
6	92-0667	3	Ring-Synchro
7	92-0668	2	Shifter-Synchro
8	251-346	2	Bearing-Ball
9	92-0824	1	Shaft-Idler, Reverse
10	92-0684	1	Gear-Reverse, 33 Tooth
11	92-0778	2	Bearing
12	92-0664	2	Hub-Synchro
13	92-0666	4	Spring-Synchro
14	92-0763	3	Ring-Snap
15	92-0821	1	Gear-Main, 24 Tooth
16	92-0663	1	Shaft-Main
17	92-0772	2	Key
18	92-0687	1	Gear-Main, 16 Tooth
19	92-0672	1	Gear-Main, 18 Tooth
20	92-0754	1	Ring-Snap
21	92-0673	1	Gear-Main, 14 Tooth
22	92-0650	1	Bearing
23	92-0665	6	Key-Synchro
24	92-0822	1	Gear-Reduction, 28 Tooth

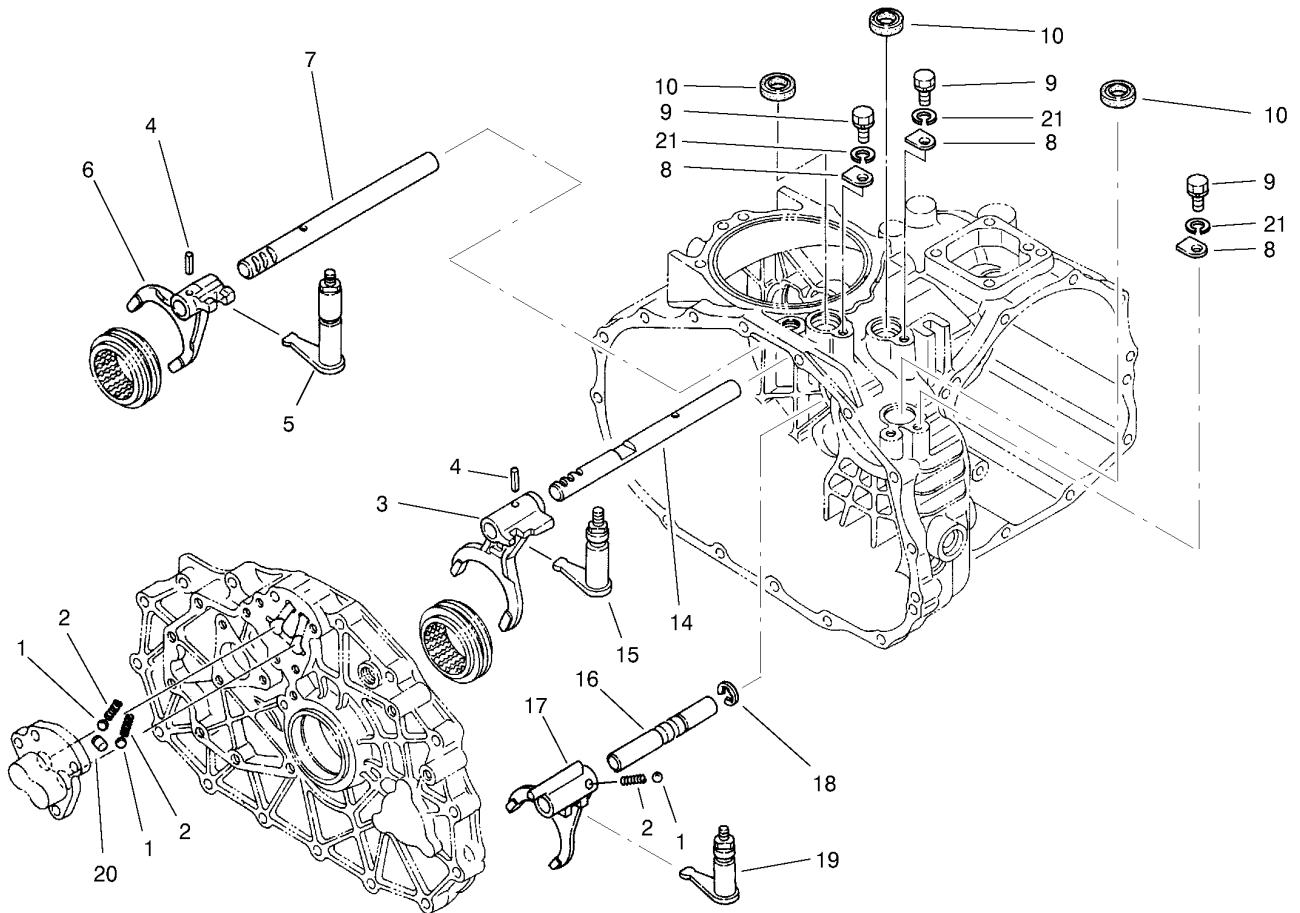
Ref	Part No.	Qty.	Description
25	92-0679	1	Gear-Reduction, H23 Tooth
26	92-0680	1	Collar
27	92-0823	1	Gear-Reduction, 43 Tooth
28	92-0674	1	Shaft-Reduction
29	92-0682	1	Washer-Thrust
30	92-0681	2	Bearing-Needle
31	92-0677	1	Gear-Reduction, 49 Tooth
32	92-0819	1	Gear-Reduction, 40 Tooth
33	92-0782	1	Bearing-Needle
34	105-7985	1	Bearing



Countershaft Assembly Transaxle Assembly No. 105-4180

Ref	Part No.	Qty.	Description
1	92-0712	1	Bearing-Ball
2	92-0716	1	Collar
4	92-0711	2	Washer-Thrust
5	92-0783	1	Race-Inner
6	92-0715	1	Gear-Shaft, Counter
7	92-0718	1	Shifter
8	105-7986	1	Collar-Spline
9	92-0717	1	Gear-Shaft, Counter
10	92-0741	1	Washer-Thrust
11	92-0755	1	Ring-Snap
12	92-0713	1	Collar
13	92-0714	2	Bearing
14	92-0710	1	Gear-Ring
15	105-7987	2	Ring-Snap

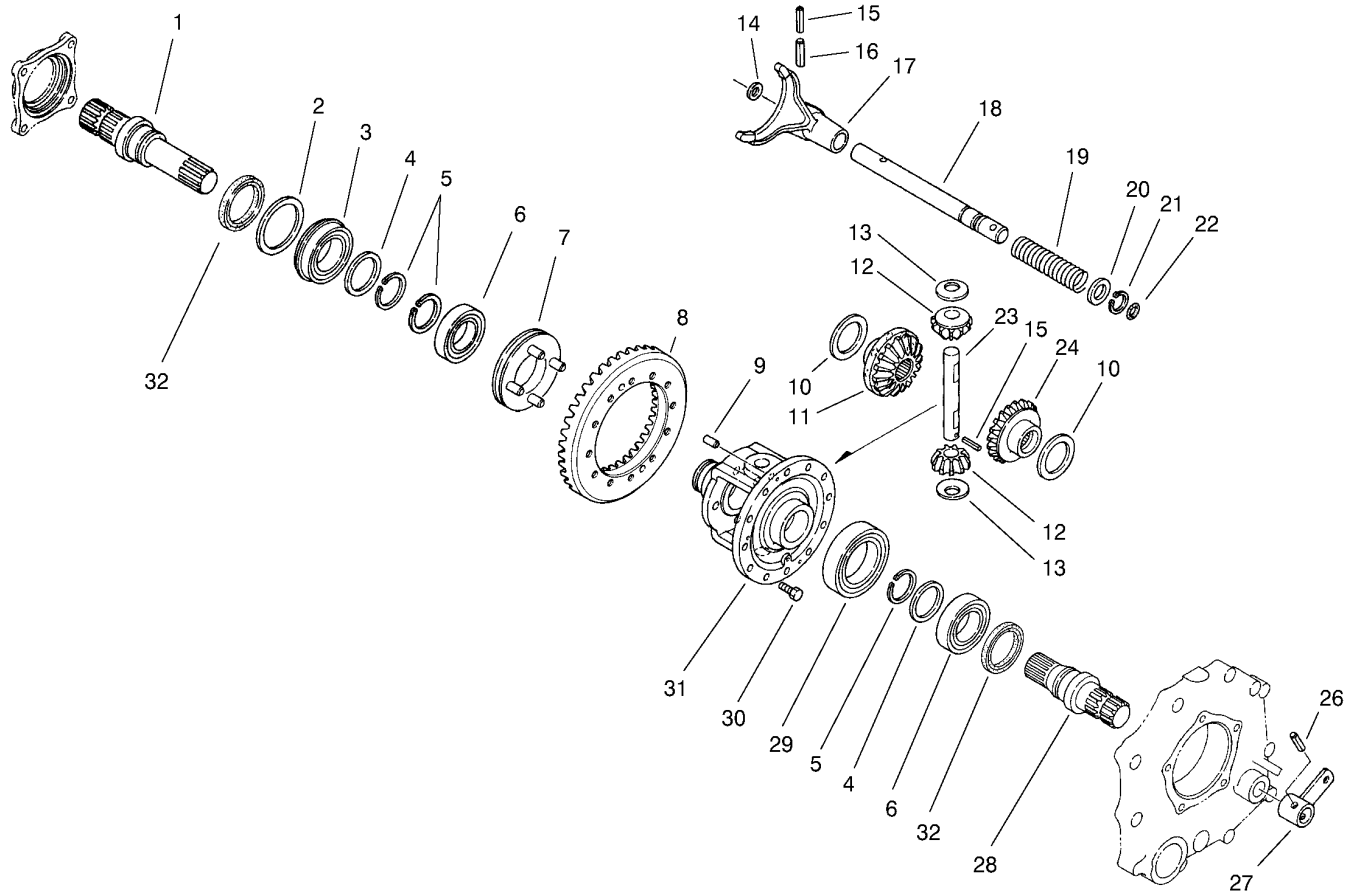
--	--	--	--



Shift Fork Assembly

Transaxle Assembly No. 105-4180 (only on: 07213TC)

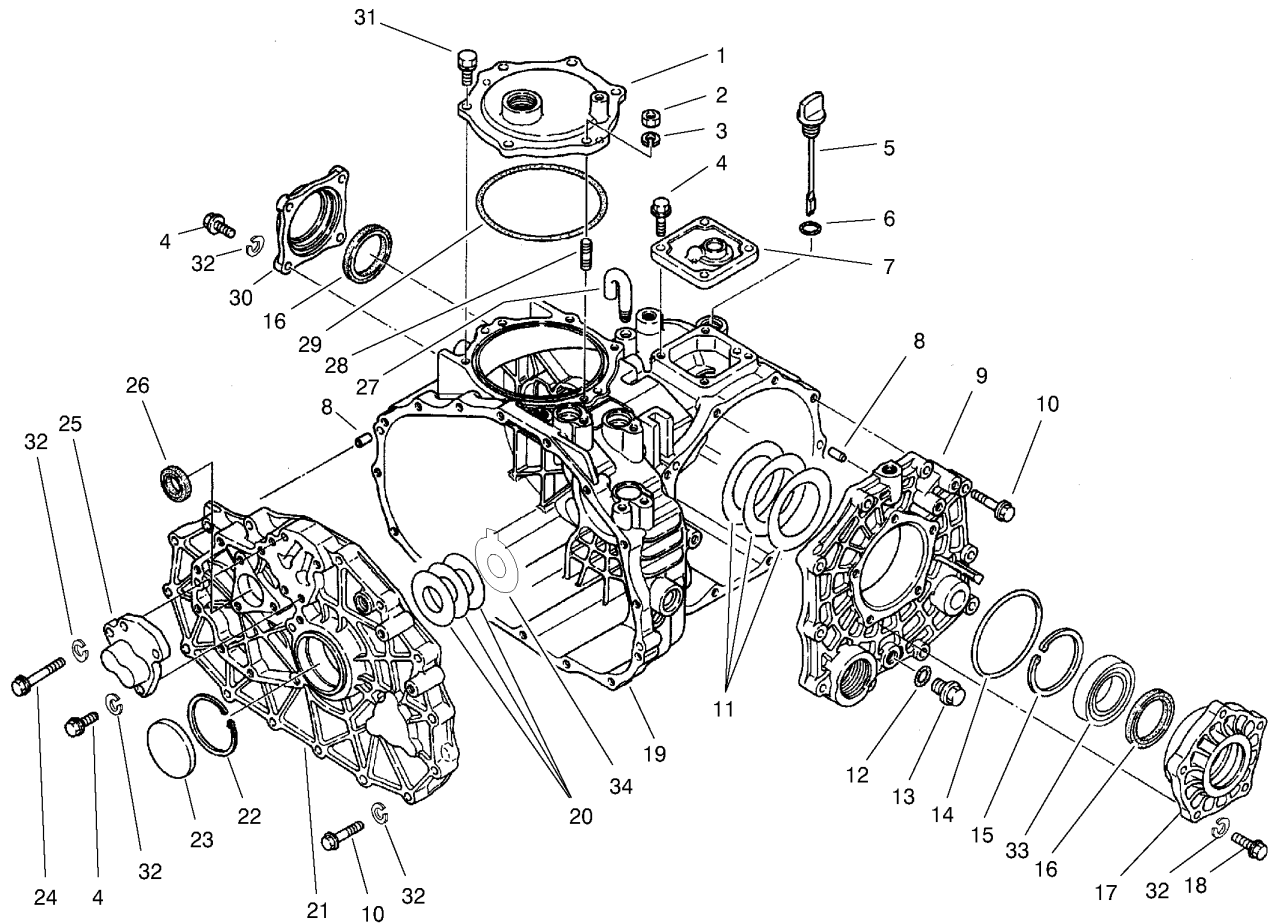
Ref	Part No.	Qty.	Description
1	92-0785	3	Ball-Steel
2	92-0731	3	Spring
3	92-0700	1	Fork-Shift
4	92-0769	2	Pin-Roll
5	92-0817	1	Arm-Shift
6	92-0701	1	Fork-Shift
7	92-0699	1	Shaft-Fork
8	92-0732	3	Plate-Keeper
9	48-7700	3	Screw-HH
10	92-0729	3	Seal-Oil
14	92-0698	1	Shaft-Fork
15	92-0816	1	Arm-Shift
16	92-0708	1	Shaft-Fork
17	92-0709	1	Fork-Shift
18	92-0761	1	Ring-E
19	92-0818	1	Arm-Shift
20	92-0705	1	Lock-Spindle
21	42-9850	3	Washer-Lock, Spring



Differential Gear Assembly Transaxle Assembly No. 105-4180 (only on: 07213TC)

Ref	Part No.	Qty.	Description
1	92-0726	1	Shaft-Axle, Right
2	92-0728	1	Washer
3	92-0780	1	Bearing
4	92-0727	2	Washer
5	92-0756	3	Ring-Snap
6	92-0775	2	Bearing
7	92-0730	1	Slider-Differential, Lock
8	105-7983	1	Countershaft And Ring Gear
9	92-0765	2	Pin-Parallel
10	92-0747	2	Side-Gear, Left Inner
11	92-0746	1	Gear-Side, RH
12	92-0748	2	Pinion-Differential
13	92-0750	2	Washer
14	92-0744	1	Washer
15	92-0768	2	Pin-Roll, Spring
16	92-0771	1	Pin-Roll, Spring
17	92-0721	1	Fork-Lock, Differential
18	92-0722	1	Shaft-Fork, Lock Differential
19	92-0723	1	Spring-Lock, Differential
20	92-0733	1	Washer
21	92-0753	1	Ring-Snap
22	92-0787	1	O-Ring
23	92-0749	1	Shaft-Pinion
24	92-0745	1	Gear-Side, LH

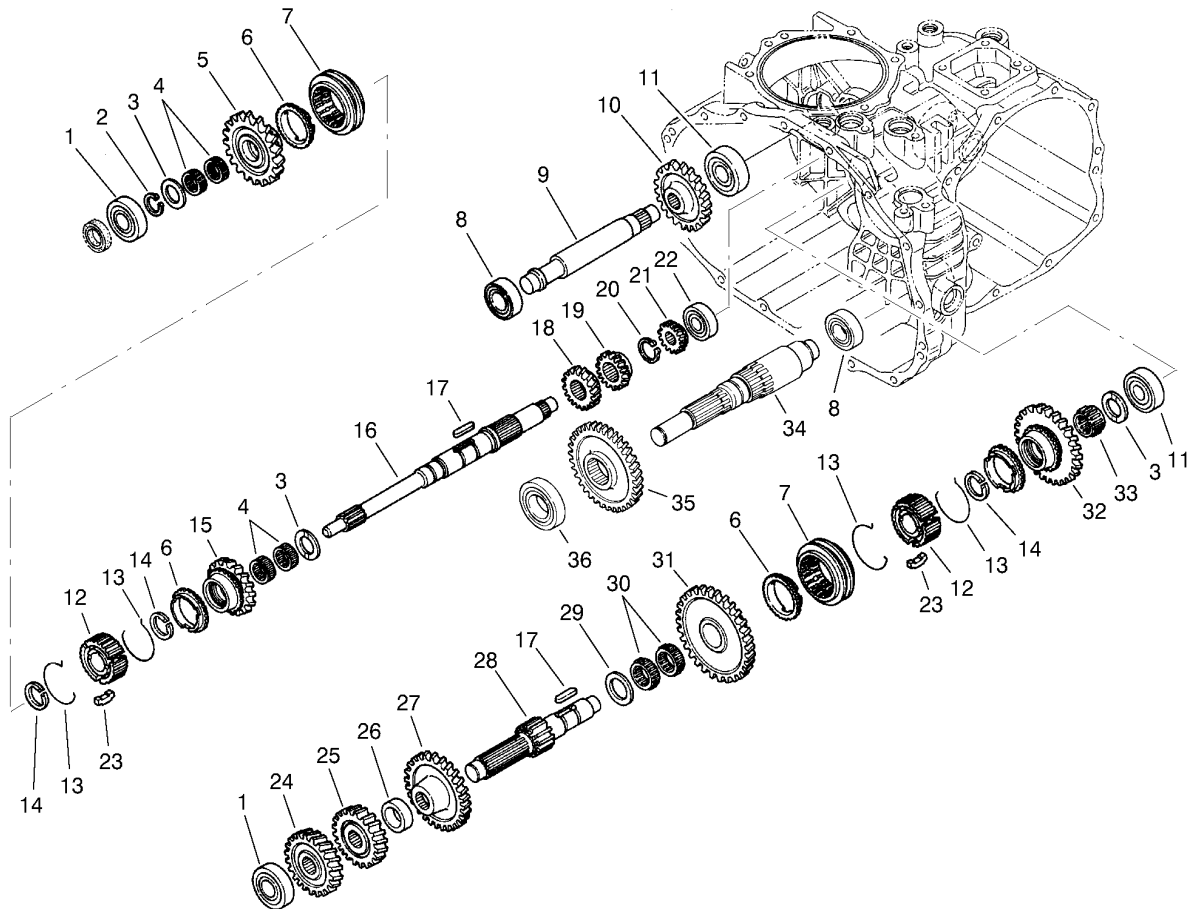
Ref	Part No.	Qty.	Description
26	92-0770	1	Pin-Roll, Spring
27	92-0724	1	Arm-Lock, Differential
28	92-0725	1	Shaft-Axle, Left
29	92-0776	1	Bearing
30	92-0803	12	Bolt
31	92-0720	1	Case-Differential
32	92-0793	2	Seal-Oil



Case Assembly Transaxle Assembly No. 105-4190 (only on: 07217TC)

Ref	Part No.	Qty.	Description
1	92-0656	1	Cover-Upper, PTO
2	48-7930	1	Nut
3	92-0762	1	Washer-Spring
4	60-6750	11	Bolt
5	92-0662	1	Cap-Oil
6	92-0788	1	O-Ring
7	92-0652	1	Cover-Upper
8	92-0765	4	Pin-Parallel
9	92-0653	1	Cover-Side
10	42-9530	25	Bolt/Washer
11	92-0809	1	Set-Shim
12	92-0787	1	O-Ring
13	92-0773	1	Plug-Drain
14	92-0789	1	O-Ring
15	92-0760	1	Ring-Snap
17	92-0654	1	Carrier-Differential
18	48-7730	5	Screw-HH
19	92-0651	1	Case-Transmission
20	100-4460	1	Shim Set
21	100-4462	1	Plate-Center, 4Wd
22	92-0759	1	Ring-Snap
23	92-0807	1	Cap-Sealing
24	48-7560	1	Bolt-HH
25	92-0706	1	Shaft-Fork

Ref	Part No.	Qty.	Description
26	92-0791	1	Seal-Oil
27	92-0743	1	Breather-Air
28	92-0804	1	Stud
29	92-0790	1	O-Ring
30	92-0655	1	Cover-Seal, Axle
31	92-0796	5	Bolt
32	42-9850	42	Washer-Lock, Spring
34	100-4465	1	Shim (W/Tab)

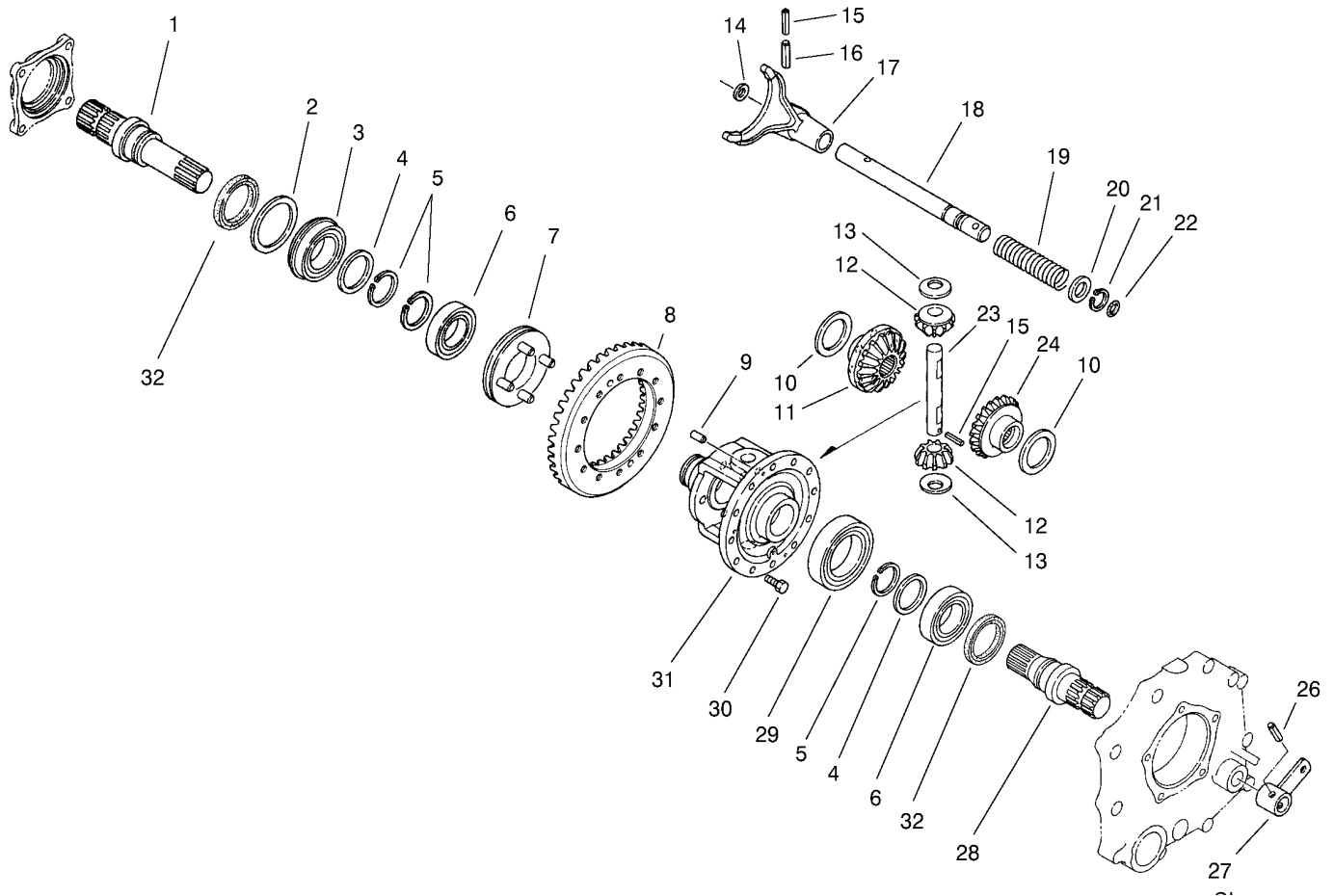


Gear Shaft Assembly

Transaxle Assembly No. 105-4190 (only on: 07217TC)

Ref	Part No.	Qty.	Description
1	251-8	1	Bearing-Ball
2	92-0753	1	Ring-Snap
3	92-0740	3	Washer-Thrust
4	92-0781	4	Bearing-Needle
5	92-0820	1	Gear-Main, 27 Tooth
6	92-0667	3	Ring-Synchro
7	92-0668	2	Shifter-Synchro
8	251-346	2	Bearing-Ball
9	92-0824	1	Shaft-Idler, Reverse
10	92-0684	1	Gear-Reverse, 33 Tooth
11	92-0778	2	Bearing
12	92-0664	2	Hub-Synchro
13	92-0666	4	Spring-Synchro
14	92-0763	3	Ring-Snap
15	92-0821	1	Gear-Main, 24 Tooth
16	92-0663	1	Shaft-Main
17	92-0772	2	Key
18	92-0687	1	Gear-Main, 16 Tooth
19	92-0672	1	Gear-Main, 18 Tooth
20	92-0754	1	Ring-Snap
21	92-0673	1	Gear-Main, 14 Tooth
22	92-0650	1	Bearing
23	92-0665	6	Key-Synchro
24	92-0822	1	Gear-Reduction, 28 Tooth

Ref	Part No.	Qty.	Description
25	92-0679	1	Gear-Reduction, H23 Tooth
26	92-0680	1	Collar
27	92-0823	1	Gear-Reduction, 43 Tooth
28	92-0674	1	Shaft-Reduction
29	92-0682	1	Washer-Thrust
30	92-0681	2	Bearing-Needle
31	92-0677	1	Gear-Reduction, 49 Tooth
32	92-0819	1	Gear-Reduction, 40 Tooth
33	92-0782	1	Bearing-Needle
34	92-5183	1	Driveshaft-Front
35	92-5184	1	Gear
36	92-5185	1	Bearing
37	105-7985	1	Bearing

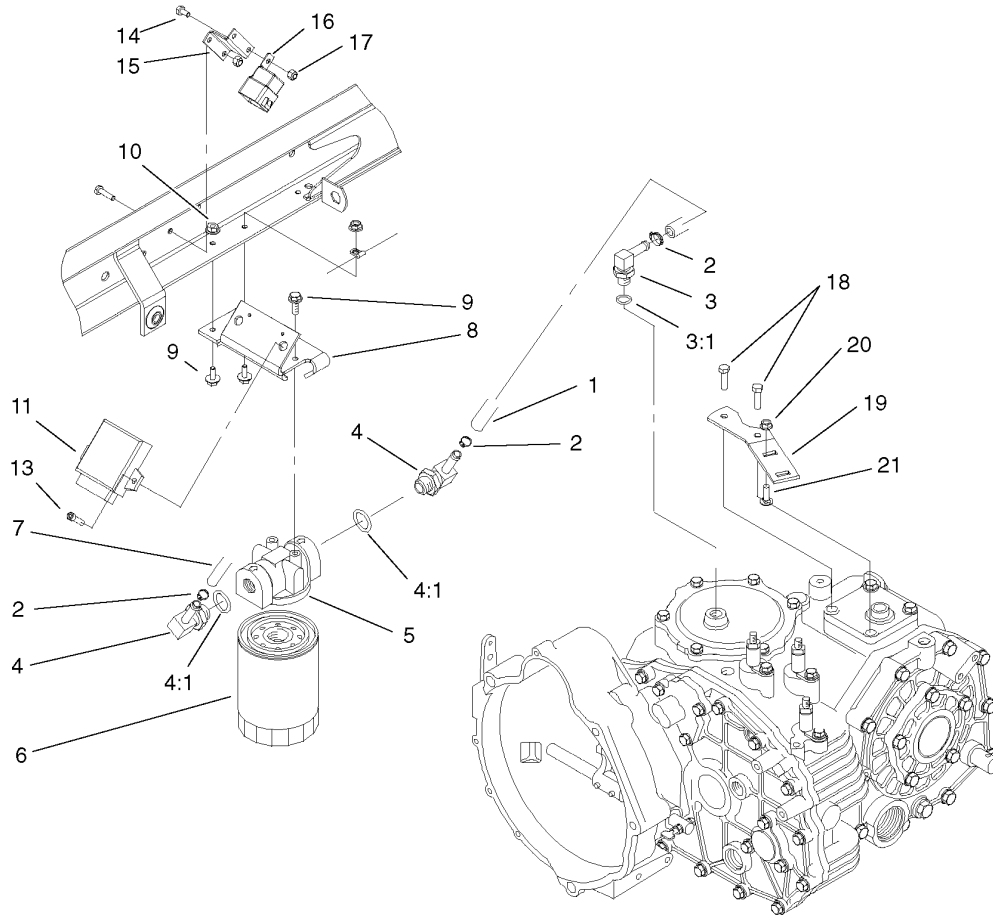


Differential Gear Assembly

Transaxle Assembly No. 105-4190 (only on: 07217TC)

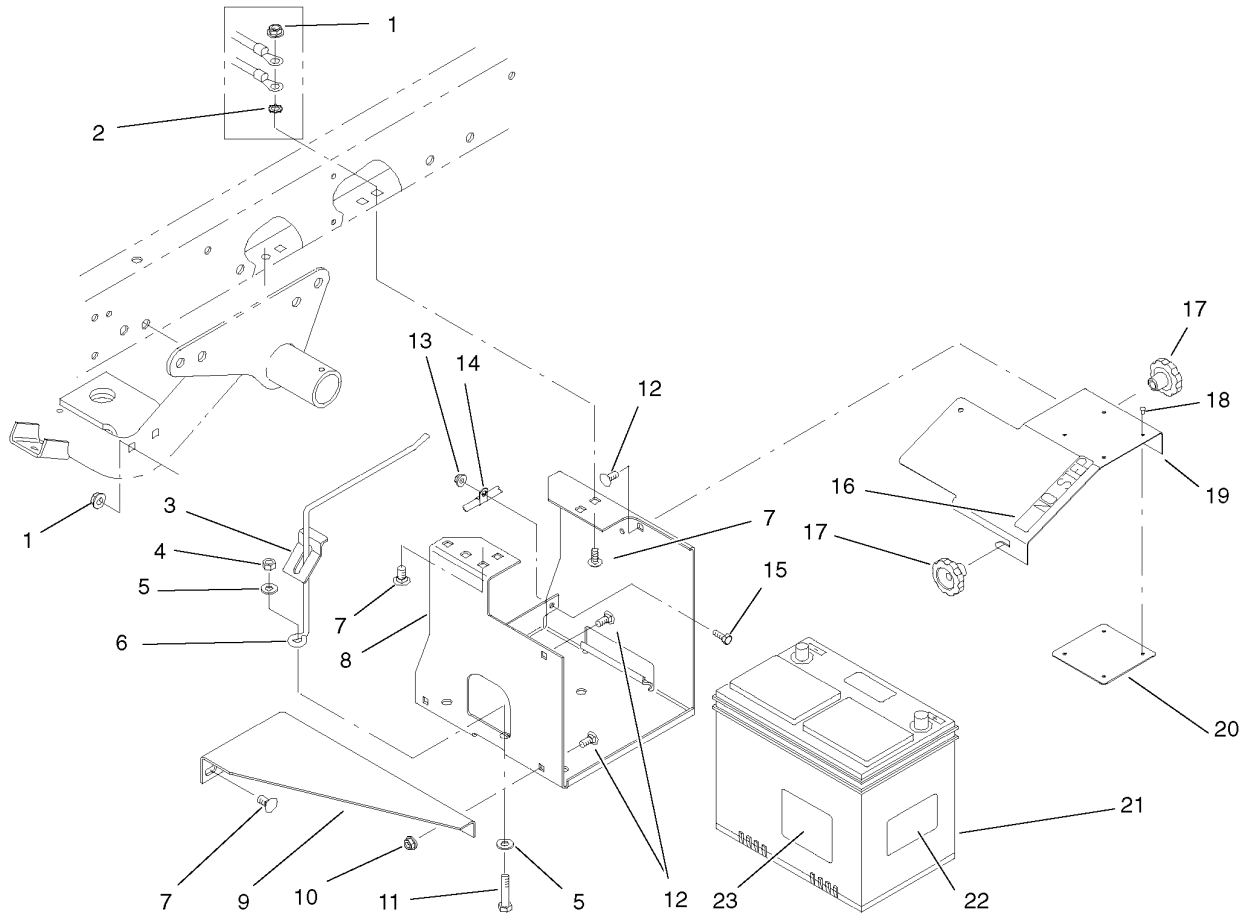
Ref	Part No.	Qty.	Description
1	92-0726	1	Shaft-Axle, Right
2	92-0728	1	Washer
3	92-0780	1	Bearing
4	92-0727	2	Washer
5	92-0756	3	Ring-Snap
6	92-0775	2	Bearing
7	92-0730	1	Slider-Differential, Lock
8	105-7983	1	Countershaft And Ring Gear
9	92-0765	2	Pin-Parallel
10	92-0747	2	Side-Gear, Left Inner
11	92-0746	1	Gear-Side, RH
12	92-0748	2	Pinion-Differential
13	92-0750	2	Washer
14	92-0744	1	Washer
15	92-0768	2	Pin-Roll, Spring
16	92-0771	1	Pin-Roll, Spring
17	92-0721	1	Fork-Lock, Differential
18	92-0722	1	Shaft-Fork, Lock Differential
19	92-0723	1	Spring-Lock, Differential
20	92-0733	1	Washer
21	92-0753	1	Ring-Snap
22	92-0787	1	O-Ring
23	92-0749	1	Shaft-Pinion
24	92-0745	1	Gear-Side, LH

Ref	Part No.	Qty.	Description
26	92-0770	1	Pin-Roll, Spring
27	92-0724	1	Arm-Lock, Differential
28	92-0725	1	Shaft-Axle, Left
29	92-0776	1	Bearing
30	92-0803	12	Bolt
31	92-0720	1	Case-Differential
32	92-0793	2	Seal-Oil



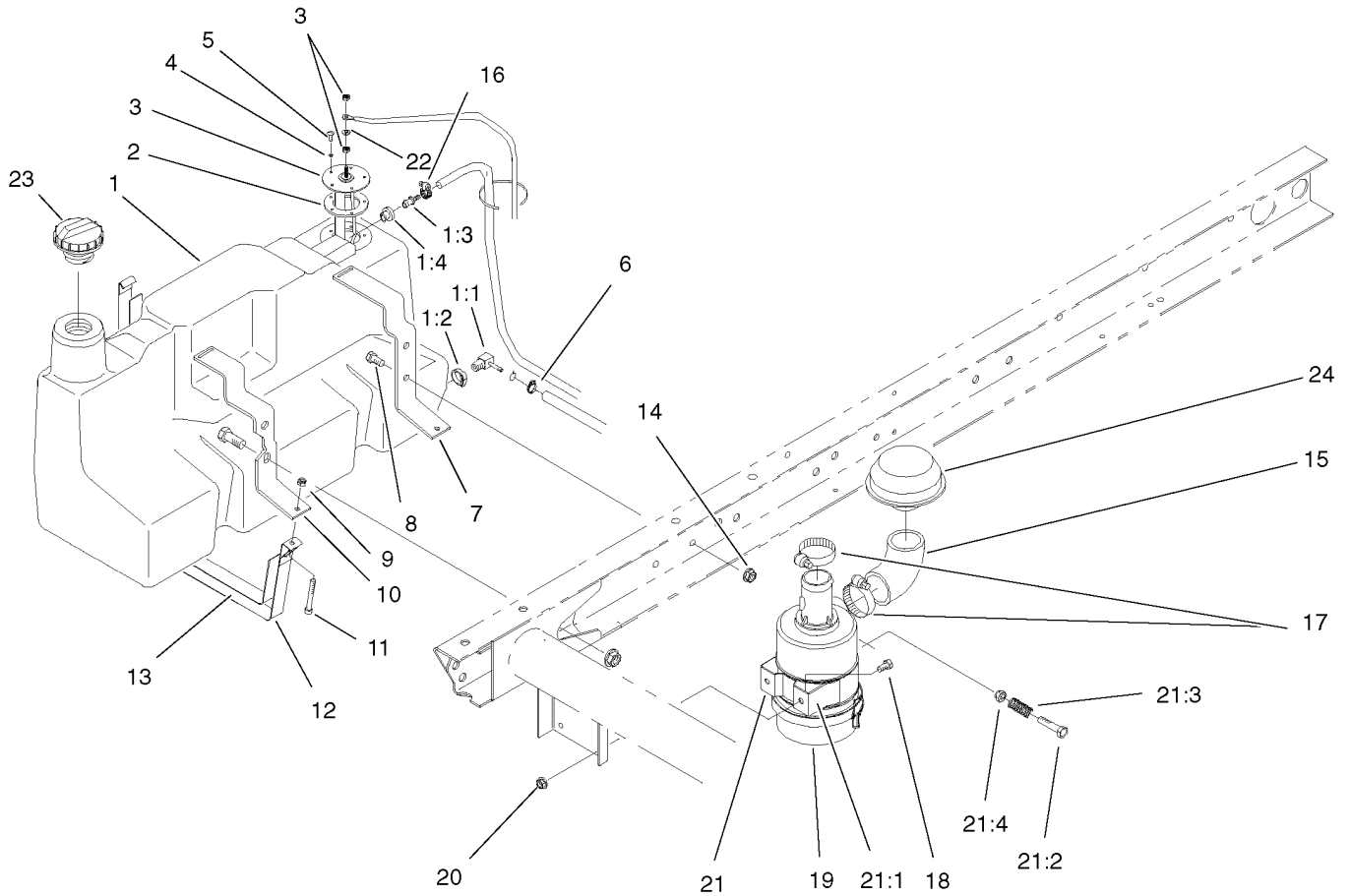
Hydraulic Filter and Relay Assembly

Ref	Part No.	Qty.	Description
1	87-5730	1	Hose
2	2412-36	3	Clamp-Hose
3	354-135	1	Fitting-HYD, 90 DEG
3:1	237-42	1	O-Ring
4	354-134	2	Fitting-HYD, 90 DEG
4:1	237-79	1	O-Ring
5	87-8780	1	Head-Filter
6	54-0110	1	Filter-Oil, Transmission
7	87-4920	1	Hose ASM
8	105-4199	1	Bracket-Mount, Filter
9	3234-4	3	Screw-HHF
10	32128-33	1	Nut-HF
11	66-8800	1	Relay
13	12-5450	2	Screw
14	321-2	1	Screw-HH
15	105-1776	1	Bracket-Mount, Relay
16	99-7430	1	Relay
17	32128-33	1	Nut-HF
18	33114-030	2	Screw-HH
19	32128-20	2	Nut-HF
20	105-9472	1	Plate-Mount, Muffler
21	3230-2	2	Bolt-CARR



Battery Assembly

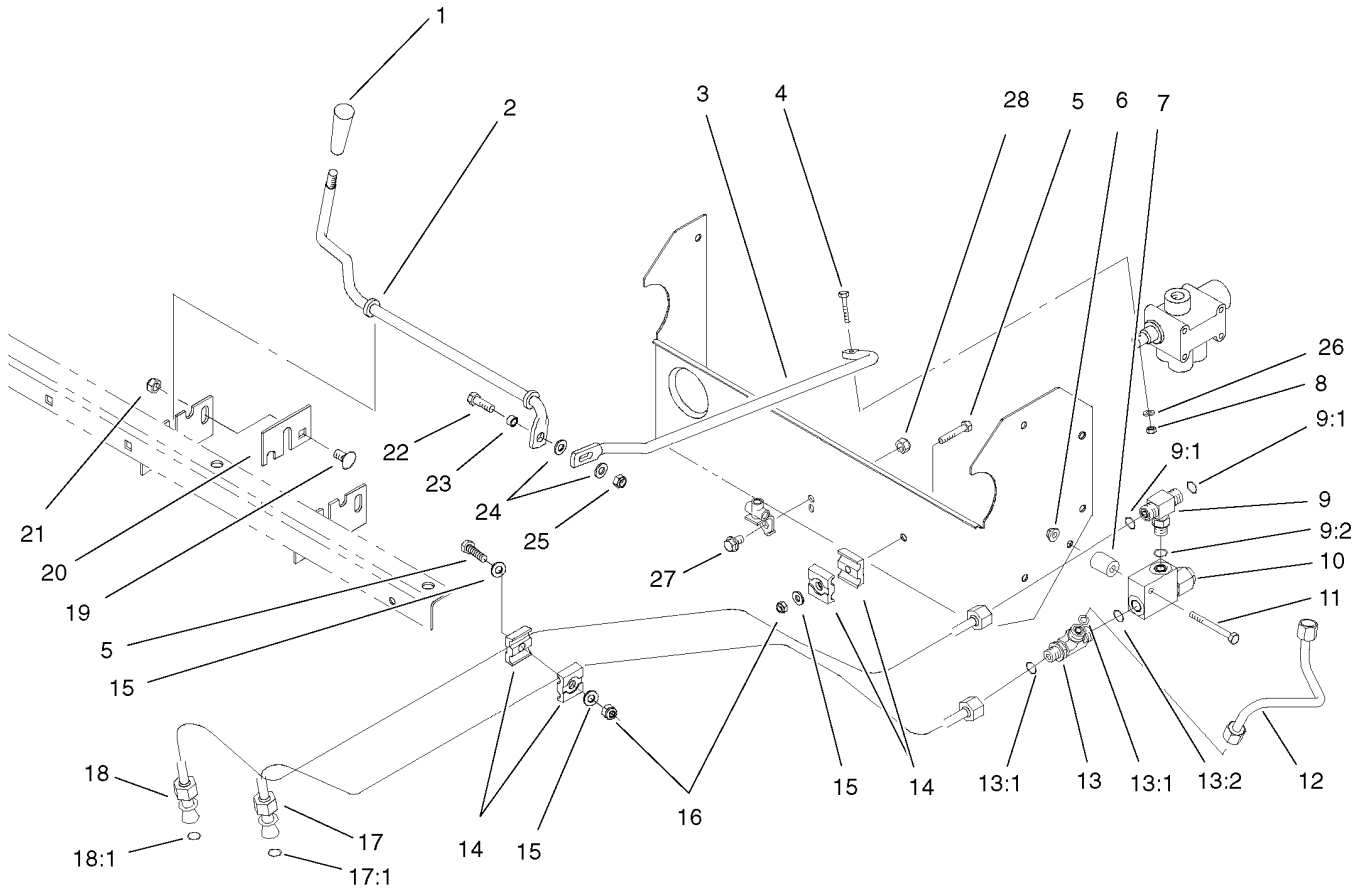
Ref	Part No.	Qty.	Description
1	3290-357	6	Nut-HHF, Whiz
2	3255-9	1	Washer-Lock, EXT
3	87-7610	1	Tab-Support, Battery
4	3296-39	1	Nut-Lock, NI
5	3256-24	2	Washer-Flat
6	87-7600	1	Rod-Support, Battery
7	3231-21	6	Screw-CARR
8	87-5120-03	1	Bracket-Holder, Battery
9	87-5110-03	1	Support-Base, Battery
10	32128-20	2	Nut-HF
11	323-9	1	Screw-HH
12	3230-23	4	Screw-CARR
13	32128-33	1	Nut-HF
14	2412-89	1	Clamp
15	321-4	1	Screw-HH
16	93-6687	1	Decal-No Step
17	19-4050	2	Knob
18	3269-27	4	Rivet-Snap
19	87-5130-03	1	Cover-Battery
20	87-7620	1	Shield-Terminal, Battery
21	63-9230	1	Battery-Dry
22	93-7276	1	Decal-Danger
23	93-6668	1	Decal-Battery



Fuel Tank and Air Cleaner Assembly

Ref	Part No.	Qty.	Description
1	98-2915	1	Tank-Fuel
1:1	353-781	1	Fitting-Elbow
1:2	2412-36	1	Clamp-Hose
1:3	98-2952	1	Fitting-Straight
1:4	46-6560	1	Bushing
2	62-7650	1	Gasket
3	63-7640	1	Sender-Fuel
4	3253-15	5	Washer-Lock
5	32122-24	5	Screw-PTH
6	92-2379	1	Clamp-Hose
7	87-3140-03	1	Support-Gas Tank, Rear
8	323-4	2	Screw-HH
9	3296-42	2	Nut-Lock, NI
10	87-3150-03	1	Support-Gas Tank, Front
11	3274-54	2	Screw-HSH
12	87-3160	2	Strap-Tank, Gas
13	87-3170	2	Felt-Strap
14	3290-357	2	Nut-HHF, Whiz
15	94-5248	1	Elbow-Intake, Air
16	2412-108	1	Clamp-Worm
17	2412-92	2	Clamp-Hose
18	322-2	2	Screw-HH
19	105-7968	1	Air Cleaner ASM
20	32128-20	2	Nut-HF

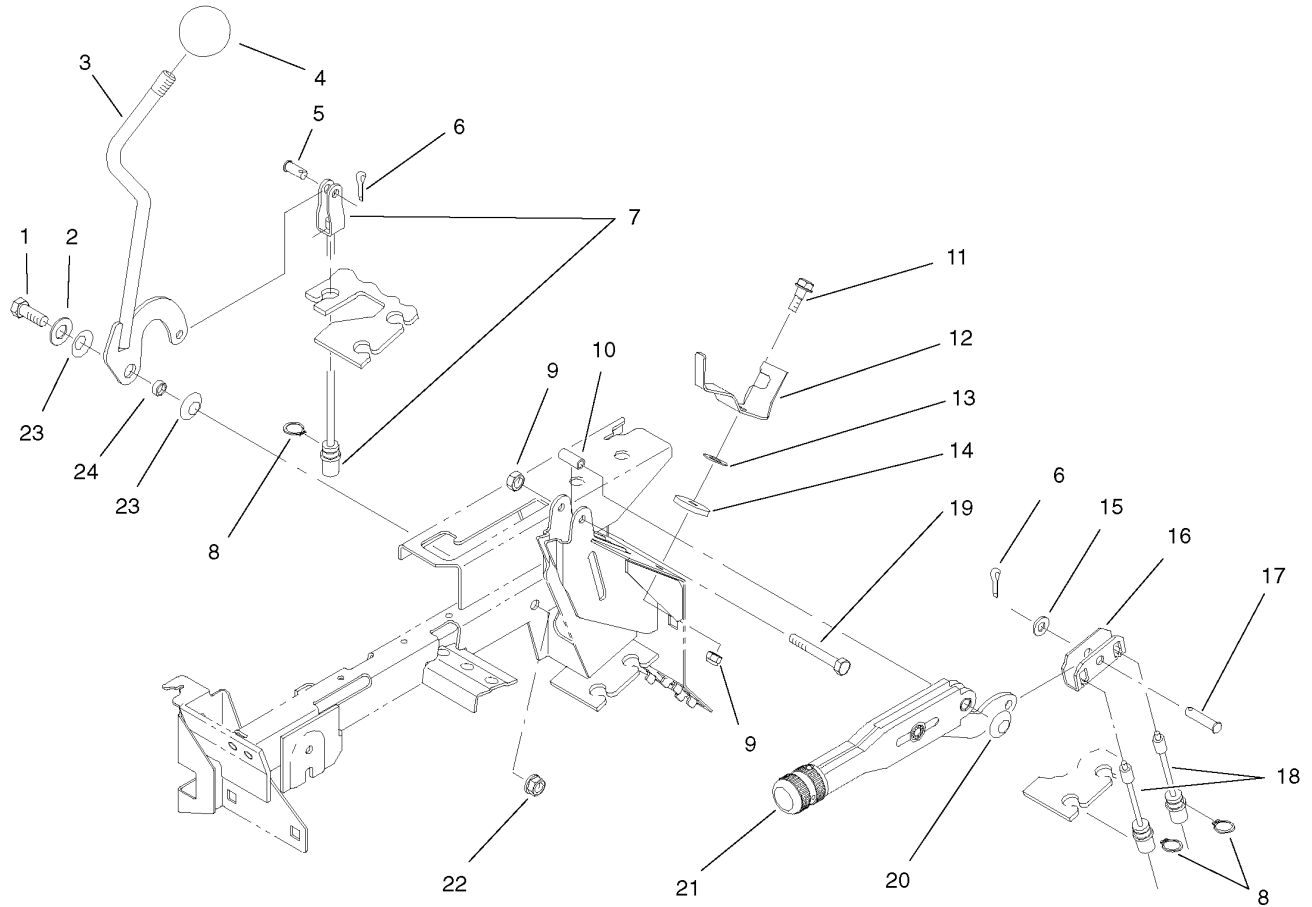
Ref	Part No.	Qty.	Description
21	93-2191	1	Band-Mounting, Air Cleaner
21:2	94-3653	1	Bolt
21:3	94-3654	1	Spring
21:4	48-9510	1	Nut
22	5-3637	1	Spacer
23	93-3102	1	Cap-Fuel
24	46-7510	1	Hood-Inlet, Air



Lift Valve Linkage Assembly

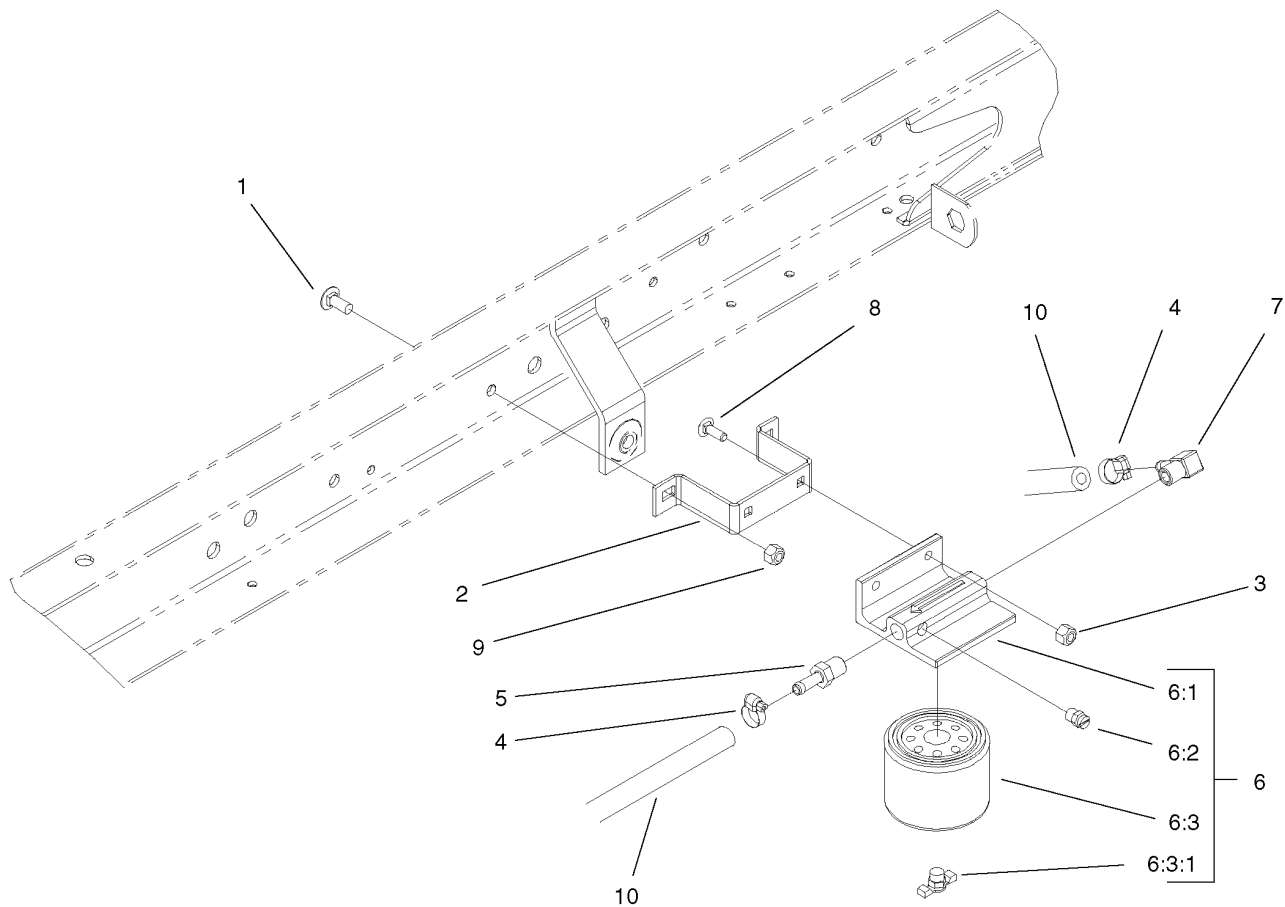
Ref	Part No.	Qty.	Description
1	233-39	1	Knob-Control
2	87-4500	1	Rod-Pivot, Pump
3	87-4510	1	Rod-Connecting Dump
4	87-5150	1	Bolt
5	321-9	2	Screw-HH
6	32128-33	1	Nut-HF
7	75-9610	1	Support-Radiator
8	87-5140	1	Nut-Lock
9	340-94	1	Adapter
9:1	237-22	2	O-Ring
9:2	237-42	1	O-Ring
10	87-3680	1	Valve-Relief
11	321-15	1	Screw-HH
12	92-2622	1	Hardline-Rel/Remote
13	340-86	1	Fitting-HYD, Tee
13:1	237-22	2	O-Ring
13:2	237-42	1	O-Ring
14	56-7973	4	Clamp-Tube
15	3256-22	3	Washer-Flat
16	3296-42	2	Nut-Lock, NI
17	87-9350	1	Hardline-Steering (Only On: 07213Tc)
17	93-7092	1	Hardline-Steering (Only On: 07217Tc)

Ref	Part No.	Qty.	Description
17:1	39-7310	1	Seal-O Ring
18	93-7093	1	Hardline-Steering (Only On: 07217Tc)
18	87-4540	1	Hardline-Steering (Only On: 07213Tc)
18:1	39-7310	1	Seal-O Ring
19	3231-21	2	Screw-CARR
20	87-4490	2	Bracket-Hold Down
21	3296-39	2	Nut-Lock, NI
22	322-5	1	Screw-HH
23	87-5080	1	Spacer-Rod, Connecting
24	3256-23	2	Washer-Flat
25	3296-29	1	Nut-Lock, NI
26	3256-14	1	Washer-Flat
27	322-2	1	Screw-HH
28	32128-20	1	Nut-HF



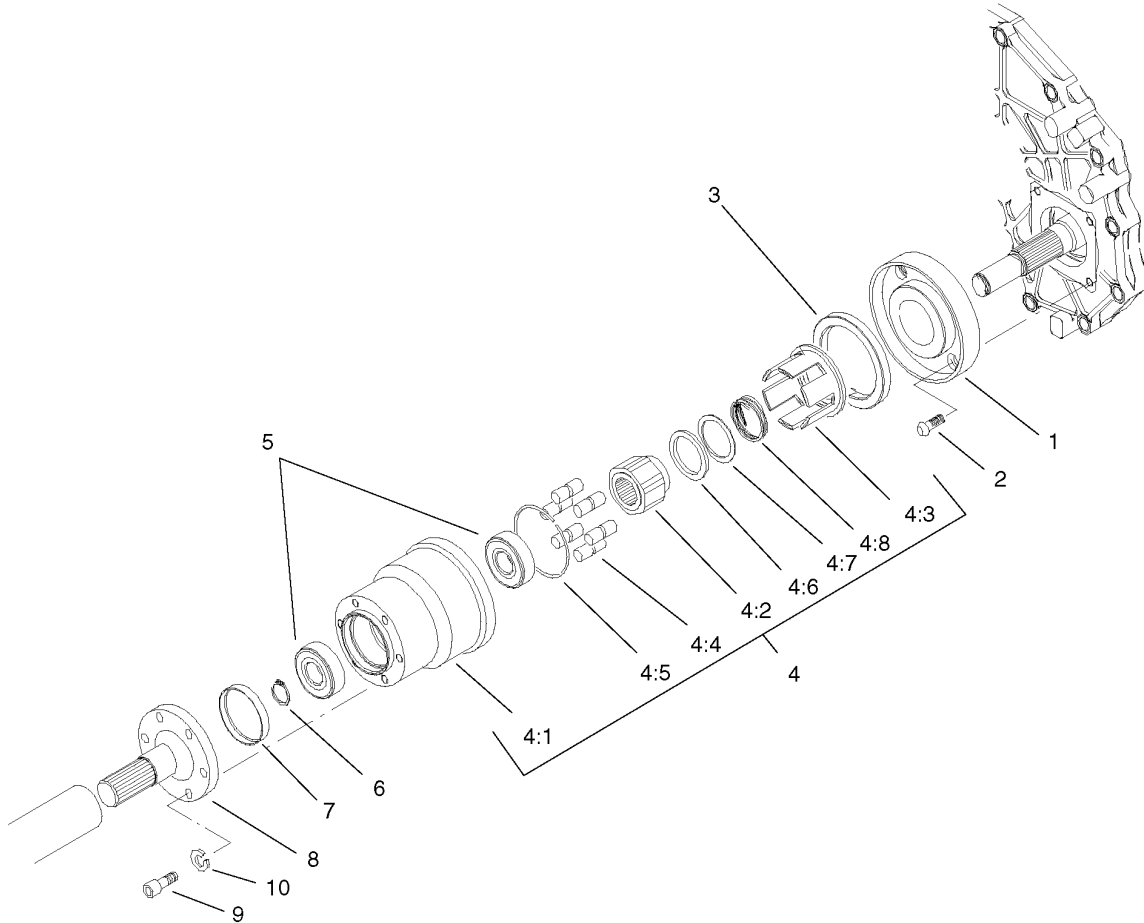
Differential Lock and Parking Brake Assembly

Ref	Part No.	Qty.	Description
1	323-6	1	Screw-HH
2	49-9150	1	Washer-Pivot
3	87-5030	1	Lever-Lock, Differential
4	233-48	1	Knob
5	283-62	1	Pin-Clevis
6	3272-6	2	Pin-Cotter
7	87-4460	1	Cable-Lock, Differential
8	32120-47	3	Ring-Retaining, External
9	3296-42	2	Nut-Lock, NI
10	87-4710	1	Spacer-Brake, Parking
11	42-3560	1	Bolt-Shoulder
12	87-6640-03	1	Lever-Dump Stop
13	3290-478	1	Washer-Belleville
14	71-5320	1	Washer-Support, Engine
15	3256-23	1	Washer-Flat
16	87-3480	1	Bracket-Equalizer, Cable
17	94-3829	1	Pin-Clevis
18	87-8240	2	Cable-Brake
19	321-9	1	Screw-HH
20	3290-477	1	Washer-Curved
21	87-2710	1	Lever-Brake
22	3296-39	1	Nut-Lock, NI
23	3290-221	2	Washer-Spring
24	76-2290	1	Spacer



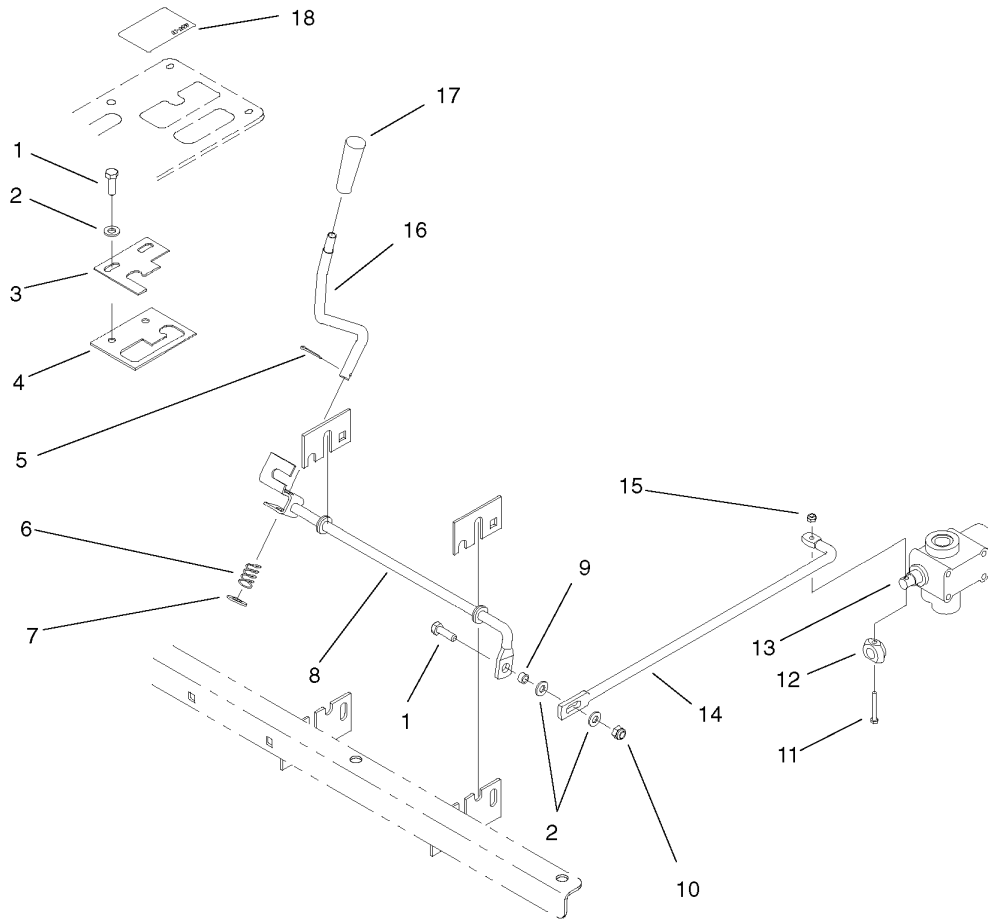
Filter Assembly

Ref	Part No.	Qty.	Description
1	3230-23	2	Screw-CARR
2	105-4202	1	Bracket-Mount, Filter
3	3296-42	2	Nut-Lock, NI
4	2412-108	2	Clamp-Worm
5	353-783	1	Fitting
6	63-7650	1	Separator-Filter / Water
6:1	63-8280	1	Head ASM
6:2	63-8290	1	Vent-Air
6:3	63-8300	1	Element-Spin-On
6:3:1	63-8310	1	Valve-Drain
7	353-707	1	Fitting-HYD, 90 DEG
8	3229-25	2	Screw-CARR
9	3296-29	2	Nut-Lock, NI
10	61-9650	2	Hose-Fuel



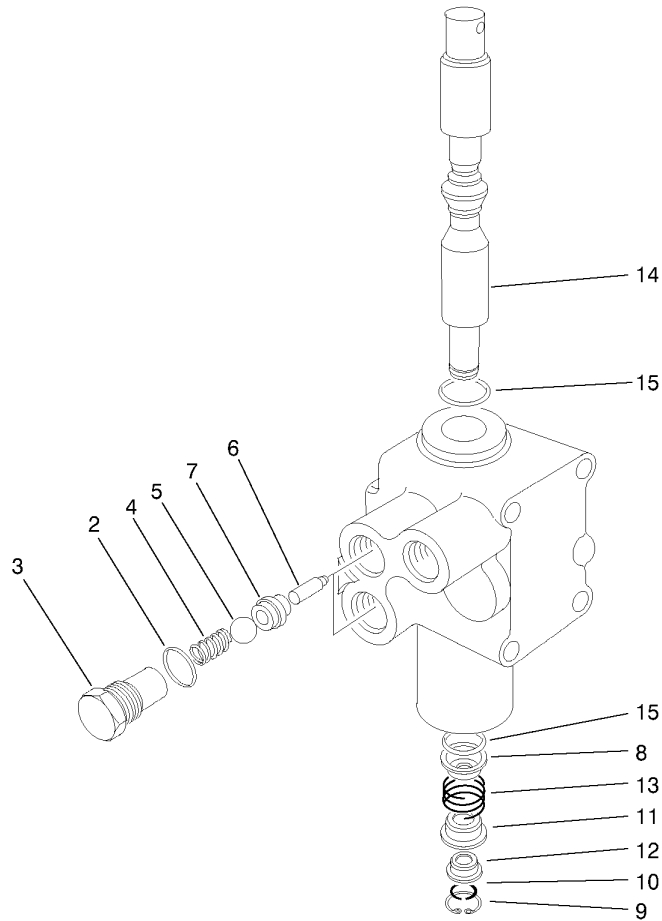
Bi-directional Over Running Clutch Assembly (only on: 07217TC)

Ref	Part No.	Qty.	Description
1	93-7117	1	Plate-Adapter
2	3274-96	4	Screw
3	87-9360	1	Seal-Oil
4	105-1769	1	Clutch-Bidirectional
4:1	105-1759	1	Housing-Clutch
4:2	93-8924	1	Cam
4:3	93-8921	1	Roll Cage ASM
4:4	93-8925	6	Roller
4:5	93-8922	1	Spring-Garter
4:6	93-8919	1	Bearing-Needle, Thrust
4:7	93-8929	1	Washer-Thrust
4:8	93-8923	1	Spring-Wave
5	251-8	2	Bearing-Ball
6	87-9370	1	Ring-Retaining
7	87-9220	1	Plug-Clutch
8	87-9840	1	Shaft-Clutch
9	3274-97	6	Screw-HSH
10	3253-4	6	Washer-Lock



Remote Hydraulic Assembly

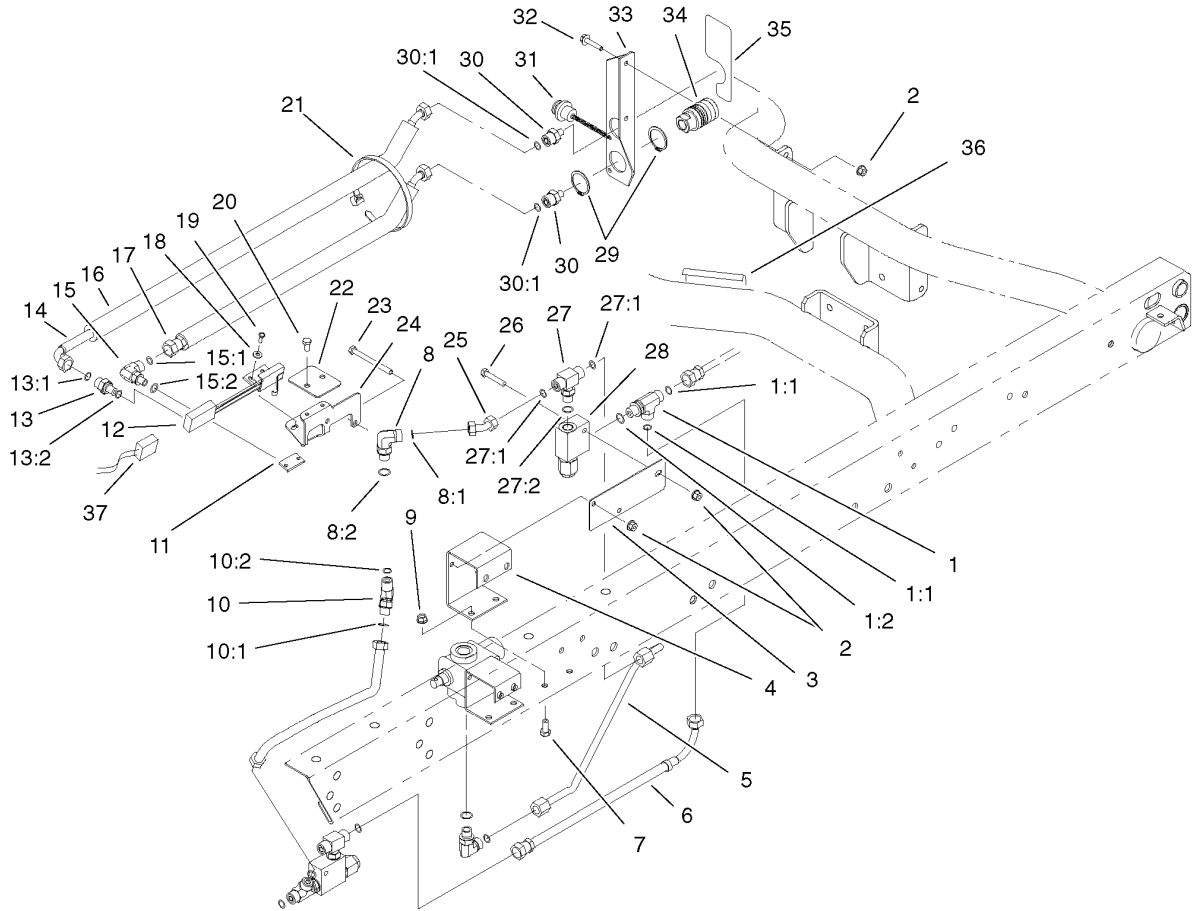
Ref	Part No.	Qty.	Description
1	322-5	3	Screw-HH
2	3256-23	4	Washer-Flat
3	87-4680-03	1	Plate-Detent, Upper
4	87-4670-03	1	Plate-Detent
5	3272-7	1	Pin-Cotter
6	66-4850	1	Spring-Compression
7	3256-25	1	Washer-Flat
8	87-4610	1	Rod-Auxiliary
9	87-5080	1	Spacer-Rod, Connecting
10	3296-29	1	Nut-Lock, NI
11	32105-5	1	Screw
12	93-9542	1	Cam-Switch
13	43-1710-01	1	Valve ASM
14	93-9536	1	Rod-Connecting, Aux HYD
15	3296-2	1	Nut-Lock
16	87-4580	1	Rod-Lever, Auxiliary
17	233-39	1	Knob-Control
18	93-9866	1	Decal-Remote Hydraulics



Valve Assembly No. 43-1710-01

Ref	Part No.	Qty.	Description
2	237-42	2	O-Ring
3	22-8330	2	Plug
4	22-8340	2	Spring
5	22-8350	2	Ball
6	22-8360	2	Pin
7	22-8370	2	Seat-Valve
8	22-8380	1	Retainer
9	22-8490	1	Ring-Snap
10	22-8480	1	Ring-Snap
11	22-8390	1	Retainer
12	22-8400	1	Spacer
13	22-8410	1	Spring
14	22-8420	1	Spool
15	22-8500	2	O-Ring

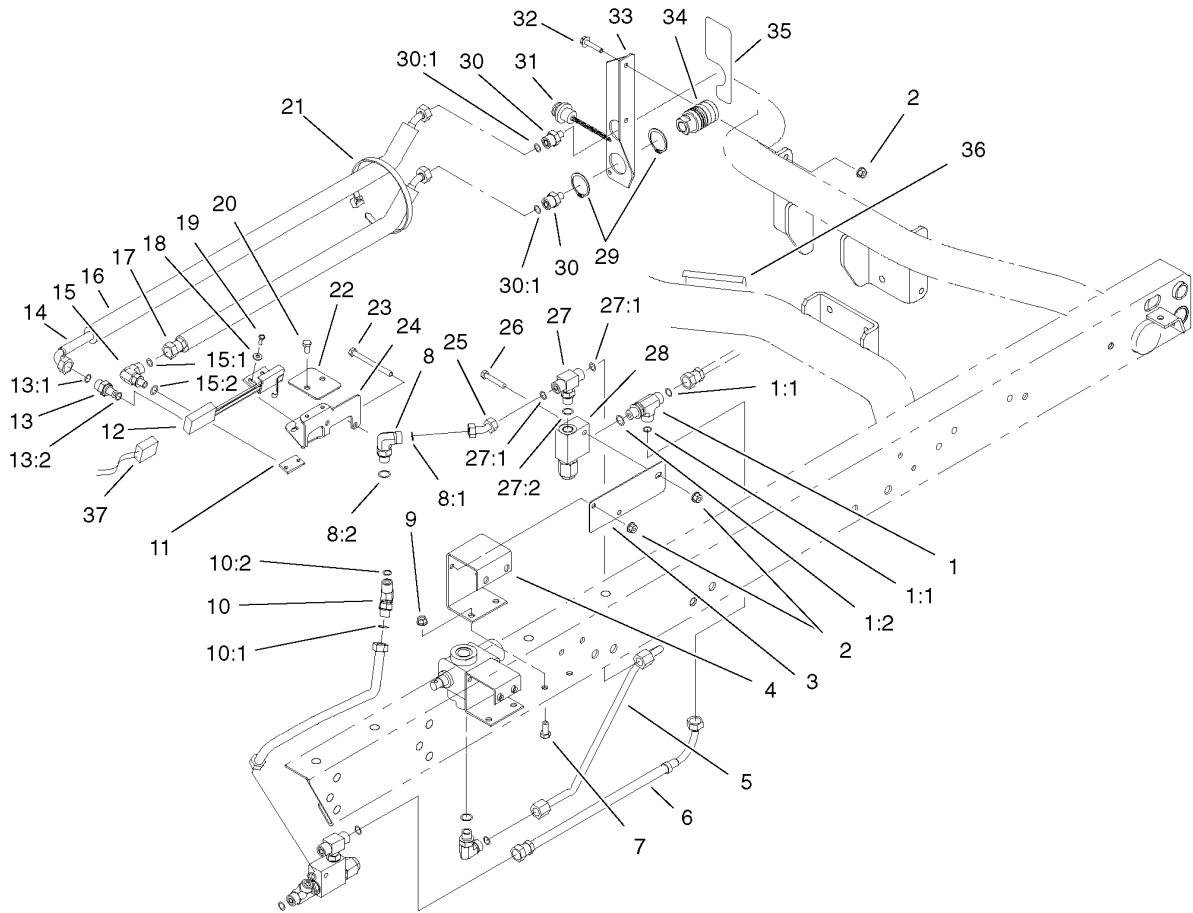
--	--	--	--



Remote Hydraulic Assembly

Ref	Part No.	Qty.	Description
1	340-86	1	Fitting-HYD, Tee
1:1	237-22	2	O-Ring
1:2	237-42	1	O-Ring
2	32128-33	5	Nut-HF
3	92-2623-03	1	Plate-Valve, Relief
4	87-4620-03	1	Bracket-Valve, Aux
5	93-9535	1	Hardline-Dump / Remote
6	92-2624	1	Hose ASM
7	322-3	4	Screw-HH
8	340-77	1	Fitting-HYD, 90 DEG
8:1	237-22	1	O-Ring
8:2	237-42	1	O-Ring
9	32128-20	4	Nut-HF
10	340-87	1	Fitting-HYD, 45 DEG
10:1	237-22	1	O-Ring
10:2	237-42	1	O-Ring
11	93-9539	1	Strip-Tapped
12	92-7905	1	Switch And Bracket ASM
13	340-88	1	Adapter
13:1	237-22	1	O-Ring
13:2	237-78	1	O-Ring
14	92-2606	1	Hose ASM
15	340-97	1	Fitting-HYD, 90 DEG
15:1	237-22	1	O-Ring

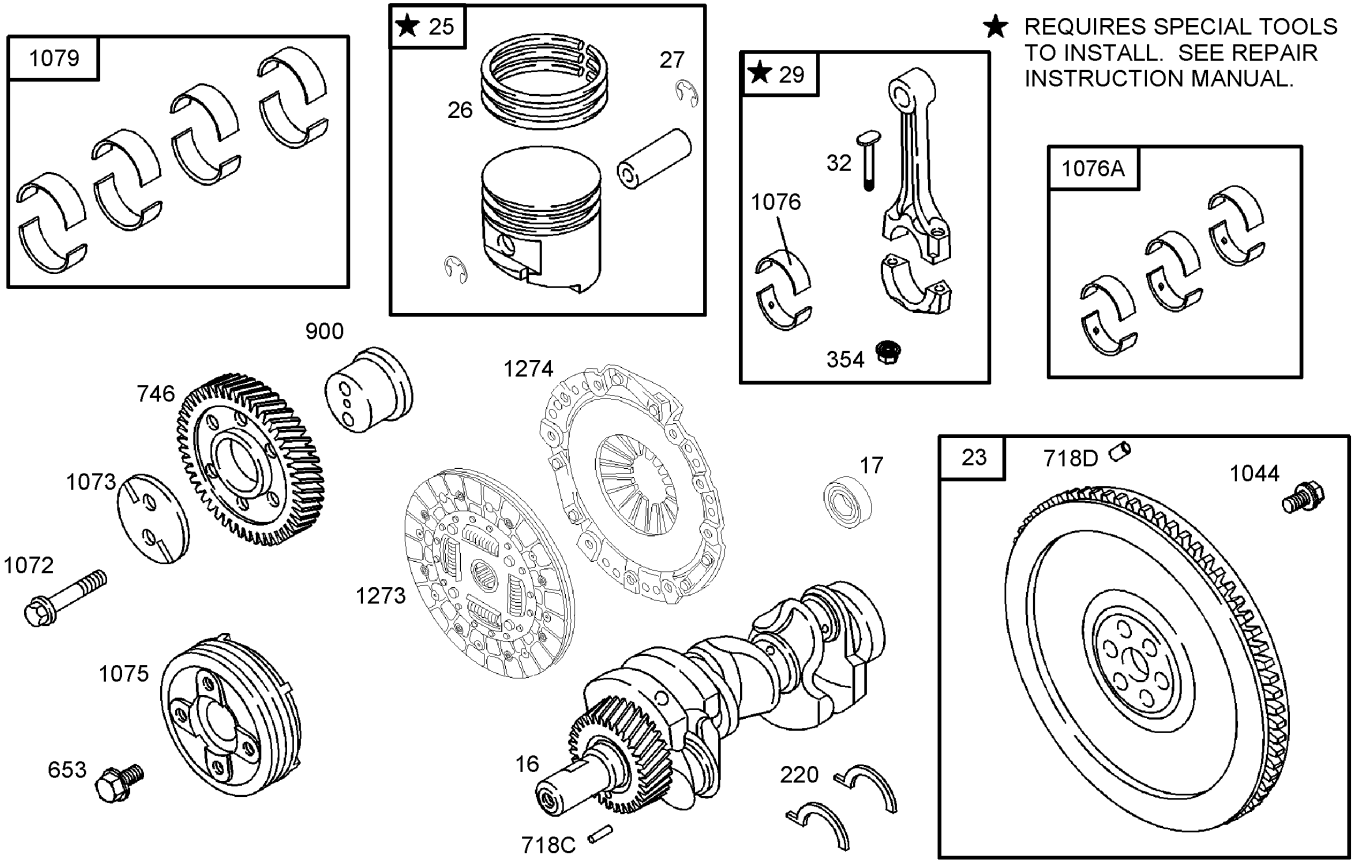
Ref	Part No.	Qty.	Description
15:2	237-78	1	O-Ring
16	93-9540	2	Sleeve-Protective
17	92-2605	1	Hose ASM
18	3256-14	2	Washer-Flat
19	32105-8	2	Screw-SHH
20	321-2	2	Screw-HH
21	3290-378	6	Tie-Cable
22	93-9538	1	Cover-Switch, Aux HYD
23	321-23	2	Screw-HH
24	93-9537	1	Bracket-Mounting, Switch
25	92-2620	1	Hardline-Rel / Remote
26	321-9	1	Screw-HH
27	340-94	1	Adapter
27:1	237-22	2	O-Ring
27:2	237-42	1	O-Ring
28	92-2625	1	Valve-Relief
29	92-2601	4	Ring-Retaining
30	340-12	2	Fitting-Straight
30:1	237-30	1	O-Ring
31	92-2603	2	Plug-Dust
32	3234-21	2	Screw-Cap
33	92-2604-03	1	Bracket-Coupler
34	92-2602	2	Coupling-HYD, Female
35	93-9089	1	Decal-Quick Couplers



Remote Hydraulic Assembly (continued)

Ref	Part No.	Qty.	Description
36	93-9090	1	Decal-Caution
37	93-9541	1	Wire Harness-Aux HYD

--	--	--	--

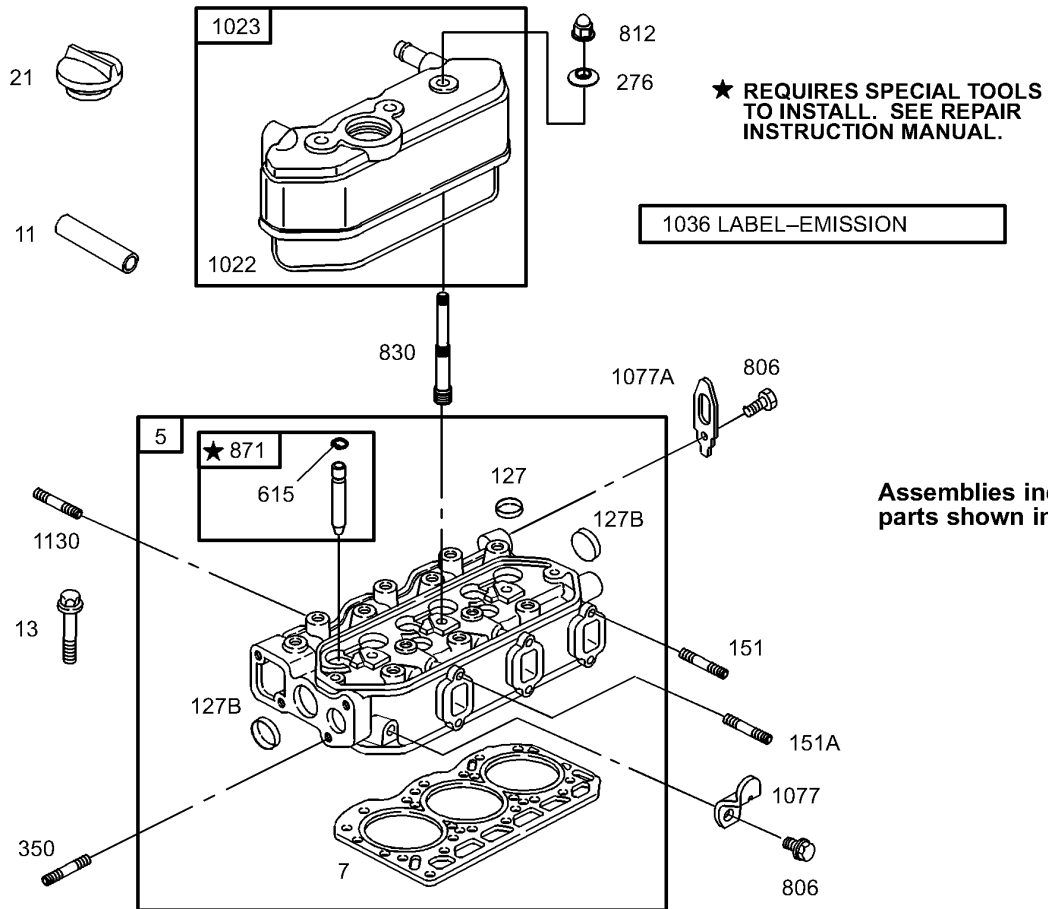


Assemblies include all parts shown in frame in frames.

Crankshaft Assembly

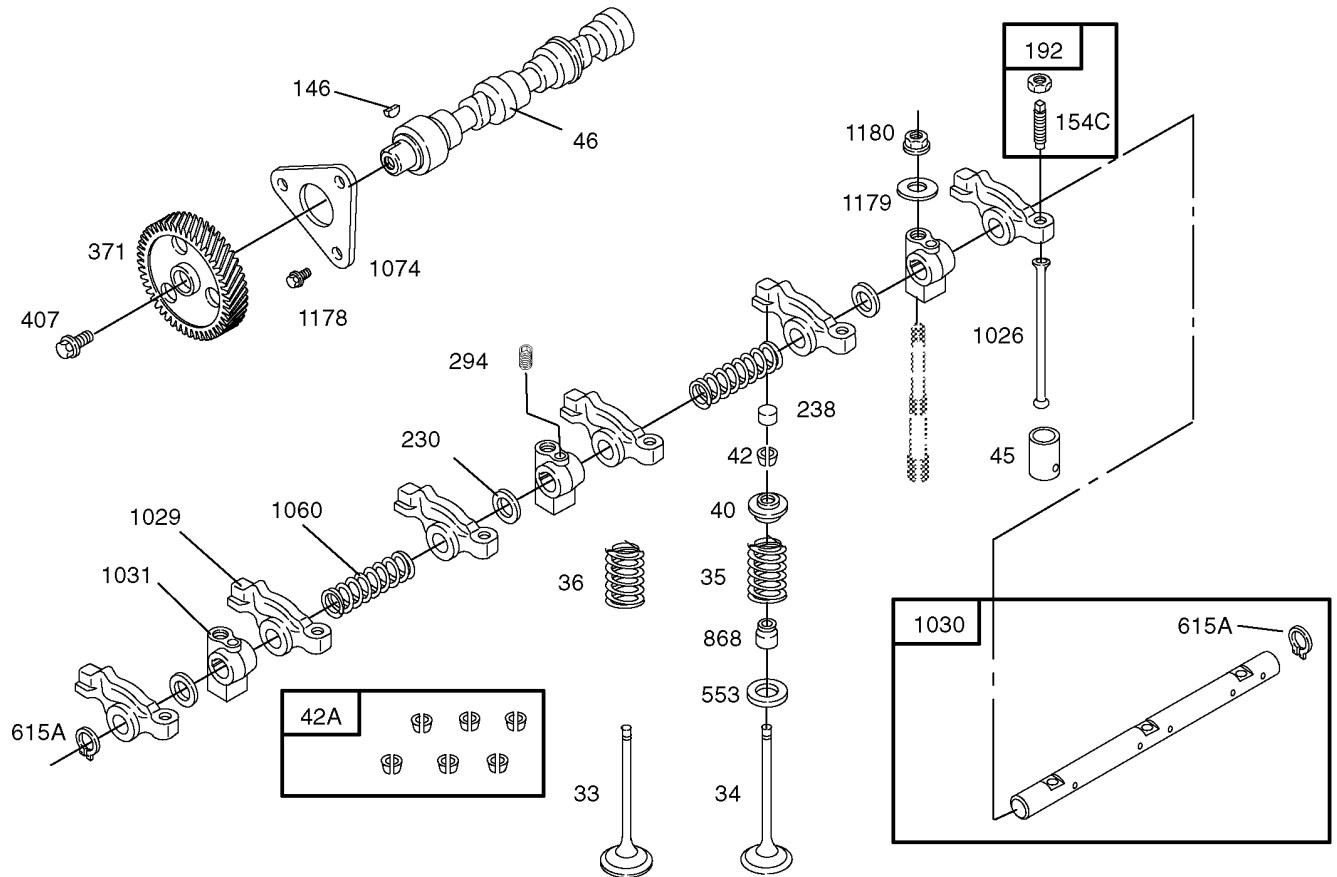
Ref	Part No.	Qty.	Description
16	105-9339	1	Crankshaft
17	105-9324	1	Bearing-Ball, Radial
23	105-9323	1	Flywheel ASM
25	107-9895	1	Piston ASM
25	107-9896	1	Piston ASM (Oversize)
26	105-9340	1	Ring Set
26	99-9269	1	Ring Set (.010 In Oversized)
27	99-9607	1	Lock-Pin, Piston
29	99-9608	1	Rod-Connecting
32	99-9030	1	Screw-Rod, Connecting
220	99-9035	1	Washer-Thrust
220	99-9036	1	Washer-Thrust (.005 In Oversized)
354	99-9034	1	Nut-Hex
653	107-9897	1	Screw-Hex
746	99-9609	1	Gear-Drive
900	99-9039	1	Shaft-Gear
1044	99-9031	1	Screw-Hex
1072	99-9032	1	Screw-Hex
1073	99-9040	1	Plate-Gear, Idler
1075	99-9041	1	Pulley-Crankshaft
1076	99-9042	1	Bearing-Rod
1079	99-9045	1	Set-Bearing, Main (Set Of 8)

Ref	Part No.	Qty.	Description
1079	99-9046	1	Set-Bearing, Main (.010 Undersized)
1273	104-9219	1	Disc-Clutch
1274	104-9231	1	Plate-Pressure, Clutch
718C	99-9037	1	Pin-Locating
718D	106-1852	1	Pin-Locating
1076A	99-9043	1	Set-Bearing, Rod
1076A	99-9044	1	Set-Bearing, Rod (.010 Undersized)



Cylinder Head Assembly

Ref	Part No.	Qty.	Description
5	110-2596	1	Head-Cylinder
7	107-9898	1	Gasket-Head, Cylinder
11	105-9342	1	Tube-Breather
13	99-9614	1	Screw-Metric
21	99-9052	1	Cap-Fill, Oil
127	99-9060	1	Plug-Welch
151	99-9058	1	Stud-Metric
276	99-9063	1	Washer-Seal
350	99-9057	1	Stud-Metric
615	99-9067	1	Retainer
806	99-9054	1	Screw-Hex
812	99-9061	1	Nut-Hex, Metric
830	99-9101	1	Stud-Arm, Rocker
871	99-9070	1	Bushing-Guide
1022	99-9073	1	Gasket-Cover, Rocker
1023	100-6402	1	Cover-Rocker
1036	99-9615	1	Emission Label Kit
1077	99-9076	1	Bracket-Lifting
1130	99-9055	1	Stud-Metric
127B	99-9008	1	Plug-Welch
151A	99-9059	1	Stud-Metric
1077A	99-9077	1	Bracket-Lifting

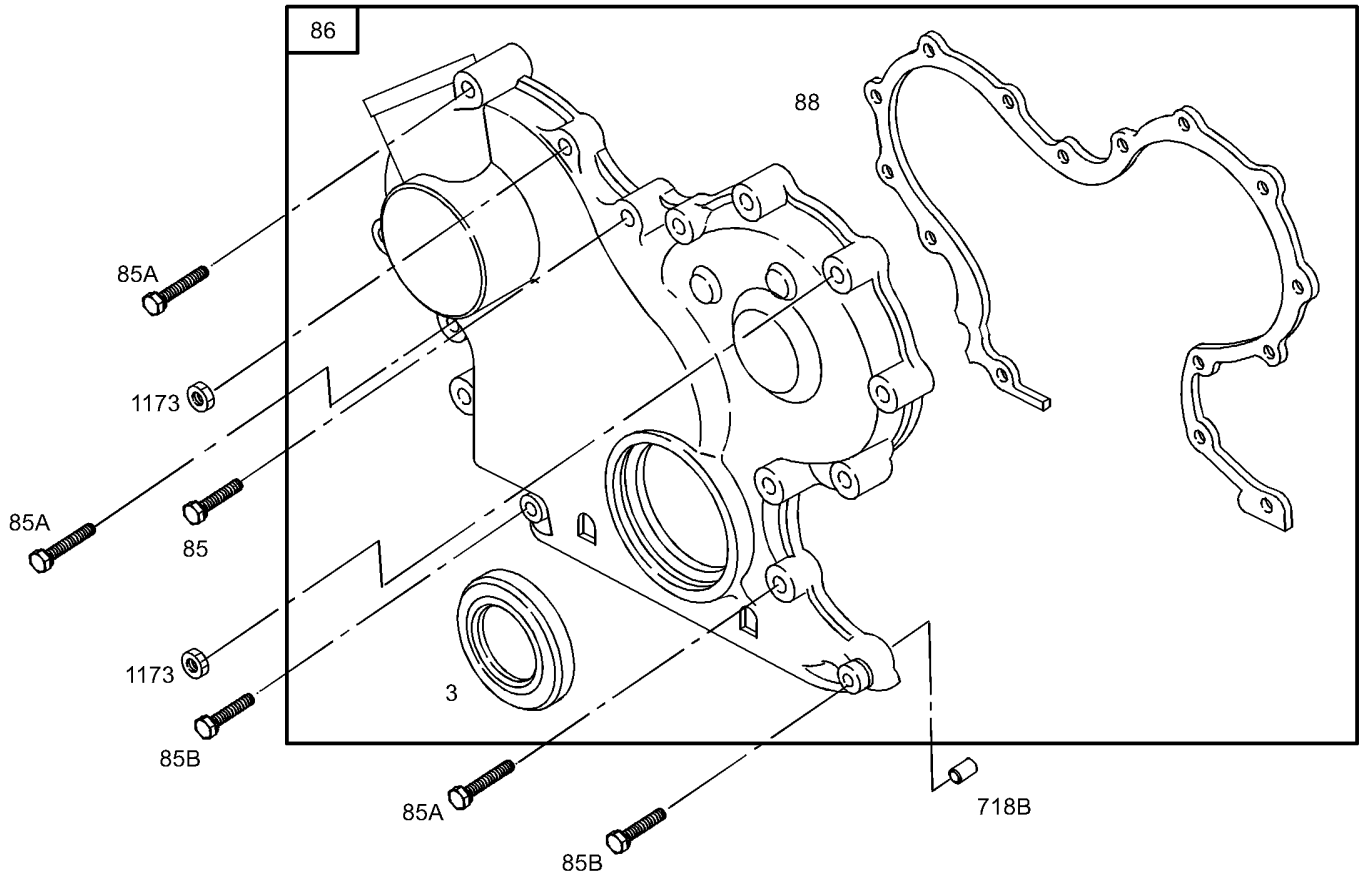


Assemblies include all parts shown in frames.

Camshaft Assembly

Ref	Part No.	Qty.	Description
33	99-9638	1	Valve-Exhaust
34	99-9639	1	Valve-Intake
35	99-9640	1	Spring-Valve
36	99-9640	1	Spring-Valve
40	99-9084	1	Retainer-Valve
42	99-9086	1	Keeper-Valve
45	99-9088	1	Tappet-Valve
46	99-9097	1	Shaft-Cam
146	99-9675	1	Key-Timing
192	99-9092	1	Adjuster-Arm, Rocker (Used Before Engine Serial #04090100)
192	112-2978	1	Adjuster-Rocker Arm (Used After Engine Serial #04083100)
230	99-9093	1	Washer-Spacer
238	99-9094	1	Cap-Valve (Used Before Engine Serial #04090100)
238	112-2979	1	Cap-Valve (Used After Engine Serial #04083100)
294	99-9090	1	Screw-Metric
371	99-9641	1	Gear-Cam
407	99-9085	1	Screw-Metric
42A	99-9087	1	Keeper-Valve (Set Of 6)
553	99-9096	1	Seat-Spring, Valve
868	99-9643	1	Seal-Valve

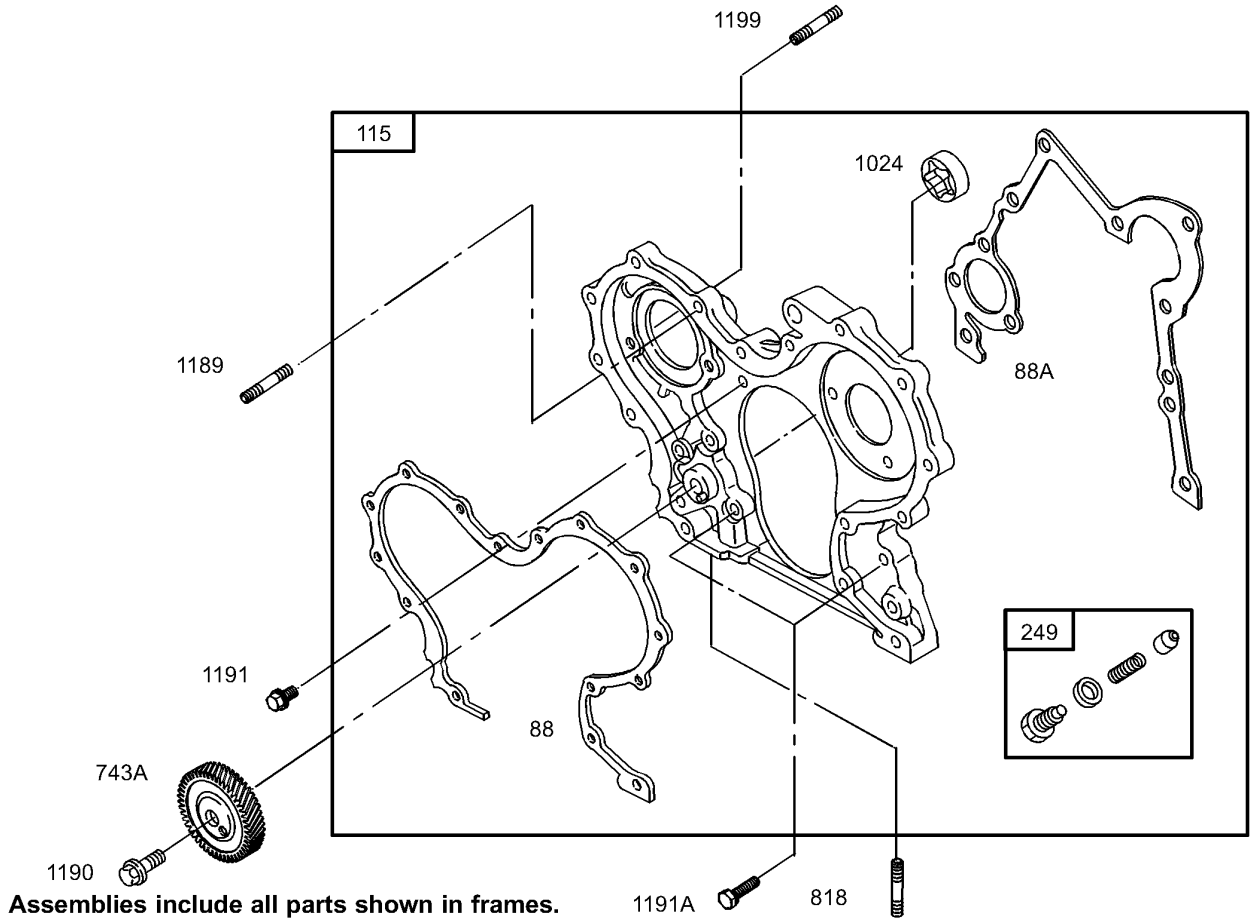
Ref	Part No.	Qty.	Description
1026	99-9103	1	Rod-Push (Used Before Engine Serial #04090100)
1026	112-2980	1	Rod-Push (Used After Engine Serial #04083100)
1029	99-9104	1	Arm-Rocker
1030	99-9106	1	Shaft-Arm, Rocker
1031	99-9107	1	Support-Arm, Rocker
1060	99-9108	1	Spring-Shaft, Rocker
1074	99-9109	1	Retainer-Camshaft
1178	99-9083	1	Screw-Hex
1179	99-9079	1	Washer-Flat
1180	99-9091	1	Nut-Hex, Metric
154C	99-9091	1	Nut-Hex, Metric
615A	99-9099	1	Retainer



Assemblies include all parts shown in frames.

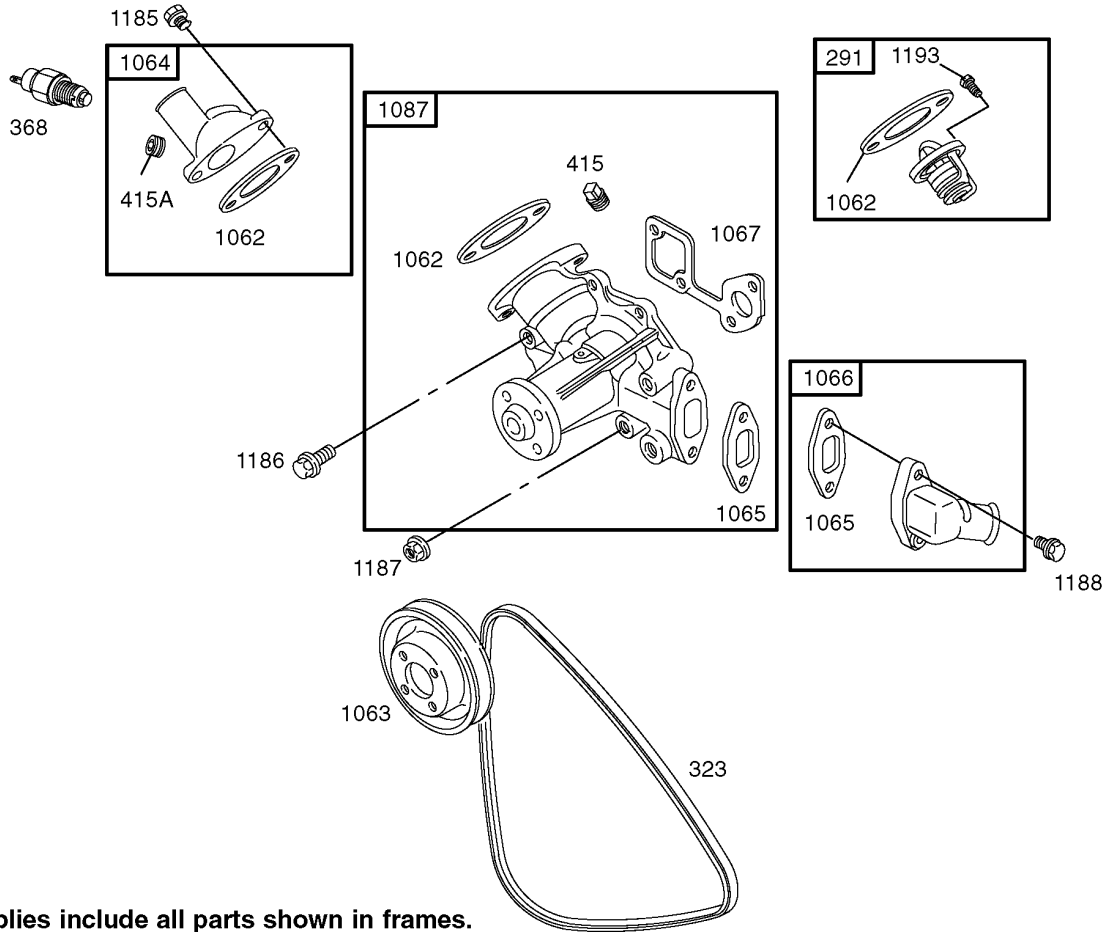
Gear Cover Assembly

Ref	Part No.	Qty.	Description				
3	107-9900	1	Seal-Oil				
85	99-9651	1	Screw-Hex				
86	99-9652	1	Gear Cover ASM				
88	99-9653	1	Gasket-Cover, Gear				
85A	99-9128	1	Screw-Hex				
85B	99-9129	1	Screw-Hex				
1173	99-9114	1	Nut-Hex, Metric				
718B	99-9014	1	Pin-Locating				



Gear Housing Assembly

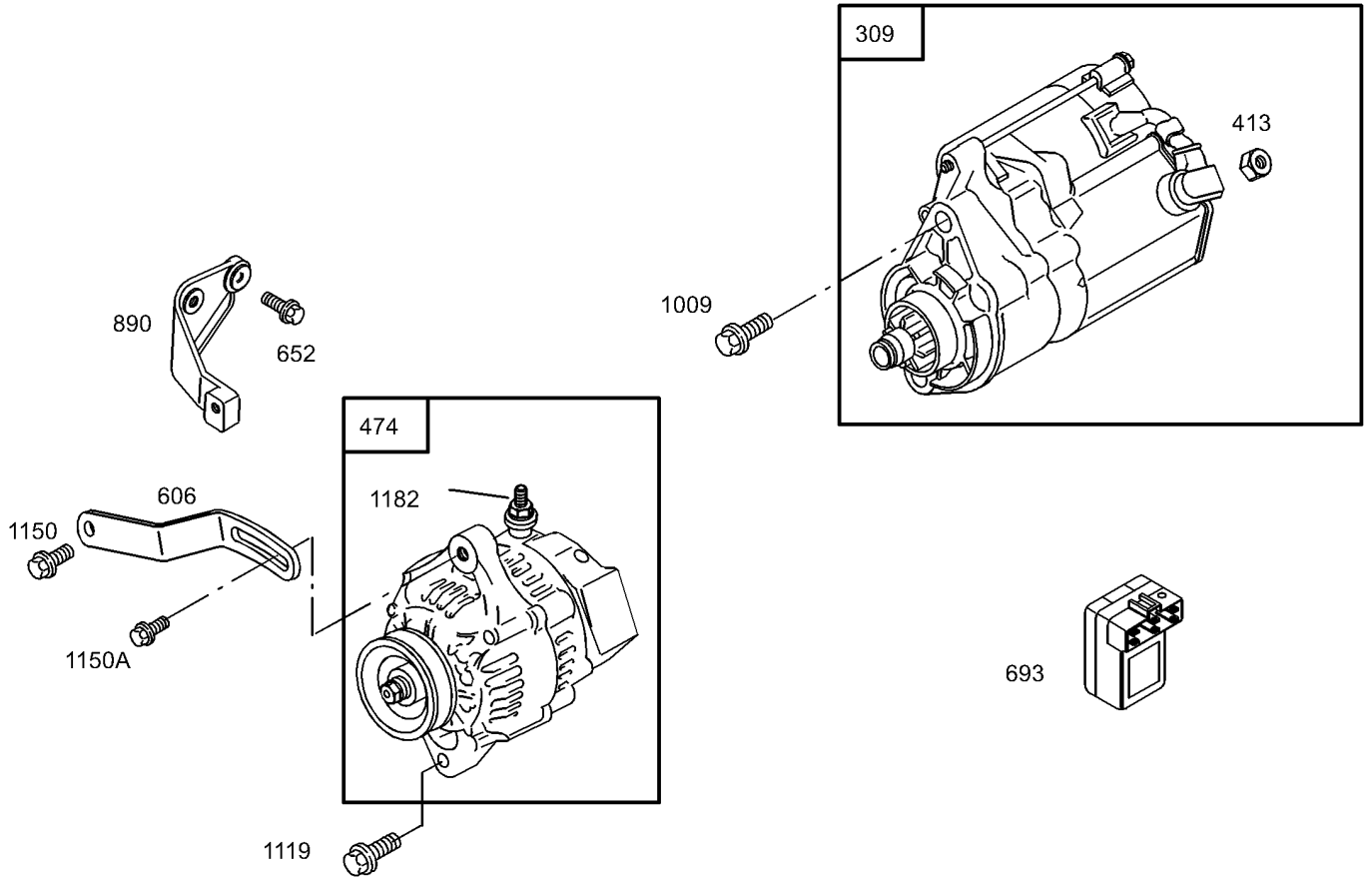
Ref	Part No.	Qty.	Description
88	99-9653	1	Gasket-Cover, Gear
115	99-9655	1	Housing-Gear
249	99-9142	1	Valve-Relief, Oil
818	99-9007	1	Stud-Metric
88A	99-9136	1	Gasket-Cover, Gear
1024		1	Pump-Oil
1189	99-9137	1	Stud-Metric
1190	99-9616	1	Screw-Hex
1191	99-9134	1	Screw-Hex
1199	99-9654	1	Stud-Metric
743A	99-9656	1	Gear-Drive
1191A	99-9133	1	Screw-Hex



Assemblies include all parts shown in frames.

Water Pump Assembly

Ref	Part No.	Qty.	Description
291	99-9155	1	Thermostat
323	99-9156	1	Belt-V
368	99-9157	1	Switch-Temperature, Water
415	99-9159	1	Plug
1062	99-9163	1	Gasket-Outlet
1063	99-9164	1	Pulley-Pump
1064	99-9165	1	Housing-Outlet
1065	99-9166	1	Gasket-Housing, Inlet
1066	99-9167	1	Housing-Inlet
1067	99-9168	1	Gasket-Pump, Water
1087	105-9348	1	Pump-Water
1185	99-9004	1	Screw-Hex
1186	99-9151	1	Screw-Hex
1187	99-9153	1	Nut-Hex, Metric
1188	99-9004	1	Screw-Hex
1193	99-9152	1	Screw-Metric
415A	99-9158	1	Plug

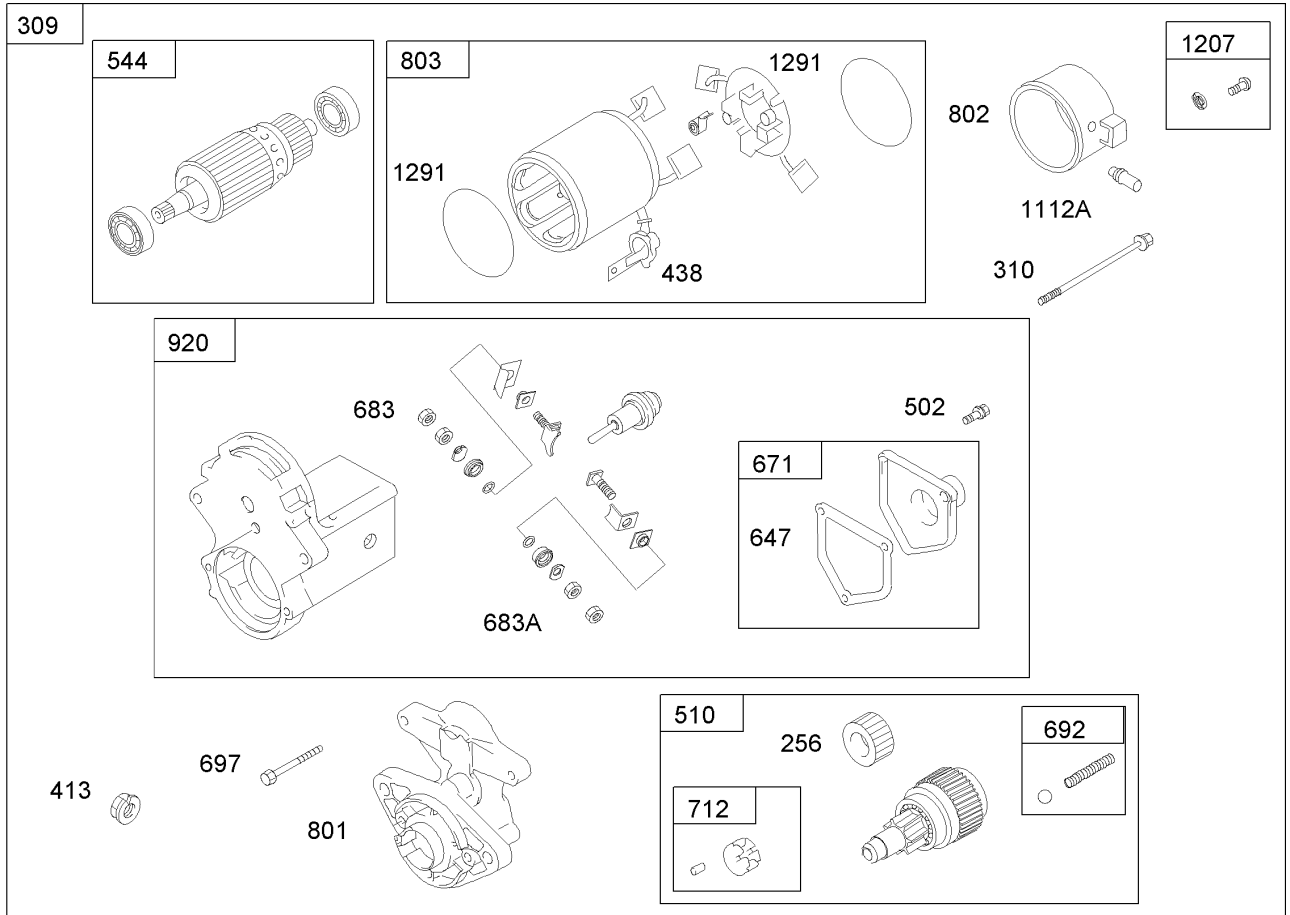


Assemblies include all parts shown in frames.

Starter Motor and Alternator Assembly

Ref	Part No.	Qty.	Description
309	110-2598	1	Motor-Starter
413	99-9206	1	Nut-Hex, Metric
474	99-9209	1	Alternator
606	106-1952	1	Strap-Adjusting
652	99-9203	1	Screw-Hex
693	99-9666	1	Module
890	99-9211	1	Bracket-Support
1009	99-9201	1	Screw-Hex
1119	99-9205	1	Screw-Hex, Metric
1150	99-9202	1	Screw-Hex
1182	99-9114	1	Nut-Hex, Metric
1150A	107-9903	1	Screw-Hex, Metric

--	--	--	--



Assemblies include all parts in frames

Starter Motor Assembly No. 110-2598

Ref	Part No.	Qty.	Description
256	112-2987	1	Gear-Drive, Starter
①309		1	Starter Motor Assembly
310	112-2988	1	Screw
413	99-9206	1	Nut-Hex, Metric
438	112-2989	1	Boot-Terminal
502	112-2990	1	Screw
510	112-2991	1	Drive-Starter
544	112-2992	1	Armature-Starter
647	112-2993	1	Gasket-Solenoid
671	112-2994	1	Cover-Solenoid
683	99-9206	1	Nut-Hex, Metric
692	112-2996	1	Detent-Spring
697	112-2997	1	Screw
712	112-2998	1	Roller-Clutch
801	112-2999	1	Cap-Drive
802	112-3000	1	Cap-End
803	112-3001	1	Housing-Starter
920	112-3002	1	Solenoid-Starter
1009	99-9201	1	Screw-Hex
1207	112-3004	1	Screw
1291	112-3005	1	Seal-O Ring
683A	112-2995	1	Nut
1112A	112-3003	1	Plug-Vent

NOTES

NOTES

NOTES

