



## 55cm Recycler<sup>®</sup> Lawnmower

Model No. 20655 - 260000001 and up.

### Parts Catalog

---

#### **Ordering Replacement Parts**

To order replacement parts, please supply the part number, the quantity, and the description of each part desired.

#### **Understanding Reference Numbers**

Each identified part in an illustration has a reference number. The reference number for a part also appears in the parts list, along with other information about the part.

This catalog uses two special reference number formats, one to indicate parts in a service assembly and another to indicate the quantity of a given part in an illustration.

#### **Service Assembly Reference Numbers**

Parts in service assemblies have reference numbers in the form a:b. The a represents the reference number of the entire service assembly and the b represents a sequential number unique to each part within the service assembly.

For example, a wheel assembly might be identified by reference number 6, the tire by 6:1, the valve by 6:2, and the wheel by 6:3. When you order the assembly identified by reference number 6, you receive all parts identified by reference numbers 6:1, 6:2, and 6:3. However, you may also order any part individually. Reference numbers of this type appear in illustrations and in part lists.

#### **Reference Numbers Indicating Quantity**

In an illustration, if a reference number indicates more than one part, the reference number has the form nX y. The n represents the quantity of the part, the X is the multiplication symbol, and the y represents the reference number.

For example, in an illustration, the reference number 2X 37 means that two of the parts identified by reference number 37 are indicated.

# Contents

Description	Page	Description	Page
Deck, Side Chute and Rear Door Assembly	3	Air Cleaner Assembly Briggs and Stratton 122K02-0172-E1	14
Front Axle Assembly	4	Governor Assembly Briggs and Stratton 122K02-0172-E1	15
Rear Axle and Transmission Assembly	5	Muffler and Fuel Tank Assembly Briggs and Stratton 122K02-0172-E1	16
Transmission Assembly No. 106-3956	6	Blower Housing Assembly Briggs and Stratton 122K02-0172-E1	17
Engine and Blade Assembly	7	Recoil Starter Assembly Briggs and Stratton 122K02-0172-E1	18
Handle Assembly	8	Electric Starter Assembly Briggs and Stratton 122K02-0172-E1	19
Rear Bag Assembly	9	Gasket Assembly Briggs and Stratton 122K02- 0172-E1	20
Cylinder Assembly Briggs and Stratton 122K02-0172-E1	10	Carburetor Overhaul Kit Assembly Briggs and Stratton 122K02-0172-E1	21
Crankshaft Assembly Briggs and Stratton 122K02-0172-E1	11		
Crankcase Assembly Briggs and Stratton 122K02-0172-E1	12		
Carburetor Assembly Briggs and Stratton 122K02-0172-E1	13		

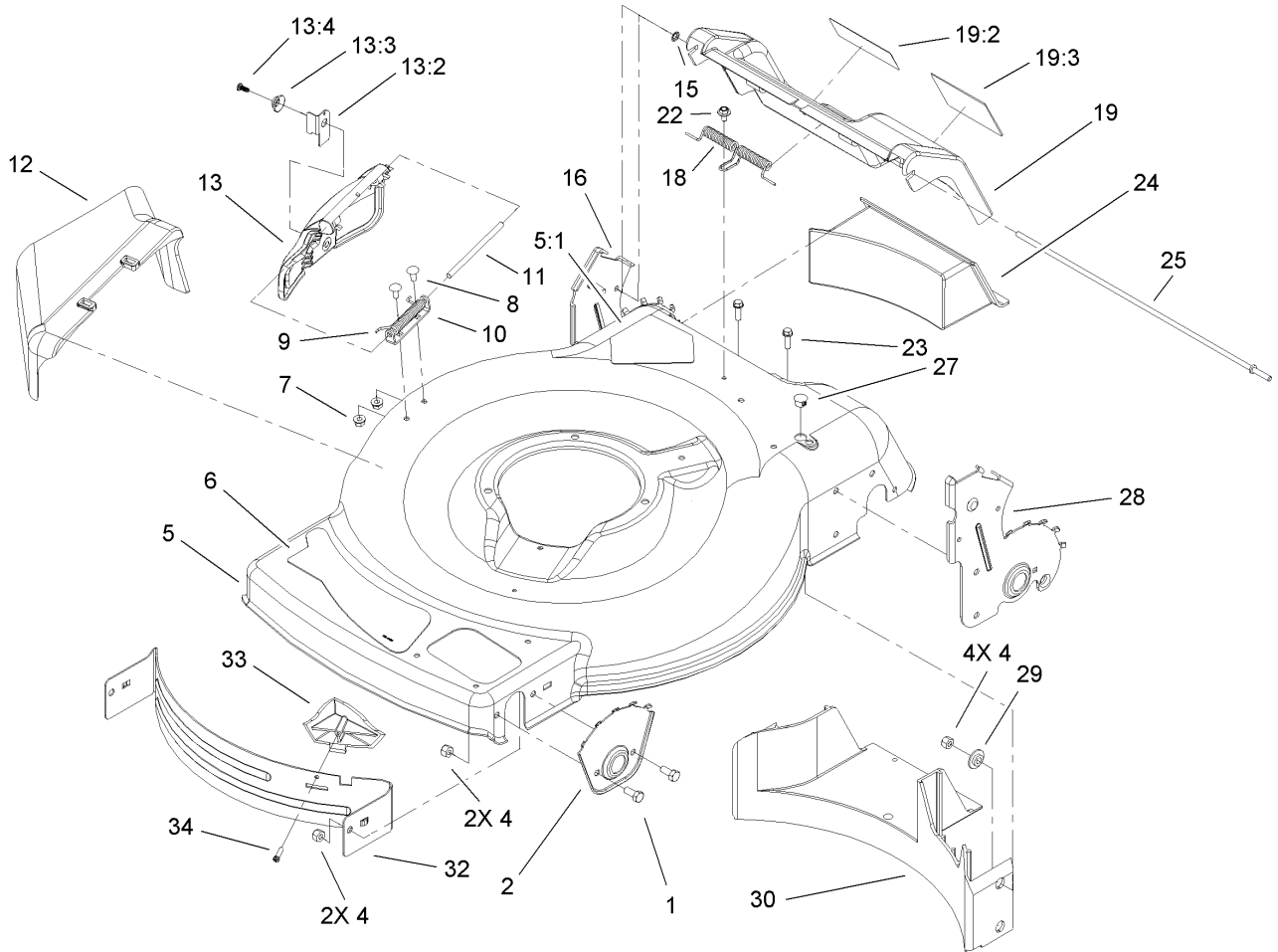
## Part Description Abbreviations

Part descriptions in this catalog may include the following abbreviations.

AR. .... as required	INC. .... incorporated
ASM. .... assembly	LH. .... left hand
BBC. .... blade brake clutch	NI. .... nylon insert
CARR. .... carriage	NPTF. .... national pipe thread fine
DEG. .... degrees	PFH. .... phillips flat head
EXT. .... external	PPH. .... phillips pan head
FH. .... flat head	PPHTF. .... phillips pan head thread forming
GA. .... gauge	PRH. .... phillips round head
HF. .... hex flange	PTH. .... phillips truss head
HH. .... hex head	PTO. .... power-take-off
HHF. .... hex head flange	RH. .... right hand
HHFTF. .... hex head flange thread forming	ROPS. .... roll-over-protection-system
HJ. .... hex jam	SFH. .... slotted fillister head
HLH. .... hex lag head	SHH. .... slotted hex head
HOC. .... height-of-cut	SHWH. .... slotted hex washer head
HSBH. .... hex socket button head	SPH. .... slotted pan head
HSFH. .... hex socket flat head	SQH. .... square head
HSH. .... hex socket head	SRH. .... slotted round head
HWH. .... hex washer head	STD. .... standard
HWHTF. .... hex washer head thread forming	TAP. .... self tapping
HYD. .... hydraulic	TTH. .... torx truss head

## Footnotes

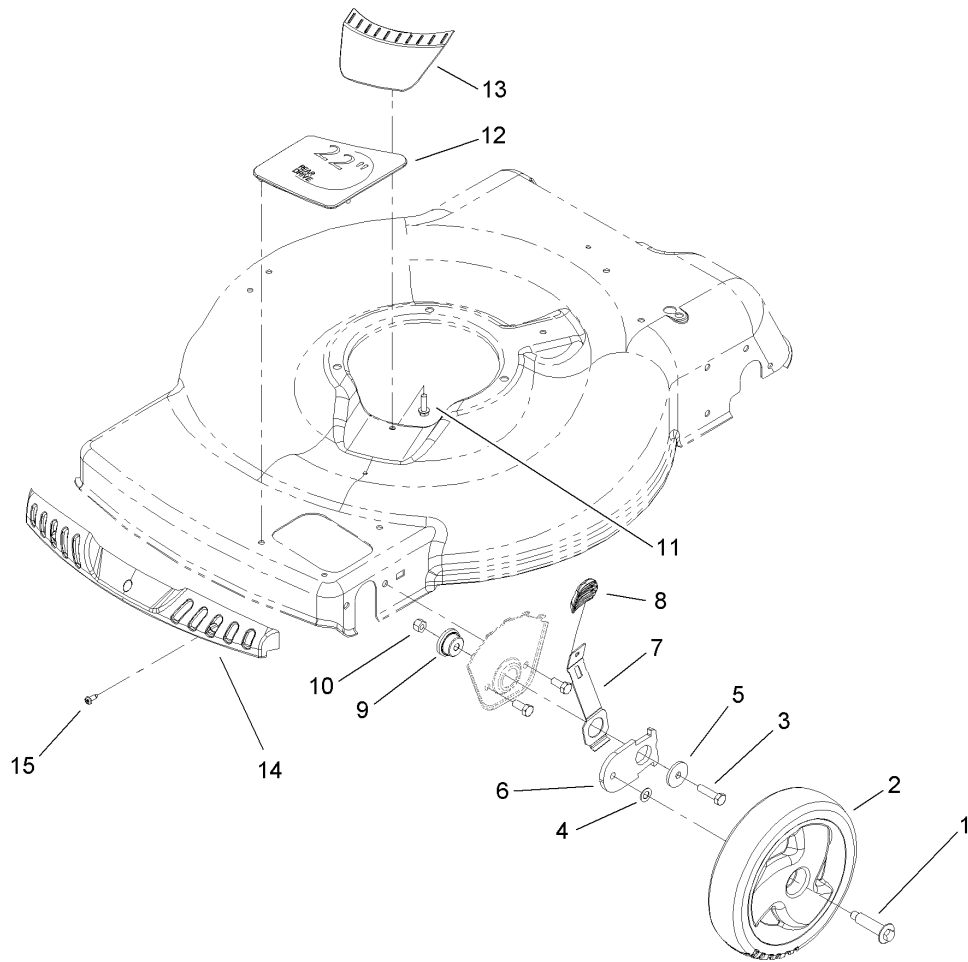
- |   |   |
|---|---|
| ❶ Not illustrated                             | ❷ Not serviced separately                         |
| ❸ Included in Engine Gasket Set-Ref. 358.     | ❹ Included in Carburetor Overhaul Kit-Ref. 121.   |
| ❺ Included in Carburetor Gasket Set-Ref. 977. | ❻ Obtain from your local Briggs & Stratton dealer |



## Deck, Side Chute and Rear Door Assembly

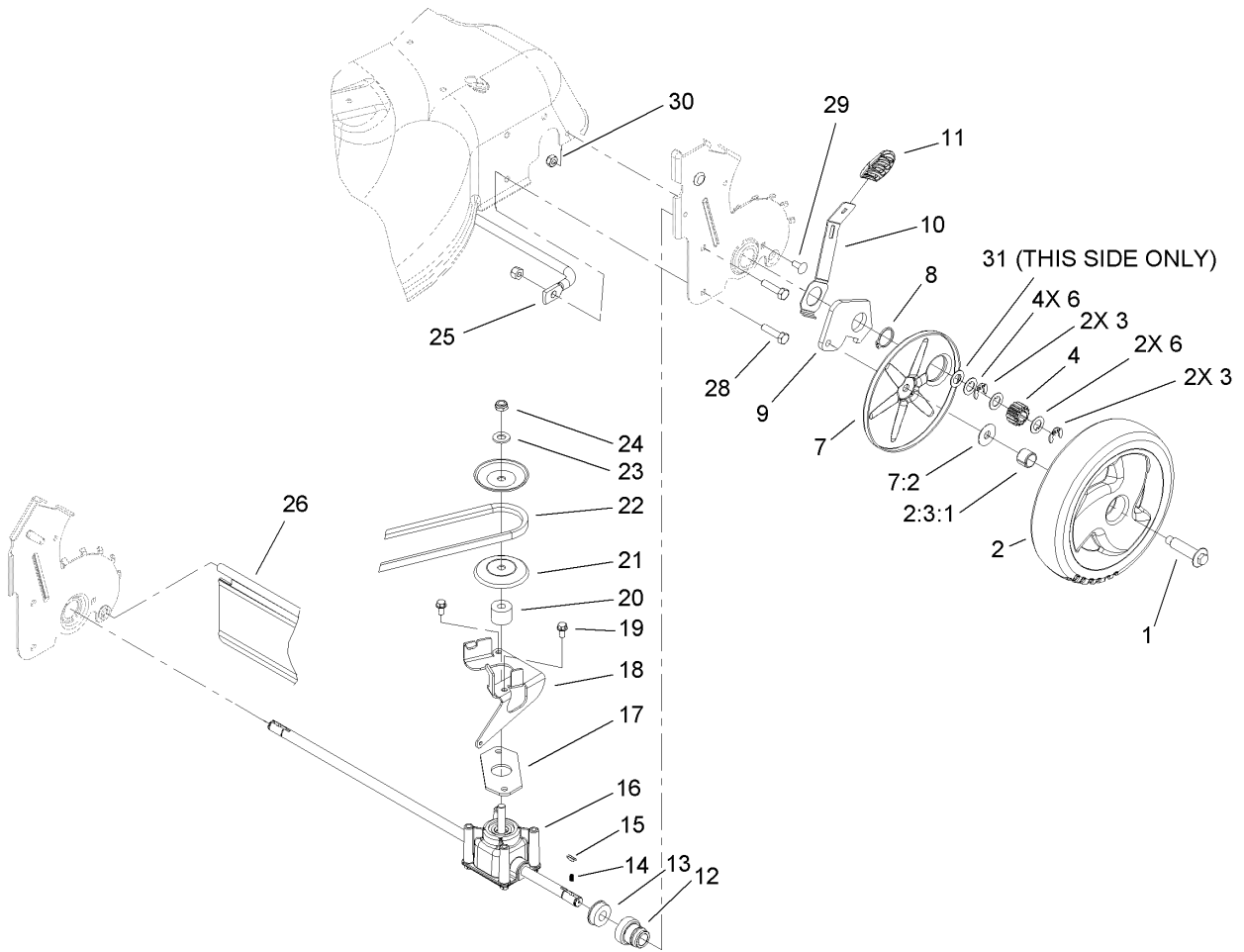
Ref	Part No.	Qty.	Description
1	322-3	4	Screw-HH
2	105-1808-03	2	Plate-HOC, Front
4	3296-29	8	Nut-Lock, NI
5	104-7916	1	Housing
5:1	94-8072	1	Decal-Danger
6	105-1297	1	Decal-Deck
7	32128-32	2	Nut-HHF
8	3229-11	2	Screw-CARR
9	99-5293	1	Spring-Torsion
10	99-5292	1	Bracket-Cover
11	99-5291	1	Rod-Cover
12	105-3028	1	Chute-Discharge, Side
13	106-8376	1	Discharge Door ASM
13:2	107-0795	1	Latch-Door
13:3	107-7456	1	Cap-Door
13:4	107-7461	1	Screw-Plastite
15	32112-6	1	Nut-Push
16	107-0790	1	RH Rear HOC Plate ASM
18	105-3032	1	Spring-Door, Rear
19	105-1324	1	Rear Door ASM
19:2	104-7909	1	Decal-Warning
19:3	104-7908	1	Decal-Warning
22	46-6810	1	Screw And Washer ASM
23	46-8091	2	Screw-HWH

Ref	Part No.	Qty.	Description
24	105-1842	1	Plug-Discharge, Rear
25	105-1827	1	Rod-Pivot, Rear Door
27	104-9369	1	Plug-Dome
28	107-0783	1	LH Rear HOC Plate ASM
29	105-3006	4	Washer-Stepped
30	105-1834	1	Baffle-Rear
32	107-0793-03	1	Baffle-Front
33	107-0752	1	Kicker-Front
34	32144-111	1	Screw-PPH



### Front Axle Assembly

Ref	Part No.	Qty.	Description
1	614650	2	Bolt-Shoulder
2	105-1814	2	Wheel ASM
3	322-6	2	Screw-HH
4	110-7466	2	Washer-Wheel Bolt
5	105-3048	2	Washer-Flat
6	105-1807	2	Arm-Pivot, Front
7	105-1809	2	Arm-Spring
8	105-3042	2	Knob-Lever, HOC
9	105-1818	2	Bushing-Mount, HOC
10	3296-29	2	Nut-Lock, NI
11	46-8091	1	Screw-HWH
12	104-9398	1	Cover-Cutout
13	105-3005	1	Cover-Belt Opening
14	104-9359	1	Bumper-Mower
15	105-6849	3	Screw-Thread Forming

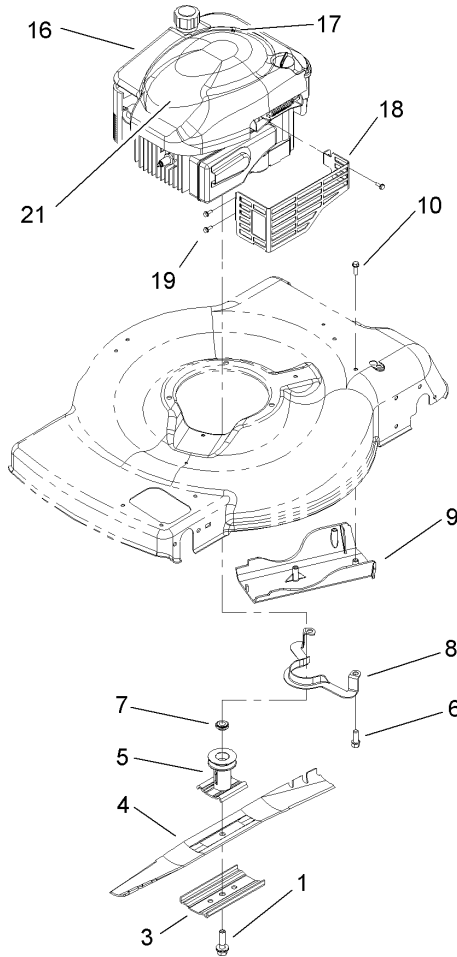


## Rear Axle and Transmission Assembly

Ref	Part No.	Qty.	Description
1	614650	2	Bolt-Shoulder
2	105-3036	2	Wheel Gear ASM
1 2:3		1	Wheel ASM
2:3:1	27-6250	2	Bushing
3	65-2720	4	Klipring-Locking
4	105-3040	2	Gear-Pinion, 15T
6	105-6840	6	Washer-Thrust
7	108-3794	2	Cover-Wheel
1 2:7:1		1	Cover
7:2	614426	1	Washer-Stepped
8	32151-36	2	Ring-Retaining
9	105-1819	2	Arm-Pivot, Rear
10	105-1809	2	Arm-Spring
11	105-3042	2	Knob-Lever, HOC
12	104-8698	2	Retainer-Bearing, HOC
13	104-8699	2	Bearing-Ball
14	39-9650	2	Spring-Compression
15	612066	2	Key
16	106-3956	1	Transmission ASM
17	108-9756	1	Gasket-Gearbox
18	106-6809-03	1	Bracket-Pivot
19	32144-4	2	Screw-HWH
20	92-5791	1	Spacer
21	100-1176	2	Pulley-Half

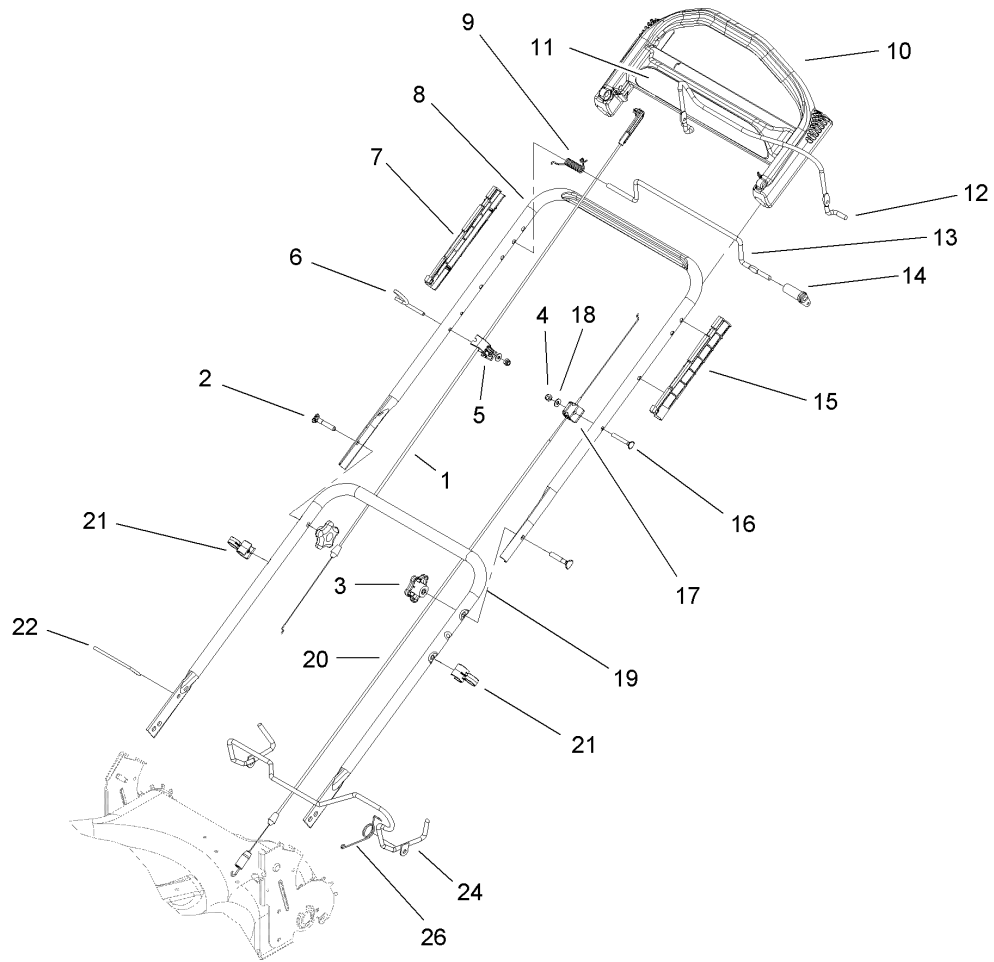
Ref	Part No.	Qty.	Description
22	91-2258	1	V-Belt
23	3256-24	1	Washer-Flat
24	3296-5	1	Nut-Lock
25	105-1811	1	Brace-Plate, HOC
26	105-1843	1	Shield-Trailing
28	322-6	4	Screw-HH
29	3229-11	2	Screw-CARR
30	3296-16	2	Nut-Lock, NI
31	36-4780	1	Washer





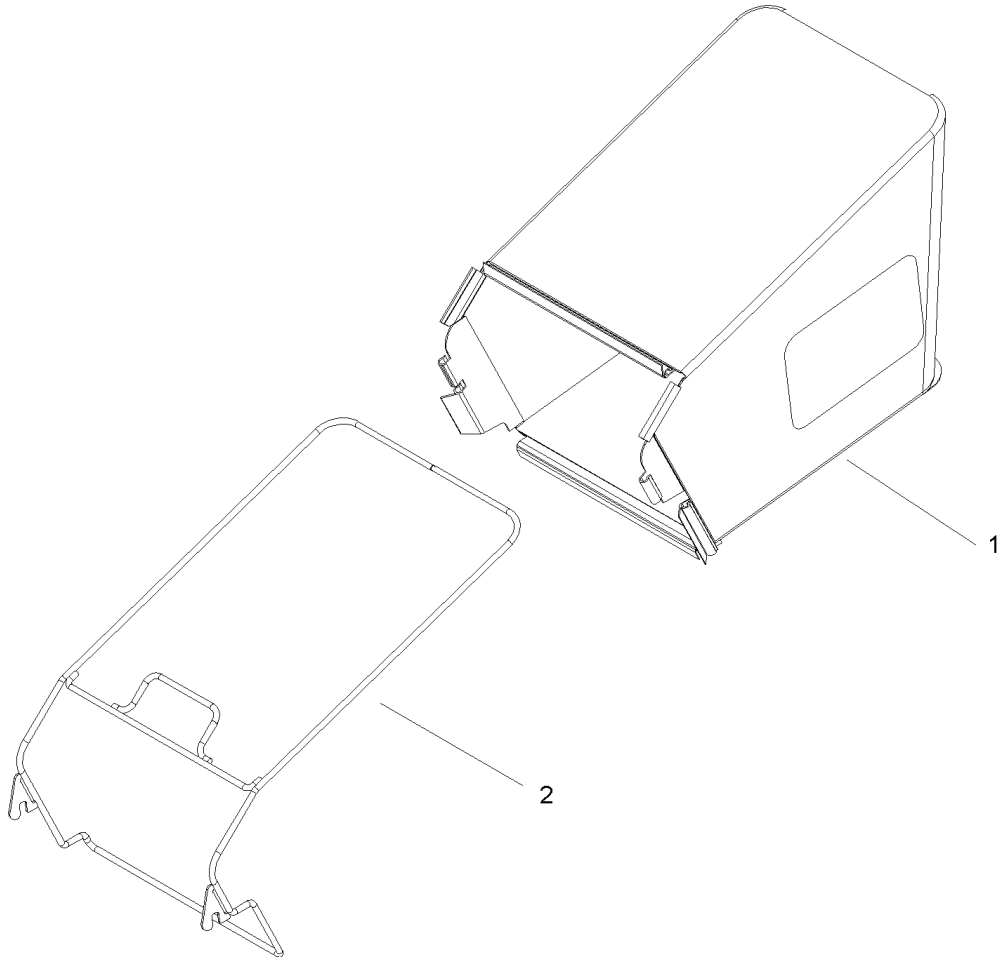
## Engine and Blade Assembly

Ref	Part No.	Qty.	Description
1	105-8579	1	Bolt-Blade
3	105-6848-03	1	Accelerator-Blade
4	108-9783-03	1	Blade-22 Inch
5	106-3987	1	Blade Driver ASM
6	95-1726	3	Screw-Taptite
7	106-3999	1	Spacer-Driver
8	105-3030-03	1	Guide-Belt
9	105-1835	1	Cover-Belt, Rear
10	46-8091	3	Screw-HWH
16		1	Engine-Briggs And Stratton, 122K02-0172-E1
17	2210-316	1	Stop-Rope
18	104-7577-03	1	Shield-Muffler
19	32144-1	3	Screw-Taptite
21	110-7485	1	Decal-Recoil



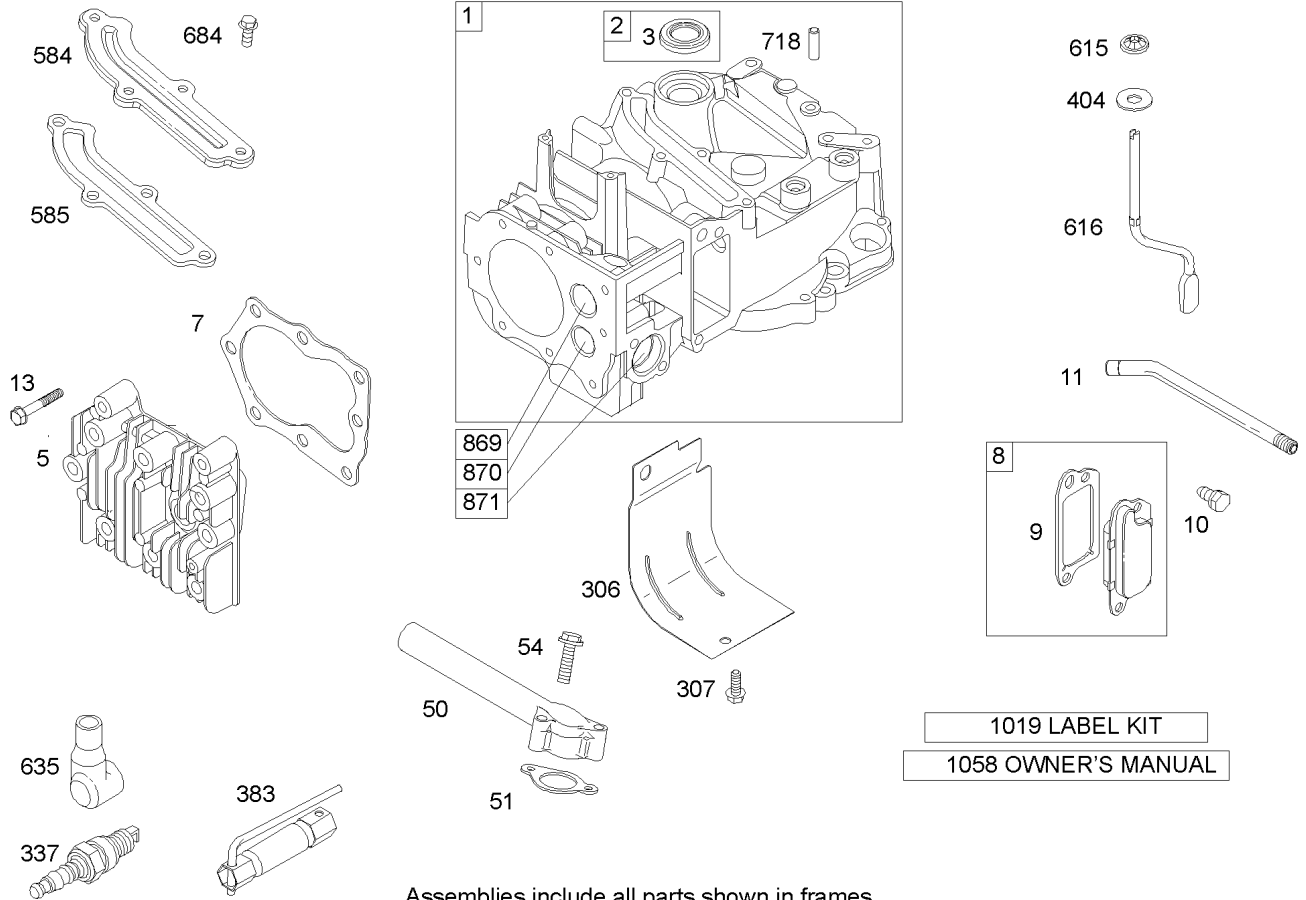
## Handle Assembly

Ref	Part No.	Qty.	Description
1	104-8676	1	Cable-Brake
2	92-2260	2	Screw-Handle
3	106-4161	2	Knob-Handle
4	3296-73	2	Nut-Lock, NI
5	106-8331	1	Anchor-Cable
6	106-8330	1	Guide-Rope
7	105-6841	2	Guide-RH
8	104-8680-05	1	Handle-Upper
9	104-8690	1	Spring-Torsion
10	104-8678	1	Handle-Control
11	107-3762	1	Decal-Handle
12	104-8679-03	1	Bail-Brake
13	99-1588	1	Bar-Control, Traction
14	99-1589	1	Lever-Traction
15	105-6842	2	Guide-LH
16	95-4453	1	Screw
17	92-7729	1	Anchor-Cable, Upper
18	3256-1	2	Washer-Flat
19	107-0784-05	1	Handle-Lower
20	105-1844	1	Cable-Traction
21	106-6805	2	Guide-Cable
22	614249	1	Strap-Tie
24	107-0768	1	Release Lever ASM
26	107-7472	1	Spring-Torsion

### Rear Bag Assembly

Ref	Part No.	Qty.	Description
1	107-3779	1	Grass Bag ASM
2	107-3785-03	1	Bag Frame ASM



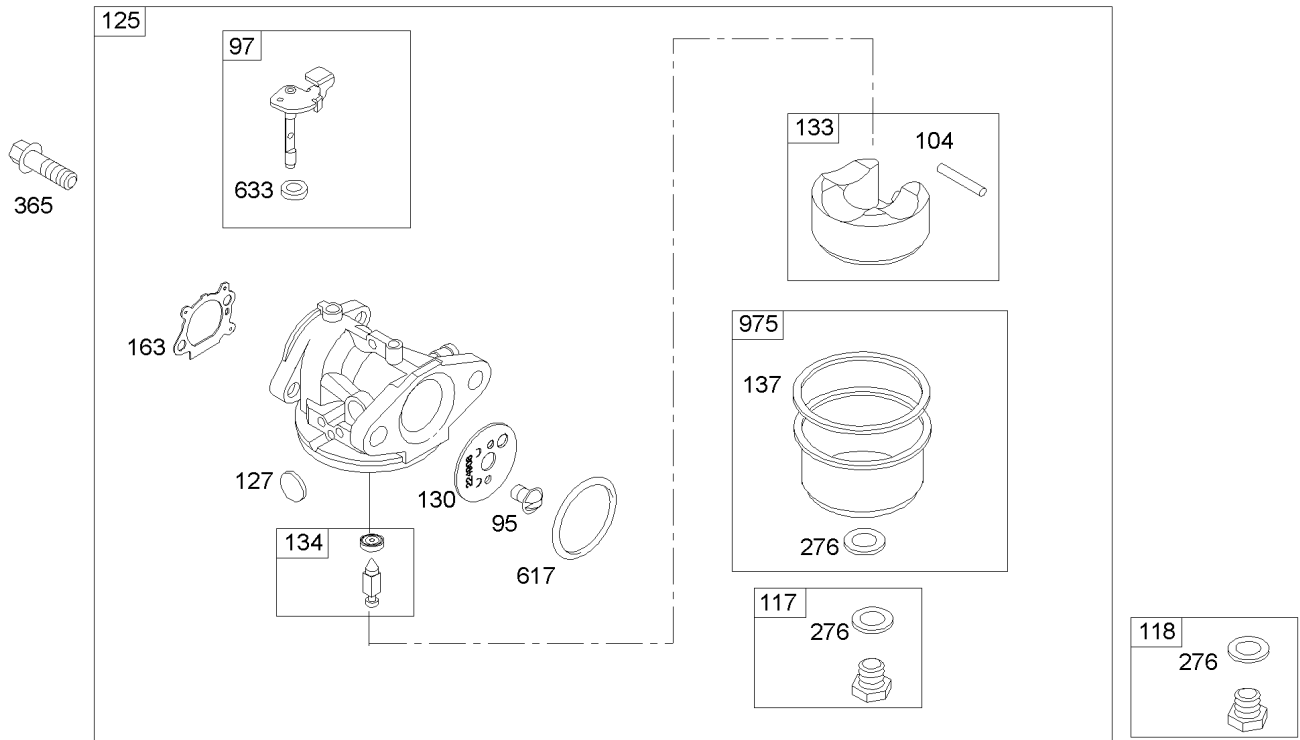
## Cylinder Assembly Briggs and Stratton 122K02-0172-E1

Ref	Part No.	Qty.	Description
1	697322	1	Cylinder ASM
2	399269	1	Bushing/Seal Kit
3	299819	1	Seal-Oil
5	691160	1	Head-Cylinder
7	692249	1	Gasket-Head, Cylinder
8	695250	1	Breather ASM
9	699472	1	Gasket-Breather
10	691125	1	Screw
11	691781	1	Tube-Breather
13	690912	1	Screw
50	497465	1	Manifold-Intake
51	272199	1	Gasket-Intake
54	691650	1	Screw
306	690450	1	Shield-Cylinder
307	690345	1	Screw
337	802592	1	Plug-Spark
383	89838	1	Wrench-Plug, Spark
404	690272	1	Washer
584	697734	1	Cover-Passage, Breather
585	691879	1	Gasket-Passage, Breather
615	690340	1	Retainer-Shaft, Governor
616	698801	1	Crank-Governor
635	66538	1	Boot-Plug, Spark
684	690345	1	Screw

Ref	Part No.	Qty.	Description
718	690959	1	Pin-Locating
869	691155	1	Seat-Valve (Intake)
870	690380	1	Seat-Valve (Exhaust)
871	262001	1	Bushing-Guide (Exhaust)
63709	63709	1	Bushing-Guide (Intake)
1019	494256	1	Label Kit
1058	275177	1	Manual-Owner's





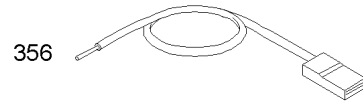
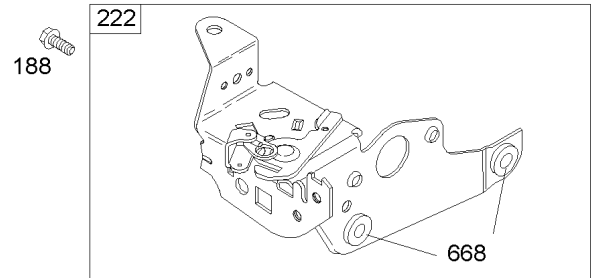
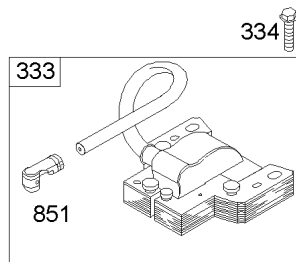
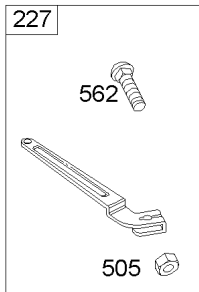
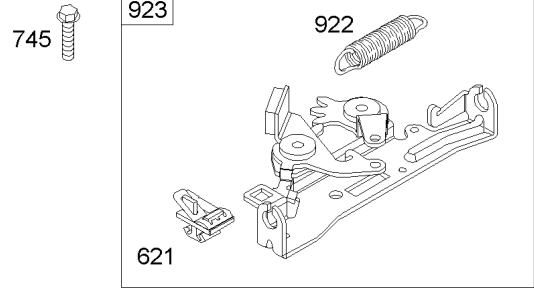
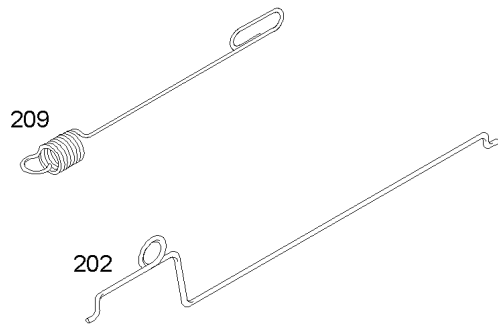


Assemblies include all parts shown in frames.

## Carburetor Assembly Briggs and Stratton 122K02-0172-E1

Ref	Part No.	Qty.	Description
⑥95	691636	1	Screw
⑥97	696565	1	Shaft-Throttle
④⑥104	691242	1	Pin-Hinge, Float
⑥117	498978	1	Jet-Main (Standard)
⑥118	494870	1	Jet-Main (High Altitude)
⑥125	498170	1	Carburetor
④⑥127	694468	1	Plug-Welch
⑥130	696564	1	Valve-Throttle
⑥133	398187	1	Float-Carburetor
④⑥134	398188	1	Needle/Seat Kit
④⑤137	693981	1	Gasket-Bowl, Float
⑥			
③④163	272653	1	Gasket-Cleaner, Air
⑤⑥			
④⑤276	271716	1	Washer-Sealing
⑥			
⑥365	692524	1	Screw
④⑤617	270344	1	Seal-O Ring
⑥			
④⑤633	691321	1	Seal-Shaft, Choke/Throttle
⑥			
⑥975	493640	1	Bowl-Float



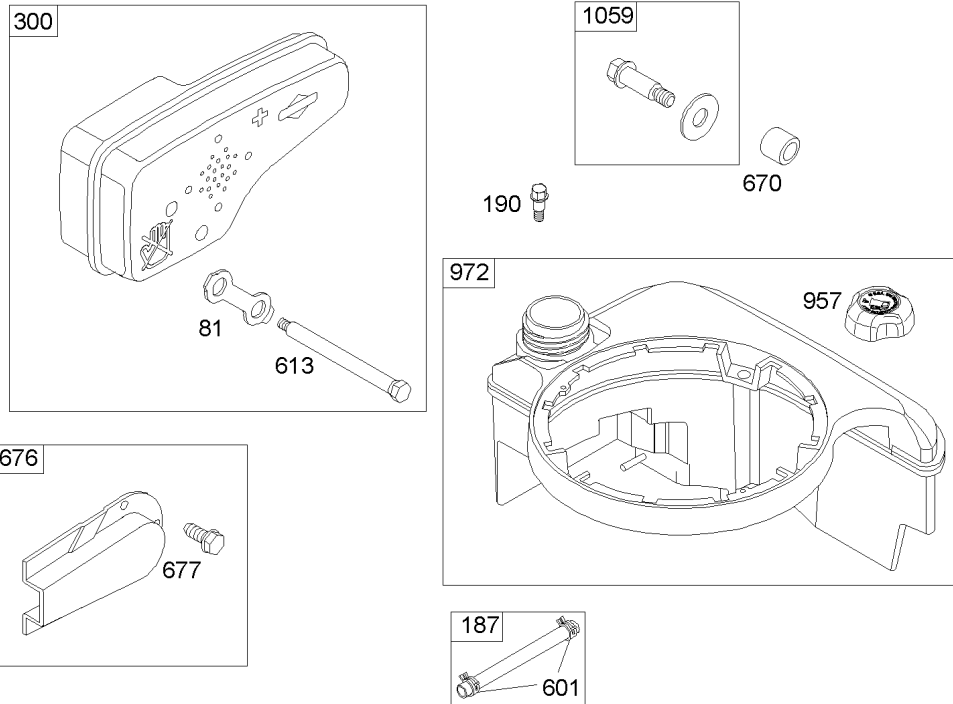


Assemblies include all parts shown in frames.

## Governor Assembly Briggs and Stratton 122K02-0172-E1

Ref	Part No.	Qty.	Description
⑥188	693399	1	Screw
⑥202	691829	1	Link-Governor, Mechanical
⑥209	691852	1	Spring-Governor
⑥222	692467	1	Bracket-Control
⑥227	690783	1	Lever-Control, Governor
⑥333	802574	1	Armature-Magneto
⑥334	691061	1	Screw
⑥356	692390	1	Wire-Stop
⑥505	691251	1	Nut
⑥562	691119	1	Screw
⑥621	692310	1	Switch-Stop
⑥668	493823	1	Spacer
⑥745	691648	1	Screw
⑥851	493880	1	Terminal-Spark Plug
⑥922	691831	1	Spring-Brake
⑥923	691994	1	Brake ASM

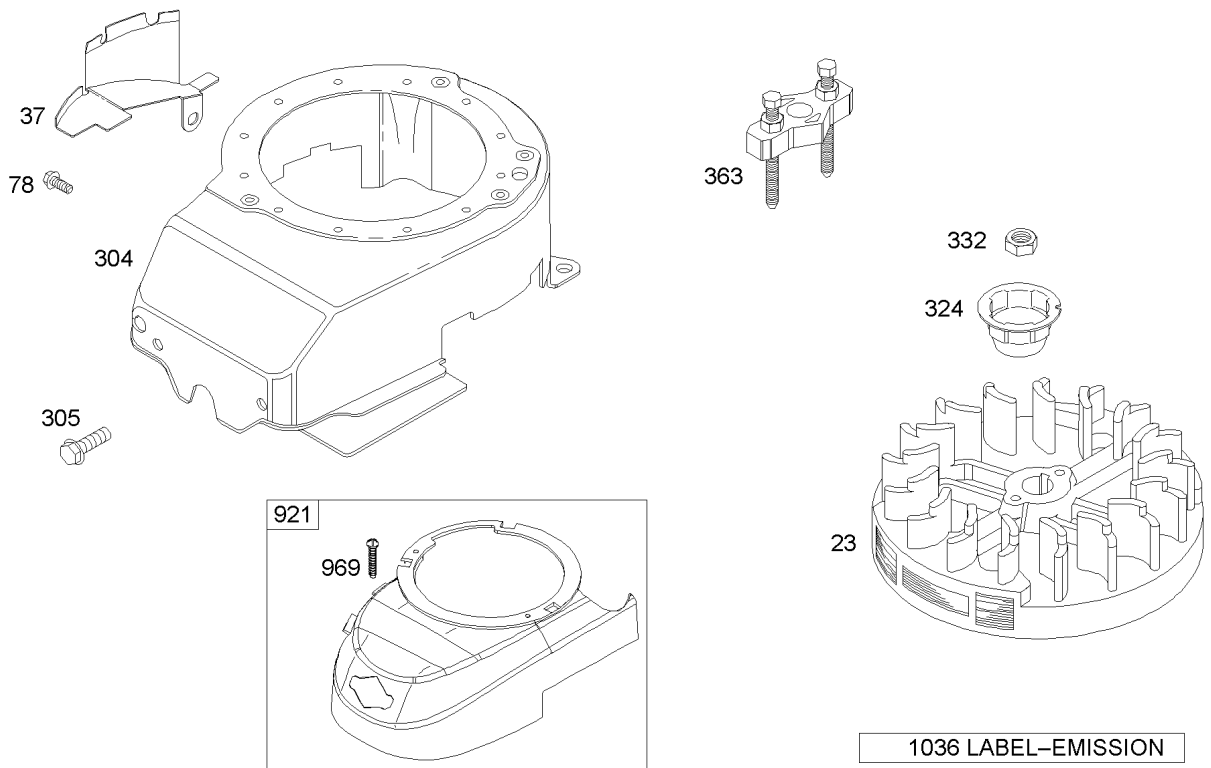
--	--	--	--



Assemblies include all parts shown in frames.

## Muffler and Fuel Tank Assembly Briggs and Stratton 122K02-0172-E1

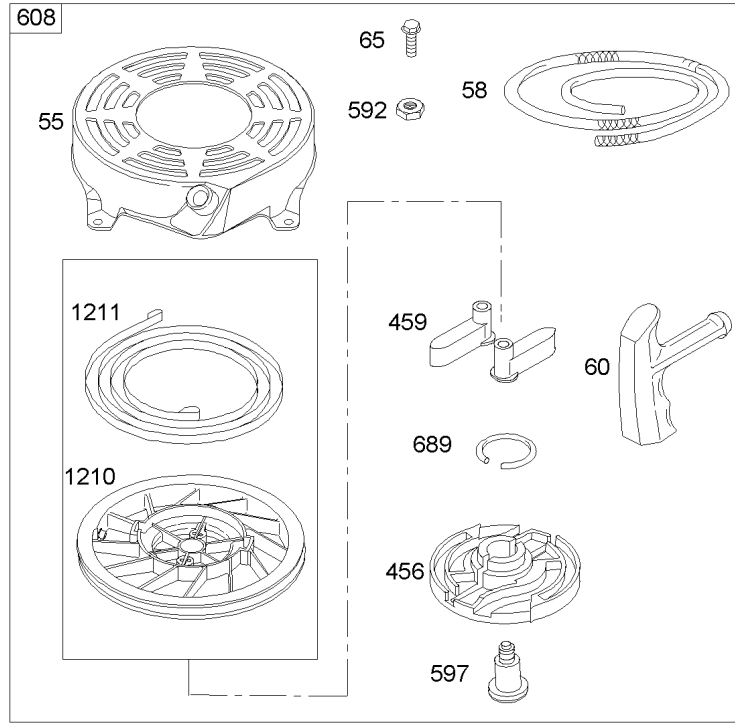
Ref	Part No.	Qty.	Description
ⓐ81	691740	1	Lock-Screw, Muffler
ⓐ187	691050	1	Line-Fuel (Cut To Required Length)
ⓐ190	690940	1	Screw
ⓐ300	692038	1	Muffler
ⓐ601	95162	1	Clamp-Hose
ⓐ613	691340	1	Screw
ⓐ670	692294	1	Spacer-Tank, Fuel
ⓐ676	493871	1	Deflector-Muffler
ⓐ677	690661	1	Screw
ⓐ957	692046	1	Cap-Tank, Fuel
ⓐ972	699374	1	Tank-Fuel
ⓐ1059	692311	1	Screw/Washer Kit



Assemblies include all parts shown in frames.

## Blower Housing Assembly Briggs and Stratton 122K02-0172-E1

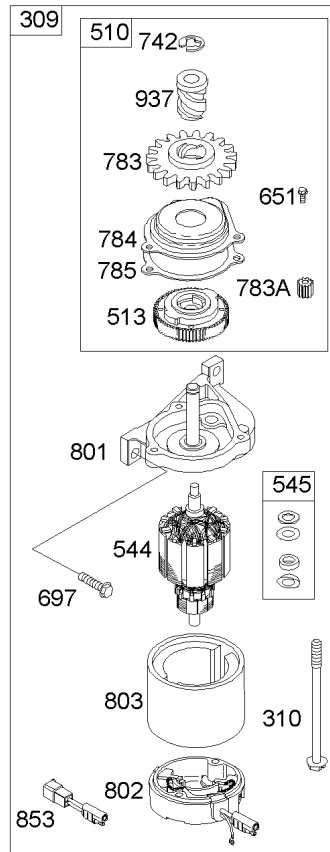
Ref	Part No.	Qty.	Description
⑥23	691987	1	Flywheel
⑥37	694086	1	Guard-Flywheel
⑥78	691108	1	Screw
⑥304	493293	1	Housing-Blower
⑥305	691108	1	Screw
⑥324	695161	1	Cup/Screen ASM
⑥332	690662	1	Nut
⑥363	19069	1	Puller-Flywheel
⑥921	790036	1	Cover-Housing, Blower
⑥969	691138	1	Screw
⑥1036	697457	1	Label-Emission



Assemblies include all parts shown in frames.

## Recoil Starter Assembly Briggs and Stratton 122K02-0172-E1

Ref	Part No.	Qty.	Description
655	691421	1	Housing-Starter, Rewind
658	697316	1	Rope-Starter (Cut To Required Length)
660	281434	1	Grip-Rope, Starter
665	690837	1	Screw
6456	692299	1	Plate-Friction, Pawl
6459	281505	1	Ratchet-Pawl
6592	690800	1	Nut
6597	691696	1	Screw
6608	497680	1	Starter-Rewind
6689	691855	1	Spring-Friction
61210	498144	1	Pulley/Spring ASM (Pulley)
61211	498144	1	Pulley/Spring ASM (Spring)

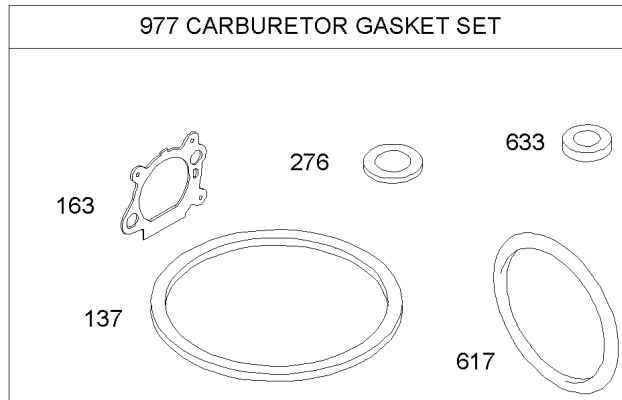
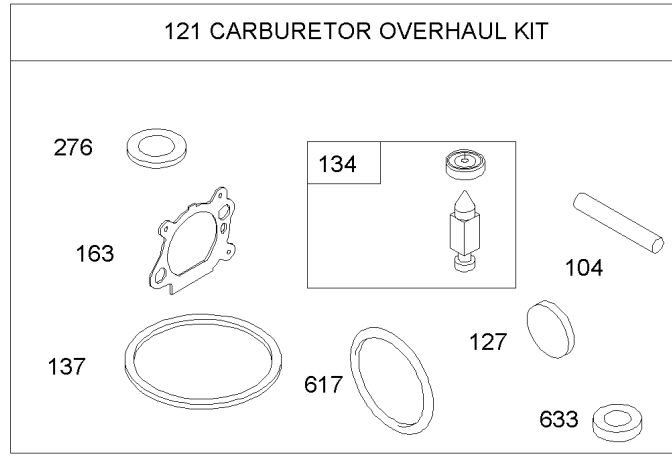


Assemblies include all parts shown in frames.

## Electric Starter Assembly Briggs and Stratton 122K02-0172-E1

Ref	Part No.	Qty.	Description
309	695550	1	Motor-Starter
310	692327	1	Bolt
510	494147	1	Drive-Starter
513	692358	1	Clutch-Drive
544	690786	1	Armature-Starter
545	492919	1	Washer Set
651	690345	1	Screw
697	691127	1	Screw
742	93941	1	Retainer-E Ring
783	691918	1	Gear-Pinion
783A	691269	1	Gear-Pinion
784	692341	1	Cover-Gear, Starter
785	692352	1	Gasket-Cover, Starter
801	690782	1	Cap-Drive
802	695267	1	Cap-End
803	695266	1	Housing-Starter
853	695268	1	Adapter-Wire
937	691325	1	Spline-Starter





Assemblies include all parts shown in frames.

## Carburetor Overhaul Kit Assembly Briggs and Stratton 122K02-0172-E1

Ref	Part No.	Qty.	Description
4 6 104	691242	1	Pin-Hinge, Float
6 121	498260	1	Carburetor Overhaul Kit
4 6 127	694468	1	Plug-Welch
4 6 134	398188	1	Needle/Seat Kit
4 5 137	693981	1	Gasket-Bowl, Float
6			
3 4 163	272653	1	Gasket-Cleaner, Air
6			
4 5 276	271716	1	Washer-Sealing
6			
3 4 617	270344	1	Seal-O Ring
5 6			
4 5 633	691321	1	Seal-Shaft, Choke/Throttle
6			
6 977	498261	1	Carburetor Gasket Set

## NOTES

# NOTES

