



## 824 Snowthrower

Model No. 38053 - 200000001 and up.

Model No. 38078 - 200000001 and up.

## Parts Catalog

---

### Ordering Replacement Parts

To order replacement parts, please supply the part number, the quantity, and the description of each part desired.

### Understanding Reference Numbers

Each identified part in an illustration has a reference number. The reference number for a part also appears in the parts list, along with other information about the part.

This catalog uses two special reference number formats, one to indicate parts in a service assembly and another to indicate the quantity of a given part in an illustration.

### Service Assembly Reference Numbers

Parts in service assemblies have reference numbers in the form a:b. The a represents the reference number of the entire service assembly and the b represents a sequential number unique to each part within the service assembly.

For example, a wheel assembly might be identified by reference number 6, the tire by 6:1, the valve by 6:2, and the wheel by 6:3. When you order the assembly identified by reference number 6, you receive all parts identified by reference numbers 6:1, 6:2, and 6:3. However, you may also order any part individually. Reference numbers of this type appear in illustrations and in part lists.

### Reference Numbers Indicating Quantity

In an illustration, if a reference number indicates more than one part, the reference number has the form nX y. The n represents the quantity of the part, the X is the multiplication symbol, and the y represents the reference number.

For example, in an illustration, the reference number 2X 37 means that two of the parts identified by reference number 37 are indicated.

# Contents

Description	Page	Description	Page
Auger and Housing Assembly	..... 3	Recoil Starter No. 590749 Tecumseh	
Gear Case Assembly No. 95-2674	..... 4	HMSK80-155672V (Model No. 38078 Only)	..... 15
Upper Traction Assembly	..... 5	Recoil Starter No. 590733 Tecumseh	
Lower Traction Assembly	..... 6	HMSK80-155672V (Model No. 38078 Only)	..... 16
Engine and Frame Assembly	..... 7	(Optional)	
Handle and Control Assembly	..... 8	Electric Starter No. 33329e (110 Volt)	
Engine Assembly No. 1 Tecumseh HMSK80-155672V (Model No. 38078 only)	..... 10	Tecumseh HMSK80-155672V (Model No. 38078 Only)	..... 17
Engine Assembly No. 2 Tecumseh HMSK80-155672V (Model No. 38078 only)	..... 12	Engine Assembly No. 1 Tecumseh HMSK80-155645V (Model No. 38053 only)	..... 18
Carburetor No. 640052 Tecumseh HMSK80-155672V (Model No. 38078 Only)	..... 14	Engine Assembly No. 2 Tecumseh HMSK80-155645V (Model No. 38053 only)	..... 20
		Carburetor No. 640052 Tecumseh HMSK80-155645V (Model No. 38053 Only)	..... 22
		Recoil Starter No. 590749 Tecumseh	
		HMSK80-155645V (Model No. 38053 Only)	..... 23
		Attachments and Accessories List	..... 24

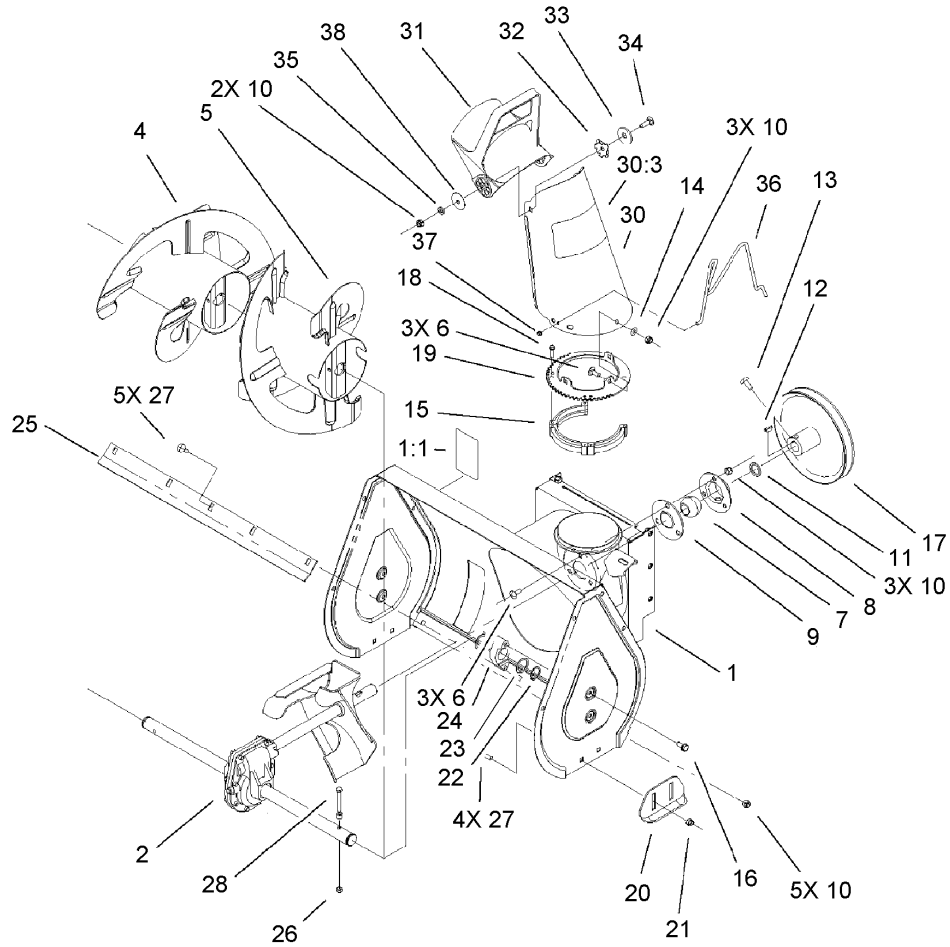
## Part Description Abbreviations

Part descriptions in this catalog may include the following abbreviations.

AR. .... as required	HYD. .... hydraulic
ASM. .... assembly	LH. .... left hand
BBC. .... blade brake clutch	NI. .... nylon insert
CARR. .... carriage	NPTF. .... national pipe thread fine
DEG. .... degrees	PFH. .... phillips flat head
EXT. .... external	PPH. .... phillips pan head
FH. .... flat head	PPHTF. .... phillips pan head thread forming
GA. .... gauge	PRH. .... phillips round head
HD. .... heavy-duty	PTH. .... phillips truss head
HF. .... hex flange	PTO. .... power-take-off
HH. .... hex head	RH. .... right hand
HHF. .... hex head flange	ROPS. .... roll-over protection system
HHFTF. .... hex head flange thread forming	SFH. .... slotted fillister head
HJ. .... hex jam	SHH. .... slotted hex head
HLH. .... hex lag head	SHWH. .... slotted hex washer head
HOC. .... height-of-cut	SPH. .... slotted pan head
HSBH. .... hex socket button head	SQH. .... square head
HSFH. .... hex socket flat head	SRH. .... slotted round head
HSH. .... hex socket head	STD. .... standard
HWH. .... hex washer head	TAP. .... self tapping
HWHTF. .... hex washer head thread forming	TTH. .... torx truss head

## Footnotes

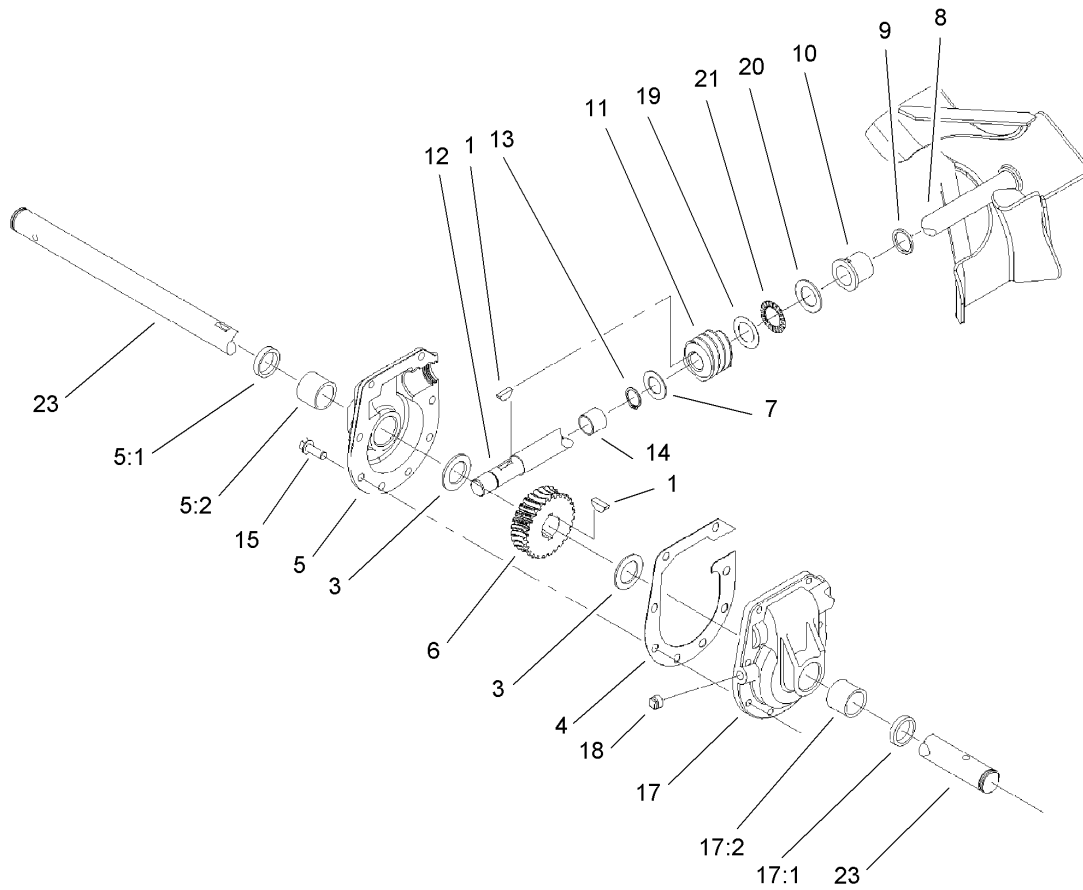
- |                                 |  |
|---------------------------------|--|
| ❶ Not illustrated               | ❷ Not serviced separately                |
| ❸ Not Included with Starter     | ❹ Obtain from your local Tecumseh dealer |
| ❺ Included in Gasket Set 36450A |  |



## Auger and Housing Assembly

Ref	Part No.	Qty.	Description
1	100-5498	1	Auger Housing ASM (Only On: 38078)
1	100-5496	1	24 Inch Auger Housing ASM (Only On: 38053)
1:1	53-7670	1	Decal-Warning, Auger (Only On: 38078)
1:1	94-2568	1	Decal-Warning, Auger (Only On: 38053)
2	95-2674	1	Gear Case ASM
4	74-1600-03	1	24 Inch RH Auger ASM
5	74-1590-03	1	24 Inch LH Auger ASM
6	3230-18	6	Screw-CARR
7	63-3450	1	Bearing-Ball
8	26-6110	1	Flange-Cup, Bearing
9	26-6120	1	Flange-Cup, Bearing
10	3296-29	13	Nut-Lock, NI
11	3-0737	1	Washer
12	3257-23	1	Key-Woodruff
13	3242-4	2	Screw-Set, SQH
14	3256-23	3	Washer-Flat
15	37-6490	3	Ring-Chute, Retainer
16	32144-70	4	Screw-HWHTF
17	95-2677	1	Pulley-Impeller
18	27-0220	6	Screw-Special
19	37-8941-03	1	Ring-Chute

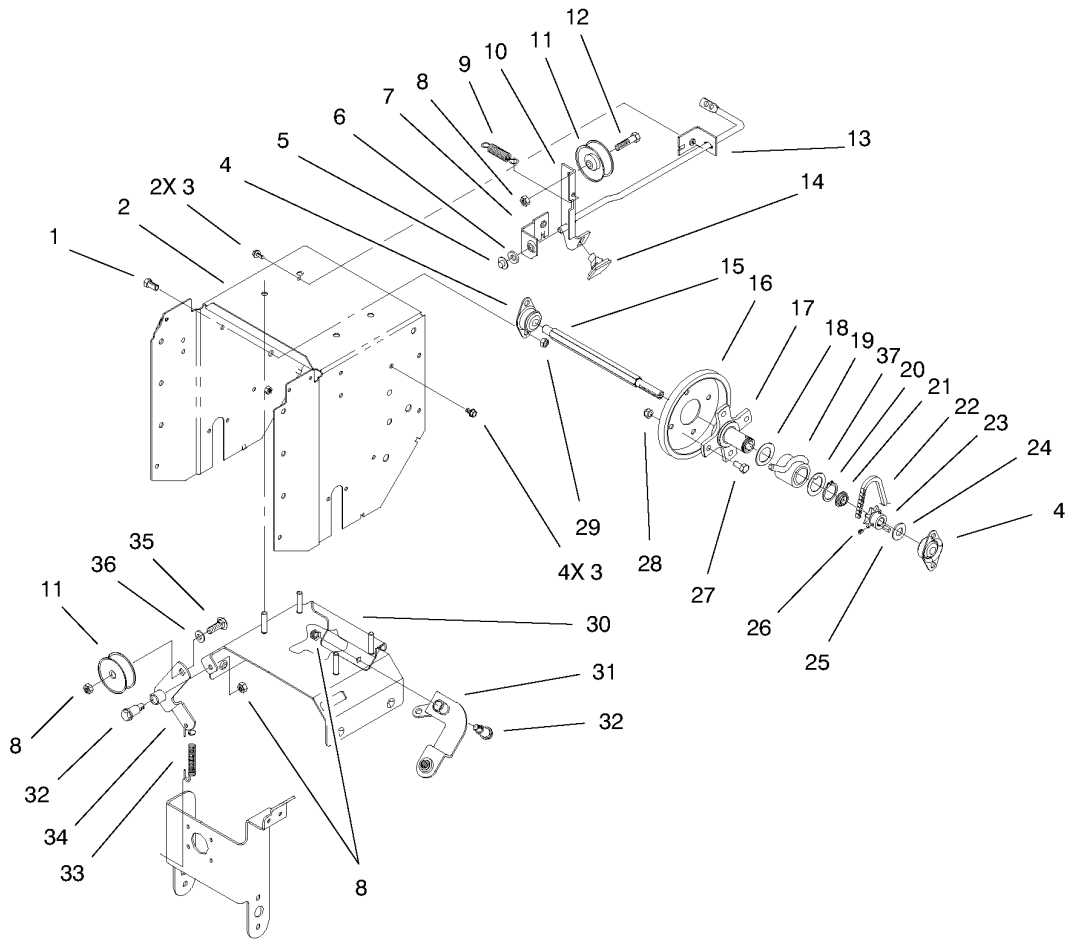
Ref	Part No.	Qty.	Description
20	40-8160-01	2	Skid
21	32128-20	4	Nut-HF
22	32151-36	2	Ring-Retaining
23	5-1550	4	Washer
24	37-6550	2	Bearing-Auger
25	100-3555-01	1	Blade-Scraper, 24 Inch
26	3296-42	2	Nut-Lock, NI
27	3230-1	9	Bolt-CARR
28	321-10	2	Screw-HH
30	94-2792	1	Chute ASM (Only On: 38053)
30	94-2793	1	Chute ASM (Only On: 38078)
30:3	94-2558	1	Decal-Danger (Only On: 38053)
30:3	94-8079	1	Decal-Danger (Only On: 38078)
31	56-2680	1	Chute-Deflector
32	55-8950	2	Plate-Friction
33	20-4320	2	Washer-Rubber
34	3230-22	2	Screw-CARR
35	3290-456	2	Washer-Belleville
36	56-2670	1	Wire-Chute
37	3290-326	1	Nut-Push
38	3256-68	2	Washer-Flat



### Gear Case Assembly No. 95-2674

Ref	Part No.	Qty.	Description
1	3257-33	1	Key-Woodruff
3	252-71	2	Washer-Thrust
4	51-0460	1	Gasket-Case, Gear
5	14-2449	1	RH Bushing Case ASM
5:1	7-0045	1	Seal-Oil
5:2	256-237	1	Bushing
6	5-7180	1	Gear-Worm, 27T
7	3-8664	1	Washer-Thrust
8	95-2675-03	1	Impeller ASM
9	237-87	1	Ring-Quad
10	37-6560	1	Bushing-Input
11	5-7170	1	Gear
12	3257-23	1	Key-Woodruff
13	32120-72	1	Ring-Snap
14	256-32	1	Bushing
15	32144-41	8	Screw-Taptite
17	14-2459	1	LH Bushing Case ASM
17:1	7-0045	1	Seal-Oil
17:2	256-237	1	Bushing
18	281-1	1	Plug-Pipe, SQH
19	252-80	1	Washer-Thrust
20	257-3	1	Washer-Thrust
21	252-76	1	Bearing-Thrust
23	37-6801	1	Shaft-Auger

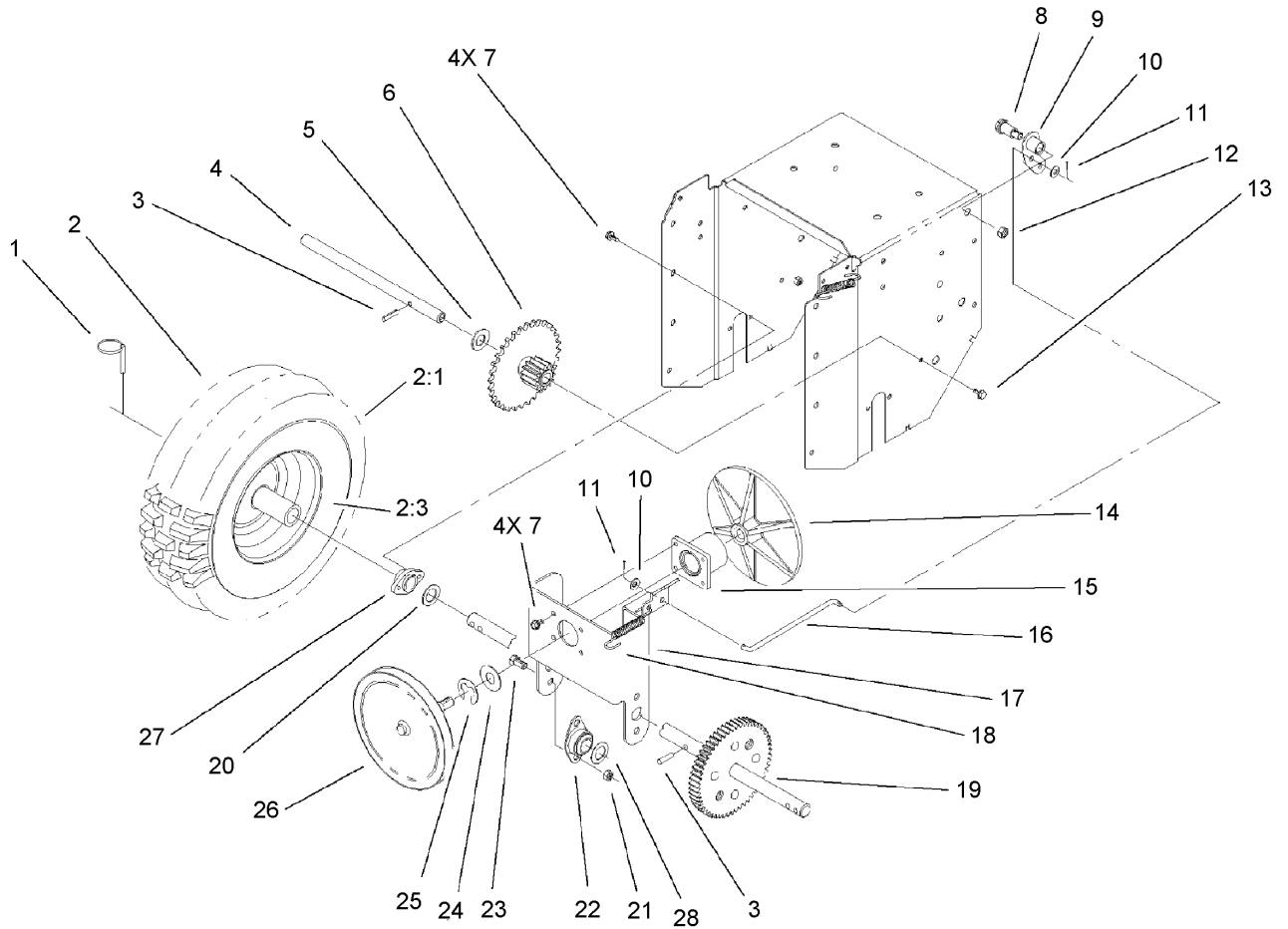
--	--	--	--



## Upper Traction Assembly

Ref	Part No.	Qty.	Description
1	323-4	4	Screw-HH
2	95-6157-01	1	Frame-Traction ASM
3	32144-4	6	Screw-HWH
4	94-8824	2	Bearing-Triangle
5	3290-320	1	Retainer-Push On
6	3256-24	1	Washer-Flat
7	94-8829	1	Mounting-Clutch Rod Bracket
8	3296-59	4	Nut-Lock, NI
9	53-7570	1	Spring
10	94-9942-03	1	Clutch-Auger
11	3-4244	2	Pulley-Idler
12	323-29	1	Screw-HH
13	94-8841	1	Mounting-Rear Clutch Rod
14	66-8060	1	Pad-Brake
15	94-8816	1	Shaft-Hex
16	40-8170	1	Friction Wheel
17	95-7931	1	Hub-Traction Disc
18	9547	1	Washer-Thrust
19	94-8883	1	Slider Ring ASM
20	32151-36	1	Ring-Retaining
21	94-8862	1	Spacer
22	20-1810	1	Roller-Chain
22	2710-6	1	Link-Connecting (Only On: 38078)
22:1	2710-6	1	Link-Connecting (Only On: 38078)

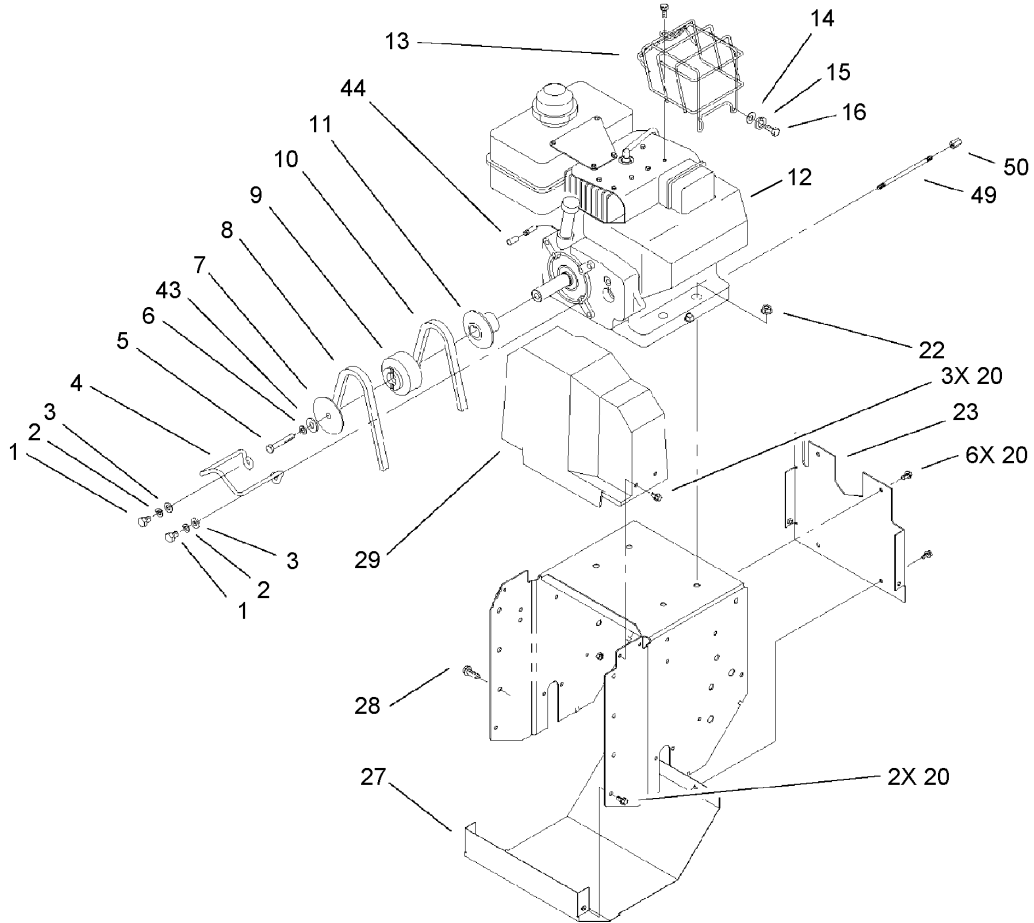
Ref	Part No.	Qty.	Description
23	5-9820	1	Sprocket
24	611878	1	Washer-Thrust
25	94-8850	1	Key-Square
26	3245-32	2	Screw-HSH
27	322-3	4	Screw-HH
28	3296-29	4	Nut-Lock, NI
29	3296-39	4	Nut-Lock, NI
30	94-8851-03	1	Brace ASM
31	99-9315	1	Shift Arm ASM
32	94-8859	2	Bolt-Shoulder
33	94-8870	1	Spring-Extension Idler
34	94-8864	1	Bracket-Idler Hub
35	3231-26	1	Screw-CARR
36	9202594	1	Washer
37	98-2252	1	Washer-Thrust



## Lower Traction Assembly

Ref	Part No.	Qty.	Description
1	3290-243	2	Pin-Lynch
2	67-9221	2	Wheel And Tire ASM
2:1	231-120	1	Tire
2:2	232-46	1	Tube
2:3	241-131	1	Rim-Wheel
3	32121-9	4	Pin-Roll, Slotted
4	94-8814	1	Shaft-Intermediate
5	7-3590	1	Washer
6	94-8856	1	Gear/Bushing ASM
7	32144-4	8	Screw-HWH
8	94-8859	1	Bolt-Shoulder
9	94-8822	1	Hub-Pivot
10	3256-67	2	Washer-Flat
11	3272-4	2	Pin-Cotter
12	3296-59	1	Nut-Lock, NI
13	32144-14	2	Screw-HWH
14	94-8857	1	Disc-Friction
15	94-8845	1	Bearing Hub ASM
16	94-8818	1	Rod-Engage
17	94-8833-03	1	Frame-Friction Plate
18	94-8813	1	Spring-Engage
19	94-8855	1	Axle
20	3-8664	2	Washer-Thrust
21	3296-39	4	Nut-Lock, NI

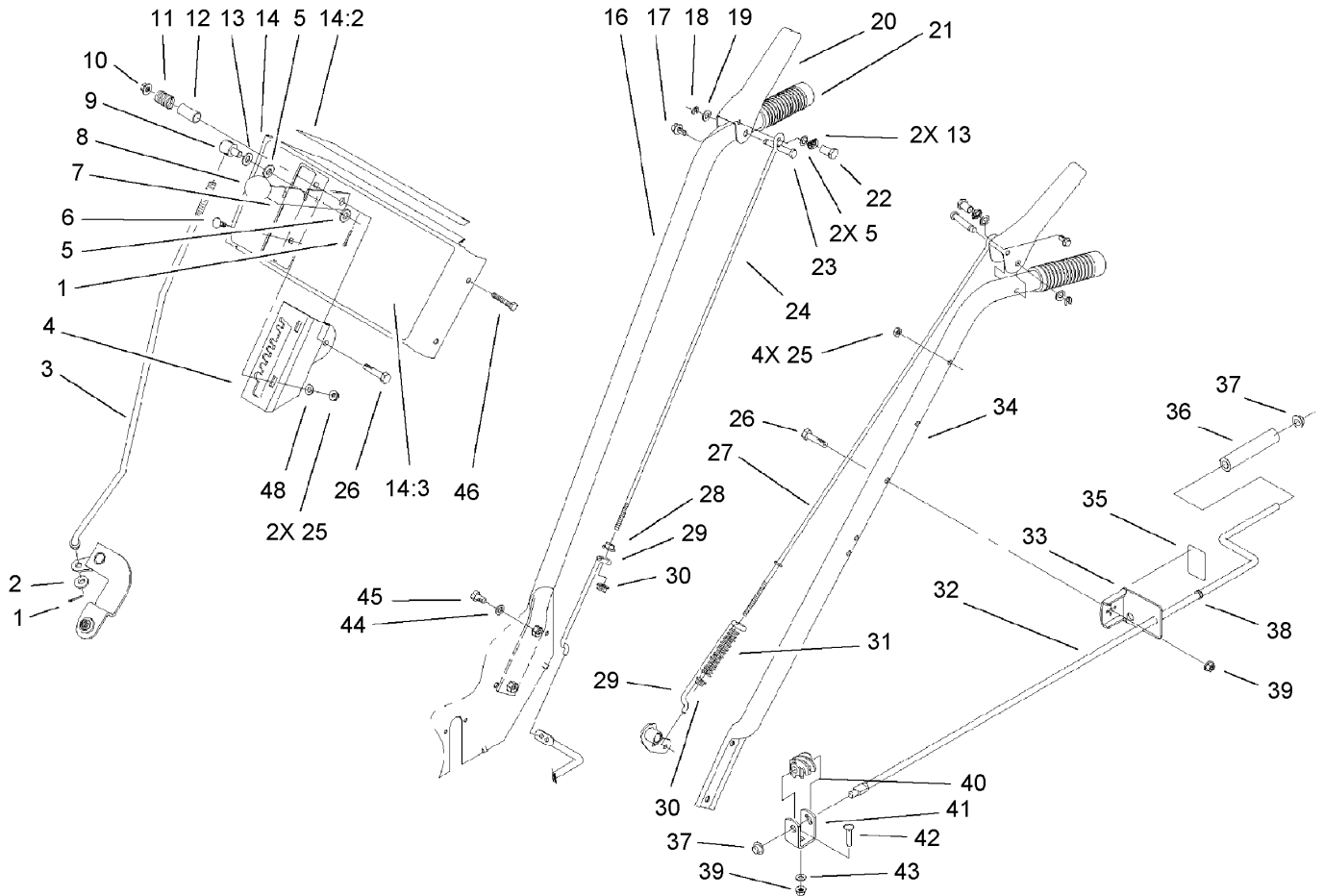
Ref	Part No.	Qty.	Description
22	68-2970	2	Bushing
23	323-4	4	Screw-HH
24	252-80	1	Washer-Thrust
25	32151-103	1	Ring-Snap
26	94-8823	1	Pulley/Shaft ASM
27	37-6850	2	Bearing-Axle
28	3-6498	2	Washer-Thrust



## Engine and Frame Assembly

Ref	Part No.	Qty.	Description
1	3210-3	2	Screw-HH
2	3253-4	2	Washer-Lock
3	3256-23	2	Washer-Flat
4	95-7917	1	Guide-Belt
5	3212-8	1	Screw-HH
6	3253-6	1	Washer-Lock
7	62-0940	1	Sheave-Half, Impeller
8	26-9671	1	Belt V
9	94-8849	1	Pulley-Engine Center
10	94-8812	1	V Belt-Traction
11	62-0920	1	Sheave-Half, Traction
②④12		1	Engine-Tecumseh, Hmsk80-155672V (Only On: 38078)
①12:3	99-9300	1	Cord-Extension (Only On: 38078)
②④12		1	Engine-Tecumseh, Hmsk80-155645V (Only On: 38053)
13	94-2763	1	Guard-Muffler (Only On: 38053)
14	3256-49	2	Washer-Flat (Only On: 38053)
15	3253-17	2	Washer-Lock (Only On: 38053)
16	93-8048	2	Screw (Only On: 38053)
20	32144-4	11	Screw-HWH
22	32128-20	4	Nut-HF
23	95-6156-01	1	Plate-Back
27	94-8844-01	1	Cover-Bottom

Ref	Part No.	Qty.	Description
28	32144-14	6	Screw-HWH
29	94-8802	1	Cover-Upper Belt
43	3256-41	1	Washer
44	94-2782	1	Cap-Wire, Lite
49	289-34	1	Nipple-Pipe
50	288-2	1	Cap-Pipe

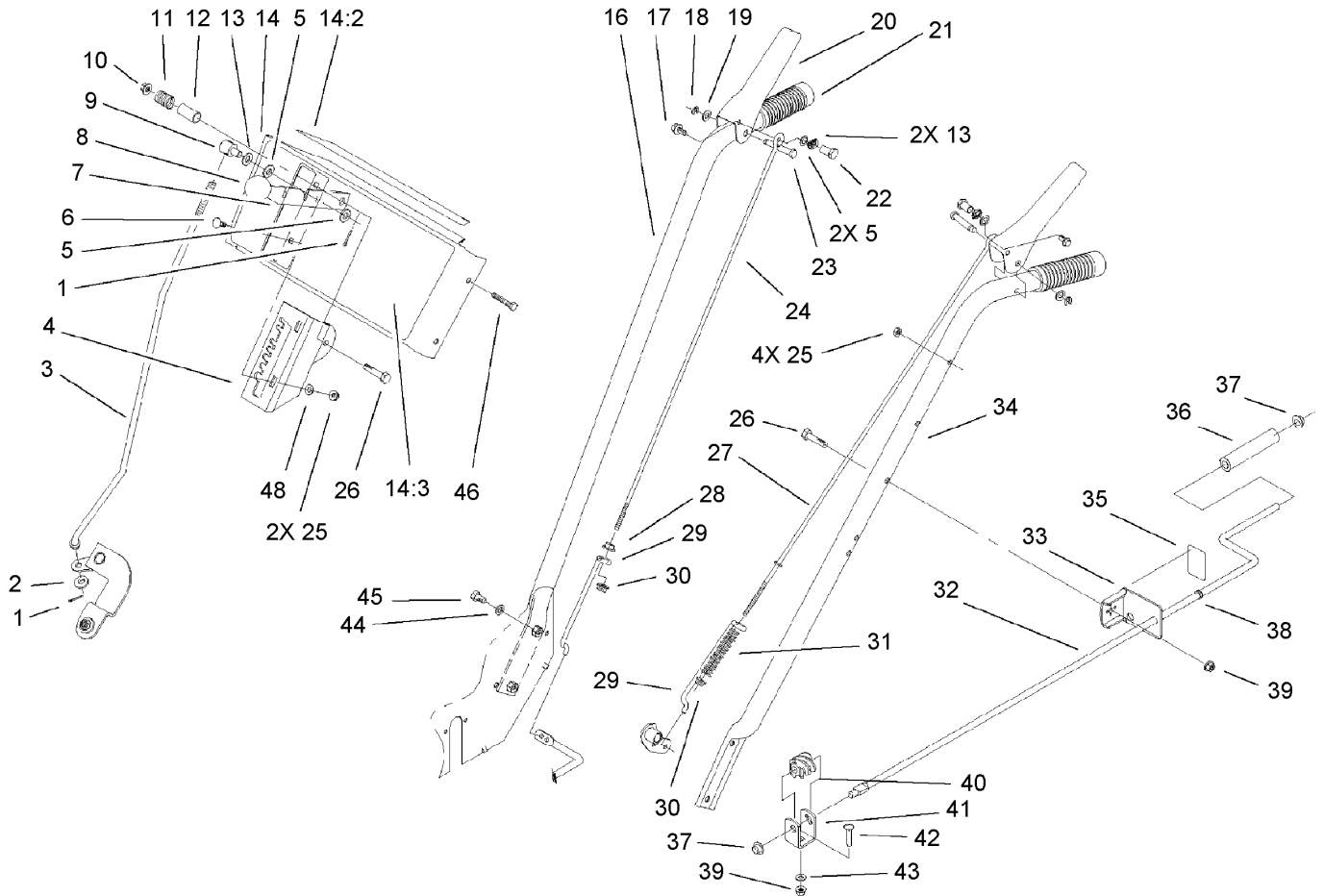


## Handle and Control Assembly

Ref	Part No.	Qty.	Description
1	3272-4	2	Pin-Cotter
2	3256-38	1	Washer-Flat
3	94-9875	1	Rod-Shift
4	99-1799-03	1	Mount-Speed Selector
5	3256-24	4	Washer-Flat
6	3229-11	2	Screw-CARR
7	94-8806-03	1	Selector-Speed
8	233-21	1	Knob
9	101161	1	Trunnion
10	32128-13	1	Nut-HF
11	37-9150	1	Spring
12	40-8130	1	Spacer
13	612586	3	Washer-Spring
14	100-3570	1	Control Panel ASM (Only On: 38078)
14	100-3571	1	Control Panel ASM (Only On: 38053)
14:2	100-3412	1	Decal-Escutcheon Back (Only On: 38078)
14:2	100-3411	1	Decal-Escutcheon Back (Only On: 38053)
14:3	100-3564	1	Decal-Control Panel (Only On: 38053)
14:3	100-3341	1	Decal-Control Panel (Only On: 38078)
16	94-8804-03	1	Handle-Right

Ref	Part No.	Qty.	Description
17	3234-13	2	Screw-HHF
18	32151-73	2	Ring-Clip
19	3256-23	2	Washer-Flat
20	63-3640	2	Handle-Control
21	74-1360	2	Grip-Handle
22	47-4990	2	Post-Mounting, Linkage
23	52-5600	2	Pin-Lever, Control
24	94-8838	1	Rod-Upper Engage Auger
25	3296-42	6	Nut-Lock, NI
26	322-7	2	Screw-HH
27	94-8837	1	Rod-Upper Traction
28	32128-33	1	Nut-HF
29	94-8836	2	Rod-Lower Traction
30	32128-32	2	Nut-HHF
31	38-4520	1	Spring
32	40-8270	1	Rod-Control, Chute
33	25-6090	1	Bracket-Rod, Chute
34	95-2695-03	1	Left Handle
35	63-3510	1	Decal-Chute Direction
36	40-8230	1	Grip-Control, Chute
37	3290-320	2	Retainer-Push On
38	256-249	1	Bushing
39	3296-29	2	Nut-Lock, NI
40	40-8250	1	Gear-Worm, Chute





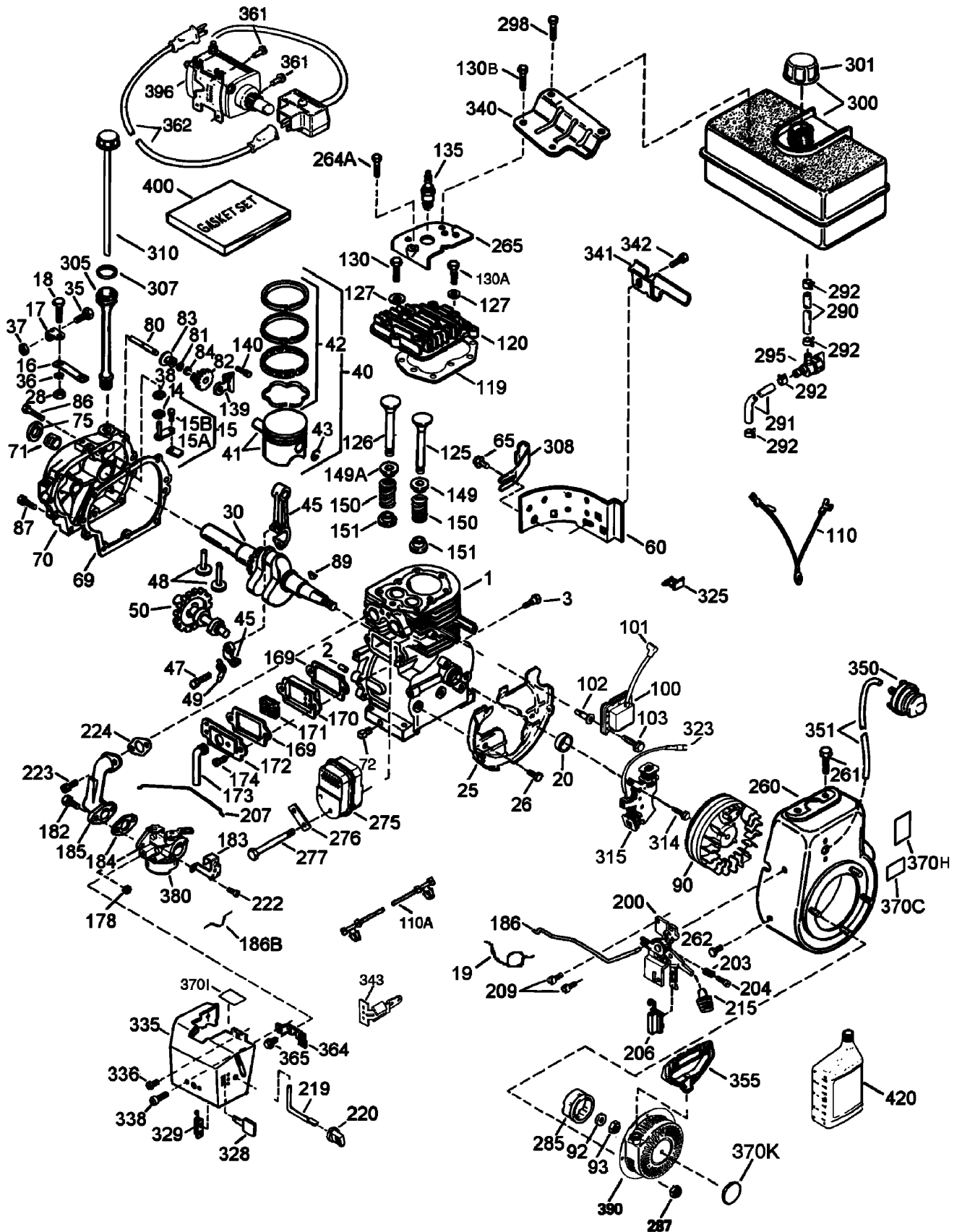
## Handle and Control Assembly (continued)

Ref	Part No.	Qty.	Description
41	40-8280	1	Bracket-Worm
42	3230-22	1	Screw-CARR
43	3290-238	1	Washer-Lock
44	3290-456	4	Washer-Belleville
45	32144-14	4	Screw-HWH
46	321-9	4	Screw-HH
48	3256-22	2	Washer-Flat

Ref	Part No.	Qty.	Description

# Engine Assembly No. 1

## Tecumseh HMSK80-155672V (Model No. 38078 only)



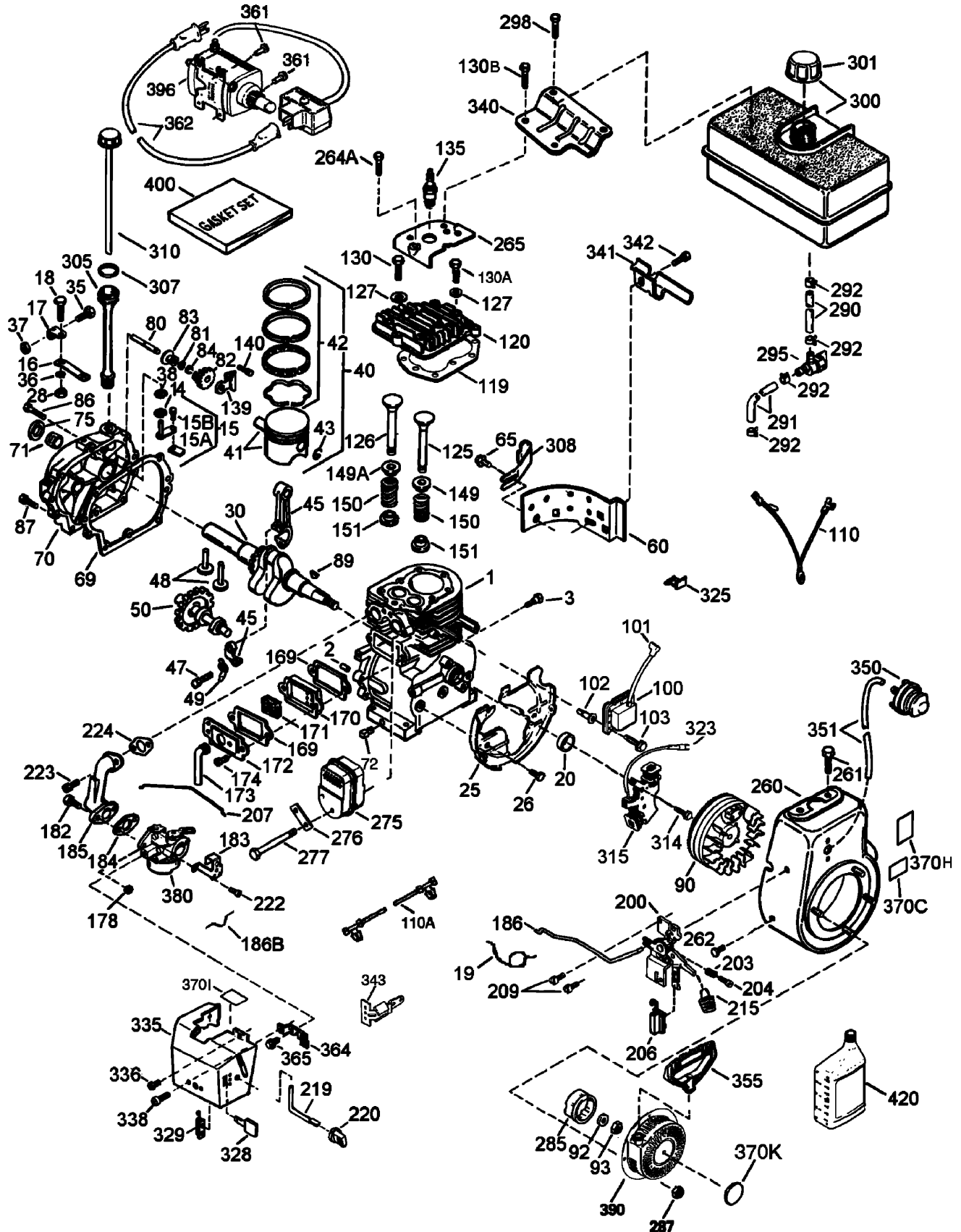
# Engine Assembly No. 1

## Tecumseh HMSK80-155672V (Model No. 38078 only)

Ref	Part No.	Qty.	Description	Ref	Part No.	Qty.	Description
41	35385	1	Cylinder ASM (Includes 2, 20, 72)	490	611093	1	Flywheel ASM
42	27652	2	Pin-Dowel	492	650880	1	Washer-Belleville
43	650820	2	Screw (1/4-20X1/2)	493	650881	1	Nut-Flywheel
414	28277	1	Washer-Flat	4100	35135	1	Solid State ASM
415	30699C	1	Rod-Governor (Includes 15A, 15B)	4101	610118	1	Cover-Spark Plug
415A	30700	1	Yoke-Governor	4102	651024	2	Stud-Mounting, Solid State
415B	650494	1	Screw (6-40X5/16)	4103	651007	2	Screw (T-15, 10-24 X 15/16)
416	33454	1	Lever-Governor	4110	35187	1	Wire-Ground
417	29916	1	Clamp-Lever, Governor	4110A	37047	1	Wire-Ground (10.50 With Male And Female Flag Terminals)
418	651028	1	Screw (T-15, 8-32X7/16)	4119	36448	1	Gasket-Head, Cylinder
419	34663	1	Spring-Throttle	4120	36449	1	Head-Cylinder
420	35319	1	Seal-Oil	4125	27878A	1	Valve-Exhaust (STD) (Includes 151)
425	36460	1	Baffle-Housing, Blower	4125	27880A	1	Valve-Exhaust (1/32 O S) (Includes 151)
426	650561	2	Screw (1/4-20X19/32)	4126	34035	1	Valve-Intake (STD)
428	30322	1	Nut-Lock (8-32)	4126	34036	1	Valve-Intake (.03 O S)
430	35571A	1	Crankshaft	4127	650691	2	Washer
435	29826	1	Screw (10-32X3/4)	4130	6021A	7	Screw (5/16-18X1-1/2)
436	29918	1	Washer-Lock (8)	4130A	650727	2	Screw (5/16-18X1-25/32)
437	29216	1	Nut-Lock (10-32)	4130B	651055	2	Screw (5/16-18X39/64)
438	29642	1	Ring-Retaining	4135	35395	1	Spark Plug-Resistor (R J19 L M)
440	40011	1	Piston-Pin And Ring Set (STD)	4139	33369	1	Bracket-Gear, Governor
440	40012	1	Piston- Pin And Ring Set (.010 O S)	4140	650836	2	Screw (10-24X1/2)
441	40009	1	Piston And Pin ASM (STD) (Includes 43)	4149	27882	1	Cap-Spring, Valve
441	40010	1	Piston And Pin ASM (.010 O S) (Includes 43)	4149A	35862	1	Cap-Spring, Valve
442	40013	1	Ring Set (STD)	4150	27881	2	Spring-Valve
442	40014	1	Ring Set (.010 O S)	4151	32581	2	Keeper-Spring, Valve
443	27888	2	Ring-Retaining, Piston Pin				
445	36897	1	Connecting Rod ASM (Includes 47, 49)				
447	651033	2	Bolt-Rod, Connecting				
448	34034	2	Lifter-Valve				
449	36896	1	Dipper-Oil				
450	35375	1	Camshaft (Mcr)				
460	33273A	1	Extension-Housing, Blower				
465	650128	1	Screw (10-24X1/2)				
4569	35262A	1	Gasket-Cover, Cylinder				
470	35376	1	Cover-Cylinder (Includes 71, 75, 80)				
471	35377	1	Bushing-Crankshaft				
472	27642	1	Plug-Drain, Oil (SQH 1/4-18)				
475	35319	1	Seal-Oil				
480	31845	1	Shaft-Governor				
481	30590A	1	Washer				
482	35378	1	Governor Gear ASM (Includes 81)				
483	30588A	1	Spool-Governor				
484	29193	1	Ring-Retaining				
486	650833	7	Screw (1/4-20X1-3/16)				
487	650832	1	Screw (1/4-20X1-11/16)				
489	32589	1	Key-Flywheel				

# Engine Assembly No. 2

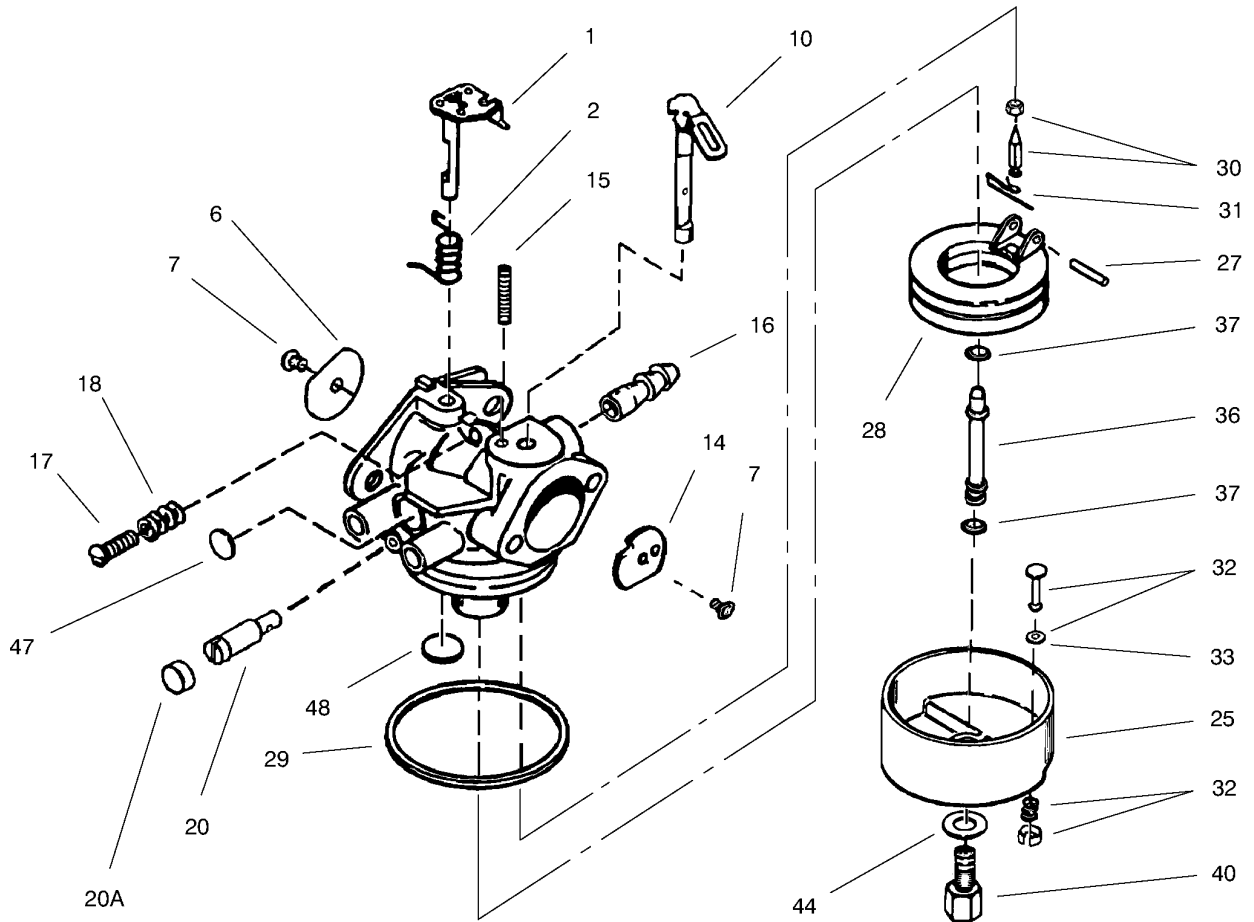
## Tecumseh HMSK80-155672V (Model No. 38078 only)



## Engine Assembly No. 2

### Tecumseh HMSK80-155672V (Model No. 38078 only)

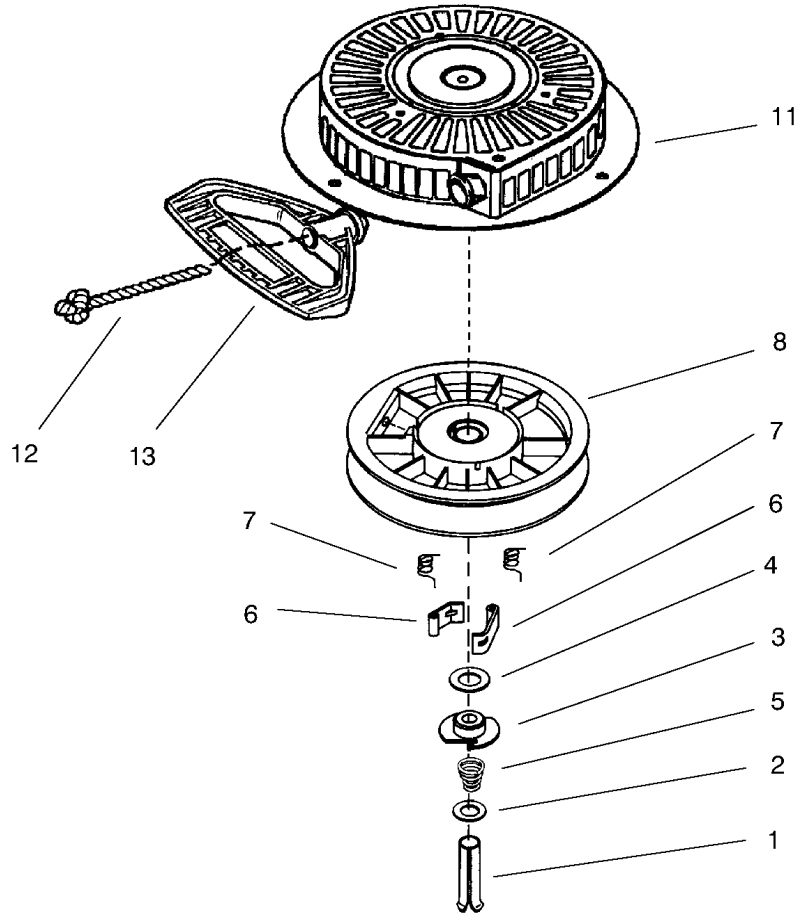
Ref	Part No.	Qty.	Description	Ref	Part No.	Qty.	Description
4 5169	27896A	2	Gasket-Cover, Valve	4328	35062	2	Key, Ignition
4170	28423	1	Body-Breather	4329	610973	1	Terminal
4171	28424	1	Element-Breather	4335	35057A	1	Cover-Carburetor
4172	28425	1	Cover-Valve	4336	650765	1	Screw (10-32X1/2)
4173	35350	1	Tube-Breather	4338	28942	2	Screw (10-32 X 3/8)
4174	650128	2	Screw (10-24X1/2)	4340	34154	1	Bracket-Tank, Fuel (Black)
4178	29752	2	Nut And Lock Washer (1/4-28)	4341	34155	1	Bracket-Tank, Fuel
4182	30088A	2	Screw (1/4-28X1)	4342	650561	1	Screw (1/4-20X19/32)
4183	34587A	1	Bracket-Choke	4343	35079	1	Bracket-Switch, Key
4 5184	33263	1	Gasket-Carburetor To Intake Pipe	4350	570682A	1	Primer ASM
4185	33877	1	Pipe-Intake	4351	32180C	1	Line-Primer
4186	34667	1	Link-Governor	4355	590574	1	Handle-Starter, Mitten Grip
4186B	36652	1	Spring-Choke	4361	650990	2	Screw (T-30, 1/4-20X15/32)
4200	34677	1	Bracket-Control (Includes 19, 203, 204, 206)	4362	32450B	1	Cord-Extension (10-6)
4203	31342	1	Spring-Compression	4364	33377	1	Bracket-Carburetor
4204	651029	1	Screw (T-10, 5-40X7/16)	4365	650767	2	Screw (8-32X27/64)
4206	610973	1	Terminal	4370C	36501	1	Decal-Primer-International Symbol
4207	33878	1	Link-Throttle	4370H	35077	1	Decal-Speed Control And Choke
4209	650821	2	Screw (10-32 X 1/2)	4370I	37119	1	Decal-Warning (Bilingual)
4215	35440	1	Knob-Control	4370K	36695	1	Decal-Tecumseh Logo For Top Of Recoil Starter
4219	34586	1	Rod-Choke	4380	640052	1	Carburetor ASM
4220	35438	1	Knob-Control	4390	590749	1	Starter-Rewind
4222	28820	2	Screw (10-32 X 1/2)	4396	33329E	1	Starter-Electric (110 Volt)
4223	650378	2	Screw (T-30, 5/16-18X1-3/32)	4400	36450A	1	Gasket Set
4 5224	27915A	1	Gasket-Pipe, Intake	4420	730226A	1	Oil-Engine, Sae 5W30
4260	35447A	1	Housing-Blower				
4261	650788	2	Screw (5/16-18X3/4)				
4262	29747B	2	Screw				
4264A	650802	1	Screw (1/2-20X5/8)				
4265	33272B	1	Cover-Cylinder Head				
4275	35056	1	Muffler				
4276	31588	1	Plate-Locking				
4277	651002	2	Screw (5/16-18X4-3/16)				
4285	35985B	1	Cup-Starter				
4287	29752	4	Nut And Lock Washer (1/4-28)				
4290	29774	1	Line-Fuel (8.62)				
4291	30705	1	Line-Fuel				
4292	26460	4	Clamp-Line, Fuel				
4295	35857	1	Valve-Shut Off, Fuel				
4298	650665	2	Screw (1/4-15X7/8)				
4300	34156A	1	Tank-Fuel (Includes 292, 301)				
4301	36246	1	Cap-Fuel				
4305	35554	1	Tube-Fill, Oil				
4307	35499	1	O-Ring				
4308	35440	1	Knob-Control				
4310	36205	1	Gauge Oil ASM				
4314	650873	1	Screw (1/4-20 X 3/4)				
4315	611111	1	Coil-Alternator, 18 Watt (Includes 323)				
4323	611118	1	Terminal				
4325	29443	1	Clip-Wire				



## Carburetor No. 640052 Tecumseh HMSK80-155672V (Model No. 38078 Only)

Ref	Part No.	Qty.	Description
①	631776A	1	Throttle Shaft And Lever ASM
②	631970	1	Spring-Return, Throttle
③	631778	1	Shutter-Throttle
④	650506	2	Screw-Shutter
⑤	632112	1	Choke Shaft And Lever ASM
⑥	632174	1	Shutter-Choke
⑦	630735	1	Spring-Positioning, Choke
⑧	632164	1	Fitting-Fuel
⑨	650417	1	Throttle Crack Screw / Idle Speed Screw
⑩	630766	1	Spring-Tension
⑪	640016	1	Screw-Restrictor, Idle
⑫	640053	1	Cap-Screw, Idle Restrictor
⑬	631951	1	Float Bowl Assembly (Incl. Ref. #32 & 33)
⑭	631024	1	Shaft-Float
⑮	632019	1	Float
⑯	631028	1	O-Ring-Bowl, Float
⑰	631021	1	Inlet Needle, Seat & Clip ASM (Incl. Ref. #31)
⑱	631022	1	Clip-Spring
⑲	27136A	1	Drain Assembly (Incl. Ref. #33)
⑳	27554	1	Gasket-Plunger, Drain
㉑	640005	1	Tube-Nozzle, Main
㉒	632547	2	O-Ring-Nozzle Tube, Main

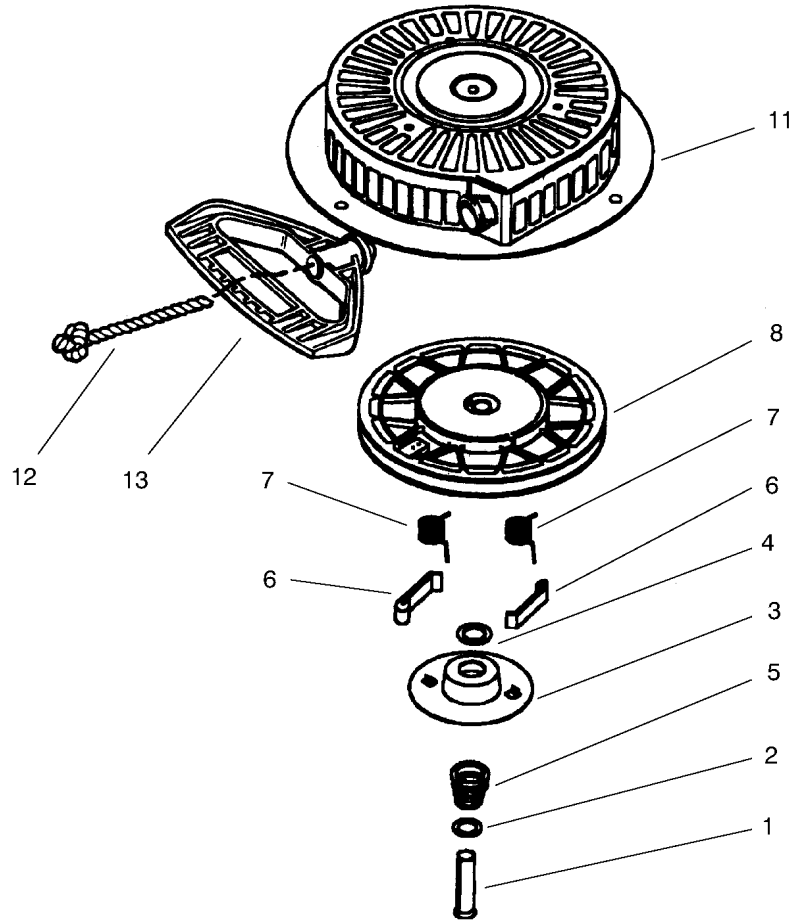
Ref	Part No.	Qty.	Description
⑳	640055	1	Nut-High Speed, Bowl
㉑	27110	1	Washer-Bowl Nut
㉒	630748	1	Plug-Welch, Idle Mixture Well
㉓	631027	1	Plug-Welch, Atmospheric Vent
㉔	632760	1	Repair Kit



## Recoil Starter No. 590749 Tecumseh HMSK80-155672V (Model No. 38078 Only)

Ref	Part No.	Qty.	Description
①	590599A	1	Spring Pin (Incl. Ref.#4)
②	590600	1	Washer
③	590679	1	Retainer
④	590601	1	Washer
⑤	590678	1	Spring-Brake
⑥	590680	2	Dog-Starter
⑦	590412	2	Spring-Dog
⑧	590682	1	Pulley And Rewind Spring ASM
⑪	590750	1	Starter Housing ASM
⑫	590535	1	98 Starter Rope (Cut To Length)
⑬	590574	1	Handle-Starter, Mitten Grip

--	--	--	--

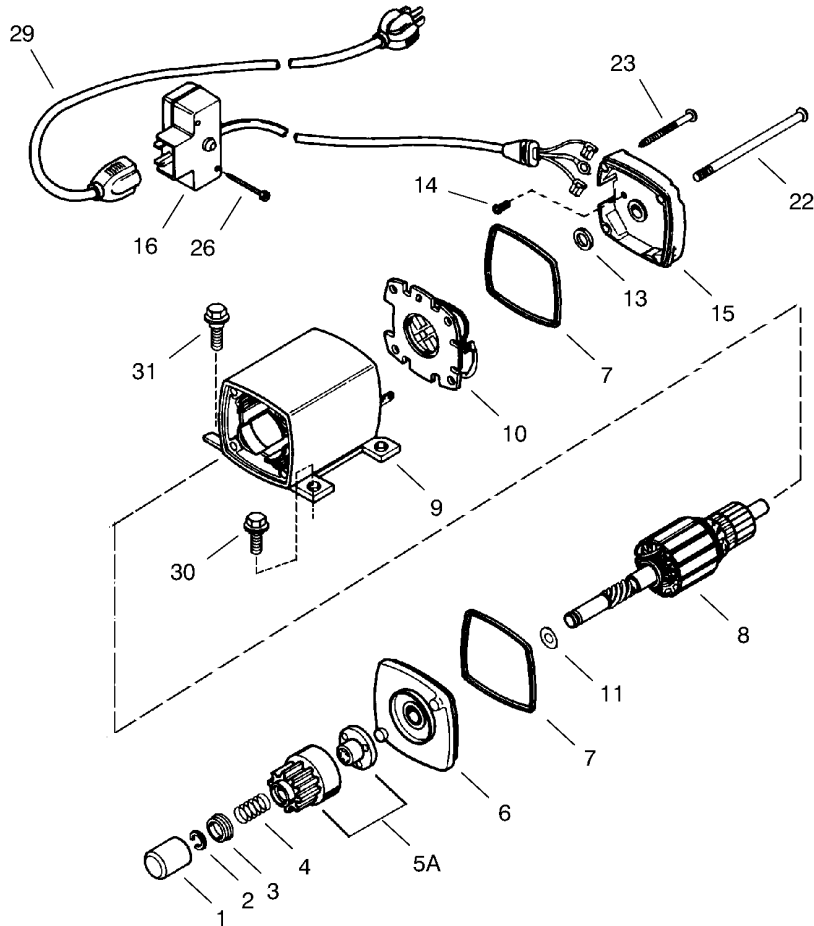


### Recoil Starter No. 590733 Tecumseh HMSK80-155672V (Model No. 38078 Only)

Ref	Part No.	Qty.	Description
①	590599A	1	Spring Pin (Incl. Ref.# 4)
②	590600	1	Washer
③	590696	1	Retainer
④	590601	1	Washer
⑤	590697	1	Spring-Brake
⑥	590698	2	Dog-Starter
⑦	590699	2	Spring-Dog
⑧	590709	1	Pulley And Rewind Spring ASM
⑪	590734	1	Starter Housing ASM
⑫	590535	1	98 Starter Rope (Cut To Length)
⑬	590574	1	Handle-Starter, Mitten Grip

--	--	--	--



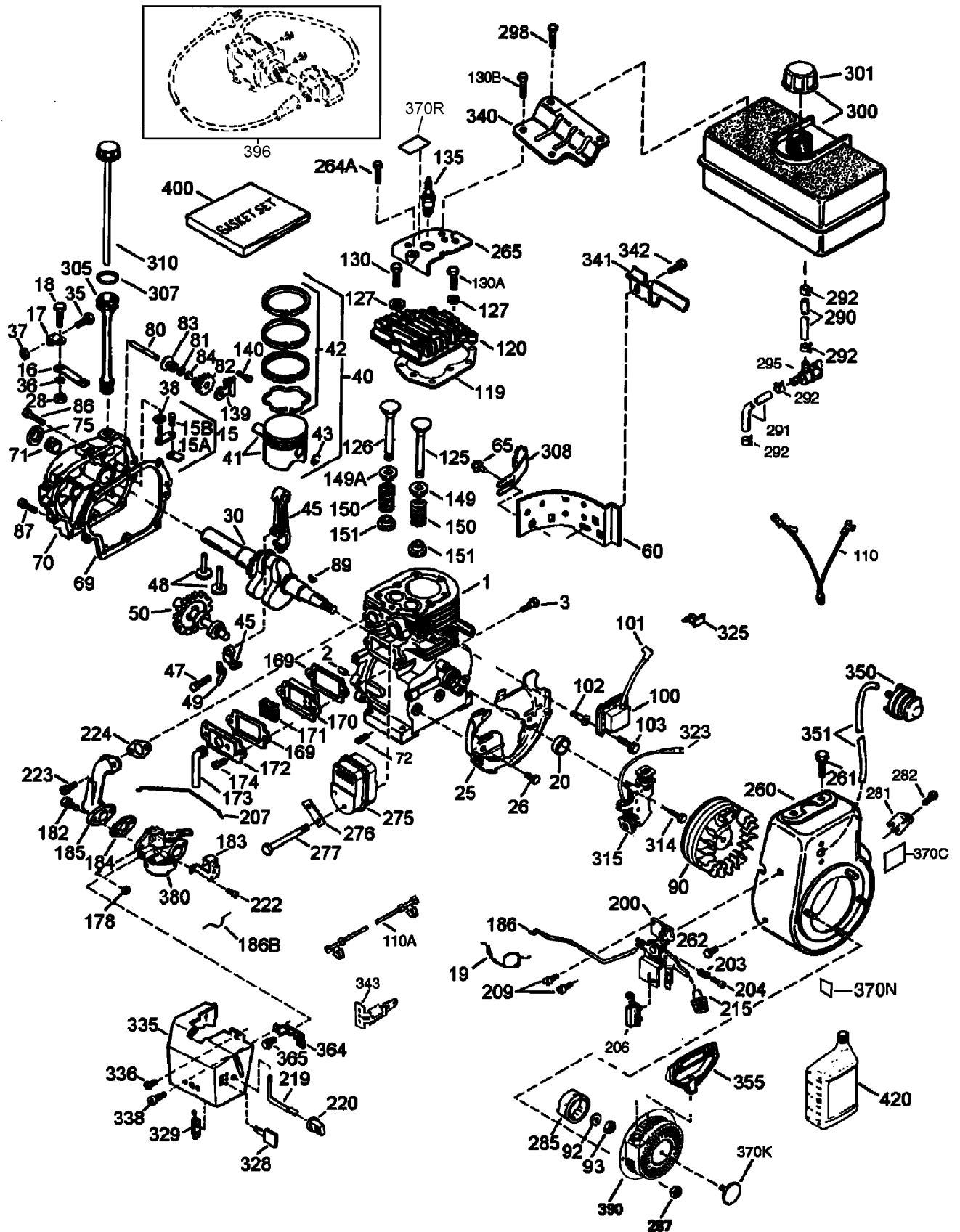


## Electric Starter No. 33329e (110 Volt) Tecumseh HMSK80-155672V (Model No. 38078 Only)

Ref	Part No.	Qty.	Description
④1	33451	1	Cover-Dust
④2	33842	1	Ring-Retainer
④3	33430	1	Retainer-Spring
④4	33431	1	Spring-Anti Drift
④5A	37050	1	Gear & Nut (Incl. Ref.# 2)
④6	35449	1	Drive End Cap ASM (Incl. Ref.#7)
④7	35450	2	O-Ring
④8	35915	1	Armature
④9	35451A	1	Housing ASM
④10	35452A	1	Brush Card ASM
④11	35911	1	Washer-Thrust
④13	590500	1	Washer-Thrust
④14	33441	1	Screw-Ground
④15	35453	1	Commutator End Cap ASM (Incl. Ref.# 7)
④16	35454	1	Switch Box ASM
④22	35455	2	Bolt-Case
④23	35456	1	Screw-Ground
④26	650819	2	Screw (6-32X2-1/2)
④26	651032	2	Screw (12-16 X 5/8)
④29	32450B	1	Cord-Extension (10-6)
④30	30063	2	Screw (T-30 1/4-20X1/2)
④31	650820	2	Screw (1/4-20X1/2)


# Engine Assembly No. 1

## Tecumseh HMSK80-155645V (Model No. 38053 only)



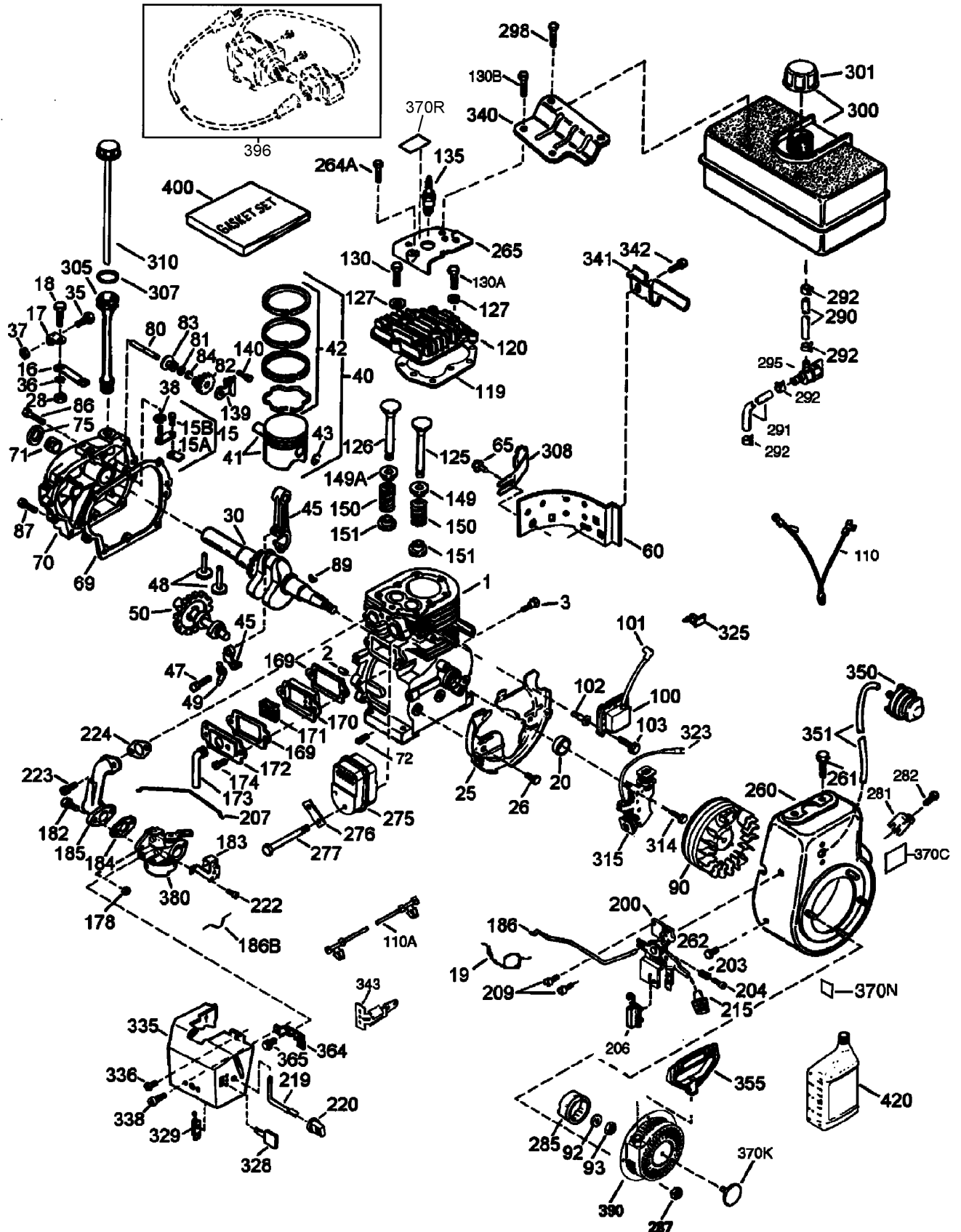
# Engine Assembly No. 1

## Tecumseh HMSK80-155645V (Model No. 38053 only)

Ref	Part No.	Qty.	Description	Ref	Part No.	Qty.	Description
41	35385	1	Cylinder ASM (Includes 2, 20, 72)	492	650880	1	Washer-Belleville
42	27652	2	Pin-Dowel	493	650881	1	Nut-Flywheel
43	650820	2	Screw (1/4-20X1/2)	4100	35135	1	Solid State ASM
415	30699C	1	Rod-Governor (Includes 15A, 15B)	4101	610118	1	Cover-Spark Plug
415A	30700	1	Yoke-Governor	4102	651024	2	Stud-Mounting, Solid State
415B	650494	1	Screw (6-40X5/16)	4103	651007	2	Screw (T-15, 10-24 X 15/16)
416	33454	1	Lever-Governor	4110	35187	1	Wire-Ground
417	29916	1	Clamp-Lever, Governor	4110A	37047	1	Wire-Ground (10.50 With Male And Female Flag Terminals)
418	651028	1	Screw (T-15, 8-32X7/16)	45119	36448	1	Gasket-Head, Cylinder
419	34663	1	Spring-Throttle	4120	36449	1	Head-Cylinder
420	35319	1	Seal-Oil	4125	27878A	1	Valve-Exhaust (STD) (Includes 151)
425	36460	1	Baffle-Housing, Blower	4125	27880A	1	Valve-Exhaust (1/32 O S) (Includes 151)
426	650561	2	Screw (1/4-20X19/32)	4126	34035	1	Valve-Intake (STD) (Includes 151)
428	30322	1	Nut-Lock (8-32)	4126	34036	1	Valve-Intake (.03 O S)
430	35571A	1	Crankshaft	4127	650691	2	Washer
435	29826	1	Screw (10-32X3/4)	4130	6021A	7	Screw (5/16-18X1-1/2)
436	29918	1	Washer-Lock (8)	4130A	650727	2	Screw (5/16-18X1-25/32)
437	29216	1	Nut-Lock (10-32)	4130B	651055	2	Screw (5/16-18X39/64)
438	29642	1	Ring-Retaining	4135	35395	1	Spark Plug-Resistor (R J19 L M)
440	40011	1	Piston-Pin And Ring Set (STD)	4139	33369	1	Bracket-Gear, Governor
440	40012	1	Piston- Pin And Ring Set (.010 O S)	4140	650836	2	Screw (10-24X1/2)
441	40009	1	Piston And Pin ASM (STD)(Includes 43)	4149	27882	1	Cap-Spring, Valve
441	40010	1	Piston And Pin ASM (.010 O S) (Includes 43)	4149A	35862	1	Cap-Spring, Valve
442	40013	1	Ring Set (STD)	4150	27881	2	Spring-Valve
442	40014	1	Ring Set (.010 O S)	4151	32581	2	Keeper-Spring, Valve
443	27888	2	Ring-Retaining, Piston Pin	45169	27896A	2	Gasket-Cover, Valve
445	36897	1	Connecting Rod ASM (Includes 47, 49)				
447	651033	2	Bolt-Rod, Connecting				
448	34034	2	Lifter-Valve				
449	36896	1	Dipper-Oil				
450	35375	1	Camshaft (Mcr)				
460	33273A	1	Extension-Housing, Blower				
465	650128	1	Screw (10-24X1/2)				
4569	35262A	1	Gasket-Cover, Cylinder				
470	35376	1	Cover-Cylinder (Includes 71, 75, 80)				
471	35377	1	Bushing-Crankshaft				
472	27642	1	Plug-Drain, Oil (SQH 1/4-18)				
475	35319	1	Seal-Oil				
480	31845	1	Shaft-Governor				
481	30590A	1	Washer				
482	35378	1	Governor Gear ASM (Includes 81)				
483	30588A	1	Spool-Governor				
484	29193	1	Ring-Retaining				
486	650833	7	Screw (1/4-20X1-3/16)				
487	650832	1	Screw (1/4-20X1-11/16)				
489	32589	1	Key-Flywheel				
490	611093	1	Flywheel ASM				

# Engine Assembly No. 2

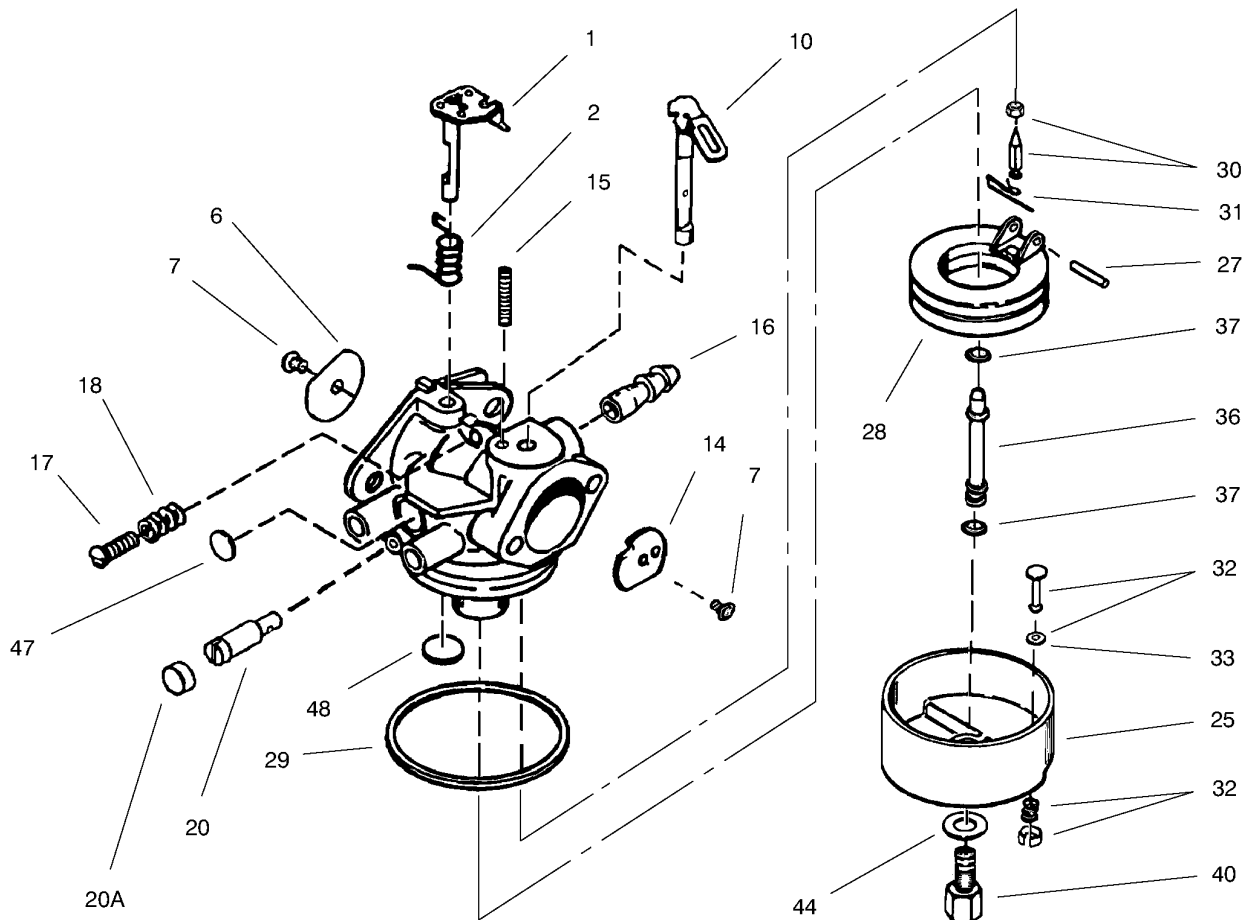
## Tecumseh HMSK80-155645V (Model No. 38053 only)



## Engine Assembly No. 2

### Tecumseh HMSK80-155645V (Model No. 38053 only)

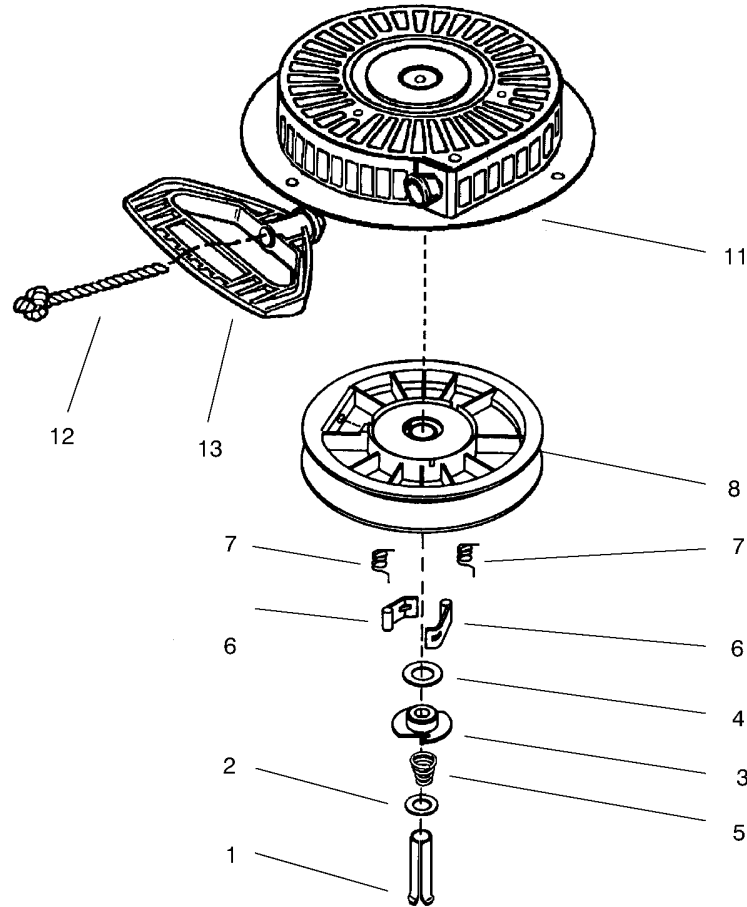
Ref	Part No.	Qty.	Description	Ref	Part No.	Qty.	Description
4170	28423	1	Body-Breather	4325	29443	1	Clip-Wire
4171	28424	1	Element-Breather	4328	35062	2	Key, Ignition
4172	28425	1	Cover-Valve	4329	610973	1	Terminal
4173	35350	1	Tube-Breather	4335	35057A	1	Cover-Carburetor
4174	650128	2	Screw (10-24X1/2)	4336	650765	1	Screw (10-32X1/2)
4178	29752	2	Nut And Lock Washer (1/4-28)	4338	28942	2	Screw (10-32 X 3/8)
4182	30088A	2	Screw (1/4-28X1)	4340	34154	1	Bracket-Tank, Fuel (Black)
4183	34587A	1	Bracket-Choke	4341	34155	1	Bracket-Tank, Fuel
45184	33263	1	Gasket-Carburetor To Intake Pipe	4342	650561	1	Screw (1/4-20X19/32)
4185	33877	1	Pipe-Intake	4343	35079	1	Bracket-Switch, Key
4186	34667	1	Link-Governor	4350	570682A	1	Primer ASM
4186B	36652	1	Spring-Choke	4351	32180C	1	Line-Primer
4200	34677	1	Bracket-Control (Includes 19, 203, 204, 206)	4355	590574	1	Handle-Starter, Mitten Grip
4203	31342	1	Spring-Compression	4364	33377	1	Bracket-Carburetor
4204	651029	1	Screw (T-10, 5-40X7/16)	4365	650767	2	Screw (8-32X27/64)
4206	610973	1	Terminal	4370C	36501	1	Decal-Primer-International Symbol
4207	33878	1	Link-Throttle	4370K	36695	1	Decal-Tecumseh Logo For Top Of Recoil Starter
4209	650821	2	Screw (10-32 X 1/2)	4370N	35077	1	Decal-Speed Control And Choke
4215	35440	1	Knob-Control	4370R	37119	1	Decal-Warning (Bilingual)
4219	34586	1	Rod-Choke	4380	640052	1	Carburetor ASM (Includes 184)
4220	35438	1	Knob-Control	4390	590749	1	Starter-Rewind
4222	28820	2	Screw (10-32 X 1/2)	4396	179-160	1	Electric Starter Motor, 230 Volt (Optional)
4223	650378	2	Screw (T-30, 5/16-18X1-3/32)	4400	36450A	1	Gasket Set
45224	27915A	1	Gasket-Pipe, Intake	4420	730226	1	Oil-Engine (Sae 5W30)
4260	35447A	1	Housing-Blower				
4261	650788	2	Screw (5/16-18X3/4)				
4262	29747B	2	Screw				
4264A	650802	1	Screw (1/2-20X5/8)				
4265	33272B	1	Cover-Cylinder Head				
4275	35056	1	Muffler				
4276	31588	1	Plate-Locking				
4277	651002	2	Screw (5/16-18X4-3/16)				
4281	33013	1	Screw				
4282	650760	1	Screw (8-32 X 3/8)				
4285	35985B	1	Cup-Starter				
4287	29752	4	Nut And Lock Washer (1/4-28)				
4290	29774	1	Line-Fuel (8.62)				
4291	30705	1	Line-Fuel				
4292	26460	4	Clamp-Line, Fuel				
4295	35857	1	Valve-Shut Off, Fuel				
4298	650665	2	Screw (1/4-15X7/8)				
4300	34156A	1	Tank-Fuel (Includes 292, 301)				
4301	36246	1	Cap-Fuel				
4305	35554	1	Tube-Fill, Oil				
4307	35499	1	O-Ring				
4308	35540	1	Clip-Tube, Fill				
4310	36205	1	Gauge Oil ASM				
4314	650873	1	Screw (1/4-20 X 3/4)				
4315	611111	1	Coil-Alternator, 18 Watt (Includes 323)				
4323	611118	1	Terminal				



## Carburetor No. 640052 Tecumseh HMSK80-155645V (Model No. 38053 Only)

Ref	Part No.	Qty.	Description
④1	631776A	1	Throttle Shaft And Lever ASM
④2	631970	1	Spring-Return, Throttle
④6	631778	1	Shutter-Throttle
④7	650506	2	Screw-Shutter
④10	632112	1	Choke Shaft And Lever ASM
④14	632174	1	Shutter-Choke
④15	630735	1	Spring-Positioning, Choke
④16	632164	1	Fitting-Fuel
④17	650417	1	Throttle Crack Screw / Idle Speed Screw
④18	630766	1	Spring-Tension
④20	640016	1	Screw-Restrictor, Idle
④20A	640053	1	Cap-Screw, Idle Restrictor
④21	640053	1	Cap-Screw, Idle Restrictor
④25	631951	1	Float Bowl Assembly (Incl. Ref. #32 & 33)
④27	631024	1	Shaft-Float
④28	632019	1	Float
④29	631028	1	O-Ring-Bowl, Float
④30	631021	1	Inlet Needle, Seat & Clip ASM (Incl. Ref. #31)
④31	631022	1	Clip-Spring
④32	27136A	1	Drain Assembly (Incl. Ref. #33)
④33	27554	1	Gasket-Plunger, Drain
④36	640005	1	Tube-Nozzle, Main

Ref	Part No.	Qty.	Description
④37	632547	2	O-Ring-Nozzle Tube, Main
④40	640055	1	Nut-High Speed, Bowl
④44	27110	1	Washer-Bowl Nut
④47	630748	1	Plug-Welch, Idle Mixture Well
④48	631027	1	Plug-Welch, Atmospheric Vent



## Recoil Starter No. 590749 Tecumseh HMSK80-155645V (Model No. 38053 Only)

Ref	Part No.	Qty.	Description
④1	590599A	1	Pin-Spring (Incl. Ref. #4)
④2	590600	1	Washer
④3	590679	1	Retainer
④4	590601	1	Washer
④5	590678	1	Spring-Brake
④6	590680	2	Dog-Starter
④7	590412	2	Spring-Dog
④8	590682	1	Pulley And Rewind Spring ASM
④11	590750	1	Starter Housing ASM
④12	590535	1	98 Starter Rope (Cut To Length)
④④13	590574	1	Handle-Starter, Mitten Grip

--	--	--	--

## Attachments and Accessories

### For 38053 - 824 Power Throw Snowthrower

Product Name	Model/Part
Drift Breaker .....	37-7021
Starter Kit 120vac .....	38039
Starter Kit 230vac .....	38041
Skid Kit .....	40-8160
Tire Chain Kit .....	56-2700
Light Kit .....	66-7941
Snow Cab .....	88-0600

## Attachments and Accessories

### For 38078 - 824 Power Throw Snowthrower

Product Name	Model/Part
Drift Breaker .....	37-7021
Starter Kit 120vac .....	38039
Skid Kit .....	40-8160
Tire Chain Kit .....	56-2700
Light Kit .....	66-7941
Snow Cab .....	88-0600



# NOTES

# NOTES

# NOTES

