



CCR™ 2450 GTS® Snowthrower

Model No. 38516 - 270010001 and up.

Parts Catalog

Ordering Replacement Parts

To order replacement parts, please supply the part number, the quantity, and the description of each part desired.

Understanding Reference Numbers

Each identified part in an illustration has a reference number. The reference number for a part also appears in the parts list, along with other information about the part.

This catalog uses two special reference number formats, one to indicate parts in a service assembly and another to indicate the quantity of a given part in an illustration.

Service Assembly Reference Numbers

Parts in service assemblies have reference numbers in the form a:b. The a represents the reference number of the entire service assembly and the b represents a sequential number unique to each part within the service assembly.

For example, a wheel assembly might be identified by reference number 6, the tire by 6:1, the valve by 6:2, and the wheel by 6:3. When you order the assembly identified by reference number 6, you receive all parts identified by reference numbers 6:1, 6:2, and 6:3. However, you may also order any part individually. Reference numbers of this type appear in illustrations and in part lists.

Reference Numbers Indicating Quantity

In an illustration, if a reference number indicates more than one part, the reference number has the form nX y. The n represents the quantity of the part, the X is the multiplication symbol, and the y represents the reference number.

For example, in an illustration, the reference number 2X 37 means that two of the parts identified by reference number 37 are indicated.

Contents

Description	Page	Description	Page
Rotor Housing and Scraper Assembly 3	Handle Assembly 10
Impeller Drive Assembly 4	Cylinder, Piston and Connecting Rod Assembly Briggs and Stratton 084133-0196-E8 11
Chute Assembly 5	Muffler, Carburetor and Intake Manifold Assembly Briggs and Stratton 084133-0196-E8 12
Rotor Assembly 6	Flywheel, Blower Housing and Starter Assembly Briggs and Stratton 084133-0196-E8 14
Engine, Gas Tank and Frame Assembly 7	Attachments and Accessories List 15
Shroud and Control Panel Assembly 8		
Upper Shroud Assembly No. 110-3400 9		

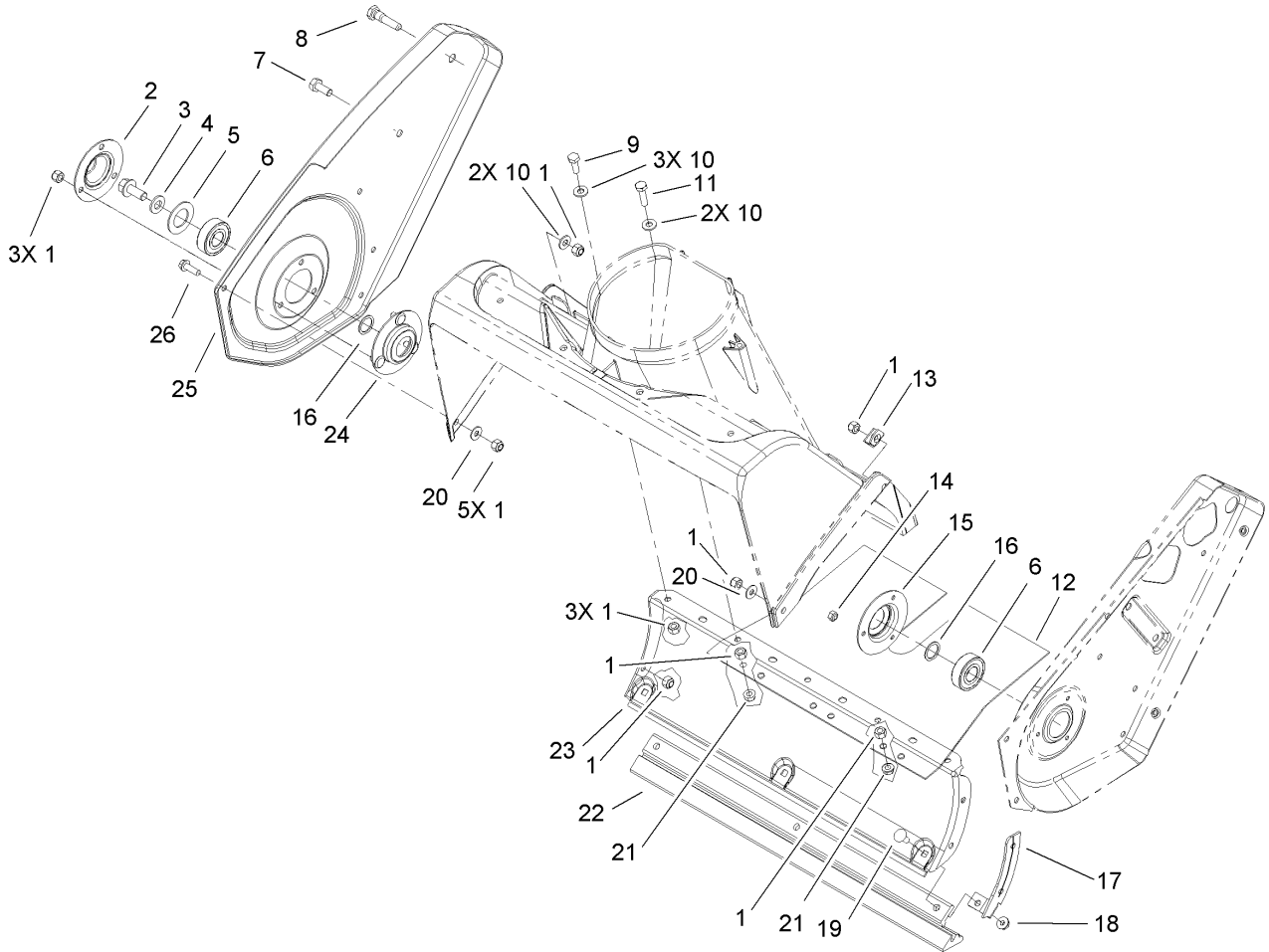
Part Description Abbreviations

Part descriptions in this catalog may include the following abbreviations.

AR. as required	HYD. hydraulic
ASM. assembly	LH. left hand
BBC. blade brake clutch	NI. nylon insert
CARR. carriage	NPTF. national pipe thread fine
DEG. degrees	PFH. phillips flat head
EXT. external	PPH. phillips pan head
FH. flat head	PPHTF. phillips pan head thread forming
GA. gauge	PRH. phillips round head
HD. heavy-duty	PTH. phillips truss head
HF. hex flange	PTO. power-take-off
HH. hex head	RH. right hand
HHF. hex head flange	ROPS. roll-over protection system
HHFTF. hex head flange thread forming	SFH. slotted fillister head
HJ. hex jam	SHH. slotted hex head
HLH. hex lag head	SHWH. slotted hex washer head
HOC. height-of-cut	SPH. slotted pan head
HSBH. hex socket button head	SQH. square head
HSFH. hex socket flat head	SRH. slotted round head
HSH. hex socket head	STD. standard
HWH. hex washer head	TAP. self tapping
HWHTF. hex washer head thread forming	TTH. torx truss head

Footnotes

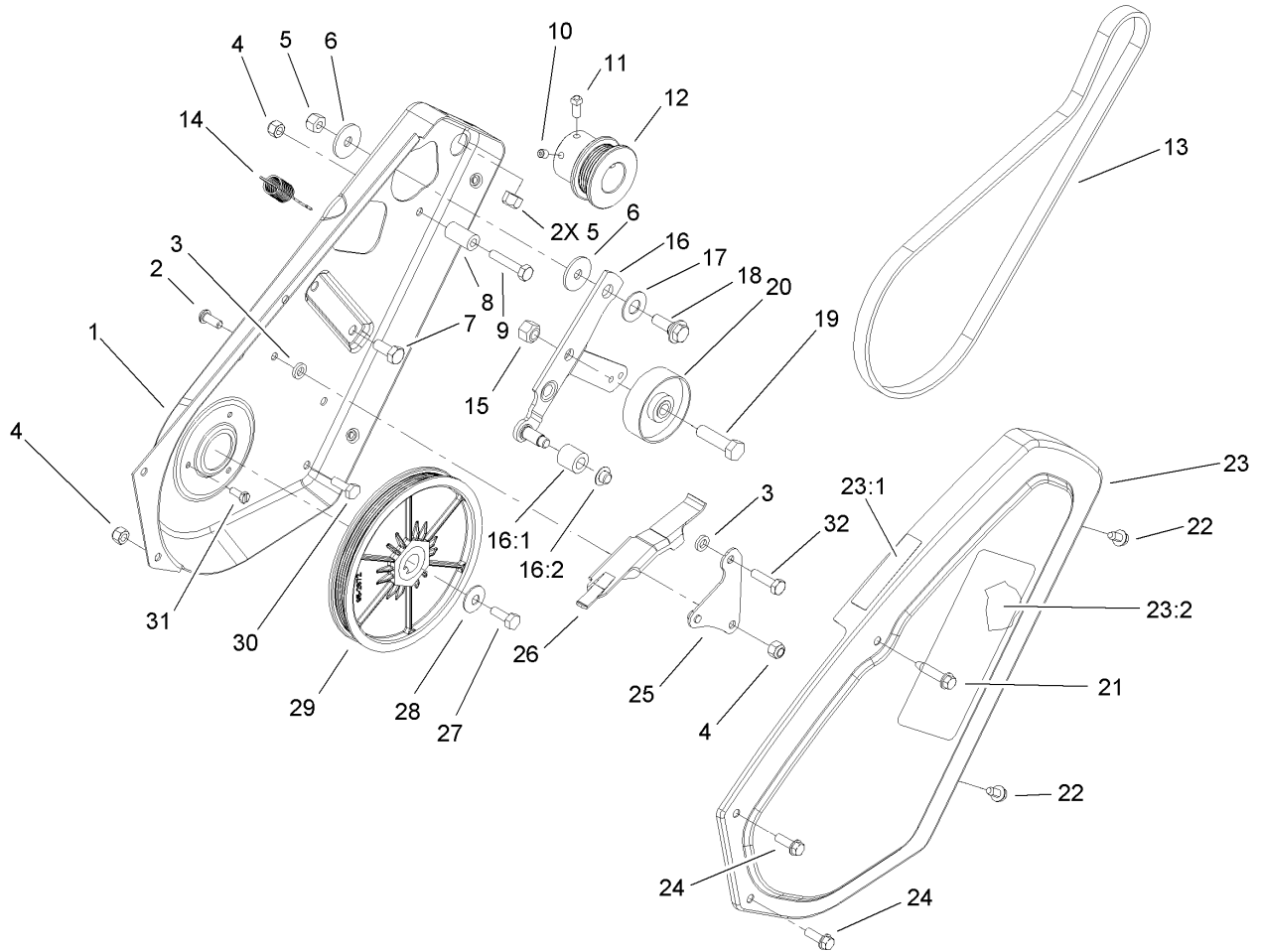
- | | |
|--|---|
| <ul style="list-style-type: none"> ❶ Not illustrated ❷ Obtain from your local Briggs & Stratton dealer ❸ Included in Carburetor Gasket Set (Ref. No. 977) | <ul style="list-style-type: none"> ❹ Not serviced separately ❺ Included in Carburetor Overhaul Kit (Ref. No. 121) |
|--|---|



Rotor Housing and Scraper Assembly

Ref	Part No.	Qty.	Description
1	3296-42	17	Nut-Lock, NI
2	52-7290-03	1	Retainer-Bearing
3	3234-25	1	Screw-HHF
4	3256-24	1	Washer-Flat
5	52-7270	1	Washer-Rubber
6	100-1048	2	Bearing-Ball
7	322-43	1	Screw-HH
8	38-8211	1	Pin-Rotor
9	321-4	3	Screw-HH
10	3256-22	7	Washer-Flat
11	321-6	2	Screw-HH
12	55-9512	1	Cover-Bottom
13	55-9430	1	Bracket-Housing
14	3296-2	3	Nut-Lock
15	38-8620	1	Flange-Bearing
16	52-7280	2	Washer-Thrust
17	56-2610	1	Bracket-Housing, Lower
18	32149-2	3	Nut-Keps
19	3229-11	3	Screw-CARR
20	3256-1	2	Washer-Flat
21	32128-10	2	Nut-Lock, HHF
22	55-8760	1	Scraper
23	105-1967-03	1	Housing-Lower
24	52-9110	1	Flange-Bearing

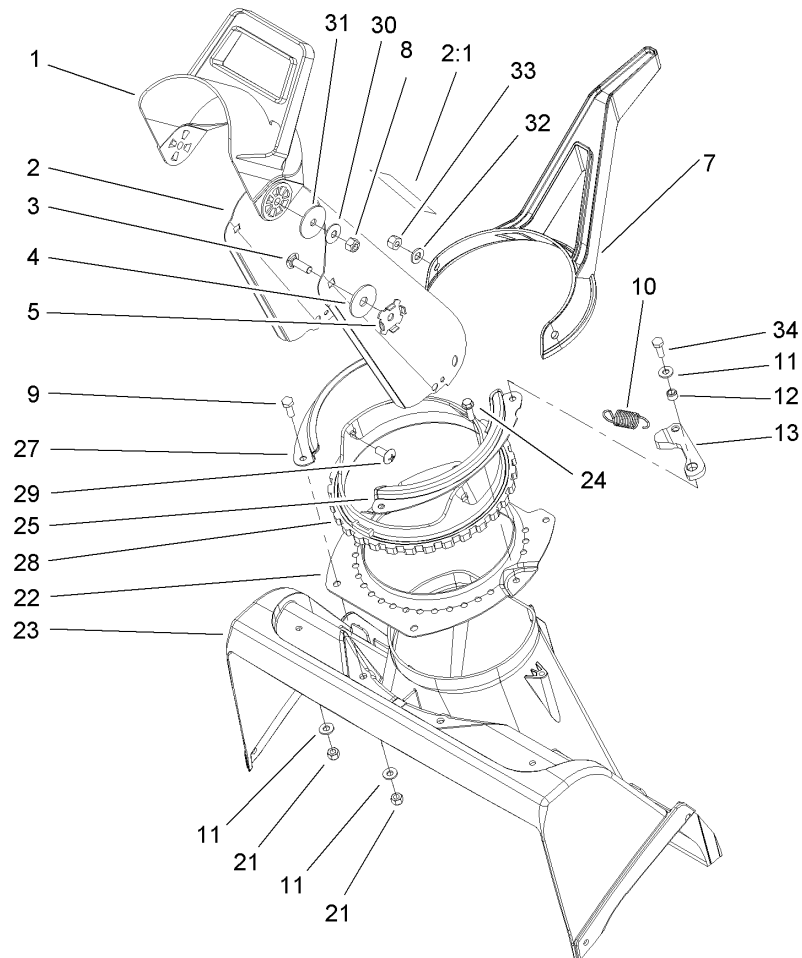
Ref	Part No.	Qty.	Description
25	105-1952-03	1	Sideplate-Right
26	32105-15	5	Screw



Impeller Drive Assembly

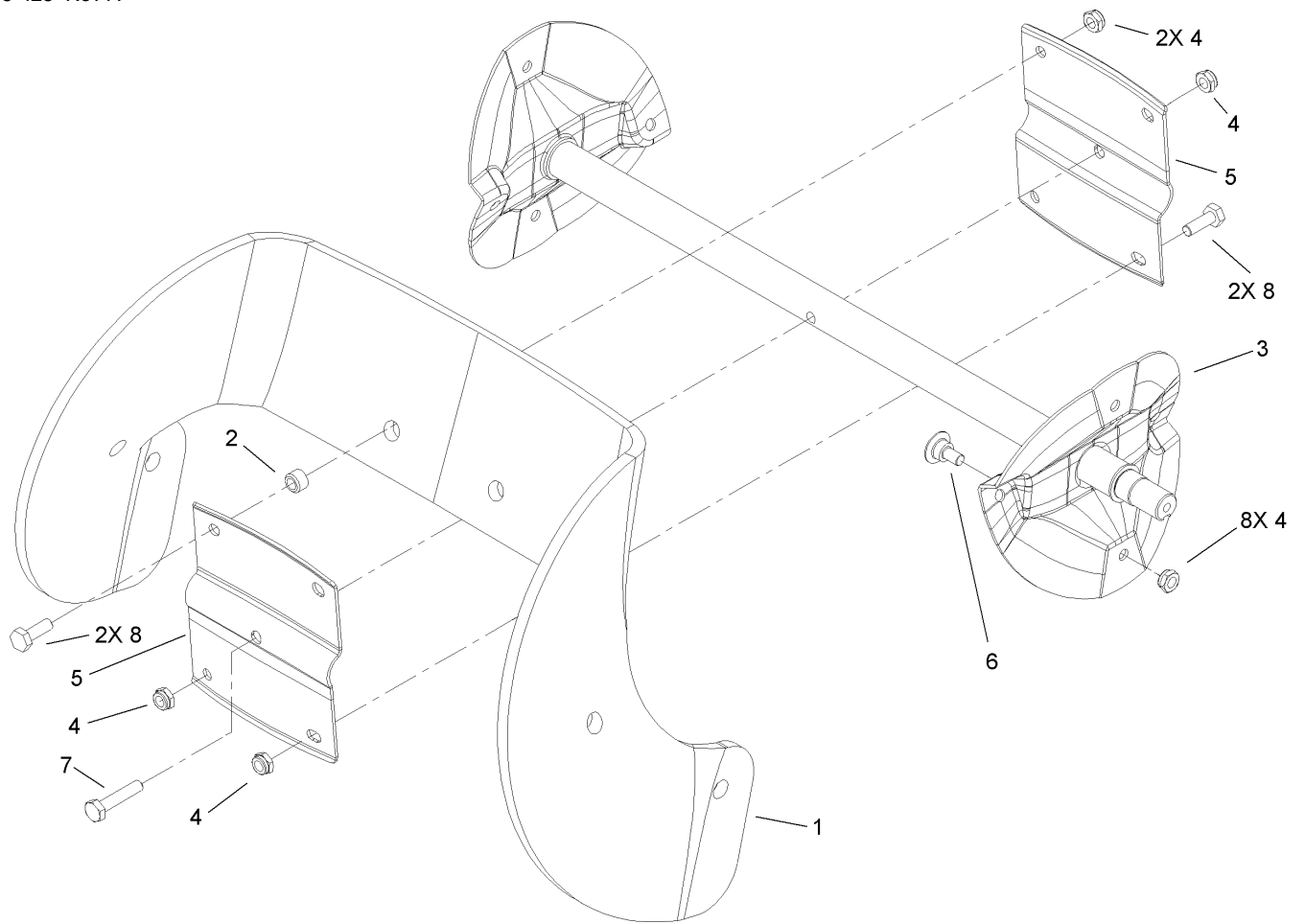
Ref	Part No.	Qty.	Description
1	55-8851-03	1	Plate-Side, LH
2	3274-31	1	Screw-HSBH
3	55-9620	2	Spacer-Plate, Pivot
4	3296-42	3	Nut-Lock, NI
5	3296-29	3	Nut-Lock, NI
6	5-4460	2	Washer-Pivot
7	322-3	2	Screw-HH
8	55-9530	1	Sleeve-Guide, Belt
9	321-13	1	Screw-HH
10	3245-32	1	Screw-HSH
11	3241-7	1	Screw-SQH
12	95-2673	1	Pulley-Engine
13	95-6151	1	Belt-Drive
14	55-9280	1	Spring-Extension
15	32152-2	1	Nut-Lock, Cone
16	105-3542	1	Idler Arm ASM
16:1	55-9520	1	Roller-Brake
16:2	32112-11	1	Nut-Push
17	25-5641	1	Washer
18	27-0410	1	Screw-Shoulder
19	323-29	1	Screw-HH
20	55-9290	1	Pulley-Idler
21	32144-110	1	Screw-HWH
22	12-3270	2	Screw

Ref	Part No.	Qty.	Description
23	105-1997	1	Cover-Drive
23:1	104-2767	1	Decal-Warning
23:2	60-9480	1	Decal
24	32105-15	2	Screw
25	55-9570	1	Pivot Plate ASM
26	55-9550	1	Brake-Arm
27	321-30	1	Screw-HH
28	3290-456	1	Washer-Belleville
29	95-2672	1	Pulley Rotor ASM
30	321-4	2	Screw-HH
31	32105-8	3	Screw-SHH
32	321-6	1	Screw-HH



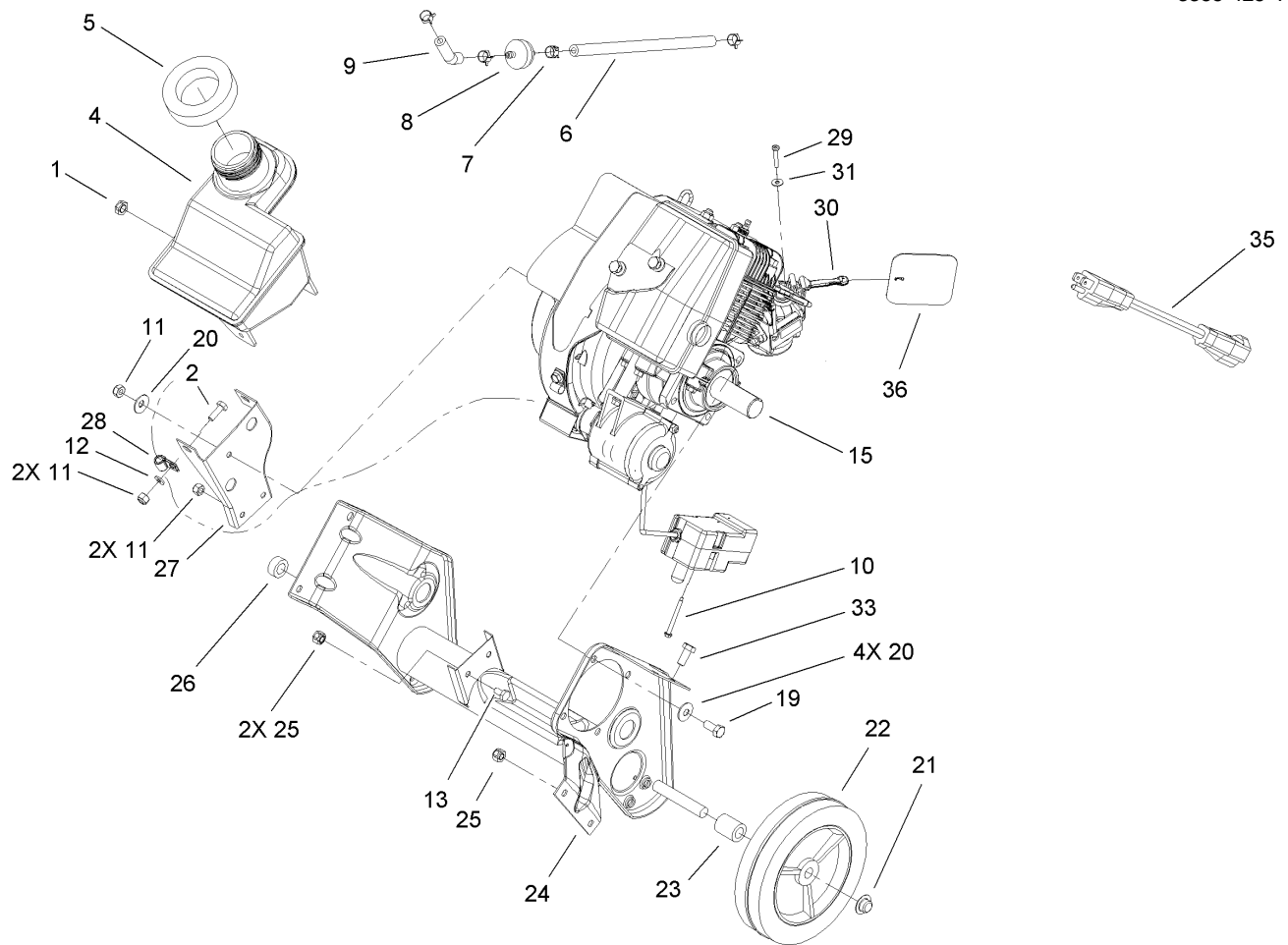
Chute Assembly

Ref	Part No.	Qty.	Description	Ref	Part No.	Qty.	Description
1	56-2680	1	Chute-Deflector	33	3296-47	3	Nut-Lock, NI
2	104-4115	1	Chute ASM	34	321-6	1	Screw-HH
2:1	104-4135	1	Decal-Danger				
3	3230-22	2	Screw-CARR				
4	20-4320	2	Washer-Rubber				
5	55-8950	2	Plate-Friction				
7	94-9914	1	Handle-Control, Chute				
8	3296-29	2	Nut-Lock, NI				
9	321-4	3	Screw-HH				
10	80-4600	1	Spring-Extension				
11	3256-22	5	Washer-Flat				
12	55-9370	1	Spacer-Blade, Rotor				
13	80-4610	1	Detent				
21	3296-42	6	Nut-Lock, NI				
22	55-8921-03	1	Ring-Support, Chute				
23	105-1950	1	Housing-Rotor, Upper				
24	46-8091	2	Screw-HWH				
25	71-4980-03	1	Retainer-Chute, LH				
27	71-4990-03	1	Retainer-Chute, RH				
28	104-2763	1	Ring-Chute				
29	100-5487	3	Screw-PTH				
30	3290-456	2	Washer-Belleville				
31	3256-68	2	Washer-Flat				
32	3256-70	3	Washer-Flat				



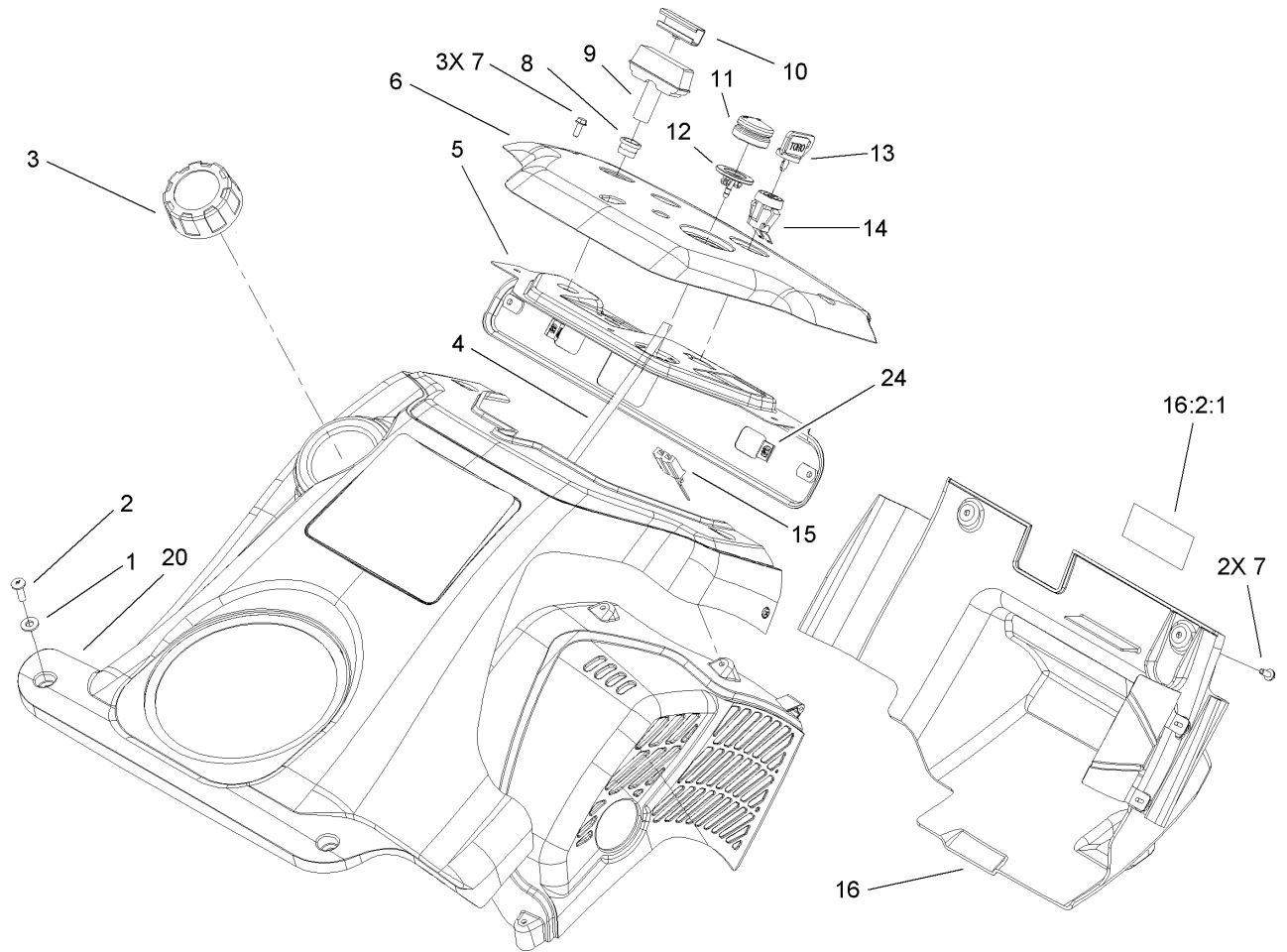
Rotor Assembly

Ref	Part No.	Qty.	Description
1	99-9313	2	Blade-Rotor
2	55-9370	4	Spacer-Blade, Rotor
3	100-5478-03	1	Rotor ASM
4	3296-56	13	Nut-Lock, NI
5	66-6600-03	2	Half-Rotor
6	84-1971	8	Screw
7	321-8	1	Screw-HH
8	321-4	4	Screw-HH



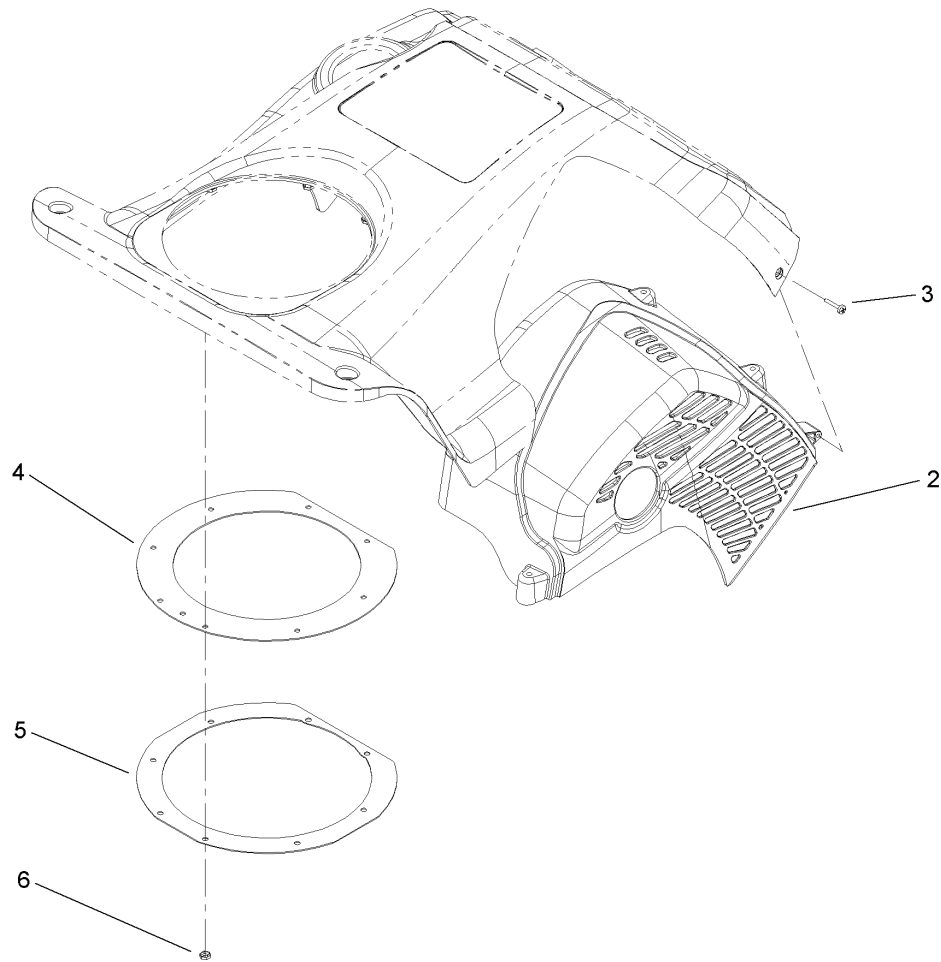
Engine, Gas Tank and Frame Assembly

Ref	Part No.	Qty.	Description	Ref	Part No.	Qty.	Description
1	32152-8	1	Nut-Lock, Cone	29	32144-97	1	Screw-PPH, Plastite
2	321-4	2	Screw-HH	30	104-0878	1	Lever-Choke
4	105-8952	1	Tank-Gas	31	3256-14	1	Washer-Flat
5	55-9310	1	Seal-Foam	33	322-43	2	Screw-HH
6	110-4894	1	Hose-Fuel	35	99-9300	1	Cord-Extension
7	2412-98	4	Clamp	36	110-3444	1	Shield-Choke Hole
8	56-6360	1	Filter-Fuel				
9	109-0304	1	Hose-Fuel				
10	32144-27	3	Screw-Plastite				
11	3296-42	5	Nut-Lock, NI				
12	3256-22	2	Washer-Flat				
13	321-2	2	Screw-HH				
15		1	Engine-Briggs And Stratton, 084133-0196-E8				
19	322-3	4	Screw-HH				
20	3290-456	5	Washer-Belleville				
21	32112-14	2	Nut-Push				
22	66-6510	2	Wheel				
23	66-6501	1	Spacer-Wheel				
24	105-1965-03	1	Frame				
25	3296-29	3	Nut-Lock, NI				
26	66-6500	1	Spacer-Wheel				
27	105-1968-03	1	Bracket-Support, Recoil				
28	2412-91	1	Clamp				



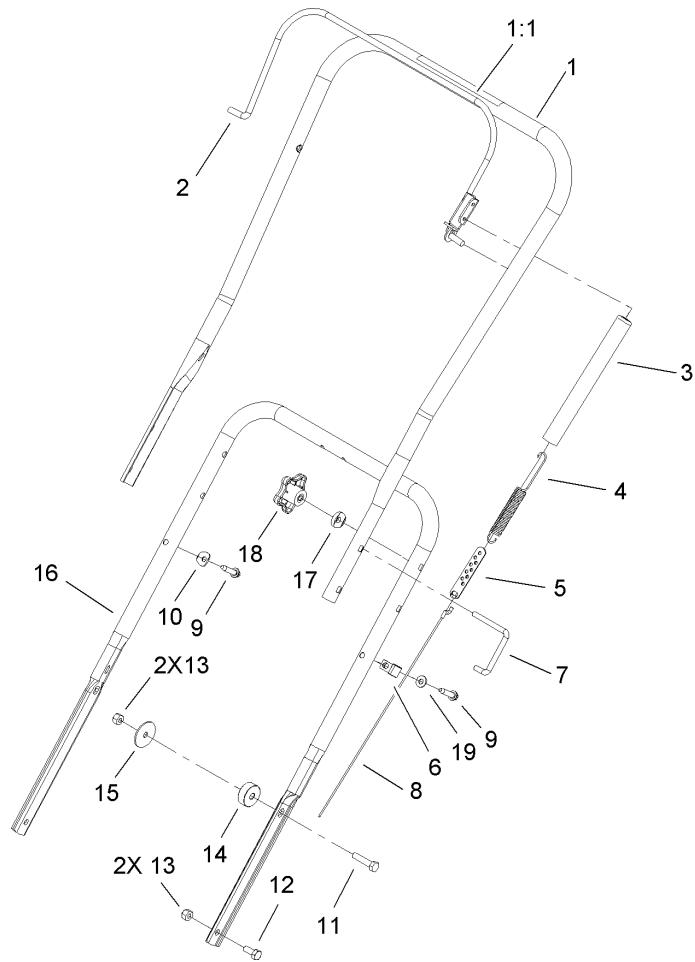
Shroud and Control Panel Assembly

Ref	Part No.	Qty.	Description
1	3256-22	2	Washer-Flat
2	3250-32	2	Screw-PPH
3	104-4133	1	Gas Cap ASM
4	98-1372	1	Hose-Primer
5	105-1999-03	1	Panel-Support, Control
6	105-3523	1	Panel-Control
7	32144-112	5	Screw-HWH
8	55-9410	1	Guide-Rope, Starter
9	612825	1	Handle-Start
10	612824	1	Clip-Starter
11	66-7460	1	Bulb-Primer
12	44-2750	1	Body-Primer
13	63-8360	1	Key-Ignition
14	40-5940	1	Switch
15	218-532	1	Connector-Body
16	108-7339	1	Lower Shroud And Baffle ASM
16:2		1	Shroud-Lower
16:2:1	61-4790	1	Decal
20	110-3400	1	Upper Shroud ASM
24	100-9889	2	Nut-Speed



Upper Shroud Assembly No. 110-3400

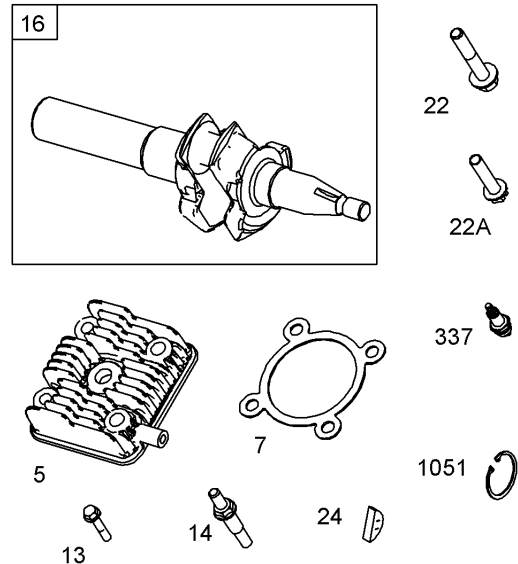
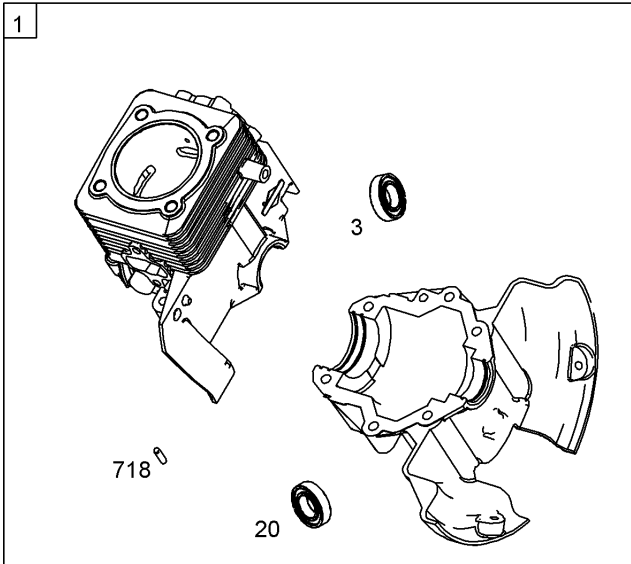
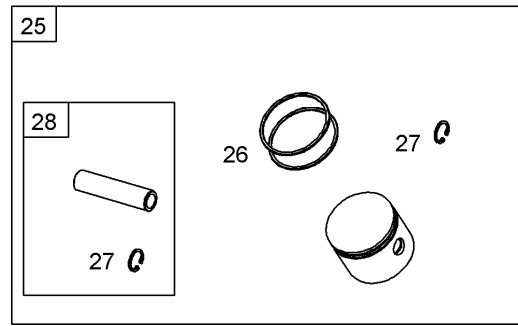
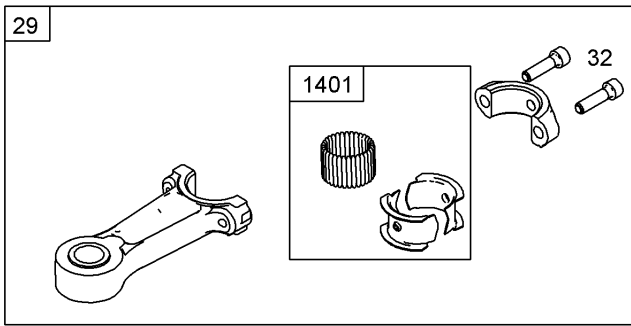
Ref	Part No.	Qty.	Description				
2	108-7333	1	Shield-Heat				
3	94-4496	5	Screw-PPH				
4	105-3543	1	Seal-Chute				
5	55-9540-03	1	Retainer-Seal, Chute				
6	3290-474	8	Nut				



Handle Assembly

Ref	Part No.	Qty.	Description
1	95-2667	1	Handle-Upper
1:1	104-2775	1	Decal-Drive, Rotor
2	71-5120-03	1	Bail ASM
3	71-5530	1	Cover-Spring
4	71-5480	1	Spring-Clutch
5	71-5330	1	Adjuster-Cable, Clutch
6	2412-91	1	Clamp
7	98-2266	2	Lock-Handle
8	110-3437	1	Cable-Clutch
9	32144-110	2	Screw-HWH
10	3-7501	1	Washer
11	322-6	2	Screw-HH
12	322-3	2	Screw-HH
13	3296-29	4	Nut-Lock, NI
14	105-1961	2	Spacer
15	3256-68	2	Washer-Flat
16	55-9121-03	1	Handle-Lower
17	107-3844	2	Washer
18	106-4161	2	Knob-Handle
19	3256-22	1	Washer-Flat

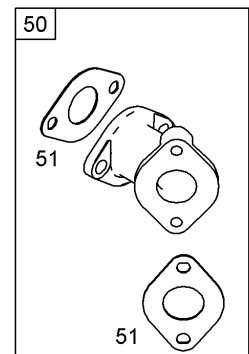
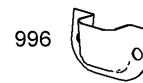
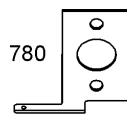
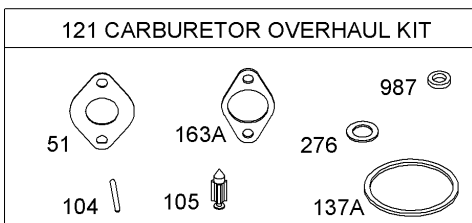
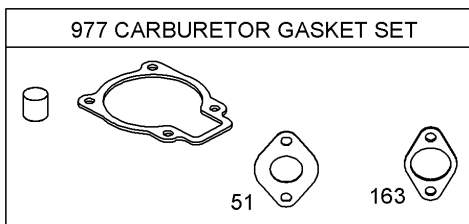
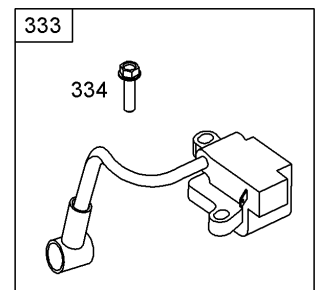
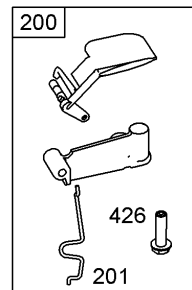
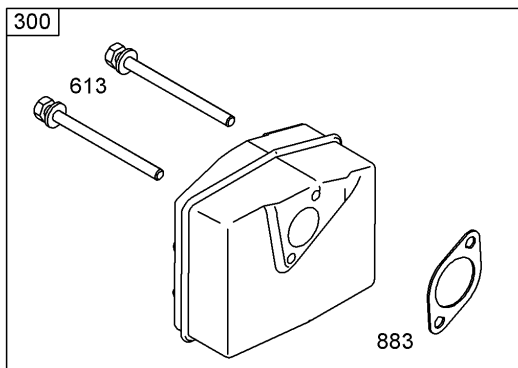
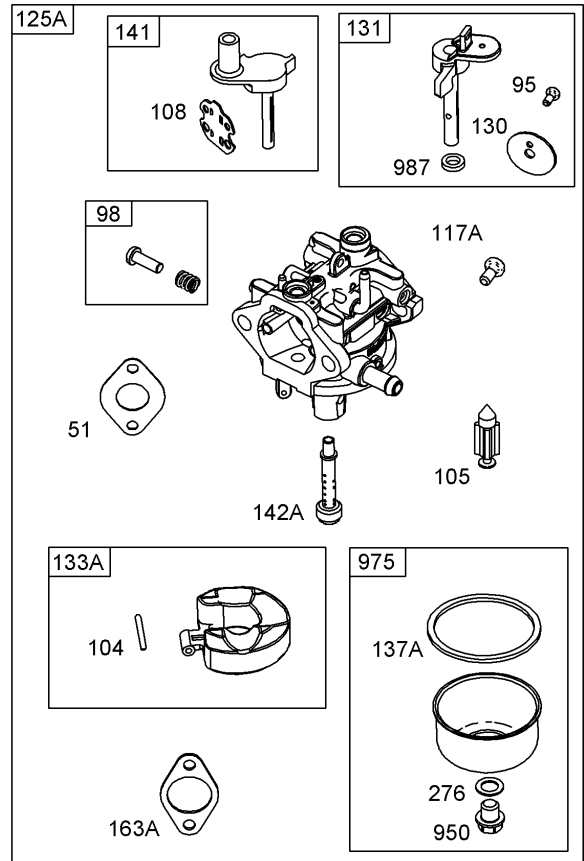
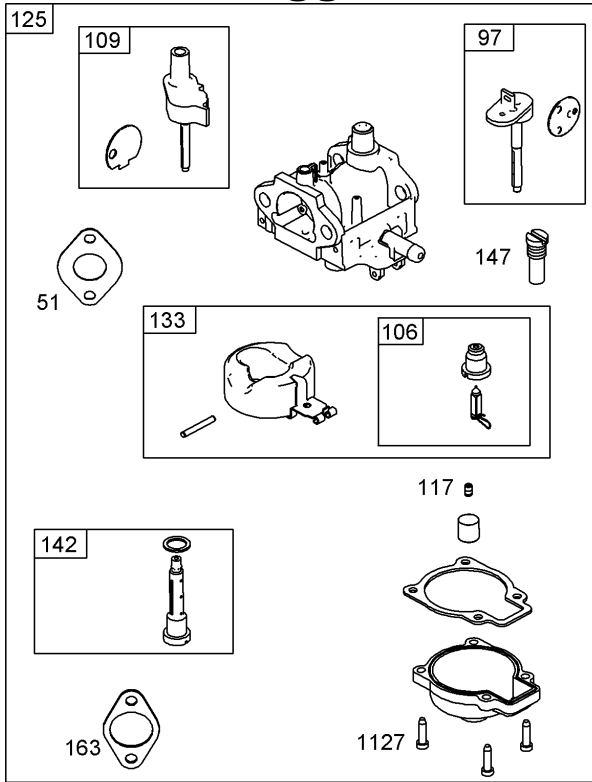
1036 EMISSIONS LABEL



Cylinder, Piston and Connecting Rod Assembly Briggs and Stratton 084133-0196-E8

Ref	Part No.	Qty.	Description
❶1	801322	1	Cylinder ASM (Non Boost, Electric Start)
❸3	801262	1	Seal-Oil (Magneto Side)
❷5	801283	1	Head-Cylinder
❷7	801263	1	Gasket-Head, Cylinder
❸13	801264	1	Screw (Cylinder Head)
❸14	801265	1	Stud (Cylinder Head)
❸16	801220	1	Crankshaft
❸20	801261	1	Seal-Oil (PTO Side)
❸22	801266	1	Screw (Crankcase Cover/ Sump)
❸22A	801271	1	Screw (Crankcase Cover/ Sump)
❸24	801234	1	Key-Flywheel
❸25	801279	1	Piston ASM
❸26	801280	1	Ring Set
❸27	801275	1	Lock-Pin, Piston
❸28	801276	1	Pin-Piston
❸29	801277	1	Rod-Connecting
❸32	801278	1	Screw (Connecting Rod)
❸337	801254	1	Plug-Spark
❸718	690959	1	Pin-Locating
❸1051	801274	1	Ring-Retaining
❸1036		1	Label-Emissions (Available From An Authorized Briggs And Stratton Service Dealer)
❸1401	801290	1	Roller-Strip

Muffler, Carburetor and Intake Manifold Assembly Briggs and Stratton 084133-0196-E8



Muffler, Carburetor and Intake Manifold Assembly

Briggs and Stratton 084133-0196-E8

Ref	Part No.	Qty.	Description	Ref	Part No.	Qty.	Description
50	801232	1	Manifold-Intake	333	801268	1	Armature-Magneto
451	801224	1	Gasket-Intake	334	801267	1	Screw (Magneto Armature)
54	801230	1	Screw (Intake Manifold)	426	801231	1	Screw (Governor Blade)
95	801415	1	Screw (Throttle Valve) (Used After Code Date 06060600)	613	801251	1	Screw (Muffler)
97	801306	1	Shaft-Throttle (Used Before Code Date 06060700)	654	801324	1	Nut (Intake Manifold) (Used Before Code Date 05042600)
98	801419	1	Idle Speed Kit (Used After Code Date 06060600)	711	801229	1	Screw (Carburetor Shield)
4104	691242	1	Pin-Hinge, Float (Used After Code Date 06060600)	780	801228	1	Anchor-Spring
4105	801423	1	Valve-Needle, Float (Used After Code Date 06060600)	789	801253	1	Wire ASM
106	801317	1	Seat-Inlet (Used Before Code Date 06060700)	883	801252	1	Gasket-Exhaust
108	801413	1	Valve-Choke (Used After Code Date 06060600)	950	801421	1	Screw-Bowl, Float (Used After Code Date 06060600)
109	801307	1	Shaft-Choke (Used Before Code Date 06060700)	975	801420	1	Bowl-Float (Used After Code Date 06060600)
117	801310	1	Jet-Main (Standard) (Used Before Code Date 06060700)	977	801312	1	Gasket Set-Carburetor (Used Before Code Date 06060700)
117A	801425	1	Jet-Main (Used After Code Date 06060600)	4987	801416	1	Seal-Shaft, Throttle (Used After Code Date 06060600)
118	801426	1	Jet-Main (Used After Code Date 06060600)	996	801226	1	Shield-Carburetor
121	801427	1	Carburetor Overhaul Kit (Used After Code Date 06060600)	1127	801318	1	Screw (Float Bowl) (Used Before Code Date 06060700)
125	801233	1	Carburetor (Used Before Code Date 06060700)				
125A	801396	1	Carburetor (Used After Code Date 06060600)				
130	801414	1	Valve-Throttle (Used After Code Date 06060600)				
131	801417	1	Throttle Shaft Kit (Used After Code Date 06060600)				
133	801316	1	Float-Carburetor (Used Before Code Date 06060700)				
133A	801422	1	Float-Carburetor (Used After Code Date 06060700)				
4137A	693981	1	Gasket-Bowl, Float (Used After Code Date 06060600)				
141	801418	1	Choke Shaft Kit (Used After Code Date 06060600)				
142	801313	1	Nozzle-Carburetor (Used Before Code Date 06060700)				
142A	801424	1	Nozzle-Carburetor (Used After Code Date 06060600)				
147	801308	1	Jet-Pilot (Used Before Code Date 06060700)				
5163	801227	1	Gasket-Cleaner, Air (Used Before Code Date 06060700)				
4163A	801397	1	Gasket-Cleaner, Air (Used After Code Date 06060600)				
200	801289	1	Blade-Governor				
201	801225	1	Link-Vane, Air				
209	801223	1	Spring-Governor				
4276	692255	1	Washer-Sealing (Used After Code Date 06060600)				
300	801250	1	Muffler				

Attachments and Accessories

For 38516 - CCR 2450 GTS Snowthrower

Product Name

Model/Part

Lower Shroud Replacement Kit	108-7338
Snow Cab	88-0600

