



## CCR™ 3650 GTS® Snowthrower

Model No. 38518 - 270000001 and up.

### Parts Catalog

---

#### Ordering Replacement Parts

To order replacement parts, please supply the part number, the quantity, and the description of each part desired.

#### Understanding Reference Numbers

Each identified part in an illustration has a reference number. The reference number for a part also appears in the parts list, along with other information about the part.

This catalog uses two special reference number formats, one to indicate parts in a service assembly and another to indicate the quantity of a given part in an illustration.

#### Service Assembly Reference Numbers

Parts in service assemblies have reference numbers in the form a:b. The a represents the reference number of the entire service assembly and the b represents a sequential number unique to each part within the service assembly.

For example, a wheel assembly might be identified by reference number 6, the tire by 6:1, the valve by 6:2, and the wheel by 6:3. When you order the assembly identified by reference number 6, you receive all parts identified by reference numbers 6:1, 6:2, and 6:3. However, you may also order any part individually. Reference numbers of this type appear in illustrations and in part lists.

#### Reference Numbers Indicating Quantity

In an illustration, if a reference number indicates more than one part, the reference number has the form nX y. The n represents the quantity of the part, the X is the multiplication symbol, and the y represents the reference number.

For example, in an illustration, the reference number 2X 37 means that two of the parts identified by reference number 37 are indicated.

# Contents

Description	Page	Description	Page
Rotor Housing and Scraper Assembly	..... 3	Handle Assembly	..... 10
Impeller Drive Assembly	..... 4	Cylinder, Piston, and Connecting Rod	
Chute Assembly	..... 5	Assemblies Briggs and Stratton 084233-0198- E1	..... 11
Rotor Assembly	..... 6	Muffler, Carburetor, and Intake Manifold	
Engine, Gas Tank and Frame Assembly	..... 7	Assemblies Briggs and Stratton 084233-0198- E1	..... 12
Shroud and Control Panel Assembly	..... 8	Flywheel, Blower Housing, and Starter	
Upper Shroud Assembly No. 110-3401	..... 9	Assemblies Briggs and Stratton 084233-0198- E1	..... 13
		Attachments and Accessories List	..... 14

## Part Description Abbreviations

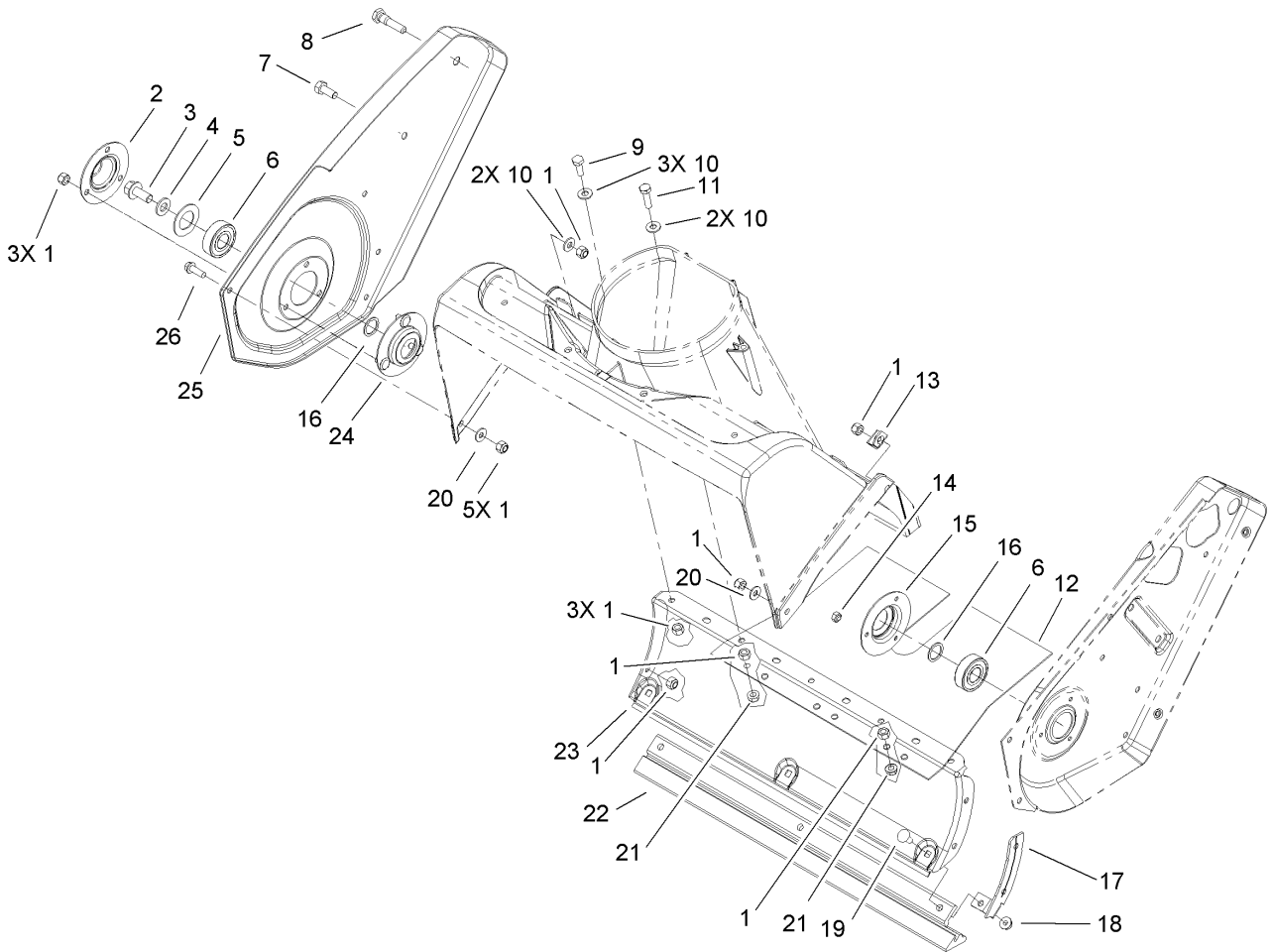
Part descriptions in this catalog may include the following abbreviations.

AR. .... as required	HYD. .... hydraulic
ASM. .... assembly	LH. .... left hand
BBC. .... blade brake clutch	NI. .... nylon insert
CARR. .... carriage	NPTF. .... national pipe thread fine
DEG. .... degrees	PFH. .... phillips flat head
EXT. .... external	PPH. .... phillips pan head
FH. .... flat head	PPHTF. .... phillips pan head thread forming
GA. .... gauge	PRH. .... phillips round head
HD. .... heavy-duty	PTH. .... phillips truss head
HF. .... hex flange	PTO. .... power-take-off
HH. .... hex head	RH. .... right hand
HHF. .... hex head flange	ROPS. .... roll-over protection system
HHFTF. .... hex head flange thread forming	SFH. .... slotted fillister head
HJ. .... hex jam	SHH. .... slotted hex head
HLH. .... hex lag head	SHWH. .... slotted hex washer head
HOC. .... height-of-cut	SPH. .... slotted pan head
HSBH. .... hex socket button head	SQH. .... square head
HSFH. .... hex socket flat head	SRH. .... slotted round head
HSH. .... hex socket head	STD. .... standard
HWH. .... hex washer head	TAP. .... self tapping
HWHTF. .... hex washer head thread forming	TTH. .... torx truss head

## Footnotes

❶ Not serviced separately

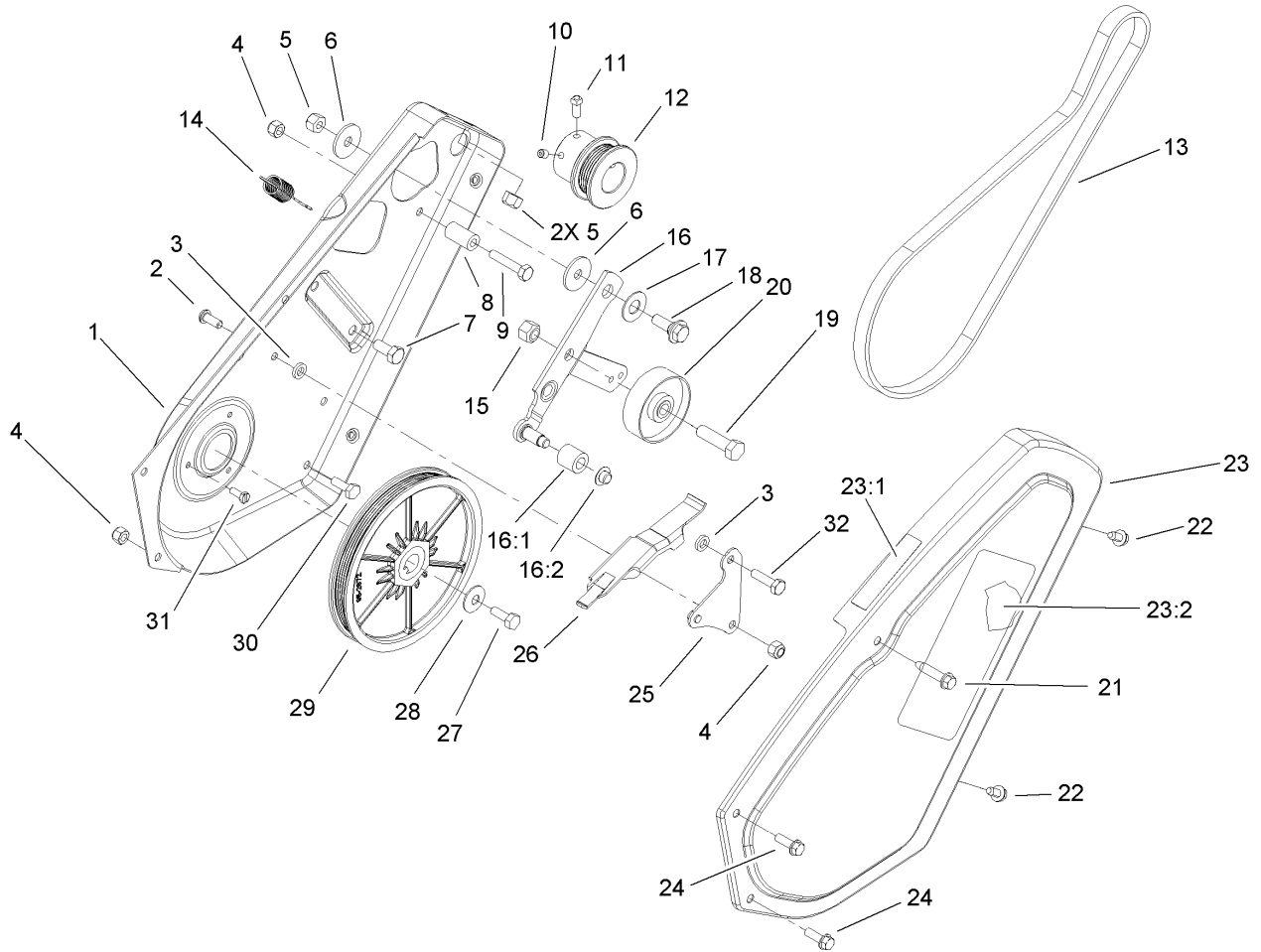
❷ Obtain from your local Briggs & Stratton dealer



## Rotor Housing and Scraper Assembly

Ref	Part No.	Qty.	Description
1	3296-42	17	Nut-Lock, NI
2	52-7290-03	1	Retainer-Bearing
3	3234-25	1	Screw-HHF
4	3256-24	1	Washer-Flat
5	52-7270	1	Washer-Rubber
6	100-1048	2	Bearing-Ball
7	322-43	1	Screw-HH
8	38-8211	1	Pin-Rotor
9	321-4	3	Screw-HH
10	3256-22	7	Washer-Flat
11	321-6	2	Screw-HH
12	55-9512	1	Cover-Bottom
13	55-9430	1	Bracket-Housing
14	3296-2	3	Nut-Lock
15	38-8620	1	Flange-Bearing
16	52-7280	2	Washer-Thrust
17	56-2610	1	Bracket-Housing, Lower
18	32149-2	3	Nut-Keps
19	3229-11	3	Screw-CARR
20	3256-1	2	Washer-Flat
21	32128-10	2	Nut-Lock, HHF
22	55-8760	1	Scraper
23	105-1967-03	1	Housing-Lower
24	52-9110	1	Flange-Bearing

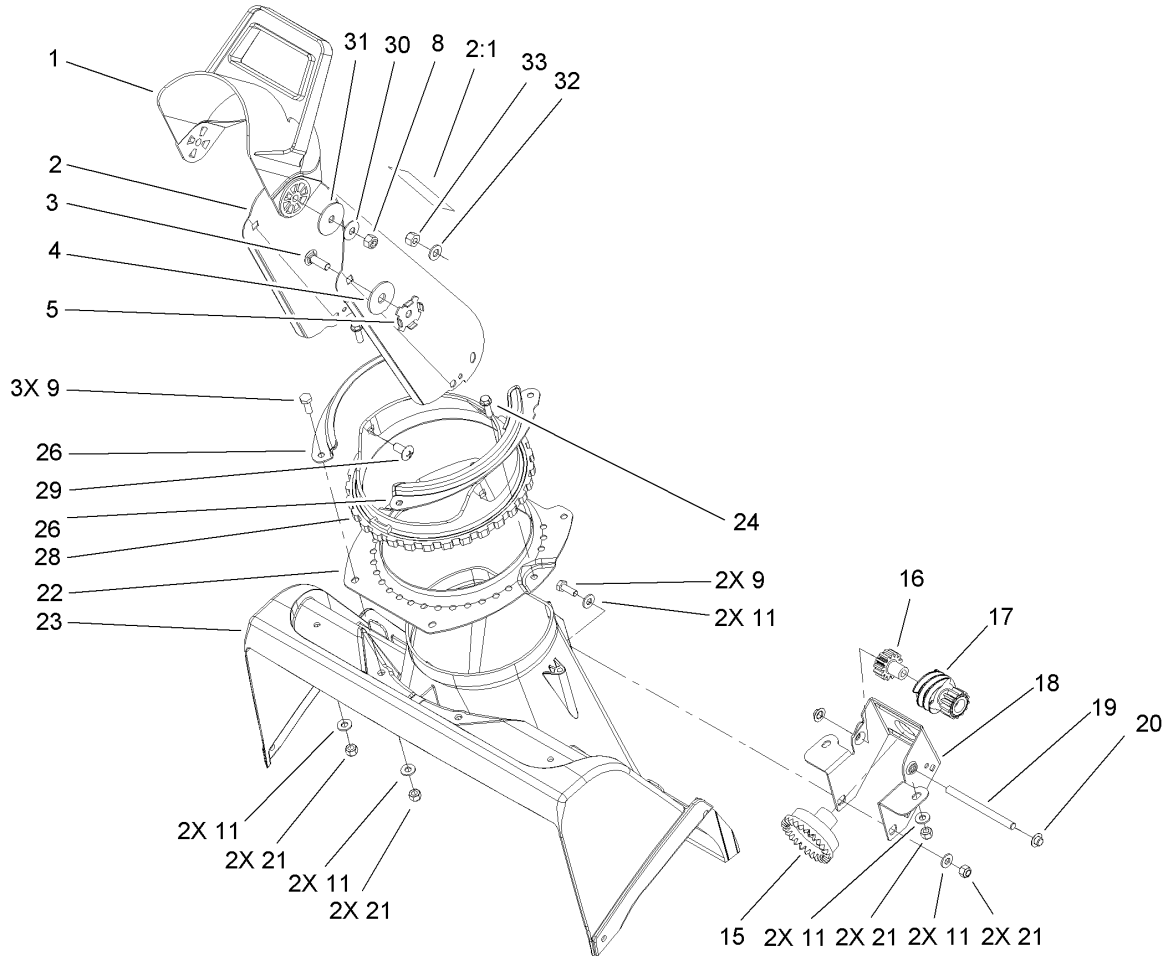
Ref	Part No.	Qty.	Description
25	105-1952-03	1	Sideplate-Right
26	32105-15	5	Screw



## Impeller Drive Assembly

Ref	Part No.	Qty.	Description
1	55-8851-03	1	Plate-Side, LH
2	3274-31	1	Screw-HSBH
3	55-9620	2	Spacer-Plate, Pivot
4	3296-42	3	Nut-Lock, NI
5	3296-29	3	Nut-Lock, NI
6	5-4460	2	Washer-Pivot
7	322-3	2	Screw-HH
8	55-9530	1	Sleeve-Guide, Belt
9	321-13	1	Screw-HH
10	3245-32	1	Screw-HSH
11	3241-7	1	Screw-SQH
12	95-2673	1	Pulley-Engine
13	95-6151	1	Belt-Drive
14	55-9280	1	Spring-Extension
15	32152-2	1	Nut-Lock, Cone
16	105-3542	1	Idler Arm ASM
16:1	55-9520	1	Roller-Brake
16:2	32112-11	1	Nut-Push
17	25-5641	1	Washer
18	27-0410	1	Screw-Shoulder
19	323-29	1	Screw-HH
20	55-9290	1	Pulley-Idler
21	32144-110	1	Screw-HWH
22	12-3270	2	Screw

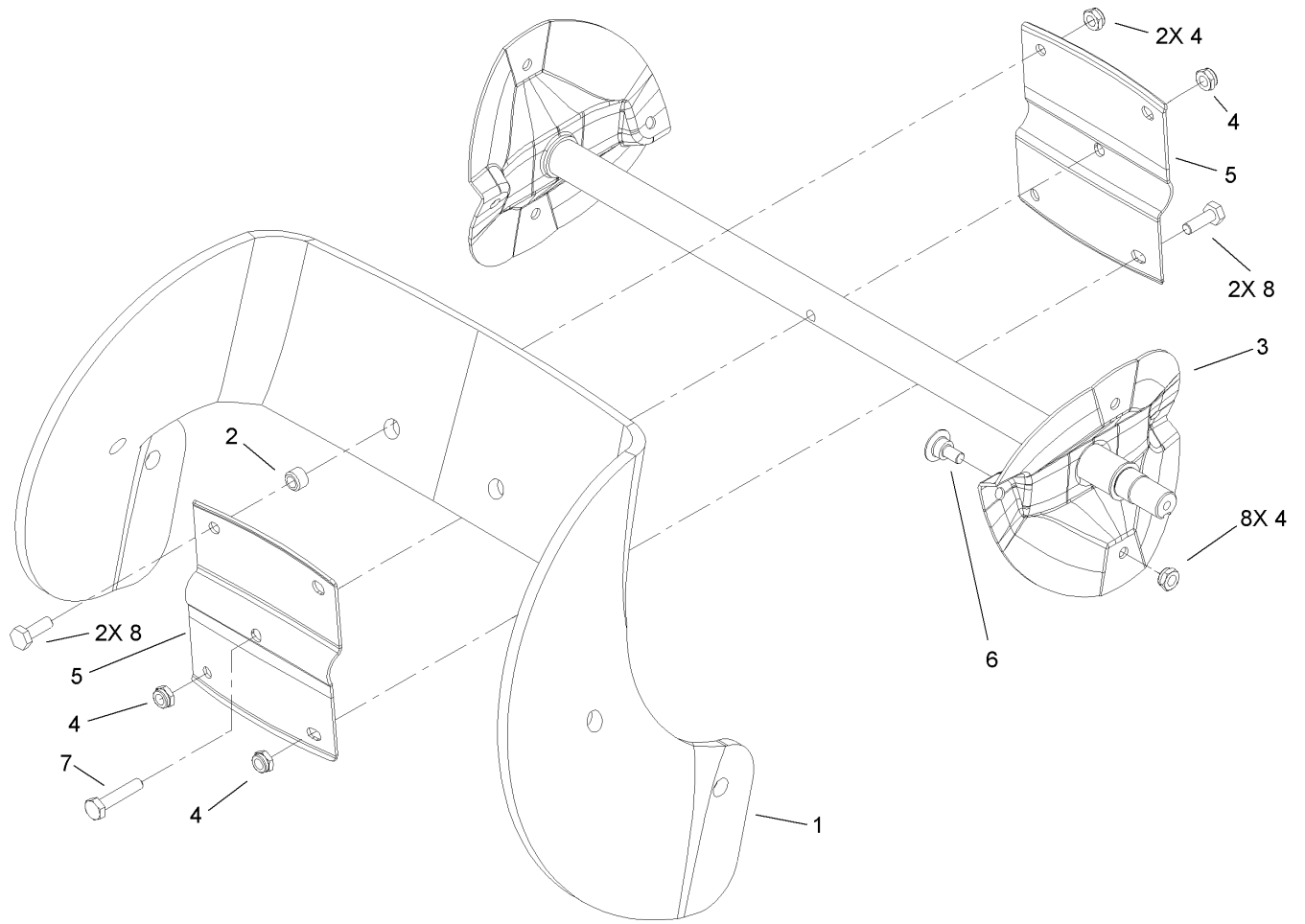
Ref	Part No.	Qty.	Description
23	105-1997	1	Cover-Drive
23:1	104-2767	1	Decal-Warning
23:2	60-9480	1	Decal
24	32105-15	2	Screw
25	55-9570	1	Pivot Plate ASM
26	55-9550	1	Brake-Arm
27	321-30	1	Screw-HH
28	3290-456	1	Washer-Belleville
29	95-2672	1	Pulley Rotor ASM
30	321-4	2	Screw-HH
31	32105-8	3	Screw-SHH
32	321-6	1	Screw-HH



### Chute Assembly

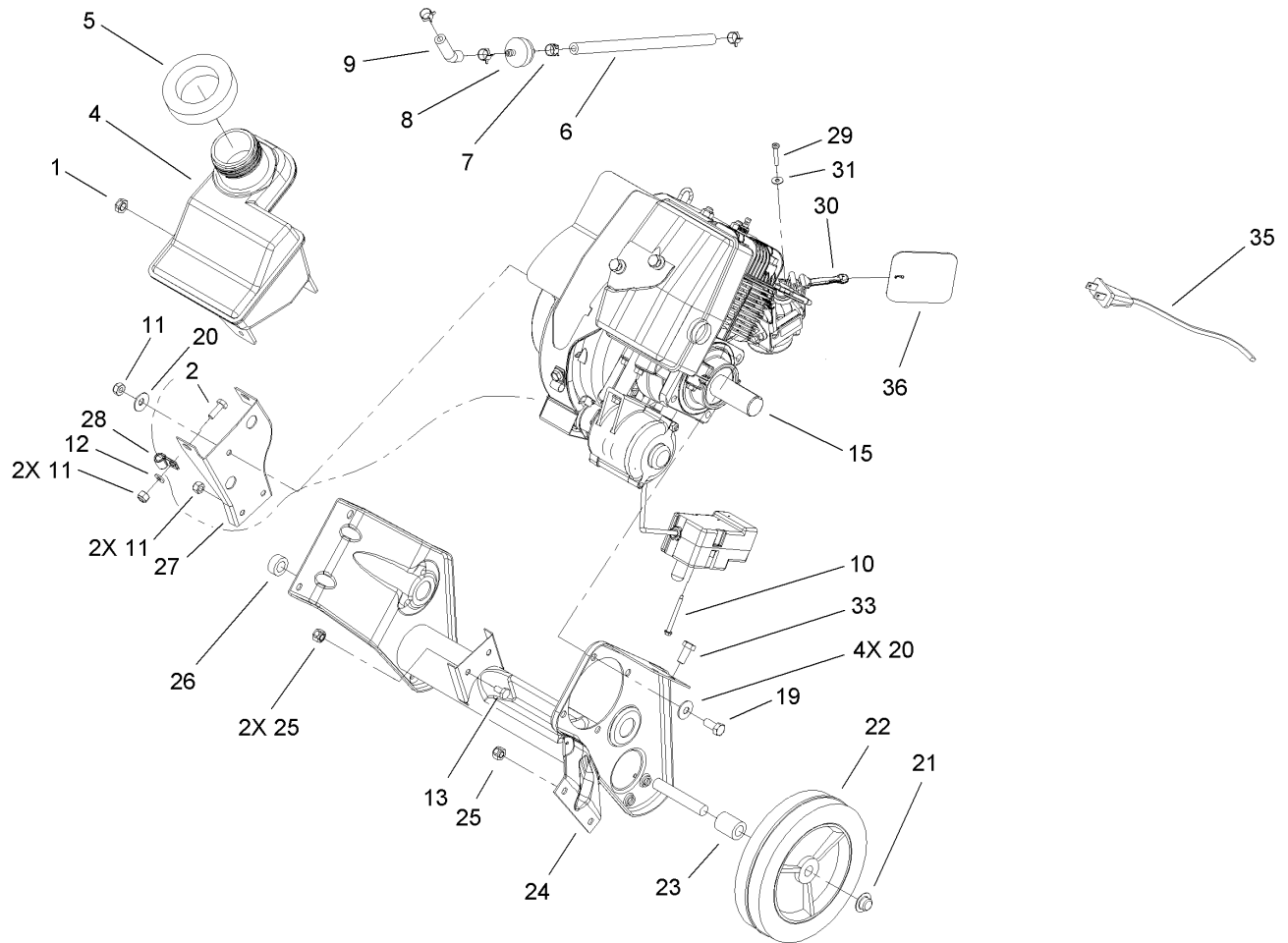
Ref	Part No.	Qty.	Description
1	56-2680	1	Chute-Deflector
2	104-4115	1	Chute ASM
2:1	104-4135	1	Decal-Danger
3	3230-22	2	Screw-CARR
4	20-4320	2	Washer-Rubber
5	55-8950	2	Plate-Friction
8	3296-29	2	Nut-Lock, NI
9	321-4	5	Screw-HH
11	3256-22	10	Washer-Flat
15	55-8740	1	Gear-Face
16	55-8750	1	Gear-Spur, Spacer
17	105-3512	1	Gear-Spur/Worm
18	105-3513	1	Bracket-Gear, Chute
19	55-9150	1	Shaft-Gear, Worm
20	32112-11	2	Nut-Push
21	3296-42	8	Nut-Lock, NI
22	55-8921-03	1	Ring-Support, Chute
23	105-1950	1	Housing-Rotor, Upper
24	46-8091	2	Screw-HWH
26	55-8910-03	2	Ring-Retainer, Chute
28	55-8720	1	Ring-Gear, Chute
29	100-5486	3	Screw-Truss HD, Phillips
30	3290-456	2	Washer-Belleville
31	3256-68	2	Washer-Flat

Ref	Part No.	Qty.	Description
32	3256-70	3	Washer-Flat
33	3296-47	3	Nut-Lock, NI



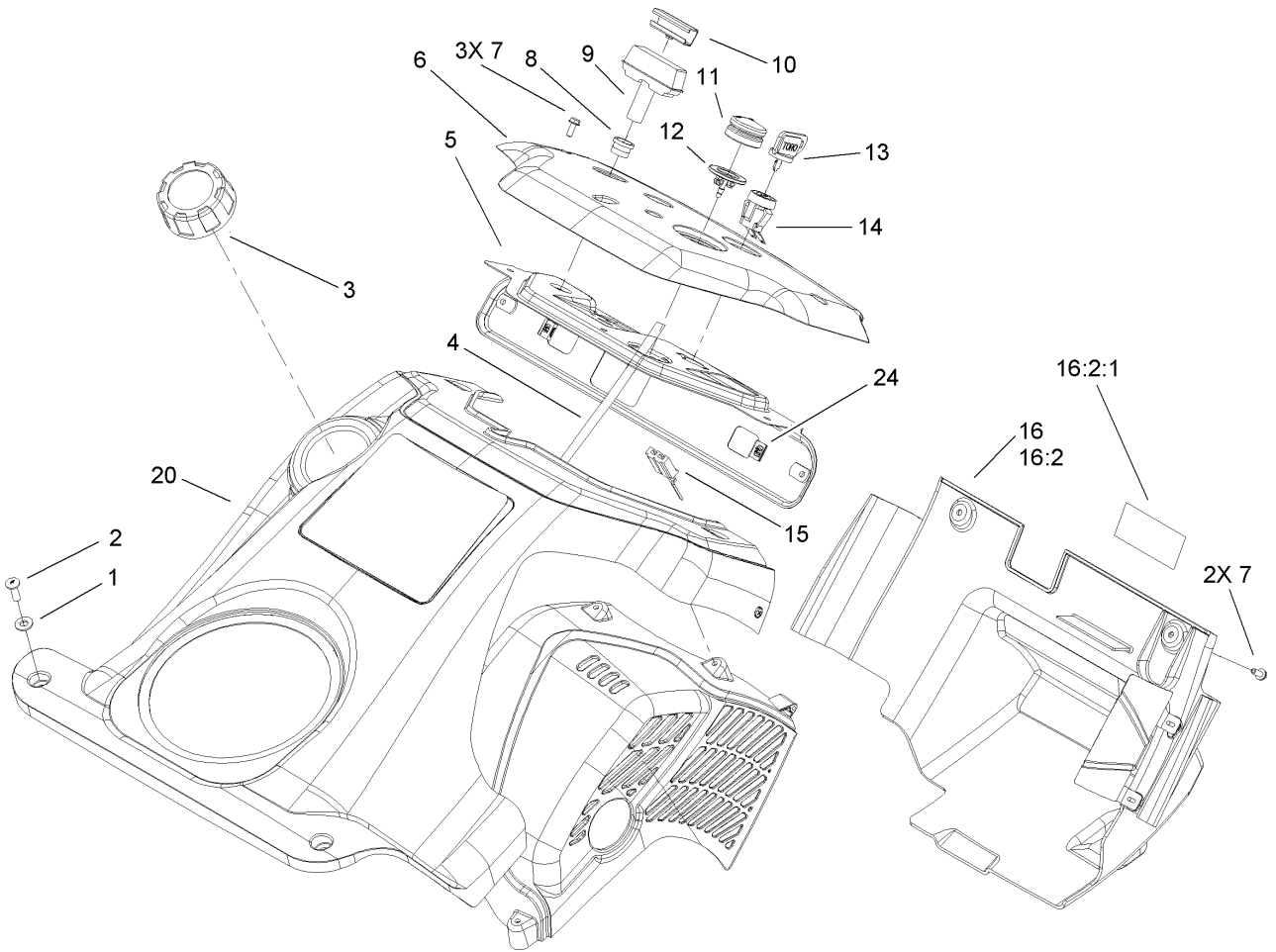
## Rotor Assembly

Ref	Part No.	Qty.	Description
1	99-9313	2	Blade-Rotor
2	55-9370	4	Spacer-Blade, Rotor
3	100-5478-03	1	Rotor ASM
4	3296-56	13	Nut-Lock, NI
5	66-6600-03	2	Half-Rotor
6	84-1971	8	Screw
7	321-8	1	Screw-HH
8	321-4	4	Screw-HH

## Engine, Gas Tank and Frame Assembly

Ref	Part No.	Qty.	Description	Ref	Part No.	Qty.	Description
1	32152-8	1	Nut-Lock, Cone	29	32144-97	1	Screw-PPH, Plastite
2	321-4	2	Screw-HH	30	104-0878	1	Lever-Choke
4	105-8952	1	Tank-Gas	31	3256-14	1	Washer-Flat
5	55-9310	1	Seal-Foam	33	322-43	2	Screw-HH
6	110-4894	1	Hose-Fuel	35	106-4741	1	Cord-Electric
7	2412-98	4	Clamp	36	110-3444	1	Shield-Choke Hole
8	56-6360	1	Filter-Fuel				
9	109-0304	1	Hose-Fuel				
10	32144-27	3	Screw-Plastite				
11	3296-42	5	Nut-Lock, NI				
12	3256-22	2	Washer-Flat				
13	321-2	2	Screw-HH				
15		1	Engine-Briggs And Stratton, 084233-0198-E1				
19	322-3	4	Screw-HH				
20	3290-456	5	Washer-Belleville				
21	32112-14	2	Nut-Push				
22	66-6510	2	Wheel				
23	66-6501	1	Spacer-Wheel				
24	105-1965-03	1	Frame				
25	3296-29	3	Nut-Lock, NI				
26	66-6500	1	Spacer-Wheel				
27	105-1968-03	1	Bracket-Support, Recoil				
28	2412-91	1	Clamp				

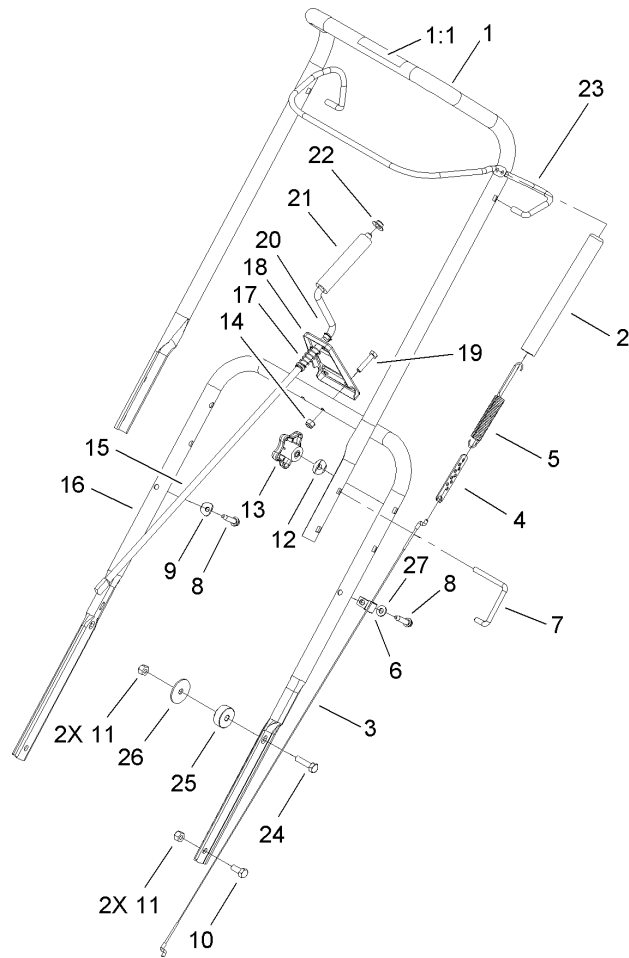


## Shroud and Control Panel Assembly

Ref	Part No.	Qty.	Description
1	3256-22	2	Washer-Flat
2	3250-32	2	Screw-PPH
3	104-4133	1	Gas Cap ASM
4	98-1372	1	Hose-Primer
5	105-1999-03	1	Panel-Support, Control
6	105-1954	1	Panel-Control
7	32144-112	5	Screw-HWH
8	55-9410	1	Guide-Rope, Starter
9	612825	1	Handle-Start
10	612824	1	Clip-Starter
11	66-7460	1	Bulb-Primer
12	44-2750	1	Body-Primer
13	63-8360	1	Key-Ignition
14	40-5940	1	Switch
15	218-532	1	Connector-Body
16	108-7339	1	Lower Shroud And Baffle ASM
●16:2		1	Shroud-Lower
16:2:1	61-4790	1	Decal
20	110-3401	1	Upper Shroud ASM
24	100-9889	2	Nut-Speed

--	--	--	--

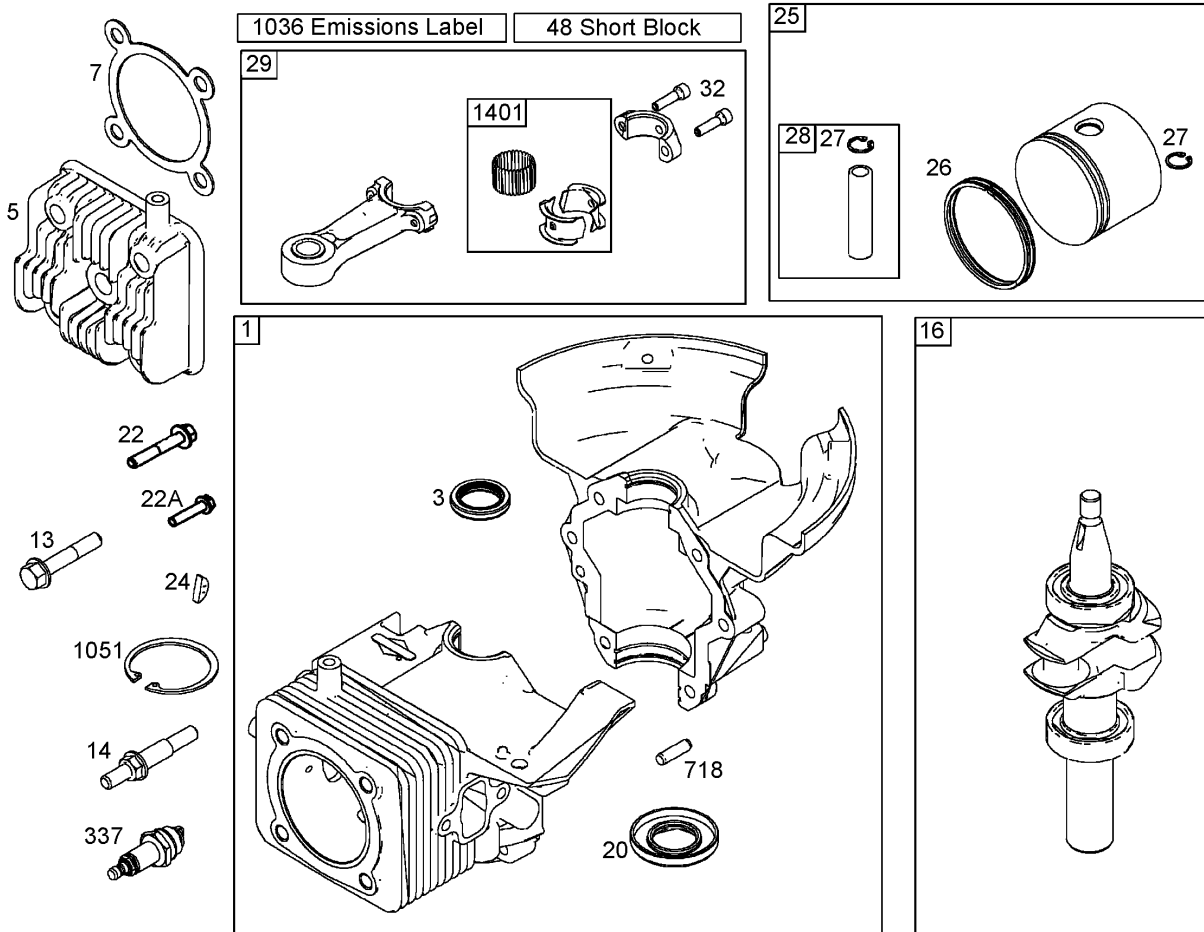




## Handle Assembly

Ref	Part No.	Qty.	Description
1	95-2669	1	Handle-Upper W/Decal ASM
1:1	104-2775	1	Decal-Drive, Rotor
2	71-5530	1	Cover-Spring
3	110-2182	1	Cable-Clutch
4	71-5330	1	Adjuster-Cable, Clutch
5	110-2181	1	Spring-Extension
6	2412-91	1	Clamp
7	98-2266	2	Lock-Handle
8	32144-110	2	Screw-HWH
9	3-7501	1	Washer
10	322-3	2	Screw-HH
11	3296-29	4	Nut-Lock, NI
12	107-3844	2	Washer
13	106-4161	2	Knob-Handle
14	3296-42	2	Nut-Lock, NI
15	55-9140	1	Rod-Crank, Chute
16	55-9121-03	1	Handle-Lower
17	104-8664	1	Spring-Compression
18	55-9090-03	1	Support-Crank, Chute
19	321-8	2	Screw-HH
20	256-249	1	Bushing
21	40-8230	1	Grip-Chute Control
22	3290-320	1	Retainer-Push On
23	100-5473-03	1	Bail-Control

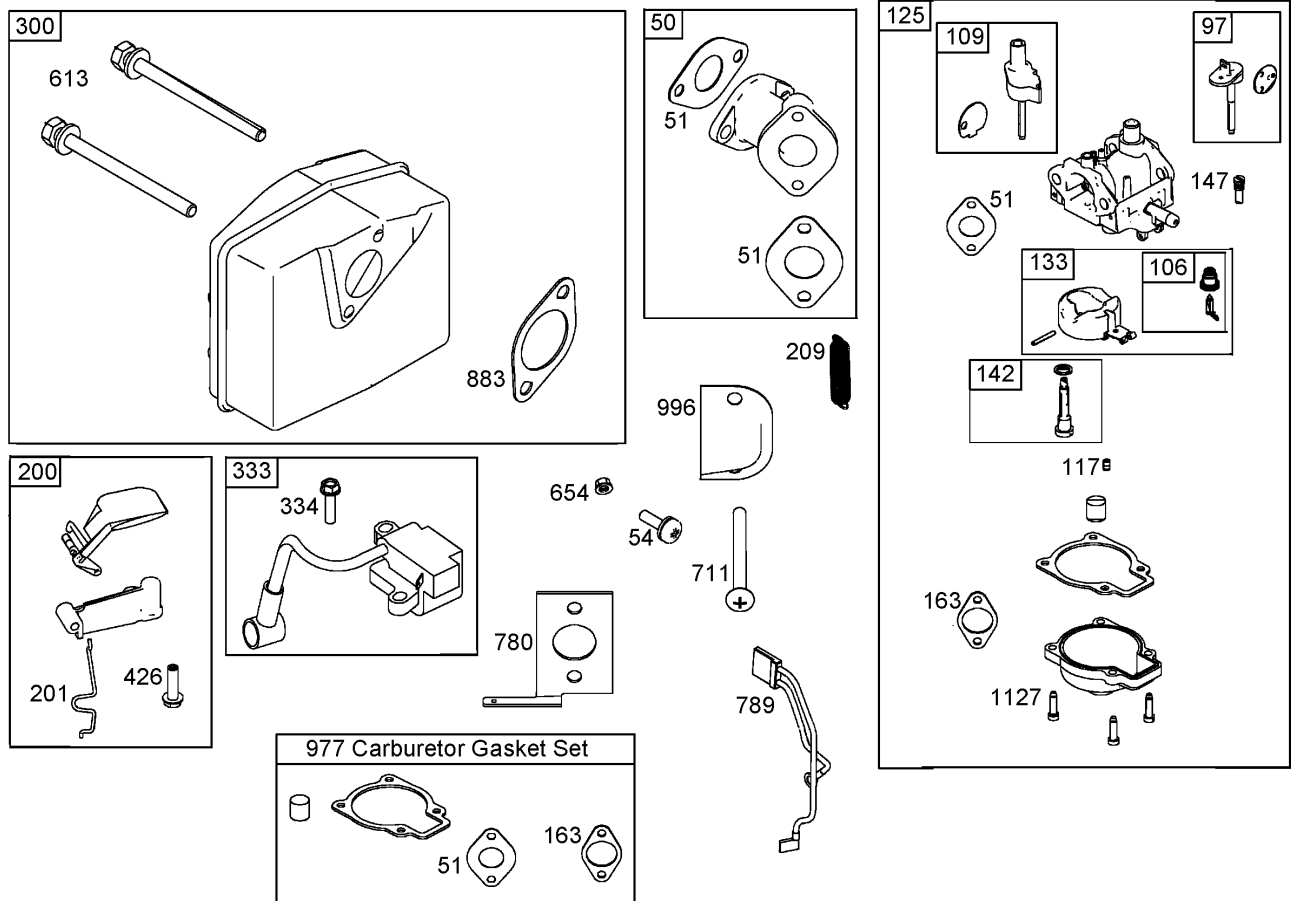
Ref	Part No.	Qty.	Description
24	322-6	2	Screw-HH
25	105-1961	2	Spacer
26	3256-68	2	Washer-Flat
27	3256-22	1	Washer-Flat



## Cylinder, Piston, and Connecting Rod Assemblies Briggs and Stratton 084233-0198-E1

Ref	Part No.	Qty.	Description
1	801322	1	Cylinder ASM
3	801262	1	Seal-Oil
5	801283	1	Head-Cylinder
7	801263	1	Gasket-Head, Cylinder
13	801264	1	Screw (Cylinder Head)
14	801265	1	Stud (Cylinder Head)
22	801266	1	Screw (Crankcase Cover And Sump)
22A	801271	1	Screw (Crankcase Cover And Sump)
24	801234	1	Key-Flywheel
25	801279	1	Piston ASM
26	801280	1	Ring Set
27	801275	1	Lock-Pin, Piston
28	801276	1	Pin-Piston
29	801277	1	Rod-Connecting
32	801278	1	Screw
48	801285	1	Short Block
337	801254	1	Plug-Spark
718	690959	1	Pin-Locating
1036	801294	1	Label-Emissions
1051	801274	1	Ring-Retaining

Ref	Part No.	Qty.	Description
1401	801290	1	Roller-Strip



## Muffler, Carburetor, and Intake Manifold Assemblies Briggs and Stratton 084233-0198-E1

Ref	Part No.	Qty.	Description
●50	801232	1	Manifold-Intake
●51	801224	1	Gasket-Intake
●54	801230	1	Screw (Intake Manifold)
●97	801306	1	Shaft-Throttle
●106	801317	1	Seat-Inlet
●109	801307	1	Shaft-Choke
●117	801310	1	Jet-Main
●125	801233	1	Carburetor
●133	801316	1	Float-Carburetor
●142	801313	1	Nozzle-Carburetor
●147	801308	1	Jet-Pilot
●163	801227	1	Gasket-Cleaner, Air
●200	801289	1	Blade-Governor
●201	801225	1	Link-Vane, Air
●209	801223	1	Spring-Governor
●300	801250	1	Muffler
●333	801268	1	Armature-Magneto
●334	801267	1	Screw
●426	801231	1	Screw
●613	801251	1	Screw
●654	801324	1	Nut (Intake Manifold) (Use Before Engine Code Date 05042600)
●711	801229	1	Screw
●780	801228	1	Anchor-Spring

Ref	Part No.	Qty.	Description
●789	801253	1	Wire ASM
●883	801252	1	Gasket-Exhaust
●977	801312	1	Gasket Set-Carburetor
●996	801226	1	Shield-Carburetor
●1127	801318	1	Screw



# Attachments and Accessories

For 38518 - CCR 3650 GTS Snowthrower

Product Name

Model/Part

Lower Shroud Replacement Kit .....	108-7338
Snow Cab .....	88-0600

# NOTES

