

Technical Publications Department

8111 Lyndale Ave S
Bloomington MN 55420-1196

Author: Keith Thomas
Date: 04/20/2006
Return By: 04/19/2006
To: L Gates, D Duchscherer, Steve Sakalos

CCR™ Powerlite® 325 Snowthrower

Model No. 38173 - 270000001 and up.

REVIEW REQUEST

Review Specifications

- Make all revisions in color ink. Do not make revisions in black ink or in pencil.
If a change is complex, please supply additional documentation such as a print, sketch, or parts catalog or operator manual page.
If an attached page or page excerpt is from a parts catalog or operator manual, write the form number of the parts catalog or operator manual on the page.
During the review period, the reviewer must resolve differences between Engineering, Service, Parts, Test, and Legal.

Technical Publications does not resolve Parts issues.

Approval(s)

Sign and date review copy before returning it to Technical Publications.

Table with columns: APPROVED, No Changes, With Changes, Signature, Date. Includes four rows of checkboxes and signature lines.

Comments:

Contents

Description	Page	Description	Page
Chute and Upper Shroud Assembly 3	Rotor Drive Assembly 7
Rotor Assembly 4	Engine Assembly Tecumseh Hsk635 1723c 8
Engine, Rotor Housing and Sideplate Assembly 5	Carburetor Assembly No. 640086 Tecumseh Hsk635 1723c 10
Handle and Lower Shroud Assembly 6	Recoil Starter Assembly No. 590743 Tecumseh Hsk635 1723c 11

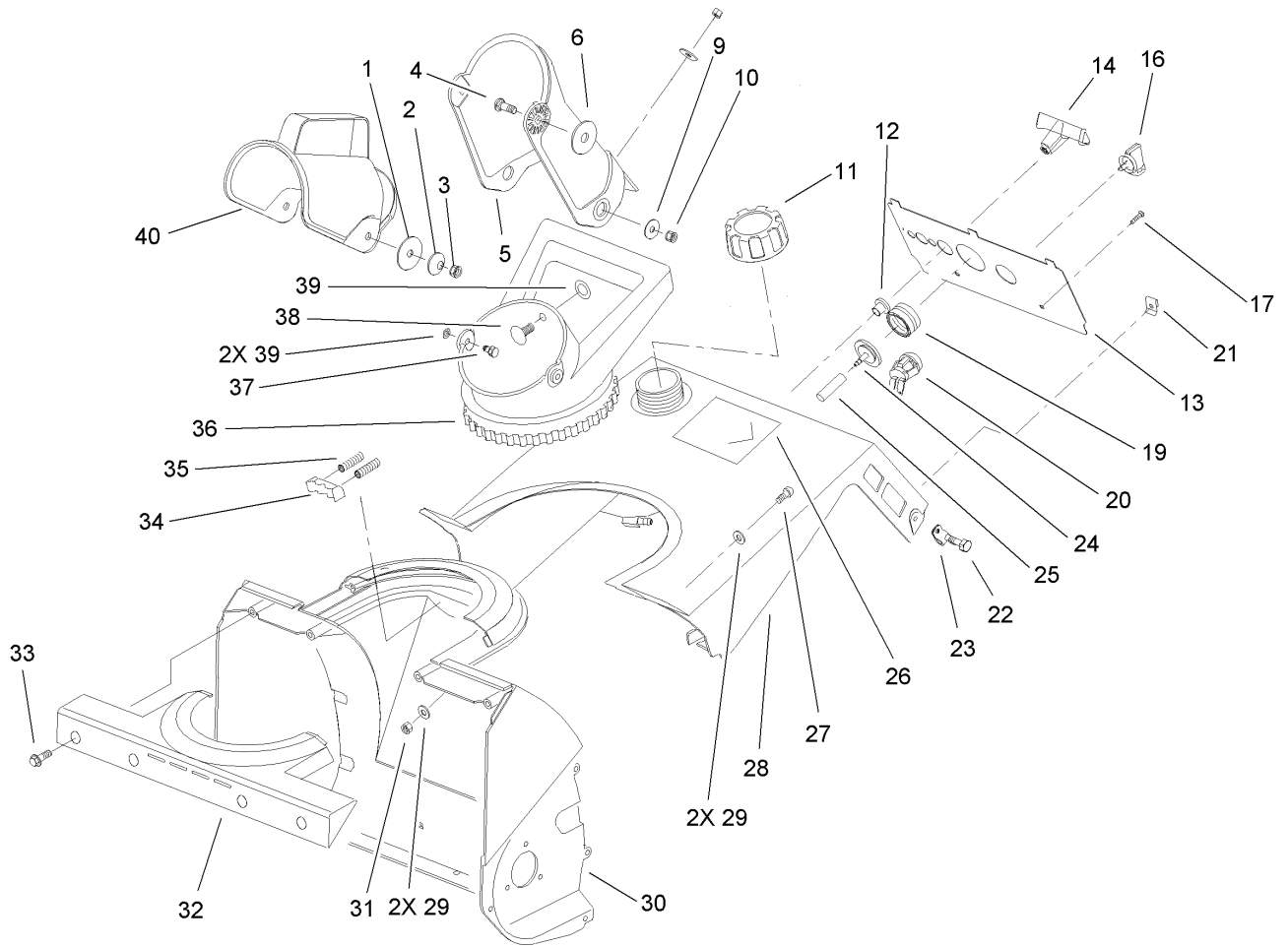
Part Description Abbreviations

Part descriptions in this catalog may include the following abbreviations.

AR. as required	HYD. hydraulic
ASM. assembly	LH. left hand
BBC. blade brake clutch	NI. nylon insert
CARR. carriage	NPTF. national pipe thread fine
DEG. degrees	PFH. phillips flat head
EXT. external	PPH. phillips pan head
FH. flat head	PPHTF. phillips pan head thread forming
GA. gauge	PRH. phillips round head
HD. heavy-duty	PTH. phillips truss head
HF. hex flange	PTO. power-take-off
HH. hex head	RH. right hand
HHF. hex head flange	ROPS. roll-over protection system
HHFTF. hex head flange thread forming	SFH. slotted fillister head
HJ. hex jam	SHH. slotted hex head
HLH. hex lag head	SHWH. slotted hex washer head
HOC. height-of-cut	SPH. slotted pan head
HSBH. hex socket button head	SQH. square head
HSFH. hex socket flat head	SRH. slotted round head
HSH. hex socket head	STD. standard
HWH. hex washer head	TAP. self tapping
HWHTF. hex washer head thread forming	TTH. torx truss head

Footnotes

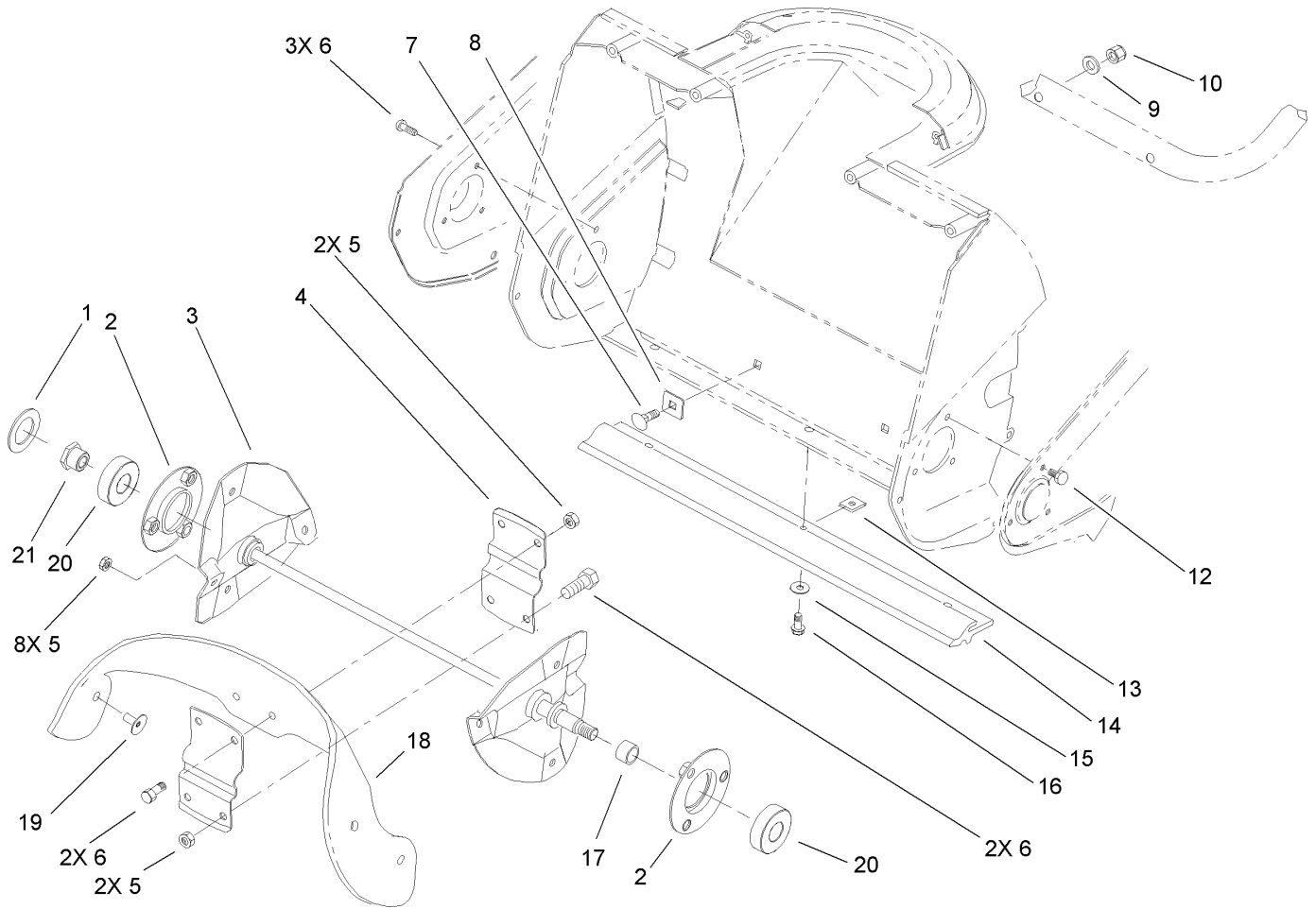
- ❶ Not illustrated
- ❷ Obtain from your local Tecumseh dealer
- ❸ Not serviced separately



Chute and Upper Shroud Assembly

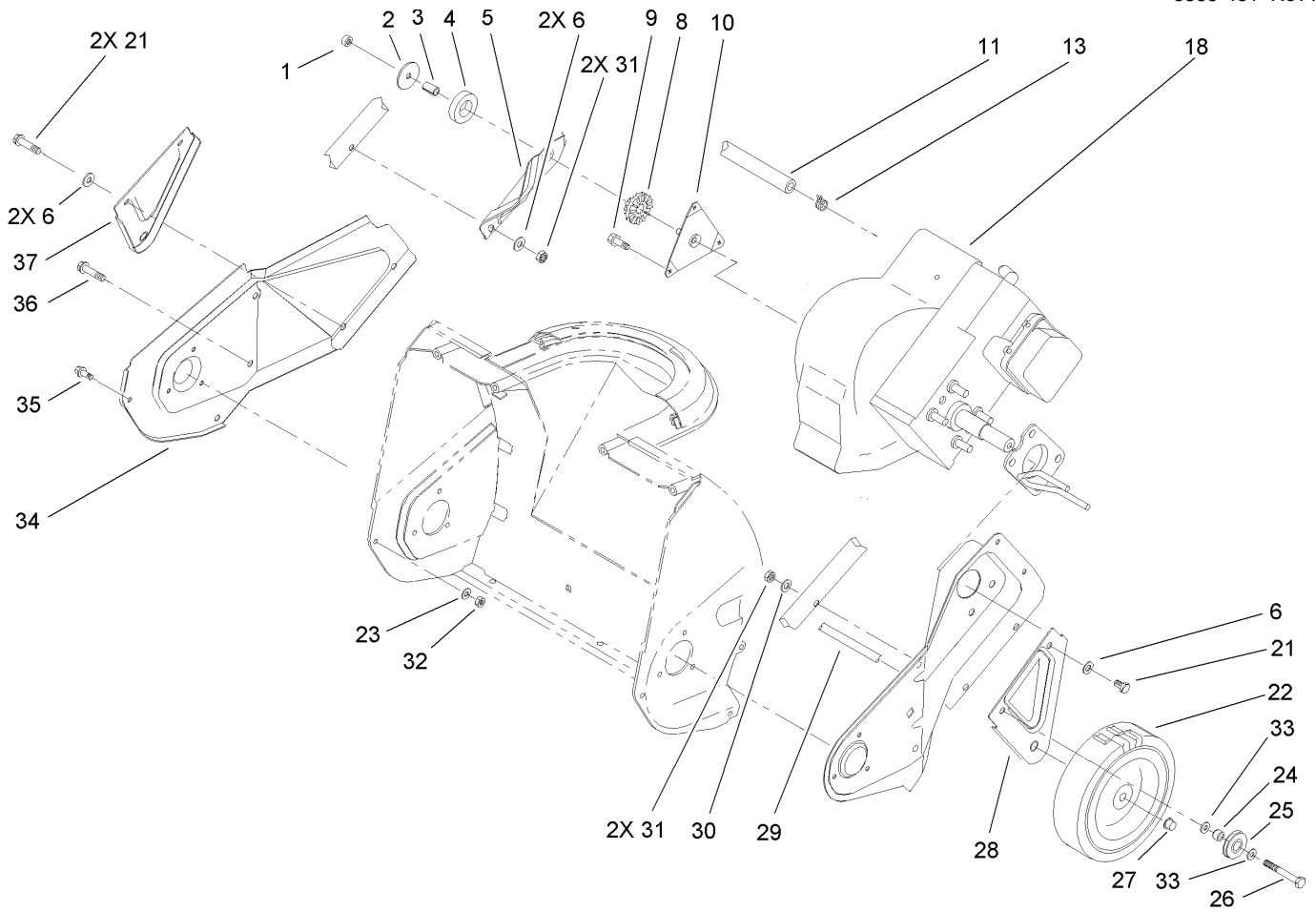
Ref	Part No.	Qty.	Description
1	3256-68	2	Washer-Flat
2	3290-340	2	Washer-Belleville
3	3296-29	2	Nut-Lock, NI
4	3230-2	2	Bolt-CARR
5	75-8762	1	Chute
6	95-1905	2	Washer-Rubber
9	3256-81	3	Washer-Flat
10	3296-56	3	Nut-Lock, NI
11	104-4133	1	Gas Cap ASM
12	23-7470	1	Guide-Rope, Starter
13	104-4939	1	Panel-Control
14	92-4853	1	Handle-Starter
16	63-8360	1	Key-Ignition
17	32144-53	2	Screw-SHWH
19	66-7460	1	Bulb-Primer
20	40-5940	1	Switch
21	49-1490	2	Nut
22	32144-89	2	Screw-Forming, Thread
23	98-2256	1	Clamp
24	44-2750	1	Body-Primer
25	44-3173	1	Hose-Primer
26	108-5081	1	Decal-Shroud
27	3250-32	2	Screw-PPH
28	105-2994	1	Shroud-Tank, Gas Upper

Ref	Part No.	Qty.	Description
29	3256-1	4	Washer-Flat
30	75-8660	1	Housing
31	3296-42	2	Nut-Lock, NI
32	75-8650	1	Retainer-Chute
33	46-8094	4	Screw-Plastite
34	75-9160	1	Detent-Chute
35	75-9170	2	Spring-Compression
36	75-8670	1	Handle-Chute
37	321-3	2	Screw-HH
38	3229-11	1	Screw-CARR
39	32115-15	3	Pushnut-Retainer, Bolt
40	75-8770	1	Deflector-Chute



Rotor Assembly

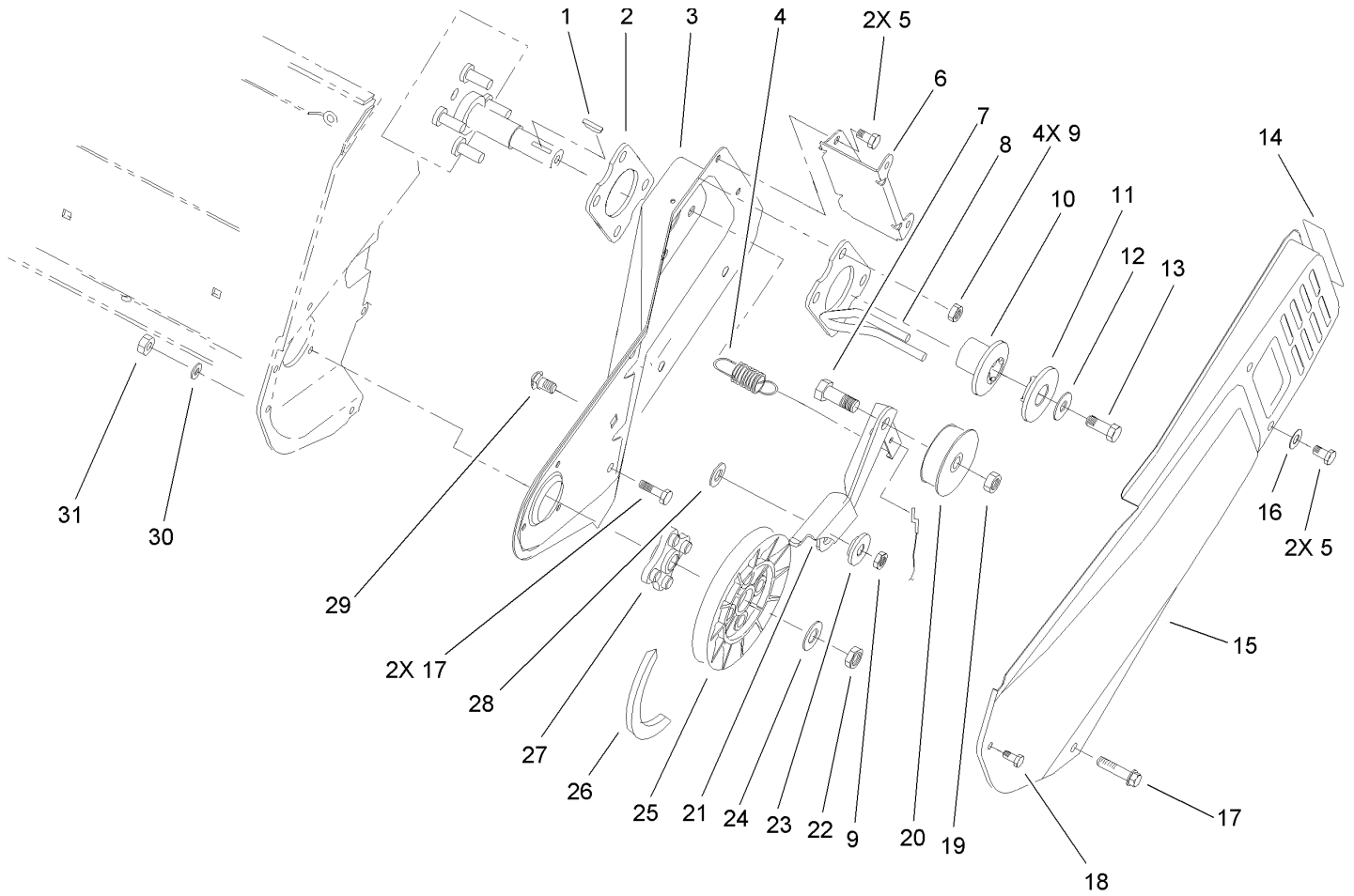
Ref	Part No.	Qty.	Description
1	75-9180	1	Washer-Rubber
2	75-9080	2	Flange Bearing ASM
3	75-8840-03	1	Rotor Shaft ASM
4	75-8880-03	2	Support-Rotor
5	3296-56	12	Nut-Lock, NI
6	3234-33	7	Screw-HHF
7	3229-5	2	Screw-CARR
8	75-9040	2	Washer-Square
9	3-7501	2	Washer
10	3296-42	2	Nut-Lock, NI
12	321-3	3	Screw-HH
13	32115-19	3	Nut-Speed, U Type
14	75-8780	1	Scraper
15	3256-14	3	Washer-Flat
16	32144-34	3	Screw-Forming, Thread
17	75-8710	1	Spacer
18	84-1980	2	Blade-Rotor
19	84-1970	8	Screw
20	100-1048	2	Bearing-Ball
21	75-8690	1	Nut



Engine, Rotor Housing and Sideplate Assembly

Ref	Part No.	Qty.	Description
1	3296-56	1	Nut-Lock, NI
2	3256-58	1	Washer-Flat
3	80-0650	1	Spacer-Tubular
4	95-1903	1	Ring-Isolator
5	75-8980-03	1	Bracket-Support, Engine
6	3256-1	5	Washer-Flat
8	75-9100	1	Bushing-Isolator
9	94-2789	3	Screw
10	92-6012	1	Bracket/Stud ASM
11	110-3447	1	Hose-Fuel
13	2412-98	2	Clamp
18		1	Engine-Tecumseh, Hsk635-1723C
21	321-10	3	Screw-HH
22	23-3250	2	Wheel
23	3256-14	1	Washer-Flat
24	55-9370	1	Spacer-Blade, Rotor
25	95-7949	1	Cable-Pulley
26	321-11	1	Screw-HH
27	3290-320	2	Retainer-Push On
28	75-8910-03	1	Bracket-Wheel, LH
29	27-0062	1	Axle
30	3-7501	2	Washer
31	3296-42	4	Nut-Lock, NI

Ref	Part No.	Qty.	Description
32	3296-2	1	Nut-Lock
33	3256-1	2	Washer-Flat
34	75-8820-03	1	Plate-RH Side
35	32105-23	1	Screw
36	46-8094	3	Screw-Plastite
37	75-8900-03	1	Bracket-Wheel, RH



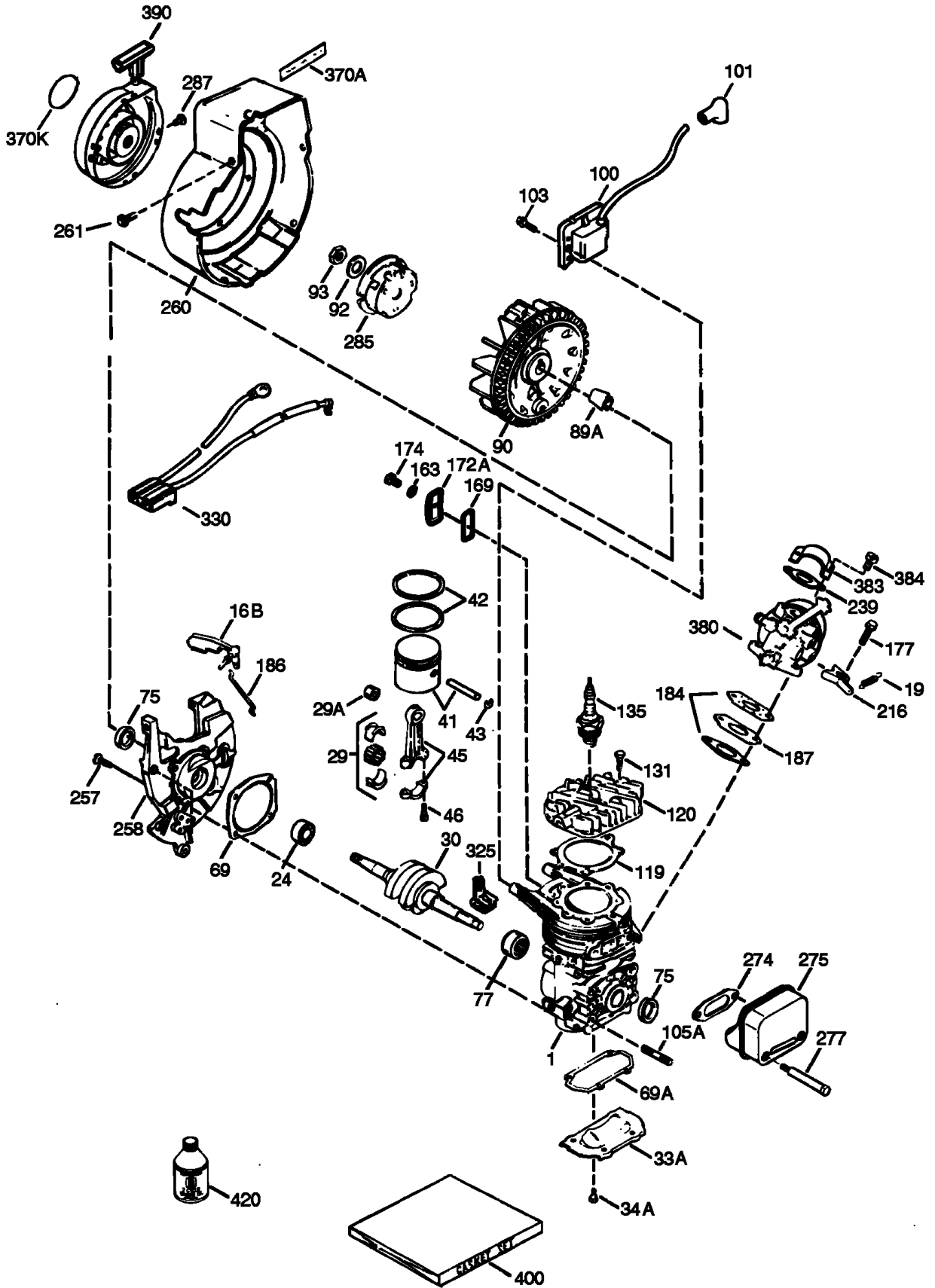
Rotor Drive Assembly

Ref	Part No.	Qty.	Description
1	3257-3	1	Key-Woodruff
2	71-5290-03	1	Plate-Engine
3	95-7945-03	1	Sideplate-LH
4	71-5470	1	Spring-Brake
5	32144-4	4	Screw-HWH
6	75-8870-03	1	Bracket-Cover, Belt
7	323-44	1	Screw-HH
8	94-9946-03	1	Guide-Belt
9	3296-29	5	Nut-Lock, NI
10	71-5050	1	Hub-Half Sheave
11	71-5060	1	Cap-Half Sheave
12	3256-71	1	Washer-Flat
13	3235-6	1	Screw-HH
14	94-2561	1	Decal-Hot
15	95-7946-03	1	Cover-Belt
16	3256-1	2	Washer-Flat
17	46-8094	3	Screw-Plastite
18	32105-23	1	Screw
19	3296-59	1	Nut-Lock, NI
20	71-5260	1	Pulley-Idler
21	94-9947	1	Arm-Brake
22	3296-38	1	Nut-Lock, NI
23	94-9948	1	Bushing-Idler
24	3256-25	1	Washer-Flat

Ref	Part No.	Qty.	Description
25	75-8750	1	Pulley-Driven
26	99-1790	1	V Belt
27	75-8740	1	Hub
28	25-5640	1	Washer
29	3230-23	1	Screw-CARR
30	3256-14	1	Washer-Flat
31	3296-2	1	Nut-Lock

Engine Assembly

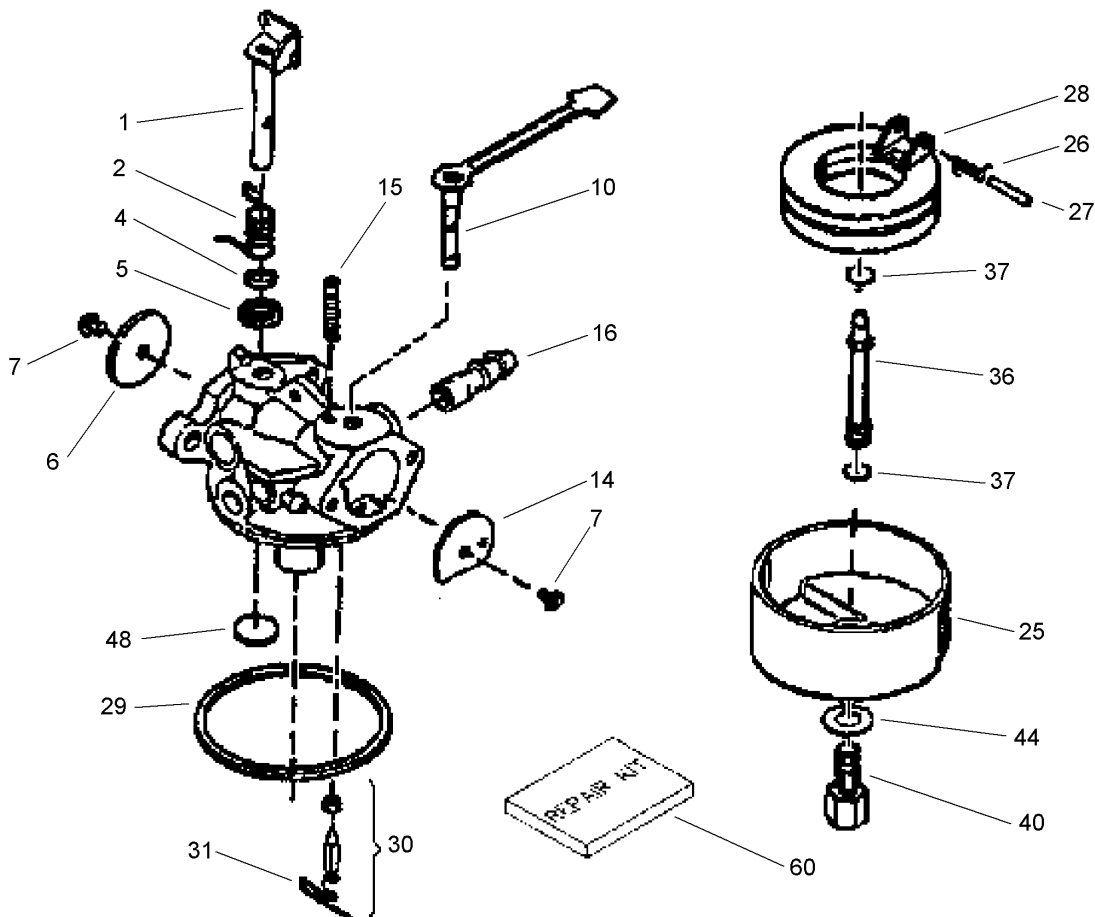
Tecumseh Hsk635 1723c



Engine Assembly

Tecumseh Hsk635 1723c

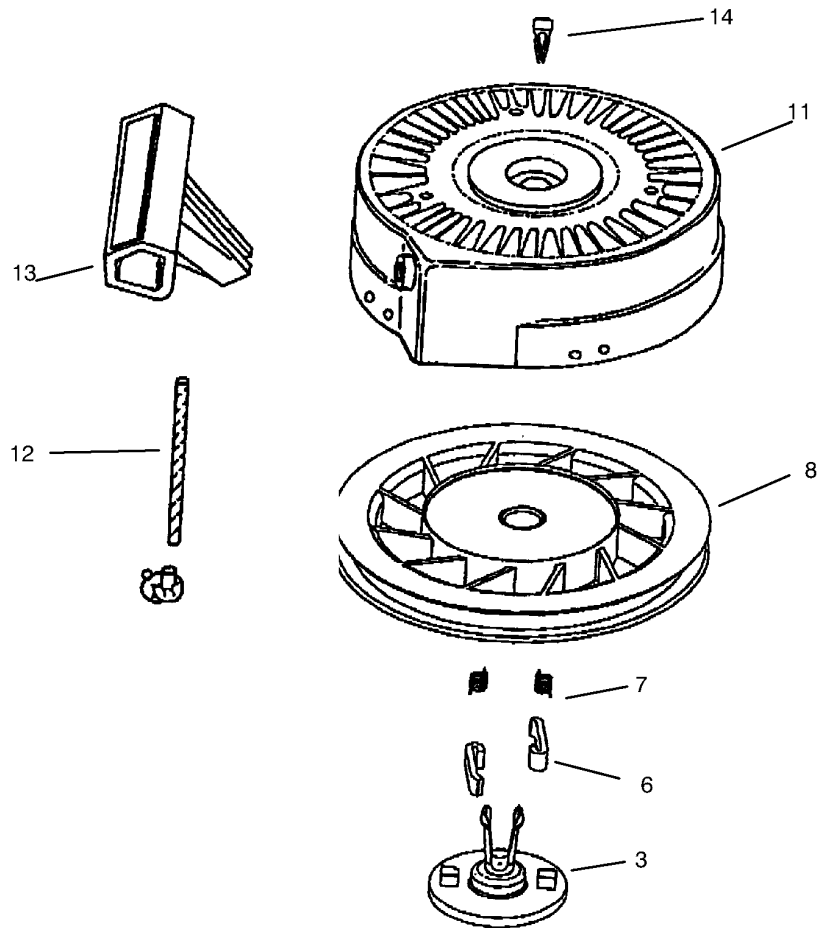
Ref	Part No.	Qty.	Description	Ref	Part No.	Qty.	Description
②16B	490291A	1	Vane-Air	②287	650926	3	Screw (8-32 X 21/64)
②19	570707	1	Spring-Extention	②325	29443	1	Clip-Wire
②24	530110	1	Bearing-Ball	②330	611131A	1	Harness-Wire
②29	530150	1	Needle Bearing And Liner Set (37 Needles)	②370A	36261	1	Decal-Lubrication
②29A	530104A	1	Bearing-Cartridge	②370K	36695	1	Decal-Starter
②30	290602	1	Crankshaft	②380	640086A	1	Carburetor
②33A	570644	1	Plate-Cover	②383	570434	1	Baffle-Carburetor
②34A	650579	4	Screw, T-25, 10-24 X 1/2"	②384	650431	2	Screw, T-25, 10-32 X 5/8"
②41	310283A	1	Piston And Pin ASM Piston & Pin Ass'y. (Incl. Ref. #43)	②390	590743	1	Rewind Starter ASM
②42	310289	2	Ring Set	②400	510324B	1	Gasket Set
②43	310167	2	Ring-Retaning	②420	730227B	1	2-Cycle Oil (8 Oz.)
②45	310235B	1	Connecting Rod ASM Piston And Pin ASM (Incl. Ref. #29, 29A, And 46)				
②46	650633	2	Bolt-Rod, Connecting				
②69	510292A	1	Gasket-Cover, Cylinder				
②69A	510323A	1	Gasket-Plate, Cover				
②75	510319	2	Seal-Oil				
②77	530105	1	Bearing-Cartridge				
②89A	611032	1	Sleve-Adapter				
②90	611066	1	Flywheel				
②92	650815	1	Washer-Belleville				
②93	650390	1	Nut-Flywheel				
②100	34443B	1	Solid State Ignition (Incl. Ref. #101)				
②101	610118	1	Cover-Spark Plug				
②103	651007	2	Screw (T-15, 10-24 X 15/16)				
②105A	650796	4	Stud				
②119	510274A	1	Gasket-Cylinder Head				
②120	250240B	1	Head-Cylinder				
②131	650477	5	Screw, T-30, 1/4-20 X 3/4"				
②135	611049	1	Plug-Spark, Resister (Rcj8Y)				
②163	650838	1	Washer				
②169	510325A	1	Cover-Compression Release				
②172A	570708	1	Cover-Compression Release				
②174	650579	1	Screw, T-25, 10-24 X 1/2"				
②177	650959	2	Screw, 5/32, 1/4-20 X 1"				
②184	510326A	2	Gasket-Carburetor				
②186	490322	1	Governor-Link				
②187	570438A	1	Spacer				
②216	570645	1	Lever-Adjusting, Rpm				
②239	35815	1	Gasket-Air Cleaner				
②257	650911	4	Screw, T-30, 1/4-20 X 5/8"				
②258	350422	1	Blower Housing Base (Incl. Ref. #75)				
②260	350437	1	Housing-Blower				
②261	650737	4	Screw, 1/4-20 X 1/2"				
②274	510207A	1	Gasket-Exhaust				
②275	390332	1	Muffler (Incl. Ref. #274 And 277)				
②277	650869	2	Screw, 1/4-20 X 2-3/4"				
②285	590551A	1	Cup-Starter				



Carburetor Assembly No. 640086 Tecumseh Hsk635 1723c

Ref	Part No.	Qty.	Description
①0	640086A	1	Carburetor (Incl. 184 Of Engine Parts List)
①1	632166A	1	Throttle Shaft And Lever Assembly
①2	632169	1	Spring-Trottle, Return
①4	631184	1	Washer-Seal, Dust
①5	631183	1	Seal-Dust, Throttle
①6	631616	1	Throttle-Shutter
①7	650506	2	Screw-Shutter
①10	632553	1	Choke Shaft And Lever Assembly
①14	31837	1	Shutter-Choke
①15	630735	1	Spring-Positioning, Choke
①16	632164	1	Fitting-Fuel
①25	631867	1	Bowl-Float
①26	632386	1	Spring-Float, Dampening
①27	631024	1	Shaft-Float
①28	632019	1	Float
①29	631028	1	O Ring-Bowl, Float
①30	631021	1	Inlet Needle, Seat And Clip (Incl. 31)
①31	631022	1	Clip-Spring
①36	640080	1	Tube-Nozzle, Main
①37	632547	2	O Ring-Tube, Main Nozzle
①40	640301	1	Nut-Bowl, High Speed
①44	27110A	1	Washer-Bowl

Ref	Part No.	Qty.	Description
①48	631027	1	Welch Plug-Atmospheric Vent
①60	632760	1	Repair Kit



Recoil Starter Assembly No. 590743 Tecumseh Hsk635 1723c

Ref	Part No.	Qty.	Description				
1	590743	1	Rewind Starter ASM				
3	590740	1	Retainer				
6	590616	2	Dog-Starter				
7	590617	2	Spring-Dog				
8	590645A	1	Pulley And Rewind Spring Assembly				
11	590643A	1	Starter Housing ASM				
12	590535	1	Rope-Starter (98In X 9/64In Diameter)				
13	590701	1	Handle-Starter				
14	590760	1	Clip-Spring				

