



Power Max 1028LXE Snowthrower

Model No. 38641 - 270000001 and up.

Parts Catalog

Ordering Replacement Parts

To order replacement parts, please supply the part number, the quantity, and the description of each part desired.

Understanding Reference Numbers

Each identified part in an illustration has a reference number. The reference number for a part also appears in the parts list, along with other information about the part.

This catalog uses two special reference number formats, one to indicate parts in a service assembly and another to indicate the quantity of a given part in an illustration.

Service Assembly Reference Numbers

Parts in service assemblies have reference numbers in the form a:b. The a represents the reference number of the entire service assembly and the b represents a sequential number unique to each part within the service assembly.

For example, a wheel assembly might be identified by reference number 6, the tire by 6:1, the valve by 6:2, and the wheel by 6:3. When you order the assembly identified by reference number 6, you receive all parts identified by reference numbers 6:1, 6:2, and 6:3. However, you may also order any part individually. Reference numbers of this type appear in illustrations and in part lists.

Reference Numbers Indicating Quantity

In an illustration, if a reference number indicates more than one part, the reference number has the form nX y. The n represents the quantity of the part, the X is the multiplication symbol, and the y represents the reference number.

For example, in an illustration, the reference number 2X 37 means that two of the parts identified by reference number 37 are indicated.

Contents

Description	Page	Description	Page
Auger and Housing Assembly 3	Engine Assembly No. 1 Tecumseh LH358SA-159626A 14
28 Inch Auger Gearcase Assembly No. 108-7329 4	Engine Assembly No. 2 Tecumseh LH358SA-159626A 16
Chute Assembly 5	Carburetor Assembly No. 640349 Tecumseh LH358SA-159626A 18
Frame Assembly 6	Electric Starter Assembly No. 37102 Tecumseh LH358SA-159626A 19
Handle and Control Assembly 8	Recoil Starter Assembly No. 590749 Tecumseh LH358SA-159626A 20
Handle Assembly 9	Recoil Starter Assembly No. 590733 (Optional) Tecumseh LH358SA-159626A 21
Lever Chute Control Assembly 10	Attachments and Accessories List 22
Engine Assembly 11		
Wheel Clutch Assembly 12		
Wheel Clutch Sprocket Assembly 13		

Part Description Abbreviations

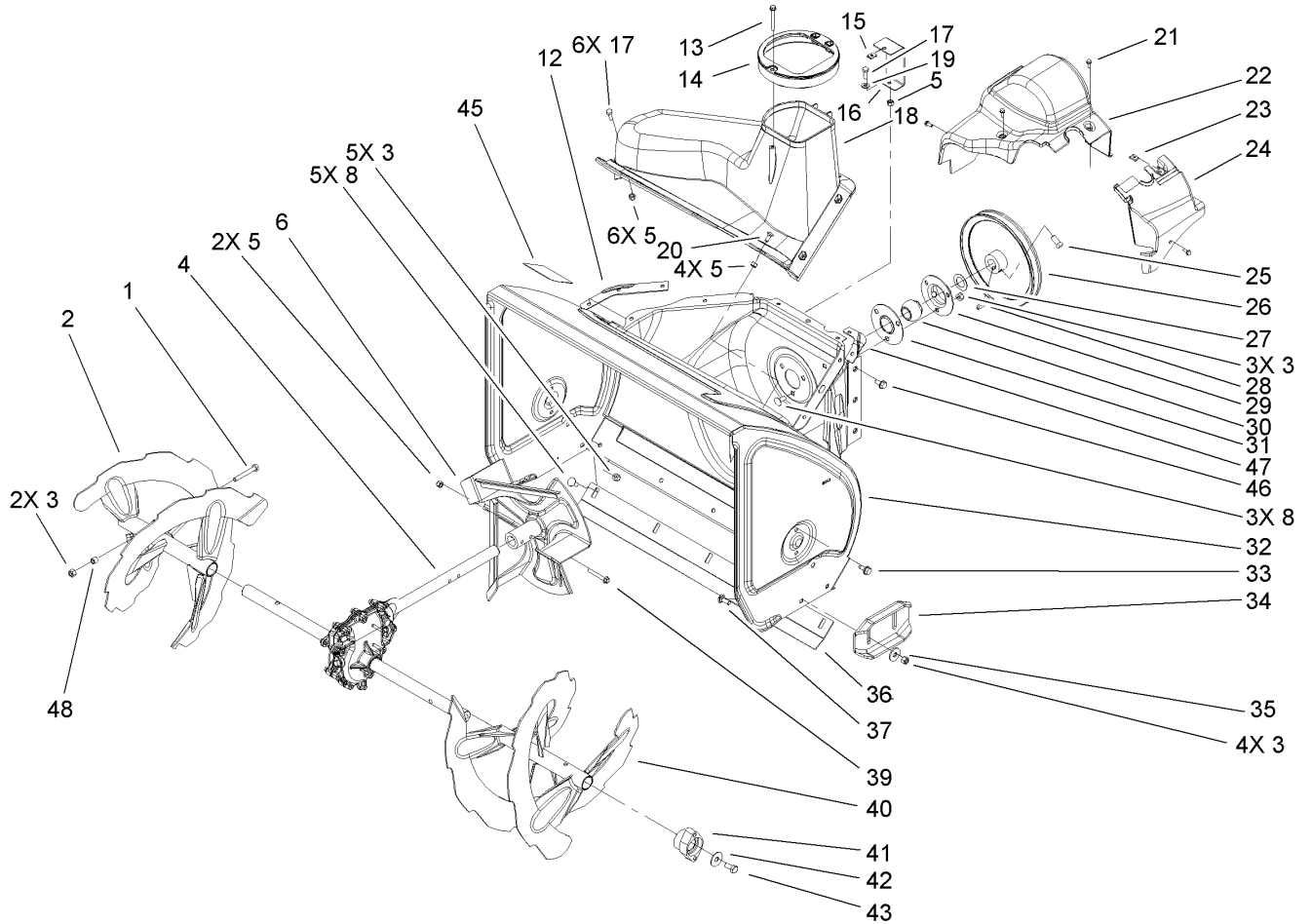
Part descriptions in this catalog may include the following abbreviations.

AR. as required	HYD. hydraulic
ASM. assembly	LH. left hand
BBC. blade brake clutch	NI. nylon insert
CARR. carriage	NPTF. national pipe thread fine
DEG. degrees	PFH. phillips flat head
EXT. external	PPH. phillips pan head
FH. flat head	PPHTF. phillips pan head thread forming
GA. gauge	PRH. phillips round head
HD. heavy-duty	PTH. phillips truss head
HF. hex flange	PTO. power-take-off
HH. hex head	RH. right hand
HHF. hex head flange	ROPS. roll-over protection system
HHFTF. hex head flange thread forming	SFH. slotted fillister head
HJ. hex jam	SHH. slotted hex head
HLH. hex lag head	SHWH. slotted hex washer head
HOC. height-of-cut	SPH. slotted pan head
HSBH. hex socket button head	SQH. square head
HSFH. hex socket flat head	SRH. slotted round head
HSH. hex socket head	STD. standard
HWH. hex washer head	TAP. self tapping
HWHTF. hex washer head thread forming	TTH. torx truss head

Footnotes

❶ Not serviced separately

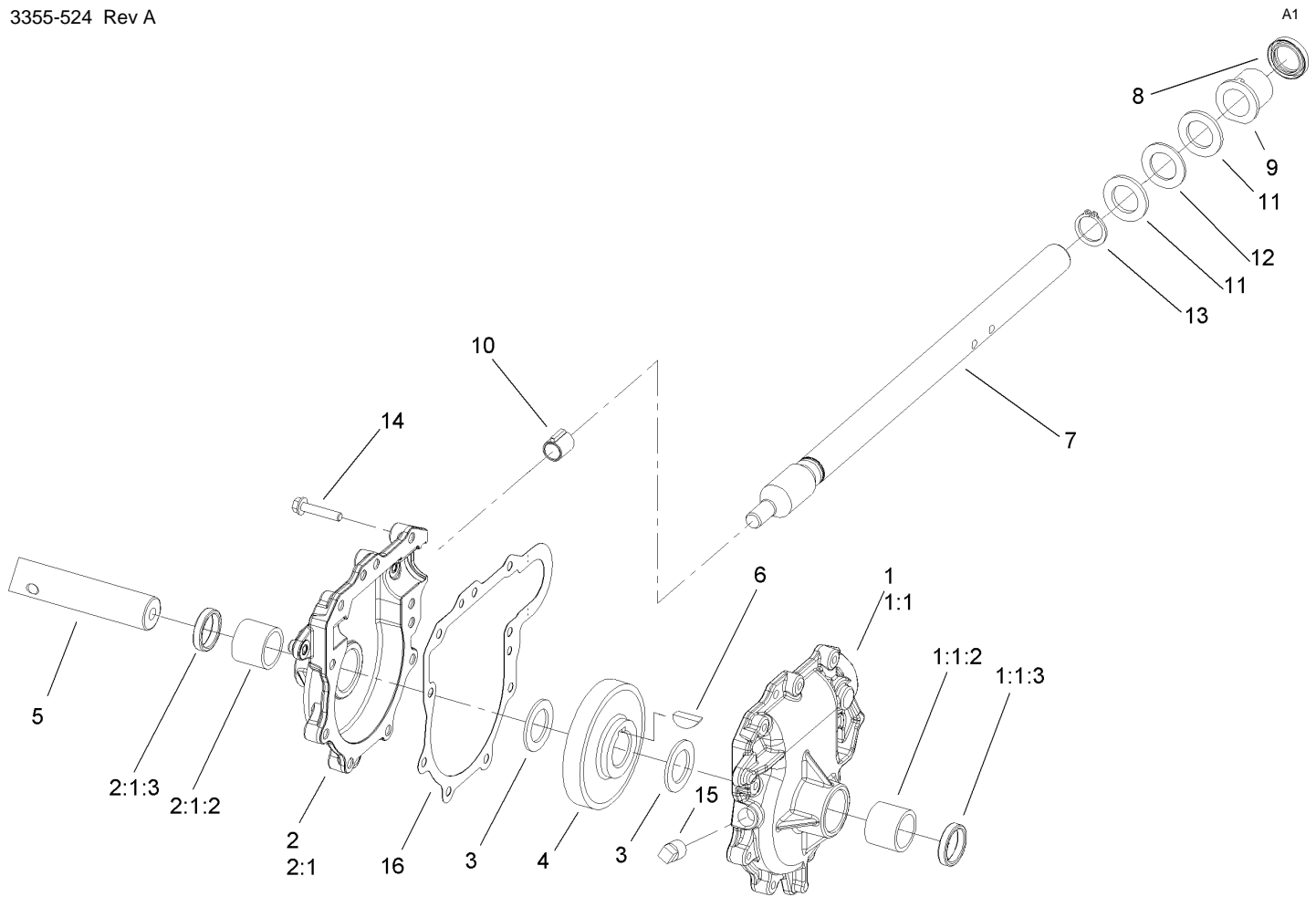
❷ Obtain from your local Tecumseh dealer



Auger and Housing Assembly

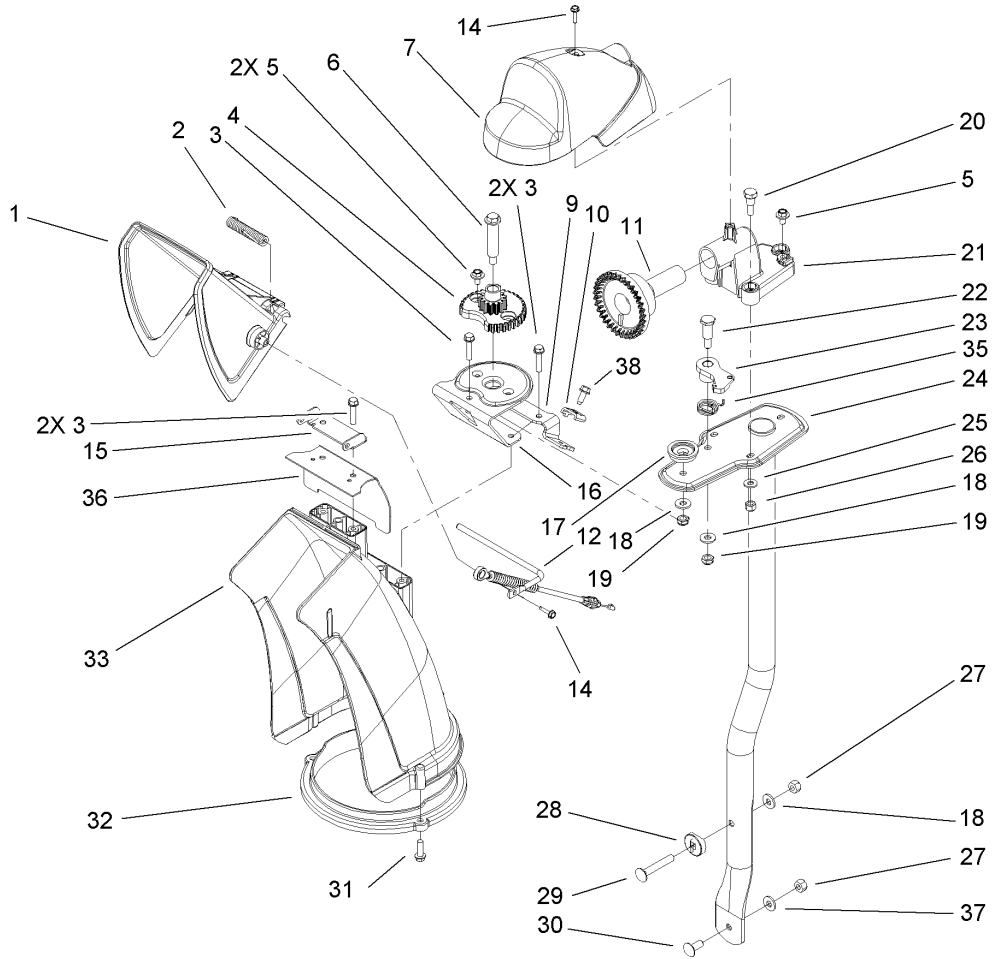
Ref	Part No.	Qty.	Description
1	322-11	2	Screw-HH
2	106-7291-03	1	Auger-RH
3	3296-29	14	Nut-Lock, NI
4	108-7329	1	28 Inch Auger Gearcase ASM
5	3296-42	13	Nut-Lock, NI
6	106-4576-03	1	Impeller ASM
8	3230-23	8	Screw-CARR
12	107-1017-03	1	Seal-Flange, Cover
13	107-3003	1	Screw-Plastite
14	107-3006	1	Guide-Chute
15	107-1013	1	Nut-Speed, U-Type
16	107-1014-03	1	Bracket-Cover, Clip Nut
17	321-4	7	Screw-HH
18	108-0017	1	Cover
19	3256-22	1	Washer-Flat
20	3229-1	4	Screw-CARR
21	32144-112	4	Screw-HWH
22	107-1001	1	Cover-Belt
23	701493	1	Nut-Speed
24	107-1016	1	Cover-Extension, Belt
25	3242-4	2	Screw-Set, SQH
26	62-1300	1	Pulley-Impeller
27	252-80	1	Washer-Thrust
28	3257-23	1	Key-Woodruff

Ref	Part No.	Qty.	Description
29	26-6110	1	Flange-Cup, Bearing
30	63-3450	1	Bearing-Ball
31	26-6120	1	Flange-Cup, Bearing
32	107-3824	1	Housing- Auger, 28 Inch
33	32144-70	4	Screw-HWHTF
34	106-4588-01	2	Skid
35	52-2861	4	Washer
36	106-4573-01	1	Scraper-Fixed
37	3230-16	4	Screw-CARR
39	321-44	2	Screw-HHF
40	106-7301-03	1	LH Auger ASM
41	106-4570	2	Auger-Bearing
42	3-0750	2	Washer
43	323-4	2	Screw-HH
45	107-3040	1	Decal-Danger, Auger
46	32144-14	6	Screw-HWH
47	108-0039-03	1	Seal
48	1-633545	2	Spacer



28 Inch Auger Gearcase Assembly No. 108-7329

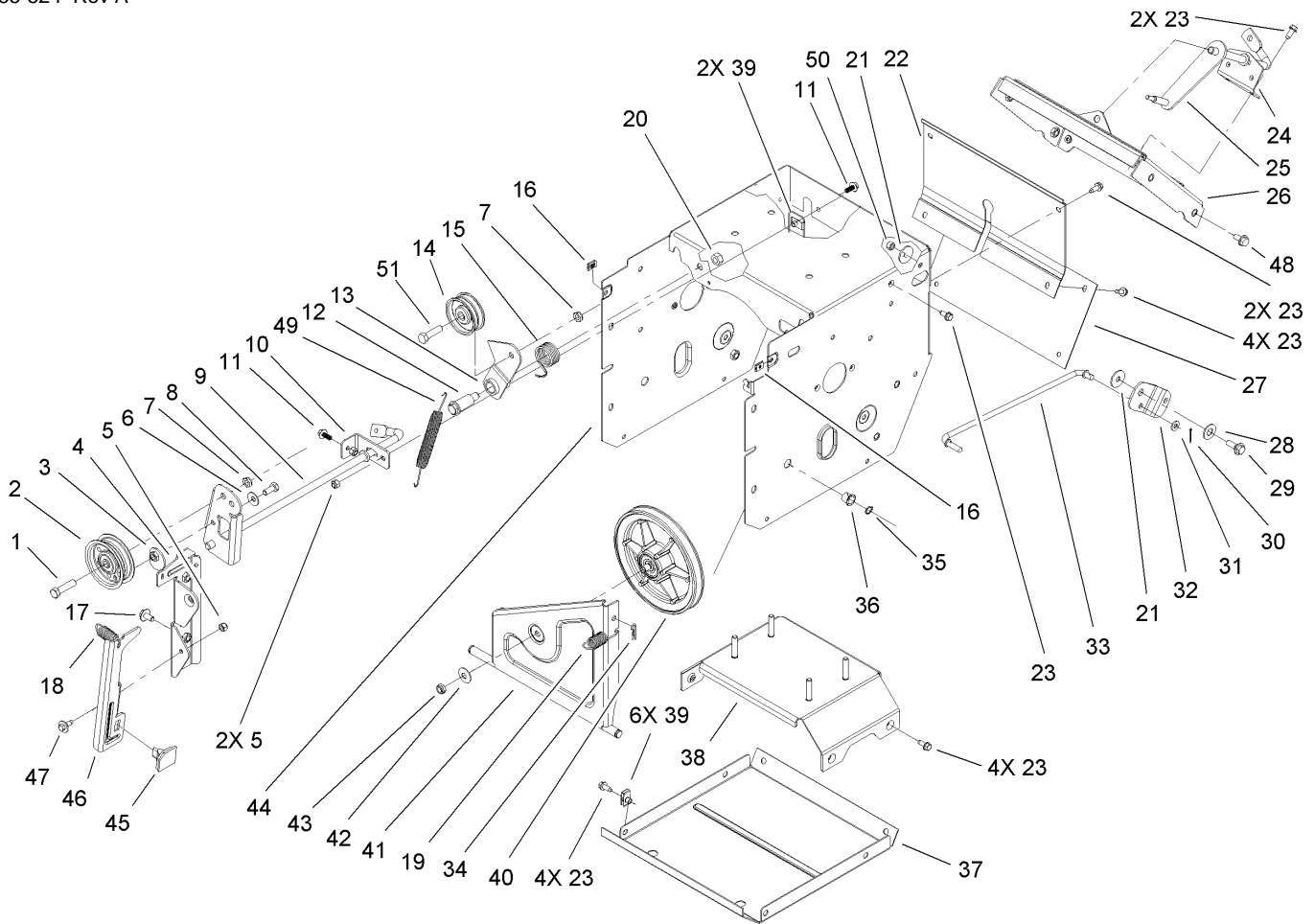
Ref	Part No.	Qty.	Description
1	108-7325	1	LH Auger Gearcase ASM
1:1:1		1	Gearcase-Auger, LH
1:1:2	112-6635	1	Bushing-Sleeve
1:1:3	7-0045	1	Seal-Oil
2	108-7327	1	RH Auger Gearcase ASM
2:1		1	Gearcase-Auger, RH
2:1:2	112-6635	1	Bushing-Sleeve
2:1:3	7-0045	1	Seal-Oil
3	252-71	2	Washer-Thrust
4	62-0120	1	Gear-Helical
5	106-4421	1	Shaft-Auger
6	3257-10	1	Key-Woodruff
7	66-7811	1	Shaft-Impeller
8	253-149	1	Seal-Oil
9	37-6560	1	Bushing-Input
10	62-1150	1	Bushing-Worm
11	252-78	2	Bearing-Thrust
12	252-76	1	Bearing-Thrust
13	32151-33	1	Ring-Retaining, EXT
14	108-4862	9	Screw-HWHTF
15	281-1	1	Plug-Pipe, SQH
16	108-7330	1	Gasket-Gearcase, Auger



Chute Assembly

Ref	Part No.	Qty.	Description
1	112-6629	1	Deflector-Chute, Ce
2	106-4594	1	Spring-Torsion
3	46-8092	5	Screw-Plastite
4	106-4472	1	Gear-Chute
5	46-6810	3	Screw And Washer ASM
6	100-9880	1	Bolt-Shoulder
7	106-4585	1	Cover-Gear, Chute
9	106-7296	1	Bracket-Cable, Clamp
10	106-7297	1	Clamp-Cable
11	106-4471	1	Gear-Face
12	107-1021	1	Rod-Deflector
14	98-1375	2	Screw-HWH
15	106-7266	1	Bracket-Deflector
16	106-4582-03	1	Bracket-Support, Chute
17	106-4422	1	Spacer-Chute
18	3256-2	3	Washer-Flat
19	3296-47	2	Nut-Lock, NI
20	106-7276	3	Screw-Shoulder
21	106-7257	1	Mount-Gear, Face
22	63-2650	1	Screw-Shoulder
23	106-4476	1	Latch-Chute
24	106-7253-03	1	Tube-Support
25	3256-22	3	Washer-Flat
26	3296-42	3	Nut-Lock, NI

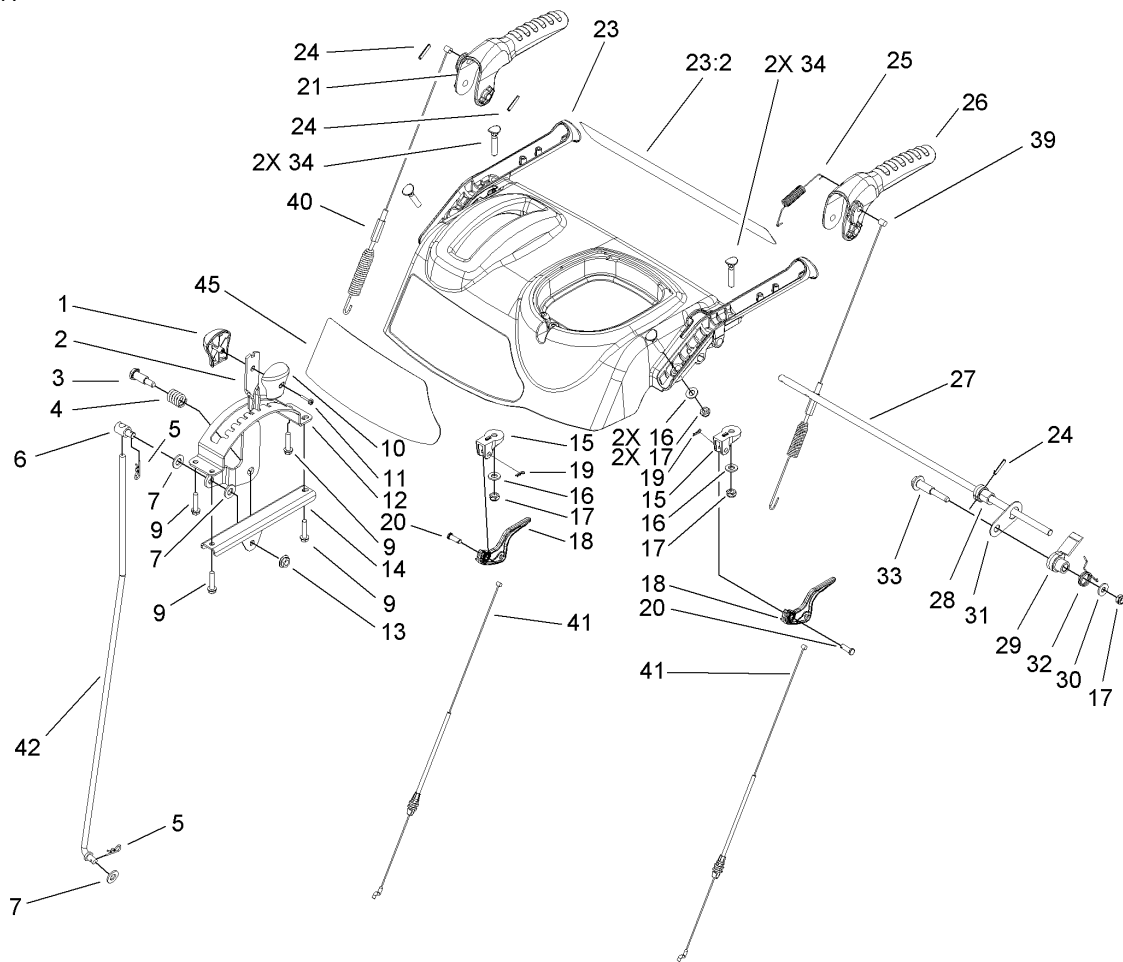
Ref	Part No.	Qty.	Description
27	3296-29	2	Nut-Lock, NI
28	106-7260	1	Washer-Curved
29	3230-5	1	Screw-CARR
30	3230-23	1	Screw-CARR
31	46-8091	3	Screw-HWH
32	105-9991	1	Ring-Chute
33	106-4440	1	Chute-Discharge
35	108-7315	1	Spring-Torsion
36	108-5052	1	Seal-Chute
37	3290-456	1	Washer-Belleville
38	32144-10	1	Screw-HWH



Frame Assembly

Ref	Part No.	Qty.	Description
1	323-8	1	Screw-HH
2	92-7104	1	Pulley-Idler
3	107-1047	1	Nut
4	107-1039	1	Bracket-Idler, Impeller
5	3296-42	3	Nut-Lock, NI
6	3290-456	1	Washer-Belleville
7	3296-59	2	Nut-Lock, NI
8	322-3	1	Screw-HH
9	107-3838-03	1	Impeller Clutch ASM
10	106-7341	1	Bracket-Rear, Clutch
11	99-6810	2	Screw-HH
12	108-5056	1	Bolt-Shoulder
13	108-5058	1	Arm-Idler, Traction
14	3-4244	1	Pulley-Idler
15	108-7332	1	Spring-Torsion
16	107-1013	2	Nut-Speed, U-Type
17	3234-7	2	Screw-HHF
18	107-1045	1	Spring-Extension
19	107-1003	1	Spring-Extension
20	3296-76	1	Nut-Lock, NI
21	5-4460	2	Washer-Pivot
22	108-0022-01	1	Cover-Upper
23	32144-10	17	Screw-HWH
24	108-0036	1	Bracket-Rod, Shift

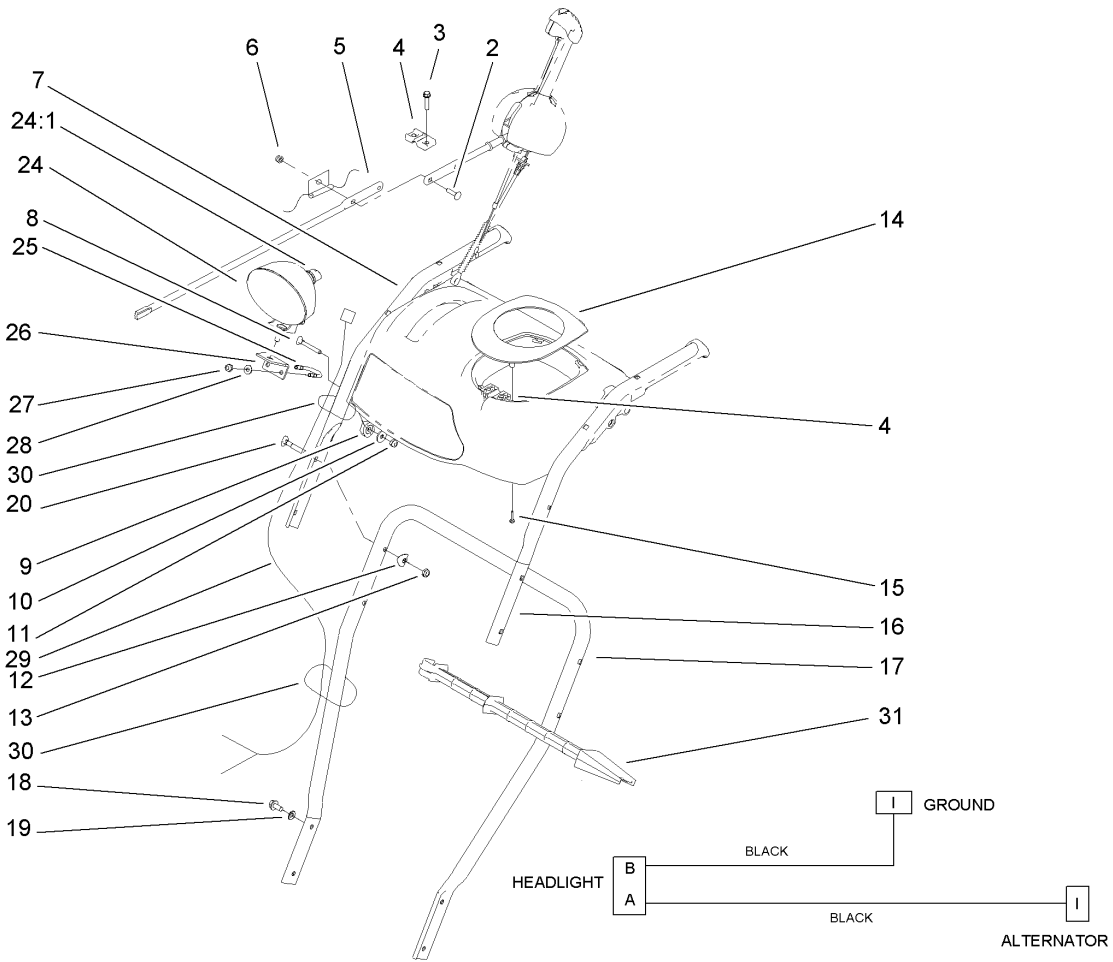
Ref	Part No.	Qty.	Description
25	106-7268	1	Lever-Control, Traction
26	108-0026-01	1	Shift Plate ASM
27	106-7345-01	1	Cover-Lower
28	25-5640	1	Washer
29	27-0410	1	Screw-Shoulder
30	3272-4	1	Pin-Cotter
31	3256-23	1	Washer-Flat
32	107-1011	1	Bellcrank-Drive
33	106-4467	1	Link-Control, Speed
34	3290-307	1	Pin-Hair
35	32151-61	2	Ring-Retaining
36	256-257	2	Bushing-Nyliner
37	106-7330-01	1	Pan-Bottom
38	106-7315	1	Brace Frame ASM
39	107069	8	Clip
40	108-0031	1	Traction Pulley ASM
41	108-7307	1	Friction Wheel Bracket ASM
42	3290-340	1	Washer-Belleville
43	3296-5	1	Nut-Lock
44	108-0019-01	1	Traction Frame ASM
45	66-8060	1	Pad-Brake
46	107-1000	1	Arm-Brake
47	92-9698	1	Screw-Shoulder
48	32144-14	4	Screw-HWH



Handle and Control Assembly

Ref	Part No.	Qty.	Description
1	106-4423	1	Knob-Shift, RH
2	106-7278-03	1	Selector-Speed
3	63-2650	1	Screw-Shoulder
4	108-7313	1	Spring-Compression
5	3290-307	2	Pin-Hair
6	110-3446	1	Trunion-Rod
7	3256-24	3	Washer-Flat
9	46-8092	4	Screw-Plastite
10	105-9999	1	Knob-Shift, LH
11	94-4496	1	Screw-PPH
12	106-7277-03	1	Guide-Selector, Speed
13	32128-13	1	Nut-HF
14	106-7279-03	1	Mount-Selector, Speed
15	105-9980	2	Mount-Clutch, Lever
16	3256-70	4	Washer-Flat
17	3296-72	5	Nut-Lock, NI
18	106-4505	2	Lever-Clutch
19	108-2992	2	Pin-Hair
20	1-808265	2	Pin-Clevis
21	106-4413	1	Lever-Auger
23	112-6633	1	Panel-Control
23:2	112-6627	1	Decal-Back, Control Panel
24	32121-125	3	Pin-Spring
25	107-3001	1	Spring-Tension

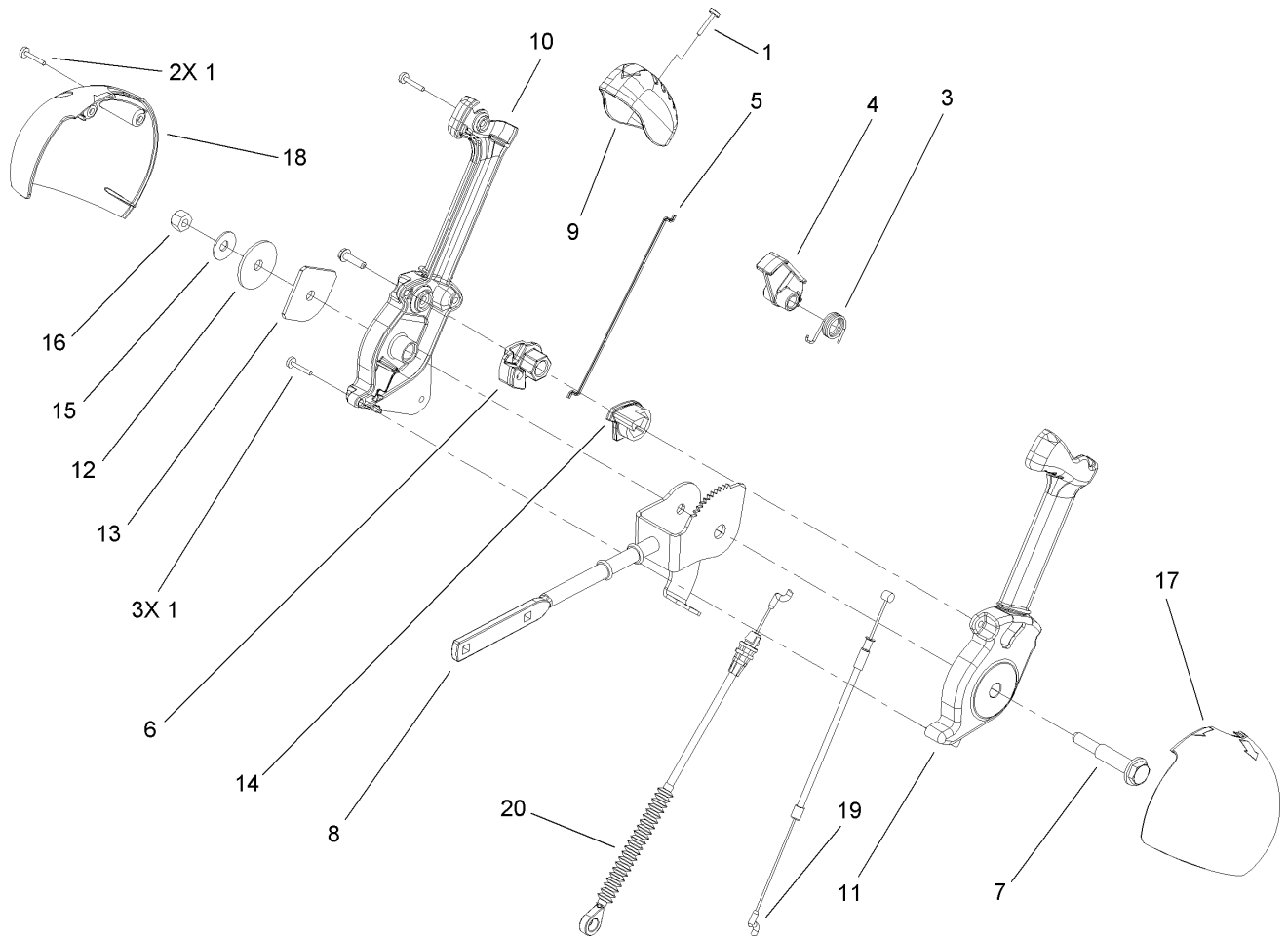
Ref	Part No.	Qty.	Description
26	106-4410	1	Lever-Traction
27	105-9996	1	Rod-Lockout
28	107-1043	1	Cam-Lockout
29	108-0023	1	Latch-Lockout
30	98-3499	1	Washer-Flat
31	107-3000	1	Link-Lockout
32	108-0024	1	Spring-Torsion
33	106-4412	1	Screw-Shoulder
34	107-3018	4	Screw-Handle
39	106-4563	1	Cable-Traction
40	106-4599	1	Cable-Auger
41	107-8896	2	Cable-Clutch
42	107-1005	1	Rod-Shift
45	108-2965	1	Decal



Handle Assembly

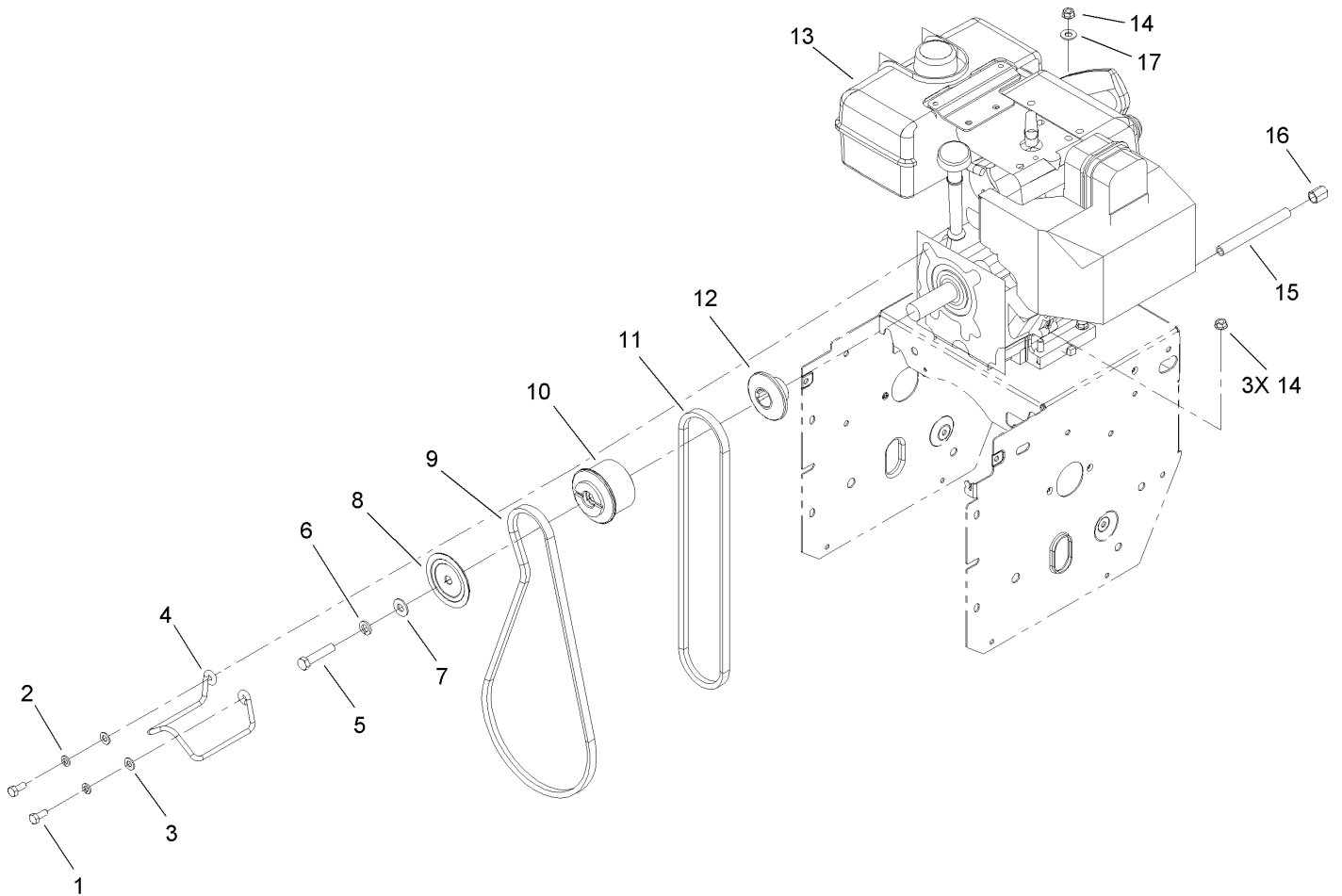
Ref	Part No.	Qty.	Description
2	3229-30	2	Screw-CARR
3	46-8092	2	Screw-Plastite
4	105-9987	2	Support-Rod
5	106-7283	1	Rod-Chute, Front
6	3296-73	2	Nut-Lock, NI
7	108-0038-03	1	Handle-Upper, RH
8	95-4453	2	Screw
9	106-4509	2	Clamp-Cable
10	87-6630	2	Washer-Plain
11	3296-73	2	Nut-Lock, NI
12	107-3844	4	Washer
13	3296-72	4	Nut-Lock, NI
14	106-4586	1	Cover-Panel, Control
15	94-4496	2	Screw-PPH
16	108-0037-03	1	Handle-Upper, LH
17	105-9981-03	1	Handle-Lower
18	32144-14	4	Screw-HWH
19	3290-475	4	Washer-Belleville
20	92-2260	4	Screw-Handle
24	106-4510	1	Headlamp ASM
24:1	108-0008	1	Lamp-12 Volt
25	107-3024	1	Clamp-Light
26	107-1020-03	1	Bracket-Light
27	3296-73	2	Nut-Lock, NI

Ref	Part No.	Qty.	Description
28	3256-1	2	Washer-Flat
29	106-4511	1	Harness-Wire
30	614249	2	Strap-Tie
31	110-3408	1	Stick-Cleanout



Lever Chute Control Assembly

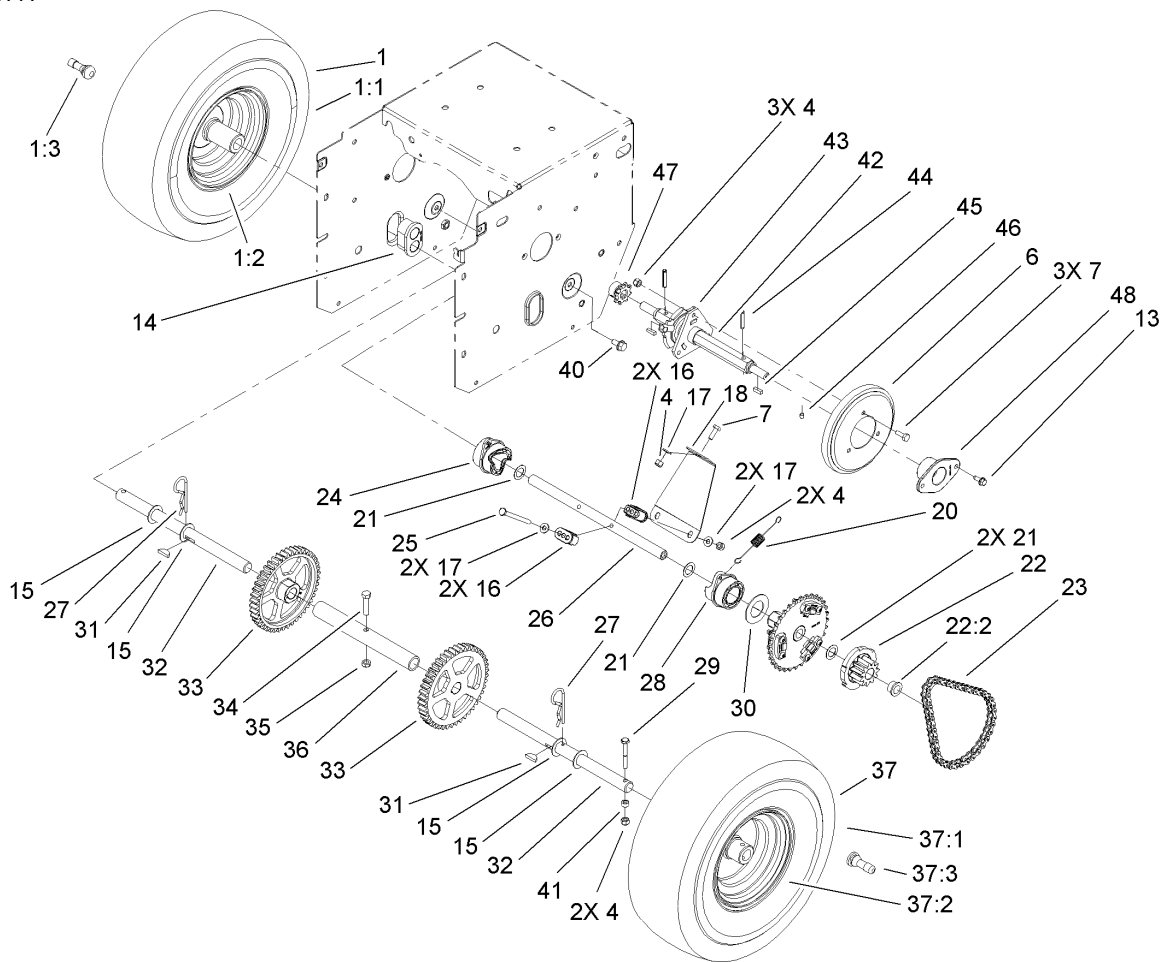
Ref	Part No.	Qty.	Description
1	94-4496	6	Screw-PPH
3	105-9982	1	Spring-Torsion
4	105-9984	1	Trigger-Latch
5	105-9985	1	Link-Latch
6	105-9988	1	Lever-Cable, Deflector
7	105-9995	1	Screw-Shoulder
8	106-4479	1	Rod-Control, Chute
9	106-7280	1	Cap-Lever
10	106-7281	1	Lever-Chute Control, RH
11	106-7282	1	Lever-Chute Control, LH
12	107-3002	1	Washer-Nylon
13	106-7295	1	Plate-Friction
14	106-7310	1	Pawl-Latch
15	3290-456	1	Washer-Belleville
16	3296-29	1	Nut-Lock, NI
17	105-9986	1	Cover-Chute Lever, LH
18	106-7292	1	Cover-Chute Lever, RH
19	105-9989	1	Cable-Release, Chute
20	105-9990	1	Cable-Control, Deflector



Engine Assembly

Ref	Part No.	Qty.	Description
1	3210-3	2	Screw-HH
2	3253-4	2	Washer-Lock
3	3256-23	2	Washer-Flat
4	107-3835	1	Guide-Belt
5	3212-8	1	Screw-HH
6	3253-6	1	Washer-Lock
7	3256-4	1	Washer-Flat
8	62-0940	1	Sheave-Half, Impeller
9	106-4498	1	Belt-V
10	106-7333	1	Pulley-Engine, Center
11	94-8812	1	V Belt-Traction
12	106-7334	1	Sheave-Half, Traction
13		1	Engine-Tecumseh, LH358Sa-159629A
14	32128-20	4	Nut-HF
15	289-34	1	Nipple-Pipe
16	288-2	1	Cap-Pipe
17	3256-2	1	Washer-Flat

--	--	--	--



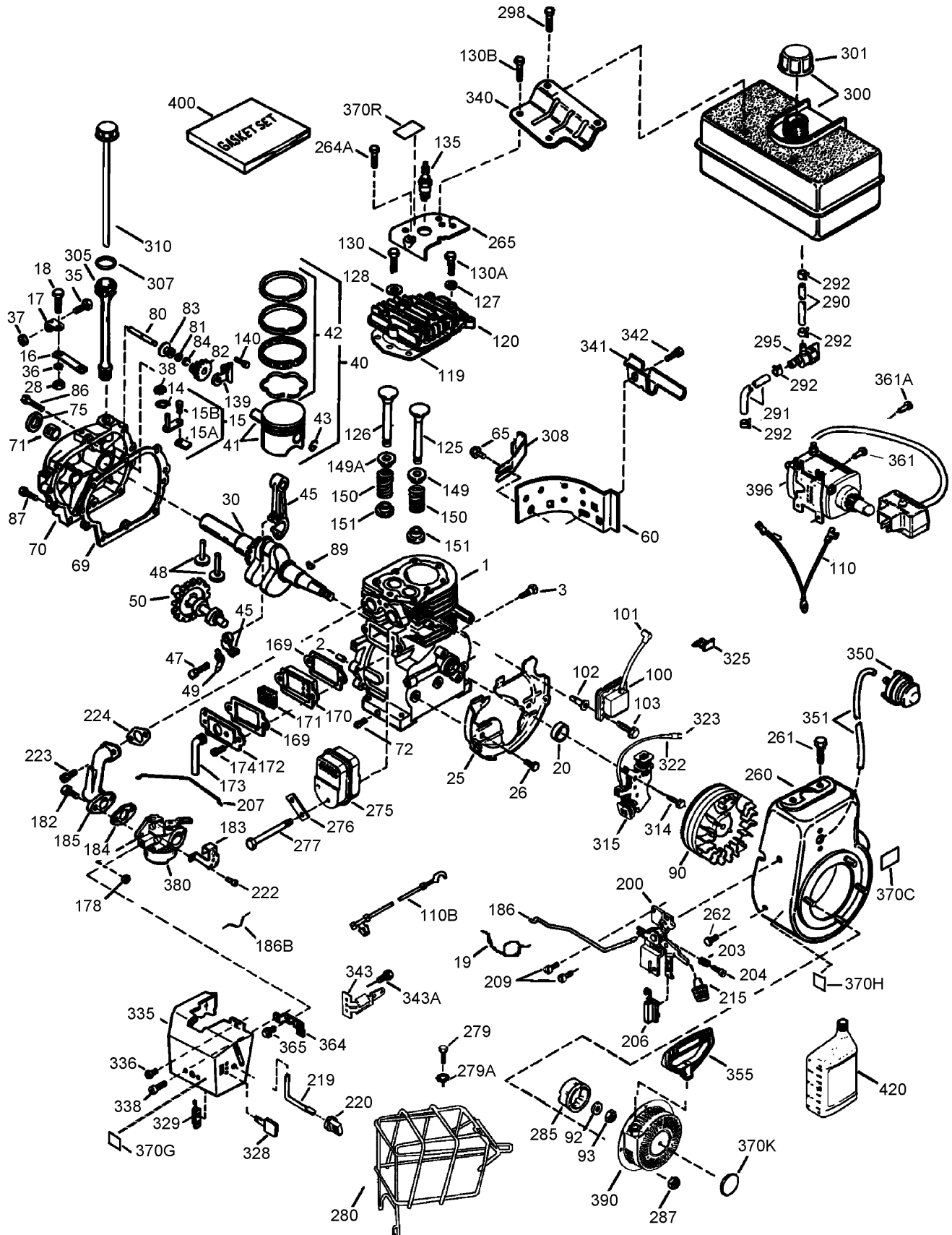
Wheel Clutch Assembly

Ref	Part No.	Qty.	Description
1		1	RH Wheel And Tire ASM
1:1	107-3042	1	Tire
1:2	107-3043	1	Rim-Tire
1:3	232-27	1	Stem-Valve
4	3296-42	8	Nut-Lock, NI
6	106-4480	1	Wheel-Friction
7	321-4	4	Screw-HH
13	32144-10	4	Screw-HWH
14	106-4558	2	Bearing-Axle
15	3-8664	4	Washer-Thrust
16	107-8889	4	Guide-Collar
17	3256-22	5	Washer-Flat
18	107-8892-03	1	Brace-Collar, Shift
20	107-8893	2	Spring-Extension
21	108-0015	4	Washer-Flat
22	107-8894	2	11T Gear ASM
22:2	108-2973	2	Bushing-Flange
23	108-0016	2	Chain-Roller
23	2710-6	2	Link-Connecting
24	107-8888	1	Collar-Shift, RH
25	321-23	2	Screw-HH
26	107-8883	1	Shaft-Intermediate
27	3290-343	2	Pin-Hair
28	107-8887	1	Collar-Shift, LH

Ref	Part No.	Qty.	Description
29	108-2975	2	Screw-HH
30	107-8891	2	Washer-Thrust
31	3257-7	2	Key-Woodruff
32	107-8898	2	Shaft-Axle
33	106-4572	2	Gear-Axle, 44 Tooth
34	322-17	1	Screw-HH
35	3296-47	1	Nut-Lock, NI
36	106-7259	1	Tube-Axle
37		1	LH Wheel And Tire ASM
37:1	107-3042	1	Tire
37:2	107-3043	1	Rim-Tire
37:3	232-27	1	Stem-Valve
40	32144-14	2	Screw-HWH
41	55-9370	2	Spacer-Blade, Rotor
42	108-7314	1	Shaft-Hex
43	106-4434	1	Trunion-Hex
44	32121-9	2	Pin-Roll, Slotted
45	94-8850	2	Key-Square
46	3245-32	4	Screw-HSH
47	106-7317	2	Sprocket-8 Tooth
48	108-7319	2	Retainer-Bearing

Engine Assembly No. 1

Tecumseh LH358SA-159626A



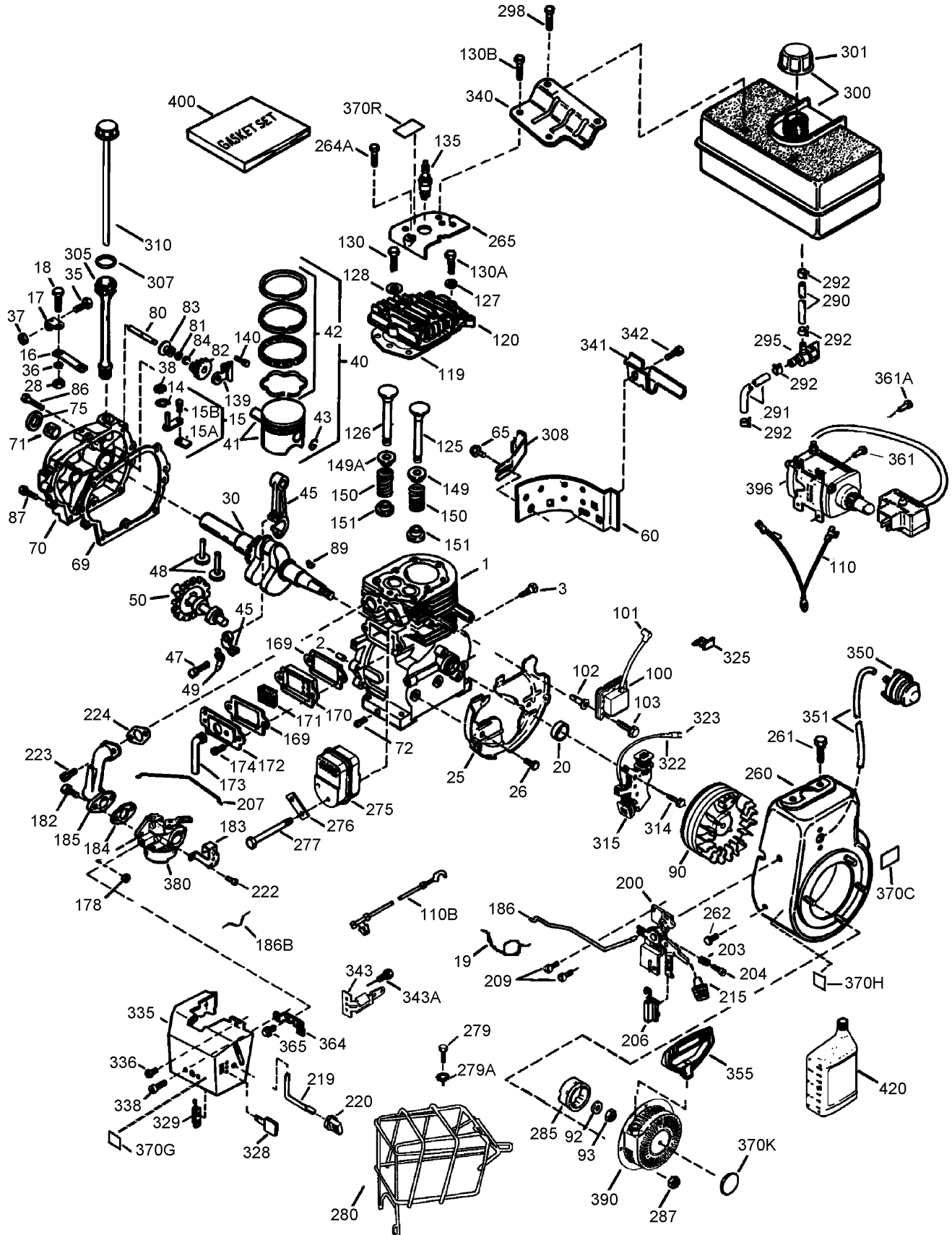
Engine Assembly No. 1

Tecumseh LH358SA-159626A

Ref	Part No.	Qty.	Description	Ref	Part No.	Qty.	Description
21	35371	1	Cylinder ASM (Includes 2, 20, 72)	286	650833	7	Screw (1/4-20X1-3/16)
22	27652	2	Pin-Dowel	287	650832	1	Screw (1/4-20X1-11/16)
23	650820	2	Screw (1/4-20X1/2)	289	32589	1	Key-Flywheel
214	28277	1	Washer-Flat	290	611093	1	Flywheel ASM
215	30699C	1	Rod-Governor (Includes 15A, 15B)	292	650880	1	Washer-Belleville
215A	30700	1	Yoke-Governor	293	650881	1	Nut-Flywheel
215B	650494	1	Screw (6-40X5/16)	2100	35135A	1	Ignition-State, Solid (Includes 101)
216	33454A	1	Lever-Governor	2101	610118	1	Cover-Spark Plug
217	29916	1	Clamp-Lever, Governor	2102	651024	2	Stud-Mounting, Solid State
218	651028	1	Screw (T-15 8-32X7/16)	2103	651007	2	Screw (T-15 10-24X15/16)
219	34663	1	Spring-Throttle	2110	35187	1	Wire-Ground
220	35319	1	Seal-Oil	2110B	37047	1	Wire-Ground (10.50 With Male And Female Flag Terminals)
225	37853	1	Baffle-Housing, Blower	2119	36451	1	Gasket-Head, Cylinder
226	650561	2	Screw (1/4-20X19/32)	2120	36449	1	Head-Cylinder
228	30322	1	Nut-Lock (8-32)	2125	27878A	1	Valve-Exhaust (STD) (Includes 151)
230	35571A	1	Crankshaft	2125	27880A	1	Valve-Exhaust (1/32In Os) (Includes 151)
235	29826	1	Screw (10-32X3/4)	2126	34035	1	Valve-Intake (STD) (Includes 151)
236	29918	1	Washer-Lock (#8)	2127	650691	5	Washer
237	29216	1	Nut-Lock (10-32)	2128	650690	3	Washer-Belleville
238	29642	1	Ring-Retaining	2130	6021A	4	Screw (5/16-18X1-1/2)
240	35776A	1	Piston Pin And Ring ASM (STD)	2130A	650727	2	Screw (5/16-18X1-25/32)
240	35777A	1	Piston Pin And Ring ASM (.010)	2130B	651055	2	Screw (5/16-18X39/64)
240	35778A	1	Piston Pin And Ring ASM (.020)	2135	35395	1	Spark Plug-Resistor (R J19 L M)
241	35773A	1	Piston And Pin ASM (STD) (Includes 43)	2139	33369	1	Bracket-Gear, Governor
241	35774A	1	Piston And Pin ASM (.010) (Includes 43)	2140	650836	2	Screw (10-24X1/2)
241	35775A	1	Piston And Pin ASM (.020In Os) (Includes 43)	2149	27882	1	Cap-Spring, Valve
242	35779	1	Ring Set (STD)	2149A	35862	1	Cap-Spring, Valve
242	35780	1	Ring Set (.010)	2150	27881	2	Spring-Valve
242	35781	1	Ring Set (.020)	2151	32581	2	Keeper-Spring, Valve
243	35772	2	Retaining Ring-Piston Pin	2169	27896A	1	Gasket-Cover, Valve
245	36898	1	Connecting Rod ASM (Includes 47, 49)	2170	28423	1	Body-Breather
247	651033	2	Bolt-Rod, Connecting	2171	28424	1	Element-Breather
248	34034	2	Lifter-Valve	2172	28425	1	Cover-Valve
249	36896	1	Dipper-Oil	2173	35350	1	Tube-Breather
250	35375	1	Camshaft (Mcr)	2174	650128	2	Screw (10-24X1/2)
260	33273A	1	Extension-Housing, Blower	2178	29752	4	Nut And Lock Washer (1/4-28)
265	650128	2	Screw (10-24X1/2)	2182	30088A	2	Screw (1/4-28X1)
269	37342	1	Gasket-Cover, Cylinder	2183	34587A	1	Bracket-Choke
270	37847	1	Cover-Cylinder (Includes 71, 75, 80-84)	2184	33263	1	Gasket-Carburetor To Intake Pipe
271	35377	1	Bushing-Crankshaft	2185	33877	1	Pipe-Intake
272	27642	1	Plug-Drain, Oil (SQH, 1/4-18)	2186	34667	1	Link-Governor
275	35319	1	Seal-Oil	2186B	36652	1	Spring-Choke
280	37587	1	Shaft-Governor	2200	34677	1	Bracket-Control (Includes 203, 204)
281	651080	1	Washer	2203	31342	1	Spring-Compression
282	37588	1	Governor Gear ASM (Includes 81)	2204	651029	1	Screw (T-10 5-40X7/16)
283	30588A	1	Spool-Governor	2206	610973	1	Terminal
284	29193	1	Ring-Retaining	2207	33878	1	Link-Throttle
				2209	650821	2	Screw (10-32X1/2)

Engine Assembly No. 2

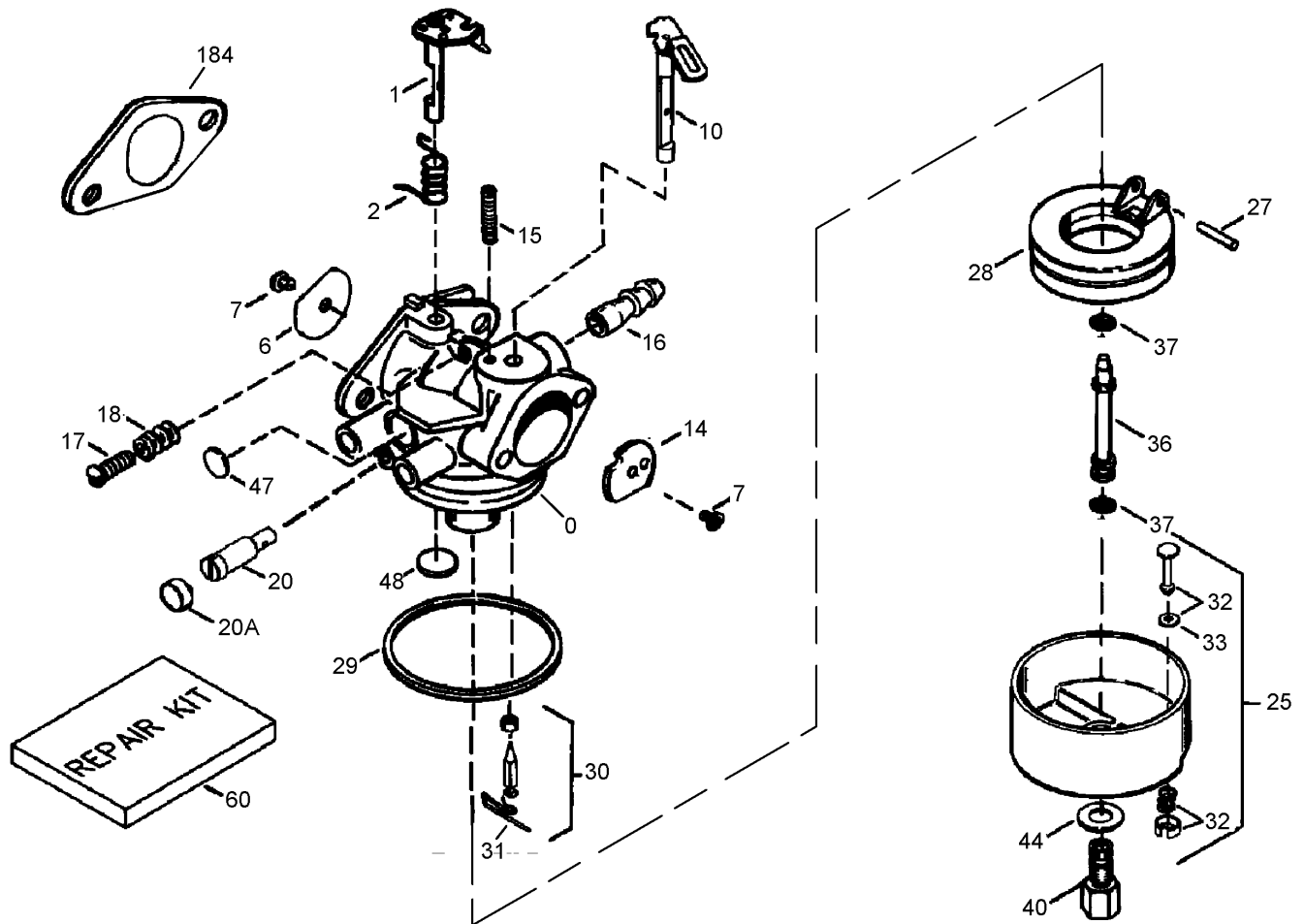
Tecumseh LH358SA-159626A



Engine Assembly No. 2

Tecumseh LH358SA-159626A

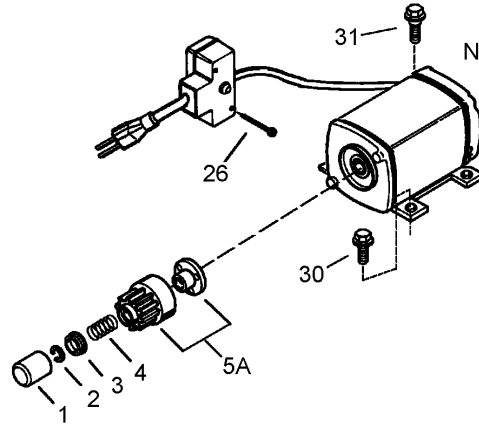
Ref	Part No.	Qty.	Description	Ref	Part No.	Qty.	Description
209	650821	2	Screw (10-32X1/2)	355	590574	1	Handle-Starter, Mitten Grip
215	35440	1	Knob-Control	361	650990	2	Screw (T-30 1/4-20X15/32)
219	34586	1	Rod-Choke	361A	650819	2	Screw (6-32X2-1/2)
220	35438	1	Knob-Control	364	37659	1	Bracket-Cover, Carburetor
222	28820	2	Screw (10-32X1/2)	365	650767	2	Screw (8-32X27/64)
223	650378	2	Screw (T-30 5/16-18X1-3/32)	370C	36501	1	Decal-Primer, International Symbol
224	27915A	1	Gasket-Pipe, Intake	370G	36534	1	Decal
260	35447A	1	Housing-Blower	370H	35077	1	Decal-Speed Control And Choke
261	650788	1	Screw (5/16-18X3/4)	370K	36695	1	Decal-Tecumseh (Logo For Top Of Recoil Starter)
262	651084	2	Screw (5/16-18X9/16)	370R	37119	1	Decal-Warning (Bilingual)
264A	650802	1	Screw (1/2-20X5/8)	380	640349	1	Carburetor ASM (Includes 184)
265	33272D	1	Cover-Head, Cylinder (Black)	390	590749	1	Starter-Rewind (Note: This Engine Could Have Been Built With Starter 590733)
275	35056	1	Muffler	396	37102	1	220 Volt Electric Motor ASM
276	31588	1	Plate-Locking	400	36452B	1	Gasket Set (Includes 69, 119, 169, 184, 224)
277	651002	2	Screw (5/16-18X4-3/16)	420	730226A	1	Oil-Sae 5W30 (Quart)
278	650147	2	Washer-Flat				
279	650980	2	Screw (10-16 X 47/64)				
279A	650979	2	Washer-Lock				
280	36294	1	Muffler Heat Shield ASM (Includes 278, 279, 279A)				
285	35985C	1	Cup-Starter				
287	29752	4	Nut And Lock Washer (1/4-28)				
290	30705	1	Line-Fuel				
291	29774	1	Line-Fuel (1.5In)				
292	26460	4	Clamp-Line, Fuel				
295	35857	1	Valve-Shut-Off, Fuel (Incl Ref #292)				
298	650665	2	Screw (1/4-15X7/8)				
300	34156A	1	Tank-Fuel (Includes 292, 301)				
301	37844	1	Cap-Fuel (Black) (1-1/2 Id)				
305	36877	1	Tube-Fill, Oil				
307	35499	1	O-Ring				
308	35539	1	Clip-Tube, Fill				
310	37869	1	Dipstick				
314	650873	1	Screw (1/4-20 X 3/4In)				
315	611111	1	Coil-Alternator, 18 Watt (Includes 322, 323)				
322	611117	1	Body-Connector				
323	611118	1	Terminal				
325	29443	1	Clip-Wire				
328	35062	2	Key-Ignition				
329	610973	1	Terminal				
335	36547	1	Cover-Carburetor (Black)				
336	650765	1	Screw (10-32X1/2)				
338	28942	2	Screw (10-32X3/8)				
340	34154	1	Bracket-Tank, Fuel (Black)				
341	34155	1	Bracket-Tank, Fuel				
342	650561	1	Screw (1/4-20X19/32)				
343	35079A	1	Bracket-Switch, Key (Includes 343A)				
343A	651060	1	Screw (10-32X23/64)				
350	570682A	0	Primer ASM				
351	32180C	1	Line-Primer (12.00)				



Carburetor Assembly No. 640349 Tecumseh LH358SA-159626A

Ref	Part No.	Qty.	Description
①	631776A	1	Throttle Shaft And Lever ASM
②	631970	1	Spring-Return, Throttle
⑥	640109	1	Shutter-Throttle
⑦	650506	2	Screw-Shutter
⑩	632112	1	Choke Shaft And Lever ASM
⑭	632174	1	Shutter-Choke
⑮	630735	1	Spring-Positioning, Choke
⑰	632164	1	Fitting-Fuel
⑰	651025	1	Screw-Speed, Idle
⑱	630766	1	Spring-Tension
⑳	640027	1	Screw-Restrictor, Idle
⑳A	640200	1	Cap-Screw, Restrictor Idle
⑳	631951	1	Float Bowl ASM (Includes 32, 33)
⑳	631024	1	Shaft-Float
⑳	632802	1	Float
⑳	631028	1	O Ring-Bowl, Float
⑳	631021A	1	Inlet Needle, Seat, And Clip ASM (Includes 31)
⑳	631022	1	Clip-Spring
⑳	27136A	1	Bowl Drain ASM
⑳	27554	1	Gasket-Plunger, Drain
⑳	640113	1	Tube-Nozzle
⑳	632547	2	O Ring-Tube, Main Nozzle
⑳	640128	1	Nut-Bowl, High Speed

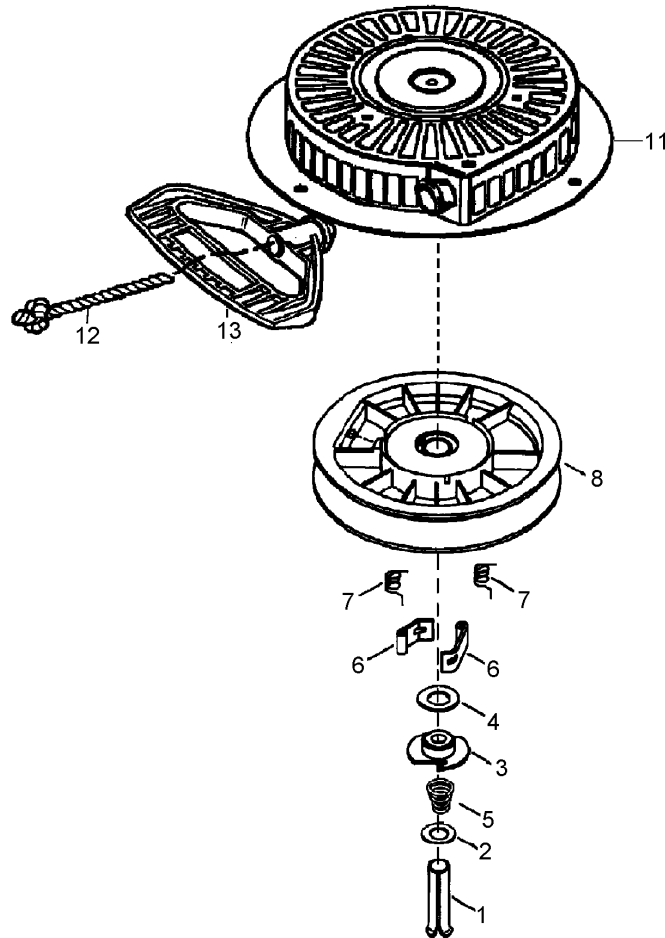
Ref	Part No.	Qty.	Description
④④	27110	1	Washer-Bowl Nut
④⑦	630748	1	Plug-Welch, Idle Mixture Well
④⑧	631027	1	Plug-Welch, Atmospheric Vent
④⑩	632760B	1	Repair Kit (Includes 7, 27, 29, 30, 33, 37, 44, 47, 48)
④⑱	33263	1	Gasket-Carburetor To Intake Pipe



Note: Internal parts are not serviced.
In the event of electrical failure,
the entire motor must be replaced.

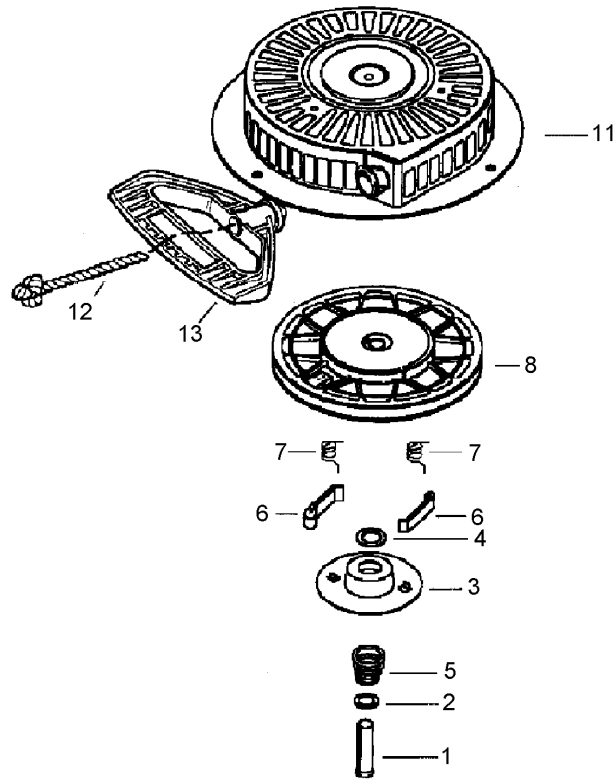
Electric Starter Assembly No. 37102 Tecumseh LH358SA-159626A

Ref	Part No.	Qty.	Description
①	33451	1	Cover-Dust
②	33842	1	Ring-Retainer
③	33430	1	Retainer-Spring
④	33431	1	Spring-Anti Drift
⑤A	37050	1	Gear And Nut (Includes 2)
⑥	650819	2	Screw (6-32X2-1/2)
⑥	651032	2	Screw (12-16 X 5/8In)
⑦	30063	2	Screw (T-30 1/4-20X1/2)
⑧	650820	2	Screw (1/4-20X1/2)



Recoil Starter Assembly No. 590749 Tecumseh LH358SA-159626A

Ref	Part No.	Qty.	Description
①	590599A	1	Spring Pin ASM (Includes 4)
②	590600	1	Washer
③	590679	1	Retainer
④	590601	1	Washer
⑤	590678	1	Spring-Brake
⑥	590680	2	Dog-Starter
⑦	590412	2	Spring-Dog
⑧	590682	1	Pulley And Rewind Spring ASM
⑪	590750A	1	Starter Housing ASM
⑫	590535	1	Rope-Starter (98X9/64 Dia) (Cut To Length)
⑬	590574	1	Handle-Grip, Mitten (Not Included With Starter)



Recoil Starter Assembly No. 590733 (Optional) Tecumseh LH358SA-159626A

Ref	Part No.	Qty.	Description				
①	590599A	1	Spring Pin ASM (Includes 4)				
②	590600	1	Washer				
③	590696	1	Retainer				
④	590601	1	Washer				
⑤	590697	1	Spring-Brake				
⑥	590698	2	Dog-Starter				
⑦	590699	2	Spring-Dog				
⑧	590709	1	Pulley And Rewind Spring ASM				
⑪	590734A	1	Starter Housing ASM				
⑫	590535	1	Rope-Starter (98X9/64 Dia) (Cut To Length)				
⑬	590574	1	Handle-Grip, Mitten (Not Included With Starter)				

Attachments and Accessories

For 38641 - Power Max 1028LXE Snowthrower

Product Name	Model/Part
Tire Chain Kit	107-3813
Snow Cab	107-3814
Weight Kit	107-3815
28 Inch Drift Breaker	107-3817

NOTES

