



## 622E Power Throw<sup>®</sup> Snowthrower

Model No. 38607 - 270000001 and up.

### Parts Catalog

---

#### Ordering Replacement Parts

To order replacement parts, please supply the part number, the quantity, and the description of each part desired.

#### Understanding Reference Numbers

Each identified part in an illustration has a reference number. The reference number for a part also appears in the parts list, along with other information about the part.

This catalog uses two special reference number formats, one to indicate parts in a service assembly and another to indicate the quantity of a given part in an illustration.

#### Service Assembly Reference Numbers

Parts in service assemblies have reference numbers in the form a:b. The a represents the reference number of the entire service assembly and the b represents a sequential number unique to each part within the service assembly.

For example, a wheel assembly might be identified by reference number 6, the tire by 6:1, the valve by 6:2, and the wheel by 6:3. When you order the assembly identified by reference number 6, you receive all parts identified by reference numbers 6:1, 6:2, and 6:3. However, you may also order any part individually. Reference numbers of this type appear in illustrations and in part lists.

#### Reference Numbers Indicating Quantity

In an illustration, if a reference number indicates more than one part, the reference number has the form nX y. The n represents the quantity of the part, the X is the multiplication symbol, and the y represents the reference number.

For example, in an illustration, the reference number 2X 37 means that two of the parts identified by reference number 37 are indicated.

# Contents

Description	Page	Description	Page
Auger Housing Assembly	..... 3	Engine Assembly No. 2 Tecumseh OH195SA-72563G	..... 12
22 Inch Gear Case Assembly No. 37-6962	..... 4	Carburetor Assembly No. 640058A Tecumseh OH195SA-72563G	..... 14
Frame Assembly	..... 5	Rewind Starter No. 590749 Tecumseh OH195SA-72563G	..... 15
Drive Assembly	..... 6	Recoil Starter No. 590733 (Optional) Tecumseh OH195SA-72563G	..... 16
Engine Assembly	..... 7	Attachments and Accessories List	..... 17
Handle and Control Assembly	..... 8		
Control Assembly	..... 9		
Engine Assembly No. 1 Tecumseh OH195SA-72563G	..... 10		

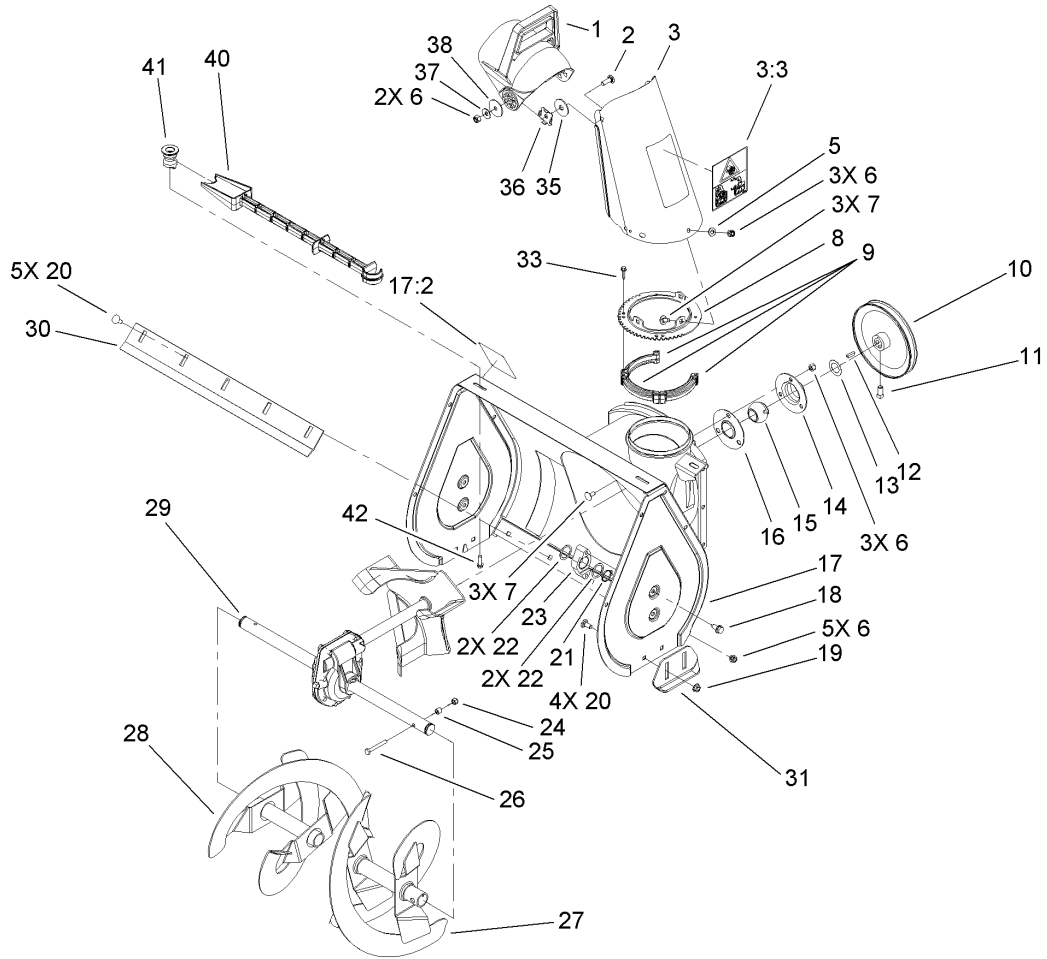
## Part Description Abbreviations

Part descriptions in this catalog may include the following abbreviations.

AR. .... as required	HYD. .... hydraulic
ASM. .... assembly	LH. .... left hand
BBC. .... blade brake clutch	NI. .... nylon insert
CARR. .... carriage	NPTF. .... national pipe thread fine
DEG. .... degrees	PFH. .... phillips flat head
EXT. .... external	PPH. .... phillips pan head
FH. .... flat head	PPHTF. .... phillips pan head thread forming
GA. .... gauge	PRH. .... phillips round head
HD. .... heavy-duty	PTH. .... phillips truss head
HF. .... hex flange	PTO. .... power-take-off
HH. .... hex head	RH. .... right hand
HHF. .... hex head flange	ROPS. .... roll-over protection system
HHFTF. .... hex head flange thread forming	SFH. .... slotted fillister head
HJ. .... hex jam	SHH. .... slotted hex head
HLH. .... hex lag head	SHWH. .... slotted hex washer head
HOC. .... height-of-cut	SPH. .... slotted pan head
HSBH. .... hex socket button head	SQH. .... square head
HSFH. .... hex socket flat head	SRH. .... slotted round head
HSH. .... hex socket head	STD. .... standard
HWH. .... hex washer head	TAP. .... self tapping
HWHTF. .... hex washer head thread forming	TTH. .... torx truss head

## Footnotes

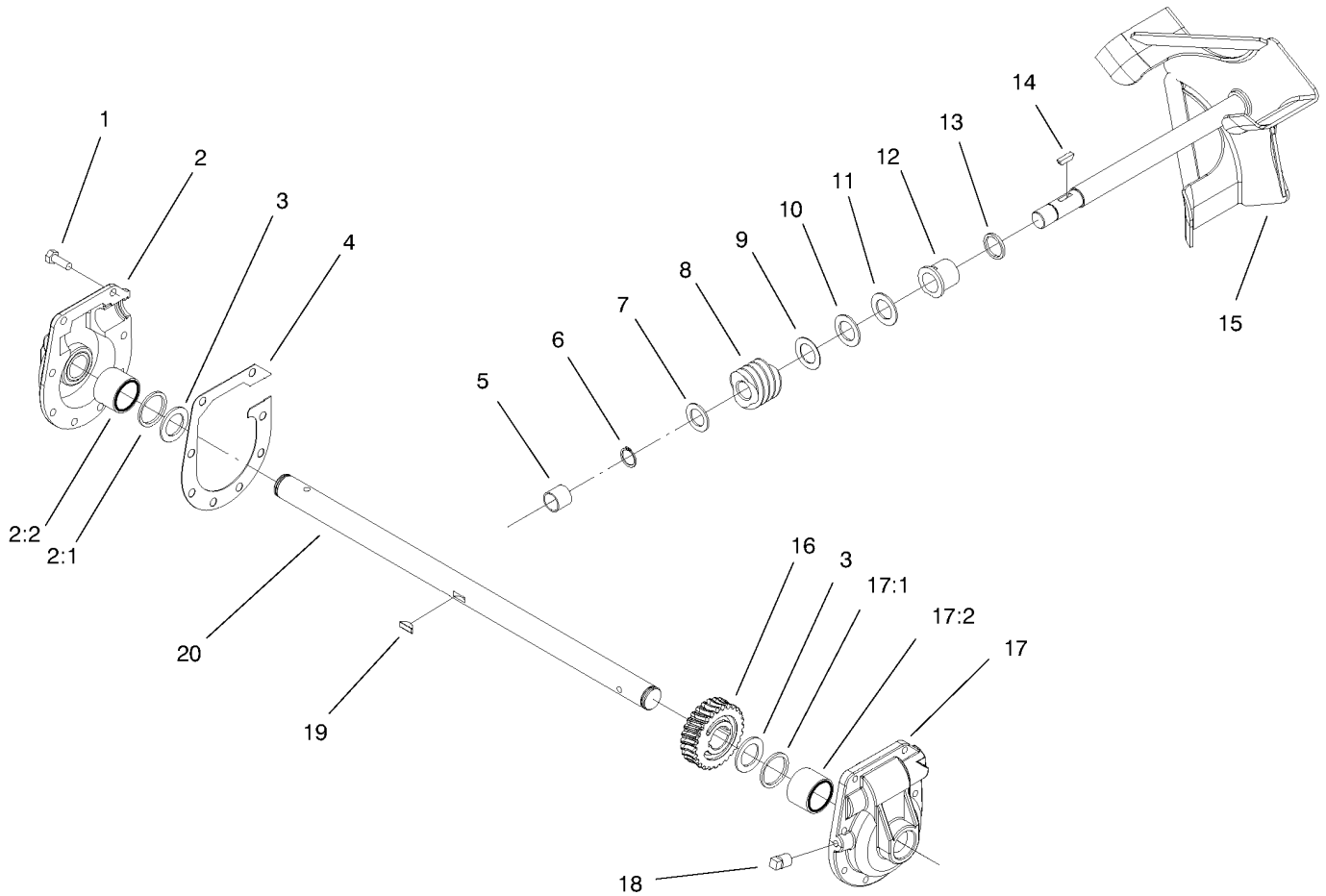
- |  |                                 |
|--|---------------------------------|
| ❶ Not illustrated                        | ❷ Not serviced separately       |
| ❸ Obtain from your local Tecumseh dealer | ❹ Included in Repair Kit 632760 |
| ❺ Included in Gasket Set 36720           |                                 |



## Auger Housing Assembly

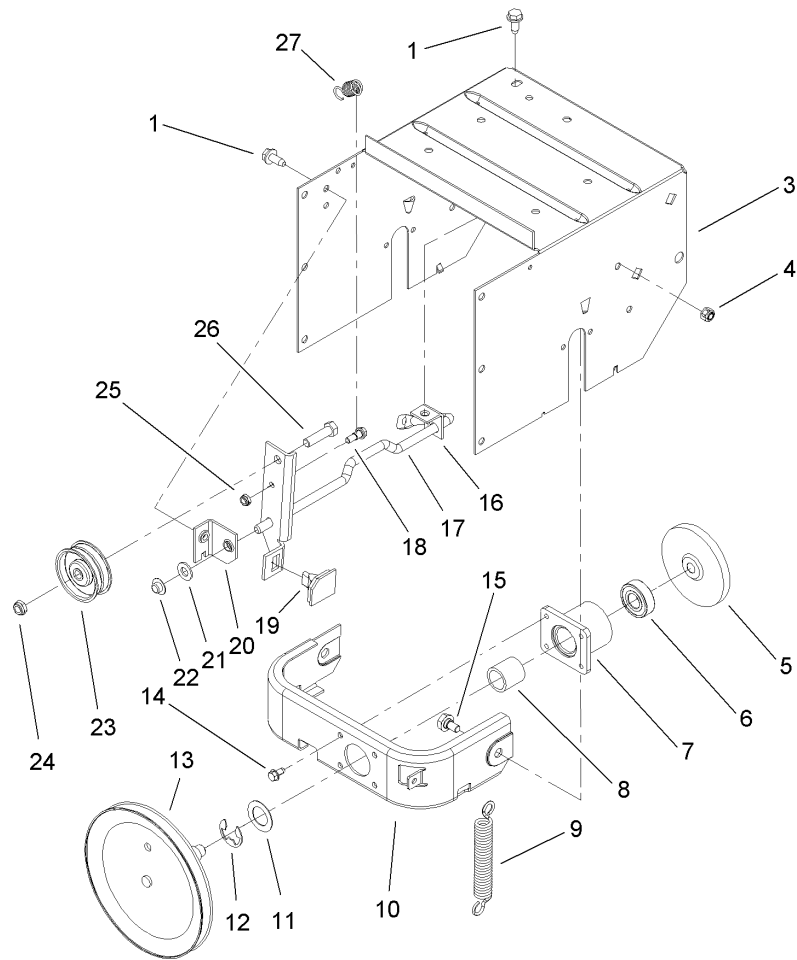
Ref	Part No.	Qty.	Description
1	56-2680	1	Chute-Deflector
2	3230-22	2	Screw-CARR
3	112-6605	1	Chute ASM
3:3	112-6620	1	Decal-Danger, Discharge
5	3256-23	3	Washer-Flat
6	3296-29	13	Nut-Lock, NI
7	3230-18	6	Screw-CARR
8	37-8941-03	1	Ring-Chute
9	37-6490	3	Ring-Chute, Retainer
10	37-6890	1	Pulley
11	3242-4	2	Screw-Set, SQH
12	3257-23	1	Key-Woodruff
13	3-0737	1	Washer
14	26-6110	1	Flange-Cup, Bearing
15	63-3450	1	Bearing-Ball
16	26-6120	1	Flange-Cup, Bearing
17	112-6641	1	Auger Housing ASM
17:2	107-3040	1	Decal-Danger, Auger
18	32144-70	4	Screw-HWHTF
19	32128-20	4	Nut-HF
20	3230-1	9	Bolt-CARR
21	32151-36	2	Ring-Retaining
22	5-1550	4	Washer
23	37-6550	2	Bearing-Auger

Ref	Part No.	Qty.	Description
24	3296-42	2	Nut-Lock, NI
25	66-8010	2	Spacer-Hub, Impeller
26	321-11	2	Screw-HH
27	98-2271-03	1	Auger-LH
28	98-2270-03	1	Auger-RH
29	37-6962	1	22 Inch Gear Case ASM
30	100-3554-01	1	Blade-Scraper
31	40-8160-01	2	Skid
33	27-0220	6	Screw-Special
35	20-4320	2	Washer-Rubber
36	55-8950	2	Plate-Friction
37	3290-456	2	Washer-Belleville
38	3256-68	2	Washer-Flat
40	110-3408	1	Stick-Cleanout
41	110-6275	2	Holder-Stick
42	46-8091	2	Screw-HWH



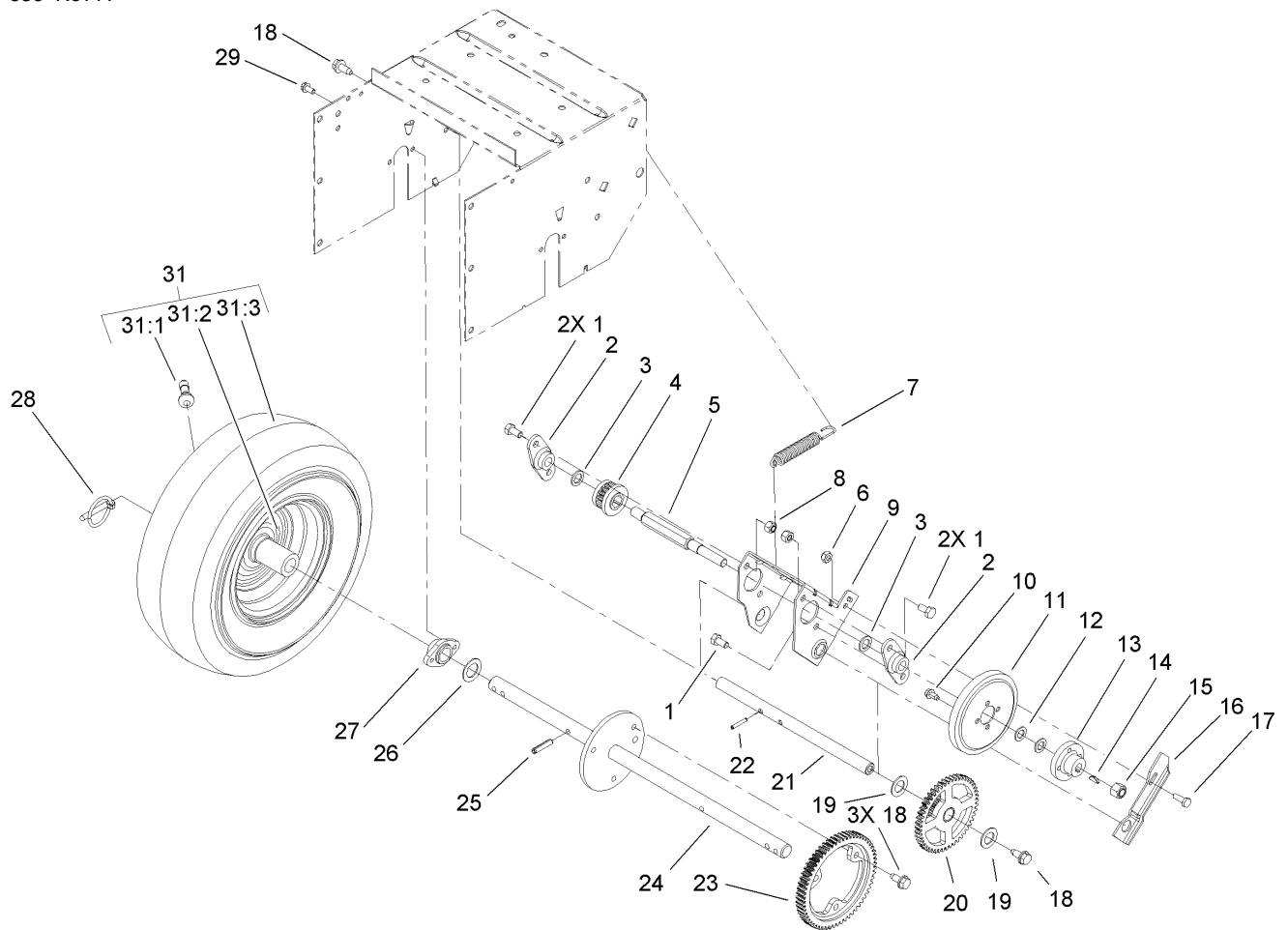
## 22 Inch Gear Case Assembly No. 37-6962

Ref	Part No.	Qty.	Description
1	32144-41	8	Screw-Taptite
2	14-2449	1	RH Bushing Case ASM
2:1	7-0045	1	Seal-Oil
2:2	256-237	1	Bushing
3	252-71	2	Washer-Thrust
4	51-0460	1	Gasket-Case, Gear
5	256-32	1	Bushing
6	32120-72	1	Ring-Snap
7	3-8664	1	Washer-Thrust
8	5-7170	1	Gear
9	252-80	1	Washer-Thrust
10	252-76	1	Bearing-Thrust
11	257-3	1	Washer-Thrust
12	37-6560	1	Bushing-Input
13	237-87	1	Ring-Quad
14	3257-23	1	Key-Woodruff
15	37-6990-03	1	Impeller Shaft ASM
16	5-7180	1	Gear-Worm, 27T
17	14-2459	1	LH Bushing Case ASM
17:1	7-0045	1	Seal-Oil
17:2	256-237	1	Bushing
18	281-1	1	Plug-Pipe, SQH
19	3257-33	1	Key-Woodruff
20	37-6802	1	Shaft-Auger

## Frame Assembly

Ref	Part No.	Qty.	Description	Ref	Part No.	Qty.	Description
1	32144-70	2	Screw-HWHTF	26	323-29	1	Screw-HH
3	37-8900-01	1	Frame-Traction	27	53-7570	1	Spring
4	3296-29	2	Nut-Lock, NI				
5	38-0800	1	Plate-Friction				
6	100-1048	1	Bearing-Ball				
7	88-0560	1	Hub-Frame, Traction				
8	256-322	1	Bushing				
9	37-8870	1	Spring-Plate, Friction				
10	88-0550-03	1	Frame-Front				
11	252-80	1	Washer-Thrust				
12	32151-103	1	Ring-Snap				
13	88-0850	1	Pulley And Drive ASM				
14	32144-4	4	Screw-HWH				
15	37-8770	2	Bolt-Shoulder				
16	37-9070	1	Bracket-Mount, Rear				
17	40-6511-03	1	Auger Clutch Rod ASM				
18	42-3560	1	Bolt-Shoulder				
19	66-8060	1	Pad-Brake				
20	66-6790	1	Bracket-Mount, Front				
21	3256-24	1	Washer-Flat				
22	3290-320	1	Retainer-Push On				
23	3-4244	1	Pulley-Idler				
24	3296-59	1	Nut-Lock, NI				
25	3296-56	1	Nut-Lock, NI				

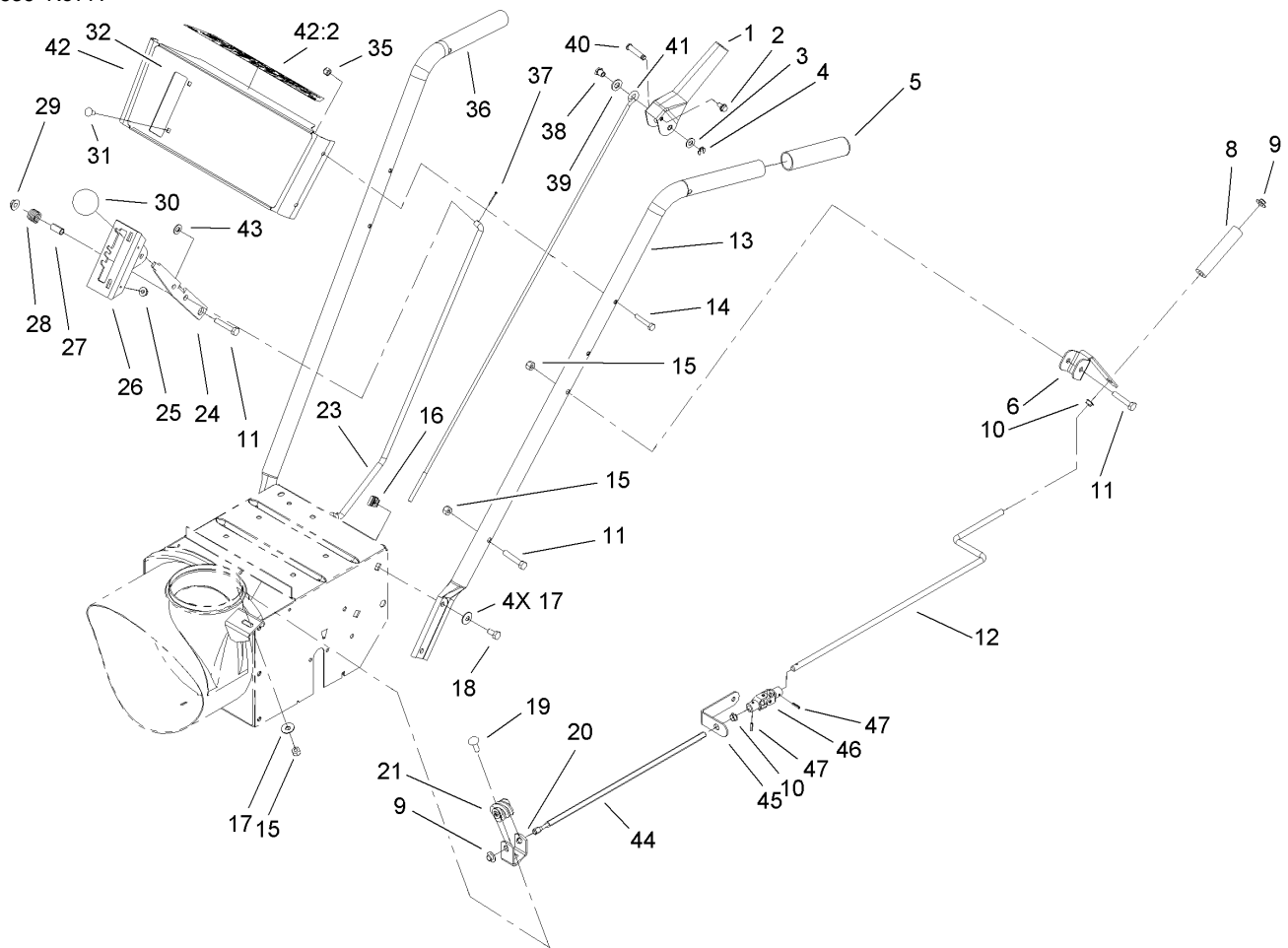


## Drive Assembly

Ref	Part No.	Qty.	Description
1	322-2	4	Screw-HH
2	20-1620	2	Bearing-Wheel, Friction
3	5-7570	2	Washer-Flat
4	37-6500	1	Pinion
5	37-6780	1	Shaft-Wheel, Friction
6	3296-16	1	Nut-Lock, NI
7	37-8880	1	Spring-Traction
8	3296-29	4	Nut-Lock, NI
9	39-1230	1	Bracket-Sliding
10	32144-4	4	Screw-HWH
11	37-6570	1	Wheel-Friction
12	36-4790	2	Washer-Thrust
13	39-1520	1	Hub-Wheel, Friction
14	3257-24	1	Key-Woodruff
15	3296-48	1	Nut-Lock, NI
16	39-1250	1	Cam-Receiver
17	321-4	1	Screw-HH
18	32144-70	5	Screw-HWHTF
19	10-9280	2	Washer-Special
20	37-9160	1	Internal Gear And Bushing ASM
21	37-6760	1	Shaft-Pivot
22	32121-45	2	Pin-Spring
23	37-6520	1	Gear-Axle
24	74-1350	1	Shaft-Axle

Ref	Part No.	Qty.	Description
25	32121-9	2	Pin-Roll, Slotted
26	3-8664	2	Washer-Thrust
27	37-6850	2	Bearing-Axle
28	3290-243	2	Pin-Lynch
29	32144-4	4	Screw-HWH
① 30		1	LH Wheel And Tire ASM
①30:1	232-27	1	Stem-Valve
①30:2	241-131	1	Rim-Wheel
①30:3	112-6609	1	Tire
②31		1	RH Wheel And Tire ASM
31:1	232-27	1	Stem-Valve
31:2	241-131	1	Rim-Wheel
31:3	112-6609	1	Tire

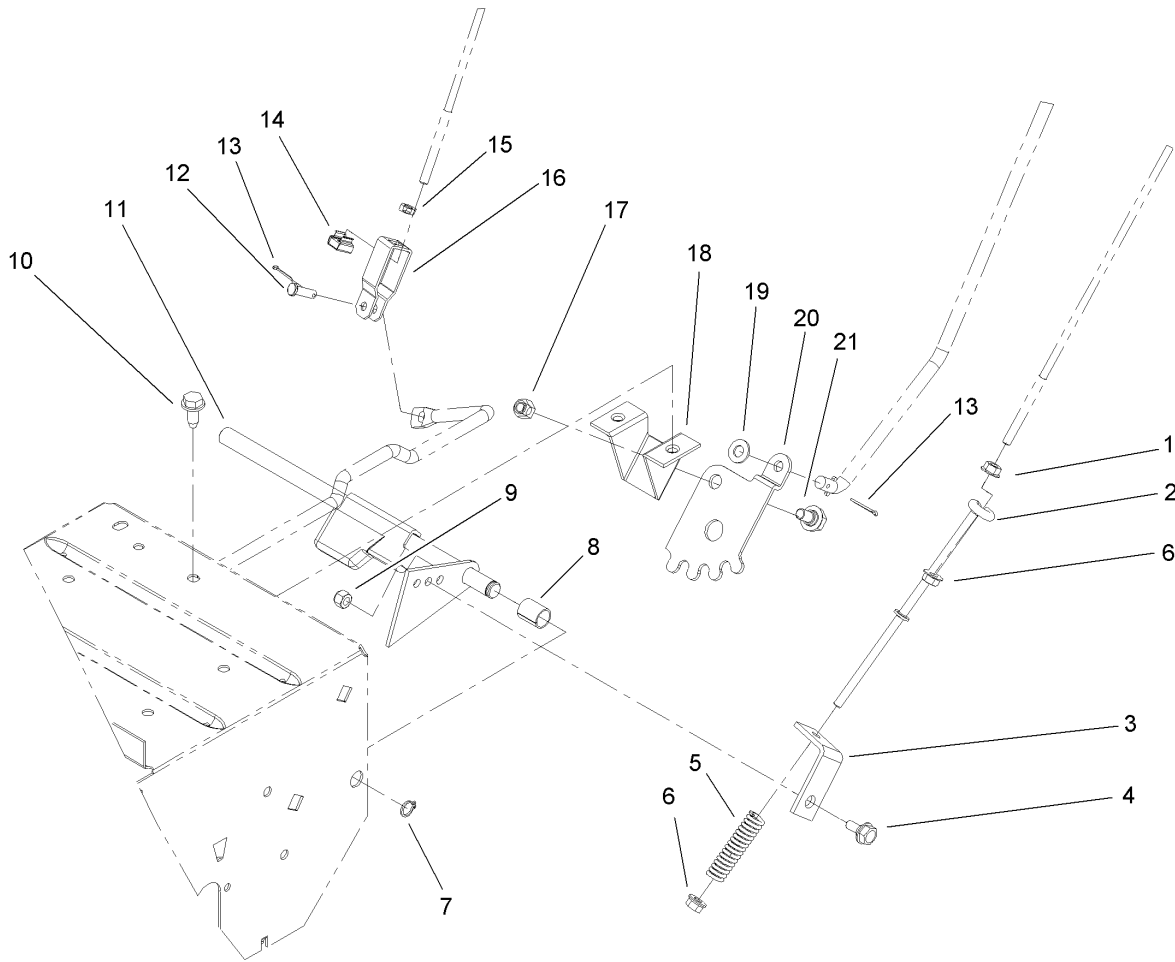




## Handle and Control Assembly

Ref	Part No.	Qty.	Description
1	94-8887-03	2	Handle-Control
2	3234-13	2	Screw-HHF
3	3256-23	2	Washer-Flat
4	32151-73	2	Ring-Clip
5	112-6615	2	Grip-Handle
6	110-6297	1	Bracket-Rod, Upper Chute
8	40-8230	1	Grip-Control, Chute
9	3290-320	2	Retainer-Push On
10	256-249	2	Bushing
11	322-9	3	Screw-HH
12	110-6293	1	Rod-Chute, Upper
13	110-6296-03	1	Handle-Left
14	321-9	4	Screw-HH
15	3296-29	3	Nut-Lock, NI
16	3290-196	4	Nut
17	3290-456	5	Washer-Belleville
18	322-2	4	Screw-HH
19	3230-22	1	Screw-CARR
20	110-6298	1	Bracket-Worm
21	40-8250	1	Gear-Worm, Chute
23	39-7570	1	Rod-Selector, Speed
24	37-8820-03	1	Selector-Speed
25	32128-33	2	Nut-HF
26	39-1280-03	1	Mount-Selector, Speed

Ref	Part No.	Qty.	Description
27	40-8130	1	Spacer
28	37-9150	1	Spring
29	32128-13	1	Nut-HF
30	233-21	1	Knob
31	3229-11	2	Screw-CARR
32	112-6637	1	Decal-Escutcheon
35	3296-42	4	Nut-Lock, NI
36	52-5561-03	1	Handle-Right
37	3272-4	1	Pin-Cotter
38	47-4990	2	Post-Mounting, Linkage
39	3256-24	2	Washer-Flat
40	52-5600	2	Pin-Lever, Control
41	52-5590	2	Link-Upper
42	112-6643	1	Escutcheon Panel ASM
42:2	112-6624	1	Decal-Escutcheon, Back
43	3256-23	1	Washer-Flat
44	110-6292	1	Rod-Chute, Lower
45	110-6295	1	Bracket-Rod, Lower
46	94-2686	1	Joint-Universal
47	32121-73	2	Pin-Roll



### Control Assembly

Ref	Part No.	Qty.	Description
1	32128-33	1	Nut-HF
2	39-3060	1	Rod-Traction, Lower
3	38-4490	1	Bracket-Traction
4	40-8350	1	Screw
5	38-4520	1	Spring
6	32128-32	2	Nut-HHF
7	32151-61	1	Ring-Retaining
8	40-9680	1	Spacer
9	3296-42	1	Nut-Lock, NI
10	32144-70	2	Screw-HWHTF
11	43-7310-03	1	Traction Arm ASM
12	1-808265	1	Pin-Clevis
13	3272-4	2	Pin-Cotter
14	32115-5	1	Nut-Retained
15	3218-1	1	Nut-Jam
16	39-3080	1	Clevis
17	3296-29	1	Nut-Lock, NI
18	37-8790	1	Mount-Lever
19	3256-23	1	Washer-Flat
20	37-8800	1	Gear-Quadrant
21	37-8770	1	Bolt-Shoulder

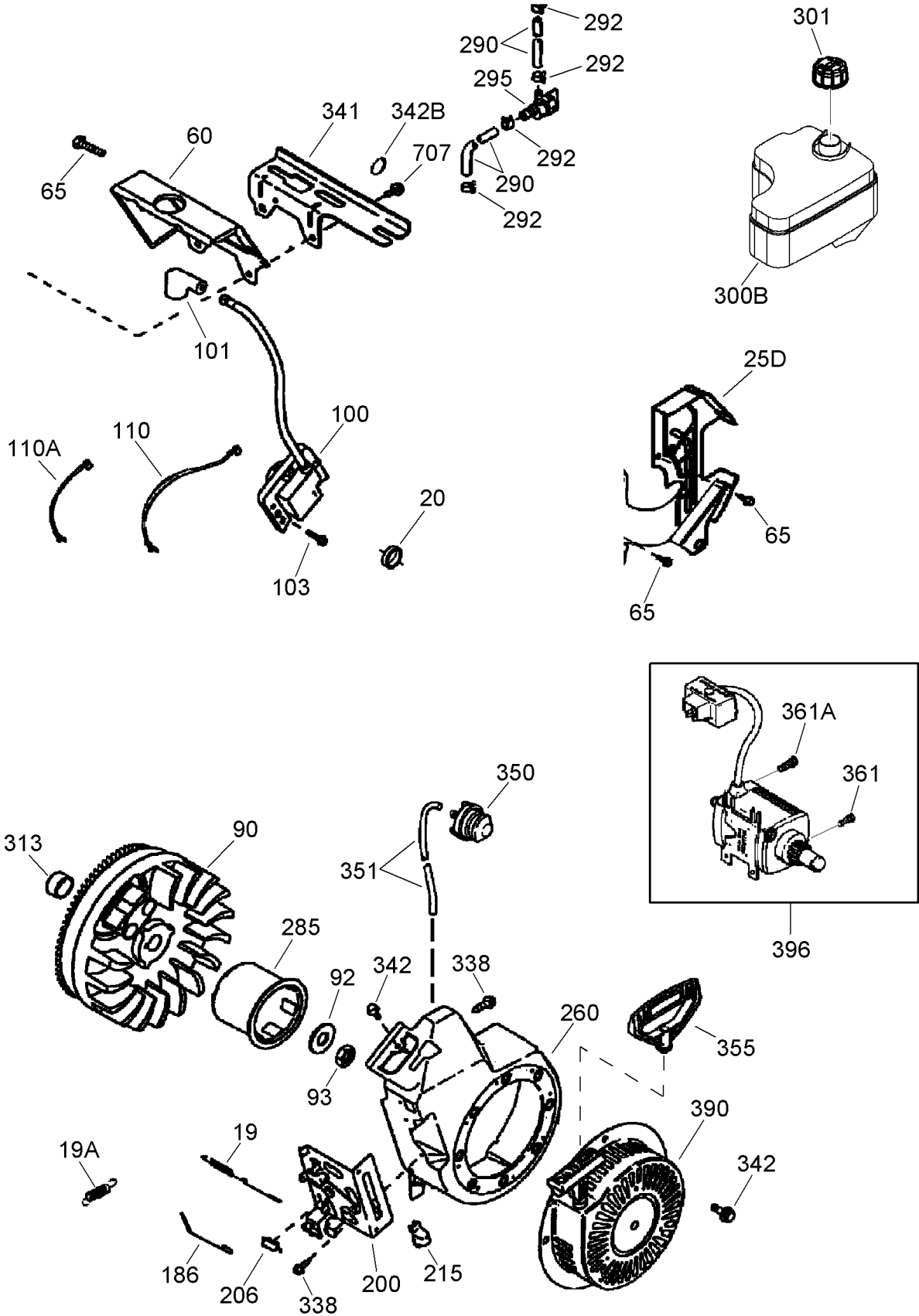



# Engine Assembly No. 1

## Tecumseh OH195SA-72563G

Ref	Part No.	Qty.	Description	Ref	Part No.	Qty.	Description
③1	37120B	1	Cylinder ASM (Includes 2, 20, 72, 72A, 325, 325A)	③160	36630B	1	Cover-Arm, Rocker
③2	26727	2	Pin-Dowel	③161	651085	2	Screw (1/4-20 X 19/32)
③14	651052	1	Washer	③161A	651012	1	Stud
③15	37108	1	Rod-Governor (Includes 38)	③173	37676	1	Tube-Breather
③16	37110	1	Lever-Governor	③182	650451	4	Screw (1/4-20 X 1)
③30	34740	1	Crankshaft ASM	③183	36867	1	Bracket-Choke
③35	651053	1	Screw (10-32 X 63/64)	③184	26756	1	Gasket-Carburetor To Intake Pipe
③37	651116	1	Nut-Square	③185	36631	1	Pipe-Intake
③38	37109	1	Ring-Retaining	③186B	36652	1	Spring-Choke
③40	40005	1	Piston, Pin And Ring Set (.010 O S)	③207	36632	1	Link-Throttle
③40	40004	1	Piston, Pin And Ring Set (STD)	③219	36868	1	Rod-Choke
③42	40007	1	Ring Set (.010 O S)	③220	35438	1	Knob-Control
③42	40006	1	Ring Set (STD)	③222	28820	2	Screw (10-32 X 1/2)
③43	20381	2	Ring-Retaining, Piston Pin	③224	36581	1	Gasket-Pipe, Intake
③45	32875A	1	Connecting Rod ASM (Includes 46, 49)	③229	650852	4	Nut (1/4-20)
③46	32610A	2	Bolt-Rod, Connecting	③253	36701	1	Weight-Release, Compression
③48	35616A	1	Lifter-Valve	③254	36702	1	Spring-Release, Compression
③49	36611	1	Dipper-Oil	③275	37595A	1	Discharge-Muffler, Carburetor Side
③50	37040	1	Camshaft (Includes 150, 253, 254)	③277	650988	2	Screw (1/4-20 X 2-9/32)
③62	650760	1	Screw (8-32 X 3/8)	③280	37069	1	Shield-Heat
③69	36624	1	Gasket-Cover, Cylinder	③305	36877	1	Tube-Fill, Oil
③70	36625	1	Cover-Cylinder (Includes 75 - 83)	③307	35499	1	O-Ring
③72	27642	3	Plug-Drain, Oil (SQH 1/4-18)	③310	36878	1	Dipstick
③75	27897	1	Seal-Oil	③328	35062	1	Key, Ignition
③80	30574A	1	Shaft-Governor	③329A	651060	1	Screw (8-32 X 23/64)
③81	30590A	1	Washer	③335	36873A	1	Cover-Carburetor
③82	30591	1	Governor Gear ASM (Includes 81)	③338A	28942	1	Screw (10-32 X 3/8)
③83	36057	1	Spool-Governor	③342	651008	6	Screw (1/4-20 X 31/64)
③86	650488	8	Screw (1/4-20 X 1-1/4)	③364	36872	1	Bracket-Cover, Carburetor
③89	610961	1	Key-Flywheel	③370	36695	1	Decal-Tecumseh Logo For Top Of Recoil Starter
③119	36719	1	Gasket-Head, Cylinder	③370	36534A	1	Instruction Decal - Caution - Read Owner's Manual
③120	37474	1	Head-Cylinder	③370	36501	1	Decal-Primer-International Symbol
③125	36472	1	Valve-Exhaust (1/32 O S) (Includes 151)	③370	37119	1	Decal-Warning (Bilingual)
③125	36471	1	Valve-Exhaust (STD) (Includes 151)	③370	37948	1	Decal - Hot Surfaces
③126	37711	1	Valve-Intake (STD) (Includes 151, 151A)	③370	37433	1	Decal - Electric-Start Button
③130	650912	4	Screw (5/16-18 X 1-1/2)	③370	36899	1	Decal - Speed Control, Choke And Key
③130A	650999	1	Screw (5/16-18 X 2-41/64)	③380	640058A	1	Carburetor ASM (Includes 184)
③135	34645	1	Spark Plug-Resistor (R N 4C)	③400	36720	1	Gasket Set
③150	37039	2	Spring-Valve	③416	36085	1	Spark Arrestor Kit
③151	31673	2	Cap-Valve, Spring	③420	730226A	1	Oil-Engine, Sae 5W30
③151A	40016A	1	Seal-Valve, Intake	③600	651013	1	Washer
③153	36649	1	Guide-Rod, Push	①③700	907366A	1	Engine Replacement
③154	650913	2	Stud-Arm, Rocker	①③701	754323B	1	Short Block Replacement
③155	35624A	2	Arm-Rocker	①③999	730296	1	Winter Maintenance Kit (Includes 0W30 Synthetic Oil)
③157	650914	2	Nut (1/4-28)	①③999	730286	1	Winter Maintenance Kit (Includes 5W30 Oil)
③158	36629	2	Rod-Push				
③159	35626	1	Gasket-Cover, Rocker Arm				

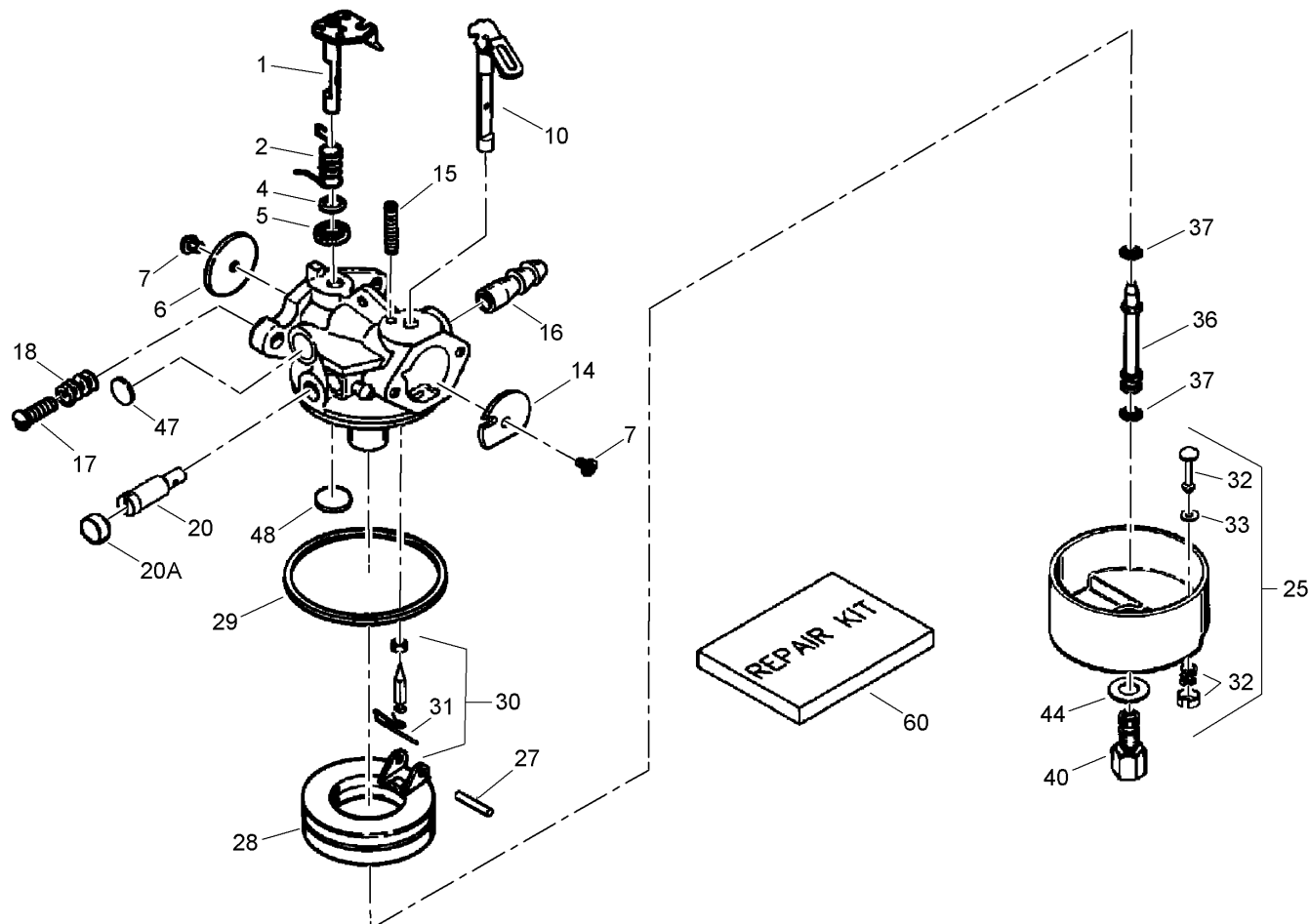
# Engine Assembly No. 2 Tecumseh OH195SA-72563G



## Engine Assembly No. 2

### Tecumseh OH195SA-72563G

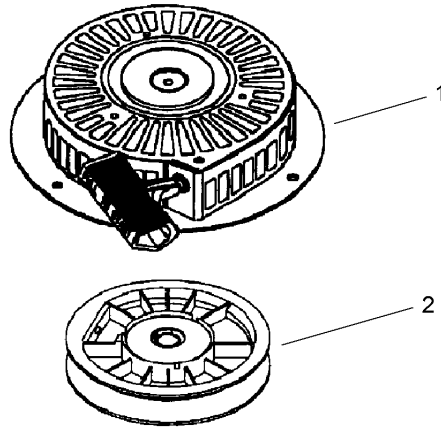
Ref	Part No.	Qty.	Description				
③19	37111	1	Spring-Throttle				
③19A	36750	1	Spring-Governor				
③20	32600	1	Seal-Oil				
③25D	37710	1	Baffle-Air (1 Piece, Electric Start)				
③60	36623A	1	Extension-Housing, Blower				
③65	30200	3	Screw (10-24 X 9/16)				
③90	611216	1	Flywheel 18 Watt, W/Ring Gear				
③92	650815	1	Washer-Belleville				
③93	650816	1	Nut-Flywheel				
③100	34443C	1	Ignition-Solid State				
③101	610118	1	Cover-Spark Plug				
③103	651007	2	Screw (T-15, 10-24 X 15/16)				
③110	36230	1	Wire-Ground (Green, 9.0)				
③110A	36874	1	Wire-Ground (Green, 5.5)				
③186	36711	1	Link-Governor				
③200	36824A	1	Bracket-Control (Includes 206 And 215)				
③206	610973	1	Terminal				
③215	32410	1	Knob-Control				
③260	36901	1	Housing-Blower				
③285	35985C	1	Cup-Starter				
③290	37962	1	Line-Fuel, Low Permeation (8.62)				
③290	37963	1	Line-Fuel, Low Permeation (16.0)				
③292	26460	4	Clamp-Line, Fuel				
③295	35857	1	Valve-Shut-Off, Fuel (Includes 292) (Also Available In Packaged Part 740073)				
③300B	37048	1	Fuel Tank ASM (Includes 292 And 301) 3.5 Quart				
③301	37845	1	Cap-Fuel (Red Plastic) (1-1/2 Id)				
③313	34080	1	Spacer				
③338	650821	8	Screw (10-32 X 1/2)				
③341	36644A	1	Bracket-Tank, Fuel				
③342	651008	6	Screw (1/4-20 X 31/64)				
③342B	651086	2	Washer-Rubber				
③350	570682A	1	Primer ASM (Also Available In Packaged Part 740101)				
③351	32180C	1	Line-Primer				
③355	590574	1	Handle-Starter, Mitten Grip				
③361	650990	3	Screw (T-30, 1/4-20X15/32)				
③361A	650819	1	Screw (6-32X2-1/2)				
③390	590749	1	Starter-Rewind				
③396	37217	1	Electric Starter Motor 220 Volt				
③707	651085	2	Screw (1/4-20 X 19/32)				



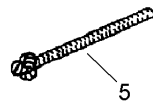
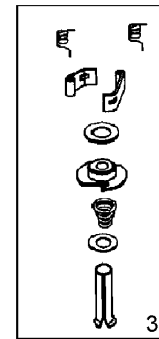
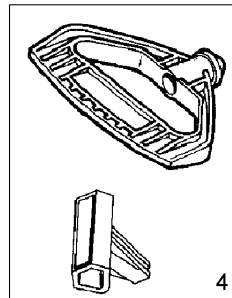
## Carburetor Assembly No. 640058A Tecumseh OH195SA-72563G

Ref	Part No.	Qty.	Description
30	640058A	1	Carburetor ASM
31	631615	1	Throttle Shaft And Lever ASM
32	631767	1	Spring-Return, Throttle
34	631184	1	Washer-Seal, Dust
35	631183	1	Dust Seal (Throttle)
36	631036	1	Shutter-Throttle
37	650506	2	Screw-Shutter
38	632118	1	Choke Shaft And Lever ASM
39	631890	1	Shutter-Choke
40	630735	1	Spring-Positioning, Choke
41	632164	1	Fitting-Fuel
42	651025	1	Screw-Throttle Crack/Idle Speed
43	630766	1	Spring-Tension
44	640027	1	Spring-Restrictor, Idle
45A	640053	1	Cap-Screw, Idle Restrictor
25	631951	1	Float Bowl ASM
25	631867	1	Bowl-Float (No Drain)
27	631024	1	Shaft-Float
28	632802	1	Float (Plastic)
29	631028	1	O-Ring-Bowl, Float
30	631021	1	Inlet Needle, Seat And Clip ASM
31	631022	1	Clip-Spring
32	27136A	1	Bowl Drain ASM
33	27554	1	Gasket-Plunger, Drain

Ref	Part No.	Qty.	Description
36	640019	1	Tube-Nozzle, Main
37	632547	2	O-Ring-Nozzle Tube, Main
40	640059	1	Nut-Bowl, High Speed
44	27110A	1	Washer-Nut, Bowl
47	630748	1	Plug-Welch, Idle Mixture Well
48	631027	1	Plug-Welch, Atmospheric Vent
60	632760	1	Repair Kit



This illustration may not depict actual equipment and is for reference purposes only

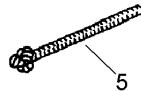
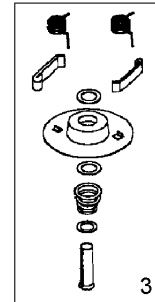
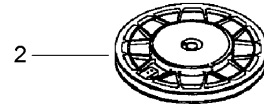
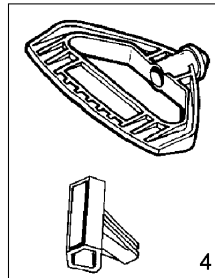
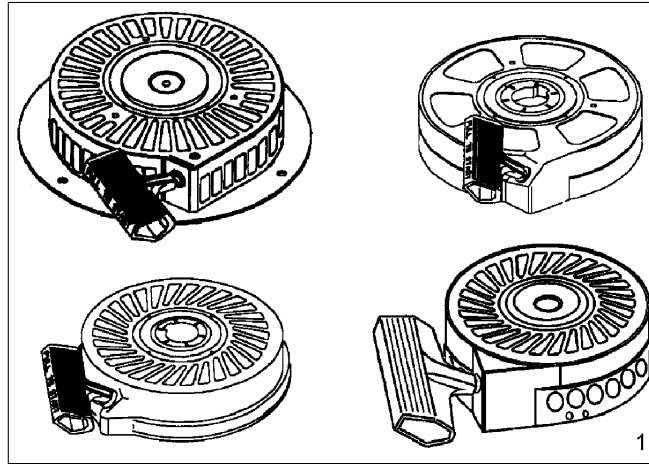


## Rewind Starter No. 590749 Tecumseh OH195SA-72563G

Ref	Part No.	Qty.	Description
❶	590749	1	Starter-Rewind
❷	590682	1	Pulley And Rewind Spring ASM
❸	590773	1	Repair Kit
❹	590574	1	Handle-Starter, Mitten Grip
❺	590535	1	98 Starter Rope (Cut To Length)

--	--	--	--

This illustration may not depict actual equipment and is for reference purposes only



## Recoil Starter No. 590733 (Optional) Tecumseh OH195SA-72563G

Ref	Part No.	Qty.	Description
❶	590733	1	Starter-Rewind
❷	590709	1	Pulley And Rewind Spring ASM
❸	590774	1	Repair Kit
❹	590574	1	Handle-Starter, Mitten Grip
❺	590535	1	98 Starter Rope (Cut To Length)

--	--	--	--

# Attachments and Accessories

## For 38607 - 622E Power Throw Snowthrower

Product Name	Model/Part
22 Inch Drift Breaker .....	37-7022
Tire Chain Kit .....	56-2700
Snow Cab .....	88-0600

# NOTES

# NOTES

