



## Roller Striping Kit Z Master® TURBO FORCE® Mowers

Model No. 108-2162

### Parts Catalog

---

#### Ordering Replacement Parts

To order replacement parts, please supply the part number, the quantity, and the description of each part desired.

#### Understanding Reference Numbers

Each identified part in an illustration has a reference number. The reference number for a part also appears in the parts list, along with other information about the part.

This catalog uses two special reference number formats, one to indicate parts in a service assembly and another to indicate the quantity of a given part in an illustration.

#### Service Assembly Reference Numbers

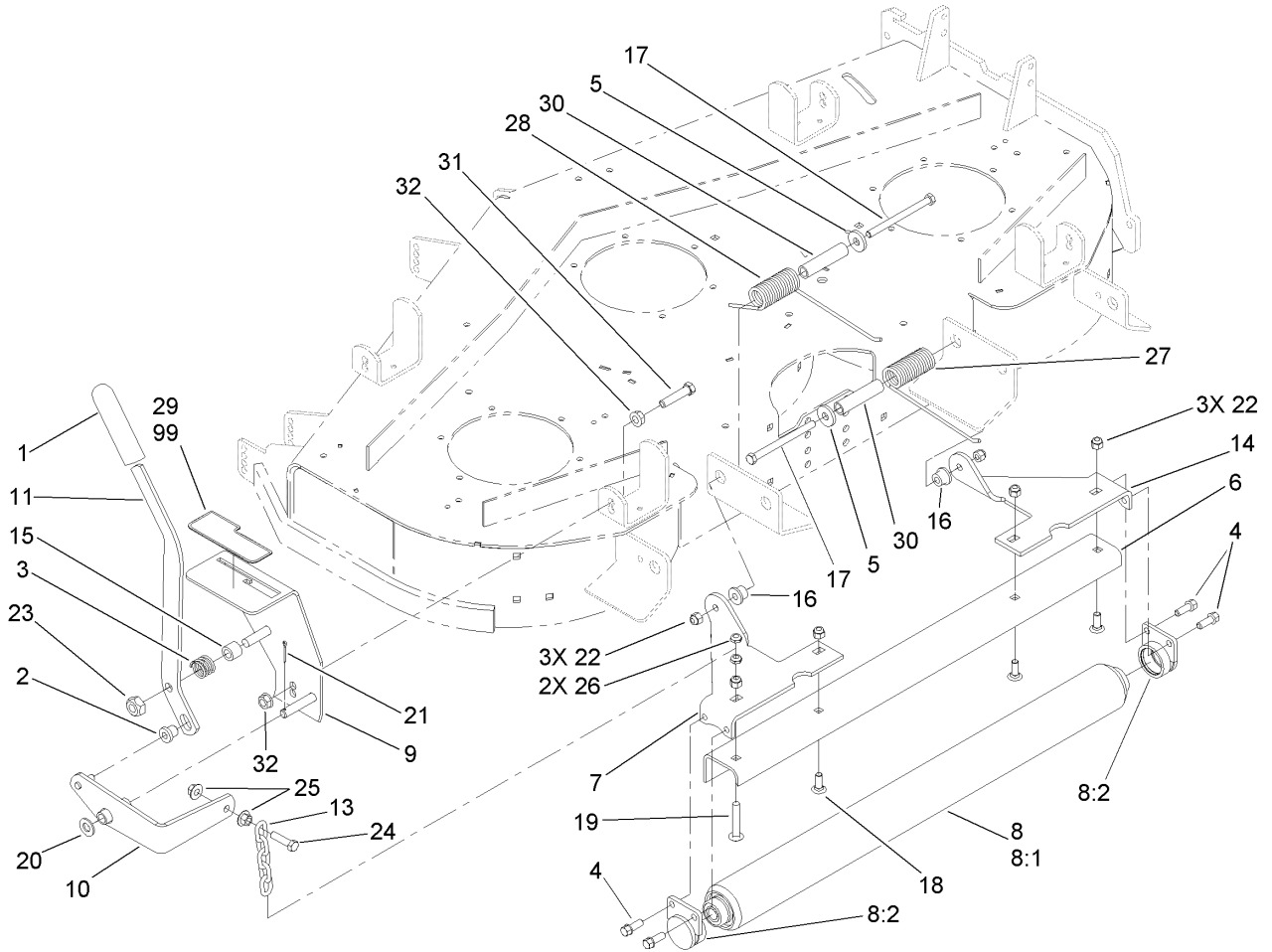
Parts in service assemblies have reference numbers in the form a:b. The a represents the reference number of the entire service assembly and the b represents a sequential number unique to each part within the service assembly.

For example, a wheel assembly might be identified by reference number 6, the tire by 6:1, the valve by 6:2, and the wheel by 6:3. When you order the assembly identified by reference number 6, you receive all parts identified by reference numbers 6:1, 6:2, and 6:3. However, you may also order any part individually. Reference numbers of this type appear in illustrations and in part lists.

#### Reference Numbers Indicating Quantity

In an illustration, if a reference number indicates more than one part, the reference number has the form nX y. The n represents the quantity of the part, the X is the multiplication symbol, and the y represents the reference number.

For example, in an illustration, the reference number 2X 37 means that two of the parts identified by reference number 37 are indicated.



## Roller Striping Assembly No. 108-2162

Ref	Part No.	Qty.	Description
1	1-633268	1	Grip-Lever, Brake
2	65-5950	1	Bushing-Pulley
3	87-3660	1	Spring-Compression
4	92-1624	4	Screw
5	1-373034	2	Washer
6	108-2154-03	1	Scraper-Roller
7	108-2155-01	1	Mount-Roller, LH
8	108-2199	1	Roller ASM
8:1	108-2157	1	Roller-Striper
8:2	108-2198	2	Hub ASM
9	108-2219-01	1	Striper Plate ASM
10	108-2223-03	1	Crank ASM
11	108-2225-03	1	Lever
13	84-2451	1	Chain-Straight, 5 Link
14	110-1505-01	1	Mount-Roller, RH
15	108-7244	1	Spacer
16	95-8803	2	Bushing-Flange
17	323-38	2	Screw-HH
18	3231-22	3	Screw-CARR
19	3231-33	1	Screw-CARR
20	3256-26	1	Washer-Flat
21	3272-7	1	Pin-Cotter
22	3296-39	6	Nut-Lock, NI
23	32146-13	1	Nut-Lock

Ref	Part No.	Qty.	Description
24	323-8	1	Screw-HH
25	32128-43	2	Nut-Flange
26	3296-59	2	Nut-Lock, NI
27	108-4075	1	Spring-Torsion
28	108-4076	1	Spring-Torsion
29	108-7251	1	Decal
30	1-633062	2	Spacer-Wheel, Long
31	324-8	1	Screw-HH
32	32128-37	2	Nut-HF
99	108-4108	1	Decal-Ce