



## 622R Power Throw<sup>®</sup> Snowthrower

Model No. 38606 - 270000001 and up.

### Parts Catalog

---

#### Ordering Replacement Parts

To order replacement parts, please supply the part number, the quantity, and the description of each part desired.

#### Understanding Reference Numbers

Each identified part in an illustration has a reference number. The reference number for a part also appears in the parts list, along with other information about the part.

This catalog uses two special reference number formats, one to indicate parts in a service assembly and another to indicate the quantity of a given part in an illustration.

#### Service Assembly Reference Numbers

Parts in service assemblies have reference numbers in the form a:b. The a represents the reference number of the entire service assembly and the b represents a sequential number unique to each part within the service assembly.

For example, a wheel assembly might be identified by reference number 6, the tire by 6:1, the valve by 6:2, and the wheel by 6:3. When you order the assembly identified by reference number 6, you receive all parts identified by reference numbers 6:1, 6:2, and 6:3. However, you may also order any part individually. Reference numbers of this type appear in illustrations and in part lists.

#### Reference Numbers Indicating Quantity

In an illustration, if a reference number indicates more than one part, the reference number has the form nX y. The n represents the quantity of the part, the X is the multiplication symbol, and the y represents the reference number.

For example, in an illustration, the reference number 2X 37 means that two of the parts identified by reference number 37 are indicated.

# Contents

Description	Page	Description	Page
Auger Housing Assembly	..... 3	Engine Assembly No. 2 Tecumseh OH195SA-72566G	..... 12
22 Inch Gear Case Assembly No. 37-6962	..... 4	Carburetor Assembly No. 640058A Tecumseh OH195SA-72566G	..... 14
Frame Assembly	..... 5	Rewind Starter No. 590749 Tecumseh OH195SA-72566G	..... 15
Drive Assembly	..... 6	Recoil Starter No. 590733 (Optional) Tecumseh OH195SA-72566G	..... 16
Engine Assembly	..... 7	Attachments and Accessories List	..... 17
Handle and Control Assembly	..... 8		
Control Assembly	..... 9		
Engine Assembly No. 1 Tecumseh OH195SA-72566G	..... 10		

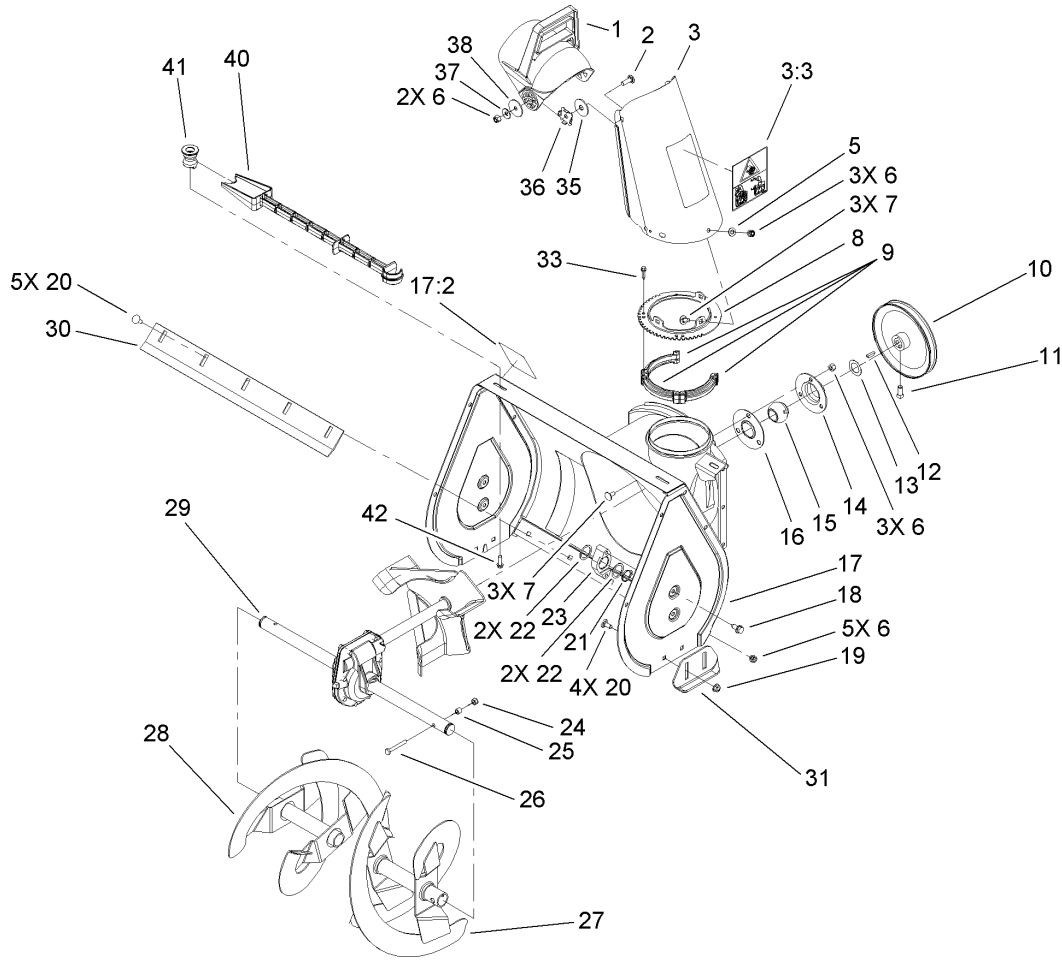
## Part Description Abbreviations

Part descriptions in this catalog may include the following abbreviations.

AR. .... as required	HYD. .... hydraulic
ASM. .... assembly	LH. .... left hand
BBC. .... blade brake clutch	NI. .... nylon insert
CARR. .... carriage	NPTF. .... national pipe thread fine
DEG. .... degrees	PFH. .... phillips flat head
EXT. .... external	PPH. .... phillips pan head
FH. .... flat head	PPHTF. .... phillips pan head thread forming
GA. .... gauge	PRH. .... phillips round head
HD. .... heavy-duty	PTH. .... phillips truss head
HF. .... hex flange	PTO. .... power-take-off
HH. .... hex head	RH. .... right hand
HHF. .... hex head flange	ROPS. .... roll-over protection system
HHFTF. .... hex head flange thread forming	SFH. .... slotted fillister head
HJ. .... hex jam	SHH. .... slotted hex head
HLH. .... hex lag head	SHWH. .... slotted hex washer head
HOC. .... height-of-cut	SPH. .... slotted pan head
HSBH. .... hex socket button head	SQH. .... square head
HSFH. .... hex socket flat head	SRH. .... slotted round head
HSH. .... hex socket head	STD. .... standard
HWH. .... hex washer head	TAP. .... self tapping
HWHTF. .... hex washer head thread forming	TTH. .... torx truss head

## Footnotes

- |  |                                 |
|--|---------------------------------|
| ❶ Not illustrated                        | ❷ Not serviced separately       |
| ❸ Obtain from your local Tecumseh dealer | ❹ Included in Repair Kit 632760 |
| ❺ Included in Gasket Set 36720           |                                 |

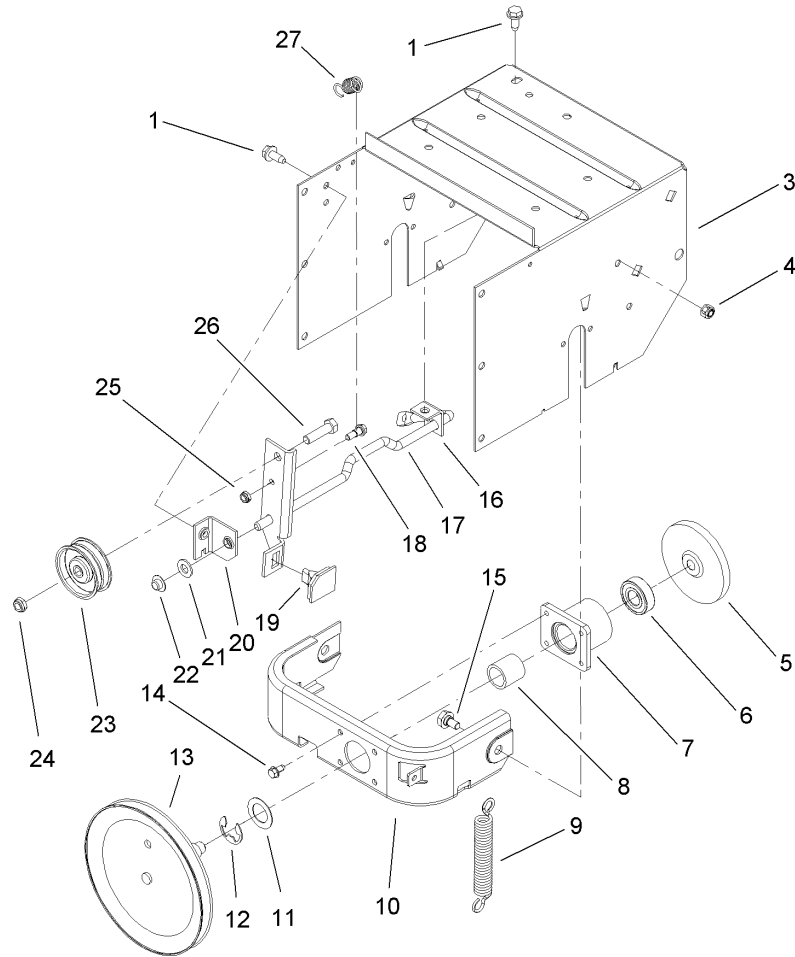


## Auger Housing Assembly

Ref	Part No.	Qty.	Description
1	56-2680	1	Chute-Deflector
2	3230-22	2	Screw-CARR
3	112-6605	1	Chute ASM
3:3	112-6620	1	Decal-Danger, Discharge
5	3256-23	3	Washer-Flat
6	3296-29	13	Nut-Lock, NI
7	3230-18	6	Screw-CARR
8	37-8941-03	1	Ring-Chute
9	37-6490	3	Ring-Chute, Retainer
10	37-6890	1	Pulley
11	3242-4	2	Screw-Set, SQH
12	3257-23	1	Key-Woodruff
13	3-0737	1	Washer
14	26-6110	1	Flange-Cup, Bearing
15	63-3450	1	Bearing-Ball
16	26-6120	1	Flange-Cup, Bearing
17	112-6641	1	Auger Housing ASM
17:2	107-3040	1	Decal-Danger, Auger
18	32144-70	4	Screw-HWHTF
19	32128-20	4	Nut-HF
20	3230-1	9	Bolt-CARR
21	32151-36	2	Ring-Retaining
22	5-1550	4	Washer
23	37-6550	2	Bearing-Auger

Ref	Part No.	Qty.	Description
24	3296-42	2	Nut-Lock, NI
25	66-8010	2	Spacer-Hub, Impeller
26	321-11	2	Screw-HH
27	98-2271-03	1	Auger-LH
28	98-2270-03	1	Auger-RH
29	37-6962	1	22 Inch Gear Case ASM
30	100-3554-01	1	Blade-Scraper
31	40-8160-01	2	Skid
33	27-0220	6	Screw-Special
35	20-4320	2	Washer-Rubber
36	55-8950	2	Plate-Friction
37	3290-456	2	Washer-Belleville
38	3256-68	2	Washer-Flat
40	110-3408	1	Stick-Cleanout
41	110-6275	2	Holder-Stick
42	46-8091	2	Screw-HWH

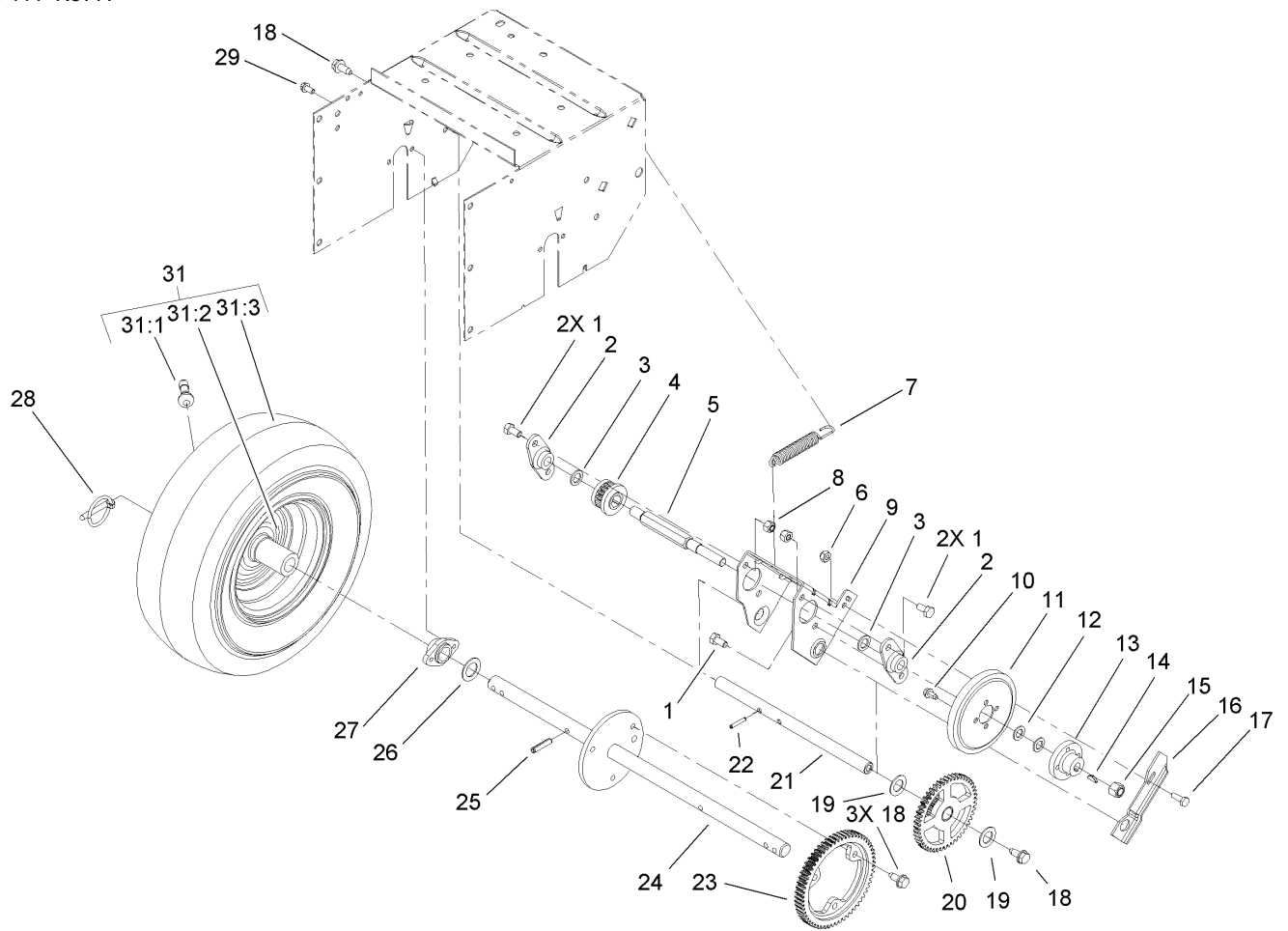




## Frame Assembly

Ref	Part No.	Qty.	Description
1	32144-70	2	Screw-HWHTF
3	37-8900-01	1	Frame-Traction
4	3296-29	2	Nut-Lock, NI
5	38-0800	1	Plate-Friction
6	100-1048	1	Bearing-Ball
7	88-0560	1	Hub-Frame, Traction
8	256-322	1	Bushing
9	37-8870	1	Spring-Plate, Friction
10	88-0550-03	1	Frame-Front
11	252-80	1	Washer-Thrust
12	32151-103	1	Ring-Snap
13	88-0850	1	Pulley And Drive ASM
14	32144-4	4	Screw-HWH
15	37-8770	2	Bolt-Shoulder
16	37-9070	1	Bracket-Mount, Rear
17	40-6511-03	1	Auger Clutch Rod ASM
18	42-3560	1	Bolt-Shoulder
19	66-8060	1	Pad-Brake
20	66-6790	1	Bracket-Mount, Front
21	3256-24	1	Washer-Flat
22	3290-320	1	Retainer-Push On
23	3-4244	1	Pulley-Idler
24	3296-59	1	Nut-Lock, NI
25	3296-56	1	Nut-Lock, NI

Ref	Part No.	Qty.	Description
26	323-29	1	Screw-HH
27	53-7570	1	Spring

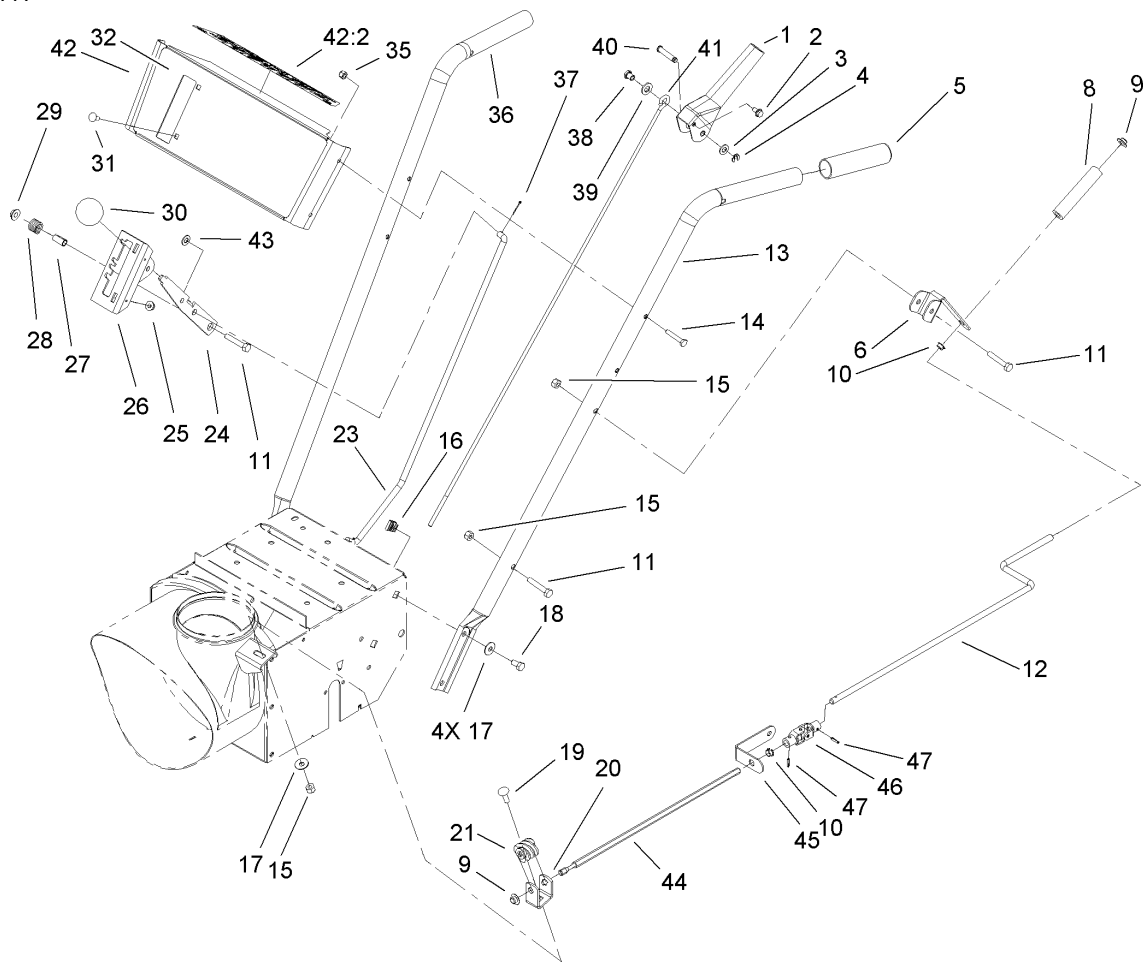


## Drive Assembly

Ref	Part No.	Qty.	Description
1	322-2	4	Screw-HH
2	20-1620	2	Bearing-Wheel, Friction
3	5-7570	2	Washer-Flat
4	37-6500	1	Pinion
5	37-6780	1	Shaft-Wheel, Friction
6	3296-16	1	Nut-Lock, NI
7	37-8880	1	Spring-Traction
8	3296-29	4	Nut-Lock, NI
9	39-1230	1	Bracket-Sliding
10	32144-4	4	Screw-HWH
11	37-6570	1	Wheel-Friction
12	36-4790	2	Washer-Thrust
13	39-1520	1	Hub-Wheel, Friction
14	3257-24	1	Key-Woodruff
15	3296-48	1	Nut-Lock, NI
16	39-1250	1	Cam-Receiver
17	321-4	1	Screw-HH
18	32144-70	5	Screw-HWHTF
19	10-9280	2	Washer-Special
20	37-9160	1	Internal Gear And Bushing ASM
21	37-6760	1	Shaft-Pivot
22	32121-45	2	Pin-Spring
23	37-6520	1	Gear-Axle
24	74-1350	1	Shaft-Axle

Ref	Part No.	Qty.	Description
25	32121-9	2	Pin-Roll, Slotted
26	3-8664	2	Washer-Thrust
27	37-6850	2	Bearing-Axle
28	3290-243	2	Pin-Lynch
29	32144-4	4	Screw-HWH
① 30		1	LH Wheel And Tire ASM
①30:1	232-27	1	Stem-Valve
①30:2	241-131	1	Rim-Wheel
①30:3	112-6609	1	Tire
②31		1	RH Wheel And Tire ASM
31:1	232-27	1	Stem-Valve
31:2	241-131	1	Rim-Wheel
31:3	112-6609	1	Tire

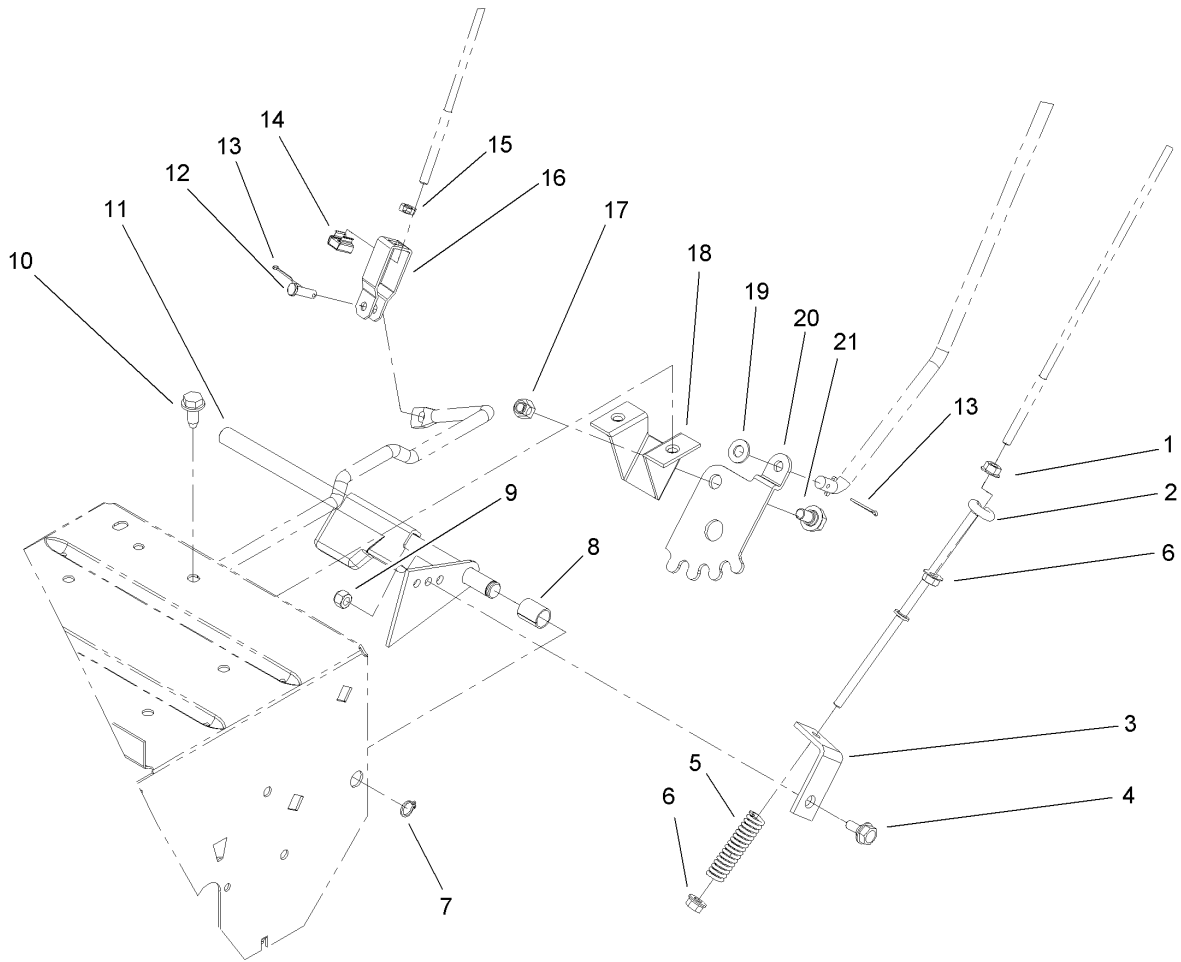




## Handle and Control Assembly

Ref	Part No.	Qty.	Description
1	94-8887-03	2	Handle-Control
2	3234-13	2	Screw-HHF
3	3256-23	2	Washer-Flat
4	32151-73	2	Ring-Clip
5	112-6615	2	Grip-Handle
6	110-6297	1	Bracket-Rod, Upper Chute
8	40-8230	1	Grip-Control, Chute
9	3290-320	2	Retainer-Push On
10	256-249	2	Bushing
11	322-9	3	Screw-HH
12	110-6293	1	Rod-Chute, Upper
13	110-6296-03	1	Handle-Left
14	321-9	4	Screw-HH
15	3296-29	3	Nut-Lock, NI
16	3290-196	4	Nut
17	3290-456	5	Washer-Belleville
18	322-2	4	Screw-HH
19	3230-22	1	Screw-CARR
20	110-6298	1	Bracket-Worm
21	40-8250	1	Gear-Worm, Chute
23	39-7570	1	Rod-Selector, Speed
24	37-8820-03	1	Selector-Speed
25	32128-33	2	Nut-HF
26	39-1280-03	1	Mount-Selector, Speed

Ref	Part No.	Qty.	Description
27	40-8130	1	Spacer
28	37-9150	1	Spring
29	32128-13	1	Nut-HF
30	233-21	1	Knob
31	3229-11	2	Screw-CARR
32	112-6638	1	Decal-Escutcheon
35	3296-42	4	Nut-Lock, NI
36	52-5561-03	1	Handle-Right
37	3272-4	1	Pin-Cotter
38	47-4990	2	Post-Mounting, Linkage
39	3256-24	2	Washer-Flat
40	52-5600	2	Pin-Lever, Control
41	52-5590	2	Link-Upper
42	112-6643	1	Escutcheon Panel ASM
42:2	112-6624	1	Decal-Escutcheon, Back
43	3256-23	1	Washer-Flat
44	110-6292	1	Rod-Chute, Lower
45	110-6295	1	Bracket-Rod, Lower
46	94-2686	1	Joint-Universal
47	32121-73	2	Pin-Roll

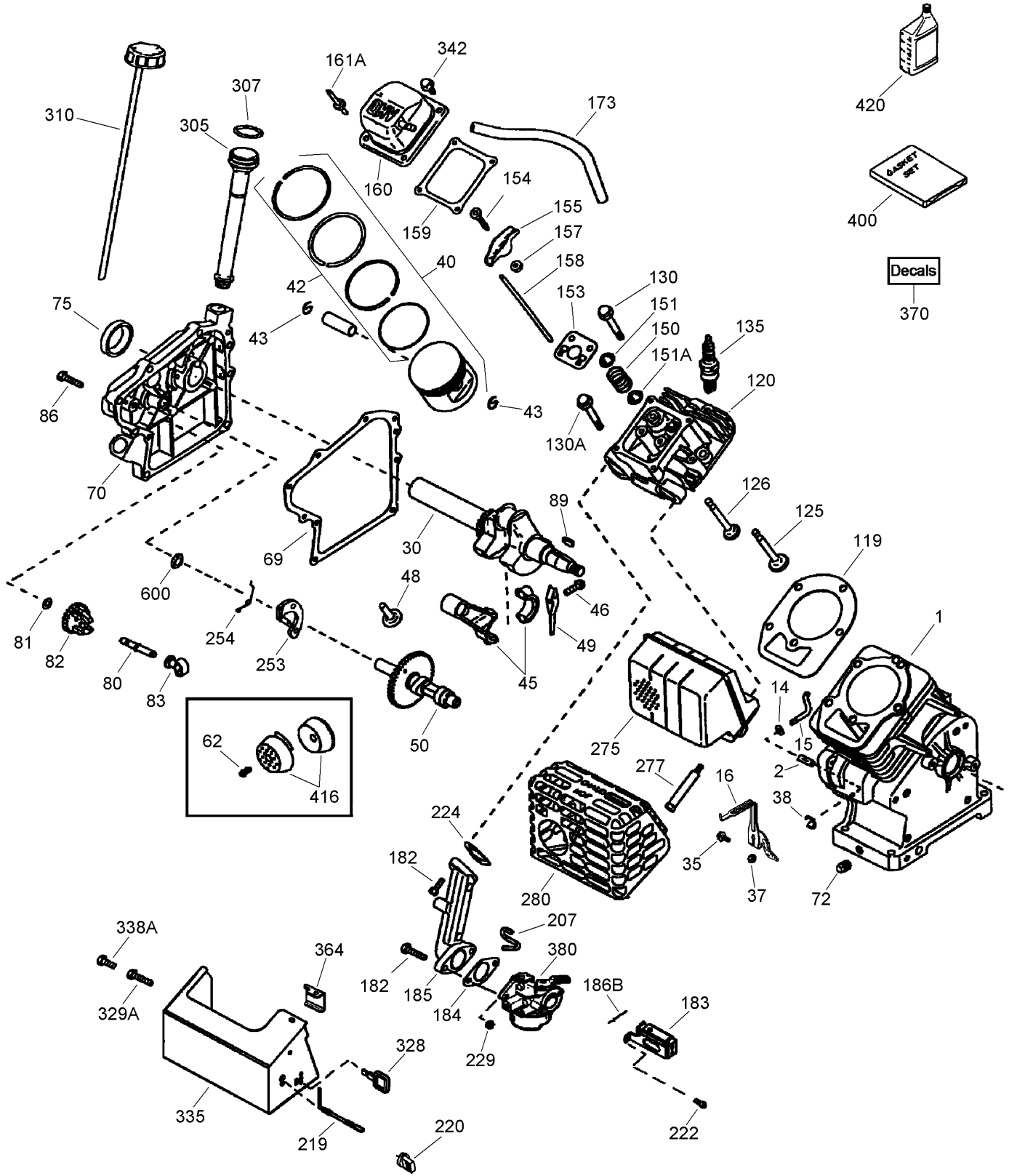


### Control Assembly

Ref	Part No.	Qty.	Description
1	32128-33	1	Nut-HF
2	39-3060	1	Rod-Traction, Lower
3	38-4490	1	Bracket-Traction
4	40-8350	1	Screw
5	38-4520	1	Spring
6	32128-32	2	Nut-HHF
7	32151-61	1	Ring-Retaining
8	40-9680	1	Spacer
9	3296-42	1	Nut-Lock, NI
10	32144-70	2	Screw-HWHTF
11	43-7310-03	1	Traction Arm ASM
12	1-808265	1	Pin-Clevis
13	3272-4	2	Pin-Cotter
14	32115-5	1	Nut-Retained
15	3218-1	1	Nut-Jam
16	39-3080	1	Clevis
17	3296-29	1	Nut-Lock, NI
18	37-8790	1	Mount-Lever
19	3256-23	1	Washer-Flat
20	37-8800	1	Gear-Quadrant
21	37-8770	1	Bolt-Shoulder


# Engine Assembly No. 1

## Tecumseh OH195SA-72566G

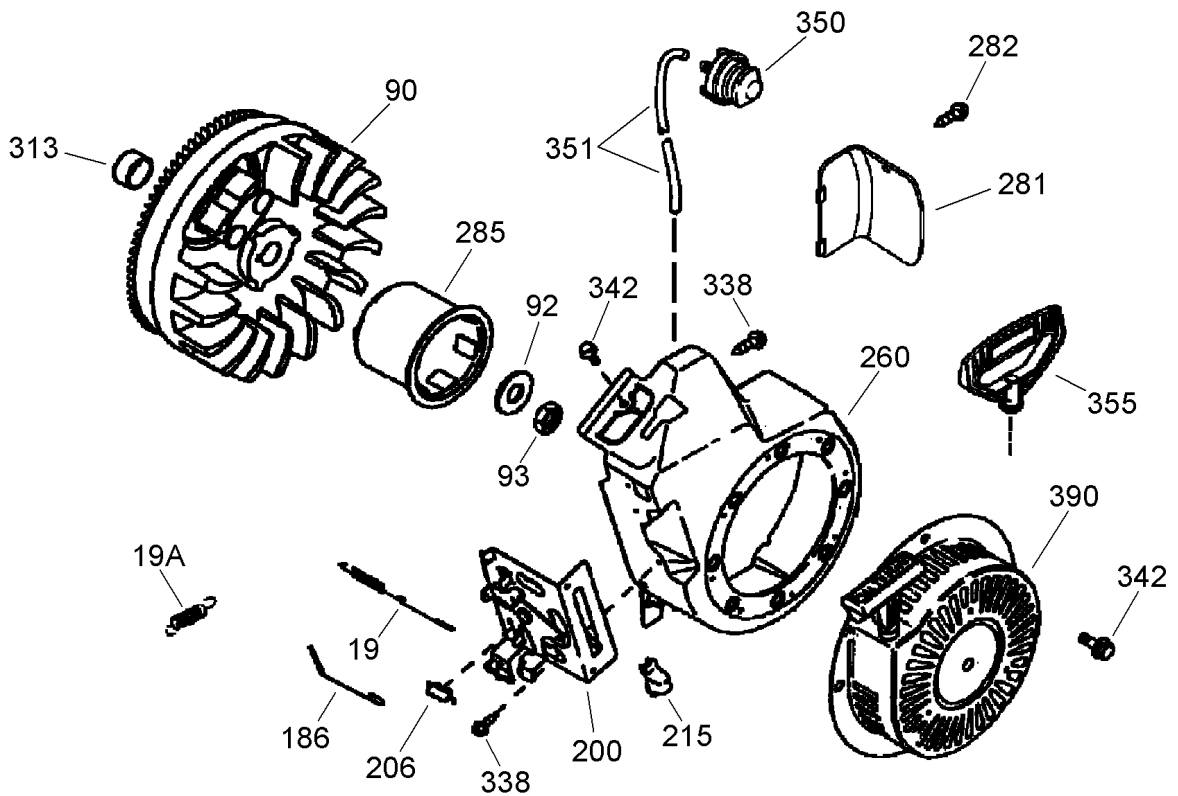
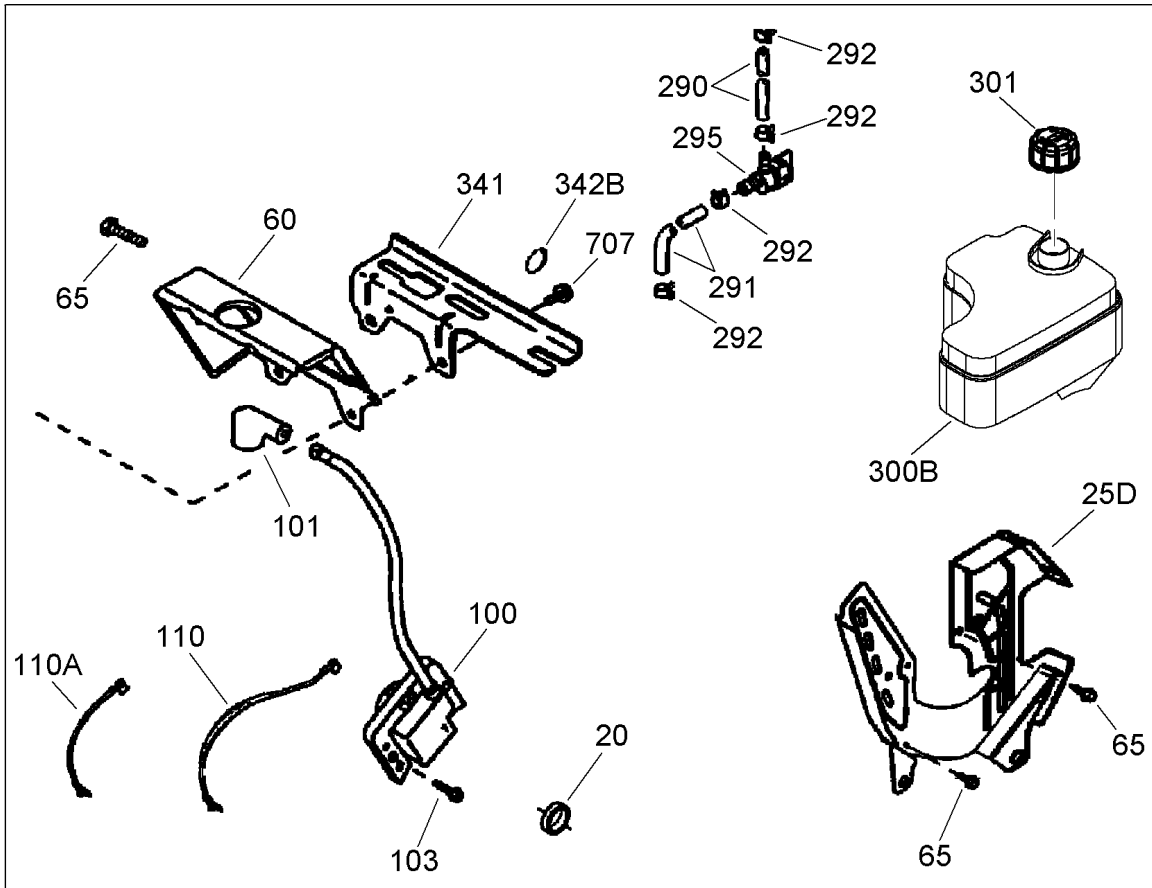


# Engine Assembly No. 1

## Tecumseh OH195SA-72566G

Ref	Part No.	Qty.	Description	Ref	Part No.	Qty.	Description
①1	37120B	1	Cylinder ASM (Including 2, 20, 72, 72A, 325 And 325A)	①158	36629	2	Rod-Push
①2	26727	2	Pin-Dowel	①159	35626	1	Gasket-Cover, Rocker Arm
①14	651052	1	Washer	①160	36630B	1	Cover-Arm, Rocker
①15	37108	1	Rod-Governor (Including 38)	①161A	651012	1	Stud
①16	37110	1	Lever-Governor	①173	37676	1	Tube-Breather
①30	34740	1	Crankshaft ASM	①182	650451	4	Screw (1/4-20 X 1)
①35	651053	1	Screw (10-32 X 63/64)	①183	36867	1	Bracket-Choke
①37	651116	1	Nut-Square	①184	26756	1	Gasket-Carburetor To Intake Pipe
①38	37109	1	Ring-Retaining	①185	36631	1	Pipe-Intake
①40	40004	1	Piston, Pin And Ring Set (STD)	①186B	36652	1	Spring-Choke
①40	40005	1	Piston, Pin And Ring Set (.010 Os)	①207	36632	1	Link-Throttle
①42	40006	1	Ring Set (STD)	①219	36868	1	Rod-Choke
①42	40007	1	Ring Set (.010 Os)	①220	35438	1	Knob-Control
①43	20381	2	Ring-Retaining, Piston Pin	①222	28820	2	Screw (10-32 X 1/2)
①45	32875A	1	Connecting Rod ASM (Including 46 And 49)	①224	36581	1	Gasket-Pipe, Intake
①46	32610A	2	Bolt-Rod, Connecting	①229	650852	4	Nut (1/4-20)
①48	35616A	1	Lifter-Valve	①253	36701	1	Weight-Release, Compression
①49	36611	1	Dipper-Oil	①254	36702	1	Spring-Release, Compression
①50	37040	1	Camshaft (Including 150, 253 And 254)	①275	37595A	1	Discharge-Muffler, Carburetor Side
①62	650760	1	Screw (8-32 X 3/8)	①277	650988	2	Screw (1/4-20 X 2-9/32)
①69	36624	1	Gasket-Cover, Cylinder	①280	37069	1	Shield-Heat
①70	36625	1	Cover-Cylinder (Includes 75 Thru 83)	①305	36877	1	Tube-Fill, Oil
①72	27642	3	Plug-Drain, Oil (SQH 1/4-18)	①307	35499	1	O-Ring
①75	27897	1	Seal-Oil	①310	36878	1	Dipstick
①80	30574A	1	Shaft-Governor	①328	35062	1	Key-Ignition (Also Available In Packaged Part 740077)
①81	30590A	1	Washer	①329A	651060	1	Screw (8-32 X 23/64)
①82	30591	1	Governor Gear ASM	①335	36873A	1	Cover-Carburetor
①83	36057	1	Spool-Governor	①338A	28942	1	Screw (10-32 X 3/8)
①86	650488	8	Screw (1/4-20 X 1-1/4)	①342	651008	9	Screw (1/4-20 X 31/64)
①89	610961	1	Key-Flywheel (Also Available In Packaged Part 740007B)	①364	36872	1	Bracket-Cover, Carburetor
①119	36719	1	Gasket-Head, Cylinder	①370	36899	1	Decal - Speed Control, Choke And Key
①120	37474	1	Head-Cylinder (Includes 151A)	①370	36534A	1	Instruction Decal - Caution - Read Owner's Manual
①125	36471	1	Valve-Exhaust (STD) (Includes 151)	①370	36501	1	Decal - Primer - International Symbol
①125	36472	1	Valve-Exhaust (1/32 Os) (Includes 151)	①370	36695	1	Decal - Tecumseh Logo For Top Of Recoil Starter
①126	37711	1	Valve-Intake (STD) (Includes 151 And 151A)	①370	37948	1	Decal - Hot Surfaces
①130	650912	4	Screw (5/16-18 X 1-1/2)	①380	640058A	1	Carburetor ASM (Includes 184)
①130A	650999	1	Screw (5/16-18 X 2-41/64)	①400	36720	1	Gasket Set
①135	34645	1	Spark Plug-Resistor (R N 4C)	①416	36085	1	Spark Arrestor Kit (Includes 151)
①150	37039	2	Spring-Valve	①420	730226A	0	Oil-Engine
①151	31673	2	Cap-Valve, Spring	①600	651013	1	Washer
①151A	40016A	1	Seal-Valve, Intake	①708	907366A	1	Engine Replacement
①153	36649	1	Guide-Rod, Push	①709	754300C	1	Short Block Replacement
①154	650913	2	Stud-Arm, Rocker	①999	730286	1	Winter Maintenance Kit (Includes 5W30 Oil)
①155	35624A	2	Arm-Rocker	①999	730296	1	Winter Maintenance Kit (Includes 0W30 Synthetic Oil)
①157	650914	2	Nut (1/4-28)				

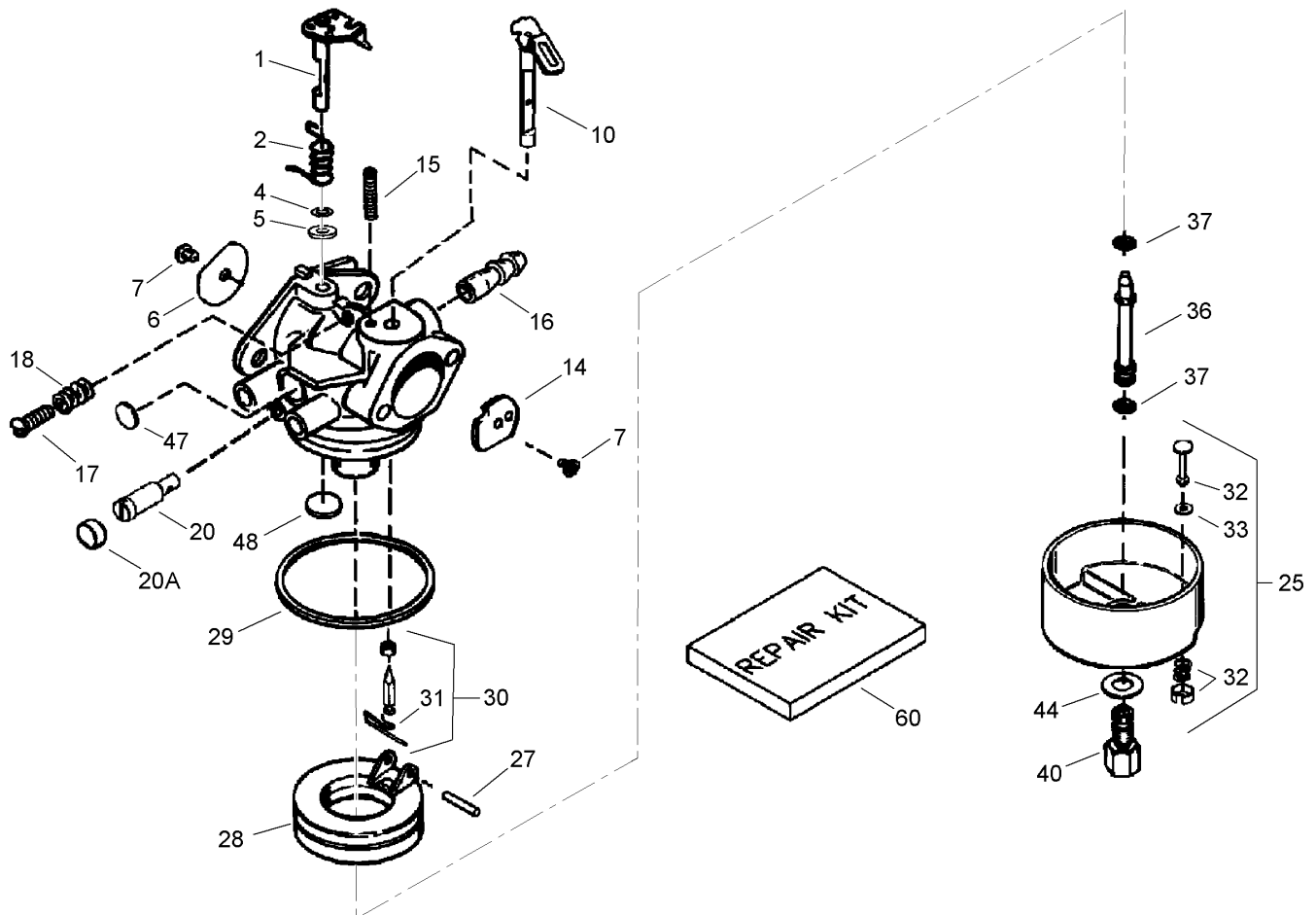
# Engine Assembly No. 2 Tecumseh OH195SA-72566G



## Engine Assembly No. 2

### Tecumseh OH195SA-72566G

Ref	Part No.	Qty.	Description				
③19	37111	1	Spring-Throttle				
③19A	36750	1	Spring-Governor				
③20	32600	1	Seal-Oil				
③25D	37710	1	Baffle-Air (1 Piece, Electric Start)				
③60	36623A	1	Extension-Housing, Blower				
③65	30200	3	Screw (10-24 X 9/16)				
③90	611205	1	Flywheel				
③92	650815	1	Washer-Belleville				
③93	650816	1	Nut-Flywheel				
③100	34443C	1	Ignition-Solid State				
③101	610118	1	Cover-Spark Plug				
③103	651007	2	Screw (T-15, 10-24 X 15/16)				
③110	36230	1	Wire-Ground (Green, 9.0)				
③110A	36874	1	Wire-Ground (Green, 5.5)				
③186	36711	1	Link-Governor				
③200	36824A	1	Bracket-Control (Includes 206 And 215)				
③206	610973	2	Terminal				
③215	32410	1	Knob-Control				
③260	36901	1	Housing-Blower				
③281	36907A	1	Cover-Bubble, Starter				
③282	651035	1	Screw (6-32 X 25/64)				
③285	35985C	1	Cup-Starter				
③290	37963	1	Line-Fuel (16.0)				
③291	37962	1	Line-Fuel (8.62)				
③292	26460	4	Clamp-Line, Fuel				
③295	35857	1	Valve-Shut-Off, Fuel (Includes 292) (Also Available In Packaged Part 740073)				
③300B	37048	1	Fuel Tank ASM (Includes 292 And 301) 3.5 Quart				
③301	37845	1	Cap-Fuel (Red Plastic)(1-1/2 Id)				
③313	34080	1	Spacer				
③338	650821	8	Screw (10-32 X 1/2)				
③341	36644A	1	Bracket-Tank, Fuel				
③342	651008	9	Screw (1/4-20 X 31/64)				
③342B	651086	2	Washer-Rubber				
③350	570682A	1	Primer ASM (Also Available In Packaged Part 740101)				
③351	32180C	1	Line-Primer				
③355	590574	1	Handle-Starter, Mitten Grip (Also Available In Packaged Part 740053B)				
③390	590749	1	Starter-Rewind				
③707	651085	2	Screw (1/4-20 X 19/32)				



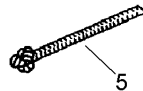
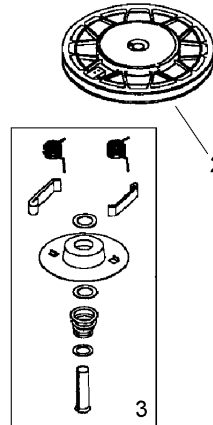
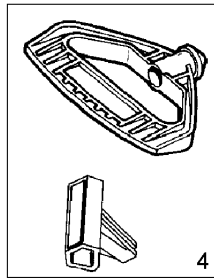
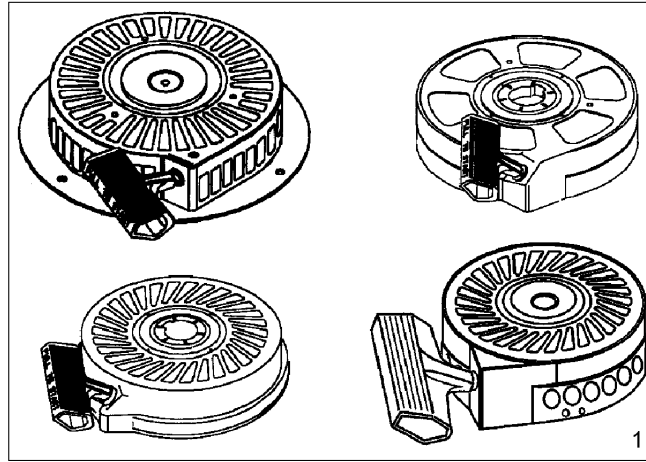
## Carburetor Assembly No. 640058A Tecumseh OH195SA-72566G

Ref	Part No.	Qty.	Description
30	640058A	1	Carburetor
31	631615	1	Throttle Shaft And Lever ASM
32	631767	1	Spring-Return, Throttle
34	631184	1	Washer-Seal, Dust
35	631183	1	Dust Seal (Throttle)
36	631036	1	Shutter-Throttle
37	650506	2	Screw-Shutter
38	632118	1	Choke Shaft And Lever ASM
39	631890	1	Shutter-Choke
40	630735	1	Spring-Positioning, Choke
41	632164	1	Fitting-Fuel
42	651025	1	Screw-Throttle Crack/Idle Speed
43	630766	1	Spring-Tension
44	640027	1	Spring-Restrictor, Idle
45A	640053	1	Cap-Screw, Idle Restrictor
46	631951	1	Float Bowl ASM
46	631867	1	Bowl-Float (No Drain)
47	631024	1	Shaft-Float
48	632802	1	Float (Plastic)
49	631028	1	O-Ring, Float Bowl
50	631021	1	Inlet Needle, Seat And Clip ASM
51	631022	1	Clip-Spring
52	27136A	1	Bowl Drain ASM
53	27554	1	Gasket-Plunger,

Ref	Part No.	Qty.	Description
36	640019	1	Tube-Nozzle, Main
37	632547	2	O-Ring, Main Nozzle Tube
40	640059	1	Nut-Bowl, High Speed
44	27110A	1	Washer-Nut, Bowl
47	630748	1	Plug-Welch, Idle Mixture Well
48	631027	1	Plug-Welch, Atmospheric Vent
60	632760	1	Repair Kit



This illustration may not depict actual equipment and is for reference purposes only



## Recoil Starter No. 590733 (Optional) Tecumseh OH195SA-72566G

Ref	Part No.	Qty.	Description
❶	590733	1	Starter-Rewind
❷	590709	1	Pulley And Rewind Spring ASM
❸	590774	1	Repair Kit
❹	590574	0	Handle-Starter, Mitten Grip (Also Available In Packaged Part #740053B)
❺	590535	1	98 Starter Rope (Cut To Length)

--	--	--	--

# Attachments and Accessories

## For 38606 - 622R Power Throw Snowthrower

Product Name	Model/Part
22 Inch Drift Breaker .....	37-7022
Tire Chain Kit .....	56-2700
Snow Cab .....	88-0600

# NOTES

# NOTES

