



Discharge Side Rear Anti-Scalp Roller Kit

For Z Master Mowers

Model No. 112-1792

Installation Instructions

Note: Determine the left and right sides of the machine from the normal operating position.

This kit is for Z400 Z Masters with 52 inch mower decks and Z500 Z Master Estate Models.

Loose Parts

Use the chart below to verify that all parts have been shipped.

Step	Description	Qty.	Use
1	No parts required	–	Prepare the mower.
2	Inside mounting plate Outside mounting plate Carriage bolt (3/8 x 3/4 inch) Nut (3/8 inch) Bolt (3/8 x 4-1/2 inches) Anti-scalp roller Bushing Spacer	1 1 4 5 1 1 1 1	Install the new mounting plate.

Step

1

Preparing the Mower

No Parts Required

Procedure

1. Thoroughly clean mower deck. All debris must be removed to ensure the mounting bracket will fit properly against mower deck.
2. Repair all bent or damaged areas of mower deck and replace any missing parts.

Step

2

Installing the Anti-scalp Roller and Brackets

Parts needed for this step:

1	Inside mounting plate
1	Outside mounting plate
4	Carriage bolt (3/8 x 3/4 inch)
5	Nut (3/8 inch)
1	Bolt (3/8 x 4-1/2 inches)
1	Anti-scalp roller
1	Bushing
1	Spacer

Procedure

1. Loosely install the inside bracket to the mower deck with 2 carriage bolts (3/8 x 3/4 inch) and 2 nuts (3/8 inch) as shown in Figure 1.

Do not tighten these bolts. These will be tightened after all parts are loosely installed.

2. Loosely install the outside bracket to the mower deck with 2 carriage bolts (3/8 x 3/4 inch) and 2 nuts (3/8 inch) as shown in Figure 1.

Do not tighten these bolts. These will be tightened after all parts are loosely installed.

3. Install the anti-scalp roller, spacer, and bushing between the two mounting brackets with a bolt (3/8 x 4-1/2 inches) and nut (3/8 inch)(Figure 1).

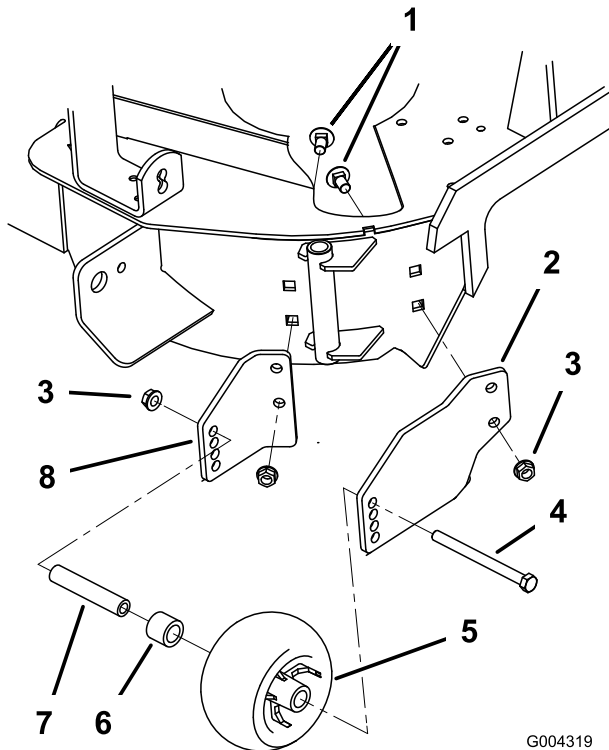


Figure 1

G004319

- | | |
|-----------------------------------|----------------------|
| 1. Carriage bolt (3/8 x 3/4 inch) | 5. Anti-scalp roller |
| 2. Outside bracket | 6. Bushing |
| 3. Nut (3/8 inch) | 7. Spacer |
| 4. Bolt (3/8 x 4-1/2 inches) | 8. Inside bracket |

-
4. Tighten the bolts holding the mounting brackets to the mower deck (Figure 1).
 5. Tighten the bolt for the anti-scalp roller.