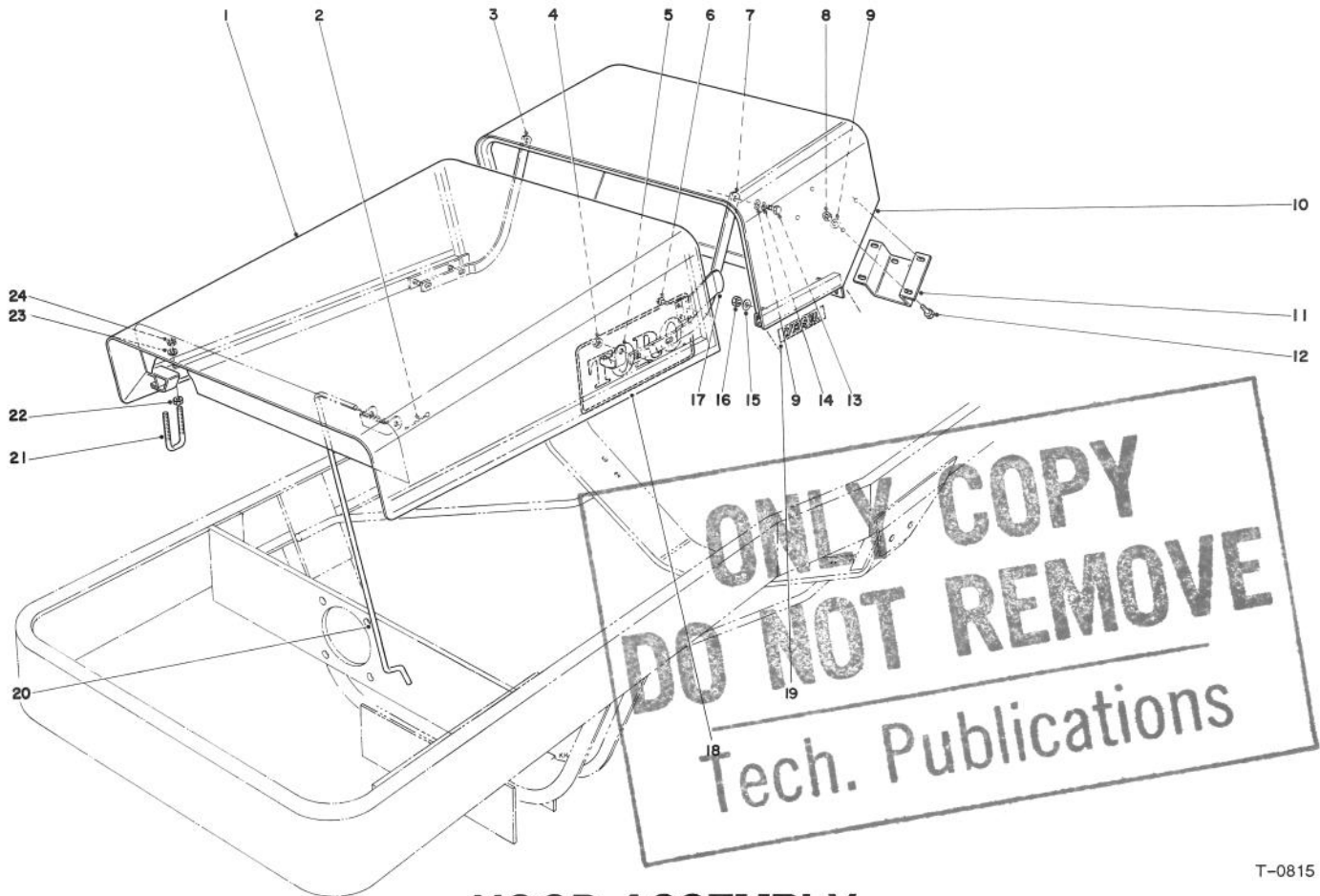




MODEL NO. 33677-10001 7 UP

PARTS
CATALOG

PARKMASTER 7 (Diesel)

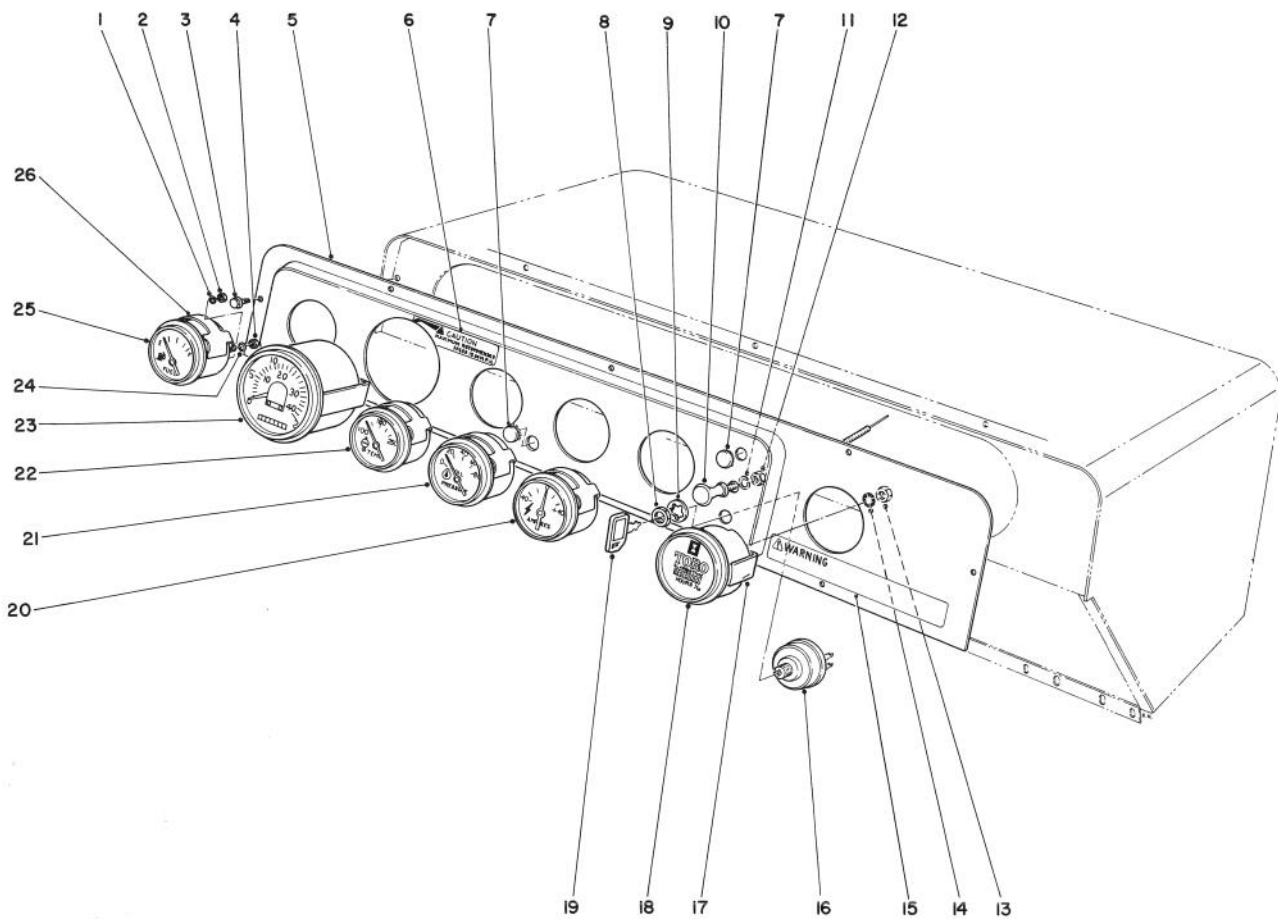


T-0815

HOOD ASSEMBLY

Ref. No.	Part No.	Description	No. Used
1	18-0630	Hood	1
2	3272-9	Pin - Cotter	1
3	18-0760	Arm - Pivot, R.H.	1
4	32128-29	Nut - Lock	4
5	18-1270	Clip - Hood	1
6	32140-32	Screw	4
7	18-0750	Arm - Pivot, L.H.	1
8	32153-3	Nut - Lock	4
9	3256-23	Washer - Flat	6
10	18-0560	Cowl	1
11	18-0770	Support - Column, Steering	1
12	322-2	Screw - Cap, Hex. Hd.	4

Ref. No.	Part No.	Description	No. Used
13	322-1	Screw - Cap, Hex. Hd.	2
14	3253-4	Washer - Lock	2
15	3256-24	Washer - Flat	4
16	32153-2	Nut - Lock	4
17	18-3230	Spring - Support, Hood	2
18	66-6140	Decal - Toro	2
19	19-6060	Decal - Diesel	2
20	19-2970	Prop - Hood	1
21	18-1290	U-Bolt	2
22	3218-1	Nut - Jam	4
23	3253-3	Washer - Lock	4
24	3217-5	Nut - Hex	4

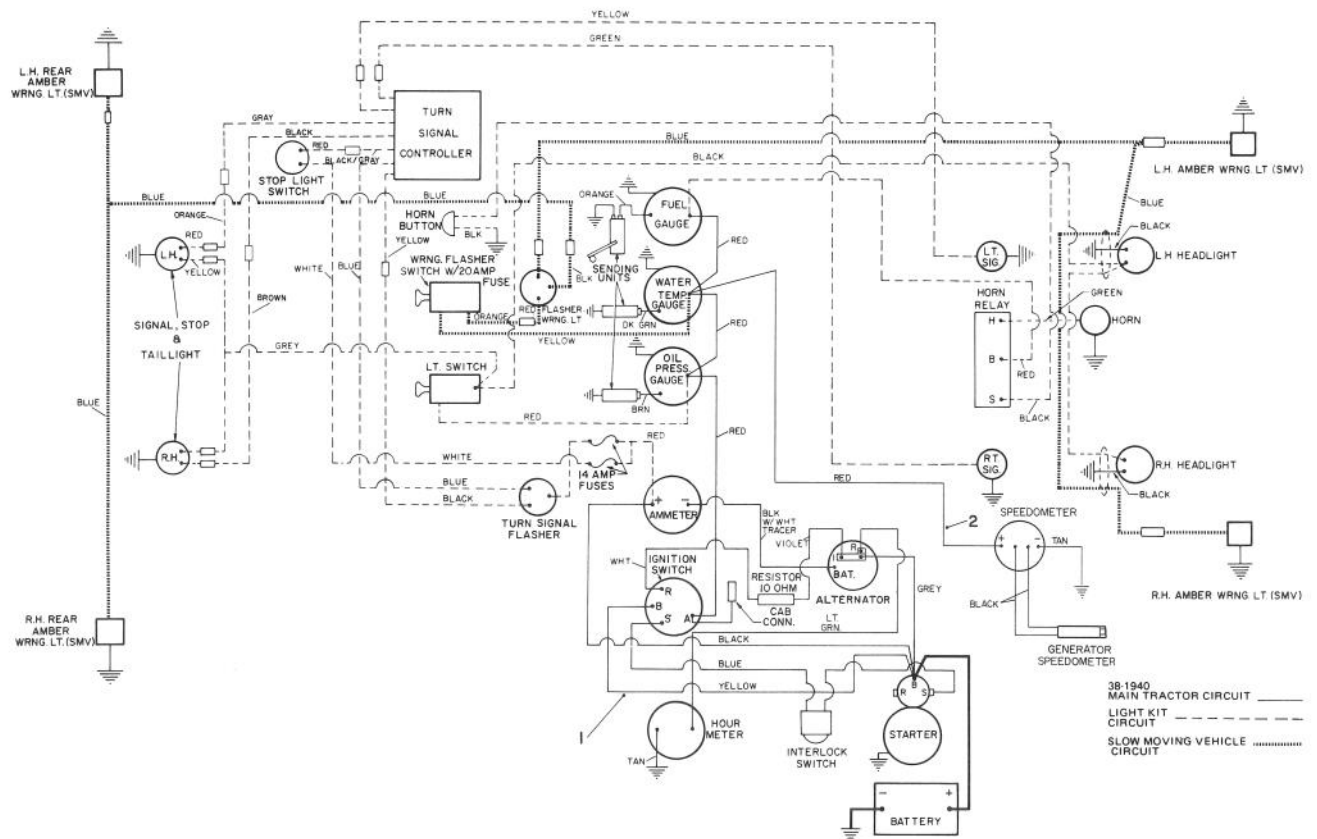


T-0626

DASH ASSEMBLY

Ref. No.	Part No.	Description	No. Used	Ref. No.	Part No.	Description	No. Used
1	3254-9	Washer - Lock	8	17	218-515	Clamp - Hour Meter	1
2	3217-29	Nut - Hex	8	18	63-5320	Hour Meter (Incl. Ref. #17)	1
3	32104-76	Screw - Self Tapping	8	19	63-8360	Key	2
4	3219-14	Nut	8	20	38-1660	Ammeter (Incl. Ref. #26)	1
5	18-1390	Panel - Instrument	1	21	38-1630	Gauge - Oil Pressure (Incl. Ref #26)	1
6	28-1030	Decal - Caution	1	22	38-1640	Gauge - Water Temp. (Incl. Ref. #26)	1
7	2410-13	Plug - Button	2	23	72-9830	Speedometer	1
8	218-446	Nut	1	24	3253-17	Washer - Lock	8
9	218-447	Washer - Lock	1	25	38-1650	Gauge - Fuel (Incl. Ref. #26)	1
10	19-2930	Cable - Fuel Shut Off (Incl. Ref. #9 & 10)	1	26		Bracket - Mounting	4
11	3253-21	Washer - Lock	1				
12	3220-3	Nut - Jam	1				
13	3217-26	Nut - Hex.	1				
14	3254-1	Washer - Lock	1				
15	39-3680	Decal - Warning	1				
16	12-8140	Switch - Ignition (Incl. Ref. #9, 10 & 20)	1				

*Not Illustrated

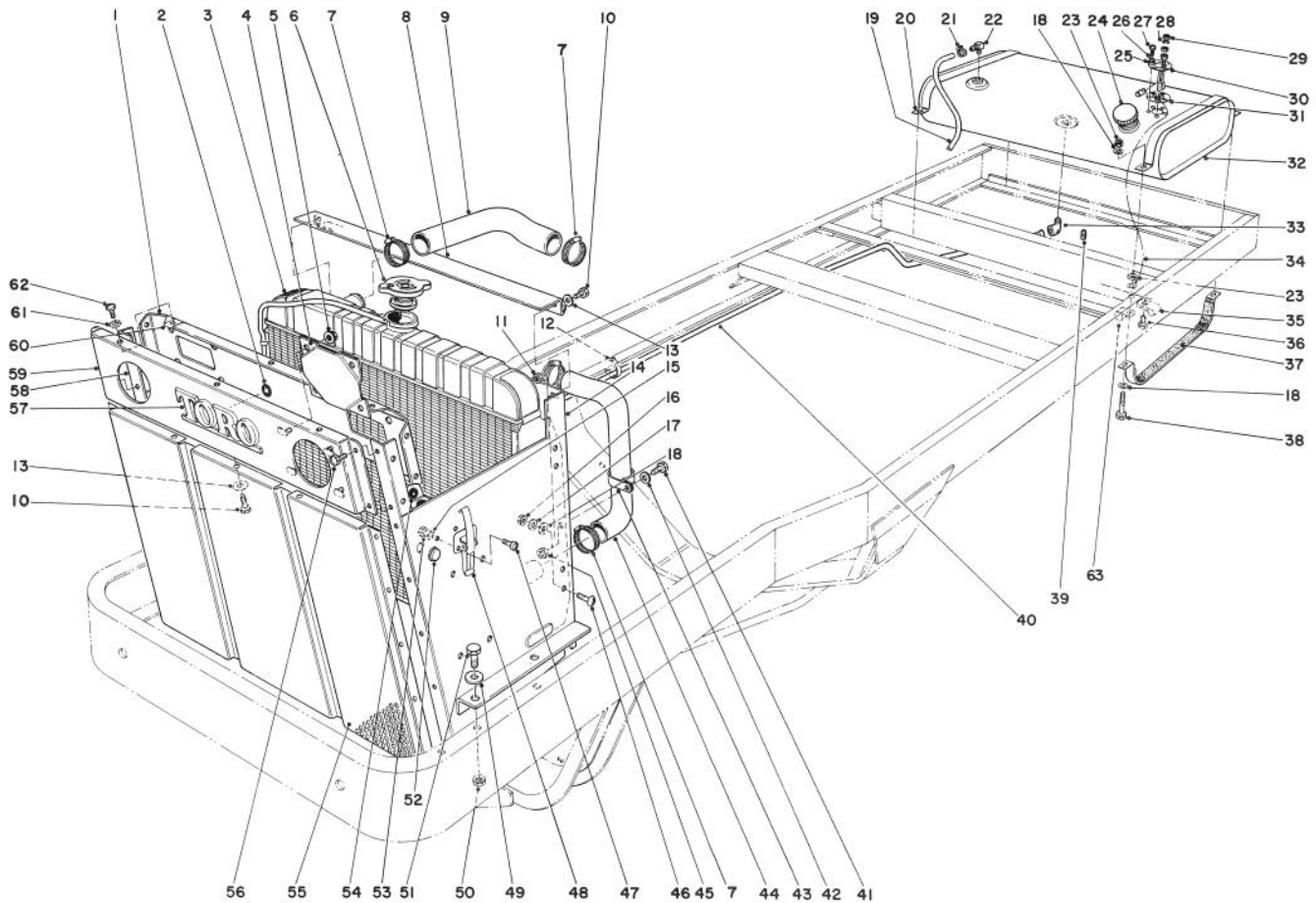


T-0806

ELECTRICAL SCHEMATIC – 12 Volt Negative Ground

Ref. No.	Part No.	Description	No. Used
1	38-1940	Harness – Wiring	1

Ref. No.	Part No.	Description	No. Used
2	72-9860	Harness – Wiring	1

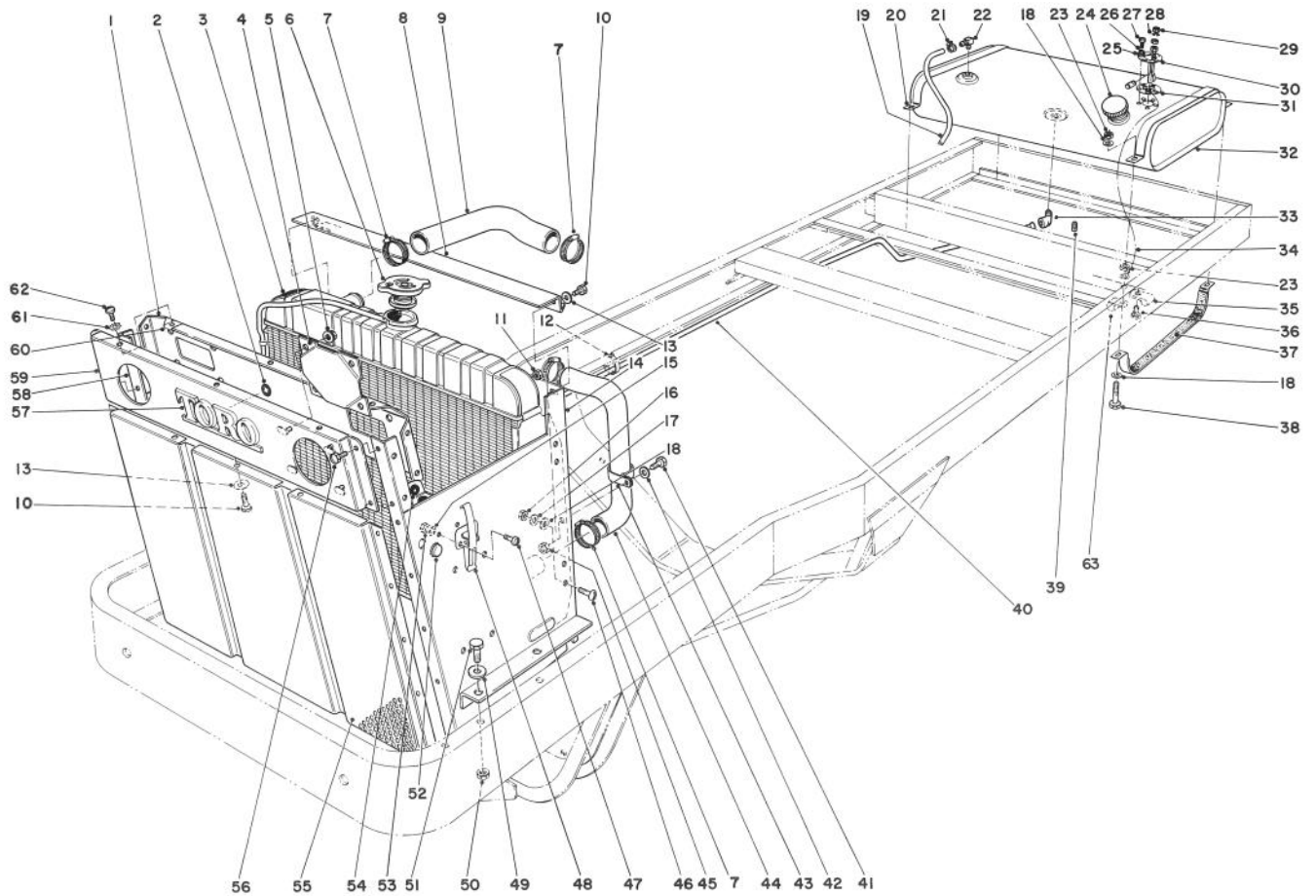


T-0801

RADIATOR AND FUEL TANK ASSEMBLY

Ref. No.	Part No.	Description	No. Used
1	18-1020	Cover - Head Lights	1
2	3290-363	Clip	5
3	62-6880	Radiator	1
4	18-4350	Cover - Headlight Hole	2
5	32128-17	Nut - Flange	8
6	18-2660	Cap - Radiator	1
7	2412-3	Clmp - Hose	4
8	19-3040	Brace - Front, Side Plate	1
9	19-3550	Hose - Radiator, Upper	1
10	321-2	Screw - Cap, Hex. Hd.	7
11	32153-4	Nut - Lock	4
12	3290-379	Strap - Locking	2
13	3256-22	Washer - Flat	7
14	19-3010	Panel - Front, Side L.H.	1
15	3253-17	Washer - Lock	4
16	3217-6	Nut - Hex.	8
17	3253-4	Washer - Lock	8
18	3256-23	Washer - Flat	16
19	19-3260	Hose - Bleed Off	1
20	36-8280	Strap - Fuel Tank	4
21	2412-36	Clamp - Worm Drive	1
22	304-75	Fitting	1
23	32153-3	Nut - Lock	8
24	222-8	Cap - Gas	1
25	237-49	Washer - Nylon	5
26	3254-1	Washer - Lock	5

Ref. No.	Part No.	Description	No. Used
27	3252-16	Screw - Fillister Hd.	5
28	3255-17	Washer - Lock, Ext. Tooth	1
29	3219-14	Nut	1
30	18-2370	Sender - Fuel Level	1
31	18-2380	Gasket - Fuel Sending Unit	1
32	36-8290	Fuel Tank (Incl. Ref. #24)	1
33	27-0130	Elbow - 90°	1
34	3-3868	Wire - Ground	1
35	18-2970	Clip - Fuel Line	1
36	32104-32	Screw - Self Tapping	1
37	3-3824	Strip - Felt, Fuel Tank	4
38	3290-319	Screw - Mach. Hex Hd.	4
39	281-5	Plug - Pipe, Sq. Hd.	1
40	44-2630	Fuel Line	1
41	323-4	Screw - Cap, Hex. Hd.	1
42	3256-24	Washer - Flat	1
43	2412-44	Clamp - Hose	1
44	19-3560	Hose - Radiator, Lower	1
45	32153-2	Nut - Lock	2
46	32122-14	Screw - Mach. Rd. Hd.	8
47	3252-2	Screw - Fillister Hd.	4
48	249-10	Clamp - Hood	2
49	3256-26	Washer - Flat	4
50	32153-5	Nut - Lock	4
51	325-20	Screw - Cap, Hex. Hd.	4

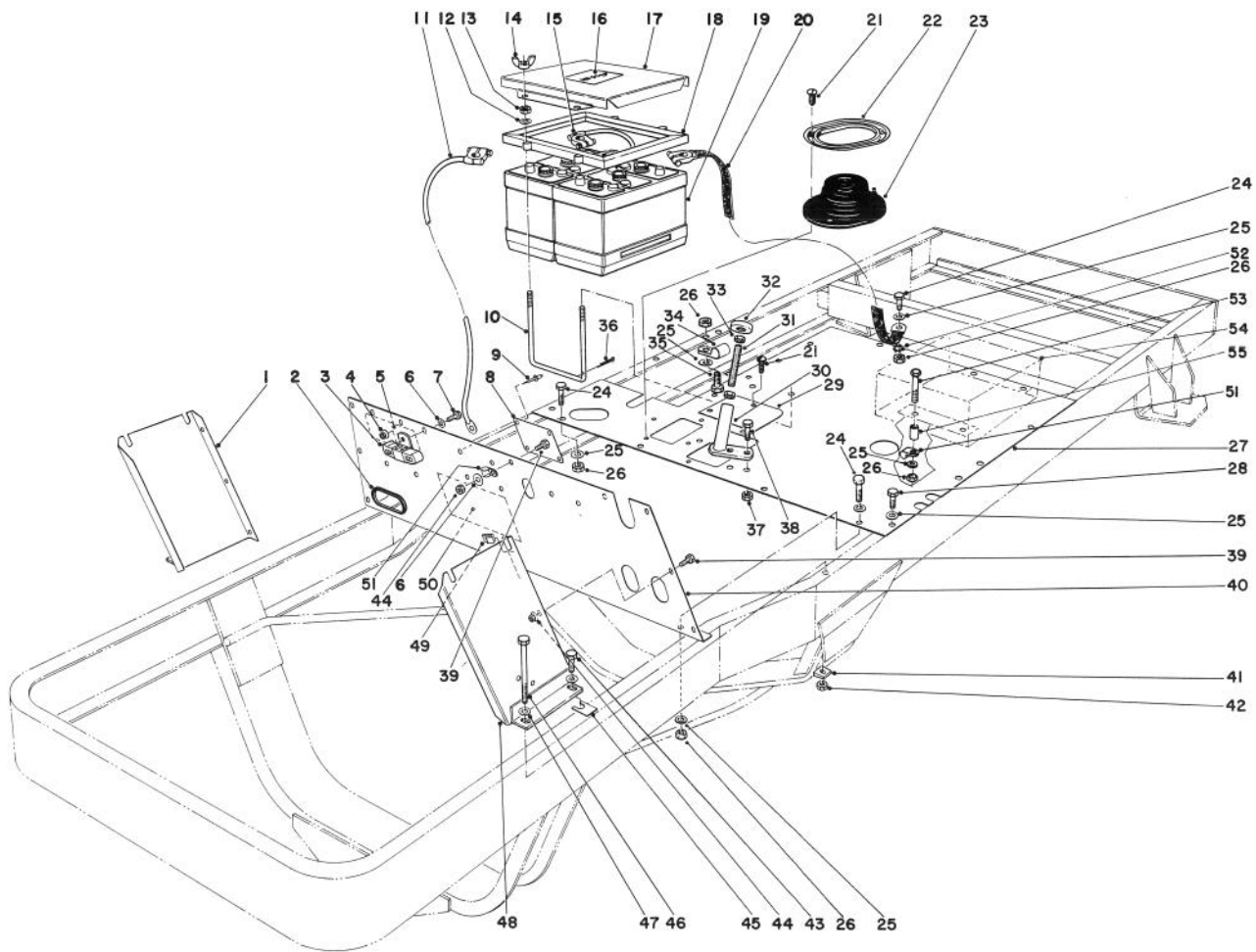


T-0801

RADIATOR AND FUEL TANK ASSEMBLY (Continued)

Ref. No.	Part No.	Description	No. Used
52	2410-13	Plug - Button	2
53	3217-26	Nut - Hex.	4
54	237-37	Bumper - Rubber	4
55	18-0960	Grille	1
56	32140-42	Screw - Self Tapping	14
57	25-9650	Emblem - Toro	1

Ref. No.	Part No.	Description	No. Used
58	19-2980	Panel - Front, Side R.H.	1
59	37-2230	Panel - Headlight	1
60	3290-192	Clip	7
61	3255-7	Washer - Lock, Ext. Tooth	7
62	3290-145	Screw - Pan Hd.	7
63	2412-10	Clamp	1



T-0802

TOE BOARD AND BATTERY ASSEMBLY

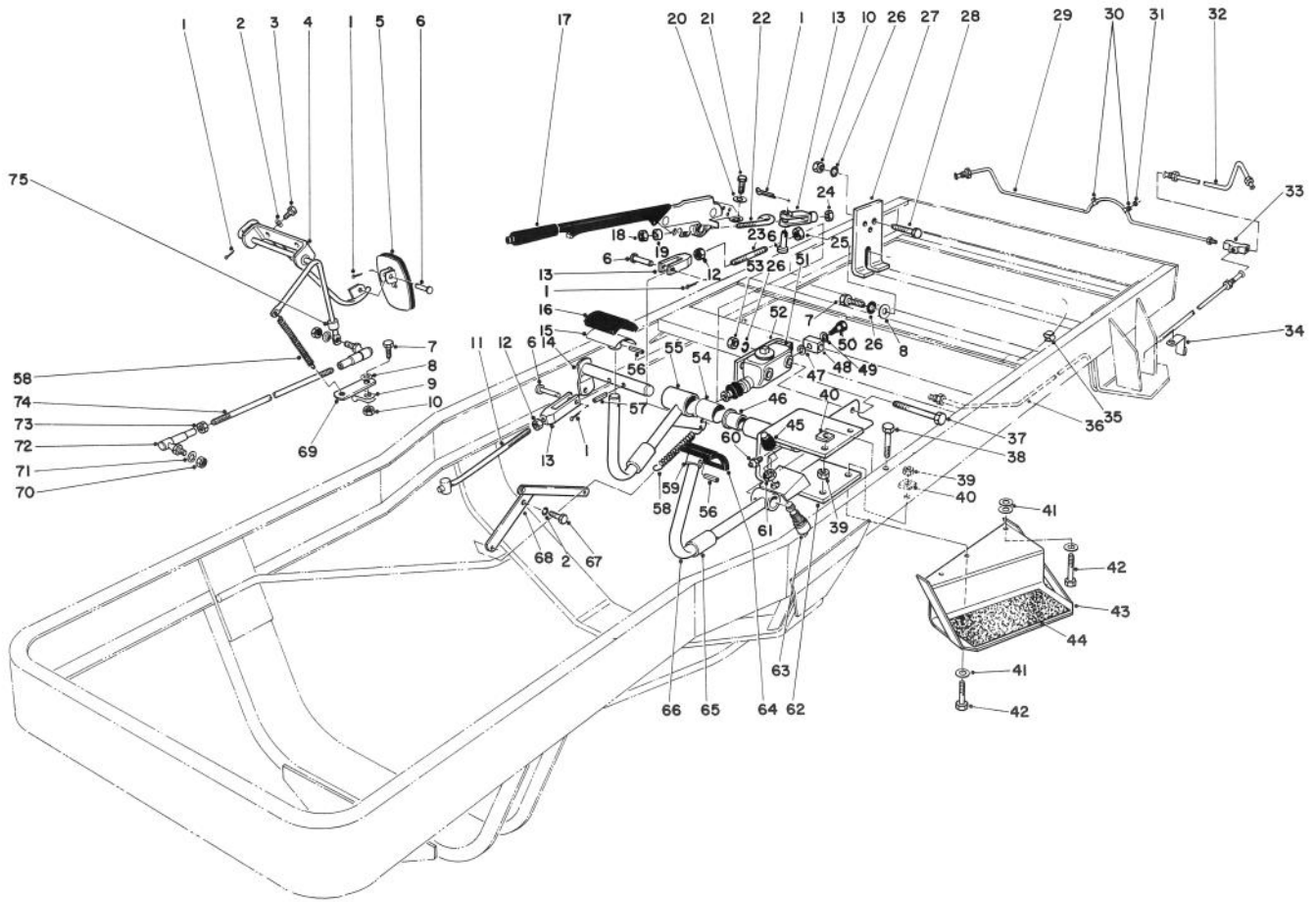
Ref. No.	Part No.	Description	No. Used
1	18-0800	Plate - Rear, Side R.H.	1
2	18-2310	Grommet	1
3	18-2680	Resistor - 10 Ohm	1
4	32153-4	Nut - Lock	1
5	43-8460	Plate - Name	1
6	3256-22	Washer - Flat	2
7	321-4	Screw - Cap, Hex. Hd.	1
8	18-3200	Plate - Instruction	1
9	3290-56	Rivet - Pop	6
10	19-3180	U Bolt - Battery, Hold Down	2
11	19-3220	Cable - Battery to Starter	1
12	3256-23	Washer - Flat	4
13	3217-6	Nut - Hex	4
14	32103-2	Nut - Wing	4
15	19-3210	Cable - Jumper	1
16	61-5950	Decal - No Step	1
17	19-3520	Cover - Battery	1
18	19-3140	Hold Down - Battery	1
†19	19-3200	Battery - 6 Volt	2
20	19-3200	Cable - Ground	1
21	32104-76	Screw - Self Tapping	9
†22	378351	Retainer - Boot	2
†23	378340	Boot - Transmission	2
24	323-5	Screw - Cap, Hex. Hd.	5
25	3256-24	Washer - Flat	14
26	32153-2	Nut - Lock	7
27	44-1220	Plate - Floor	1
28	11-0590	Screw - Self Tapping	6

Ref. No.	Part No.	Description	No. Used
29	44-2080	Plate - Closure	1
30	10-3150	Rest - Foot	1
31	5-2973	Rod	1
32	5-2967	Button	1
33	3219-2	Nut - Jam	2
34	18-2970	Clip - Fuel Line	1
35	323-6	Screw - Cap, Hex. Hd.	1
36	3272-6	Pin - Cotter	2
37	32153-3	Nut - Lock	2
38	322-3	Screw - Cap, Hex. Hd.	2
39	3290-321	Screw - Cap, Hex. Hd.	9
40	18-0850	Board - Toe	1
41	3290-216	Washer - Bevel	3
42	32153-5	Nut - Lock	4
43	325-9	Screw - Cap, Hex. Hd.	3
44	32128-17	Nut - Lock, Flange Hd.	9
45	20-5040	Shim	A/R
46	325-23	Screw - Cap, Hex. Hd.	1
47	3256-26	Washer - Flat	4
48	18-0790	Plate - Rear, Side L.H.	1
49	218-214	Clip - Tinnerman	1
50	38-1690	Instructions - Starting	1
51	2412-10	Clamp	2
52	3255-9	Washer - Lock, Ext. Tooth	1
53	323-14	Screw - Cap, Hex. Hd.	1
*54		Base - Seat	1
55	37-3720	Spacer	1

†Obtain from your local GM, Chevrolet Dealer.

6 ‡Obtain Locally

*Reference only. See page 35.

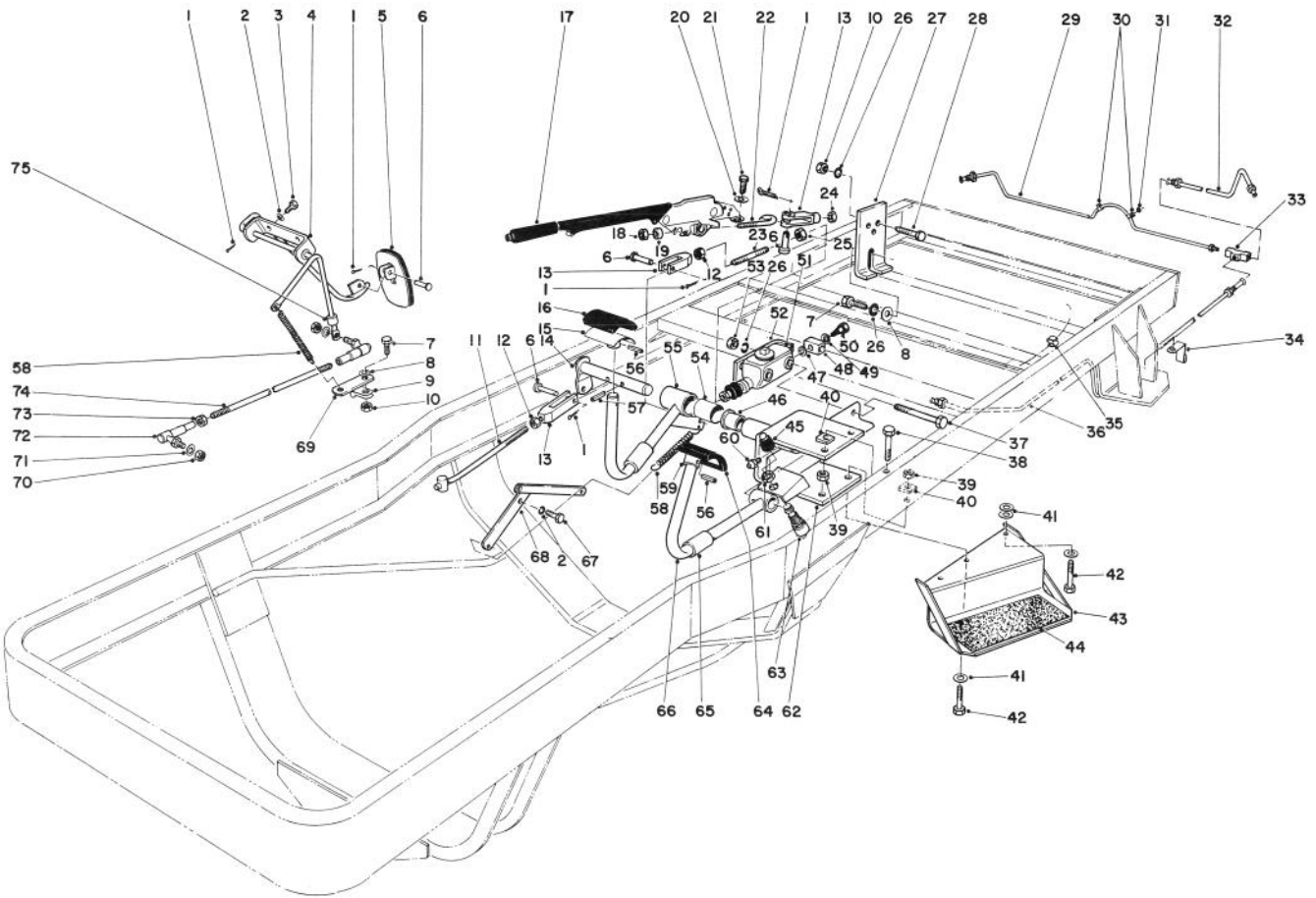


T-0803

BRAKE, CLUTCH, AND THROTTLE CONTROLS

Ref. No.	Part No.	Description	No. Used
1	3272-6	Pin - Cotter	6
2	3253-4	Washer - Lock	4
3	32104-32	Screw - Cap, Hex. Hd.	2
4	19-2950	Arm - Foot Throttle	1
5	10-2670	Pedal - Accelerator	1
6	283-2	Pin	4
7	323-5	Screw - Cap, Hex. Hd.	2
8	3256-24	Washer - Flat	2
9	2412-10	Clamp	1
10	32153-2	Nut - Lock	2
11	19-3090	Link - Clutch	1
12	3220-3	Nut - Jam	2
13	282-1	Clevis	3
14	18-1160	Shaft - Pedal	1
15	10-0670	Pedal - Brake	1
16	7-3900	Pad - Brake	1
17	37-2740	Assembly - Lever, Brake	1
18	3296-29	Nut - Lock	1
19	29-4750	Spacer	1
20	3256-23	Washer - Flat	2
21	322-5	Screw - Cap, Hex. Hd.	2
22	44-2050	Rod - Parking Brake	1
23	37-2060	Shaft - Brake Cylinder	1
24	3219-3	Nut - Hex Full	1
25	3218-3	Nut - Jam	1
26	3253-21	Washer - Lock	4

Ref. No.	Part No.	Description	No. Used
27	44-2040	Bracket - Cable Support	1
28	323-7	Screw - Cap, Hex. Hd.	1
29	37-3340	Brake Tube Assembly RH	1
30	3-3075	Clip	2
31	3254-6	Washer - Lock	2
32	37-3330	Brake Tube Assembly LH	1
33	304-2	Fitting - Tee	1
34	46-6460	Support - Brake Line	2
35	212-93	Clip - Wire	3
36	42-3700	Brake Tube Assembly	1
37	323-20	Screw - Cap, Hex. Hd.	2
38	325-6	Screw - Cap, Hex. Hd.	2
39	32153-5	Nut - Lock	5
40	3290-216	Washer - Bevel	5
41	3256-26	Washer - Flat	5
42	325-7	Screw - Cap, Hex. Hd.	3
43	33-2190	Step - Foot	1
44	33-2230	Pad - Step	1
45	39-0770	Boot - Rubber	1
46	256-10	Bushing	2
47	353-689	Washer - Sealing	1
48	42-3710	Fitting	1
49	42-3730	Gasket - Inlet, Connecting	1
50	42-3720	Bolt - Connection	1
51	37-4180	Master Cylinder (Incl. Ref. #47-50)	1

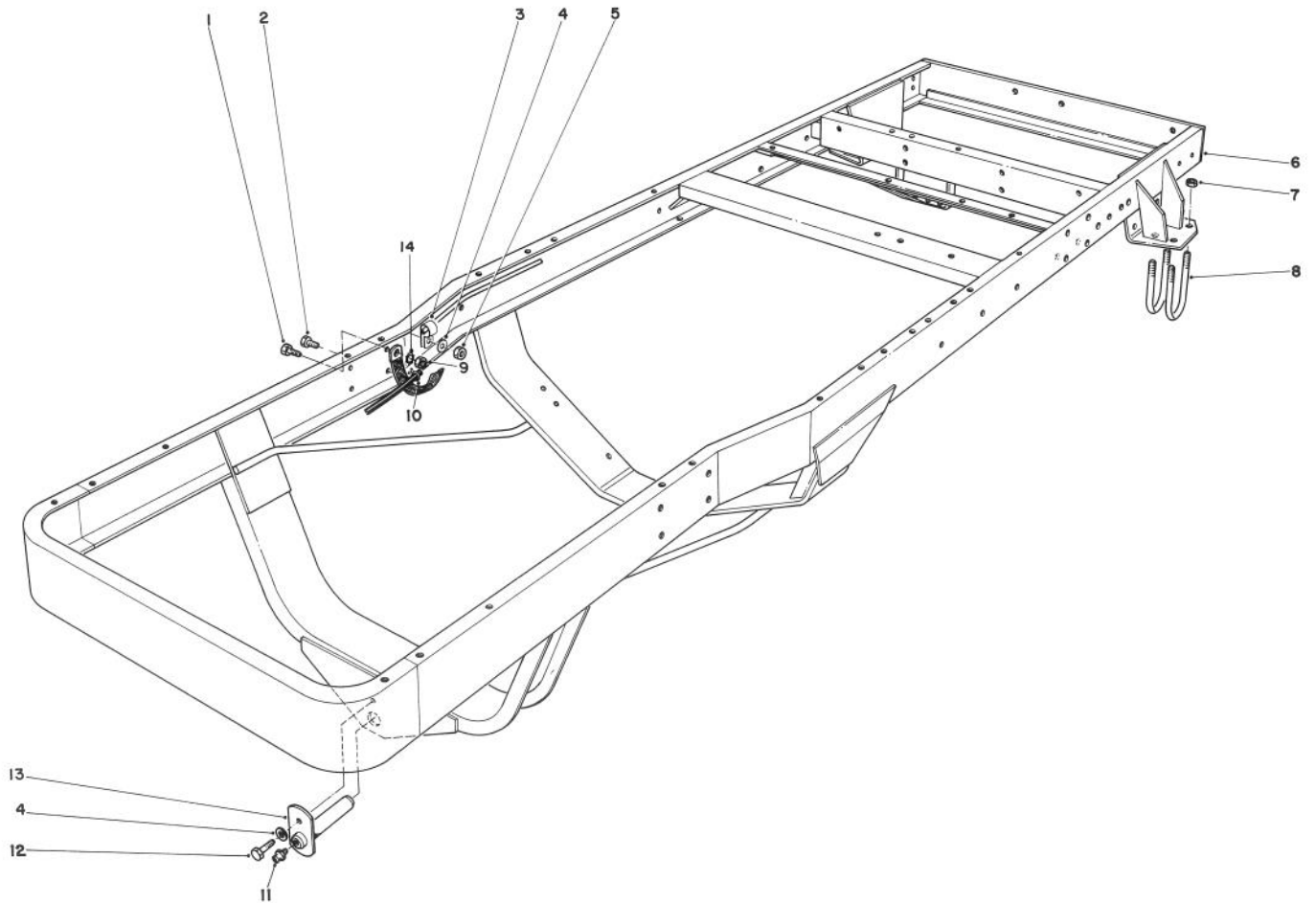


T-0803

BRAKE, CLUTCH, AND THROTTLE CONTROLS (Continued)

Ref. No.	Part No.	Description	No. Used
52	42-3690	Shield - Brake Fitting	1
53	3217-7	Nut - Hex, Full	2
54	256-143	Bearing	1
55	3-8760	Brake Pedal (Incl. Ref. #54)	1
56	32121-34	Pin - Roll	2
57	32121-15	Pin - Roll	1
58	5-1706	Spring	2
59	10-0680	Pedal - Clutch	1
60	302-5	Fitting - Grease	1
61	218-461	Nut	2
62	37-3120	Bracket - Shaft, Pedal (Incl. Ref. #46)	1

Ref. No.	Part No.	Description	No. Used
63	23-8010	Switch - Interlock (Incl. Ref. #45 & 61)	1
64	7-3901	Pad - Clutch	1
65	3-3107	Bumper - Pedal, Clutch	2
66	3-3750	Pedal - Clutch	1
67	322-3	Screw - Cap, Hex, Hd.	2
68	19-3710	Bracket - Spring, Return	1
69	38-2090	Strap - Spring, Throttle	1
70	3219-1	Nut - Hex	2
71	3253-3	Washer - Lock	2
72	18-1720	Ball Joint	2
73	3220-1	Nut - Jam	2
74	19-3380	Rod - Pedal to Pivot Arm	1
75	18-2860	Bumper - Rubber	1

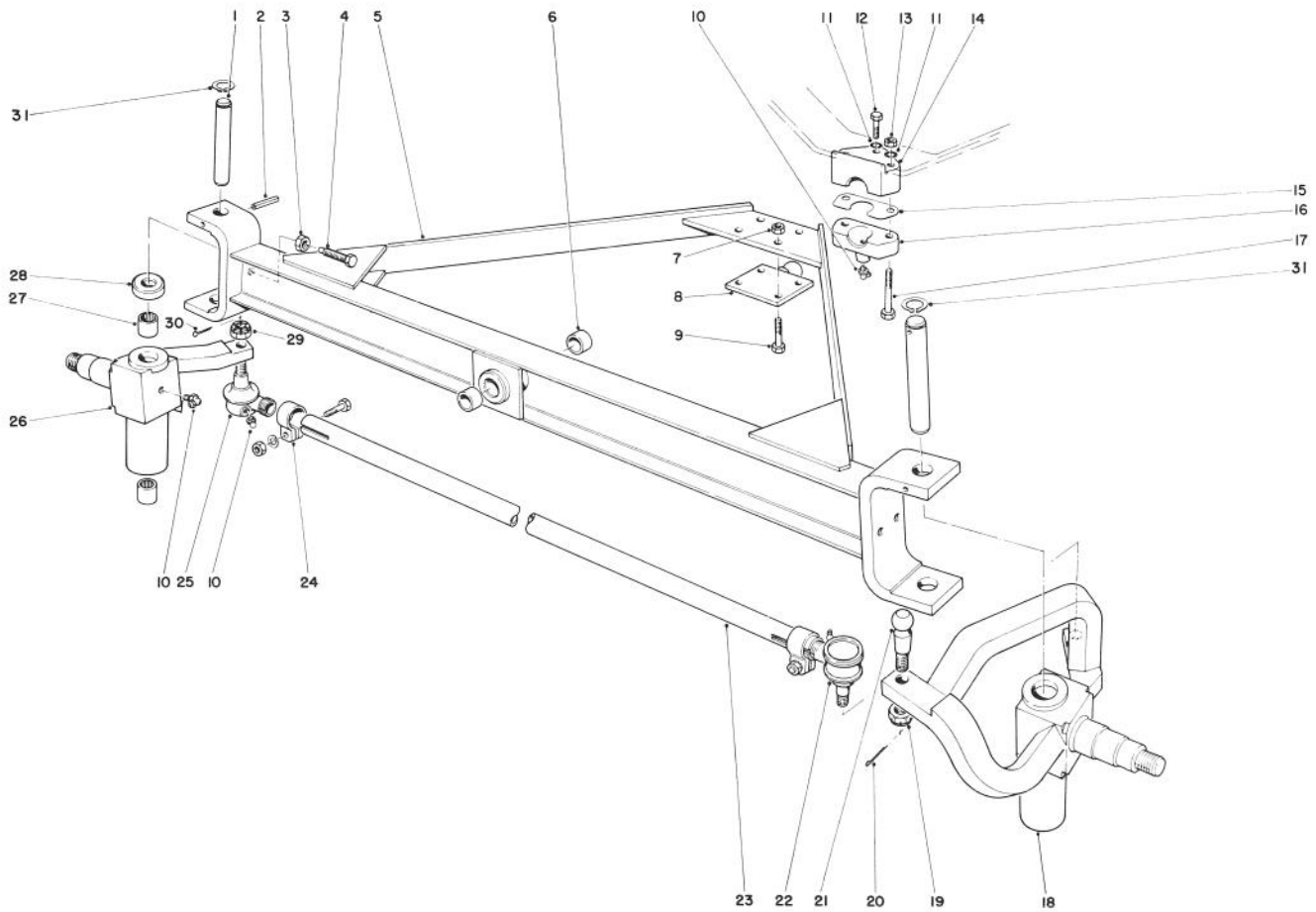


T-0804

FRAME ASSEMBLY

Ref. No.	Part No.	Description	No. Used
1	325-4	Screw - Cap, Hex. Hd.	1
2	323-7	Screw - Cap, Hex. Hd.	1
3	18-2970	Clamp	1
4	3256-24	Washer - Flat	2
5	32153-2	Nut - Lock	1
6	80-0490	Frame	1
7	3296-51	Nut - Lock	8

Ref. No.	Part No.	Description	No. Used
8	80-0430	U-Bolt	4
9	32153-5	Nut - Lock	1
10	2412-6	Clamp - Hose	1
11	302-2	Fitting - Grease	1
12	32104-6	Screw	1
13	3-3760	Pin - Pivot	1
14	3255-2	Washer - Lock, Ext. Tooth	1

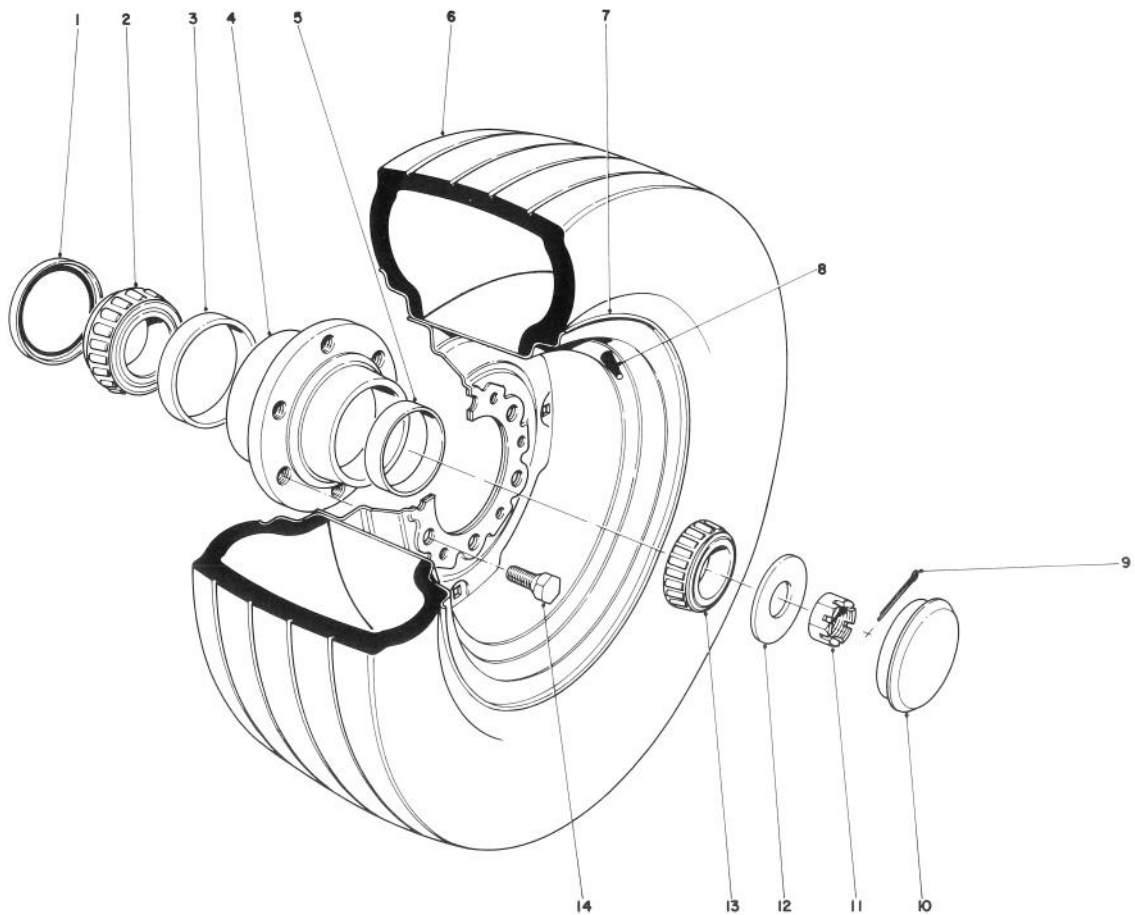


T-0749

FRONT AXLE ASSEMBLY

Ref. No.	Part No.	Description	No. Used
1	24-6900	Pin - Spindle	2
2	32121-34	Pin - Roll	4
3	3218-5	Nut - Jam	3
4	32102-14	Screw - Set	3
5	26-2320	Front Axle (Incl. Ref. #6)	1
6	256-126	Bushing	2
7	32153-5	Nut - Lock	4
8	12-0360	Block - Pivot	1
9	325-7	Screw - Cap, Hex. Hd.	4
10	302-33	Fitting - Grease	5
11	3253-8	Washer - Lock	3
12	327-4	Screw - Cap, Hex. Hd.	1
13	3219-6	Nut	2
14	3-2968	Socket - Ball, Lower	1
15	3-3825	Shim	A/R
16	3-2967	Socket - Ball, Upper	1

Ref. No.	Part No.	Description	No. Used
17	3214-13	Screw - Cap, Hex. Hd.	2
18	23-5300	Spindle - L.H.	1
19	32136-3	Nut - Slotted	1
20	3272-7	Pin - Cotter	1
21	5-2966	Ball Stud	1
22	2116-3	Ball Joint - L.H.	1
23	3-3710	Assembly - Tie Rod (Incl. Ref. #10, 22, 24, 25 & 29)	1
24	2412-7	Clamp - End	2
25	2116-4	Ball Joint - R.H.	1
26	20-9900	Spindle - R.H.	1
27	252-52	Bearing - Needle	4
28	251-32	Bearing - Thrust	2
29	32136-2	Nut - Slotted	2
30	3272-17	Pin - Cotter	2
31	32151-36	Ring - Retaining	2

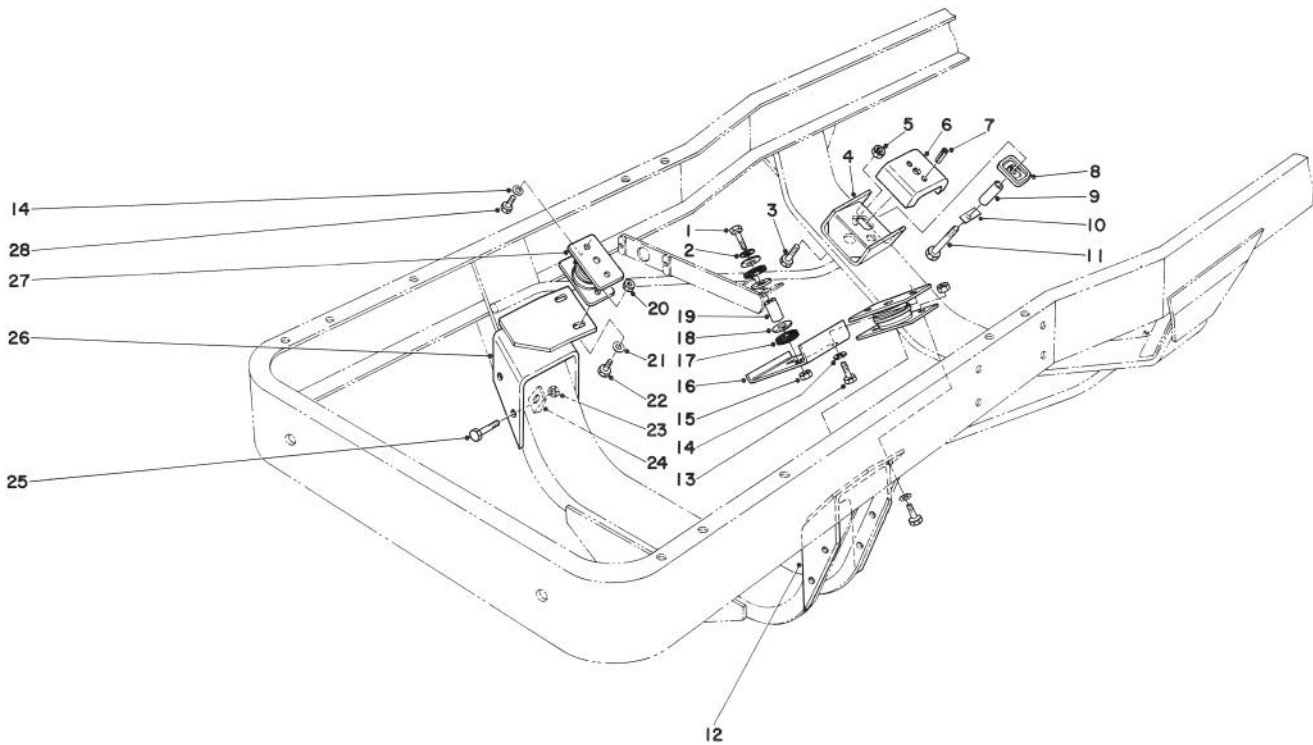


T-0750

FRONT WHEEL AND TIRE 9.5 L-14

Ref. No.	Part No.	Description	No. Used
1	253-100	Seal - Grease	2
2	254-75	Cone - Bearing, Inner	2
3	254-76	Cup - Bearing, Inner	2
4	217-26	Hub - Wheel	2
5	254-20	Cup - Bearing, Outer	2
6	56-7950	Tire - Tubeless 9.5L-14	2
7	10-0720	Wheel - 14"	2

Ref. No.	Part No.	Description	No. Used
8	232-27	Stem - Valve	2
9	3272-23	Pin - Cotter	2
10	217-33	Cap - Hub	2
11	32136-1	Nut - Slotted	2
12	3256-9	Washer - Flat	2
13	254-42	Cone - Bearing , Outer	2
14	217-34	Bolt - Wheel	12



T-0805

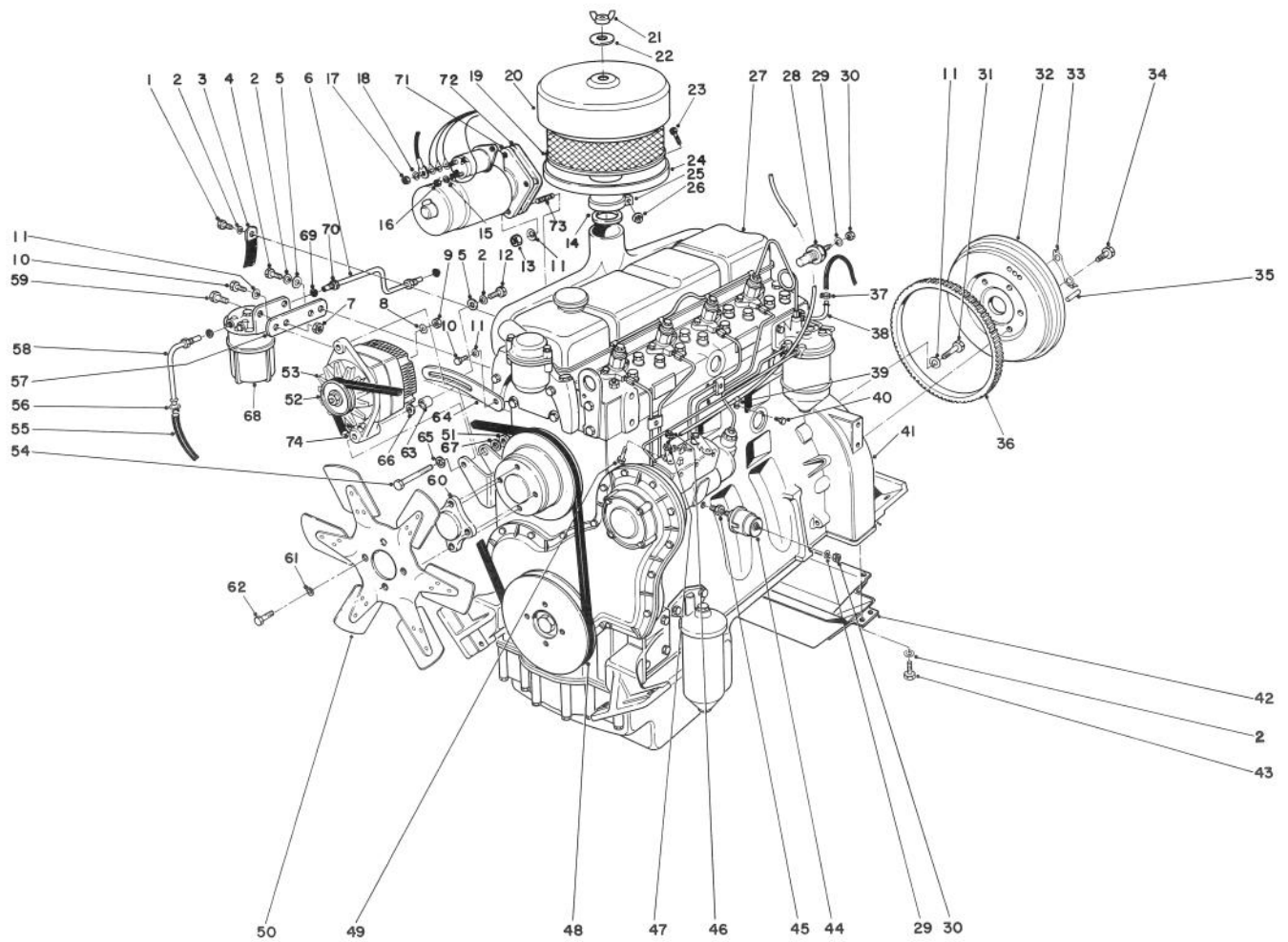
ENGINE MOUNTING COMPONENTS

Ref. No.	Part No.	Description	No. Used
1	324-23	Screw - Cap, Hex. Hd.	
2	3256-25	Washer - Flat	
3	3213-3	Screw - Cap, Hex. Hd.	
4	19-3490	Mount - Engine, Rear	2
5	32128-15	Nut - Lock, Flange	4
‡6	3705444	Mount - Upper	2
7	32121-46	Pin - Roll	2
‡8	14009321	Mount - Lower	2
‡9	14009322	Spacer	2
10	46-7480	Lock	2
11	325-14	Screw - Cap, Hex. Hd.	2
12	19-3340	Mount - Engine, Front L.H.	1
13	3211-4	Screw - Cap, Hex. Hd.	2
14	3253-21	Washer - Lock	4

Ref. No.	Part No.	Description	No. Used
15	3296-48	Nut - Lock	1
16	19-3540	Plate - Torque Arm	1
17	3-3461	Washer - Rubber	2
18	3256-27	Washer - Flat	3
19	19-3970	Spacer	1
20	32153-2	Nut - Lock	4
21	3256-24	Washer - Flat	4
22	323-6	Screw - Cap, Hex. Hd.	4
23	32153-5	Nut - Lock	8
24	3290-216	Washer - Bevel	8
25	325-6	Screw - Cap, Hex. Hd.	8
26	19-3300	Mount - Engine, Front R.H.	1
†27	0550053	Front Engine Mount	2
28	3211-2	Screw - Cap, Hex. Hd.	2

†Obtain from your local Perkins Dealer.

‡Obtain from your local GM, Chevrolet Dealer.

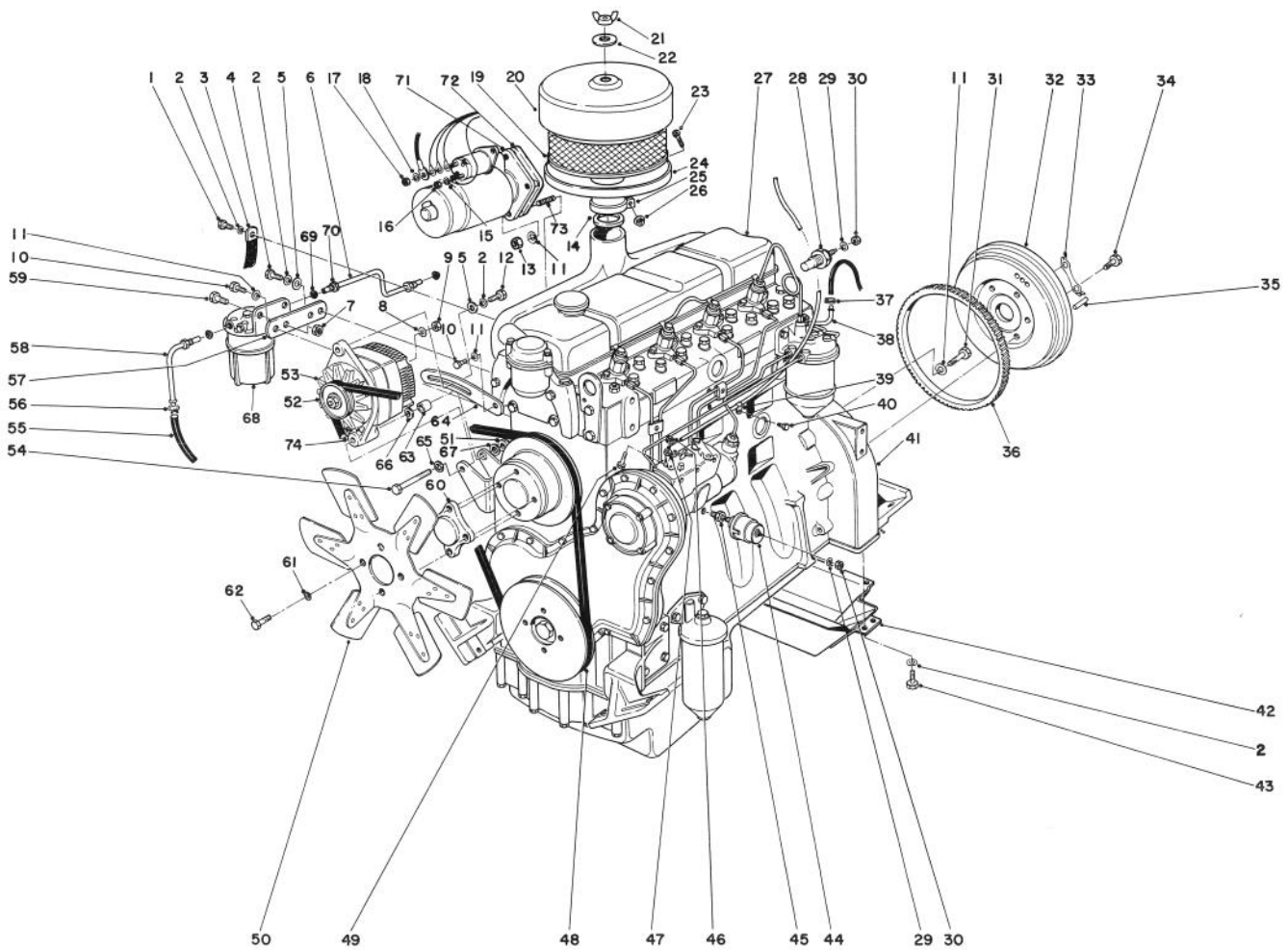


T-0807

ENGINE ASSEMBLY

Ref. No.	Part No.	Description	No. Used	Ref. No.	Part No.	Description	No. Used
1	3210-2	Screw - Cap, Hex. Hd.	1	26	32128-21	Nut - Lock	1
2	3253-4	Washer - Lock	7	†27		Perkins Engine (Model 4-236)	1
3	18-2770	Cable - Ground	1	28	38-1680	Sending Unit - Water Temp.	1
4	3210-3	Screw - Cap, Hex. Hd.	1	29	3255-17	Washer - Lock	2
5	3256-23	Washer - Flat	2	30	3219-14	Nut	2
6	19-3750	Fuel Line	1	31	3211-24	Screw - Cap, Hex. Hd.	6
7	32153-2	Nut - Lock	2	†32	31222555	Flywheel	1
8	3254-8	Washer - Lock	1	†33	33117121	Washer - Tab, Flywheel	3
9	39-7530	Nut	1	34	3213-1	Screw - Cap, Hex. Hd.	6
10	3211-2	Screw - Cap, Hex. Hd.	2	†35	0350025	Pin - Dowel	2
11	3253-21	Washer - Lock	11	†36	0410276	Gear - Ring	1
12	21-0350	Screw - Cap, Hex. Hd.	1	37	2412-36	Clamp	1
13	3219-3	Nut	3	38	19-3390	Adapter - Fuel Bleed Off	1
14	47-2430	Gasket	1	39	2412-31	Clamp	1
15	3255-5	Washer - Lock	1	40	32140-32	Screw	1
16	43-5970	Nut	1	41	36-5040	Housing - Clutch	1
17	21-0360	Nut - Hex	1	42	39-7480	Cover - Flywheel	1
18	3255-9	Washer - Lock	1	43	322-4	Screw - Cap, Hex. Hd.	4
19	47-5930	Element - Filter	1	44	18-1760	Sending Unit - Oil Pressure	1
20	47-2450	Cover - Air Cleaner	1	45	353-41	Adapter	1
21	47-2470	Nut - Wing	1	46	3296-12	Nut - Lock	1
22	47-2460	Washer	1	47	3217-26	Nut - Hex.	1
23	3231-25	Bolt - Carriage	1	48	19-3480	V-Belt	1
24	47-2440	Assembly - Base	1	49	3290-134	Screw - Mach.	1
25	47-2400	Assembly - Clamp (Incl. Ref. #23 & 26)	1	50	60-9740	Fan	1

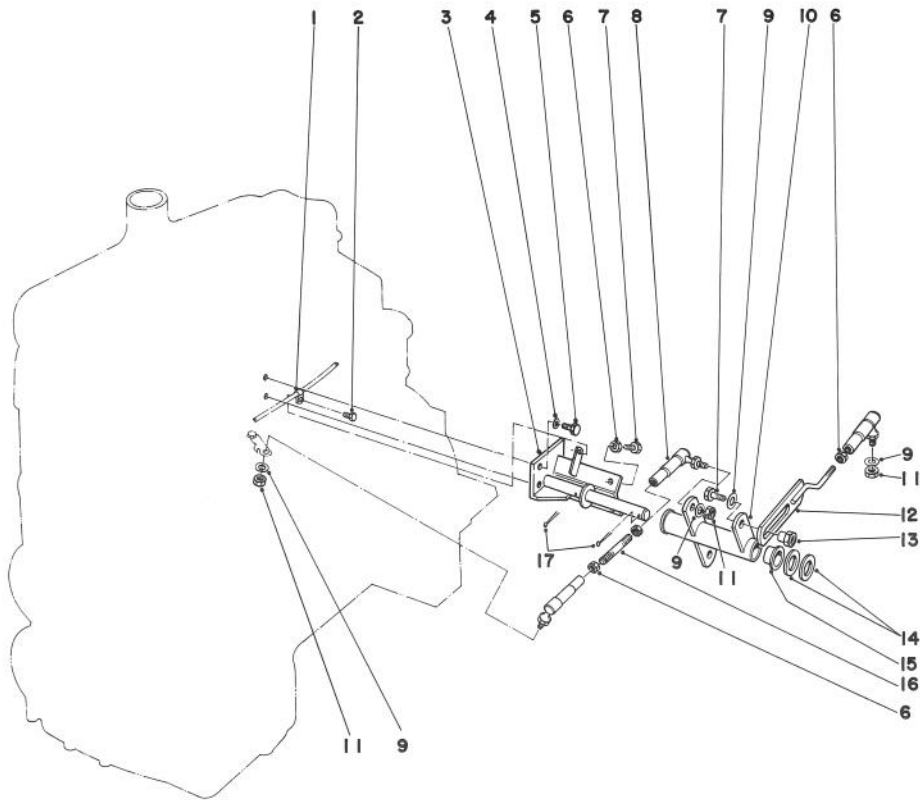
†Obtain from your local Perkins Dealer.



T-0807

ENGINE ASSEMBLY (Continued)

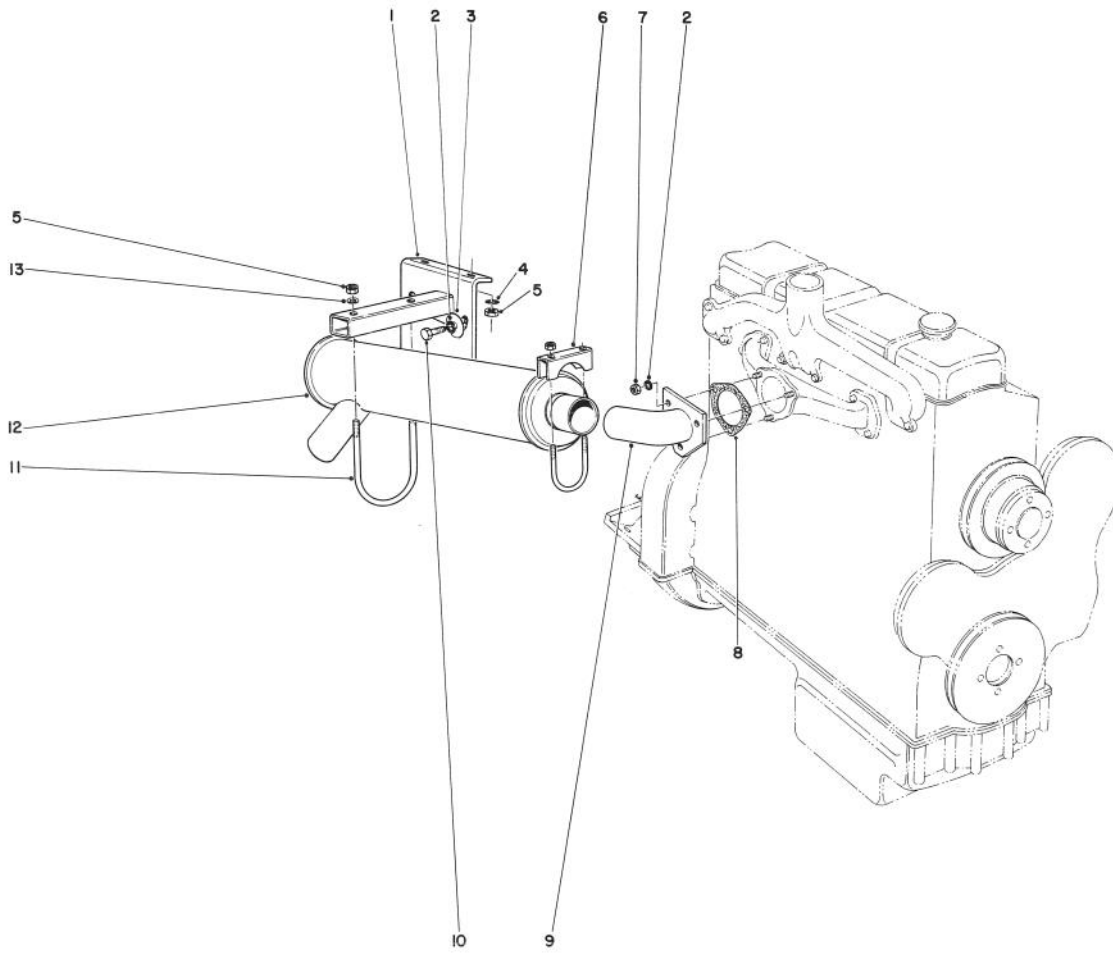
Ref. No.	Part No.	Description	No. Used	Ref. No.	Part No.	Description	No. Used
51	46-7170	Nut - Lock	1	63	61-8480	Sleeve	1
52	19-3470	Pulley	1	64	46-4820	Link - Alternator Adjust.	1
53	18-1600	Fan	1	65	46-7100	Flange - Sleeve	1
54	46-7140	Screw - Cap, Hex. Hd.	1	66	46-7110	Washer	1
55	19-3250	Hose - Line to Filter	1	67	46-7130	Washer	1
56	2412-6	Clamp - Hose	1	68	19-7490	Trap - Water	1
57	19-3680	Mount - Water Trap	1	69	19-7510	Sleeve - Compression	3
58	19-3740	Tube - Hose to Water Trap	1	70	19-7500	Nut - Union	3
59	323-6	Screw - Cap, Hex. Hd.	2	71	49-8050	Starter	1
60	62-6860	Kit - Spacer, Fan (Incl. Ref. #61 & 62)	1	72	36-9580	Adaptor - Starter	1
61	3253-24	Washer - Lock	4	73	36-9590	Stud	3
62	3210-8	Screw	4	74	60-9660	Alternator	1



T-0808

PIVOT SHAFT AND ARM ASSEMBLY

Ref. No.	Part No.	Description	No. Used	Ref. No.	Part No.	Description	No. Used
1	2412-31	Clamp - Support	1	10	38-1970	Arm - Pivot (Incl. Ref. #15)	1
2	32140-32	Screw - Self Tapping	1	11	3219-1	Nut	3
3	38-1950	Shaft - Pivot	1	12	19-3400	Slide - Hand Throttle	1
4	3253-4	Washer - Lock	2	13	19-3430	Nut - Special	1
5	3210-3	Screw - Cap, Hex. Hd.	2	14	3256-28	Washer - Flat	4
6	3220-1	Nut - Jam	5	15	256-244	Bushing	2
7	329-4	Screw - Cap, Hex. Hd.	3	16	19-3850	Rod - Pivot Arm To Pump	1
8	18-1720	Ball Joint	3	17	3272-12	Pin - Cotter	2
9	3253-3	Washer - Lock	4				



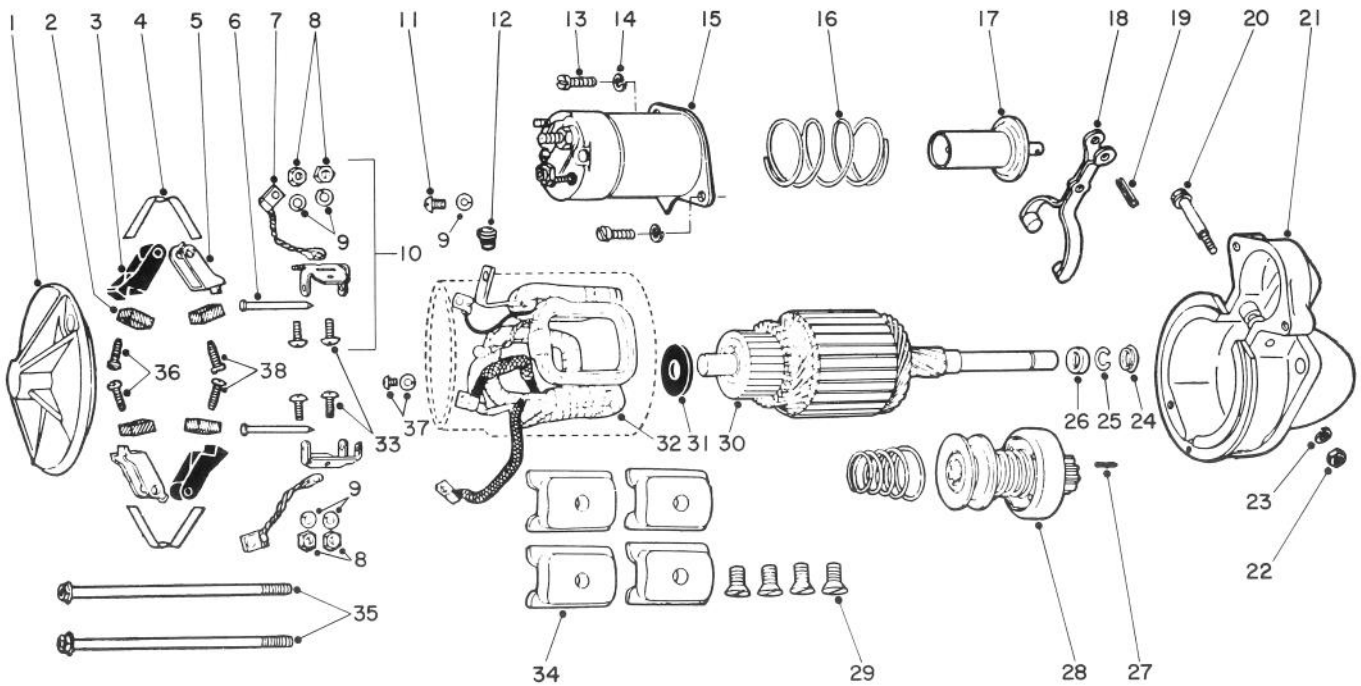
T-0809

ENGINE EXHAUST ASSEMBLY

Ref. No.	Part No.	Description	No. Used
1	44-2070	Assy. - Plate, Brake Mount	1
2	3253-21	Washer - Lock	5
3	3256-24	Washer - Flat	1
4	3253-4	Washer - Lock	2
5	32153-3	Nut - Lock	4
6	20-4840	Clamp - Muffler	1
7	3219-3	Nut	3
†8	36822111	Gasket - Exhaust	1

Ref. No.	Part No.	Description	No. Used
9	19-8510	Elbow - Exhaust	1
10	323-5	Screw - Cap, Hex. Hd.	2
11	19-7440	U-Bolt	1
12	65-4790	Muffler	1
*	37-4250	Muffler - Spark Arresting (Optional)	1
13	3256-23	Washer - Flat	2

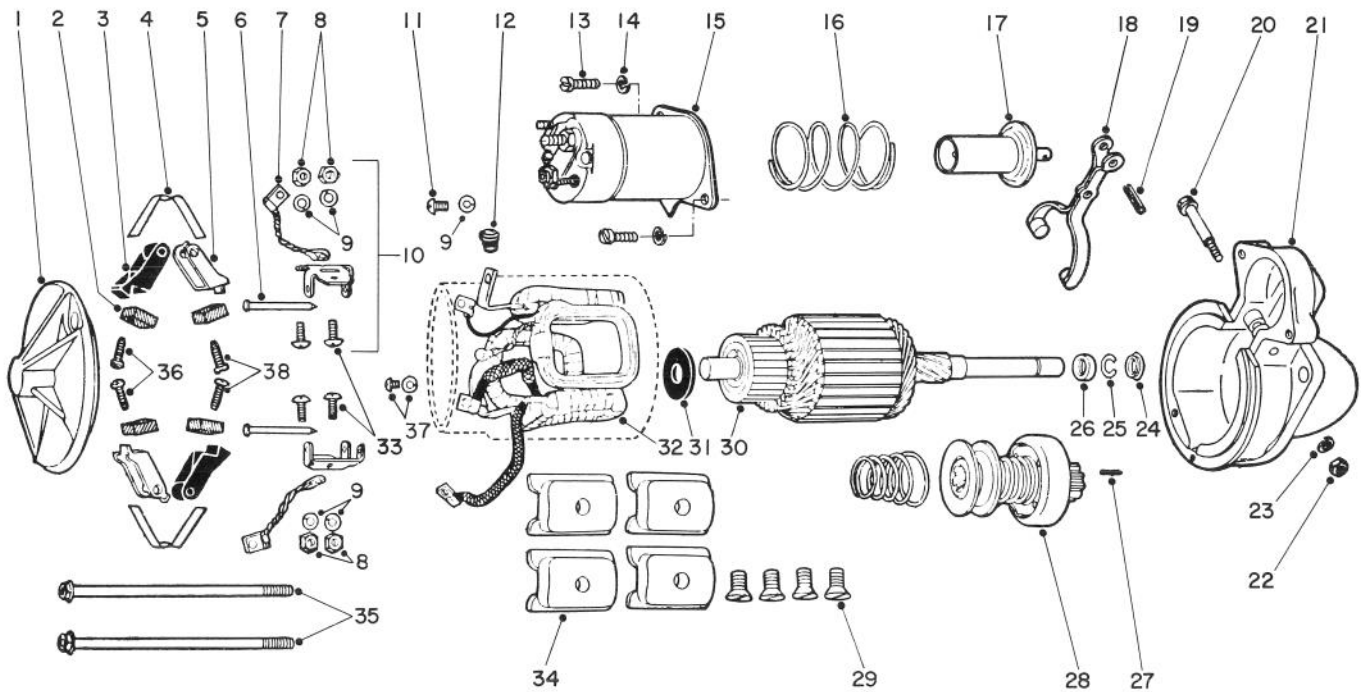
*Not Illustrated



T-0810

STARTER MOTOR ASSEMBLY NO. 49-8050

Ref. No.	Part No.	Description	No. Used	Ref. No.	Part No.	Description	No. Used
1	1986464	Frame (Incl. Ref. #41)	1	20	1932197	Stud - Shift Lever	1
2	1852880	Brush	4	21	1986854	Housing - Drive (Inc. Ref. #48)	1
3	800091	Holder (Insulated)	2	22	1926640	Nut - Shift Lever Stud	1
4	1986019	Spring - Brush	2	23	9421424	Washer - Lock Shift Lever Stud	1
5	1876359	Holder (Ground)	2	24	1964410	Collar - Thrust D.E.	1
6	1966923	Pin - Brush Holder	2	25	1928022	Ring Pinion Stop Retainer D.E.	1
7	1876361	Lead (Ground)	2	26	1928021	Collar - Pinion Stop D.E.	1
8	120361	Nut	4	27	1976940	Pin - Dowel - D.E.	1
9	453435	Support Attaching Screw Washer - Lock	4	28	1877355	Assembly - Drive, Motor	1
10	1876458	Support Package Brush Holder	4	29	1968396	Screw - Pole Shoe	8
11	9427815	Screw - Field Coil to Connector Attachment	2	30	1950417	Armature	1
12	1955946	Grommet - In Field Frame	1	31	1914842	Washer - Brake C.E.	1
13	132255	Screw - Switch Mounting	1	32	1986819	Coil Assembly - Field (4 Coils)	1
14	9421423	Washer - Lock Switch Mounting Screw	2	33	9439734	Screw - Support Attaching Pole Shoe	4
15	1114524	Switch - Solenoid	1	34	1887021	Bolt - Thru	4
16	1978281	Spring - Plunger Return	1	35	1893453	Screw	2
17	1978297	Plunger	1	36	274875	Brush Attaching Ground	2
18	1951567	Lever - Shift	1	37	9439738	Screw - Connector to Switch	1
19	1987049	Pin - Plunger Attaching to Shift Lever	1	38	1987070	Screw & Lockwasher Brush Attaching Insulator	2



T-0810

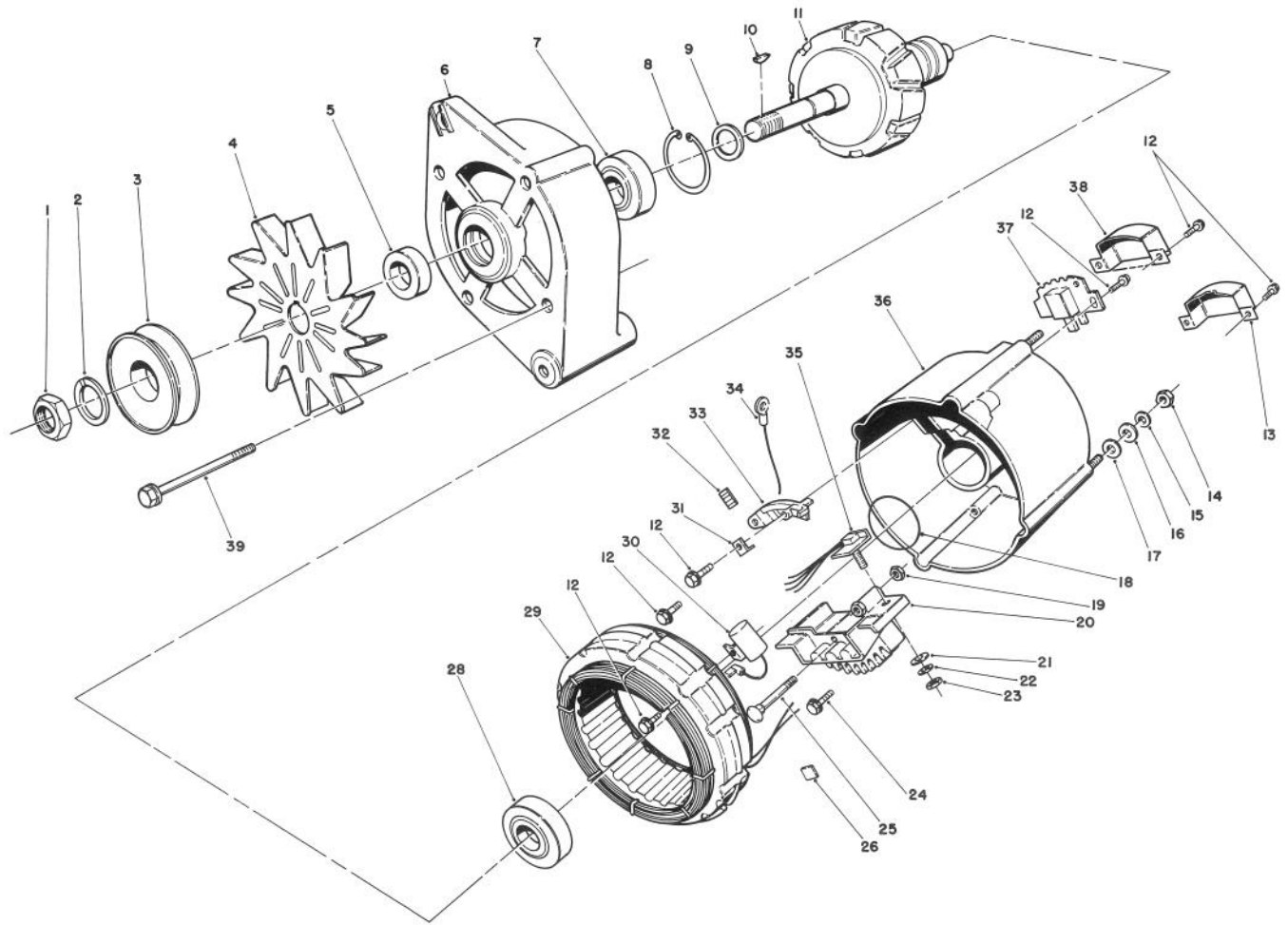
STARTER MOTOR ASSEMBLY NO. 49-8050 (Continued)

Ref. No.	Part No.	Description	No. Used
*39	1972786	Screw & Lockwasher Center Bearing Attachment	4
*40	1876358	Connector - Field	1
*41	1891927	Bushing - C.E.	1
*42	1891928	Wick - C.E.	1
*43	1876361	Lead - Brush Ground	2
*44	1986468	Center Bearing Plate	1
*45	1894023	Bushing - Center Bearing	1
*46	1986470	Washer - Between Center Bearings & Motor Drive	1

Ref. No.	Part No.	Description	No. Used
*47	1986467	Retainer D.E. Oil Wick	1
*48	1862383	Bushing D.E.	1
*49	1986466	Wick - Oil D.E.	1
*50	1952427	Gasket - Between Solenoid & Lever Housing	1
*51	1978337	Contact - Solenoid Switch	1
*†	49-8050	Starter Motor Complete (Delco-Remy No. 1998336)	1

*Not Illustrated

18 †Obtain from your local Toro Distributor. Obtain all other parts from your local Delco-Remy Dealer.



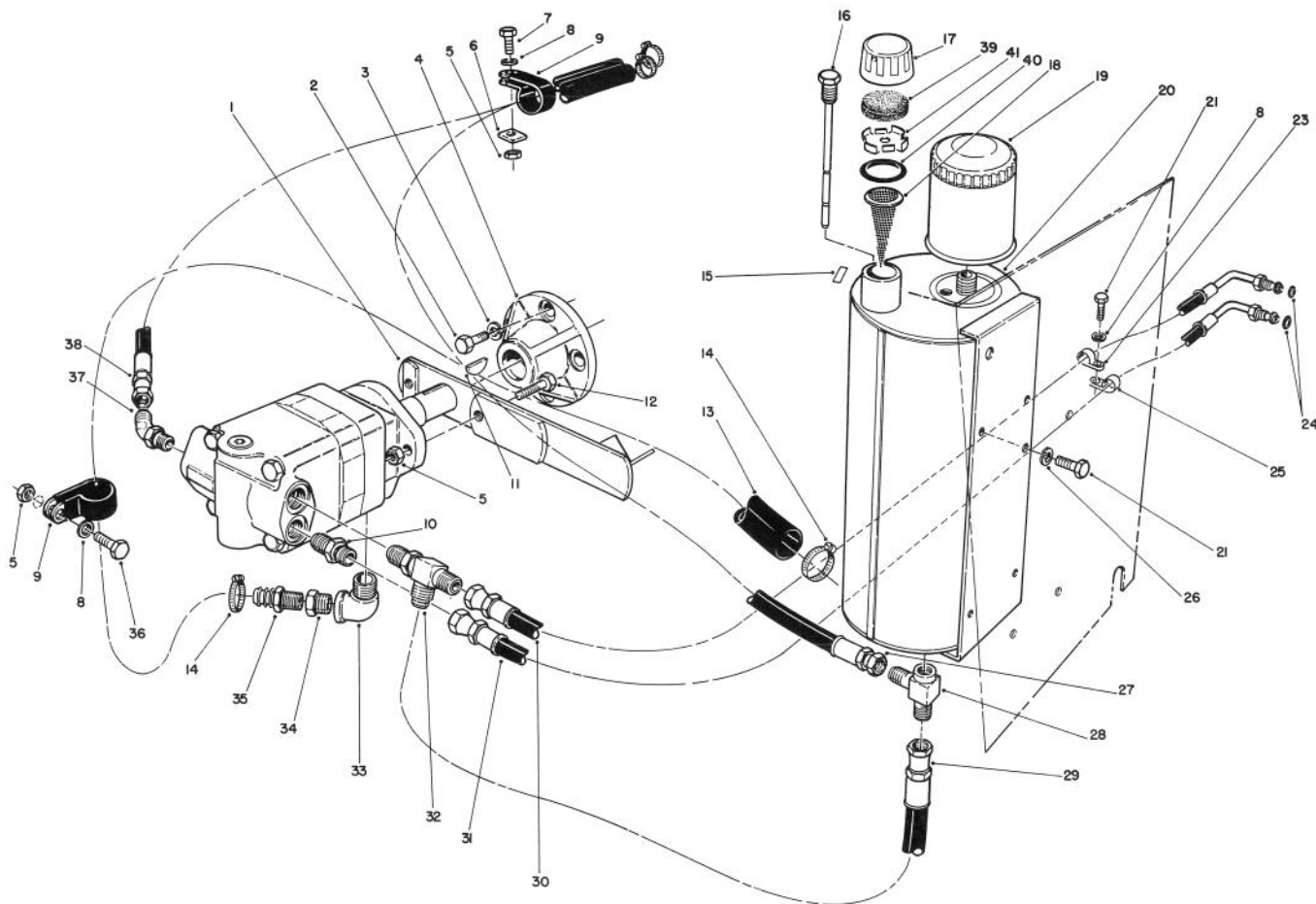
T-0762

62 AMP. ALTERNATOR ASSEMBLY NO. 60-9660

Ref. No.	Part No.	Description	No. Used
1	20-136	Nut - Hex 5/8-18	1
2	20-137	Washer - Lock 5/8	1
3		Pulley	1
4		Fan	1
5	20-237	Spacer - Fan	1
6	14-218	Housing - Front	1
7	11-21	Bearing - Front	1
8	11-3	Bearing - Retainer	1
9	20-244	Spacer - Rotor	1
10		Key - Woodruff	1
11	12-36	Assembly - Rotor	1
12	20-102	Screw - Self Tapping	10
13		Assembly - Cover	1
14	20-268	Nut - M6x10	1
15	20-261	Washer	1
16	15-54	Washer	1
17	15-67	Washer - Insulator	2
18	11 -25	Retainer - Bearing	1
19	15-52	Insulator - Bridge Mounting	1

Ref. No.	Part No.	Description	No. Used
20	1-200	Rectifier/Diode Bridge	1
21	15-4	Washer	1
22	20-111	Washer - Lock	1
23	20-34	Nut 10-24	1
24	20-245	Screw - Self Tapping	2
25	20-318	Bolt - Carriage M6 x10	1
26		Insulator	1
28	11-23	Bearing - Rear	1
29	13-43	Assembly - Stator	1
30	2-44	Capacitor	1
31	20-247	Clamp	1
32	15-65	Terminal AC	1
33	15-44	Terminal	1
34	16-109	Cable	1
35	1-129	Diode	1
36	14-219	Housing - Rear	1
37	3-35	Assembly - Brush	1
38	5-742	Voltage Regulator	1
39	20-248	Bolt 10-32 x 3	1

Note: Order parts from Motorola Center, 1299 East Algonquin Road Schaumburg, Illinois 60196
Model No. of Alternator 9DB2LG2B58.



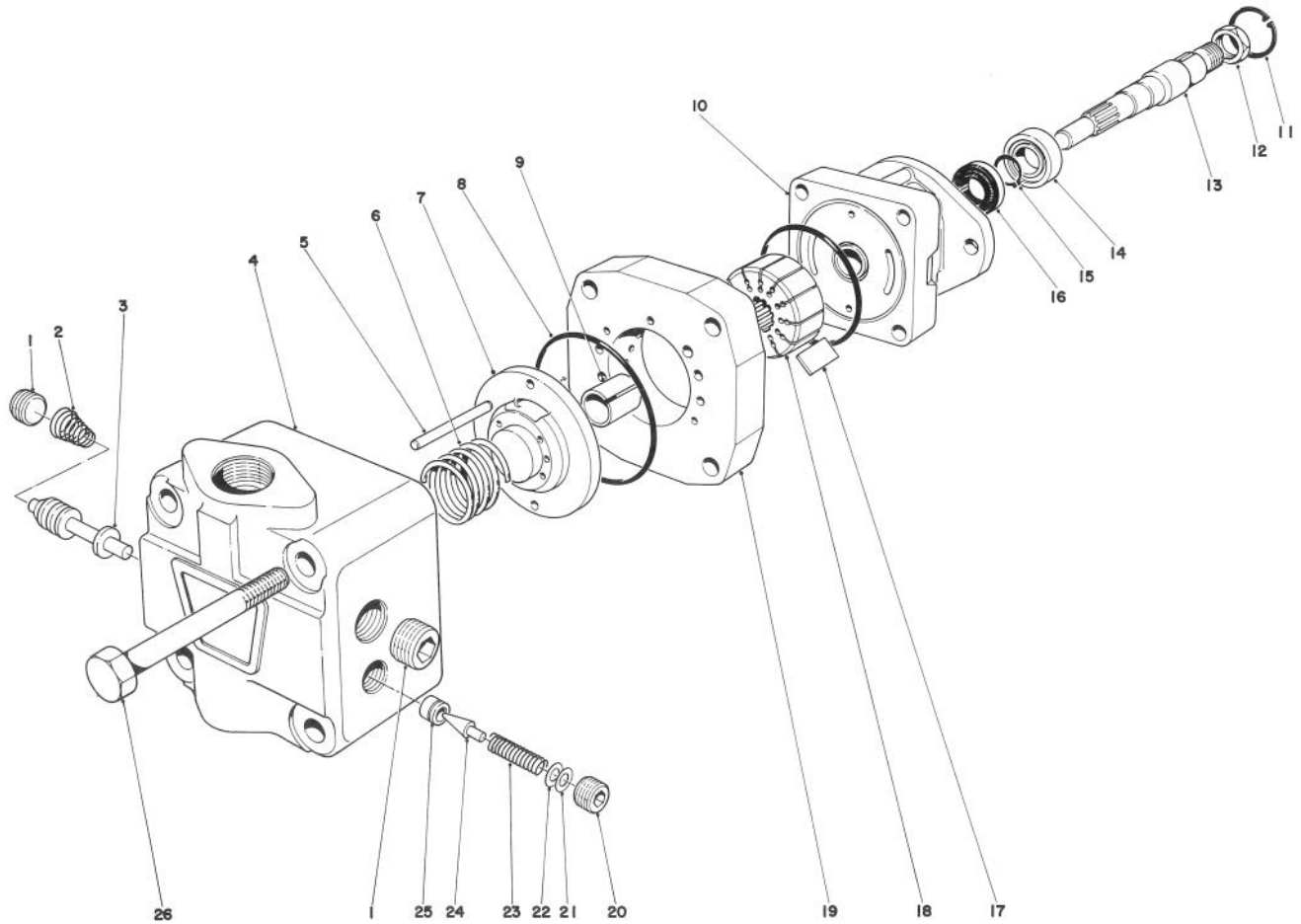
T-0811

HYDRAULIC PUMP AND RESERVOIR ASSEMBLY

Ref. No.	Part No.	Description	No. Used
1	23-2500	Arm - Torque	1
2	3212-6	Screw - Cap, Hex. Hd.	4
3	3253-6	Washer - Lock	4
4	19-3910	Hub - Pump, Hydraulic	1
5	32153-2	Nut - Lock	3
6	3290-216	Washer - Bevel	1
7	323-4	Screw - Cap, Hex. Hd.	1
8	3256-24	Washer - Flat	3
9	304-61	Clamp	2
10	323-465	Adapter	1
11	3257-36	Key	1
12	323-8	Screw - Cap, Hex. Hd.	2
13	19-3050	Hose - Suction	1
14	2412-3	Clamp - Hose	2
15	3-1553	Decal	1
16	18-2980	Dipstick	1
17	76-0190	Cap - Oil Filler	1
18	2-2197	Filter Screen	1
19	18-4360	Filter - Oil (AC No. PF-28)	1
20	18-2250	Reservoir - Hydraulic	1
21	32104-6	Screw - Self Tapping	5
23	2412-6	Clamp	1
24	39-7310	O-Ring	2

Ref. No.	Part No.	Description	No. Used
25	2412-41	Clamp	1
26	3253-21	Washer - Lock	4
27	19-4010	Hose - Return Valve to Reservoir	1
28	353-468	Fitting - Tee	1
29	19-4000	Hose - Pump to Reservoir	1
30	65-4800	Hose - Return Power Steering	1
31	65-4810	Hose - Pressure Power Steering	1
32	353-466	Fitting - Tee	1
33	2811-5	Elbow - Street, 90°	1
34	2812-9	Bushing - Reducing	1
35	3-7195	Coupling	1
36	323-7	Screw - Cap, Hex. Hd.	1
37	353-437	Adapter - 45°	1
38	19-3990	Hose - Pressure Pump to Valve	1
39	76-0220	Foam - Filter	1
40	237-71	Seal - O-Ring	1
41		Plate - Friction	1
*	80-4720	Oil Filler Cap Assembly (Incl. Ref. #17 & 39-41)	1

*Not Illustrated

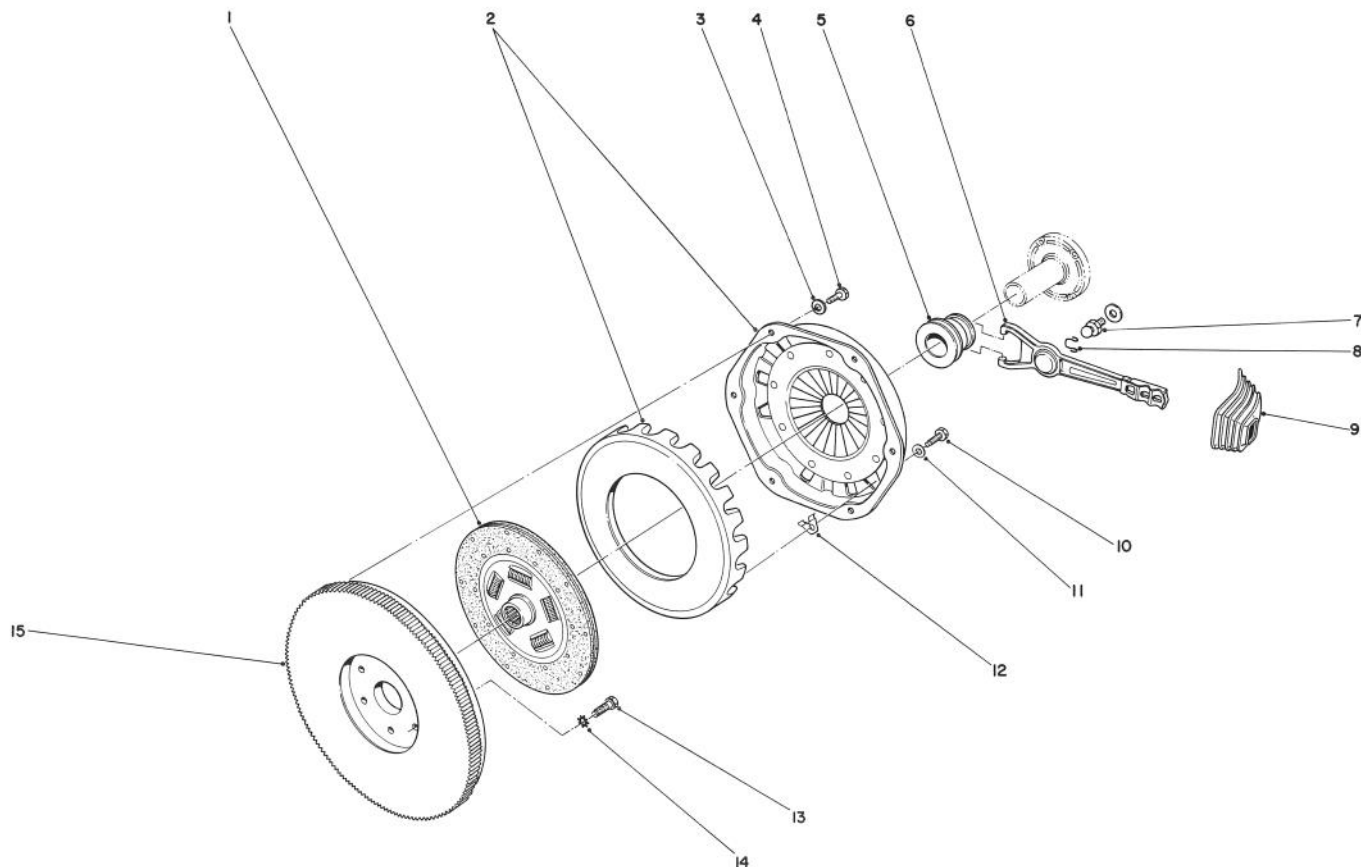


T-0812

HYDRAULIC PUMP ASSEMBLY NO. 38-9630

Ref. No.	Part No.	Description	No. Used	Ref. No.	Part No.	Description	No. Used
1	38-9640	Plug	2	17		Vane Kit (12 Vanes)	1
2	38-9650	Spring	1	18		Rotor	1
3	38-9660	Piston	1	19		Ring	1
4	38-9670	Cover	1	20	19-4450	Plug	1
5	19-4510	Pin	2	21	19-4420	Shim	A/R
6	19-4460	Spring	1	22	19-4410	Shim	A/R
7	19-4470	Plate - Pressure (Incl. Ref. #14)	1	23	19-4400	Spring 1250 P.S.I.	1
8	19-4480	O-Ring	2	24	38-9680	Poppet	1
9		Bushing	1	25	19-4440	Seat	1
10	19-4520	Body	1	26	19-4380	Screw	4
11	32120-11	Ring - Retaining	1	*	38-9630	Hydraulic Pump Complete	1
12	19-4580	Nut	1	*	19-4610	Cartridge Kit (Incl. Ref. #8 & 17-19)	1
13	19-4560	Shaft	1	*	19-4620	Seal Kit (Incl. Ref. #8 & 16)	1
14	19-4550	Bearing	1				
15	19-4540	Ring - Retaining	1				
16	19-4530	Seal	1				

*Not Illustrated



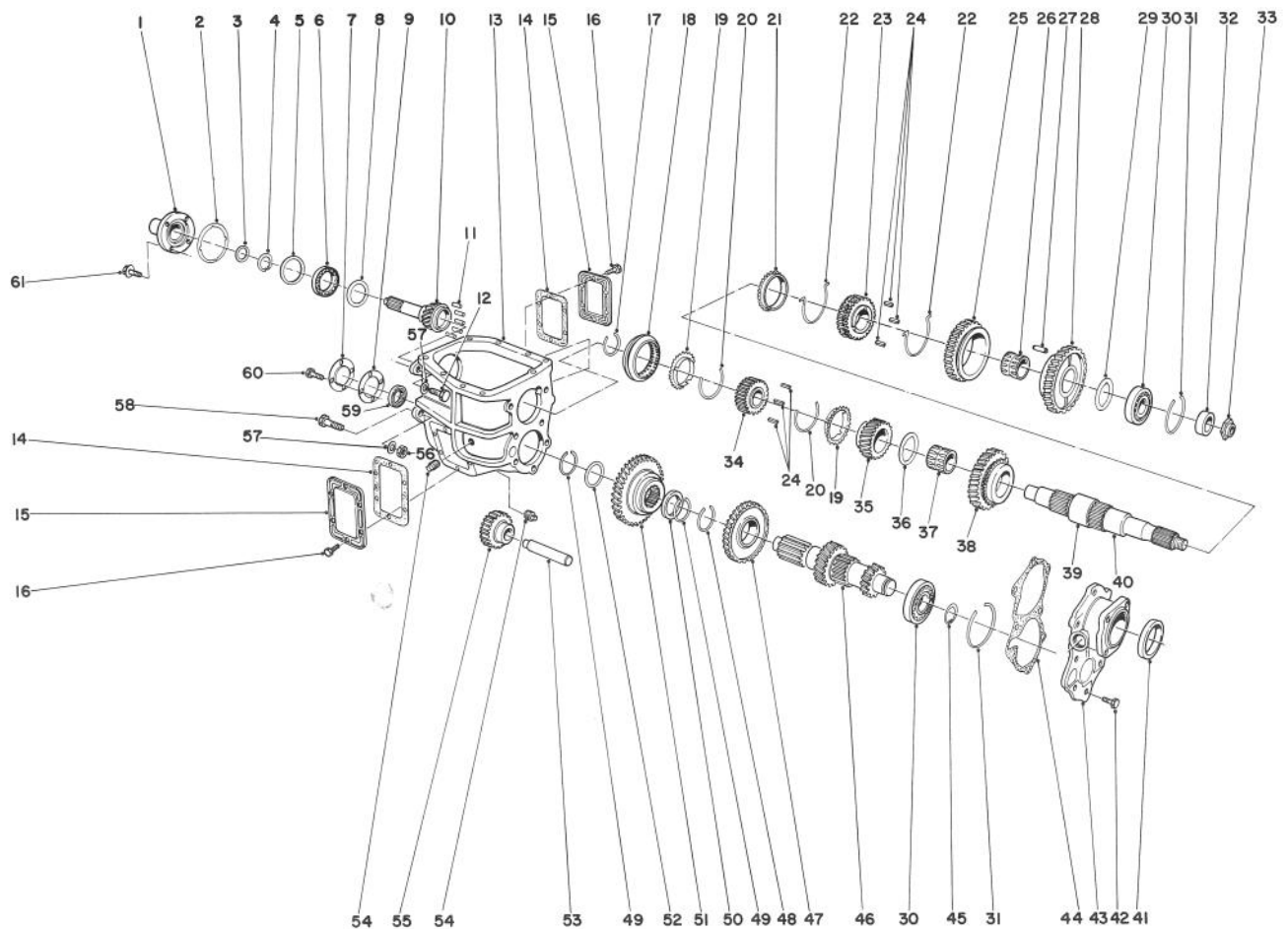
T-0768

CLUTCH ASSEMBLY

Ref. No.	Part No.	Description	No. Used
1	72-4110	Plate - Clutch	1
2	72-4120	Assembly - Cover & Plate (Incl. Ref. #10-12)	1
†3	3253-21	Washer - Lock	6
4	838653	Screw	6
†5	39-3810	Bearing - Release, Clutch	1
6	3765372	Assembly - Fork (Incl. Ref. #8)	1
7	3725240	Stud	1

Ref. No.	Part No.	Description	No. Used
8	838987	Spring - Retainer, Ball	1
9	3765360	Boot	1
10	3702403	Screw - Cap, Hex. Hd.	3
11	11500191	Washer - Lock	3
12	3788605	Clip - Retaining	3
13	839756	Screw - Cap, Special	6
14	3255-16	Washer - Lock	6
15	3988759	Assembly - Flywheel	1

†Obtain from Toro Distributor. Obtain all other parts from GM Chevrolet Dealer.

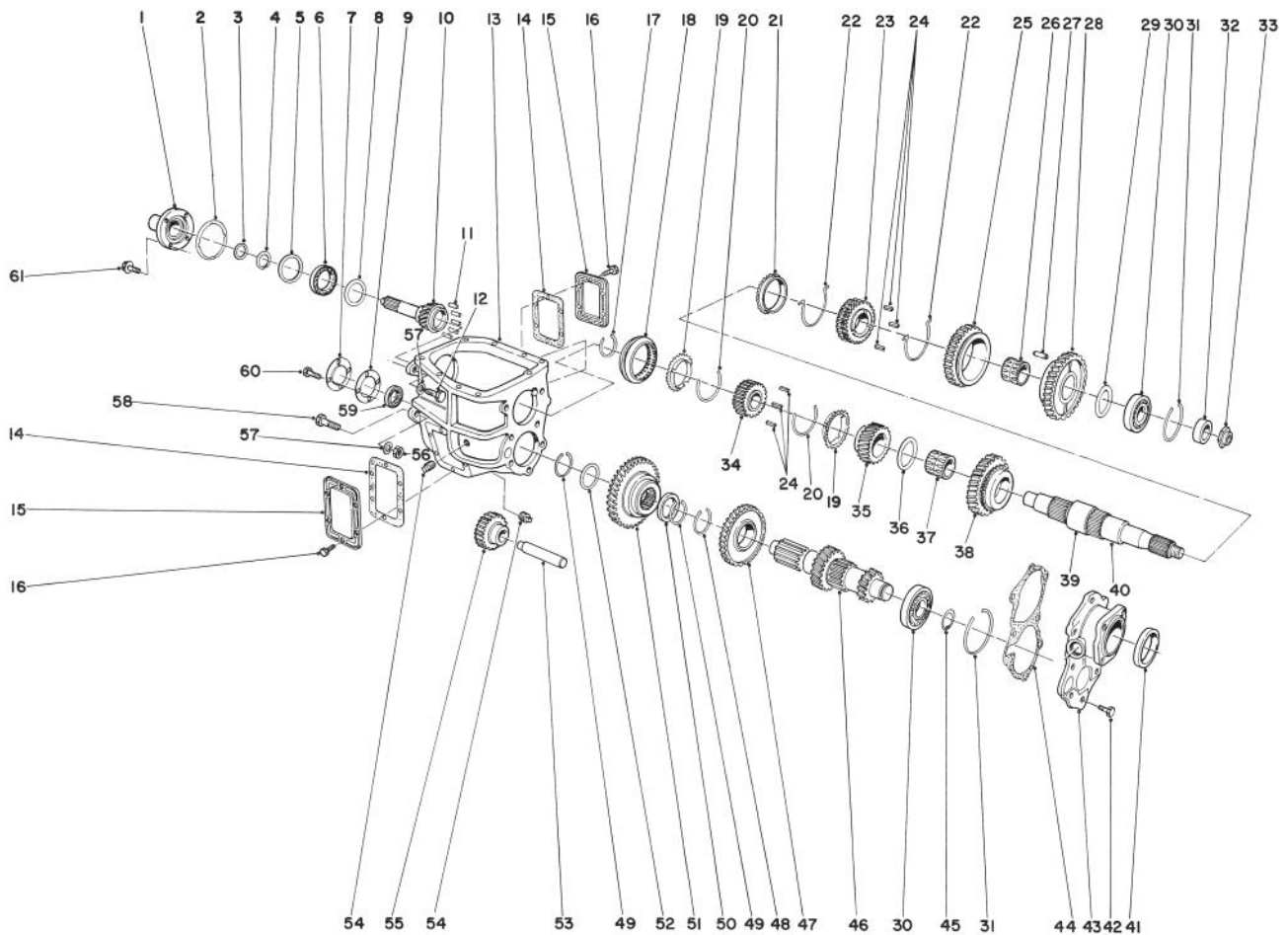


T-0769

TRANSMISSION ASSEMBLY NO. 44-1160

Ref. No.	Part No.	Description	No. Used	Ref. No.	Part No.	Description	No. Used
1	3901178	Assembly - Retainer	1	27	456587	Pin	2
2	3930800	Gasket	1	28	476766	Gear	1
3	3987937	Seal	1	29	465450	Washer - Thrust	1
4	3901152	Ring - Retaining	1	30	907474	Bearing	2
5	3866655	Ring	1	31	3830051	Ring	2
6	907993	Bearing	1	32	3866742	Gear	1
7	3866347	Cap	1	33	3830575	Assembly - Nut	1
8	3901177	Slinger	1	34	3901164	Hub	1
9	3866348	Gasket	1	35	3901161	Gear - 3rd Speed	1
10	15588219	Gear - Clutch	1	36	3932267	Washer	1
11	9422666	Bearing - Roller	17	37	3932274	Bushing	1
†12	325-6	Screw - Cap Hex. Hd.	2	38	3901158	Gear - 2nd Speed	1
13	465453	Assembly - Case and Plug	1	39	3932253	Bushing	1
14	6273214	Gasket - P.T.O.	2	40	3932265	Shaft	1
15	6273213	Cover - P.T.O.	2	41	15595878	Seal	1
16	15595893	Bolt - P.T.O. Cover	12	42	3911926	Bolt	8
17	3901166	Ring	2	43	15592354	Assembly - Retainer	1
18	3901165	Clutch	1	44	3930800	Gasket	1
19	3993036	Cone - Gear	2	45	3830051	Ring	2
20	3866359	Spring	2	46	14053671	Gear - Counter	1
21	3950367	Cone	1	47	3968038	Gear - 3rd	1
22	3866646	Spring	2	48	3866346	Ring	1
23	3946776	Hub	1	49	3920703	Ring	2
24	3866358	Key	6	50	14020811	Spacer	1
25	3901170	Gear - Reverse	1	51	3955570	Gear	1
26	465455	Bushing	1	52	3901153	Washer - Thrust	1

†Obtain from your local Toro Distributor. Obtain all other parts from your local GM, Chevrolet Dealer



T-0769

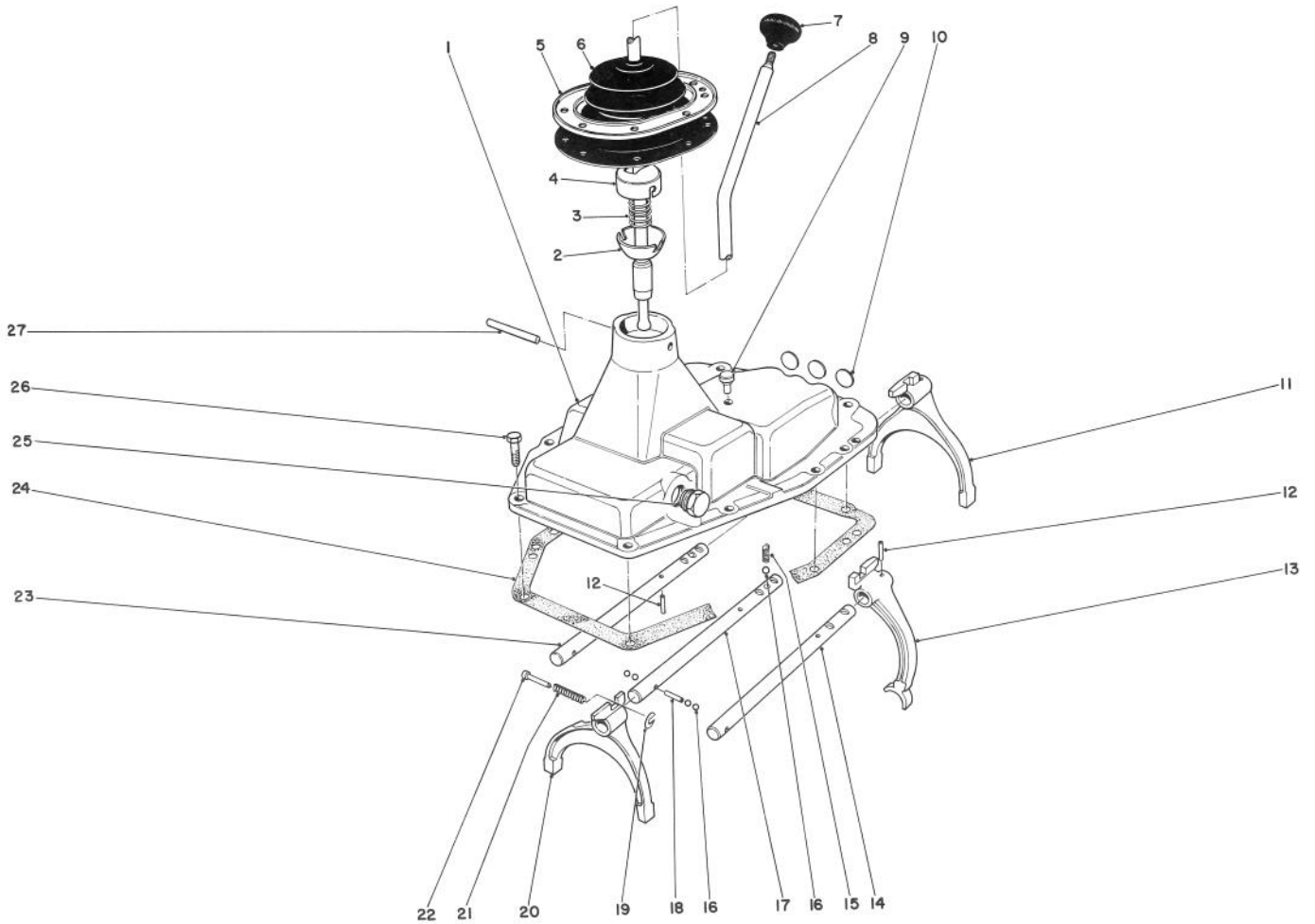
TRANSMISSION ASSEMBLY NO. 44-1160 (Continued)

Ref. No.	Part No.	Description	No. Used
53	3901144	Shaft - Reverse Idler	1
54	444746	Plug	2
	444744	Plug (Optional For Item #54)	2
55	3901141	Assy. - Gear, Reverse Idler	1
†56	3217-9	Nut	2

Ref. No.	Part No.	Description	No. Used
†57	3253-7	Washer - Lock	4
†58	325-8	Screw - Cap Hex. Hd.	2
59	7451785	Bearing	1
60	435141	Screw	4
61	3920784	Screw & Washer	4

*Not Illustrated

24 †Obtain from your local Toro Distributor. Obtain all other parts from your local GM, Chevrolet Dealer.



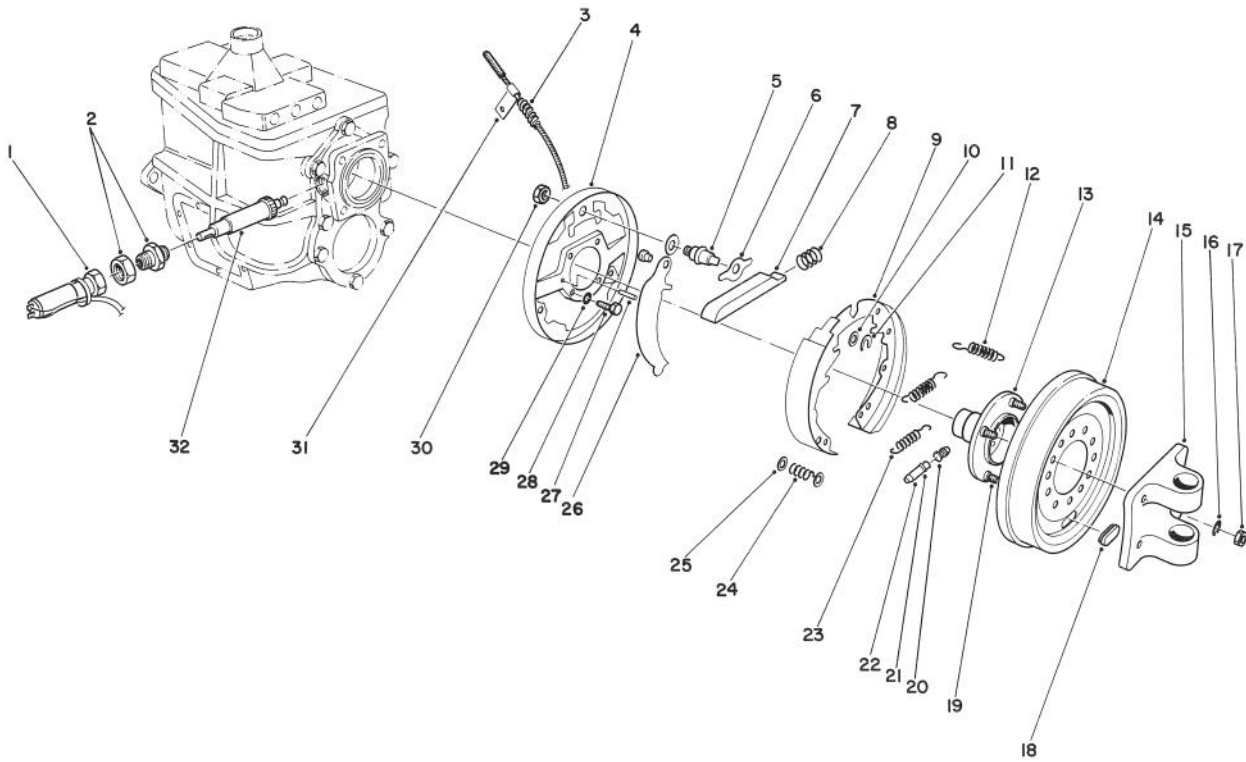
T-0772

TRANSMISSION COVER ASSEMBLY

Ref. No.	Part No.	Description	No. Used
1	3952668	Cover	1
†2	36-9340	Cup - Control	1
†3	36-9330	Spring - Control	1
†4	36-9350	Cap - Control	1
5	378351	Retainer - Transmission	1
6	378340	Boot - Transmission	1
†7	233-10	Knob - Gear Shift Lever	1
†8	36-9710	Lever - Control	1
9	8640496	Assembly - Ventilator	1
10	103894	Plug	3
11	3901137	Fork - 1st & 2nd	1
12	273503	Pin	3
13	3978730	Fork - Reverse	1
14	15592254	Shaft - Reverse	1

Ref. No.	Part No.	Description	No. Used
15	551946	Spring	3
16	453593	Ball	7
17	15592256	Shaft - 3rd & 4th	1
18	3901139	Pin	1
19	3727182	Retainer - Reverse Shaft	1
20	3901138	Fork - 3rd & 4th	1
21	3978731	Spring	1
22	3864968	Plunger	1
23	15592255	Shaft - 1st & 2nd	1
24	15594369	Gasket - Cover, Trans.	1
†25	36-9430	Plug - Transmission	1
26	3911926	Screw	8
27	456587	Pin	2

†Obtain from your local Toro Distributor. Obtain all other parts from your local GM, Chevrolet Dealer

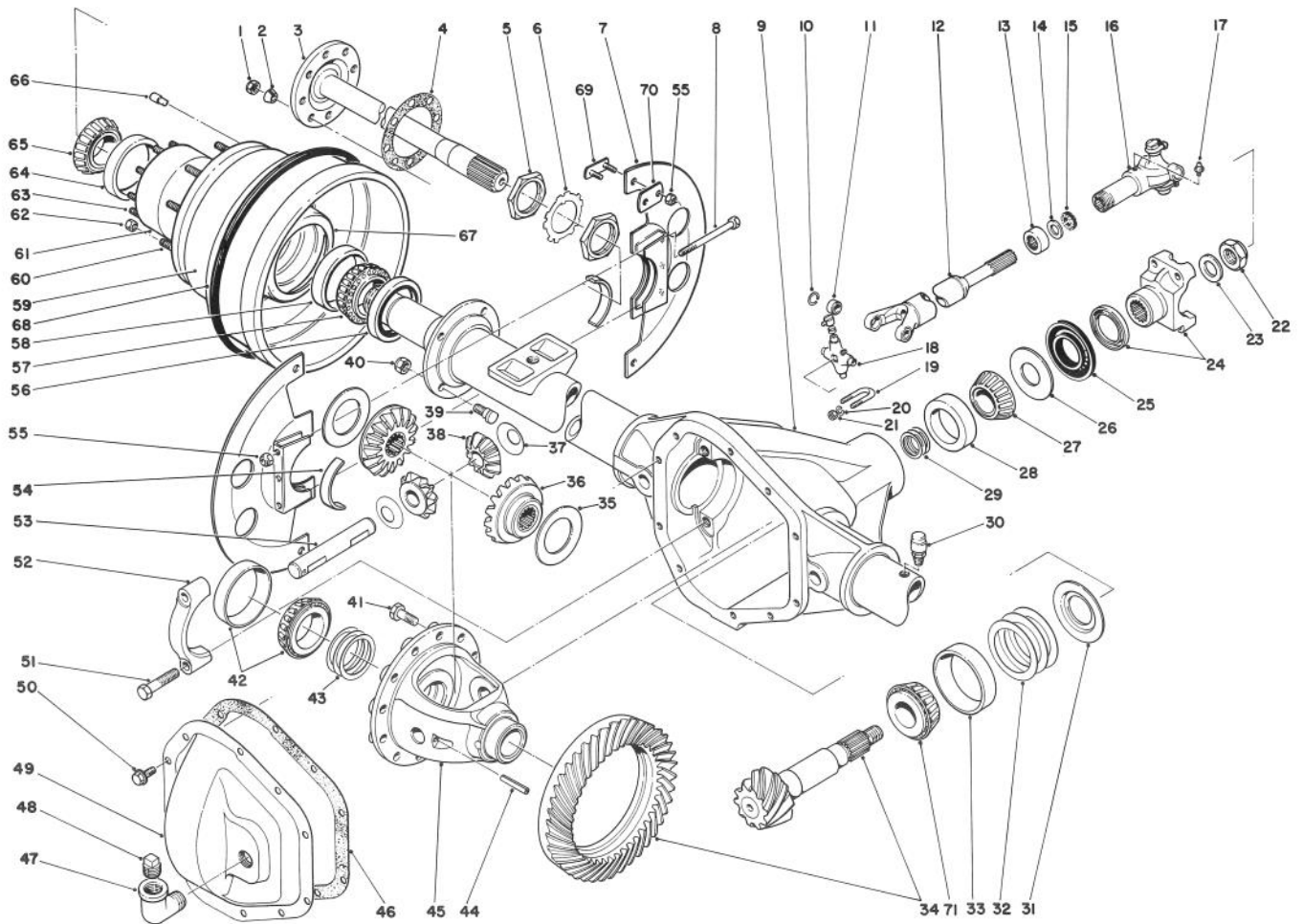


T-0773

PARKING BRAKE ASSEMBLY

Ref. No.	Part No.	Description	No. Used	Ref. No.	Part No.	Description	No. Used
†1	72-9840	Generator - Speedometer	1	19	3866676	Bolt	4
†2	40-9330	Assembly - Sleeve	1	20	357888	Socket - Shoe Adjustment	1
3	14067109	Assembly - Cable	1	21	357897	Nut - Shoe Adjustment	1
4	364690	Transmission Parking Brake	1	22	364692	Assembly - Screw & Nut	1
5	14009982	Plate - Backing	1			Shoe Adjustment	
6	18002428	Pin - Anchor	1			(Incl. Ref. #20-21)	
7	364694	Strut	1	23	3707417	Spring - Shoe Adjustment	1
8	1312281	Spring - Strut	1			Screw	1
9	15638245	Shoe & Lining	2	24	18002399	Spring - Shoe Hold Pin	2
10	5454797	Washer - Shoe Lever	1			Primary	2
11	9413523	Clip - Lever	1	25	5461146	Washer - Shoe Hold Pin	2
12	3694822	Spring Shoe Pull Back	2			Primary	2
13	3866674	Assembly - Flange	1	26	3866669	Lever	1
14	368009	Assembly - Drum	1	27	443770	Pin	1
†15	44-1150	Flange - Yoke	1	28	336973	Bolt	4
†16	3253-21	Washer - Lock	4	29	120382	Washer - Lock	4
†17	32152-8	Nut - Lock	4	30	3760300	Nut - Transmission	1
18	475516	Cover - Brake Shoe Adjustment Hole	1	31	3866754	Clamp	1
				32	3866917	Speedometer - Gear	1

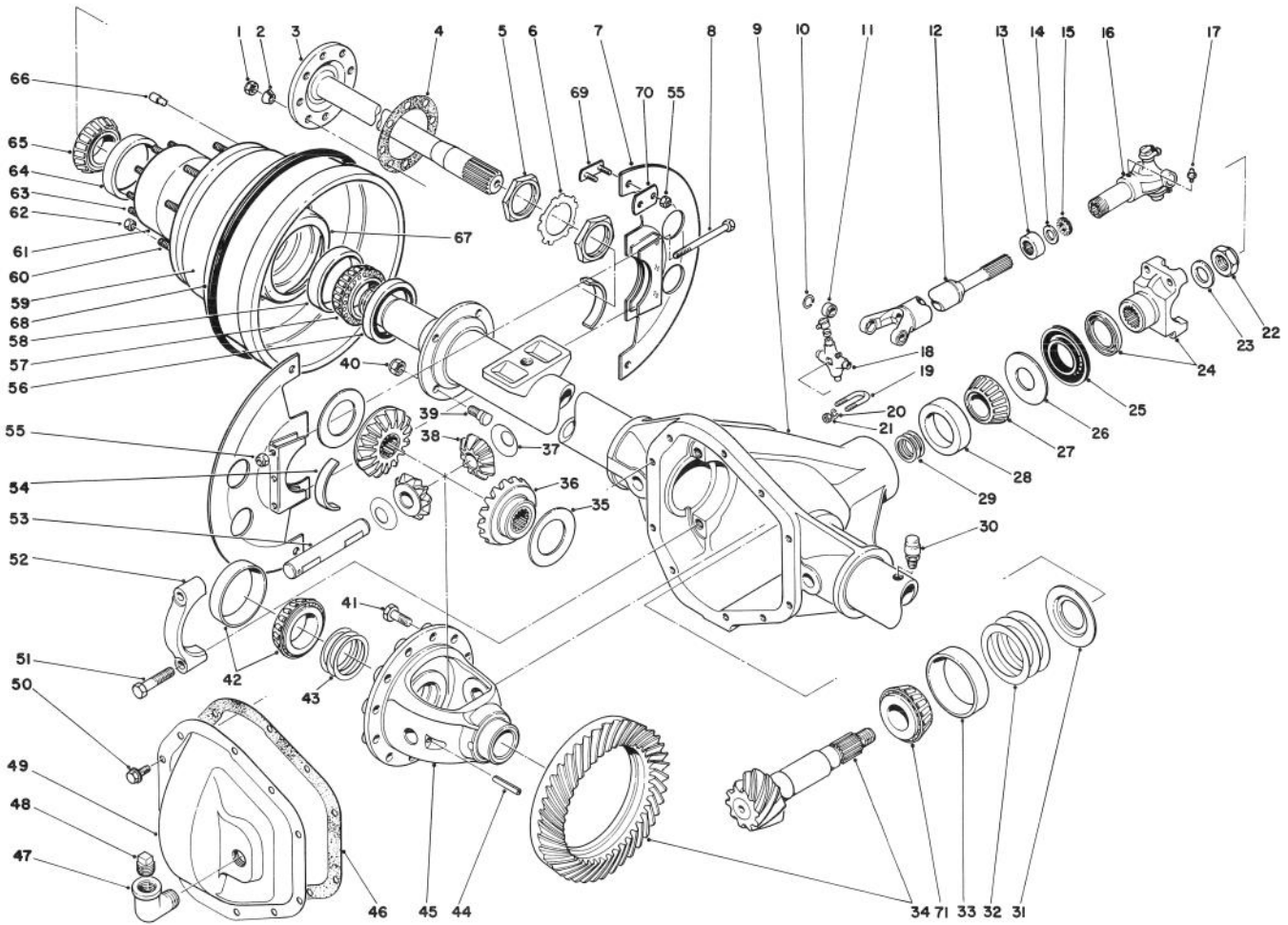
†Obtain from your local Toro Distributor. Obtain all other parts from your local GM, Chevrolet Dealer



T-0775

REAR AXLE AND DRIVE SHAFT ASSEMBLY

Ref. No.	Part No.	Description	No. Used	Ref. No.	Part No.	Description	No. Used
1	3296-7	Nut - Lock	16	26	80-3000	Slinger - Pinion Bearing	1
2	19-6810	Adapter - Stud	16	27	18-9410	Cone - Bearing	1
3	80-3020	Shaft - Axle, Flanged	2	28	18-9420	Cup - Bearing	1
4	24-8660	Gasket - Flange	2	29	37-8560	Shim - Pinion Bearing	1
5	19-6820	Nut - Spindle	4	30	37-7570	Vent	1
6	19-6840	Lock - Spindle Nut	2	31	19-6690	Baffle - Pinion Bearing	1
7	80-0390	Shield - Grass	4	32	37-8550	Shim - Drive Pinion	1
8	321-47	Screw - Cap Hex. Hd.	4	33	18-9300	Cup - Bearing	1
9	80-2990	Housing - Axle	1	34	37-8530	Gear & Pinion Assembly	1
10	18-4650	Ring - Retaining	6	35		Washer - Thrust, Gear	2
11		Assembly - Bearing	8	36		Gear - Differential	2
12	44-1440	Assembly - Shaft	1	37		Washer - Thrust, Pinion	2
13	18-4730	Retainer - Cap	1	38		Gear - Pinion	2
14	18-4710	Washer	1	39	19-6830	Bolt - Brake Flange	8
15	18-4700	Seal - Felt, Dust	1	40	3296-19	Nut - Lock	8
16	18-4680	Yoke - Slip	1	41	18-9340	Bolt - Drive Gear	12
17	18-4690	Fitting - Grease	1	42	37-8610	Kit - Differential Bearing	2
18	18-8700	Cross Journal & Bearing Kit (Incl. Ref. #10 & 11)	2	43	80-3150	Differential Bearing Shim Kit (Incl. Ref. #46)	1
19	214-229	U-Bolt	2	44	19-6630	Lock - Differential	1
20	3253-21	Washer - Lock	4	45		Case - Differential	1
21	32152-8	Nut - Lock	4	46	18-9190	Gasket - Cover, Carrier	1
22	18-9360	Nut - Pinion	1	47	2811-9	Elbow - Street	1
23	18-9370	Washer - Pinion Nut	1	48	285-1	Plug - Pipe	1
24	19-6700	Assembly - End Yoke	1	49	80-3170	Cover - Carrier, Gear	1
25	80-3010	Seal - Pinion	1	50	18-9200	Bolt - Cover, Carrier	10

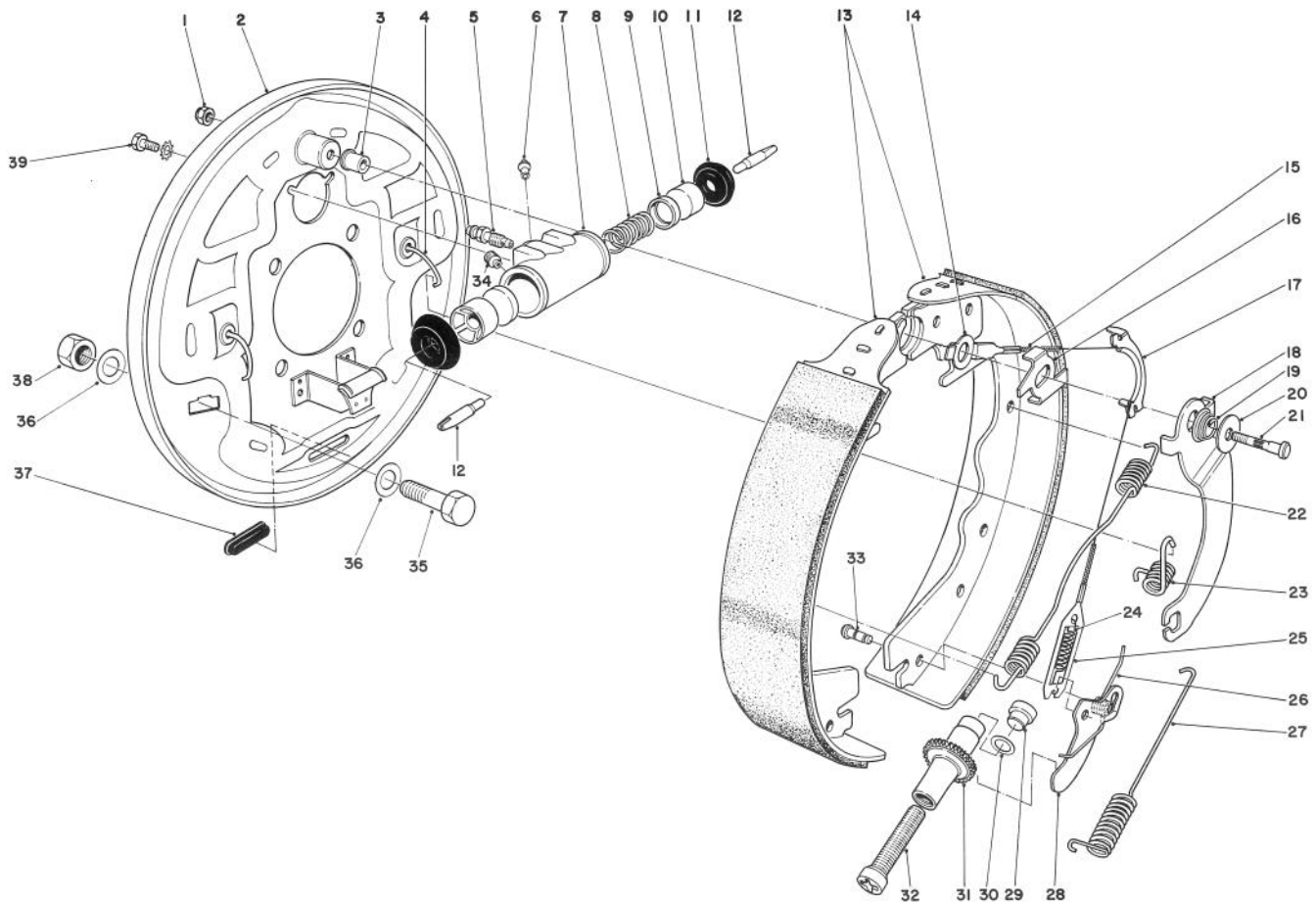


T-0775

REAR AXLE AND DRIVE SHAFT ASSEMBLY (Continued)

Ref. No.	Part No.	Description	No. Used
51	325-9	Bolt - Bearing Cap	4
52		Cap - Differential Bearing	2
53		Shaft - Differential	1
54	80-0370	Shim	A/R
55	32153-4	Nut - Lock	12
56	253-128	Seal - Oil	2
57	254-98	Cone - Bearing	2
58	254-100	Cup - Bearing	2
59	37-8490	Wheel Drum (Incl. Ref. #58, 63, 64 & 66)	2
60	242-67	Bolt - Wheel	16
61	37-8500	Hub - Wheel	2
62	242-69	Nut - Wheel	16
63	242-68	Stud - Flange	16
64	254-99	Cup - Bearing	2
65	254-101	Cone - Bearing	2
66	44-1490	Pin - Locating	2
67	54-7670	Slinger	2
68	57-6110	Seal - V-Ring	2
69	57-6100	U-Clamp	4
70	57-6070	Strap - U-Clamp	4
71	18-9300	Cup - Bearing	1
*	37-8570	Bearing Assembly (Incl. Ref. #27 & 28)	1

Ref. No.	Part No.	Description	No. Used
*	19-7120	Bearing Assembly (Incl. Ref. #33 & 71)	1
*	19-7140	Kit - Gear & Pinion Drive (Incl. Ref. #22, 23, 25-29, 31-34, 41, 43 & 46)	1
*	80-3120	Kit - Differential Case Assy. (Incl. Ref. #22, 23, 41, 43 & 44)	1
*	80-3130	Kit - Differential Parts (Incl. Ref. #22, 23, 35-38, 41, 44, 46 & 53)	1
*	80-3160	Carrier Cover Assembly (Incl. Ref. #48 & 50)	1
*	76-2510	Rear Axle - Complete (Incl. Ref. #3, 9, 22-38, 41-46, 49-54 & 71)	1
*	80-3140	Pinion & Bearing Shim Kit (Incl. Ref. #22, 23, 29, 32 & 46)	1
*	80-3030	Differential Case & Gear Kit (Incl. Ref. #23, 27, 35-38, 41, 43-46 & 53)	1
*	44-1430	Drive Shaft Assembly (Incl. Ref. #10-18)	1
*	505-92	Adhesive	1
*	505-91	Undercoat	1



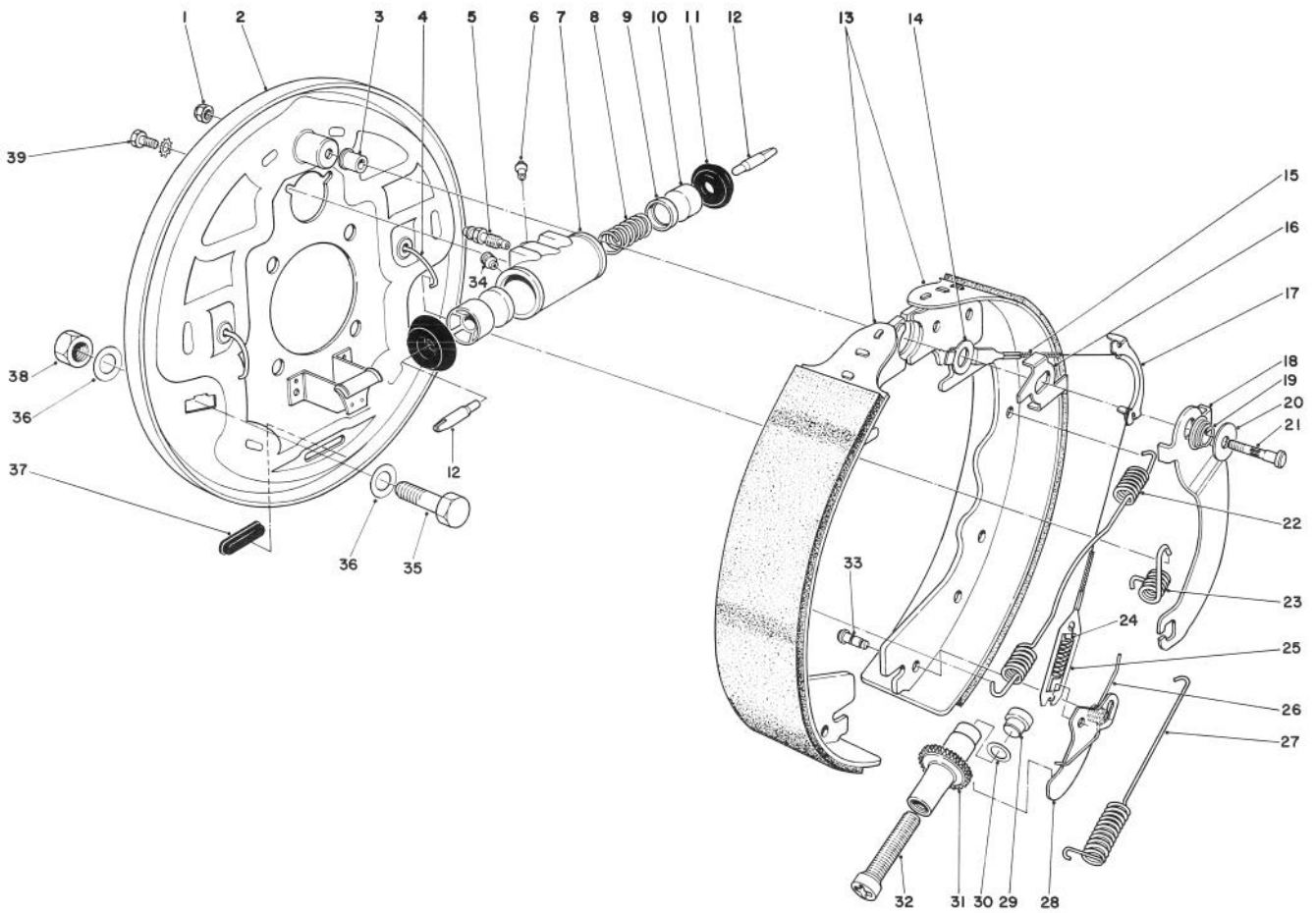
T-0779

REAR BRAKE ASSEMBLY

Ref. No.	Part No.	Description	No. Used
1	37-3770	Nut - Lock	2
2	37-3840	Back Plate & Guide L.H.	1
*	37-3850	Back Plate & Guide R.H.	1
3	37-3710	Bushing - Anchor Post	2
4	37-3970	Pin Shoe Hold Down Spring	4
5	19-6460	Screw - Bleeder	2
6	19-6450	Tube Seat Inlet	2
7	37-4040	Wheel Cylinder L.H. (Incl. Ref. #5, 6, 8-11 & 34)	1
*	37-4050	Wheel Cylinder R.H. (Incl. Ref. #5, 6, 8-11 & 34)	1
8		Spring	2
9		Cup	4
10		Piston	4
11		Boot	4
12	37-4010	Connecting Link Wheel Cylinder	4
13	40-9250	Shoe & Lining Set Front & Rear	1
14		Fitting - Anchor End	2
15		Cable	2
16	37-3690	Cam Plate - Preg. Br. Lever L.H.	1
*	37-3700	Cam Plate - Preg. Br. Lever R.H.	1

Ref. No.	Part No.	Description	No. Used
17	37-3780	Guide - Cable	2
18	37-3630	Lever - Parking Brake L.H.	1
*	37-3640	Lever - Parking Brake R.H.	1
19	37-3620	Spring - Anti Rattle Cam & Lever	2
20	37-3600	Washer - Parking Lever Retainer	2
21	37-3610	Bolt - Anchor	2
22	37-3990	Spring - Shoe to Shoe	2
23	37-3790	Spring - Shoe Hold Down	4
24		Spring - Over Travel	2
25		Fitting - Lever End	2
26	37-3800	Spring - Auto Adjusting LH	1
*	37-3810	Spring - Auto Adjusting RH	1
27	37-4000	Spring - Shoe to Shoe	2
28	37-3830	Lever - Auto Adjuster	2
29	37-3940	Socket - Pivot	2
30	37-3950	Washer - Adjusting Nut	2
31	37-3900	Nut - Adjusting L.H.	1
*	37-3910	Nut - Adjusting R.H.	1
32	37-3920	Screw - Pivot L.H.	1
*	37-3930	Screw - Pivot R.H.	1
33	37-3820	Pin - Auto Adjuster Lever	2
34		Screw - Body	2
35	325-3	Screw - Cap Hex. Hd.	2
36	3256-26	Washer - Flat	4
37	37-3960	Cover - Adjusting Hole	2

*Not Illustrated



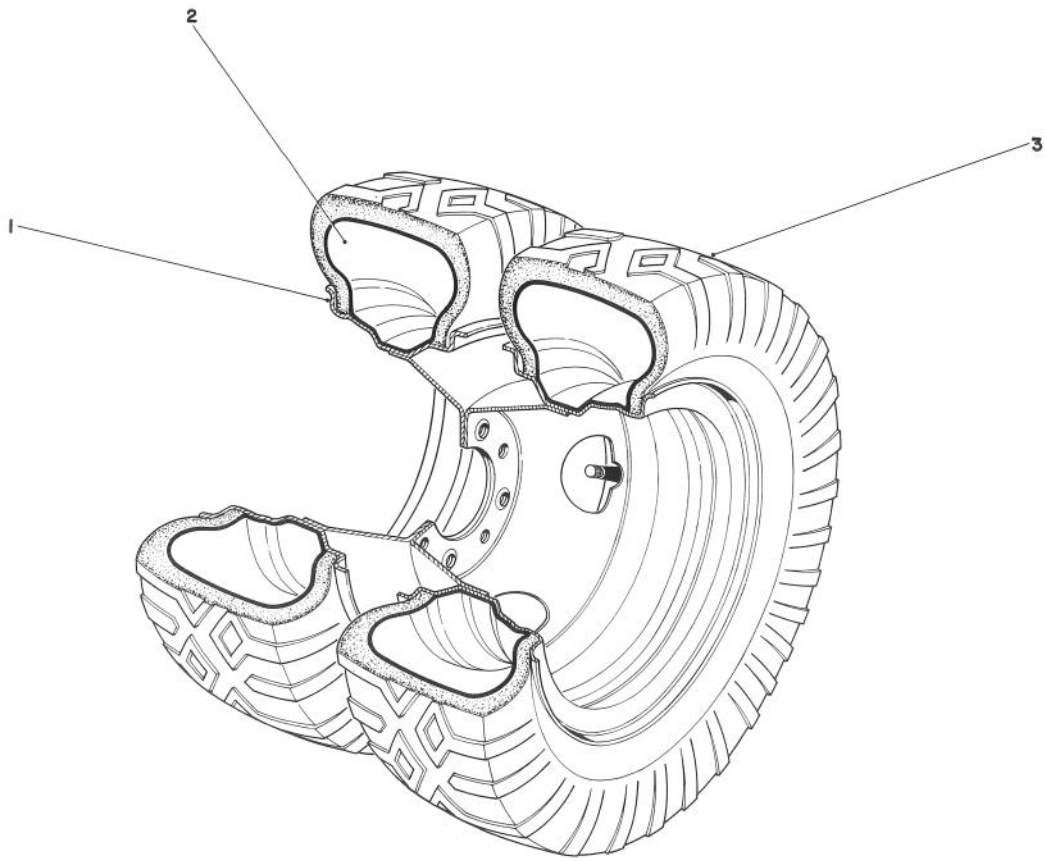
T-0779

REAR BRAKE ASSEMBLY (Continued)

Ref. No.	Part No.	Description	No. Used
38	32153-5	Nut - Lock	2
39	37-3980	Screw & Lockwasher	1
*	37-3580	Assembly - Cam Bolt L.H. (Incl. Ref. #3, 14-16, 18-21 & 24-25)	1
*	37-3590	Assembly - Cam Bolt R.H. (Incl. Ref. #3, 14-16, 18-21 & 24-25)	1
*	37-3720	Assembly - Cable & Fitting	

Ref. No.	Part No.	Description	No. Used
		(Incl. Ref. #14-15 & 24-25)	2
*	37-1020	Assembly - Brake L.H. (Complete)	1
*	37-1010	Assembly - Brake R.H. (Complete)	1

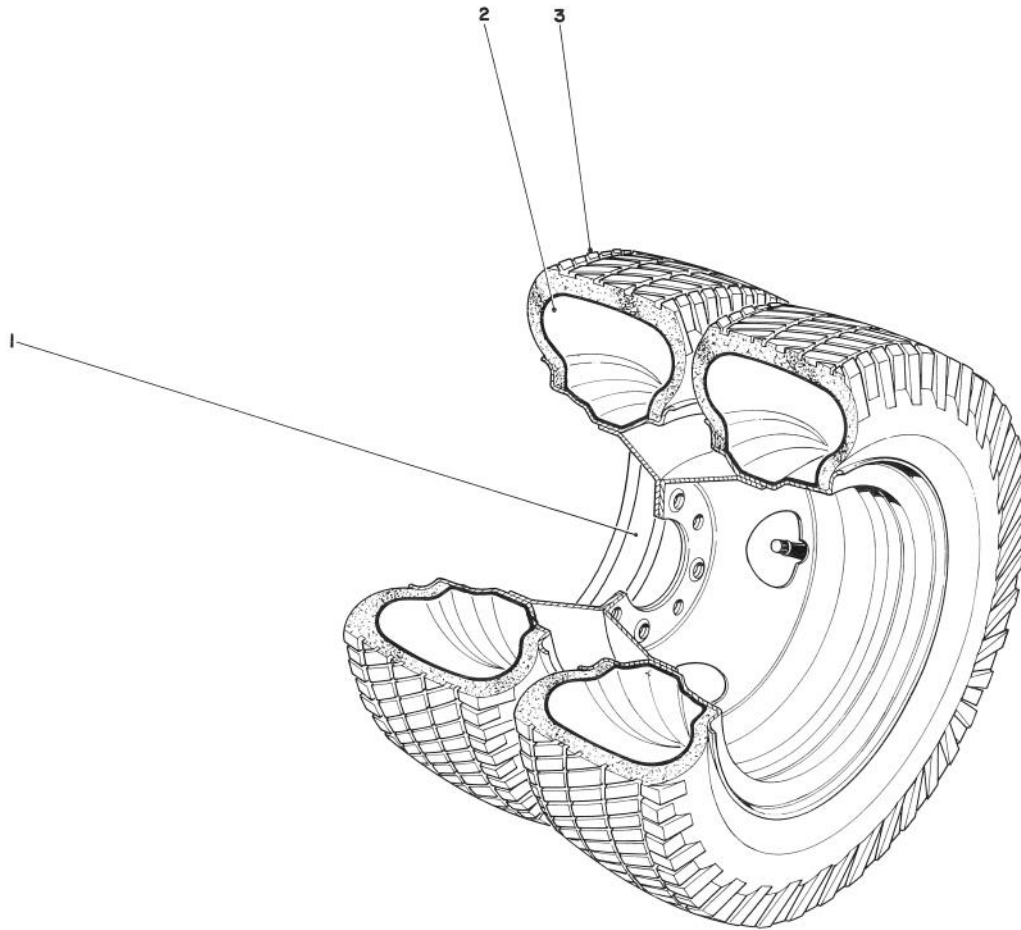
*Not Illustrated



T-0780

REAR TIRES & WHEELS 7.5 X 16 FIELD INSTALLED KIT MODEL NO. 70230

Ref. No.	Part No.	Description	No. Used	Ref. No.	Part No.	Description	No. Used
1	37-4320	Assembly - Wheel	4	3	231-5	Tire	4
2	28-9650	Tube - Inner	4				



T-0781

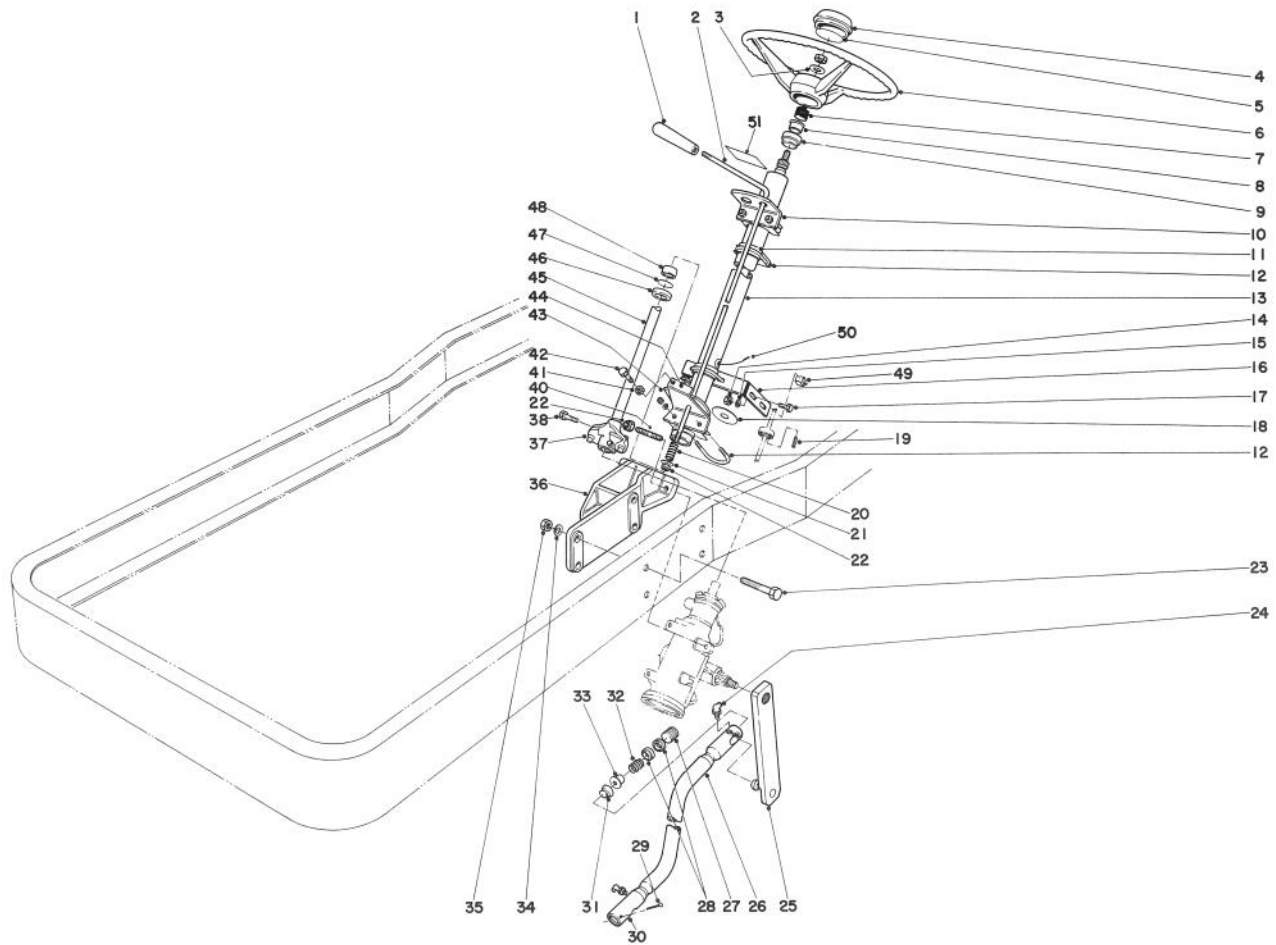
REAR TIRES & WHEELS 8.0 X 16 FIELD INSTALLED KIT MODEL NO. 70200

Ref. No.	Part No.	Description	No. Used
1	37-4320	Assembly - Wheel	4
2	28-9650	Tube - Inner	4

Ref. No.	Part No.	Description	No. Used
3	28-9640	Tire - Traction	4
*†	231-58	Rear Tire (9.50x 16)	4

*Not Illustrated

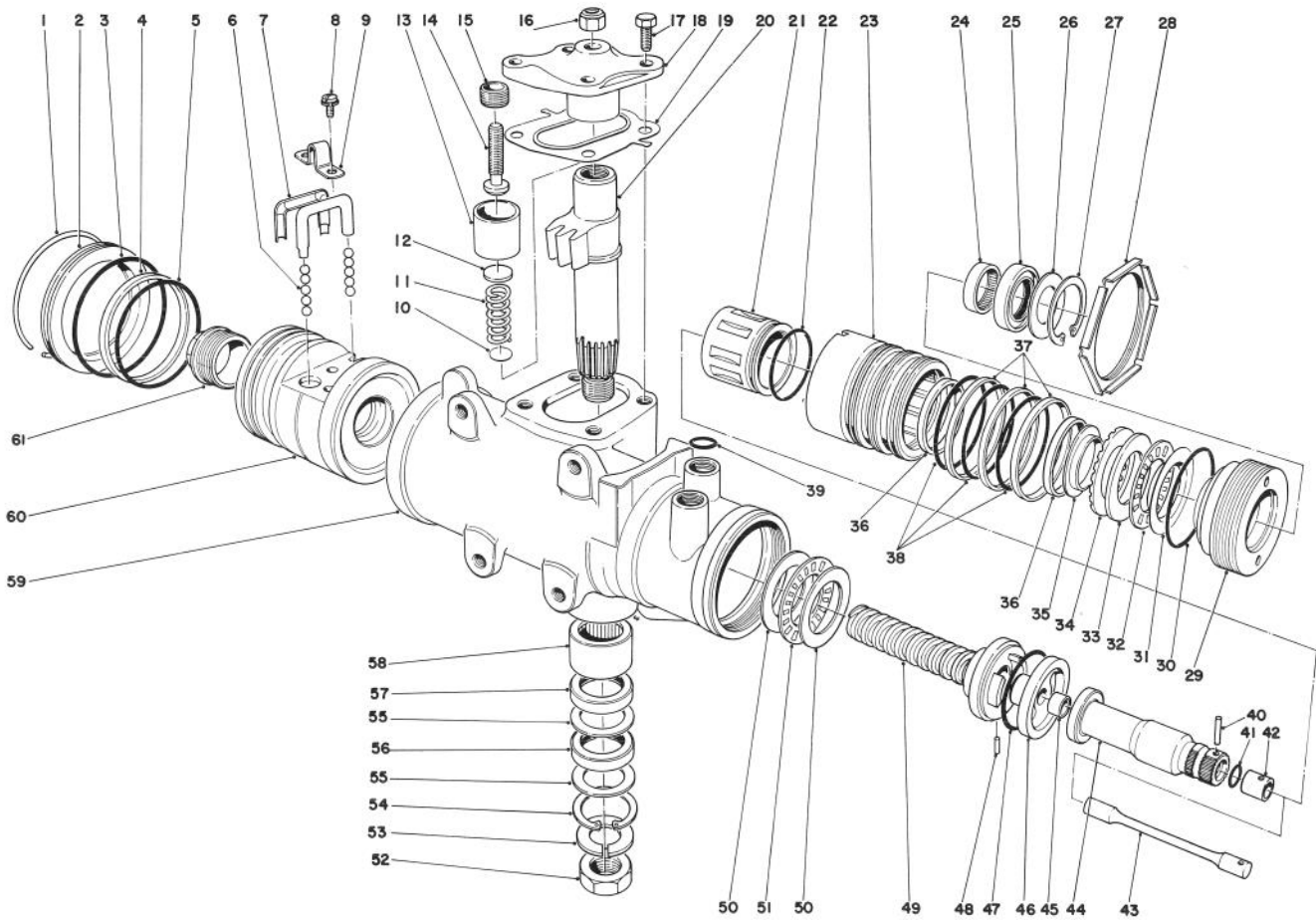
†Optional



T-0813

STEERING ASSEMBLY

Ref. No.	Part No.	Description	No. Used	Ref. No.	Part No.	Description	No. Used
1	18-2640	Handle	1	27	2116-5	Plug - End	2
2	18-2710	Lever - Handle Throttle	1	28	2116-6	Seat - Spherical	4
3	18-3130	Washer	1	29	3272-15	Pin - Cotter	2
4	18-2140	Cap - Wheel, Steering	1	30	18-0320	Drag Link (Incl. Ref. #24, 26-28 & 31-33)	1
5	18-3170	Decal	1	31	2116-8	Plug - Inner	2
6	18-2110	Wheel - Steering	1	32	2116-7	Spring	2
7	18-3120	Spring	1	33	2116-11	Seat - Spring	2
8	18-3110	Seat - Spring	1	34	3253-8	Washer - Lock	4
9	18-3030	Assembly - Bearing	1	35	3217-11	Nut - Hex	4
10	18-2480	Support - Throttle Lever	1	36	57-5790	Engine & Steering Mount	1
11	18-1310	Saddle	8	37	18-3010	Assembly - Flange	1
12	18-2130	Clamp	4	38	18-3100	Bolt	1
13	18-3050	Assy. - Jacket, Steering	1	40	57-5760	Stud - Steering Gear	3
14	32153-3	Nut - Lock	2	41	3218-2	Nut - Jam	1
15	3256-23	Washer - Flat	2	42	322-5	Screw - Cap Hex. Hd.	1
16	18-0830	Support - Column, Steering	1	43	38-1760	Plate - Friction	1
17	322-2	Screw - Cap Hex. Hd.	2	44	38-1740	Bracket - Friction Plate	1
18	3-2858	Disc - Friction	1	45	18-3090	Assembly - Shaft, Steering	1
19	32121-2	Pin - Roll	2	46	18-3070	Retainer - Seal, Bearing	1
20	3-8596	Spring - Compression	1	47	18-3080	Seal	1
21	3256-25	Washer - Flat	1	48	18-3060	Bushing	1
22	3296-7	Nut - Lock	4	49	218-214	Clip - Tinnerman	1
23	327-14	Screw - Cap Hex. Hd.	4	50	18-3040	Assembly - Cable, Horn	1
24	302-33	Fitting - Grease	2	51	26-5260	Decal - Throttle Control	1
25	18-2070	Arm - Pitman	1				
26	18-0330	Tube - Link, Drag	1				



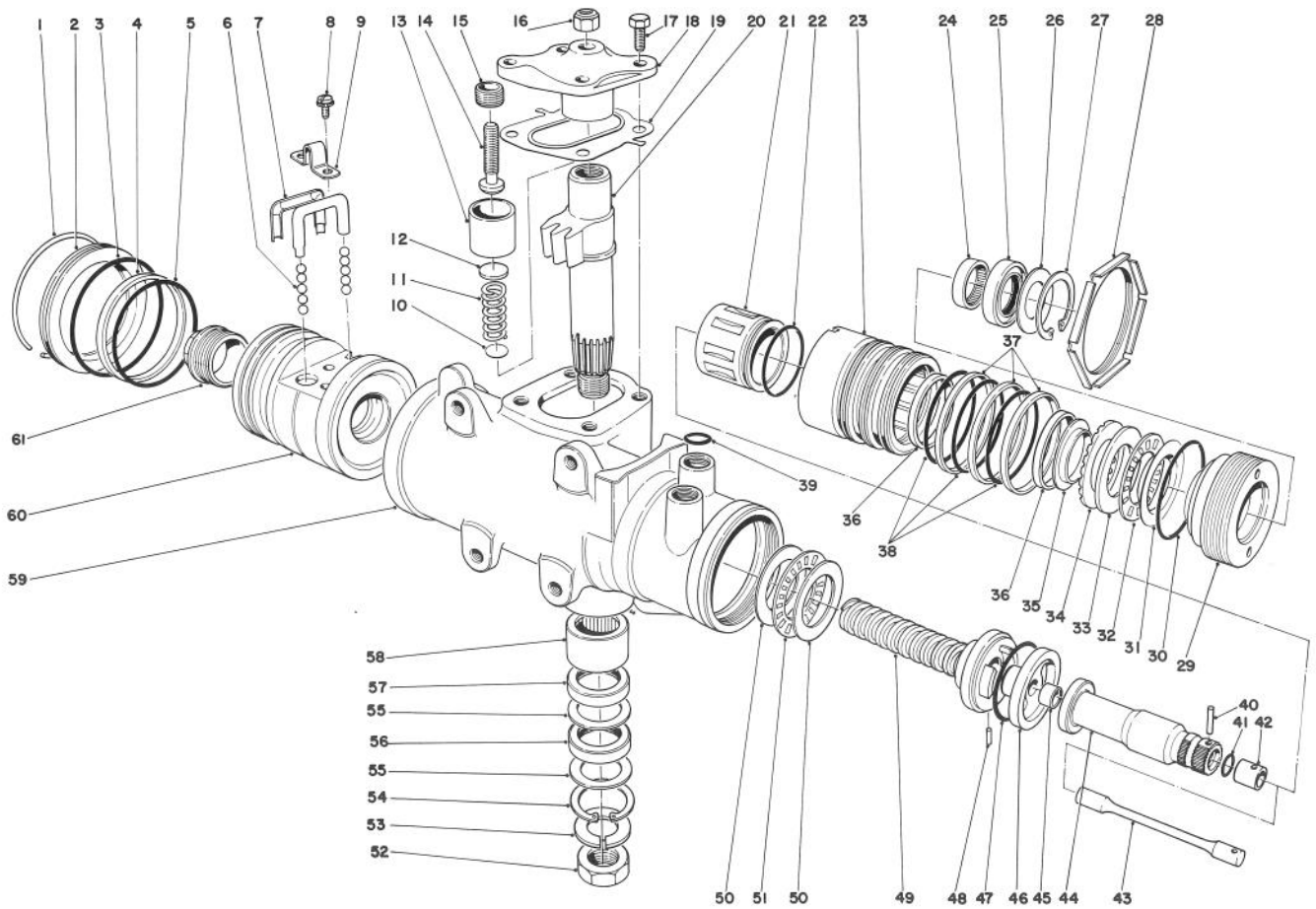
T-0783

STEERING GEAR ASSEMBLY NO. 39-7330

Ref. No.	Part No.	Description	No. Used
1		Ring - Retaining	1
2	18-4330	Plug - Housing End	1
3		Seal - Housing End Plug	1
4		Ring - Rack Piston	1
5		O-Ring, Rack Piston	1
6		Ball - Chrome Alloy (.2812 Dia.)	11
		Ball (.2806 Dia.)	11
7	18-4280	Return - Guide Ball	2
8	18-4260	Assy. - Screw/Lockwasher	2
9	18-4270	Clamp - Ball Return Guide	1
10		Washer - Lash Wear	1
11		Spring - Adjuster	1
12		Washer - Lash Adjuster	1
13		Bushing - Side Cover	1
14		Adjuster - Lash	1
15		Retainer - Lash Adjuster	1
16	28-8220	Nut - Lash Adjuster	1
17	28-8210	Bolt - Flange Hex Hd.	4
18		Cover - Housing Side (Inc. Ref. #13)	1
19	18-4180	Seal - Assembly Gasket	1
20		Gear - Pitman Shaft	1
21		Spool Valve	1
22	39-7430	O-Ring, Spool Valve	1
23		Valve Body	1

Ref. No.	Part No.	Description	No. Used
24	18-4240	Bearing - Needle	1
25		Seal - Stub Shaft	1
26		Seal, -Stub Shaft Dust	1
27		Ring - Retaining	1
28	18-4320	Nut - Adjuster Plug Lock	1
29		Plug - Adjuster	1
30	28-8200	O-Ring	1
31		Race - Upper Bearing	1
32		Bearing - Roller, Thrust	1
33		Race - Thrust Bearing	1
34		Spacer - Thrust Bearing	1
35		Retainer - Bearing	1
36		Sleeve - Valve Body	2
37		Ring, -Valve Body	3
38		O-Ring	3
39	39-7310	O-Ring	3
40		Pin - Torsion Bar	1
41		O-Ring	1
42		Sleeve - Torsion Bar	1
43		Bar - Torsion	1
44		Shaft - Stub	1
45		Bushing - Torsion Bar	1
46		Cap - Valve Body	1
47		O-Ring	1
48		Pin -Dowel	1
49		Worm - Steering	1

*Not Illustrated



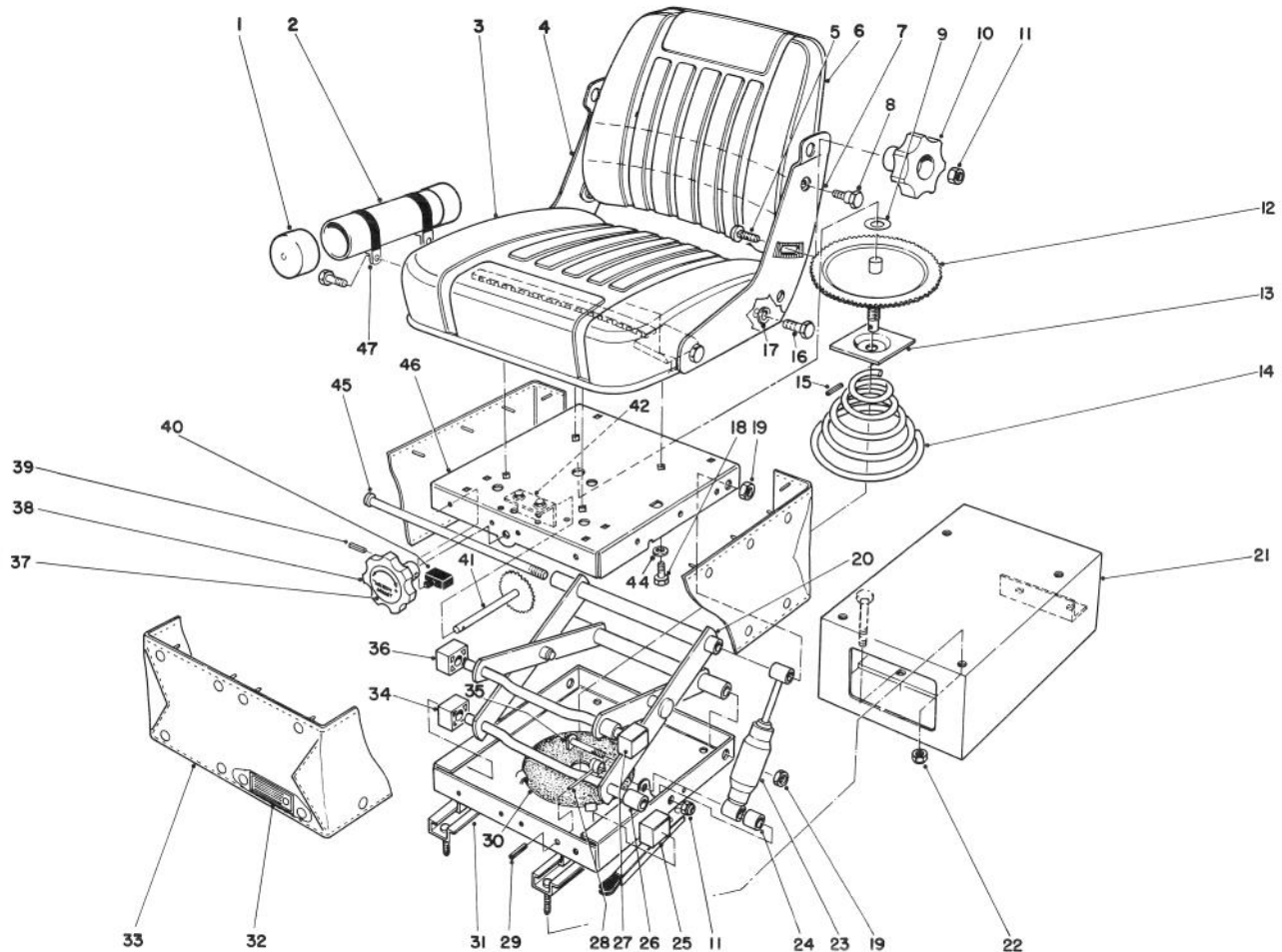
T-0783

STEERING GEAR ASSEMBLY NO. 39-7330 (Continued)

Ref. No.	Part No.	Description	No. Used
50		Race - Thrust Bearing	2
51		Bearing - Roller, Thrust	1
52	39-7440	Nut - Pitman, Arm	1
53	39-7420	Washer - Lock	1
54		Ring - Retaining	1
55		Washer -, Seal, Back Up	2
56		Seal - Pitman Shaft	1
57		Seal -, Pitman Shaft	1
58	18-4200	Bearing - Pitman Shaft	1
59		Housing - Steering Gear	1
60		Nut - Rack Piston	1
61	18-4340	Plug - Rack Piston End	1
*	28-8230	Bearing Service Kit - Upper Thrust (Incl. Ref. #31-35)	1
*	18-5150	Adjustment Seal Service Kit Plug (Incl. Ref. #25-27 & 30)	1
*	18-5160	Seal Kit - Pitman Shaft (Incl. Ref. #17, 54-57)	1
*	18-5170	Seal Kit - Valve Ring (Incl. Ref. #22,37-38 & 47)	1
*	18-5180	Bearing Kit - Lower Thrust (Incl. Ref. #50-51)	1
*	18-5190	Ball Kit, Recirculating (Incl. Ref. #6)	1

Ref. No.	Part No.	Description	No. Used
*	43-7660	Assembly - Cover Service Housing Side (Incl. Ref. #16-19)	1
*	28-8270	Seal Service Kit - End Plug (Incl. Ref. #1 & 3)	1
*	39-7410	Assy. - Steering Housing (Incl. Ref. #54-59)	1
*	18-4230	Assembly - Plug Service (Incl. Ref. #24-27 & 29-35)	1
*	28-8290	Seal Service Kit (Rack-Piston) (Incl. Items 4 & 5)	1
*	28-8250	Pitman Shaft, Gear Service (Incl. 12, 14-15 & 20)	1
*	39-7330	Steering Gear (Complete)	1
*	18-4310	Valve Assy. - Hyd. Gear (Incl. Ref. #21-23, 36-38 & 40-48)	1
*	18-4250	Rack/Piston/Nut Assembly Worm & Pin (Incl. Ref. #4-9,48, 49 & 60)	1

*Not Illustrated

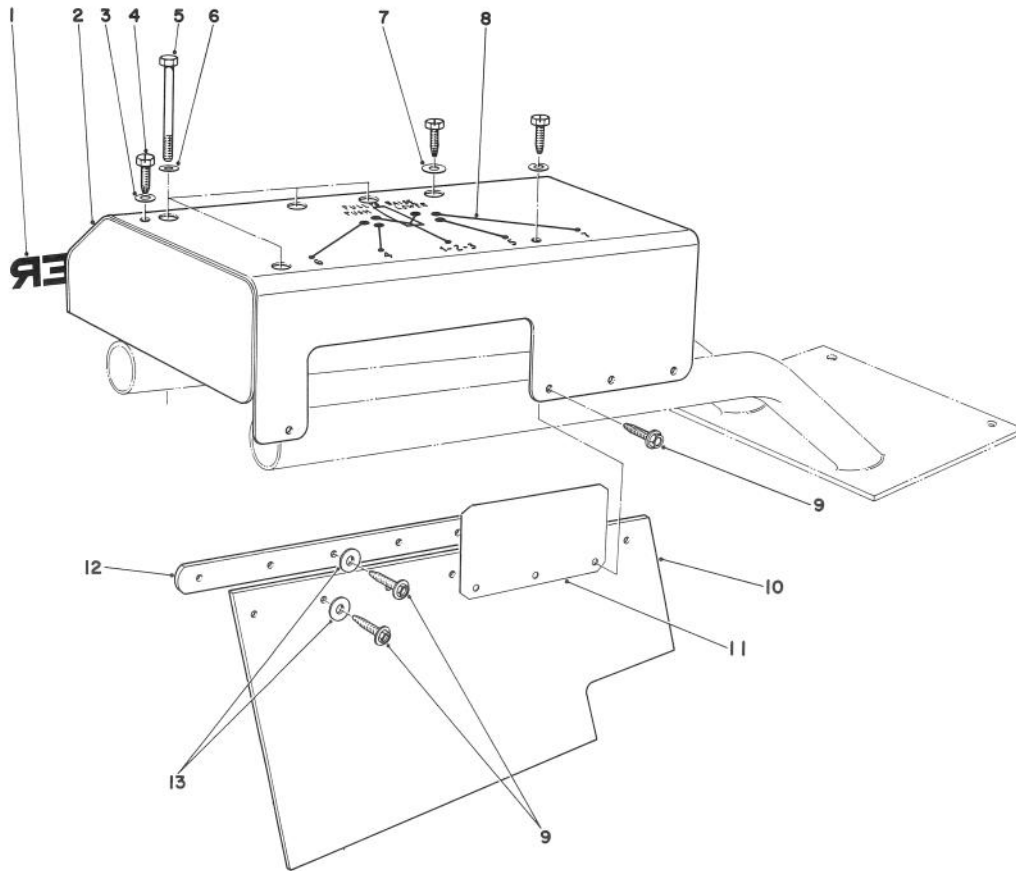


T-0627

SEAT ASSEMBLY NO. 60-9070 SEAT SUSPENSION ASSEMBLY NO. 46-3430

Ref. No.	Part No.	Description	No. Used
1	65-5890	Cap	2
2	65-5871	Tube	1
3	37-0600	Assembly - Cushion, Seat	1
4	60-9080	Bracket - R.H. Side	1
5	46-3410	Bolt - Carriage	2
6	44-8440	Cushion - Backrest	1
7	60-9090	Bracket - L.H. Side	1
8	60-9180	Bolt - Shoulder	2
9	37-0740	Washer - Thrust	1
10	44-8450	Knob - Tilt Adjustment	2
11	32153-2	Nut - Lock	6
12	37-0840	Assembly - Gear	1
13	37-0830	Assembly - Washer	1
14	37-0820	Spring	1
15	32121-45	Pin - Roll	1
16		Bolt	4
17	60-9170	Spacer	4
18	323-4	Screw - Cap Hex. Hd.	4
19	3296-45	Nut - Lock	2
20	46-3420	Suspension Arm Assembly	1
21	36-9630	Base - Seat	1
22	32153-3	Nut - Lock	4
23	37-0660	Absorber - Shock	1

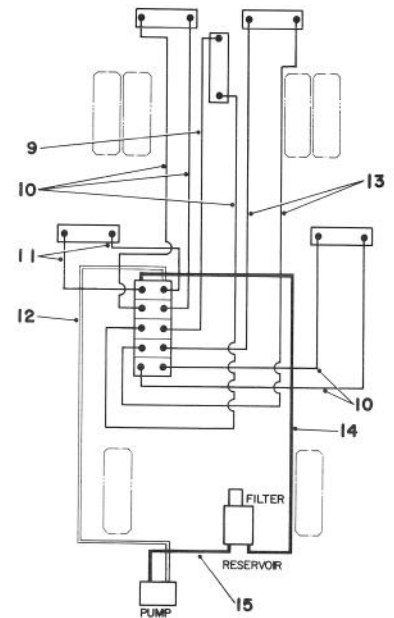
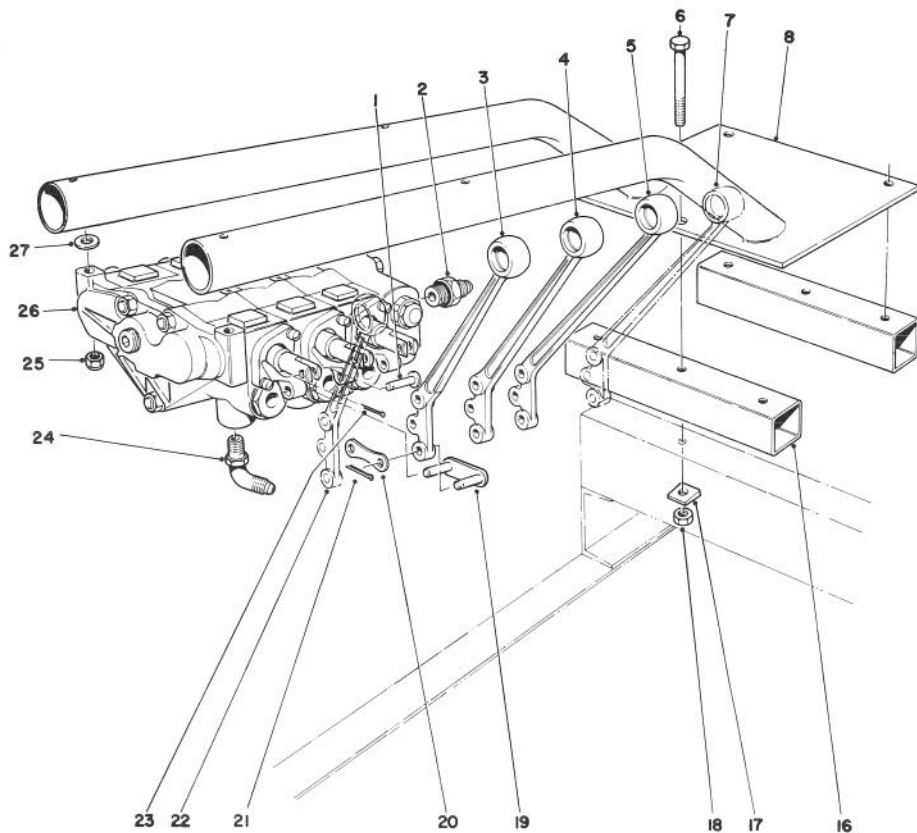
Ref. No.	Part No.	Description	No. Used
24	37-0670	Bearing	2
25	37-0650	Block - Slides, Lower L.H.	1
26	37-0880	Bearing	4
27	37-0640	Block - Slides, Upper L.H.	1
28	37-0780	Indicator - Ride	1
29	32121-24	Pin - Roll	1
30	37-0810	Pad	1
31	46-3400	Suspension Base Assembly	1
32	37-0770	Decal - Ride Instructions	1
33	37-0760	Assembly - Boot	1
34	37-0630	Block - Slides, Lower R.H.	1
35	37-0680	Bolt - Shoulder	1
36	37-0620	Block - Slides, Upper R.H.	1
37	37-0750	Decal - Weight	1
38	37-0730	Knob - Weight Adjustment	1
39		Pin - Spiral	1
40	37-0700	Bumper	2
41	37-0850	Assembly - Gear & Shaft	1
42	37-0860	Bracket - Seat	1
44	3256-24	Washer - Flat	4
45	44-8470	Shaft - Bearing	2
46	37-0690	Assembly - Upper Housing	1
47	2412-102	R-Clamp	2



T-0785

VALVE COVER AND SHIELD ASSEMBLY

Ref. No.	Part No.	Description	No. Used	Ref. No.	Part No.	Description	No. Used
1	19-2270	Decal	1	8	5-8080	Decal	1
2	28-8960	Cover - Valve	1	9	12-3270	Screw - Special	7
3	3256-24	Washer - Flat	2	10	28-8980	Flap - Valve	1
4	32104-6	Screw - Self Tapping	3	11	28-9000	Cover - Closer	1
5	322-38	Screw - Cap Hex. Hd.	3	12	28-8990	Strap - Support	1
6	3256-23	Washer - Flat	3	13	3256-22	Washer - Flat	2
7	3256-4	Washer - Flat	1				



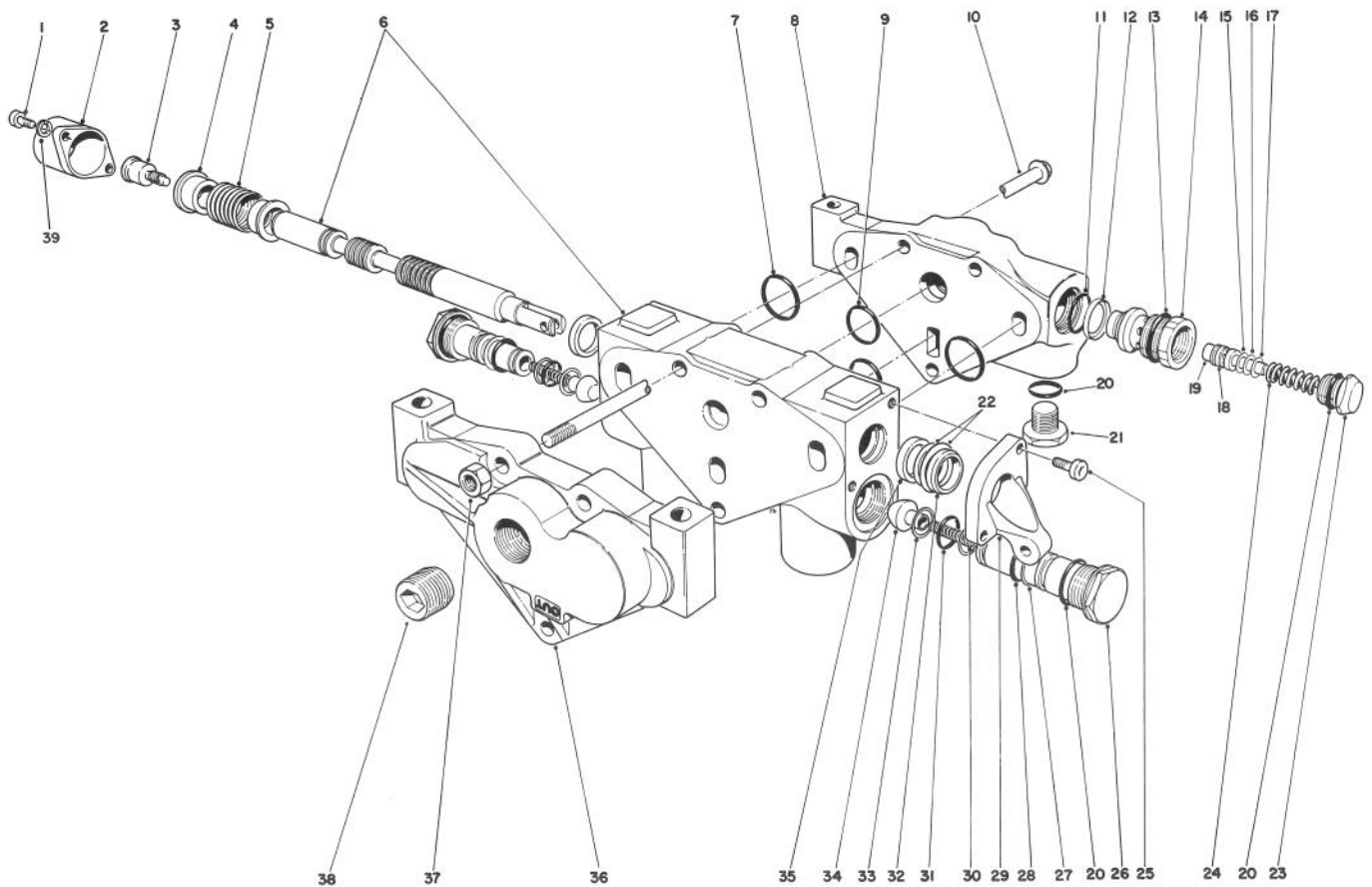
T-0786

VALVE BANK AND HOSES ASSEMBLY

Ref. No.	Part No.	Description	No. Used
1		Pin	5
2	353-433	Fitting - Swivel, Female	2
3	5-7840	Lever - Modified	1
4	353-323	Lever	1
5	5-7830	Lever - Modified	1
6	325-13	Screw - Cap Hex. Hd.	3
7	5-7860	Lever - Modified	1
8	28-9030	Stand - Valve	1
9	26-8520	Hose - Hydraulic	1
10	5-0200	Hose - Hydraulic (77")	5
11	5-0220	Hose - Hydraulic (46")	2
12	23-8140	Hose - High Pressure (94")	1
13	5-0230	Hose - Hydraulic (102")	2
14	28-9010	Hose - Return (62")	1
15	19-3050	Hose - Suction	1

Ref. No.	Part No.	Description	No. Used
16	3-0166	Spacer - Tube	2
17	3290-216	Washer - Bevel	3
18	32153-5	Nut - Lock	3
19		Handle - Link	5
20		Plate - Link	5
21		Pin - Cotter	10
22	5-7850	Lever - Modified	1
23		Pin - Cotter	5
24	353-212	Elbow - Male	10
25	3296-29	Nut - Lock	3
26	44-7701	Valve - Hydraulic Control (Complete)	1
27	3256-23	Washer - Flat	3
	63-8760	Kit - Link Pin (Incl. Ref. #1, 19-21 & 23)	1

*Not Illustrated

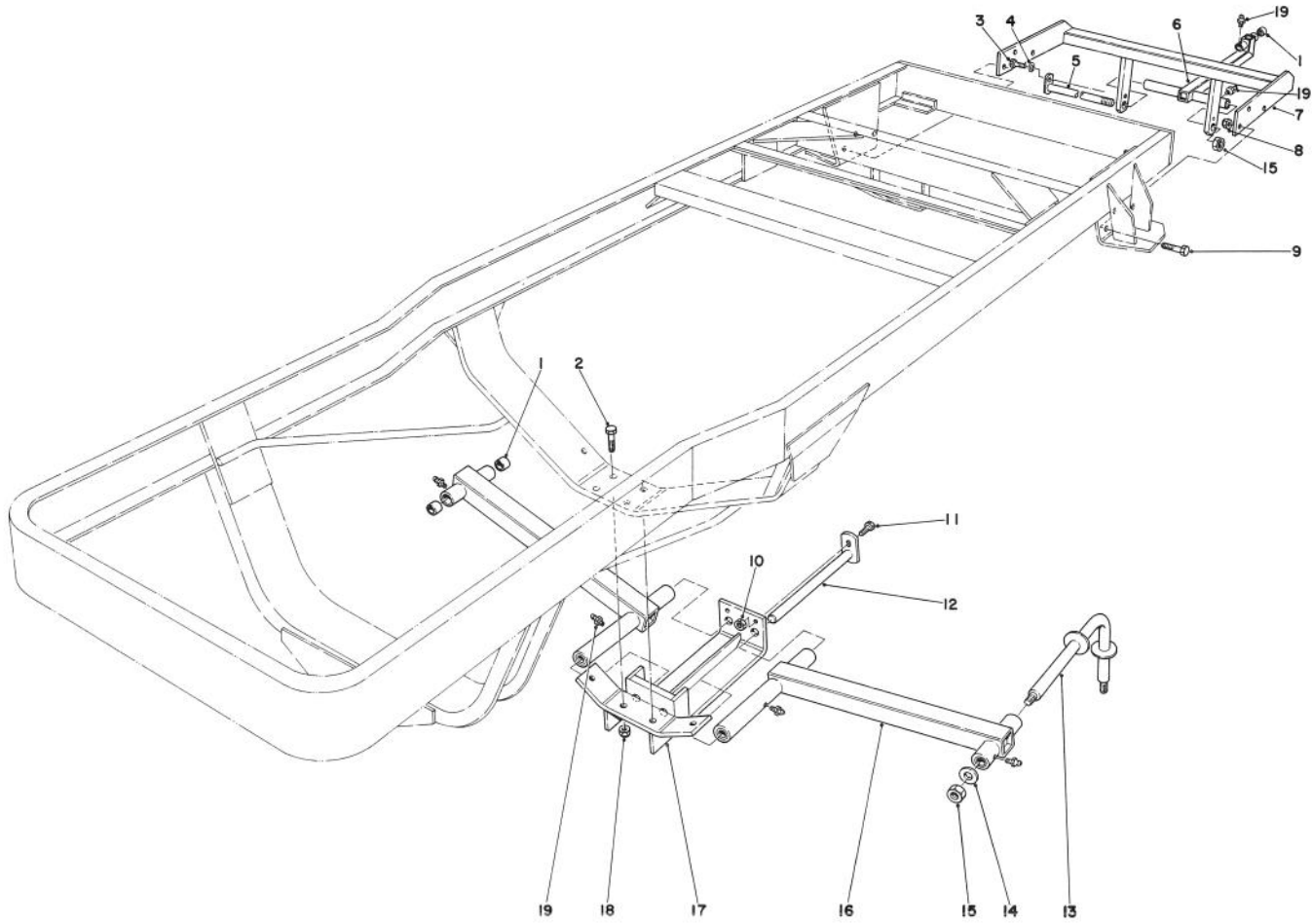


T-0787

HYDRAULIC VALVE ASSEMBLY NO. 44-7701

Ref. No.	Part No.	Description	No. Used	Ref. No.	Part No.	Description	No. Used
1	353-976	Screw - Hex Socket Hd.	10	25	52-5900	Screw - Hex Socket Hd.	10
2	68-4240	Bonnet	5	26	44-7660	Plug - Valve, Check	10
3	52-5860	Spool - Collar	5	27	353-306	Washer - Backup	10
4	353-417	Stop - Collar	10	28	353-305	O-Ring	10
5	44-7650	Spring	5	29	353-324	Bracket - Handle	5
6		Assy. - Housing & Spool	5	30	353-304	Spring - Valve, Check	10
7		Section Seal - Return	12	31	353-302	O-Ring	10
8	44-7621	Cover - End	1	32	353-318	Wiper - Secondary Spool	5
9		O-Ring	12	33	353-303	Washer - Backup	20
10	44-7612	Bolt - Hex Washer Hd.	3	34	353-301	Poppet - Valve, Check	10
11	353-758	O-Ring	1	35	353-570	Seal - Spool	10
12	353-759	Seal, Back Up	1	36	353-554	Cover - End	1
13	353-331	O-Ring	1	37	3219-3	Nut - Lock	3
14	353-760	Body - Relief	1	38	353-325	Plug	1
15	353-328	Shim (.040)	1	39	3253-3	Washer - Lock	10
16	353-329	Shim (.020)	1	*	44-7680	Valve Section Complete (Incl. Ref. #1-6 & 26-35)	5
17	353-330	Shim (.010)	1	*	353-481	Plug Load Check (Incl. Ref. #26-28, 31 & 33)	10
18	353-392	Seal - Relief Poppet	1	*	353-743	Seal Kit (Incl. Ref. #28, 31 & 33)	1
19	353-531	Assembly - Poppet Relief	1		353-835	Seals - Section Set (Incl. Ref. #7 & 9)	1
20	237-80	O-Ring	12				
21	353-721	Plug	2				
22	353-515	Seal Kit (Incl. Ref. #33)	10				
23	353-334	Cap - Relief Valve	1				
24	46-2370	Spring	1				

*Not Illustrated

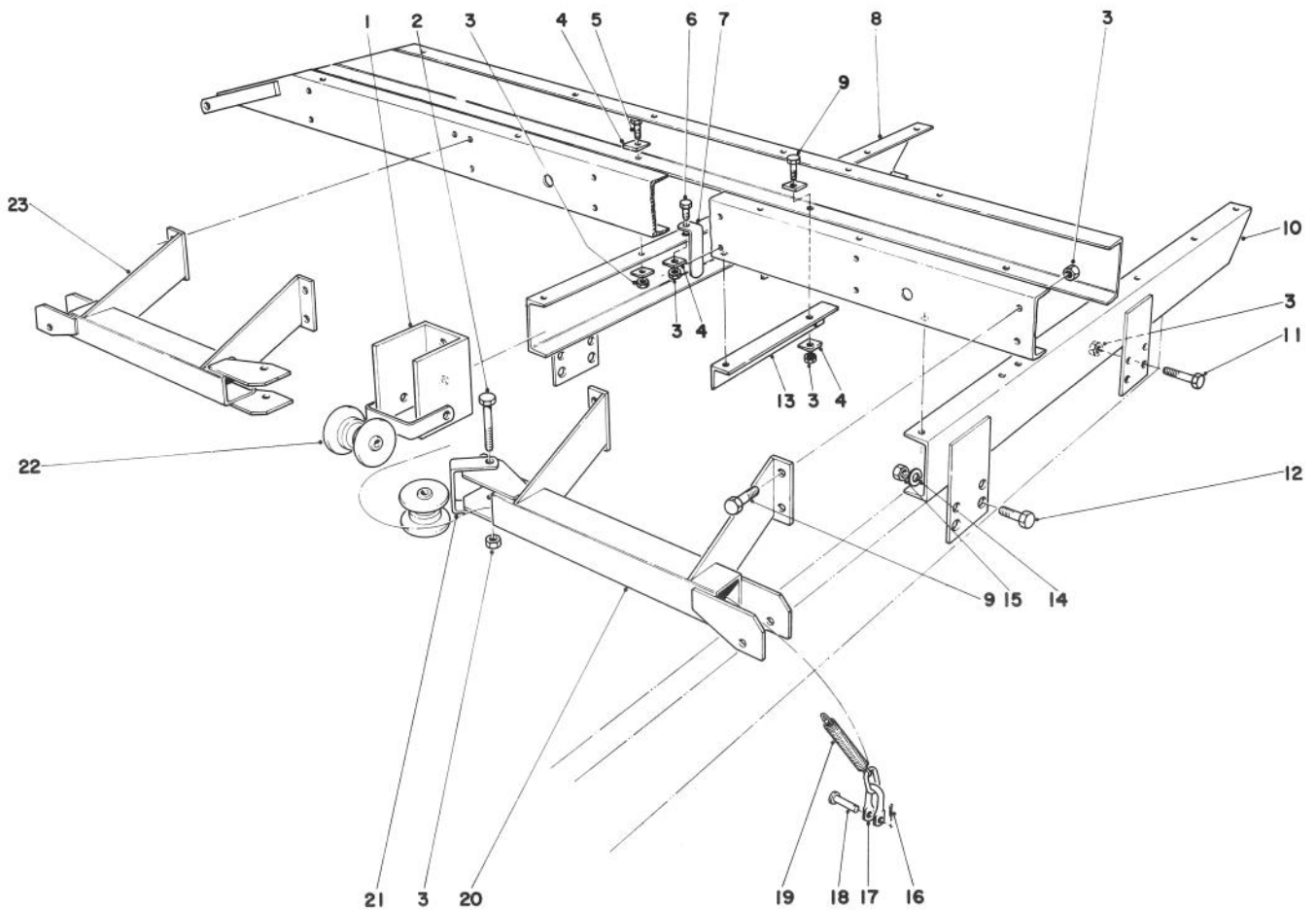


T-0788

DRAWBAR ASSEMBLY NO. 1, 2 AND 3 POSITION

Ref. No.	Part No.	Description	No. Used
1	3-0348	Bushing	18
2	327-22	Screw - Cap Hex. Hd.	4
3	322-3	Screw - Cap Hex. Hd.	1
4	3253-4	Washer - Lock	1
5	37-2760	Pin - Bail Lift	1
6	26-8390	Arm - Lift	1
7	26-8270	Support - Pivot	1
8	3296-51	Nut - Lock	6
9	328-24	Screw - Cap Hex. Hd.	6

Ref. No.	Part No.	Description	No. Used
10	32153-3	Nut - Lock	2
11	322-6	Screw - Cap Hex. Hd.	2
12	26-8250	Pin - Lift Arm	2
13	26-8310	Pin - Lift Bail	3
14	3-8448	Washer	3
15	32153-10	Nut - Lock	4
17	26-8160	Support - Lift Arm	1
18	3296-24	Nut - Lock	4
19	302-5	Fitting - Grease	6

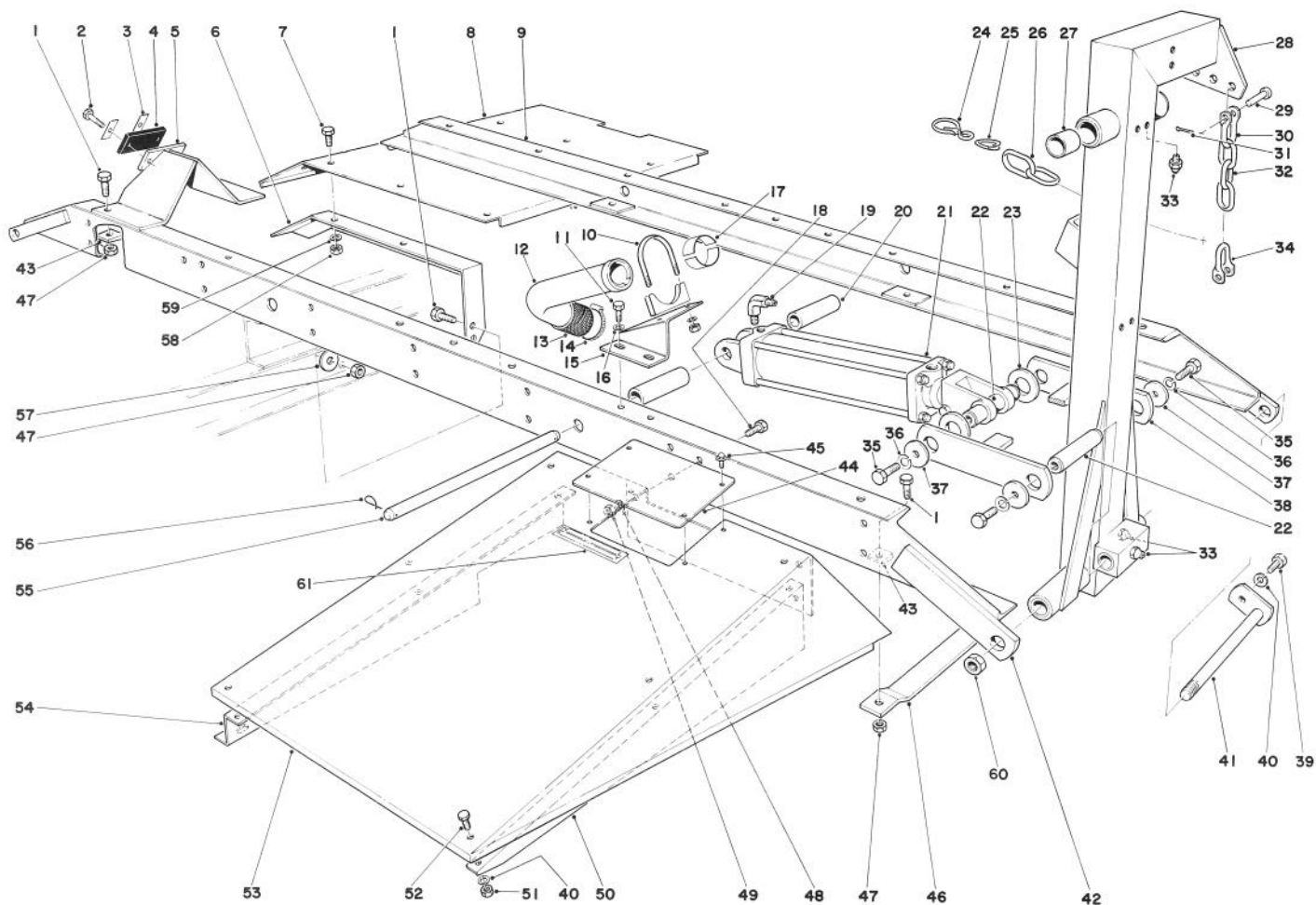


T-0789

MAIN FRAME ASSEMBLY – FRONT

Ref. No.	Part No.	Description	No. Used
1	3-0112	Bracket – Sheave	1
2	325-18	Screw – Cap Hex. Hd.	5
3	32153-5	Nut – Lock	25
4	3290-216	Washer	10
5	325-8	Screw – Cap Hex. Hd.	4
6	325-5	Screw – Cap Hex. Hd.	2
7	3-0236	Clip – Hose	2
8	3-4608	Channel – Side, Right	1
9	325-6	Screw – Cap Hex. Hd.	10
10	3-4606	Channel – Side, Left	1
11	325-7	Screw – Cap Hex. Hd.	2
12	327-4	Screw – Cap Hex. Hd.	6

Ref. No.	Part No.	Description	No. Used
13	26-8580	Support – Chain	1
14	3253-8	Washer – Lock	6
15	3217-11	Nut – Hex	6
16	3272-10	Pin – Cotter	2
17	5-2942	Shackle	2
18	283-10	Pin	2
19	5-1706	Spring	2
20	3-6690	Tube – Side, Mower L.H.	1
21	3-0136	Keeper – Chain	5
22	3-2196	Sheave	5
23	3-6680	Tube – Side, Mower R.H.	1



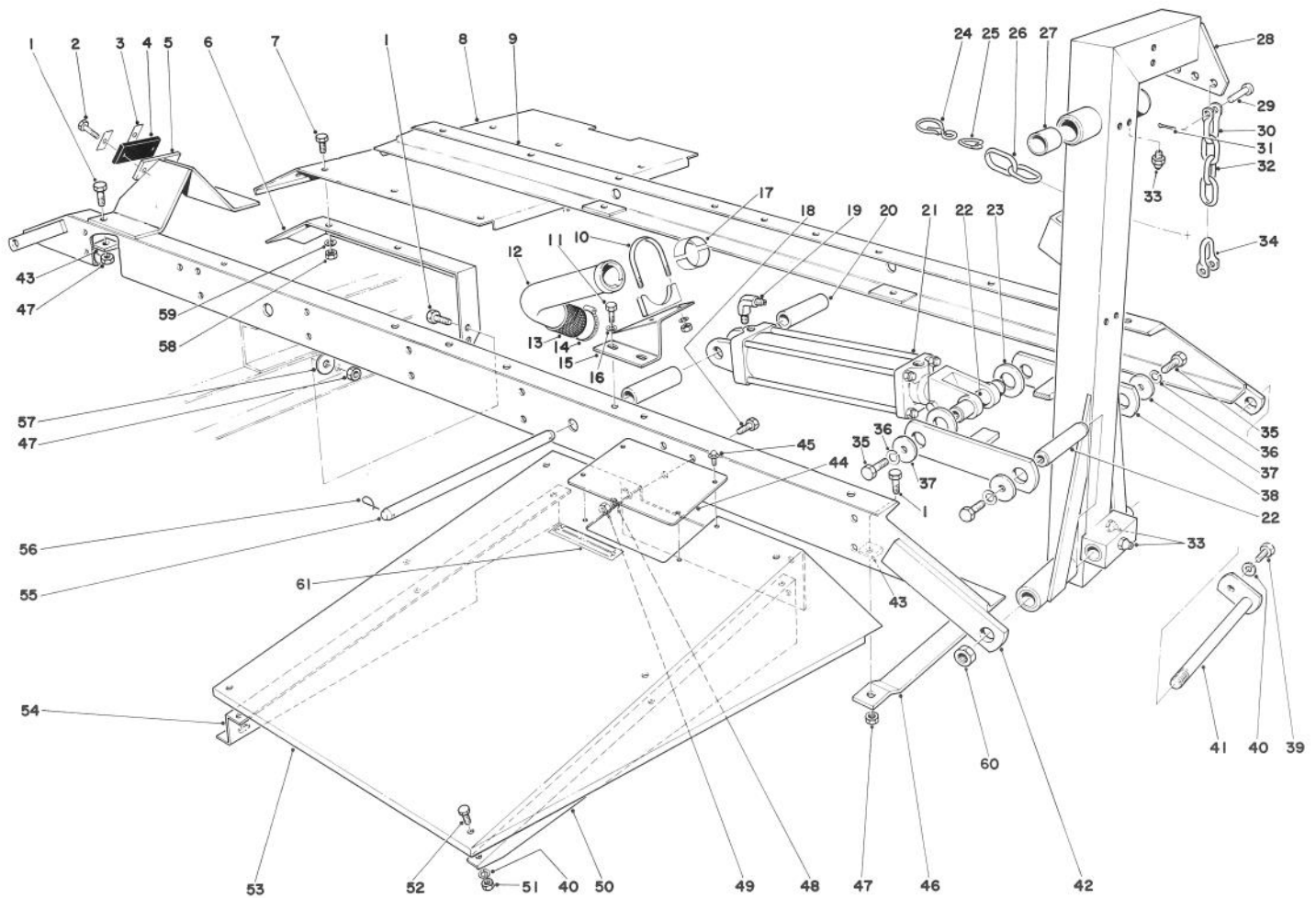
T-0814

MAIN FRAME ASSEMBLY – FRONT CENTER

Ref. No.	Part No.	Description	No. Used
1	325-6	Screw – Cap Hex. Hd.	10
2	3290-319	Screw – Machine	4
3	11-5270	Washer – Bumper	4
4	11-4590	Pad – Bumper	2
5	11-5630	Stop – Arm	2
6	3-6520	Bracket	4
7	325-3	Screw – Cap Hex. Hd.	16
8	3-4596	Mudguard R.H.	1
*	3-4597	Mudguard L.H.	1
9	37-2840	Channel – Frt. Cross, Rear	1
10	18-8590	Clamp	1
11	34104-6	Screw – Self Tapping	2
12	18-2410	Tube – Fill	1
13	18-2790	Extension – Hose	1
14	2412-42	Clamp – Hose	2
15	18-2420	Bracket – Fill Tube	1
16	3256-24	Washer – Flat	2
17	18-8600	Saddle	
18	323-6	Screw – Cap Hex. Hd.	6
19	5-6560	Elbow (78)	4
20	20-4390	Spacer – Tube	4
21	22-7530	Cylinder 12"	2
22	3-0128	Shaft	4
23	3256-62	Washer – Flat	4
24	286-3	Hook – Snap	4
25	287-2	Cold Shut	4

Ref. No.	Part No.	Description	No. Used
26	3-1365	Chain – Safety (15 Links)	2
27	3-0348	Bushing	16
28	37-2800	Lift Arm L.H. No. 6 (Incl. Ref. #27)	1
*	37-2810	Lift Arm R.H. No. 7 (Incl. Ref. #27)	1
29	283-10	Pin	4
30	5-2942	Shackle	2
31	3272-10	Pin – Cotter	4
32	3-4636	Chain – Lift (7 Links)	2
33	302-5	Fitting – Grease	6
34	8-0280	Shackle	2
35	3211-4	Screw	8
36	3253-5	Washer – Lock	8
37	5-1720	Washer	8
38	23-2610	Link	2
39	322-3	Screw – Cap Hex. Hd.	2
40	3253-4	Washer – Lock	14
41	37-2760	Pin – Bail, Lift	2
42	37-2860	Channel – Frt. Cross, Front	1
43	3290-216	Washer – Bevel	8
44	21-5610	Cover	2
45	32104-76	Screw – Self Tapping	8
46	37-2910	Rest – Cylinder	2
47	32153-5	Nut – Lock	10
48	3253-21	Washer – Lock	6

*Not Illustrated



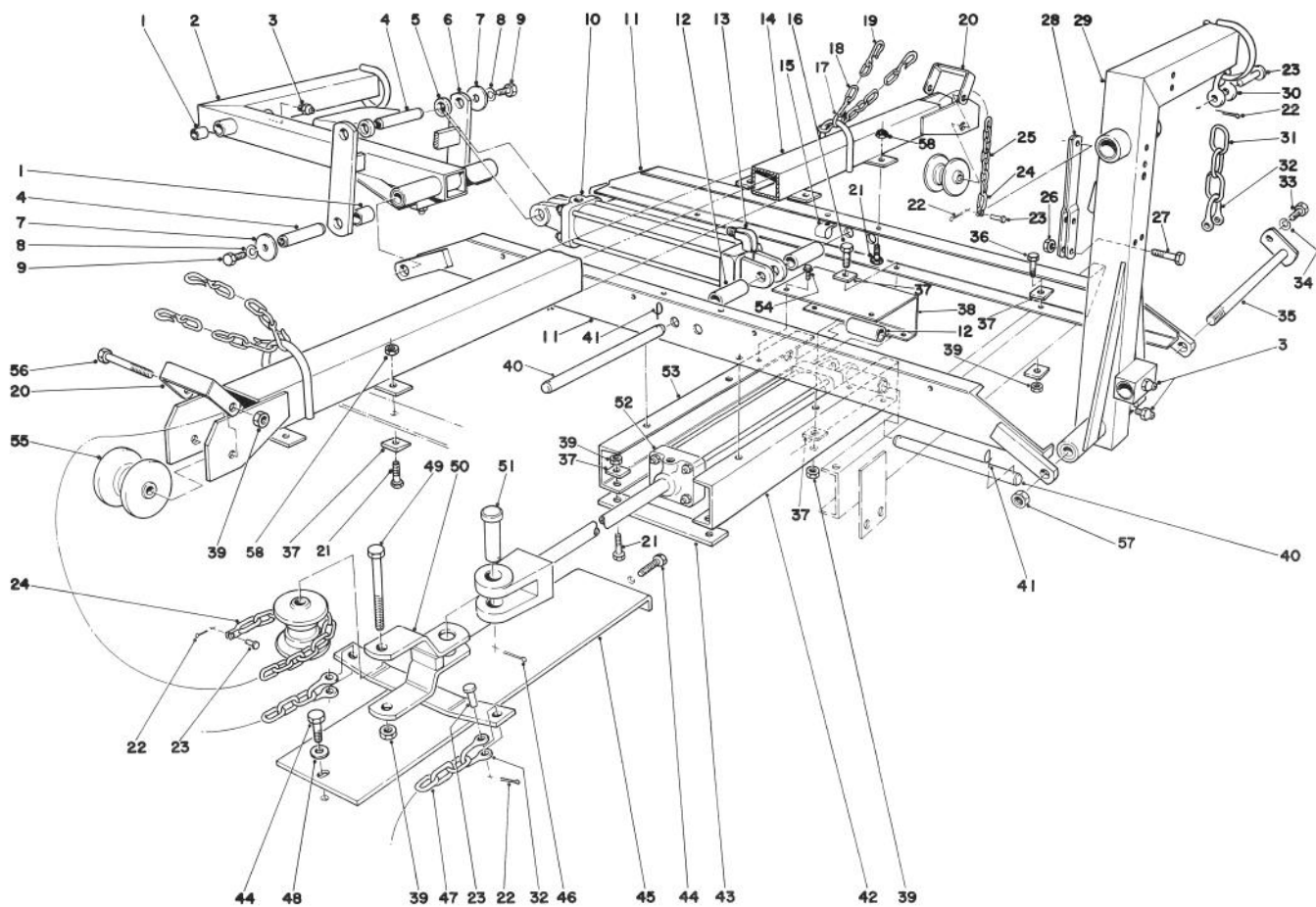
T-0814

MAIN FRAME ASSEMBLY – FRONT CENTER (Continued)

Ref. No.	Part No.	Description	No. Used
49	3217-7	Nut - Hex	6
50	5-2262	Bframe - Fender	2
51	3217-6	Nut - Hex	12
52	322-2	Screw - Cap Hex. Hd.	12
53	21-5480	Fender L.H.	1
*	21-5490	Fender R.H.	1
54	5-2263	Mount - Fender, L.H.	1
*	5-2264	Mount - Fender, R.H.	1

Ref. No.	Part No.	Description	No. Used
55	3-0144	Shaft	2
56	5-3126	Pin - Spring	4
57	3-1615	Spacer	2
58	3217-9	Nut - Hex	16
59	3253-7	Washer - Lock	16
60	32153-10	Nut - Lock	2
61	19-3700	Decal - Diesel Fuel	1

*Not Illustrated

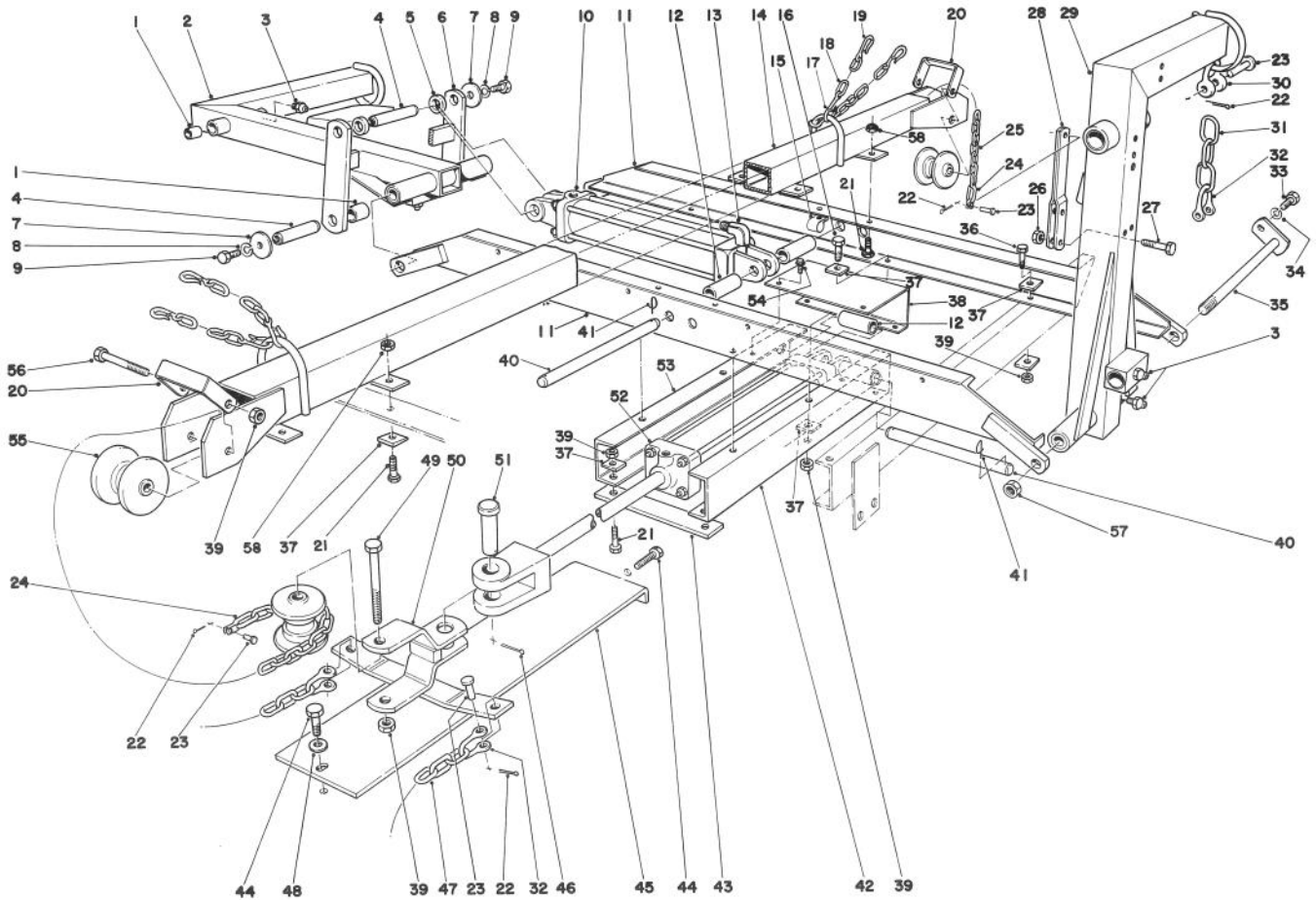


T-0791

MAIN FRAME ASSEMBLY - REAR

Ref. No.	Part No.	Description	No. Used
1	3-0348	Bushing	16
2	37-2890	Arm - Short (Incl. Ref. #1)	1
3	302-5	Fitting - Grease	6
4	3-0128	Shaft	4
5	3256-30	Washer - Flat	4
6	23-2610	Link	2
7	5-1720	Washer	8
8	3253-5	Washer - Lock	8
9	3211-4	Screw - Cap Hex. Hd.	8
10	22-7520	Cylinder - Hydraulic, 10"	2
11	8-1280	Channel - Cross, Rear	2
12	20-4390	Spacer - Tube	6
13	5-6560	Elbow	6
14	26-8460	Brace - Channel	1
15	304-61	Clamp - Hose	1
16	325-7	Screw - Cap Hex. Hd.	4
17	286-3	Hook - Safety	4
18	287-2	Link - Chain, Repair	4
19	3-1365	Chain	2
20	3-0136	Keeper - Chain	2
21	325-6	Screw - Cap Hex. Hd.	10
22	3272-10	Pin - Cotter	8
23	283-10	Pin	8
24	5-2942	Shackle	2
25	26-8540	Chain - Lift	1

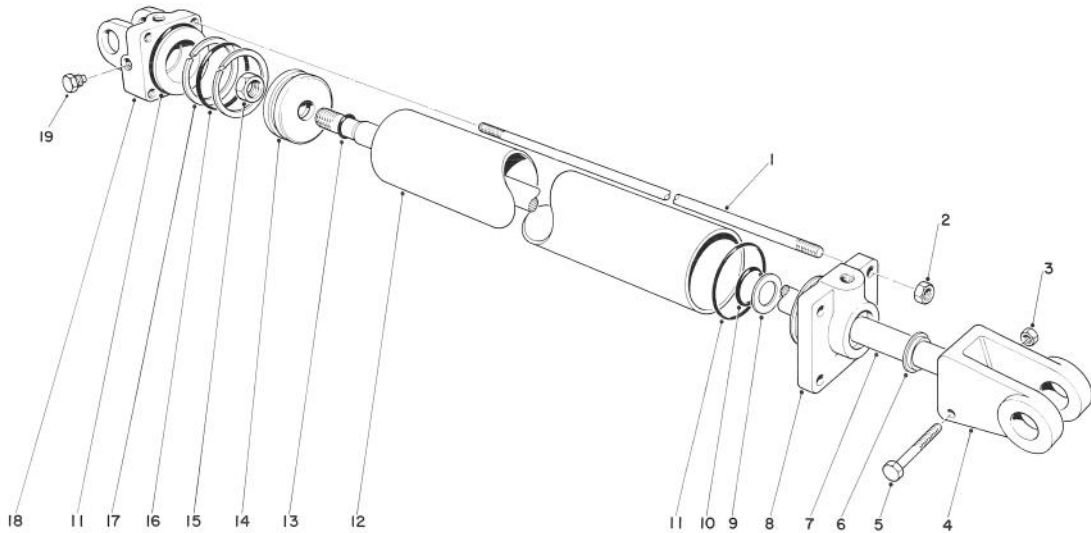
Ref. No.	Part No.	Description	No. Used
26	32153-2	Nut - Lock	1
27	323-8	Screw - Cap Hex. Hd.	1
28	26-8370	Lift	1
29	37-2880	Arm - Short (Incl. Ref. #1)	1
30	8-0280	Shackle - Chain	2
31	3-4636	Baail - Lift, Chain	2
32	8-0280	Shackle	4
33	322-3	Screw - Cap Hex. Hd.	2
34	3253-4	Washer - Lock	2
35	37-2760	Pin - Lift, Bail	2
36	325-8	Screw - Cap Hex. Hd.	4
37	3290-216	Washer	18
38	42-3550	Cover - Mount, Cylinder	1
39	32153-5	Nut - Lock	10
40	3-0144	Shaft	3
41	5-3126	Pin - Spring	6
42	26-8490	Channel L.H.	1
43	26-9690	Rest - Cylinder	1
44	32104-6	Screw - Self Tapping	2
45	18-2620	Plate	1
46	3272-13	Pin - Cotter	1
47	26-8530	Chain - Lift	2
48	3256-24	Washer - Flat	1
49	325-14	Screw - Cap Hex. Hd.	1
50	26-8210	Support - Pulley	1



T-0791

MAIN FRAME ASSEMBLY – REAR (Continued)

Ref. No.	Part No.	Description	No. Used	Ref. No.	Part No.	Description	No. Used
51	26-8590	Pin – Cylinder	1	55	3-2196	Sheave	3
52	22-7530	Cylinder 12''	1	56	325-18	Screw – Cap Hex. Hd.	2
53	37-2790	Channel R.H.	1	57	32153-10	Nut – Lock	2
54	32104-17	Screw – Self Tapping	4	58	32128-27	Nut – Flange Hd.	8



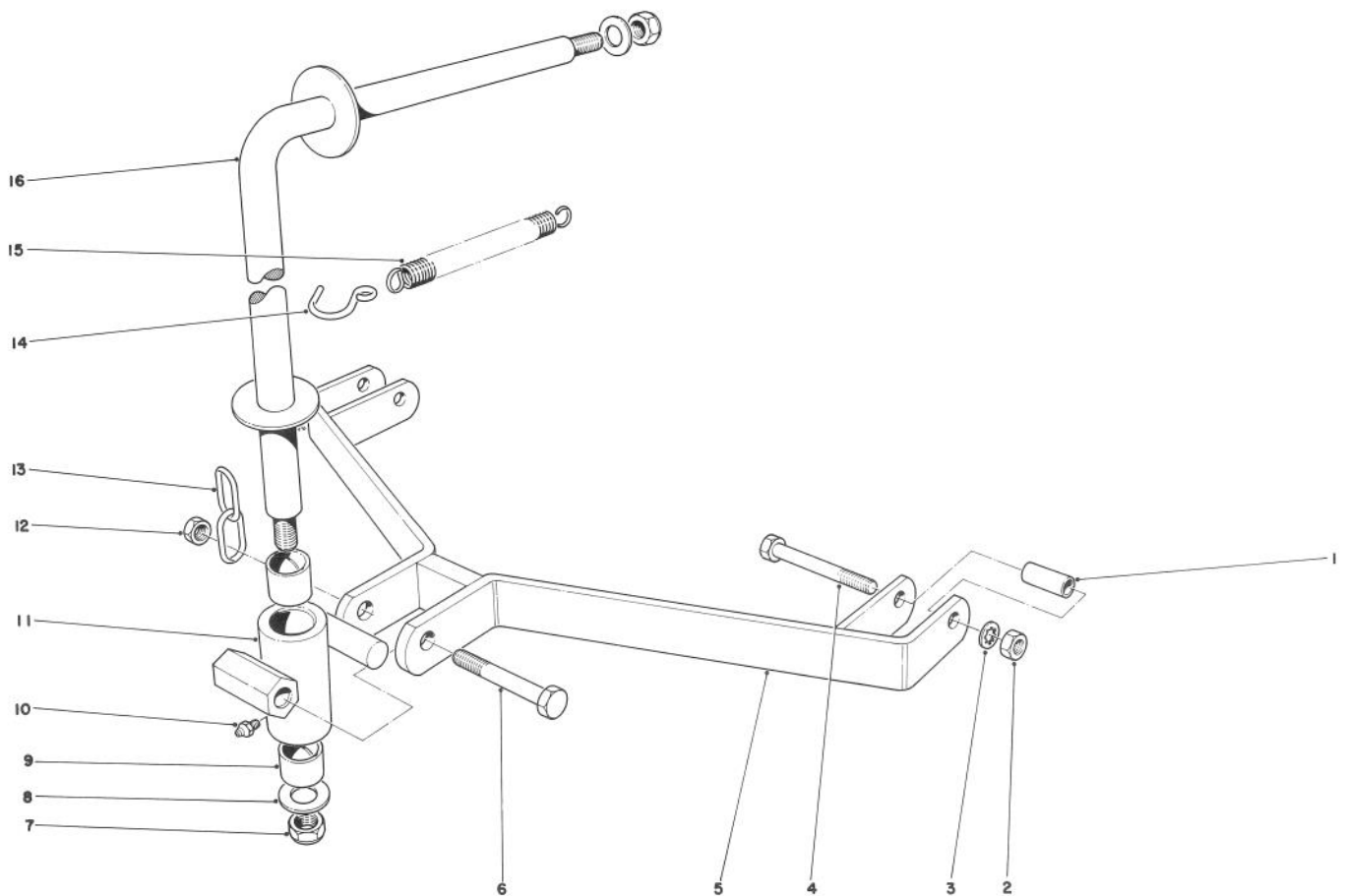
T-0729

HYDRAULIC CYLINDER ASSEMBLIES 10" NO. 22-7520 & 12" NO. 22-7530

Ref. No.	Part No.	Description	No. Used
1	22-8670	Tie Rod - 10"	4
*	22-8710	Tie Rod - 12"	4
2	3217-9	Nut - Hex	4
3	32153-3	Nut - Lock	1
4	22-8680	Assembly - Clevis	1
5	322-11	Screw - Cap Hex. Hd.	1
6	22-8660	Wiper - Ring, Seal	1
7	22-8610	Piston Rod - 10"	1
*	22-8690	Piston Rod - 12"	1
8	22-8630	Head	1
9	22-8650	Washer - Backup	1
10	22-8640	O-Ring	1
11	22-8550	O-Ring	2

Ref. No.	Part No.	Description	No. Used
12	22-8620	Barrel - 10"	1
*	22-8700	Barrel - 12"	1
13	22-8600	O-Ring	1
14	22-8590	Piston	1
15	22-8560	Nut - Lock	1
16	22-8570	O-Ring	1
17	22-8580	Washer - Backup	2
18	22-8540	Cap - Butt, End	1
19	281-2	Plug - Pipe	1
*	22-8720	Seal Kit (Incl. Ref. #6, 9-11, 13 & 16-17)	1

*Not Illustrated



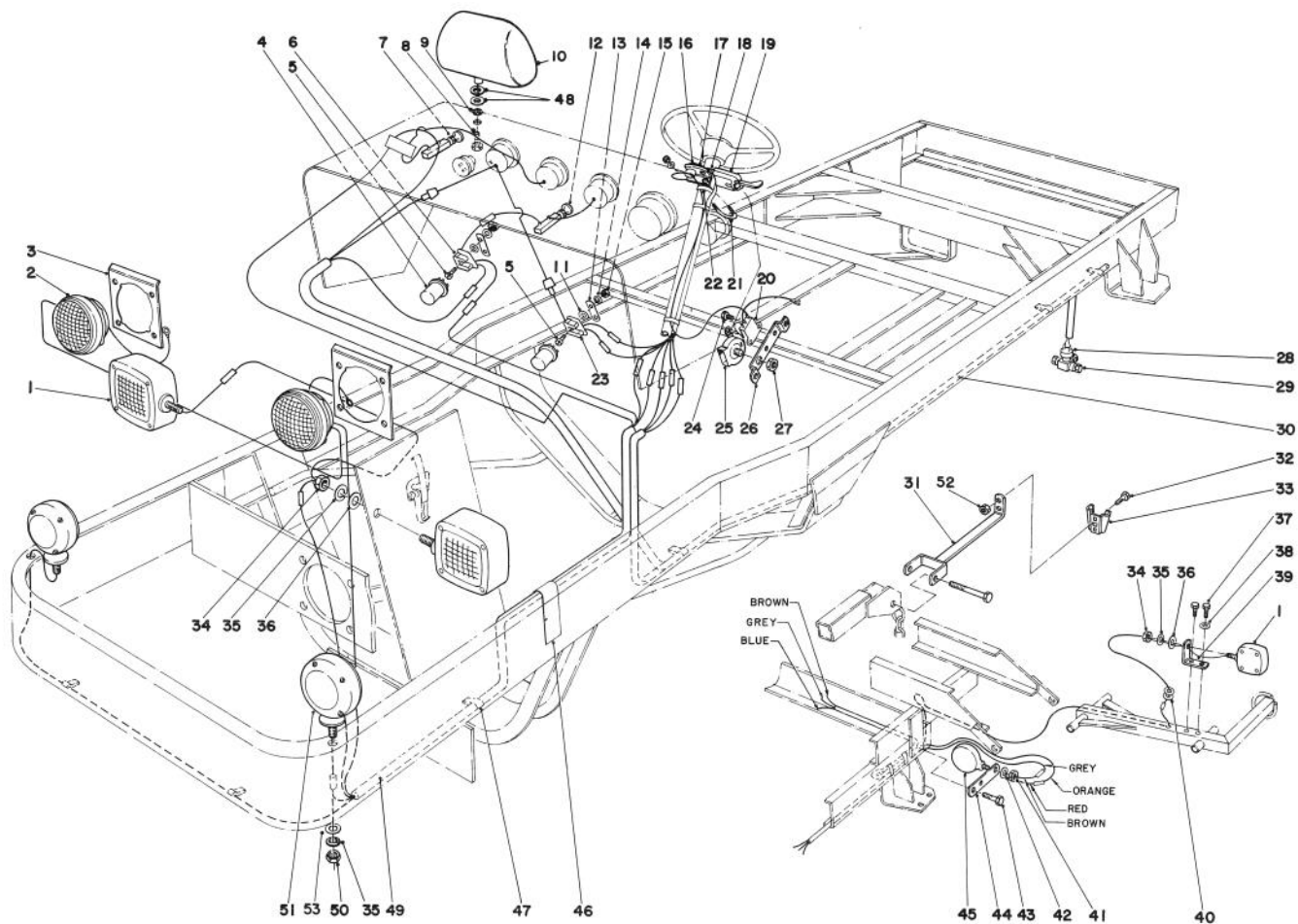
T-0793

DRAWBAR ASSEMBLY

Ref. No.	Part No.	Description	No. Used
1	5-1091	Spacer	14
2	3217-9	Nut - Hex.	14
3	3254-4	Washer - Lock	14
4	325-14	Screw - Cap Hex. Hd.	14
5	3-9280	Drawbar	7
6	325-17	Screw - Cap Hex. Hd.	7
7	32153-10	Nut - Lock	14
8	3-8448	Washer	14
9	3-0348	Bushing	14
10	302-5	Fitting - Grease	7

Ref. No.	Part No.	Description	No. Used
11	1-6559	Housing (Incl. Ref. #9 & 10)	7
12	32153-5	Nut - Lock	7
13	3-0293	Chain	4
14	3-2198	S-Hook	5
15	5-1706	Spring	7
16	28-8720	Bail - Lift	4
*	26-8310	Bail - Lift (1, 2 & 3 Position)	3

*Not Illustrated



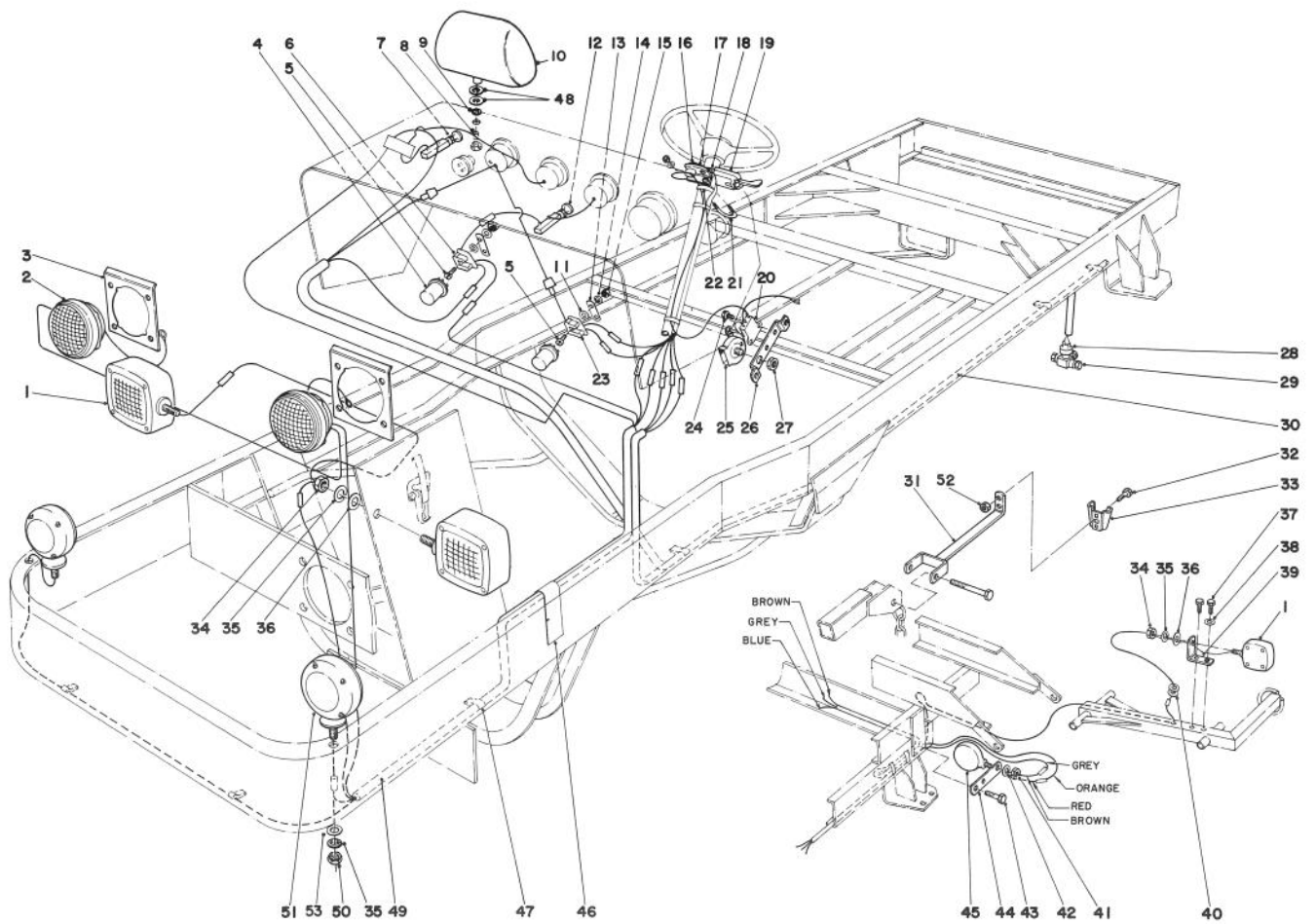
T-0794

LIGHT & ROAD KIT NO. 38-6310 (Optional)

Ref. No.	Part No.	Description	No. Used
1	38-6190	Signal Lamp (SMV) (Incl. Ref. #34-36)	4
2	7-1646	Headlight	2
3	18-1010	Holder - Headlight	2
4	218-456	Flasher	2
5	3252-2	Screw	2
6	38-2110	Assembly - Connector	1
7	218-213	Switch - Light	1
8	323-2	Screw - Cap Hex. Hd.	1
9	3253-29	Washer - Lock	1
10	60-9430	Mirror	1
11	19-2430	Washer - Plastic	2
12	38-2130	Switch - Flasher	1
13	18-4370	Bracket - Flasher, Conn.	2
14	3253-12	Washer - Lock	2
15	3217-26	Nut - Hex.	2
16	18-2830	Button - Horn	1
17	18-2480	Support - Lever, Throttle	1
18	2412-3	Clamp - Hose	1
19	60-9390	Controller - Signal	1
20	218-212	Relay - Horn	1
21	18-2130	Clamp	1
22	18-1310	Saddle	2
23	11-6440	Connector - Flasher	1
24	32104-77	Screw - Self Tapping	2
25	19-6050	Horn	1
26	18-2820	Mount - Horn	1
27	32112-2	Nut	1

Ref. No.	Part No.	Description	No. Used
28	218-242	Switch - Stoplight	1
29	218-243	Tee - Brake Line	1
30	38-2150	Wire Harness	1
31	38-6170	Support - Slow Vehicle	1
32	322-3	Screw - Cap Hex. Hd.	2
33	38-6200	Socket - Slow Vehicle	1
34	3219-5	Nut	4
35	3253-7	Washer - Lock	6
36	3256-6	Washer - Flat	4
37	32144-11	Screw - Self Tapping	4
38	3256-3	Washer - Flat	2
39	18-8860	Bracket - Rear	2
40	237-73	Grommet	2
41	3217-11	Nut - Hex.	2
42	3253-8	Washer - Lock	2
43	327-4	Screw - Cap Hex. Hd.	2
44	3-3402	Bracket	4
45	60-9380	Light - Tail, Stop & Turn	2
46	18-8570	Clip - Wire Harness	1
47	212-93	Clip - Wire	13
48	3256-35	Washer - Flat	2
49	38-2140	Wire Harness	1
50	3219-5	Nut	2
51	11-6250	Front Signal Light (Incl. Ref. #35, 50 & 53)	2
52	3296-47	Nut - Lock	2
53	3256-5	Washer - Flat	2
	62-4510	Anchor - Wire Harness	6

*Not Illustrated



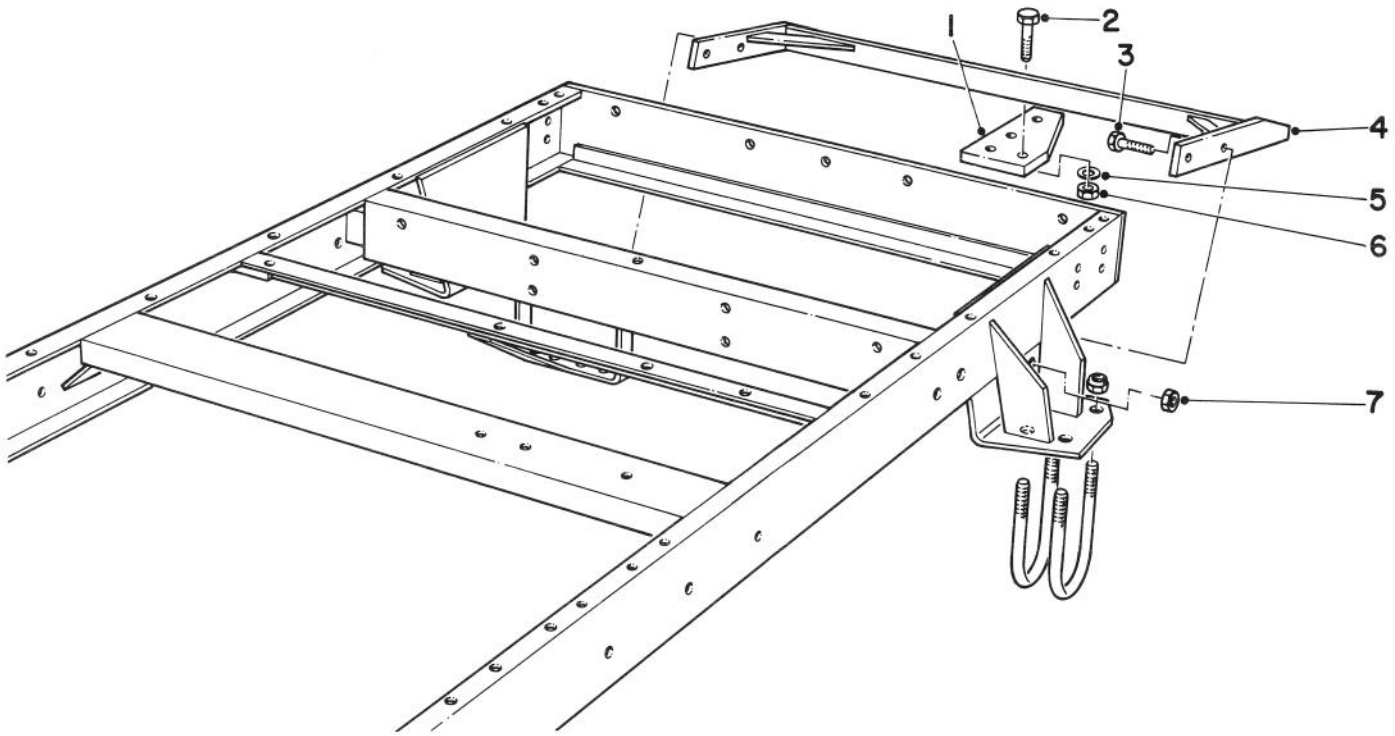
T-0794

LIGHT & ROAD KIT NO. 38-6310 (Optional) (Continued)

Ref. No.	Part No.	Description	No. Used
1	3290-385	Nut - Lock	2
2	3219-3	Nut	2
3	60-9460	Washer	4
4	60-9450	Bushing - Rubber	4
5	323-7	Screw - Cap Hex. Hd.	2
6	60-9340	Bracket - Mount, Stabilizer	1
7	32128-21	Nut - Lock	2

Ref. No.	Part No.	Description	No. Used
8	60-9360	Stabilizer - Steering	1
9	32128-13	Nut - Lock	4
10	60-9350	U-Bolt - Stabilizer	2
11	60-9370	Bracket	1
12		Tie Rod	1
*	60-9440	Kit - Mount, Stabilizer	1

*Not Illustrated

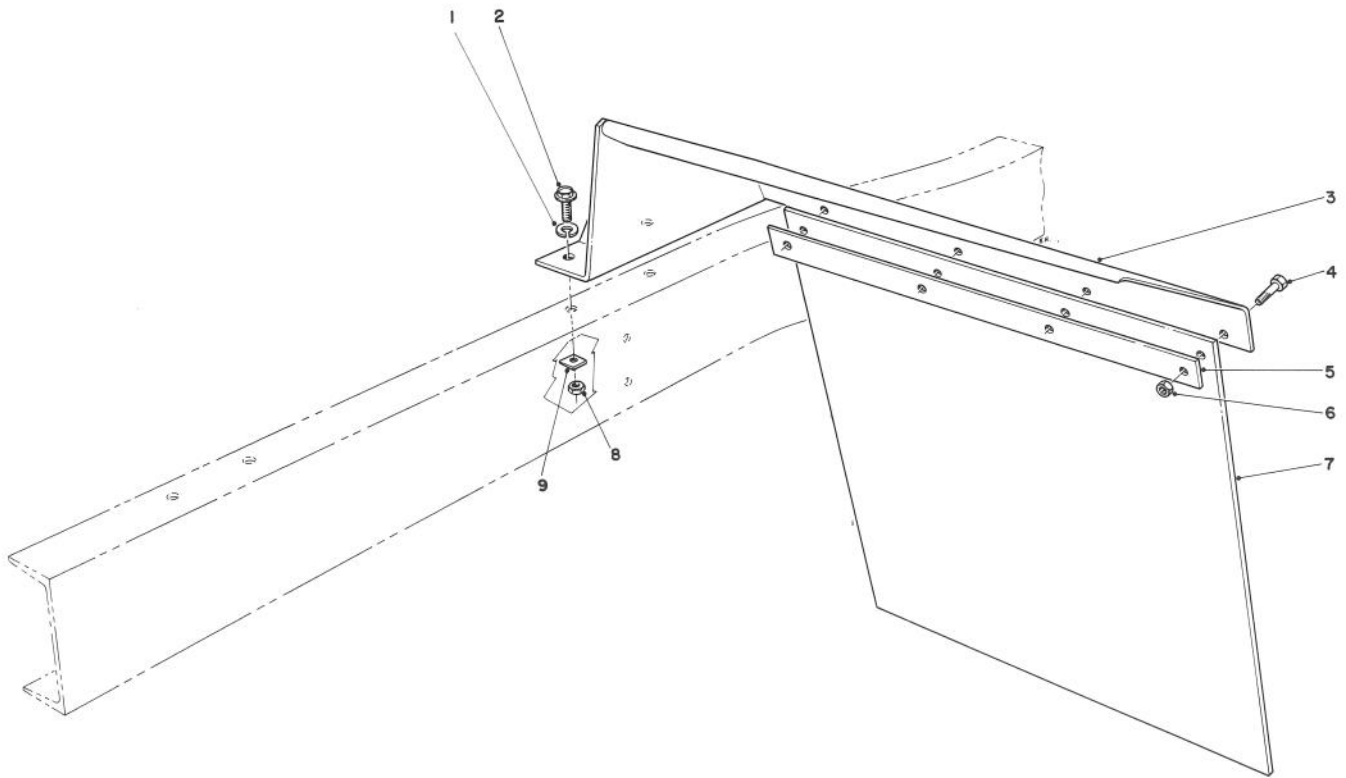


T-0798

DRAWBAR KIT (Optional)

Ref. No.	Part No.	Description	No. Used
1	3-3218	Hitch	1
2	328-2	Screw - Cap Hex. Hd.	2
3	328-24	Screw - Cap Hex. Hd.	4
4	26-9250	Drawbar	1

Ref. No.	Part No.	Description	No. Used
5	3253-9	Washer - Lock	2
6	3217-12	Nut - Hex.	2
7	3296-51	Nut - Lock	4



T-0799

FRONT FENDER KIT MODEL NO. 70196 (Optional)

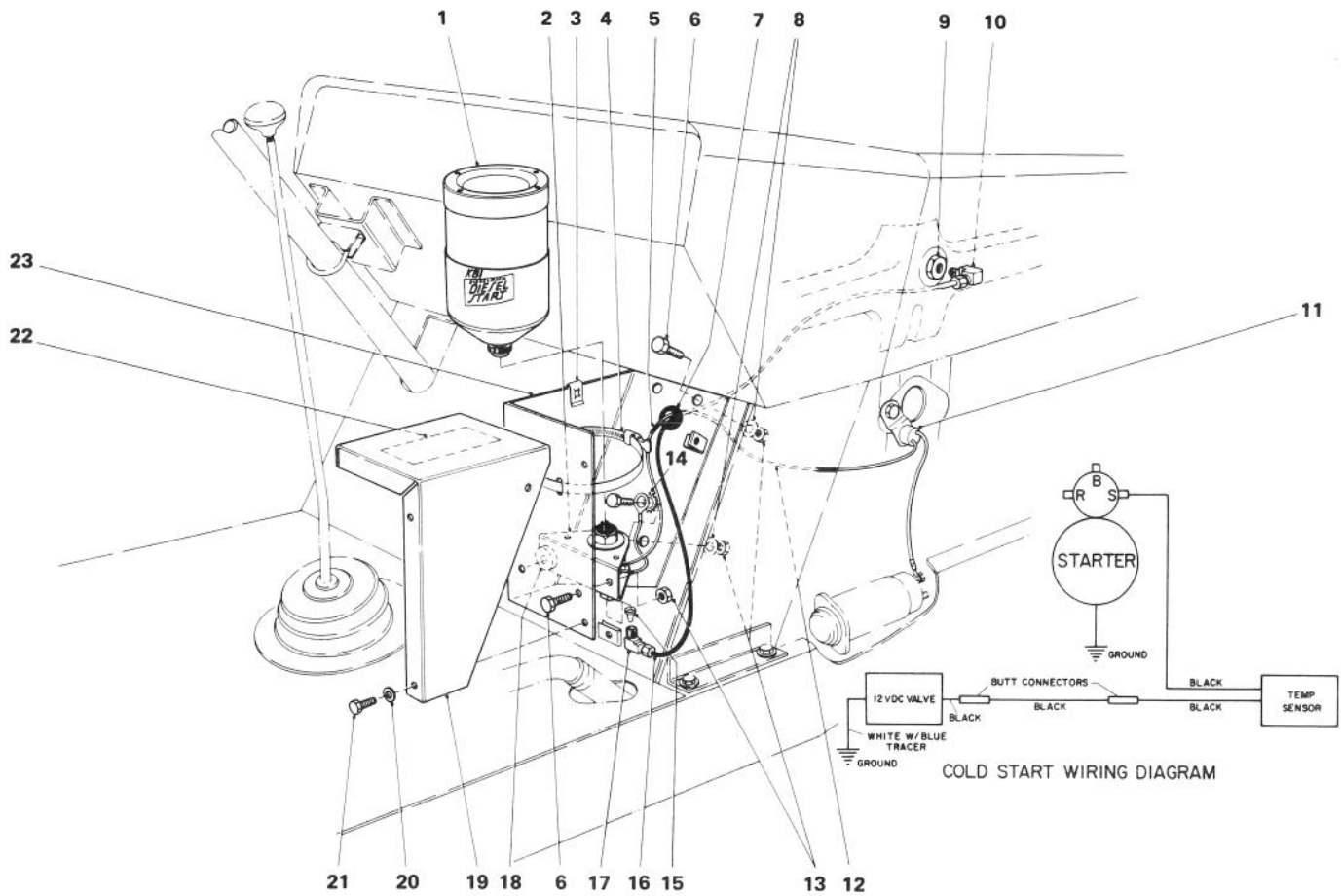
Ref. No.	Part No.	Description	No. Used
‡1	3253-7	Washer - Lock	2
2	325-5	Screw - Cap Hex. Hd.	4
3	10-2780	Fender L.H.	1
*	10-2770	Fender R.H.	1
4	323-6	Screw - Cap Hex. Hd.	8

Ref. No.	Part No.	Description	No. Used
5	10-2820	Flap - Backing	2
6	32153-2	Nut - Lock	8
7	10-2810	Flap	2
†8	32153-5	Nut - Lock	2
†9	3290-216	Washer - Bevel	2

*Not Illustrated

†Right Fender Only

‡Left Fender Only



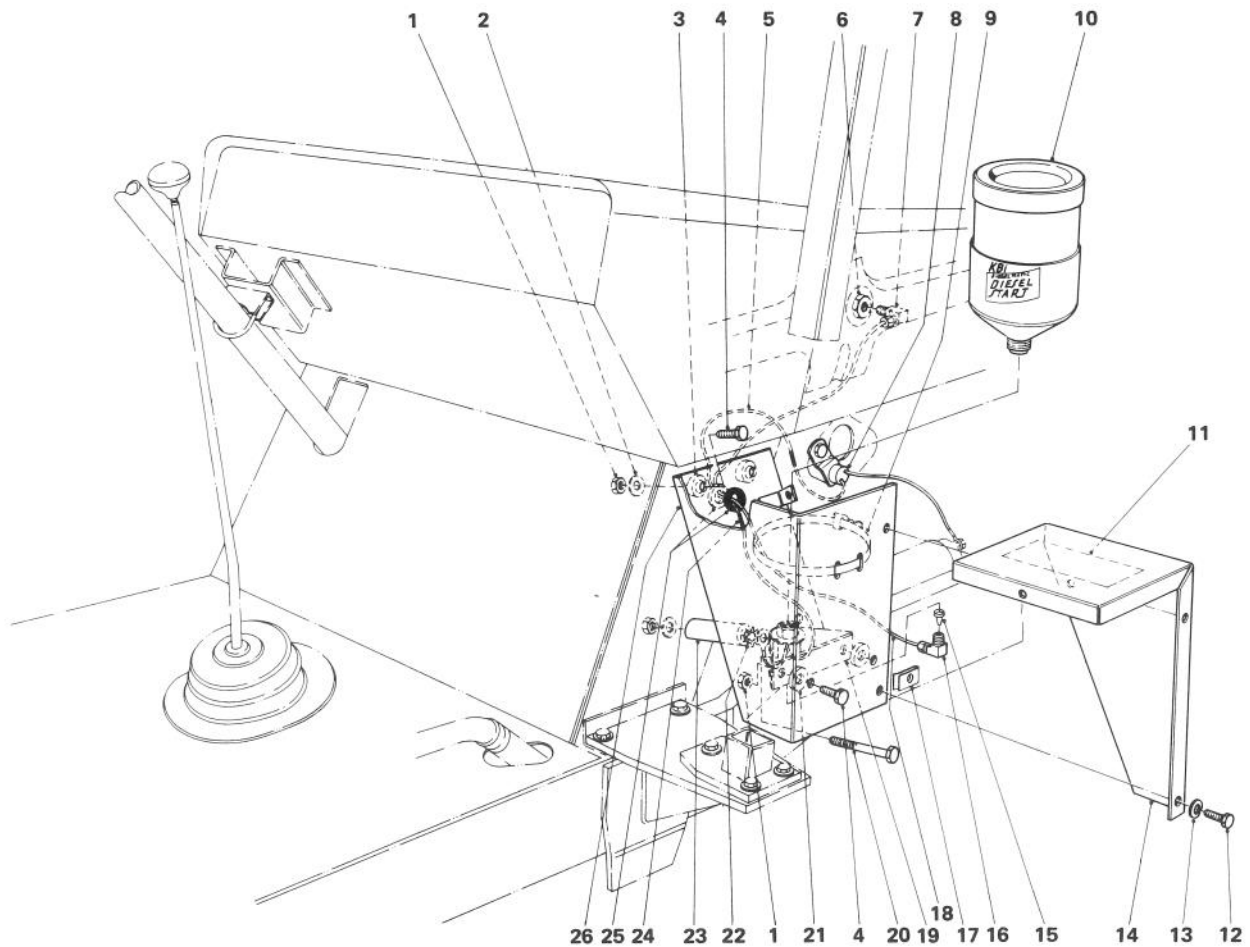
T-0817

COLD START KIT NO. 44-0400 (Optional) For Tractor Without Cab

Ref. No.	Part No.	Description	No. Used
1	11-1749	Canister - Fluid , Starting	1
2	43-2610	Assembly - Valve, 12 V.D.C. (Incl. Ref. #15 & 17)	1
3	3290-192	Nut - Tinnerman	3
4	43-2630	Clamp - Fuel Canister	1
5	218-250	Connector - Butt	2
6	321-5	Screw - Cap Hex. Hd.	6
7	237-62	Grommet	1
8	3256-1	Washer - Flat	4
9	44-0170	Plug	1
10	43-7700	Nozzle - Atomizer, Manifold	1
11	43-2620	Switch - Engine Temp.	1
12	43-2670	Wire - Jumper, Valve to Temp. Sensor	1
13	3296-42	Nut - Lock	6

Ref. No.	Part No.	Description	No. Used
14	3255-7	Washer - Lock, Ext. Tooth	1
15	43-7740	Filter	1
16	43-2640	Tubing - Starting Fuel	1
17	43-7610	Assembly - Fitting (Inc. Ref. #15)	1
18	7-4318	Spacer	2
19	43-6920	Cover	1
20	3253-3	Washer - Lock	4
21	321-2	Screw - Cap Hex. Hd.	4
22	43-7780	Decal - Kit, Cold Start	1
23	43-6930	Plate - Mounting	1
*	43-2680	Kit - Cold Start (Incl. Ref. #1, 2, 4, 10, 11, 16 & 22)	1
*	44-0400	Kit - Cold Start (Complete)	1

*Not Illustrated

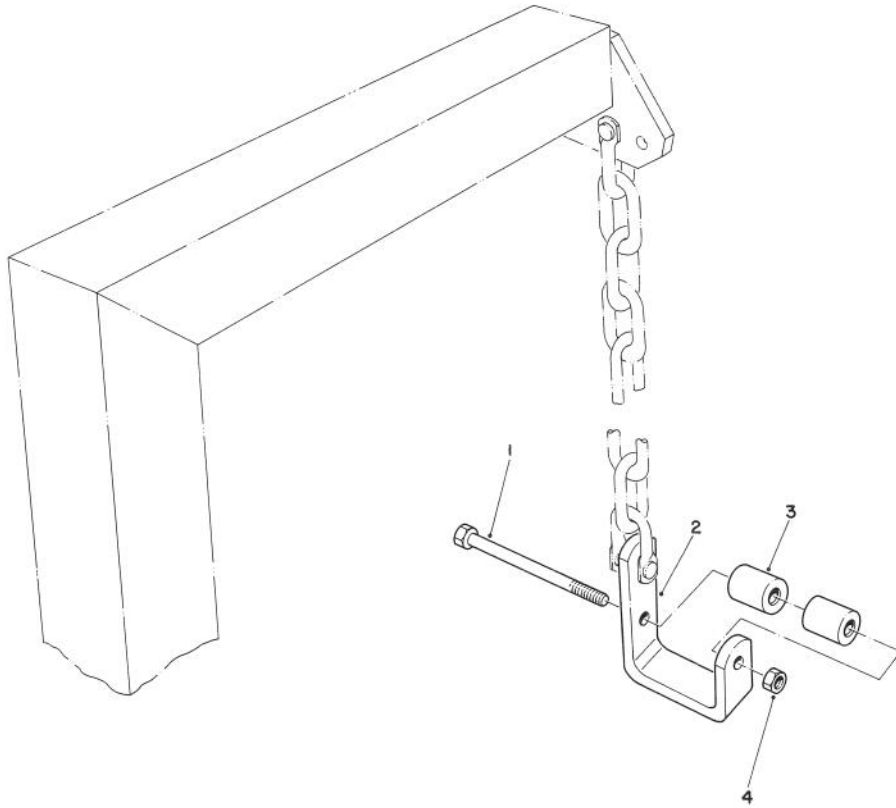


T-0818

COLD START KIT NO. 44-0400 (Optional) (Continued) For Tractor With Cab

Ref. No.	Part No.	Description	No. Used	Ref. No.	Part No.	Description	No. Used
1	3296-42	Nut - Lock	5	16	43-7610	Assembly - Fjtting (Incl. Ref. #15)	1
2	3256-1	Washer - Flat	3	17	3290-192	Nut - Tinnerman	3
3	44-0190	Spacer - Top	2	18	43-2640	Tubing - Starting Fuel	1
4	321-5	Screw - Cap Hex. Hd.	4	19	43-2610	Assembly - Valve, 12 V.D.C. (Incl. Ref. #15 & 16)	1
5	43-2670	Wire - Jumper Valve to Temp. Sensor	1	20	321-19	Screw - Cap Hex. Hd.	1
6	44-0170	Plug	1	21	7-4318	Spacer	2
7	43-7700	Nozzle - Atomizer, Manifold	1	22	3255-7	Washer - Lock, Ext. Tooth	1
8	43-2620	Switch - Engine Temp.	1	23	44-0180	Spacer - Bottom	1
9	43-2630	Clamp - Fuel Canister	1	24	218-250	Connector - Butt	2
10	11-1749	Canister - Fluid, Starting	1	25	237-62	Grommet	2
11	43-7780	Decal - Kit, Cold Start	1	26	43-6930	Plate - Plate	1
12	321-2	Screw - Cap Hex. Hd.	4	*	43-2680	Kit - Cold Start (Incl. Ref. #7-11, 18 & 19)	1
13	3253-3	Washer - Lock	4	*	44-0400	Kit - Cold Start (Complete)	1
14	43-6920	Cover	1				
15	43-7740	Filter	1				

*Not Illustrated



C-0800

**18" WHEEL, REELMASTER & SPARTAN MOWER
CONVERSION KIT NO. 51-3080 (Optional)
For Cutting Units No. 6 & 7 Only**

Ref. No.	Part No.	Description	No. Used
1	323-16	Screw - Cap Hex. Hd.	2
2	51-3180	Bracket - Lift	2

Ref. No.	Part No.	Description	No. Used
3	51-3170	Spacer	4
4	3296-44	Nut - Lock	2

PRODUCT CHANGES

In an effort to make improvements available to TORO owners as quickly as possible, minor changes are incorporated into Toro's products from time to time that do not become immediately shown in the Parts Catalog. If such a change has been made in your unit, which is not reflected in your manual, see your TORO Distributor or his Authorized TORO Service Dealer for information and part numbers.

IDENTIFICATION AND ORDERING

MODEL AND SERIAL NUMBERS

The Parkmaster 7 Diesel has two identification numbers; a model number and a serial number. The two numbers are stamped on a plate which is located on the right side of the toe board. In any correspondence concerning the Parkmaster 7 Diesel, supply model and serial numbers to assure that correct information and replacement parts are obtained.

To order replacement parts from an Authorized TORO Service Dealer, supply the following information:

1. Model and serial number of the Parkmaster 7 Diesel.
2. Part number, description, and the quantity of part(s) desired.

NOTE: Do not order by reference number if a parts catalog is being used; use the PART NUMBER.

INDEX

Description	Page	Description	Page
Hood Assembly	1	Rear Tires and Wheels 7.50 x 16	
Dash Assembly	2	Field Installed Kit No. 70230	31
Electrical Schematic		Rear Tires and Wheels 8.00 x 16	
(12 Volt Negative Ground)	3	Field Installed Kit 70200	32
Radiator and Fuel Tank Assembly	4-5	Steering Assembly	33
Toe Board and Battery Assembly	6	Steering Gear No. 39-7330	34-35
Brake, Clutch, Throttle Controls	7-8	Seat Assembly (60-9070) and Suspension	
Frame Assembly	9	Assembly (46-3430)	36
Front Axle Assembly	10	Valve Cover and Shield Assembly	37
Front Wheel and Tire 9.5 L-14	11	Valve Bank and Hoses	38
Engine Mounting Components	12	Hydraulic Valve Assembly No. 44-7701	39
Engine Assembly	13-14	Drawbar Assembly No. 1, 2 and 3 Position	40
Pivot Shaft and Arm Assembly	15	Main Frame Assembly Front	41
Engine Exhaust Assembly	16	Main Frame Assembly - Front Center	42-43
Starter Motor Assembly No. 49-8050	17-18	Main Frame Assembly - Rear	44-45
62 Amp. Alternator Assembly No. 60-9660 ...	19	Hydraulic Cylinders	
Hydraulic Pump and Reservoir	20	10" No. 22-7520 & 12" No. 22-7530	46
Hydraulic Pump Assembly No. 38-9630	21	Drawbar Assembly	47
Clutch Assembly	22	Light & Road Kit No. 38-6310 (Optional) ...	48-49
Transmission Assembly No. 44-1160	23-24	Drawbar Kit (Optional)	50
Transmission Cover	25	Front Fender Kit No. 70196 (Optional)	51
Parking Brake Assembly	26	Cold Start Kit Model No. 44-0400	52-53
Rear Axle and Drive Line Assembly	27-28	18" Wheel, Reelmaster & Spartan Mower	
Rear Brake Assembly	29-30	Conversion Kit No. 51-3080 (Optional)	54

