



Power Max 828LXE Snowthrower

Model No. 38631 - 270000001 and up.

Parts Catalog

Ordering Replacement Parts

To order replacement parts, please supply the part number, the quantity, and the description of each part desired.

Understanding Reference Numbers

Each identified part in an illustration has a reference number. The reference number for a part also appears in the parts list, along with other information about the part.

This catalog uses two special reference number formats, one to indicate parts in a service assembly and another to indicate the quantity of a given part in an illustration.

Service Assembly Reference Numbers

Parts in service assemblies have reference numbers in the form a:b. The a represents the reference number of the entire service assembly and the b represents a sequential number unique to each part within the service assembly.

For example, a wheel assembly might be identified by reference number 6, the tire by 6:1, the valve by 6:2, and the wheel by 6:3. When you order the assembly identified by reference number 6, you receive all parts identified by reference numbers 6:1, 6:2, and 6:3. However, you may also order any part individually. Reference numbers of this type appear in illustrations and in part lists.

Reference Numbers Indicating Quantity

In an illustration, if a reference number indicates more than one part, the reference number has the form nX y. The n represents the quantity of the part, the X is the multiplication symbol, and the y represents the reference number.

For example, in an illustration, the reference number 2X 37 means that two of the parts identified by reference number 37 are indicated.

Contents

Description	Page	Description	Page
Auger and Housing Assembly 3	Engine Assembly No. 1 Tecumseh LH318SA-156564H 14
28 Inch Auger Gearcase Assembly No. 108-7329 4	Engine Assembly No. 2 Tecumseh LH318SA-156564H 16
Chute Assembly 5	Carburetor Assembly Tecumseh LH318SA-156564H 18
Frame Assembly 6	Electric Starter Assembly Tecumseh LH318SA-156564H 19
Handle and Control Assembly 8	Recoil Starter Assembly Tecumseh LH318SA-156564H 20
Handle Assembly 9	Recoil Starter Assembly (Optional) Tecumseh LH318SA-156564H 21
Lever Chute Control Assembly 10	Attachments and Accessories List 22
Engine Assembly and Belt Assembly 11		
Wheel Clutch Assembly 12		
Wheel Clutch Sprocket Assembly 13		

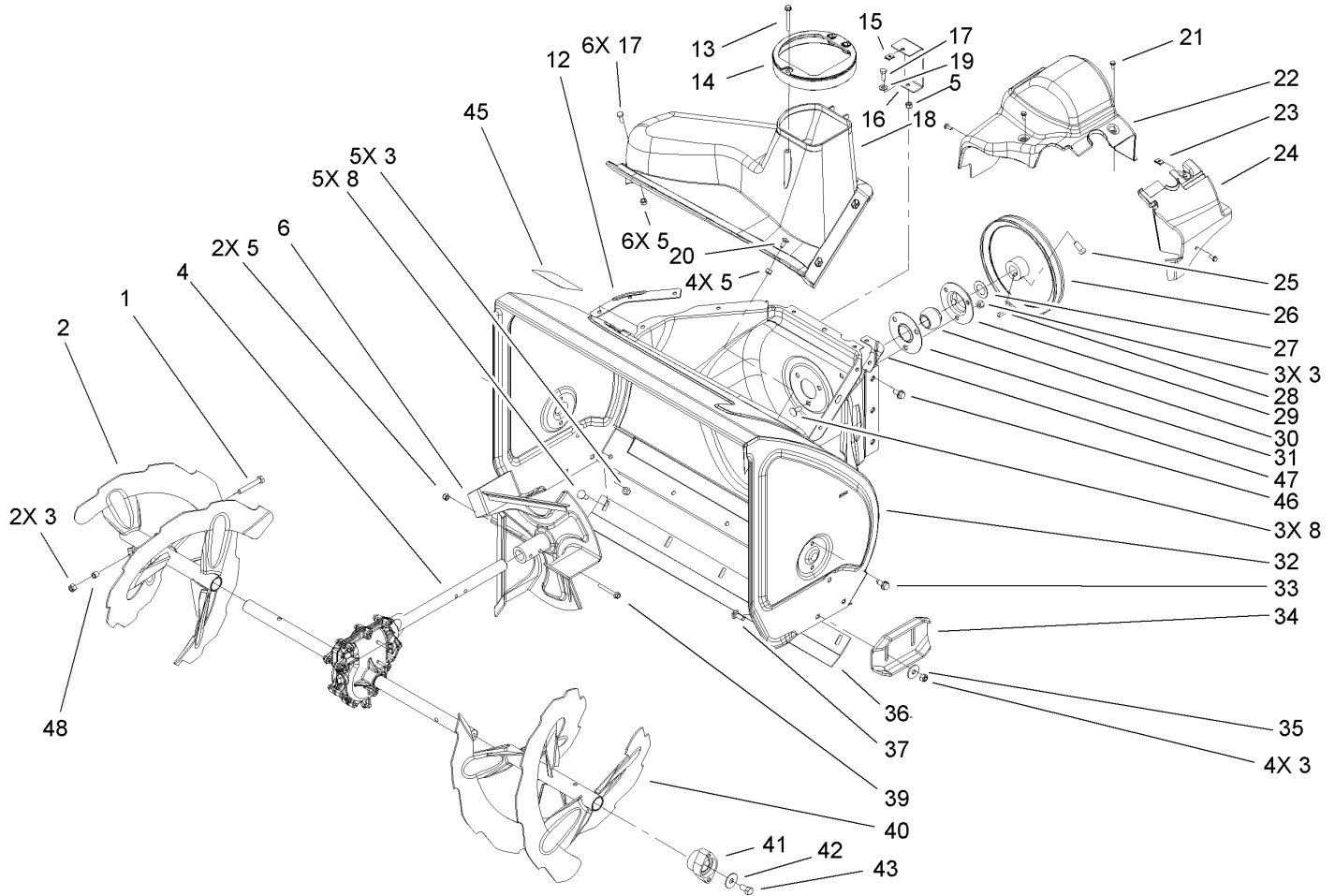
Part Description Abbreviations

Part descriptions in this catalog may include the following abbreviations.

AR. as required	HYD. hydraulic
ASM. assembly	LH. left hand
BBC. blade brake clutch	NI. nylon insert
CARR. carriage	NPTF. national pipe thread fine
DEG. degrees	PFH. phillips flat head
EXT. external	PPH. phillips pan head
FH. flat head	PPHTF. phillips pan head thread forming
GA. gauge	PRH. phillips round head
HD. heavy-duty	PTH. phillips truss head
HF. hex flange	PTO. power-take-off
HH. hex head	RH. right hand
HHF. hex head flange	ROPS. roll-over protection system
HHFTF. hex head flange thread forming	SFH. slotted fillister head
HJ. hex jam	SHH. slotted hex head
HLH. hex lag head	SHWH. slotted hex washer head
HOC. height-of-cut	SPH. slotted pan head
HSBH. hex socket button head	SQH. square head
HSFH. hex socket flat head	SRH. slotted round head
HSH. hex socket head	STD. standard
HWH. hex washer head	TAP. self tapping
HWHTF. hex washer head thread forming	TTH. torx truss head

Footnotes

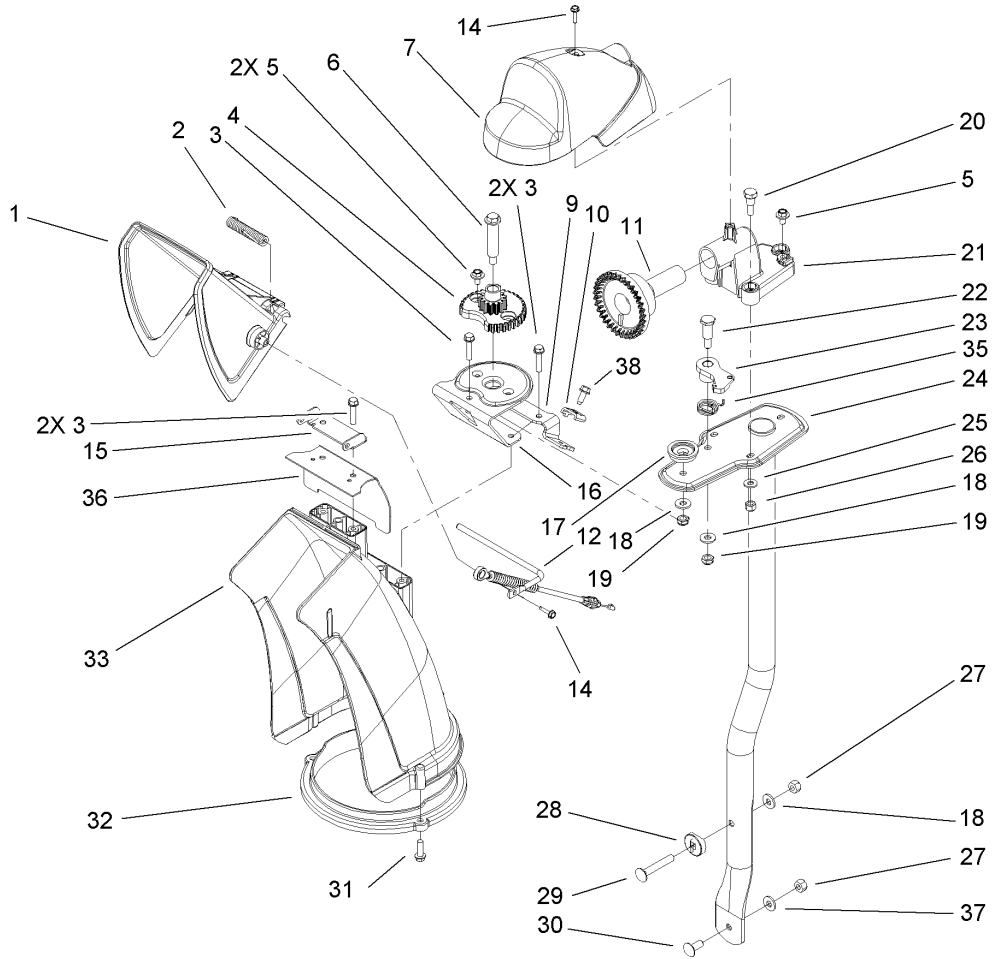
- ❶ Not illustrated
- ❷ Not serviced separately
- ❸ Obtain from your local Tecumseh dealer



Auger and Housing Assembly

Ref	Part No.	Qty.	Description
1	322-11	2	Screw-HH
2	106-7291-03	1	Auger-RH
3	3296-29	14	Nut-Lock, NI
4	108-7329	1	28 Inch Auger Gearcase ASM
5	3296-42	13	Nut-Lock, NI
6	106-4576-03	1	Impeller ASM
8	3230-23	8	Screw-CARR
12	107-1017-03	1	Seal-Flange, Cover
13	107-3003	1	Screw-Plastite
14	107-3006	1	Guide-Chute
15	107-1013	1	Nut-Speed, U-Type
16	107-1014-03	1	Bracket-Cover, Clip Nut
17	321-4	7	Screw-HH
18	108-0017	1	Cover
19	3256-22	1	Washer-Flat
20	3229-1	4	Screw-CARR
21	32144-112	4	Screw-HWH
22	107-1001	1	Cover-Belt
23	701493	1	Nut-Speed
24	107-1016	1	Cover-Extension, Belt
25	3242-4	2	Screw-Set, SQH
26	62-1300	1	Pulley-Impeller
27	252-80	1	Washer-Thrust
28	3257-23	1	Key-Woodruff

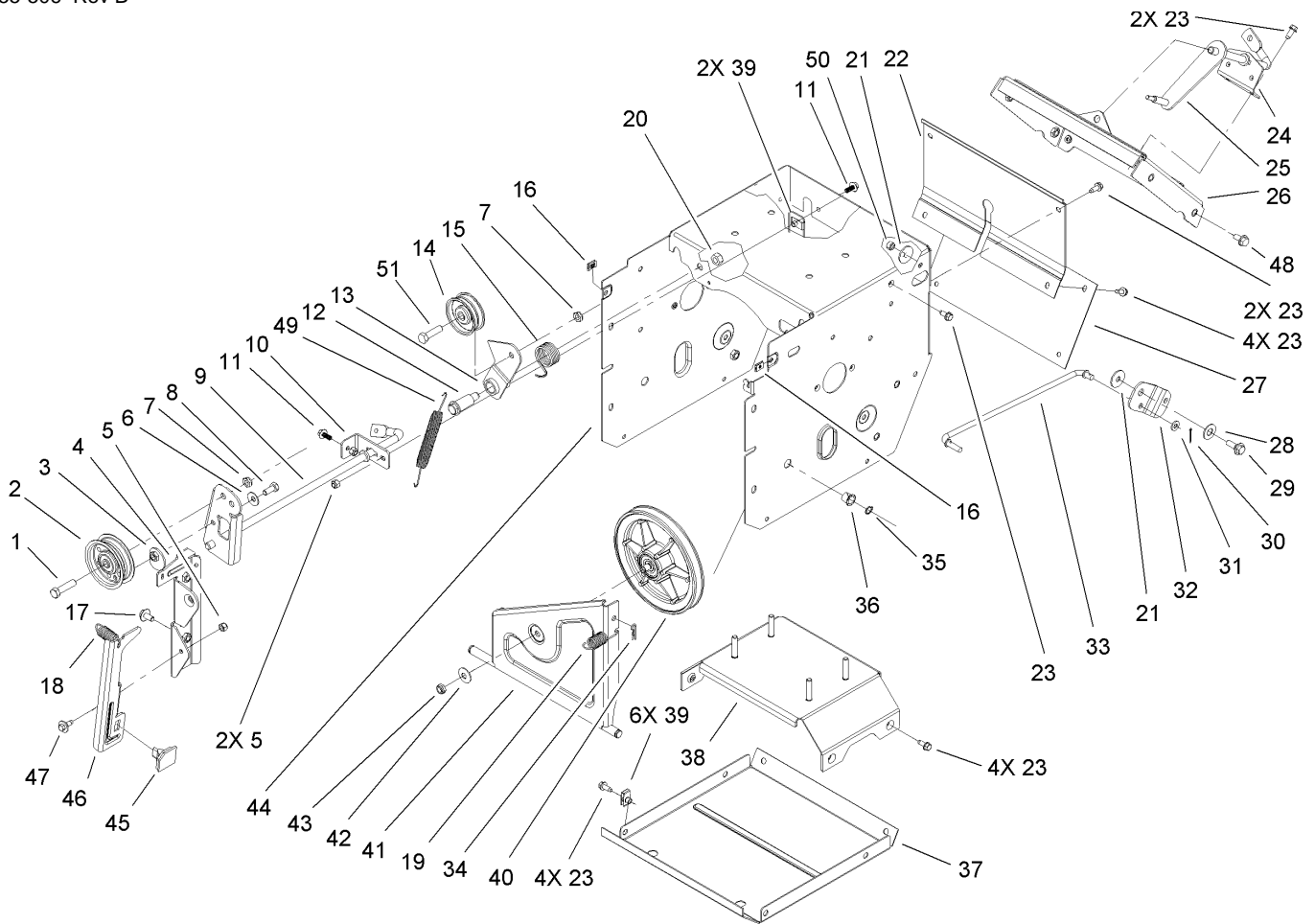
Ref	Part No.	Qty.	Description
29	26-6110	1	Flange-Cup, Bearing
30	63-3450	1	Bearing-Ball
31	26-6120	1	Flange-Cup, Bearing
32	107-3823	1	Housing-Auger, 28 Inch
33	32144-70	4	Screw-HWHTF
34	106-4588-01	2	Skid
35	52-2861	4	Washer
36	106-4573-01	1	Scraper-Fixed
37	3230-16	4	Screw-CARR
39	321-44	2	Screw-HHF
40	106-7301-03	1	LH Auger ASM
41	106-4570	2	Auger-Bearing
42	3-0750	2	Washer
43	323-4	2	Screw-HH
45	53-7670	1	Decal-Warning, Auger
46	32144-14	6	Screw-HWH
47	108-0039-03	1	Seal
48	1-633545	2	Spacer



Chute Assembly

Ref	Part No.	Qty.	Description
1	112-6606	1	Deflector-Chute
2	106-4594	1	Spring-Torsion
3	46-8092	5	Screw-Plastite
4	106-4472	1	Gear-Chute
5	46-6810	3	Screw And Washer ASM
6	100-9880	1	Bolt-Shoulder
7	106-4585	1	Cover-Gear, Chute
9	106-7296	1	Bracket-Cable, Clamp
10	106-7297	1	Clamp-Cable
11	106-4471	1	Gear-Face
12	107-1021	1	Rod-Deflector
14	98-1375	2	Screw-HWH
15	106-7266	1	Bracket-Deflector
16	106-4582-03	1	Bracket-Support, Chute
17	106-4422	1	Spacer-Chute
18	3256-2	3	Washer-Flat
19	3296-47	2	Nut-Lock, NI
20	106-7276	3	Screw-Shoulder
21	106-7257	1	Mount-Gear, Face
22	63-2650	1	Screw-Shoulder
23	106-4476	1	Latch-Chute
24	106-7253-03	1	Tube-Support
25	3256-22	3	Washer-Flat
26	3296-42	3	Nut-Lock, NI

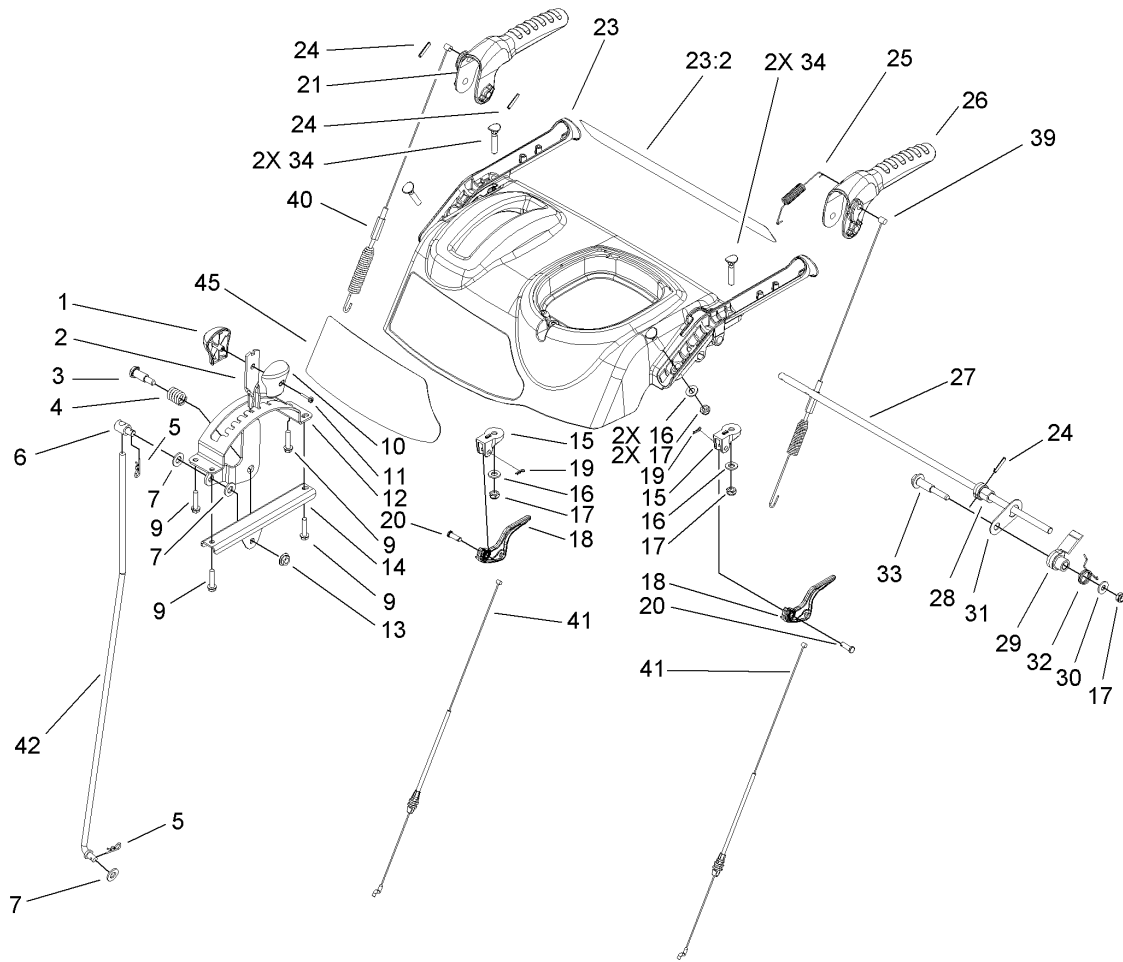
Ref	Part No.	Qty.	Description
27	3296-29	2	Nut-Lock, NI
28	106-7260	1	Washer-Curved
29	3230-5	1	Screw-CARR
30	3230-23	1	Screw-CARR
31	46-8091	3	Screw-HWH
32	105-9991	1	Ring-Chute
33	106-4440	1	Chute-Discharge
35	108-7315	1	Spring-Torsion
36	108-5052	1	Seal-Chute
37	3290-456	1	Washer-Belleville
38	32144-10	1	Screw-HWH



Frame Assembly

Ref	Part No.	Qty.	Description
1	323-8	1	Screw-HH
2	92-7104	1	Pulley-Idler
3	107-1047	1	Nut
4	107-1039	1	Bracket-Idler, Impeller
5	3296-42	3	Nut-Lock, NI
6	3290-456	1	Washer-Belleville
7	3296-59	2	Nut-Lock, NI
8	322-3	1	Screw-HH
9	107-3838-03	1	Impeller Clutch ASM
10	106-7341	1	Bracket-Rear, Clutch
11	99-6810	2	Screw-HH
12	108-5056	1	Bolt-Shoulder
13	108-5058	1	Arm-Idler, Traction
14	3-4244	1	Pulley-Idler
15	108-7332	1	Spring-Torsion
16	107-1013	2	Nut-Speed, U-Type
17	3234-7	2	Screw-HHF
18	107-1045	1	Spring-Extension
19	107-1003	1	Spring-Extension
20	3296-76	1	Nut-Lock, NI
21	5-4460	2	Washer-Pivot
22	108-0022-01	1	Cover-Upper
23	32144-10	17	Screw-HWH
24	108-0036	1	Bracket-Rod, Shift

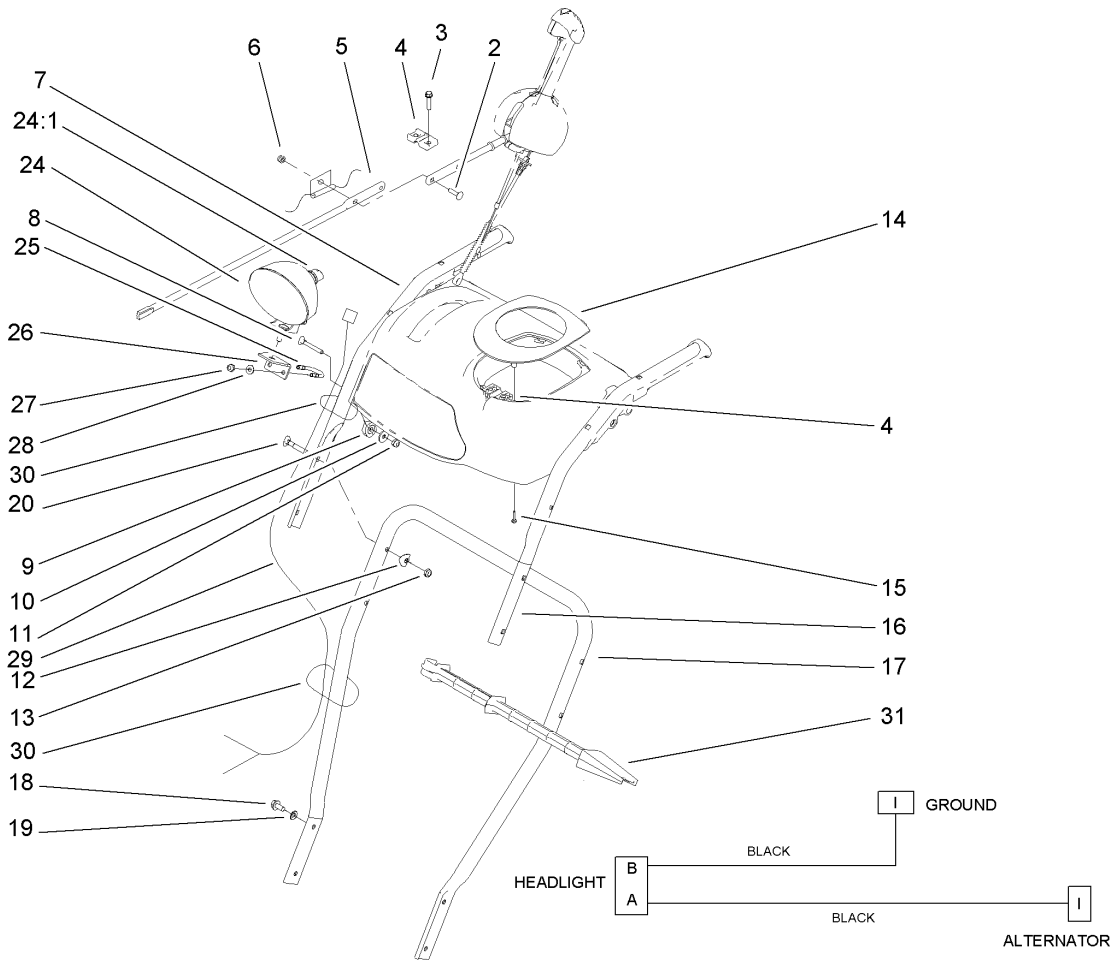
Ref	Part No.	Qty.	Description
25	106-7268	1	Lever-Control, Traction
26	108-0026-01	1	Shift Plate ASM
27	106-7345-01	1	Cover-Lower
28	25-5640	1	Washer
29	27-0410	1	Screw-Shoulder
30	3272-4	1	Pin-Cotter
31	3256-23	1	Washer-Flat
32	107-1011	1	Bellcrank-Drive
33	106-4467	1	Link-Control, Speed
34	3290-307	1	Pin-Hair
35	32151-61	2	Ring-Retaining
36	256-257	2	Bushing-Nyliner
37	106-7330-01	1	Pan-Bottom
38	106-7315	1	Brace Frame ASM
39	107069	8	Clip
40	108-0031	1	Traction Pulley ASM
41	108-7307	1	Friction Wheel Bracket ASM
42	3290-340	1	Washer-Belleville
43	3296-5	1	Nut-Lock
44	108-0019-01	1	Traction Frame ASM
45	66-8060	1	Pad-Brake
46	107-1000	1	Arm-Brake
47	92-9698	1	Screw-Shoulder
48	32144-14	4	Screw-HWH



Handle and Control Assembly

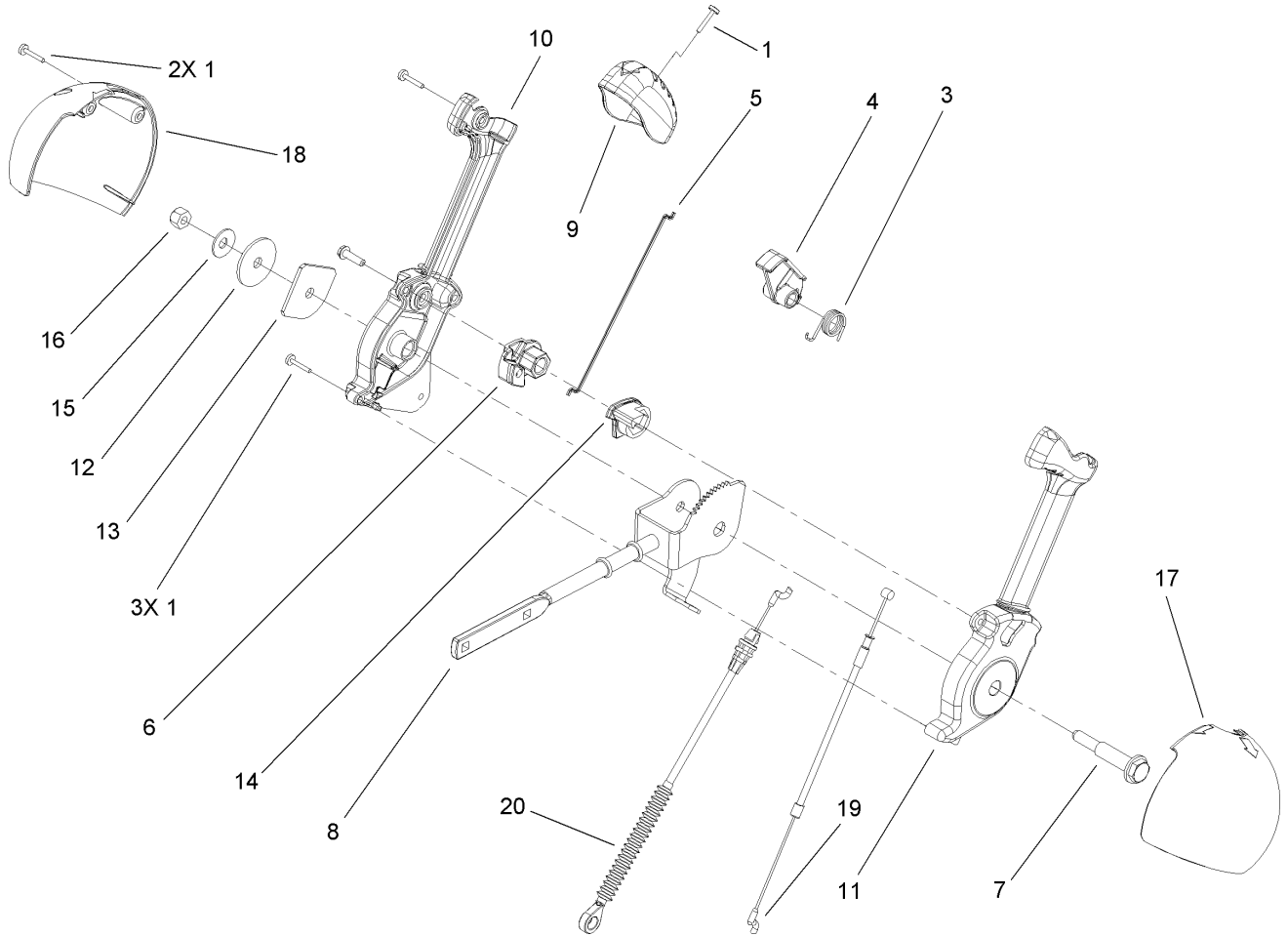
Ref	Part No.	Qty.	Description
1	106-4423	1	Knob-Shift, RH
2	106-7278-03	1	Selector-Speed
3	63-2650	1	Screw-Shoulder
4	108-7313	1	Spring-Compression
5	3290-307	2	Pin-Hair
6	110-3446	1	Trunion-Rod
7	3256-24	3	Washer-Flat
9	46-8092	4	Screw-Plastite
10	105-9999	1	Knob-Shift, LH
11	94-4496	1	Screw-PPH
12	106-7277-03	1	Guide-Selector, Speed
13	32128-13	1	Nut-HF
14	106-7279-03	1	Mount-Selector, Speed
15	105-9980	2	Mount-Clutch, Lever
16	3256-70	4	Washer-Flat
17	3296-72	5	Nut-Lock, NI
18	106-4505	2	Lever-Clutch
19	108-2992	2	Pin-Hair
20	1-808265	2	Pin-Clevis
21	106-4413	1	Lever-Auger
23	112-6632	1	Control Panel ASM
23:2	112-6622	1	Decal-Control Panel, Back
24	32121-125	3	Pin-Spring
25	107-3001	1	Spring-Tension

Ref	Part No.	Qty.	Description
26	106-4410	1	Lever-Traction
27	105-9996	1	Rod-Lockout
28	107-1043	1	Cam-Lockout
29	108-0023	1	Latch-Lockout
30	98-3499	1	Washer-Flat
31	107-3000	1	Link-Lockout
32	108-0024	1	Spring-Torsion
33	106-4412	1	Screw-Shoulder
34	107-3018	4	Screw-Handle
39	106-4563	1	Cable-Traction
40	106-4599	1	Cable-Auger
41	107-8896	2	Cable-Clutch
42	107-1005	1	Rod-Shift
45	108-2963	1	Decal-Panel, Control



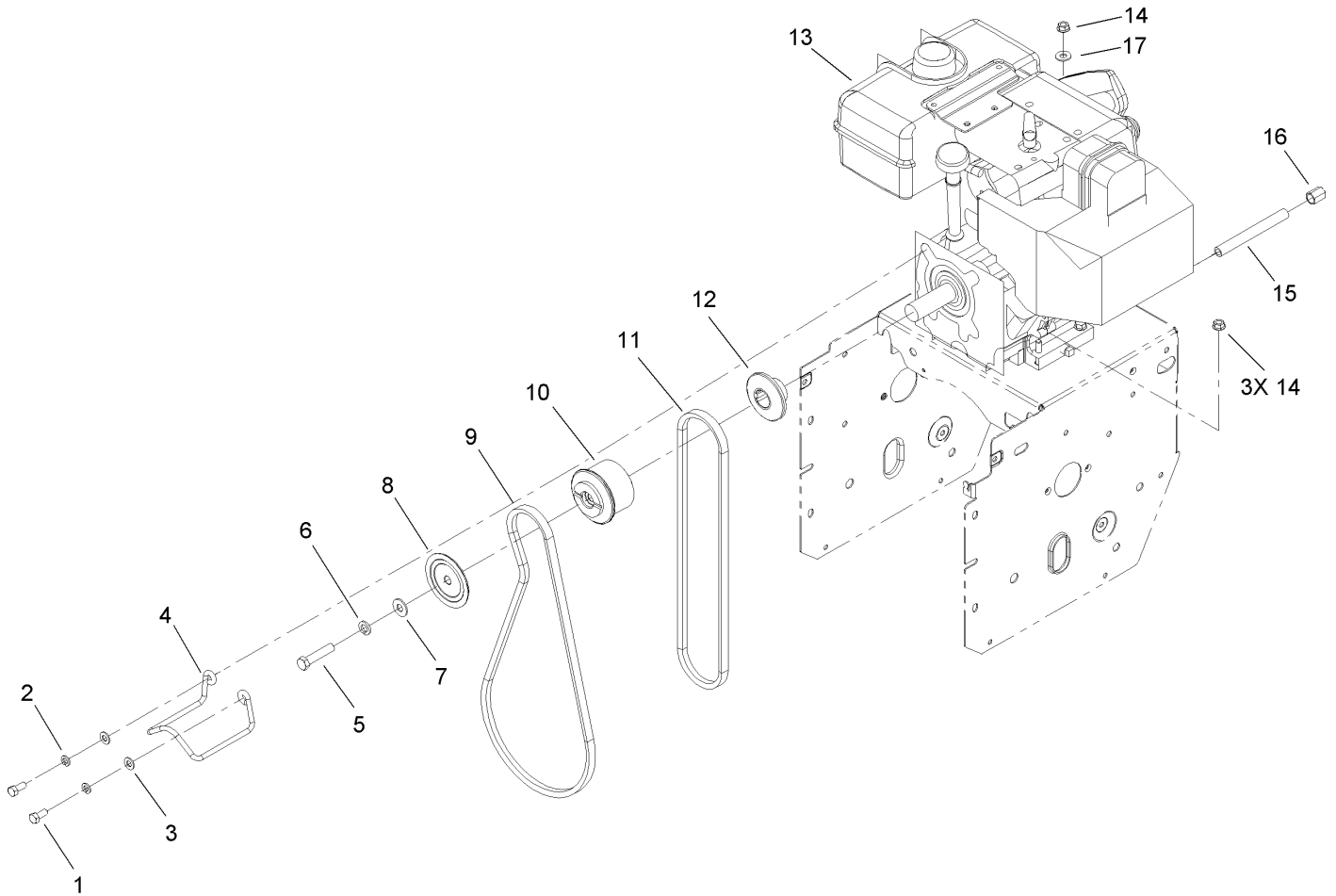
Handle Assembly

Ref	Part No.	Qty.	Description	Ref	Part No.	Qty.	Description
2	3229-30	2	Screw-CARR	28	3256-1	2	Washer-Flat
3	46-8092	2	Screw-Plastite	29	106-4511	1	Harness-Wire
4	105-9987	2	Support-Rod	30	614249	2	Strap-Tie
5	106-7283	1	Rod-Chute, Front	31	110-3408	1	Stick-Cleanout
6	3296-73	2	Nut-Lock, NI				
7	108-0038-03	1	Handle-Upper, RH				
8	95-4453	2	Screw				
9	106-4509	2	Clamp-Cable				
10	87-6630	2	Washer-Plain				
11	3296-73	2	Nut-Lock, NI				
12	107-3844	4	Washer				
13	3296-72	4	Nut-Lock, NI				
14	106-4586	1	Cover-Panel, Control				
15	94-4496	2	Screw-PPH				
16	108-0037-03	1	Handle-Upper, LH				
17	105-9981-03	1	Handle-Lower				
18	32144-14	4	Screw-HWH				
19	3290-475	4	Washer-Belleville				
20	92-2260	4	Screw-Handle				
24	106-4510	1	Headlamp ASM				
24:1	108-0008	1	Lamp-12 Volt				
25	107-3024	1	Clamp-Light				
26	107-1020-03	1	Bracket-Light				
27	3296-73	2	Nut-Lock, NI				



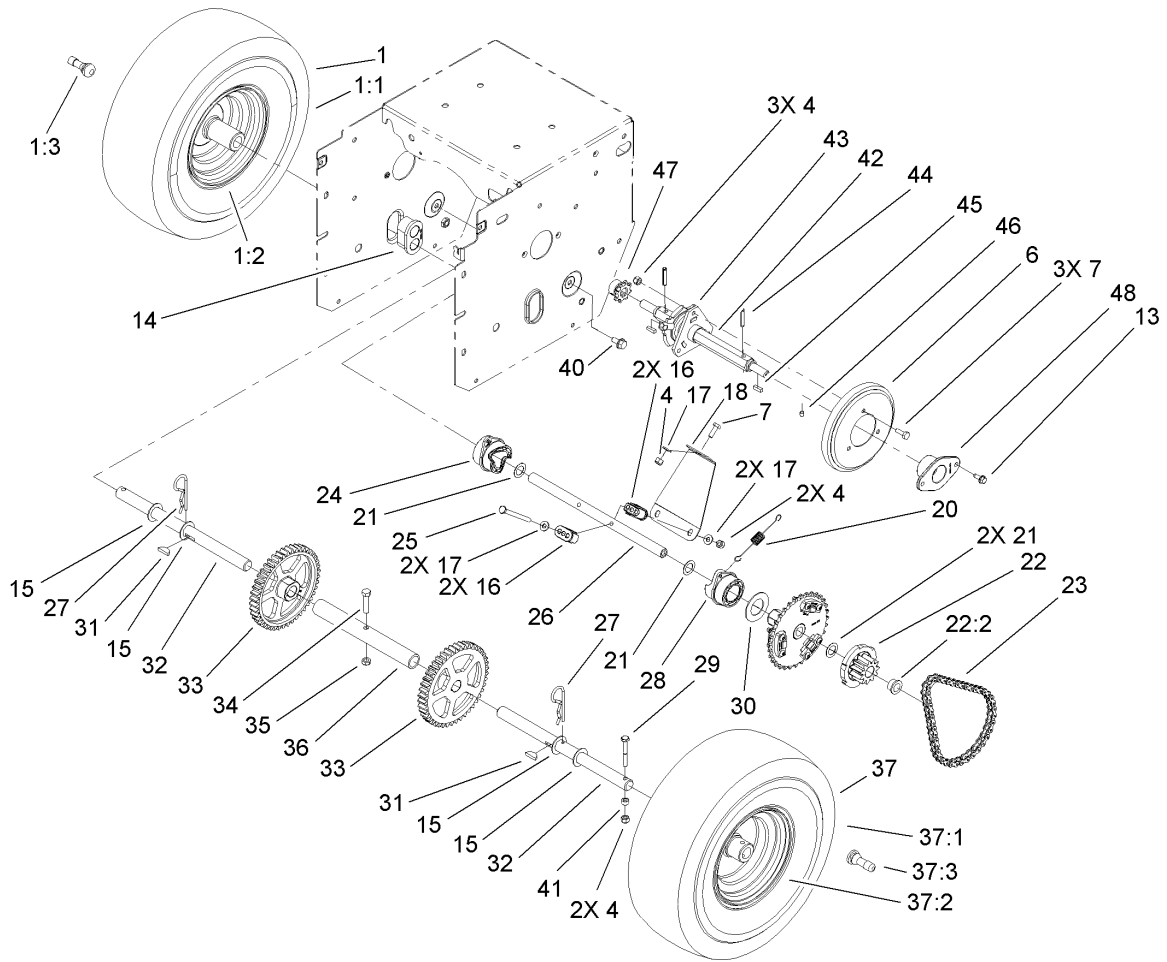
Lever Chute Control Assembly

Ref	Part No.	Qty.	Description
1	94-4496	6	Screw-PPH
3	105-9982	1	Spring-Torsion
4	105-9984	1	Trigger-Latch
5	105-9985	1	Link-Latch
6	105-9988	1	Lever-Cable, Deflector
7	105-9995	1	Screw-Shoulder
8	106-4479	1	Rod-Control, Chute
9	106-7280	1	Cap-Lever
10	106-7281	1	Lever-Chute Control, RH
11	106-7282	1	Lever-Chute Control, LH
12	107-3002	1	Washer-Nylon
13	106-7295	1	Plate-Friction
14	106-7310	1	Pawl-Latch
15	3290-456	1	Washer-Belleville
16	3296-29	1	Nut-Lock, NI
17	105-9986	1	Cover-Chute Lever, LH
18	106-7292	1	Cover-Chute Lever, RH
19	105-9989	1	Cable-Release, Chute
20	105-9990	1	Cable-Control, Deflector



Engine Assembly and Belt Assembly

Ref	Part No.	Qty.	Description
1	3210-3	2	Screw-HH
2	3253-4	2	Washer-Lock
3	3256-23	2	Washer-Flat
4	107-3835	1	Guide-Belt
5	3212-8	1	Screw-HH
6	3253-6	1	Washer-Lock
7	3256-4	1	Washer-Flat
8	62-0940	1	Sheave-Half, Impeller
9	106-4498	1	Belt-V
10	106-7333	1	Pulley-Engine, Center
11	94-8812	1	V Belt-Traction
12	106-7334	1	Sheave-Half, Traction
13		1	Engine-Tecumseh, LH318Sa-156563H
14	32128-20	4	Nut-HF
15	289-34	1	Nipple-Pipe
16	288-2	1	Cap-Pipe
17	3256-2	1	Washer-Flat



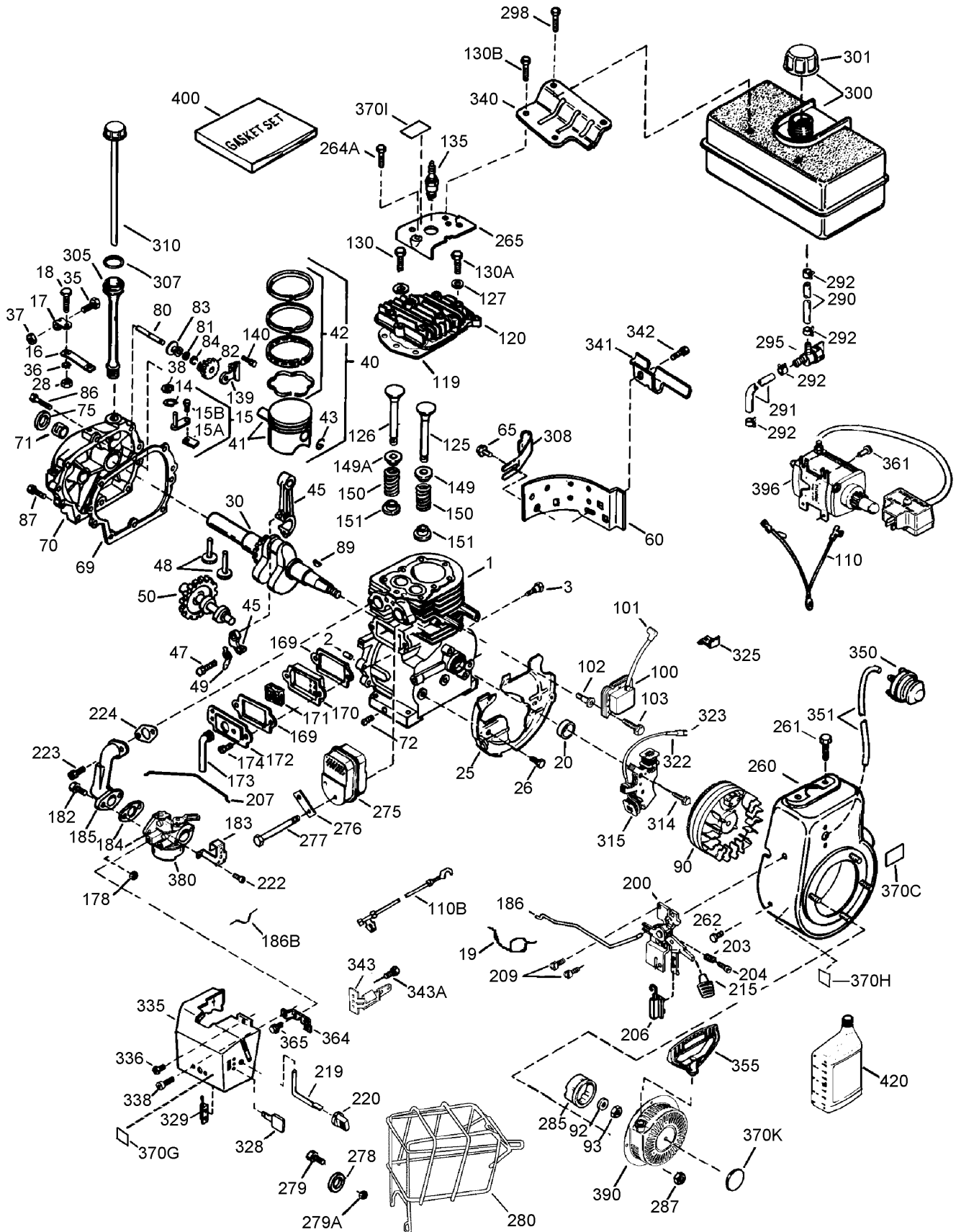
Wheel Clutch Assembly

Ref	Part No.	Qty.	Description
①		1	RH Wheel And Tire ASM
1:1	107-3042	1	Tire
1:2	107-3043	1	Rim-Tire
1:3	232-27	1	Stem-Valve
4	3296-42	8	Nut-Lock, NI
6	106-4480	1	Wheel-Friction
7	321-4	4	Screw-HH
13	32144-10	4	Screw-HWH
14	106-4558	2	Bearing-Axle
15	3-8664	4	Washer-Thrust
16	107-8889	4	Guide-Collar
17	3256-22	5	Washer-Flat
18	107-8892-03	1	Brace-Collar, Shift
20	107-8893	2	Spring-Extension
21	108-0015	4	Washer-Flat
22	107-8894	2	11T Gear ASM
22:2	108-2973	2	Bushing-Flange
23	108-0016	2	Chain-Roller
23	2710-6	2	Link-Connecting
24	107-8888	1	Collar-Shift, RH
25	321-23	2	Screw-HH
26	107-8883	1	Shaft-Intermediate
27	3290-343	2	Pin-Hair
28	107-8887	1	Collar-Shift, LH

Ref	Part No.	Qty.	Description
29	108-2975	2	Screw-HH
30	107-8891	2	Washer-Thrust
31	3257-7	2	Key-Woodruff
32	107-8898	2	Shaft-Axle
33	106-4572	2	Gear-Axle, 44 Tooth
34	322-17	1	Screw-HH
35	3296-47	1	Nut-Lock, NI
36	106-7259	1	Tube-Axle
③		1	LH Wheel And Tire ASM
37:1	107-3042	1	Tire
37:2	107-3043	1	Rim-Tire
37:3	232-27	1	Stem-Valve
40	32144-14	2	Screw-HWH
41	55-9370	2	Spacer-Blade, Rotor
42	108-7314	1	Shaft-Hex
43	106-4434	1	Trunion-Hex
44	32121-9	2	Pin-Roll, Slotted
45	94-8850	2	Key-Square
46	3245-32	4	Screw-HSH
47	106-7317	2	Sprocket-8 Tooth
48	108-7319	2	Retainer-Bearing

Engine Assembly No. 1

Tecumseh LH318SA-156564H



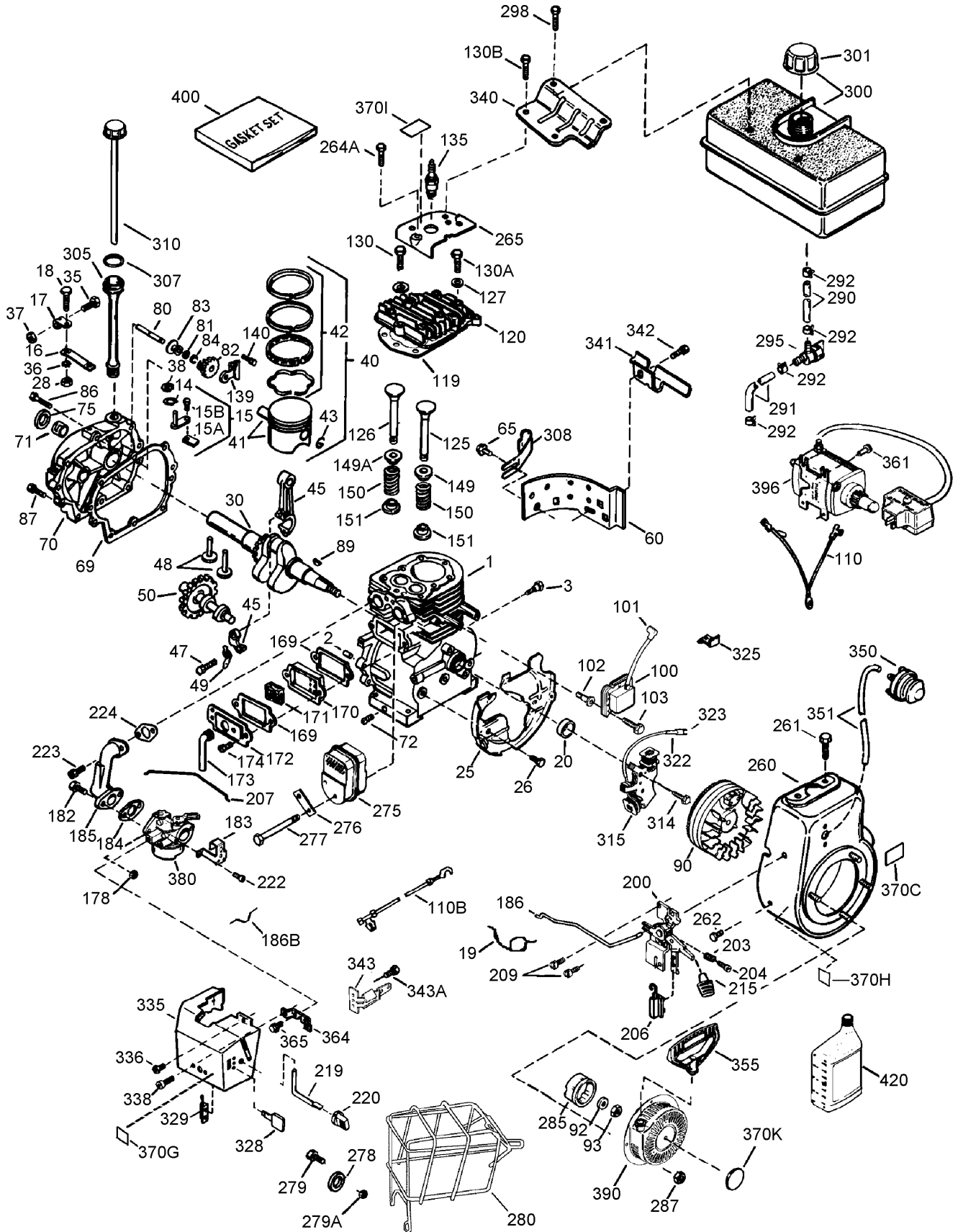
Engine Assembly No. 1

Tecumseh LH318SA-156564H

Ref	Part No.	Qty.	Description	Ref	Part No.	Qty.	Description
①	35385	1	Cylinder ASM (Includes 2, 20, 72)	⑧9	32589	1	Key-Flywheel
①⑤	756320C	1	Shortblock	⑧90	611093	1	Flywheel ASM
②	27652	2	Pin-Dowel	⑧92	650880	1	Washer-Belleville
③	650820	2	Screw (1/4-20X1/2)	⑧93	650881	1	Nut-Flywheel
⑭	28277	1	Washer-Flat	⑩00	35135A	1	Ignition-State, Solid (Includes 101)
⑮	30699C	1	Rod-Governor (Includes 15A, 15B)	⑩01	610118	1	Cover-Spark Plug
⑮A	30700	1	Yoke-Governor	⑩02	651024	2	Stud-Mounting, Solid State
⑮B	650494	1	Screw (6-40X5/16)	⑩03	651007	2	Screw (T-15 10-24X15/16)
⑯	33454A	1	Lever-Governor	⑩10	35187	1	Wire-Ground
⑰	29916	1	Clamp-Lever, Governor	⑩10B	37047	1	Wire-Ground (10.50 With Male And Female Flag Terminals)
⑱	651028	1	Screw (T-15 8-32X7/16)	⑩19	36448	1	Gasket-Head, Cylinder
⑲	34663	1	Spring-Throttle	⑩20	36449	1	Head-Cylinder
⑳	35319	1	Seal-Oil	⑩25	27878A	1	Valve-Exhaust (STD) (Includes 151)
㉕	37853	1	Baffle-Housing, Blower	⑩25	27880A	1	Valve-Exhaust (1/32In Os) (Includes 151)
㉖	650561	2	Screw (1/4-20X19/32)	⑩26	34035	1	Valve-Intake (STD.) (Includes 151)
㉘	30322	1	Nut-Lock (8-32)	⑩27	650691	2	Washer
㉚	35571A	1	Crankshaft	⑩30	6021A	7	Screw (5/16-18X1-1/2)
㉜	29826	1	Screw (10-32X3/4)	⑩30A	650727	2	Screw (5/16-18X1-25/32)
㉞	29918	1	Washer-Lock (#8)	⑩30B	651055	2	Screw (5/16-18X39/64)
㉟	29216	1	Nut-Lock (10-32)	⑩35	35395	1	Spark Plug-Resistor (R J19 L M)
㊱	29642	1	Ring-Retaining	⑩39	33369	1	Bracket-Gear, Governor
㊲	40011	1	Piston-Pin And Ring Set (STD.)	⑩40	650836	2	Screw (10-24X1/2)
㊲	40012	1	Piston- Pin And Ring Set (.010 Os)	⑩49	27882	1	Cap-Spring, Valve
㊳	40009	1	Piston And Pin ASM (STD) (Includes 43)	⑩49A	35862	1	Cap-Spring, Valve
㊳	40010	1	Piston And Pin ASM (.010In Os) (Includes 43)	⑩50	27881	2	Spring-Valve
㊴	40013	1	Ring Set (STD.)	⑩51	32581	2	Keeper-Spring, Valve
㊴	40014	1	Ring Set (.010 Os)	⑩69	27896A	2	Gasket-Cover, Valve
㊵	27888	2	Ring-Retaining, Piston Pin	⑩70	28423	1	Body-Breather
㊶	36897	1	Connecting Rod ASM (Includes 47, 49)	⑩71	28424	1	Element-Breather
㊸	651033	2	Bolt-Rod, Connecting	⑩72	28425	1	Cover-Valve
㊹	34034	2	Lifter-Valve	⑩73	35350	1	Tube-Breather
㊺	36896	1	Dipper-Oil	⑩74	650128	2	Screw (10-24X1/2)
㊻	35375	1	Camshaft (Mcr)	⑩78	29752	2	Nut And Lock Washer (1/4-28)
㊼	33273A	1	Extension-Housing, Blower				
㊽	650128	1	Screw (10-24X1/2)				
㊿	37342	1	Gasket-Cover, Cylinder				
①0	37847	1	Cover-Cylinder (Includes 71,75,80 - 84)				
①1	35377	1	Bushing-Crankshaft				
①2	27642	1	Plug-Drain, Oil (SQH, 1/4-18)				
①5	35319	1	Seal-Oil				
①8	37587	1	Shaft-Governor				
①9	651080	1	Washer				
②2	37588	1	Governor Gear ASM (Includes 81)				
②3	30588A	1	Spool-Governor				
②4	29193	1	Ring-Retaining				
②6	650833	7	Screw (1/4-20X1-3/16)				
②7	650832	1	Screw (1/4-20X1-11/16)				

Engine Assembly No. 2

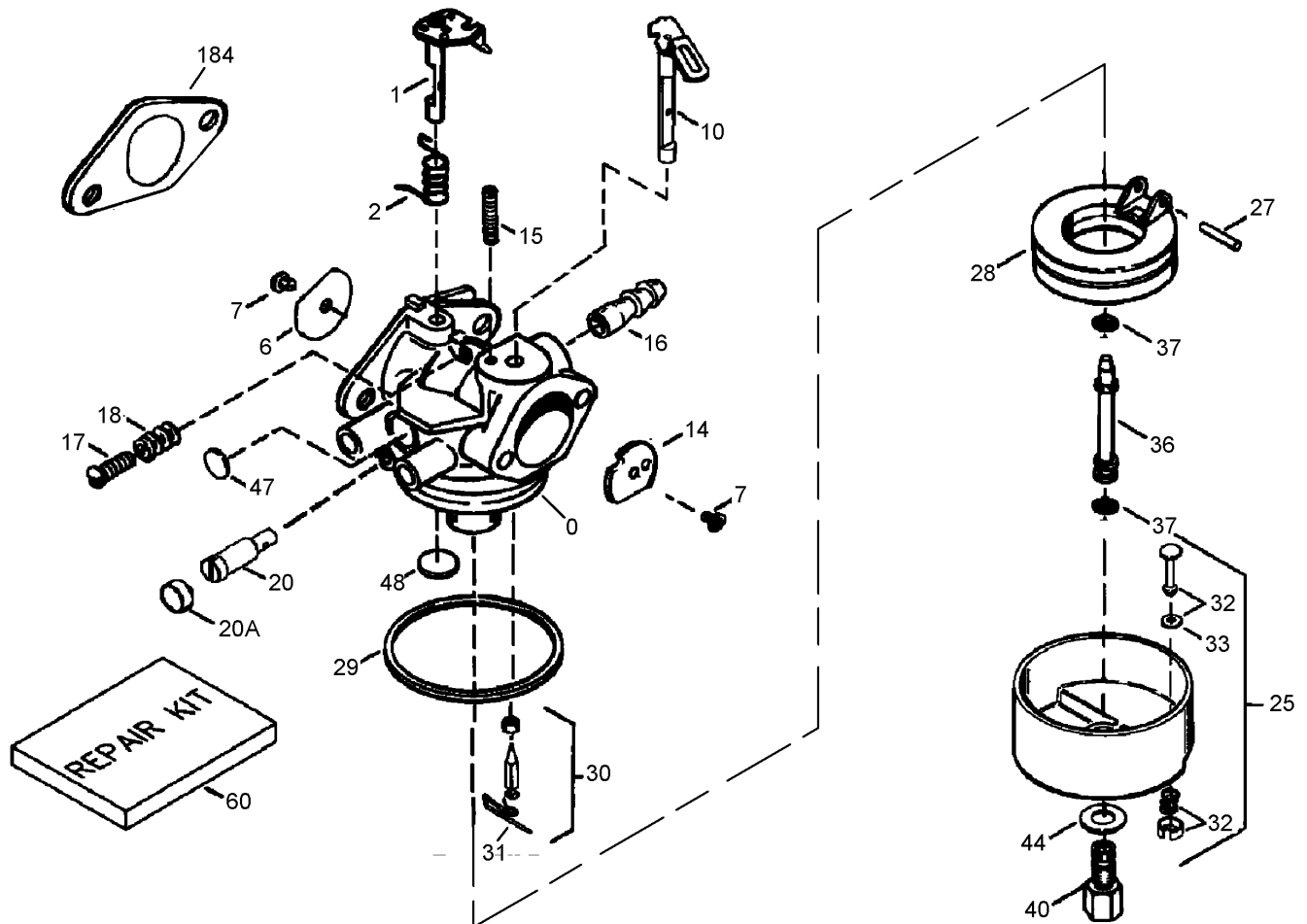
Tecumseh LH318SA-156564H



Engine Assembly No. 2

Tecumseh LH318SA-156564H

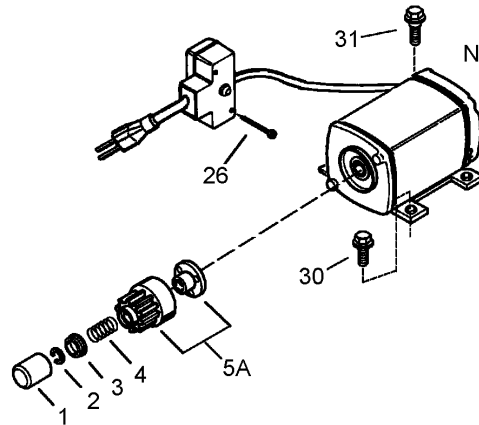
Ref	Part No.	Qty.	Description	Ref	Part No.	Qty.	Description
③182	30088A	2	Screw (1/4-28X1)	③329	610973	1	Terminal
③183	34587A	1	Bracket-Choke	③335	36547	1	Cover-Carburetor (Black)
③184	33263	1	Gasket-Carburetor To Intake Pipe	③336	650765	1	Screw (10-32X1/2)
③185	33877	1	Pipe-Intake	③338	28942	2	Screw (10-32X3/8)
③186	34667	1	Link-Governor	③340	34154	1	Bracket-Tank, Fuel (Black)
③186B	36652	1	Spring-Choke	③341	34155	1	Bracket-Tank, Fuel
③200	34677	1	Bracket-Control (Includes 19, 203, 204, 206)	③342	650561	1	Screw (1/4-20X19/32)
③203	31342	1	Spring-Compression	③343	35079A	1	Bracket-Switch, Key (Includes 343A)
③204	651029	1	Screw (T-10 5-40X7/16)	③343A	651060	1	Screw (10-32X23/64)
③206	610973	1	Terminal	③350	570682A	1	Primer ASM
③207	33878	1	Link-Throttle	③351	32180C	1	Line-Primer (12In)
③209	650821	2	Screw (10-32X1/2)	③355	590574	1	Handle-Starter, Mitten Grip
③215	35440	1	Knob-Control	③361	650990	2	Screw (T-30 1/4-20X15/32)
③219	34586	1	Rod-Choke	③364	37659	1	Bracket-Cover, Carburetor
③220	35438	1	Knob-Control	③365	650767	2	Screw (8-32X27/64)
③222	28820	2	Screw (10-32X1/2)	③370C	36501	1	Decal-Primer, International Symbol
③223	650378	2	Screw (T-30 5/16-18X1-3/32)	③370G	36534	1	Decal
③224	27915A	1	Gasket-Pipe, Intake	③370H	35077	1	Decal-Speed Control And Choke
③260	35447A	1	Housing-Blower	③370I	37119	1	Decal-Warning (Bilingual)
③261	650788	2	Screw (5/16-18X3/4)	③370K	36695	1	Decal-Tecumseh (Logo For Top Of Recoil Starter)
③262	651084	2	Screw (5/16-18X9/16)	③380	640349	1	Carburetor (Includes 184)
③264A	650802	1	Screw (1/2-20X5/8)	③390	590749	1	Starter-Rewind (Note: This Engine Could Have Been Built With Starter 590733)
③265	33272D	1	Cover-Head, Cylinder (Black)	③396	37102	1	220 Volt Electric Motor ASM
③275	35056	1	Muffler	③400	36450C	1	Gasket Set (Includes 69, 119, 169, 184, 224)
③276	31588	1	Plate-Locking	③420	730226A	1	Oil-Sae 5W30 (Quart)
③277	651002	2	Screw (5/16-18X4-3/16)				
③278	650147	2	Washer-Flat				
③279	650980	2	Screw (10-16 X 47/64)				
③279A	650979	2	Washer-Lock				
③280	36294	1	Muffler Heat Shield ASM (Includes 278, 279, 279A)				
③285	35985C	1	Cup-Starter				
③287	29752	4	Nut And Lock Washer (1/4-28)				
③290	29774	1	Line-Fuel (8.62)				
③291	30705	1	Line-Fuel				
③292	26460	4	Clamp-Line, Fuel				
③295	35857	1	Valve-Shut Off, Fuel (Includes 292)				
③298	650665	2	Screw (1/4-15X7/8)				
③300	34156A	1	Tank-Fuel (Includes 292, 301)				
③301	37844	1	Cap-Fuel (Black) (1-1/2 Id)				
③305	36877	1	Tube-Fill, Oil				
③307	35499	1	O-Ring				
③308	35539	1	Clip-Tube, Fill				
③310	37869	1	Dipstick				
③314	650873	1	Screw (1/4-20 X 3/4In)				
③315	611111	1	Coil-Alternator, 18 Watt (Includes 322, 323)				
③322	611117	1	Body-Connector				
③323	611118	1	Terminal				
③325	29443	1	Clip-Wire				
③328	35062	2	Key-Ignition				



Carburetor Assembly Tecumseh LH318SA-156564H

Ref	Part No.	Qty.	Description
0	640349	1	Carburetor (Includes 184)
1	631776A	1	Throttle Shaft And Lever ASM
2	631970	1	Spring-Return, Throttle
6	640109	1	Shutter-Throttle
7	650506	2	Screw-Shutter
10	632112	1	Choke Shaft And Lever ASM
14	632174	1	Shutter-Choke
15	630735	1	Spring-Positioning, Choke
16	632164	1	Fitting-Fuel
17	651025	1	Screw-Speed, Idle
18	630766	1	Spring-Tension
20	640027	1	Screw-Restrictor, Idle
20A	640200	1	Cap-Screw, Restrictor Idle
25	631951	1	Float Bowl ASM (Includes 32 And 33)
27	631024	1	Shaft-Float
28	632802	1	Float
29	631028	1	O Ring-Bowl, Float
30	631021A	1	Inlet Needle, Seat, And Clip ASM (Includes 31)
31	631022	1	Clip-Spring
32	27136A	1	Bowl Drain ASM
33	27554	1	Gasket-Plunger, Drain
36	640113	1	Tube-Nozzle

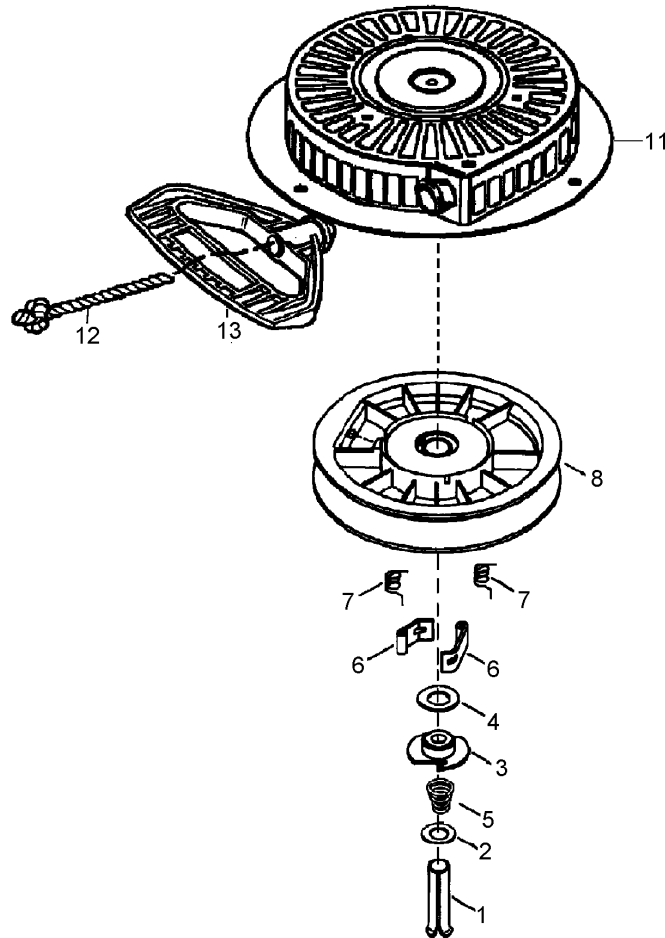
Ref	Part No.	Qty.	Description
37	632547	2	O Ring-Tube, Main Nozzle
40	640128	1	Nut-Bowl, High Speed
44	27110	1	Washer-Bowl Nut
47	630748	1	Plug-Welch, Idle Mixture Well
48	631027	1	Plug-Welch, Atmospheric Vent
60	632760B	1	Repair Kit (Includes 7, 27, 29, 30, 33, 37, 44, 47, 48)
184	33263	1	Gasket-Carburetor To Intake Pipe



Note: Internal parts are not serviced. In the event of electrical failure, the entire motor must be replaced.

Electric Starter Assembly Tecumseh LH318SA-156564H

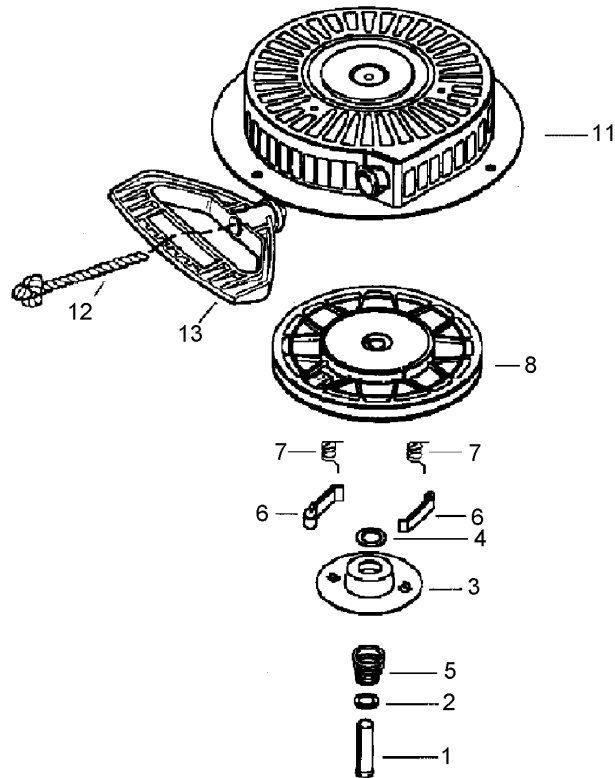
Ref	Part No.	Qty.	Description
30	37102	1	220 Volt Electric Motor ASM
31	33451	1	Cover-Dust
32	33842	1	Ring-Retainer
33	33430	1	Retainer-Spring
34	33431	1	Spring-Anti Drift
35A	37050	1	Gear And Nut (Includes 2)
26	650819	2	Screw (6-32X2-1/2)
26	651032	2	Screw (12-16 X 5/8In)
30	30063	2	Screw (T-30 1/4-20X1/2)
31	650820	2	Screw (1/4-20X1/2)



Recoil Starter Assembly Tecumseh LH318SA-156564H

Ref	Part No.	Qty.	Description
❶0	590749	1	Starter-Rewind
❶1	590599A	1	Spring Pin ASM (Includes 4)
❶2	590600	1	Washer
❶3	590679	1	Retainer
❶4	590601	1	Washer
❶5	590678	1	Spring-Brake
❶6	590680	2	Dog-Starter
❶7	590412	2	Spring-Dog
❶8	590682	1	Pulley And Rewind Spring ASM
❶11	590750A	1	Starter Housing ASM
❶12	590535	1	Rope-Starter (98X9/64 Dia) (Cut To Length)
❶13	590574	1	Handle-Grip, Mitten (Not Included With Starter)

--	--	--	--



Recoil Starter Assembly (Optional) Tecumseh LH318SA-156564H

Ref	Part No.	Qty.	Description				
⑩0	590733	1	Starter-Rewind				
⑩1	590599A	1	Spring Pin ASM (Includes 4)				
⑩2	590600	1	Washer				
⑩3	590696	1	Retainer				
⑩4	590601	1	Washer				
⑩5	590697	1	Spring-Brake				
⑩6	590698	2	Dog-Starter				
⑩7	590699	2	Spring-Dog				
⑩8	590709	1	Pulley And Rewind Spring ASM				
⑩11	590734A	1	Starter Housing ASM				
⑩12	590535	1	Rope-Starter (98X9/64 Dia) (Cut To Length)				
⑩13	590574	1	Handle-Grip, Mitten (Not Included With Starter)				

Attachments and Accessories

For 38631 - Power Max 828LXE Snowthrower

Product Name	Model/Part
Tire Chain Kit	107-3813
Snow Cab	107-3814
Weight Kit	107-3815
28 Inch Drift Breaker	107-3817

NOTES

