



## Z400 Z Master<sup>®</sup> With 48in 7-Gauge Side Discharge Mower

Model No. 74418 - 270000001 and up.

### Parts Catalog

---

#### **Ordering Replacement Parts**

To order replacement parts, please supply the part number, the quantity, and the description of each part desired.

#### **Understanding Reference Numbers**

Each Identified part in an illustration has a reference number. The reference number for a part also appears in the parts list, along with other information about the part.

This catalog uses two special reference number formats, one to indicate parts in a service assembly and another to indicate the quantity of a given part in an illustration.

#### **Service Assembly Reference Numbers**

Parts in service assemblies have reference numbers in the form a:b. The a represents the reference number of the entire service assembly and the b represents a sequential number unique to each part within the service assembly.

For example, a wheel assembly might be identified by reference number 6, the tire by 6:1, the valve by 6:2, and the wheel by 6:3. When you order the assembly identified by reference number 6, you receive all parts identified by reference numbers 6:1, 6:2, and 6:3. However, you may also order any part individually. Reference numbers of this type appear in illustrations and in part lists.

#### **Reference Numbers Indicating Quantity**

In an illustration, if a reference number indicates more than one part, the reference number has the form nX y. The n represents the quantity of the part, the X is the multiplication symbol, and the y represents the reference number.

For example, in an illustration, the reference number 2X 37 means that two of the parts identified by reference number 37 are indicated.

# Contents

| Description                                       | Page | Description  | Page |
|---|------|--|------|
| Front Frame Assembly                              | 3    | Cylinder and Crankcase Assembly Kawasaki FH580V-AS14 | 26   |
| Height-of-Cut Assembly                            | 4    | Piston and Crankshaft Assembly Kawasaki FH580V-AS14  | 27   |
| Main Frame Assembly                               | 5    | Valve and Camshaft Assembly Kawasaki FH580V-AS14     | 28   |
| Fuel System Assembly                              | 6    | Lubrication Equipment Assembly Kawasaki FH580V-AS14  | 29   |
| Parking Brake Assembly                            | 7    | Cooling Equipment Assembly Kawasaki FH580V-AS14      | 30   |
| Motion Control Assembly                           | 8    | Electrical Equipment Assembly Kawasaki FH580V-AS14   | 31   |
| Hydraulic System Assembly                         | 10   | Control Equipment Assembly Kawasaki FH580V-AS14      | 32   |
| Pump Idler and Belt Assembly                      | 12   | Carburetor Assembly Kawasaki FH580V-AS14             | 33   |
| Engine, Clutch and Muffler Assembly               | 13   | Air Filter and Muffler Assembly Kawasaki FH580V-AS14 | 34   |
| Deck Connection Assembly                          | 14   | Fuel Tank and Valve Assembly Kawasaki FH580V-AS14    | 35   |
| Deck Assembly                                     | 15   | Starter Assembly Kawasaki FH580V-AS14                | 36   |
| Deck Decal Assembly No. 107-1666                  | 17   | Decal Assembly Kawasaki FH580V-AS14                  | 37   |
| Spindle Assembly No. 107-8504                     | 18   | Attachments and Accessories List                     | 38   |
| Rubber Deflector Assembly No. 108-7770            | 19   |  |      |
| Idler Assembly                                    | 20   |  |      |
| Electrical System Assembly                        | 21   |  |      |
| Seat and Bracket Assembly                         | 22   |  |      |
| Seat Assembly No. 110-5738                        | 23   |  |      |
| Roll-Over Protection System Assembly              | 24   |  |      |
| Roll-Over Protection System Assembly No. 107-8093 | 25   |  |      |

## Part Description Abbreviations

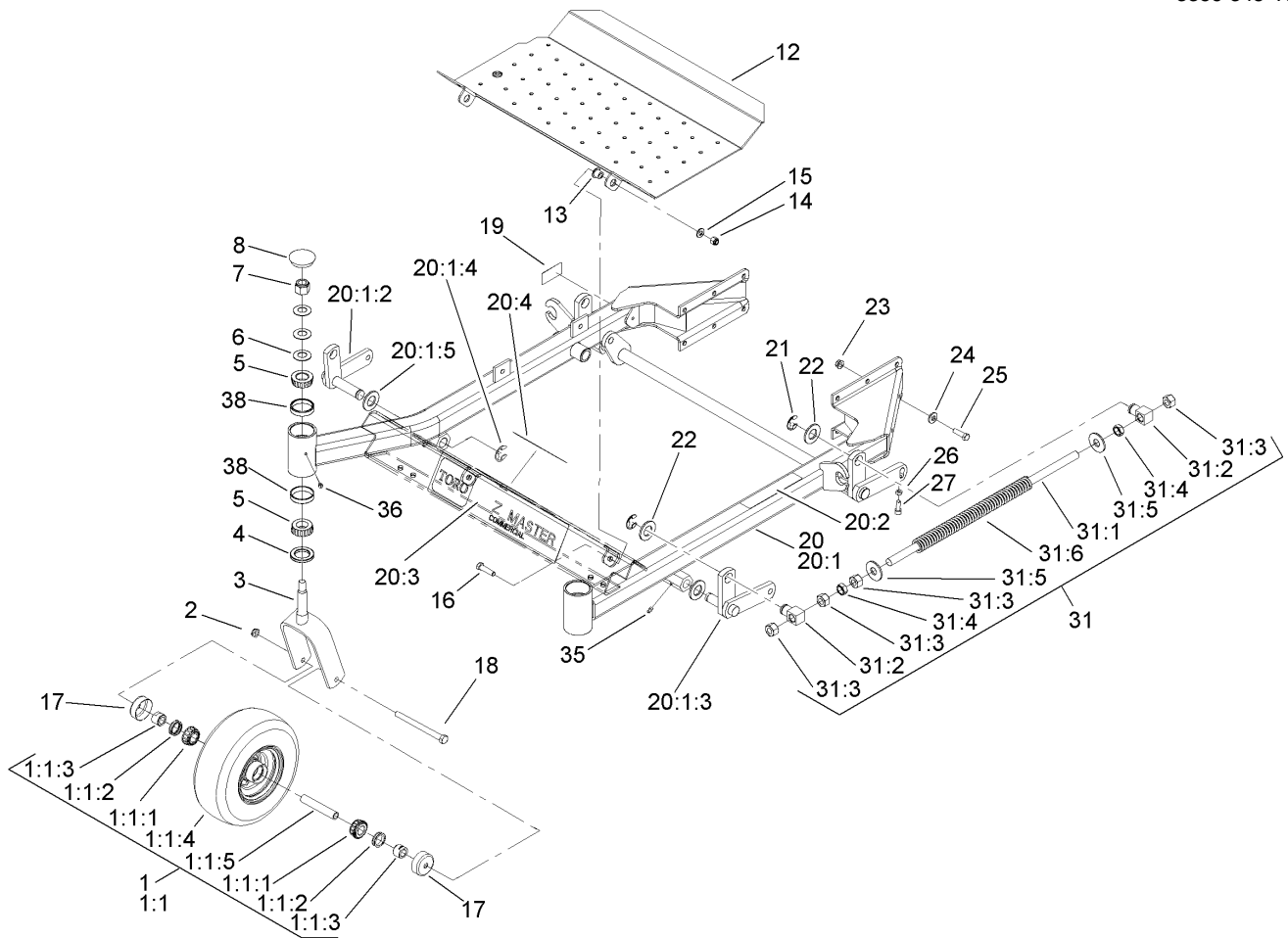
Part descriptions in this catalog may include the following abbreviations.

|  |  |
|--|--|
| AR. .... as required                       | HYD. .... hydraulic                          |
| ASM. .... assembly                         | LH. .... left hand                           |
| BBC. .... blade brake clutch               | NI. .... nylon insert                        |
| CARR. .... carriage                        | NPTF. .... national pipe thread fine         |
| DEG. .... degrees                          | PFH. .... phillips flat head                 |
| EXT. .... external                         | PPH. .... phillips pan head                  |
| FH. .... flat head                         | PPHTF. .... phillips pan head thread forming |
| GA. .... gauge                             | PRH. .... phillips round head                |
| HD. .... heavy-duty                        | PTH. .... phillips truss head                |
| HF. .... hex flange                        | PTO. .... power-take-off                     |
| HH. .... hex head                          | RH. .... right hand                          |
| HHF. .... hex head flange                  | ROPS. .... roll-over protection system       |
| HHFTF. .... hex head flange thread forming | SFH. .... slotted fillister head             |
| HJ. .... hex jam                           | SHH. .... slotted hex head                   |
| HLH. .... hex lag head                     | SHWH. .... slotted hex washer head           |
| HOC. .... height-of-cut                    | SPH. .... slotted pan head                   |
| HSBH. .... hex socket button head          | SQH. .... square head                        |
| HSFH. .... hex socket flat head            | SRH. .... slotted round head                 |
| HSH. .... hex socket head                  | STD. .... standard                           |
| HWH. .... hex washer head                  | TAP. .... self tapping                       |
| HWHTF. .... hex washer head thread forming | TTH. .... torx truss head                    |

## Footnotes

- ❶ Not illustrated
- ❷ Optional Equipment

- ❸ Not serviced separately
- ❹ Obtain from your local Kawasaki dealer

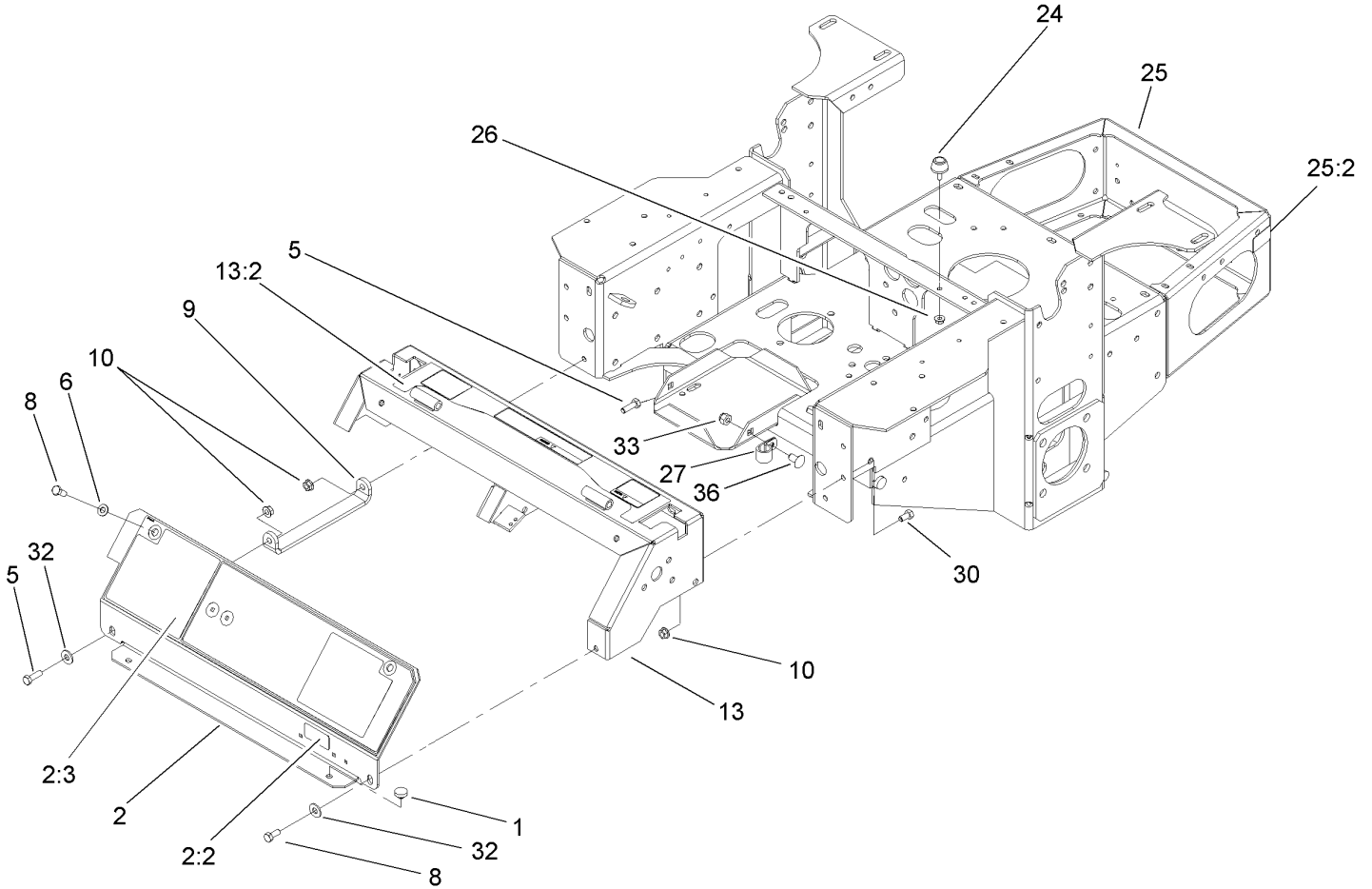


## Front Frame Assembly

| Ref   | Part No.    | Qty. | Description           |
|-------|-------------|------|-----------------------|
| 2     | 103-3800    | 2    | Wheel And Tire ASM    |
| 2     | 1:1         | 1    | Wheel And Bearing ASM |
| 1:1:1 | 1-633585    | 2    | Bearing-Cone, Taper   |
| 1:1:2 | 103-0063    | 2    | Seal-Caster           |
| 1:1:3 | 103-3051    | 2    | Spacer-Nut            |
| 1:1:4 | 103-3151    | 1    | Wheel And Tire ASM    |
| 1:1:5 | 103-3157    | 1    | Axle-Caster           |
| 2     | 3296-45     | 2    | Nut-Lock, NI          |
| 3     | 108-7724-01 | 2    | Caster Fork ASM       |
| 4     | 1-543511    | 2    | Seal-Grease           |
| 5     | 254-94      | 4    | Bearing-Cone, Tapered |
| 6     | 1-633508    | 6    | Washer-Bellville      |
| 7     | 3296-51     | 2    | Nut-Lock, NI          |
| 8     | 103-4882    | 2    | Cap-Grease            |
| 12    | 108-5007-03 | 1    | Floor Pan             |
| 13    | 86-2180     | 2    | Bushing-Flange        |
| 14    | 3296-39     | 2    | Nut-Lock, NI          |
| 15    | 3256-24     | 2    | Washer-Flat           |
| 16    | 323-8       | 2    | Screw-HH              |
| 17    | 103-2768    | 4    | Guard-Seal            |
| 18    | 325-20      | 2    | Screw-HH              |
| 19    | 108-5278    | 1    | Decal                 |
| 20    | 108-7744    | 1    | Front Frame ASM       |
| 20:1  |             | 1    | Frame-Front           |

| Ref    | Part No.  | Qty. | Description             |
|--------|-----------|------|-------------------------|
| 20:1:2 | 99-3872   | 1    | RH Lift Arm ASM         |
| 20:1:3 | 99-3871   | 1    | LH Lift Arm ASM         |
| 20:1:4 | 32151-103 | 2    | Ring-Snap               |
| 20:1:5 | 3256-29   | 2    | Washer-Flat             |
| 20:2   | 1-633818  | 1    | Decal-Warning           |
| 20:3   | 106-9730  | 1    | Decal                   |
| 20:4   | 107-2112  | 1    | Decal-Warning           |
| 21     | 32151-103 | 4    | Ring-Snap               |
| 22     | 3256-29   | 4    | Washer-Flat             |
| 23     | 3290-357  | 12   | Nut-HHF, Whiz           |
| 24     | 98-5975   | 12   | Washer-Bellville        |
| 25     | 323-7     | 12   | Screw-HH                |
| 26     | 3218-2    | 2    | Nut-Jam                 |
| 27     | 3274-18   | 2    | Screw-HSH               |
| 31     | 1-634439  | 2    | Front Frame Spring ASM  |
| 31:1   | 1-633096  | 1    | Rod-Lift, Deck          |
| 31:2   | 1-633441  | 2    | Swivel-Deck Mount, Rear |
| 31:3   | 3217-11   | 4    | Nut-Hex                 |
| 31:4   | 3218-6    | 2    | Nut-Jam                 |
| 31:5   | 3256-7    | 2    | Washer-Flat             |
| 31:6   | 1-633064  | 1    | Spring-Support, Deck    |
| 35     | 302-19    | 4    | Fitting-Grease          |
| 36     | 302-5     | 2    | Fitting-Grease          |
| 38     | 254-72    | 4    | Bearing-Cup, Tapered    |

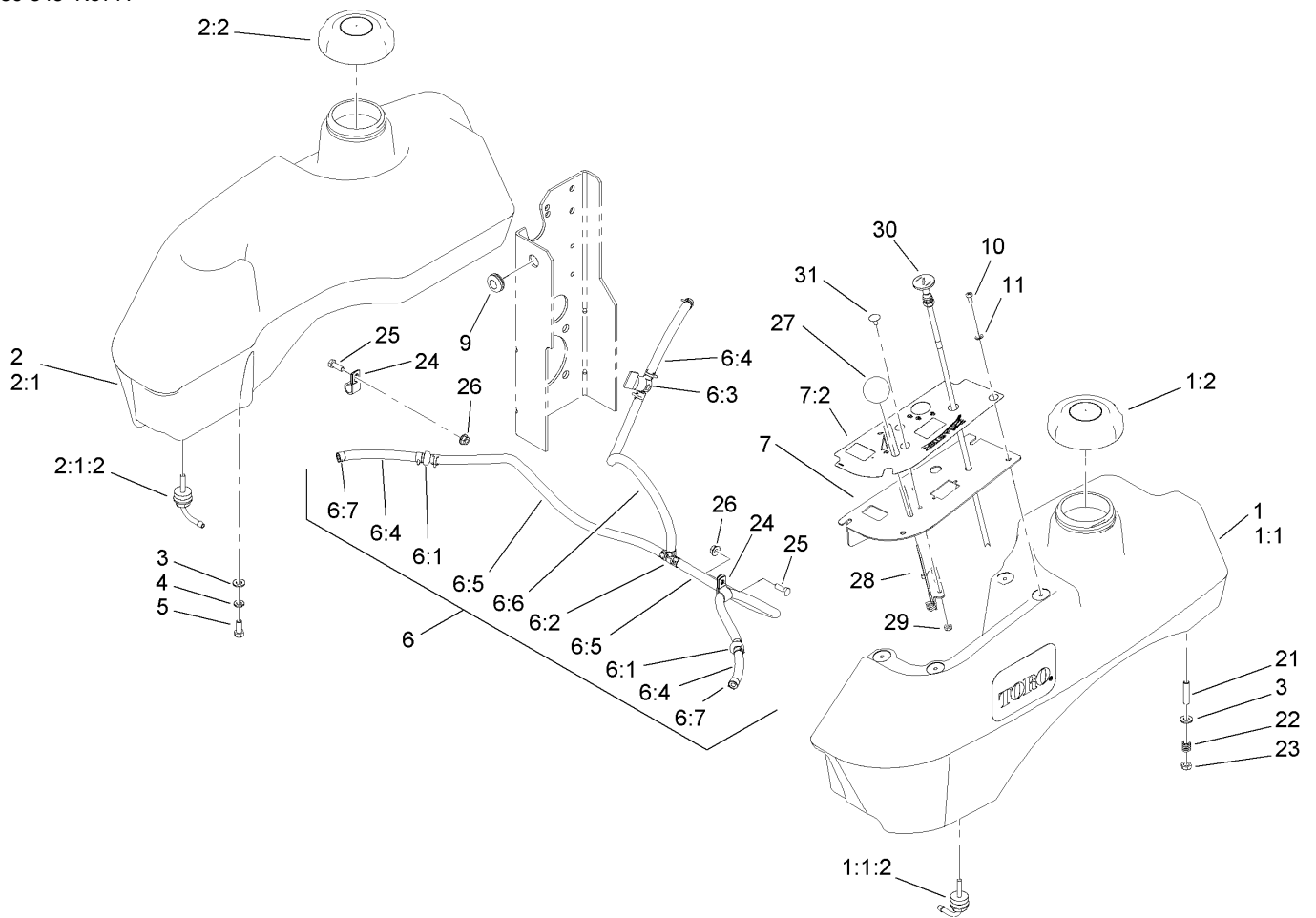




## Main Frame Assembly

| Ref  | Part No.    | Qty. | Description               |
|------|-------------|------|---------------------------|
| 1    | 1-513658    | 2    | Bumper                    |
| 2    | 108-1864    | 1    | Panel ASM                 |
| 2:2  | 98-4387     | 1    | Decal-Protection, Ear     |
| 2:3  | 107-8445    | 1    | Decal-Cover, Panel        |
| 5    | 322-5       | 2    | Screw-HH                  |
| 6    | 3256-23     | 2    | Washer-Flat               |
| 8    | 322-3       | 3    | Screw-HH                  |
| 9    | 103-7935-03 | 1    | Bracket-Panel, Instrument |
| 10   | 32128-20    | 6    | Nut-HF                    |
| 13   | 108-5997    | 1    | Console ASM               |
| 13:2 | 108-5995    | 1    | Decal-Warning             |
| 24   | 109-2365    | 2    | Bumper-Rubber (W/Stud)    |
| 25   | 110-5836    | 1    | Main Frame ASM            |
| 25:2 | 65-2690     | 1    | Decal-Surface, Hot        |
| 26   | 32128-33    | 2    | Nut-HF                    |
| 27   | 1-633396    | 1    | Clip-Loom                 |
| 30   | 322-2       | 4    | Screw-HH                  |
| 32   | 3256-3      | 2    | Washer-Flat               |
| 33   | 3296-39     | 1    | Nut-Lock, NI              |
| 36   | 3231-21     | 1    | Screw-CARR                |

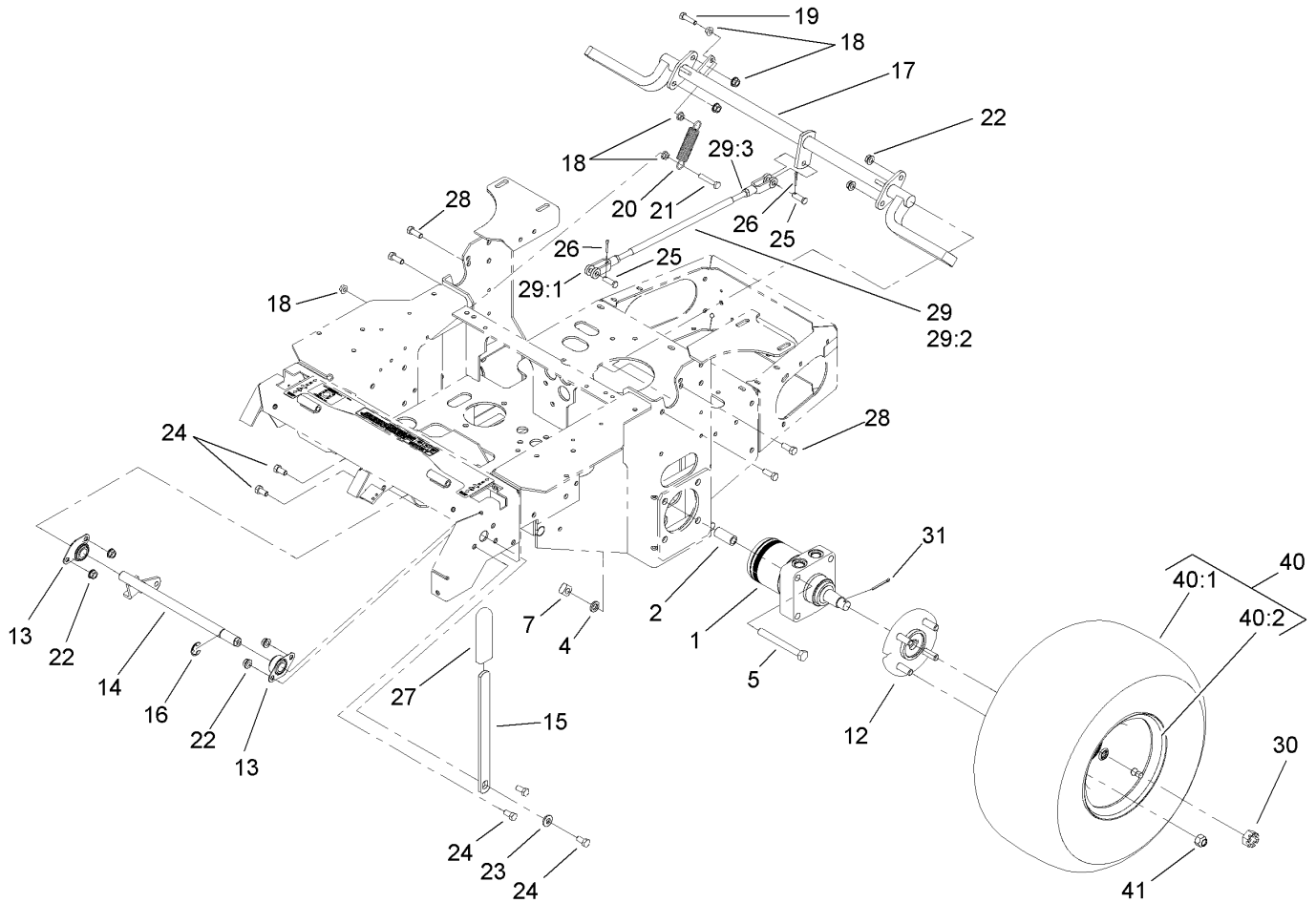
|  |  |  |  |
|--|--|--|--|
|  |  |  |  |
|  |  |  |  |
|  |  |  |  |
|  |  |  |  |



## Fuel System Assembly

| Ref   | Part No. | Qty. | Description              |
|-------|----------|------|--------------------------|
| 1     | 110-4165 | 1    | LH Fuel Tank Service Kit |
| ② 1:1 |          | 1    | Tank-Fuel, LH            |
| 1:1:2 | 103-2605 | 1    | Fitting-Fuel, Bulkhead   |
| 1:2   | 109-0346 | 1    | Cap-Fuel, Gas            |
| 2     | 105-3639 | 1    | RH Fuel Tank Service Kit |
| ② 2:1 |          | 1    | Tank-Fuel, RH            |
| 2:1:2 | 103-2605 | 1    | Fitting-Fuel, Bulkhead   |
| 2:2   | 109-0346 | 1    | Cap-Fuel, Gas            |
| 3     | 3256-23  | 8    | Washer-Flat              |
| 4     | 1-805005 | 4    | Washer-Lock              |
| 5     | 322-3    | 4    | Screw-HH                 |
| ② 6   |          | 1    | Fuel Line ASM            |
| 6:1   | 99-5000  | 2    | Valve-Check, Fuel        |
| 6:2   | 99-5005  | 1    | Fitting-Tee, Barbed      |
| 6:3   | 1-603770 | 1    | Valve-Fuel               |
| 6:4   | 109-0678 | 3    | Hose-Fuel                |
| 6:5   | 110-5701 | 2    | Hose-Fuel                |
| 6:6   | 109-0297 | 1    | Hose-Fuel                |
| 6:7   | 1-303077 | 12   | Clamp                    |
| 7     | 107-2149 | 1    | Control Panel ASM        |
| 7:2   | 110-0439 | 1    | Decal-Panel, Control     |
| 9     | 1-543296 | 2    | Grommet                  |
| 10    | 1-803071 | 4    | Screw                    |
| 11    | 1-303435 | 4    | Washer-Spring            |

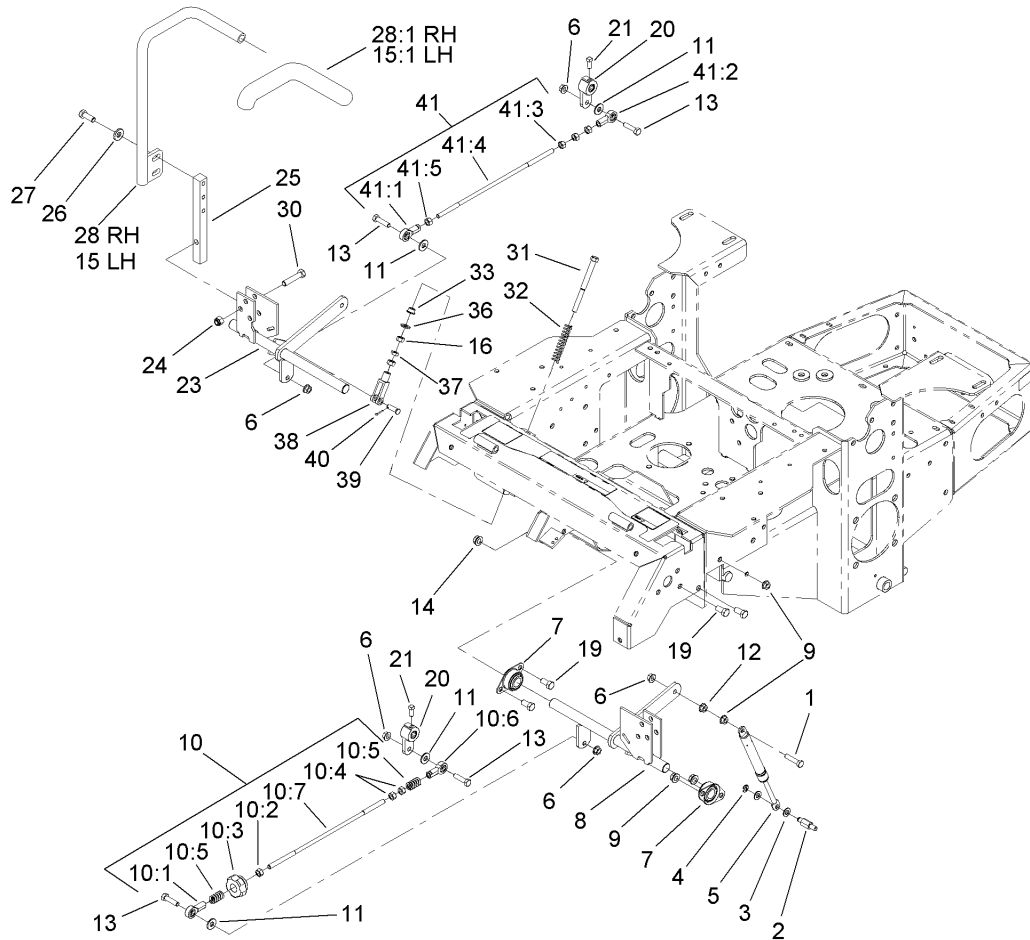
| Ref | Part No. | Qty. | Description                |
|-----|----------|------|----------------------------|
| 21  | 1-633023 | 4    | Stud                       |
| 22  | 1-633349 | 4    | Spring-Tank, Fuel          |
| 23  | 3296-47  | 4    | Nut-Lock, NI               |
| 24  | 1-513762 | 4    | Clip-Loom                  |
| 25  | 321-4    | 2    | Screw-HH                   |
| 26  | 32128-33 | 2    | Nut-HF                     |
| 27  | 1-513592 | 1    | Knob-Ball                  |
| 28  | 1-633696 | 1    | Throttle Cable ASM         |
| 29  | 3296-2   | 2    | Nut-Lock                   |
| 30  | 106-9962 | 1    | Control-Choke, Push / Pull |
| 31  | 1-807513 | 2    | Bolt-CARR                  |



## Parking Brake Assembly

| Ref | Part No.    | Qty. | Description           |
|-----|-------------|------|-----------------------|
| 1   | 103-4695    | 2    | Motor-Wheel           |
| 1:1 | 1-000119    | 1    | Seal Kit              |
| 1:2 | 1-000138    | 1    | Bearing Kit           |
| 2   | 103-8503    | 8    | Spacer-Motor, Wheel   |
| 4   | 3253-7      | 8    | Washer-Lock           |
| 5   | 325-18      | 8    | Screw-HH              |
| 7   | 103-0131    | 8    | Nut-Square            |
| 12  | 110-5812    | 2    | Wheel Hub ASM         |
| 13  | 1-633102    | 2    | Bearing-Flange, Side  |
| 14  | 103-3116    | 1    | Shaft-Brake, Parking  |
| 15  | 107-9255-03 | 1    | Handle-Brake, Parking |
| 16  | 32151-48    | 1    | E-Ring                |
| 17  | 103-3960-03 | 1    | Brake                 |
| 18  | 32128-20    | 4    | Nut-HF                |
| 19  | 322-6       | 1    | Screw-HH              |
| 20  | 1-323161    | 1    | Spring-Idler          |
| 21  | 322-9       | 1    | Screw-HH              |
| 22  | 3290-357    | 8    | Nut-HHF, Whiz         |
| 23  | 98-5975     | 1    | Washer-Belleville     |
| 24  | 323-4       | 5    | Screw-HH              |
| 25  | 1-808285    | 2    | Pin-Clevis            |
| 26  | 3272-10     | 2    | Pin-Cotter            |
| 27  | 1-633268    | 1    | Grip-Lever, Brake     |
| 28  | 323-6       | 4    | Screw-HH              |

| Ref  | Part No. | Qty. | Description           |
|------|----------|------|-----------------------|
| 29   | 103-4335 | 1    | Brake Rod ASM         |
| 29:1 | 1-633131 | 2    | Yoke-Linkage, Brake   |
| 29:2 | 103-3907 | 1    | Linkage-Handle, Brake |
| 29:3 | 3219-3   | 2    | Nut-Hex               |
| 30   | 32136-5  | 2    | Nut-Hex, Slotted      |
| 31   | 1-806800 | 2    | Pin-Cotter            |
| 40   | 1-543396 | 2    | Wheel And Tire ASM    |
| 40:1 | 1-543680 | 1    | Tire                  |
| 40:2 | 1-513042 | 1    | Wheel                 |
| 41   | 242-50   | 8    | Nut-Lug               |

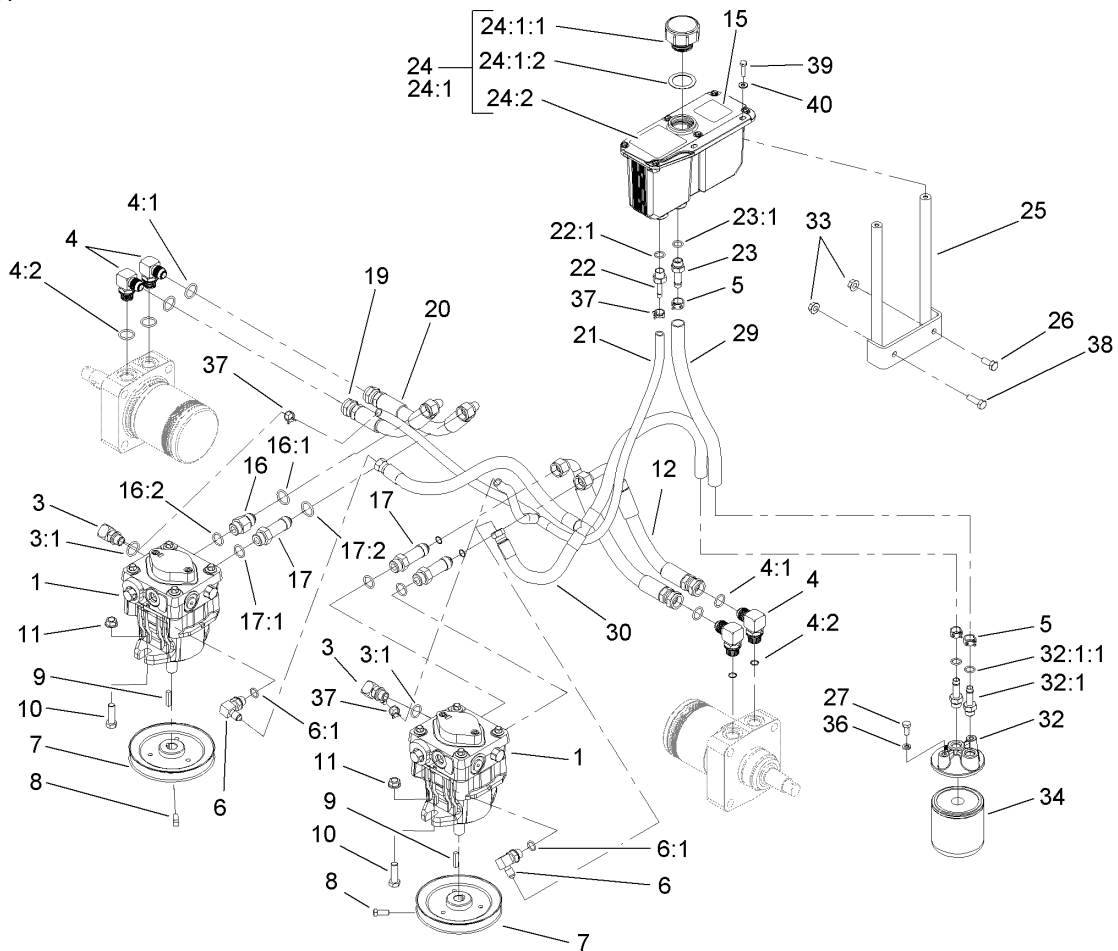


## Motion Control Assembly

| Ref  | Part No. | Qty. | Description            |
|------|----------|------|------------------------|
| 1    | 1-403180 | 2    | Screw-HH               |
| 2    | 103-4101 | 2    | Pin-Damper             |
| 3    | 3256-23  | 4    | Washer-Flat            |
| 4    | 32120-35 | 2    | E-Ring                 |
| 5    | 109-2339 | 2    | Damper-Control, Motion |
| 6    | 3296-29  | 6    | Nut-Lock, NI           |
| 7    | 1-633102 | 4    | Bearing-Flange, Side   |
| 8    | 103-4774 | 1    | Control-Motion, LH     |
| 9    | 32128-20 | 8    | Nut-HF                 |
| 10   | 103-4326 | 1    | Tracking Rod ASM       |
| 10:1 | 1-543017 | 1    | Balljoint-RH           |
| 10:2 | 3219-2   | 1    | Nut-Hex                |
| 10:3 | 103-3060 | 1    | Knob-Tracking          |
| 10:4 | 1-804524 | 2    | Nut                    |
| 10:5 | 1-323245 | 2    | Spring-Compression     |
| 10:6 | 1-633152 | 1    | Balljoint-Thread, LH   |
| 10:7 | 103-3066 | 1    | Link-Rod, Tracking     |
| 11   | 3256-3   | 4    | Washer-Flat            |
| 12   | 3217-6   | 2    | Nut-Hex                |
| 13   | 322-6    | 4    | Screw-HH               |
| 14   | 3290-357 | 6    | Nut-HHF, Whiz          |
| 15   | 103-0631 | 1    | LH Lever ASM           |
| 15:1 | 1-633257 | 1    | Grip-Control, Motion   |
| 16   | 3219-2   | 4    | Nut-Hex                |

| Ref  | Part No. | Qty. | Description            |
|------|----------|------|------------------------|
| 19   | 323-4    | 6    | Screw-HH               |
| 20   | 103-3717 | 2    | Arm-Control            |
| 21   | 1-803022 | 2    | Screw-Set              |
| 23   | 103-4773 | 1    | Control-Motion, RH     |
| 24   | 3296-39  | 6    | Nut-Lock, NI           |
| 25   | 103-0407 | 2    | Arm-Shaft, Control     |
| 26   | 98-5975  | 4    | Washer-Belleville      |
| 27   | 323-6    | 4    | Screw-HH               |
| 28   | 103-0632 | 1    | RH Lever ASM           |
| 28:1 | 1-633257 | 1    | Grip-Control, Motion   |
| 30   | 323-9    | 6    | Screw-HH               |
| 31   | 1-603737 | 2    | Bolt-Return, Neutral   |
| 32   | 1-603807 | 2    | Spring-Return, Neutral |
| 33   | 1-603735 | 2    | Bushing-Flanged        |
| 36   | 3256-2   | 2    | Washer-Flat            |
| 37   | 3220-2   | 2    | Nut-Jam                |
| 38   | 1-303105 | 2    | Yoke-Adjustable        |
| 39   | 1-808280 | 2    | Pin-Clevis             |
| 40   | 3272-5   | 2    | Pin-Cotter             |
| 41   | 103-4327 | 1    | Tracking ASM           |
| 41:1 | 1-543017 | 1    | Balljoint-RH           |
| 41:2 | 1-633152 | 1    | Balljoint-Thread, LH   |
| 41:3 | 1-804524 | 1    | Nut                    |
| 41:4 | 103-3066 | 1    | Link-Rod, Tracking     |



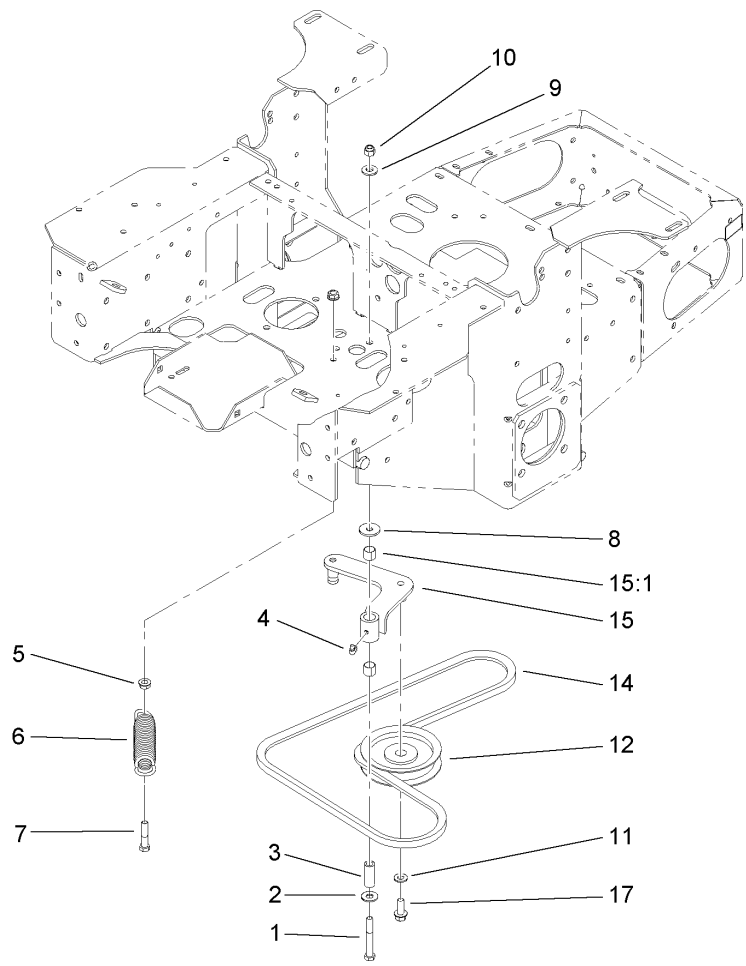


## Hydraulic System Assembly

| Ref  | Part No. | Qty. | Description         |
|------|----------|------|---------------------|
| 1    | 103-4040 | 2    | Pump-HYD            |
| 1:1  | 105-6184 | 1    | Overhaul Seal Kit   |
| 1:2  | 105-6185 | 1    | Plate-Valve         |
| 1:3  | 103-2664 | 1    | Input Shaft Kit     |
| 1:4  | 94-6922  | 1    | Bearing-Thrust      |
| 1:5  | 103-2666 | 1    | Cylinder Block Kit  |
| 1:7  | 106-2053 | 1    | Shock Valve Kit     |
| 3    | 103-1799 | 2    | Elbow-90 DEG        |
| 3:1  | 237-42   | 1    | O-Ring              |
| 4    | 103-2153 | 4    | Fitting-90 DEG      |
| 4:1  | 1-603920 | 1    | O-Ring              |
| 4:2  | 1-603992 | 1    | O-Ring              |
| 5    | 103-1988 | 3    | Clamp-Hose          |
| 6    | 103-1802 | 2    | Fitting-HYD, 90 DEG |
| 6:1  | 1-603921 | 1    | O-Ring              |
| 7    | 1-653156 | 2    | Pulley              |
| 8    | 1-803050 | 2    | Screw-Set           |
| 9    | 1-807272 | 2    | Key                 |
| 10   | 323-7    | 4    | Screw-HH            |
| 11   | 3290-357 | 5    | Nut-HHF, Whiz       |
| 12   | 103-4022 | 1    | Hose-Rear, LH       |
| 15   | 103-2644 | 1    | Decal-Exhaust       |
| 16   | 103-4020 | 1    | Adapter-Straight    |
| 16:1 | 1-603920 | 1    | O-Ring              |

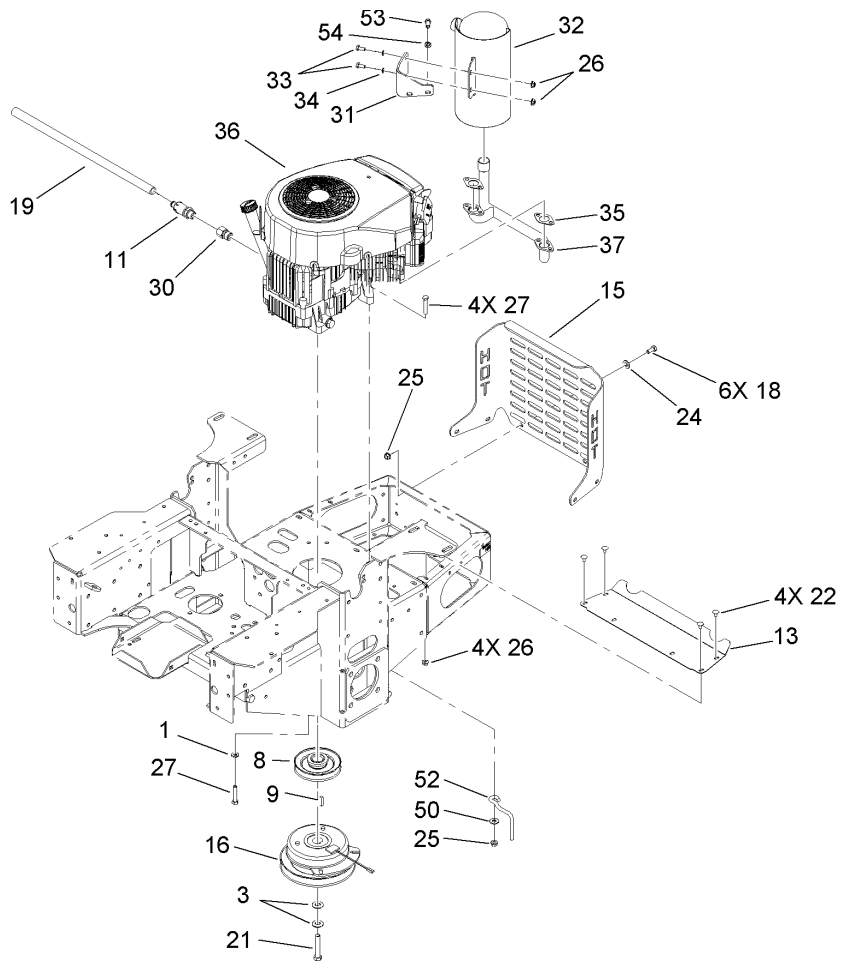
| Ref    | Part No.    | Qty. | Description           |
|--------|-------------|------|-----------------------|
| 16:2   | 1-603992    | 1    | O-Ring                |
| 17     | 103-1940    | 3    | Adapter-HYD, Straight |
| 17:1   | 237-79      | 1    | O-Ring                |
| 17:2   | 1-603992    | 1    | O-Ring                |
| 19     | 103-4021    | 1    | Hose-Rear, RH         |
| 20     | 1-653187    | 2    | Hose-Rear, RH         |
| 21     | 103-2357    | 1    | HYD Hose ASM          |
| 22     | 103-1801    | 1    | Adapter-Straight      |
| 22:1   | 237-42      | 1    | O-Ring                |
| 23     | 103-1912    | 1    | Adapter-Straight      |
| 23:1   | 237-42      | 1    | O-Ring                |
| 24     | 103-1947    | 1    | HYD Reservoir ASM     |
| 24:1   |             | 1    | Reservoir-HYD         |
| 24:1:1 | 103-1948    | 1    | Cap-Reservoir, HYD    |
| 24:1:2 | 103-1949    | 1    | Gasket-Cap            |
| 24:2   | 1-523552    | 1    | Decal-Tank, HYD       |
| 25     | 103-3071-03 | 1    | Stand-Reservoir       |
| 26     | 322-3       | 1    | Screw-HH              |
| 27     | 321-3       | 2    | Screw-HH              |
| 29     | 103-3077    | 1    | HYD Hose ASM          |
| 30     | 103-2930    | 1    | HYD Hose ASM          |
| 32     | 103-2889    | 1    | Filter Head ASM       |
| 32:1   | 103-1912    | 2    | Adapter-Straight      |
| 32:1:1 | 237-42      | 1    | O-Ring                |





### Pump Idler and Belt Assembly

| Ref  | Part No. | Qty. | Description       |
|------|----------|------|-------------------|
| 1    | 323-13   | 1    | Screw-HH          |
| 2    | 3256-4   | 1    | Washer-Flat       |
| 3    | 1-603044 | 1    | Bushing           |
| 4    | 302-40   | 1    | Fitting-Grease    |
| 5    | 3290-357 | 2    | Nut-HHF, Whiz     |
| 6    | 103-4480 | 1    | Spring-Extension  |
| 7    | 323-9    | 1    | Screw-HH          |
| 8    | 63-8410  | 1    | Washer            |
| 9    | 98-5975  | 1    | Washer-Belleville |
| 10   | 3296-39  | 1    | Nut-Lock, NI      |
| 11   | 3256-24  | 1    | Washer-Flat       |
| 12   | 1-603843 | 1    | Pulley-Idler      |
| 14   | 107-3959 | 1    | Belt-Cog          |
| 15   | 103-4482 | 1    | Idler Arm ASM     |
| 15:1 | 103-4681 | 2    | Sleeve-Bearing    |
| 17   | 3234-11  | 1    | Screw-HHF         |

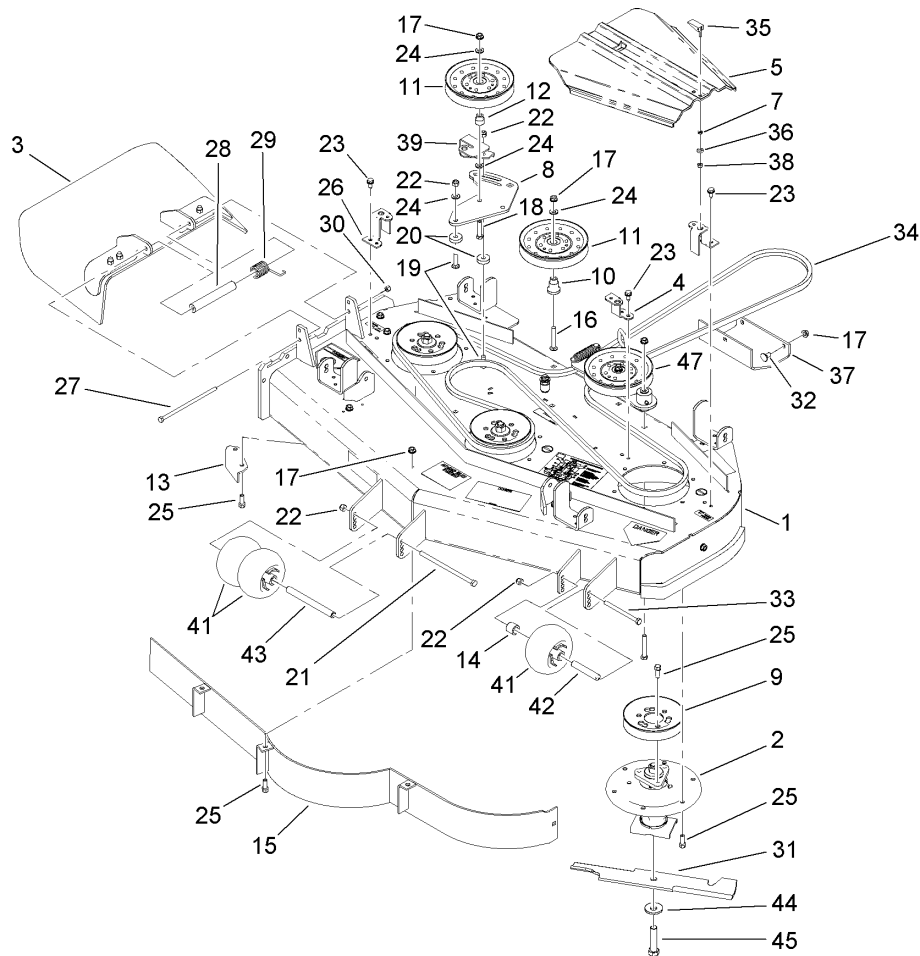


## Engine, Clutch and Muffler Assembly

| Ref          | Part No.    | Qty. | Description                  |
|--------------|-------------|------|------------------------------|
| 1            | 1-303334    | 4    | Washer-Spring                |
| 3            | 1-603610    | 2    | Washer-Spring                |
| 8            | 1-653035    | 1    | Pulley                       |
| 9            | 1-807259    | 1    | Key                          |
| 11           | 92-6877     | 1    | Valve-Drain, Oil             |
| 13           | 103-2740-03 | 1    | Deflector-Short              |
| 15           | 103-4048-03 | 1    | Bumper-Rear                  |
| 16           | 104-3624    | 1    | Clutch                       |
| 18           | 322-3       | 6    | Screw-HH                     |
| 19           | 106-7022    | 1    | Tube-Drain, Oil              |
| 21           | 3212-10     | 1    | Screw-HH                     |
| 22           | 3229-10     | 4    | Screw-CARR                   |
| 24           | 3256-24     | 6    | Washer-Flat                  |
| 25           | 32128-20    | 11   | Nut-HF                       |
| 26           | 32128-33    | 6    | Nut-HF                       |
| 27           | 322-9       | 5    | Screw-HH                     |
| 30           | 103-1966    | 1    | Adapter                      |
| 31           | 103-4578-03 | 1    | Bracket-Muffler              |
| 32           | 103-8106    | 1    | Muffler                      |
| 33           | 321-3       | 2    | Screw-HH                     |
| 34           | 1-303435    | 2    | Washer-Spring                |
| 35           | 1-653290    | 2    | Gasket                       |
| <b>24</b> 36 |             | 1    | Engine-Kawasaki, FH580V-As14 |
| 37           | 103-4577    | 1    | Manifold-Exhaust             |

| Ref | Part No.  | Qty. | Description |
|-----|-----------|------|-------------|
| 50  | 3256-3    | 1    | Washer-Flat |
| 52  | 108-1058  | 1    | Rod-Belt    |
| 53  | 33114-020 | 2    | Screw-HH    |
| 54  | 1-805005  | 2    | Washer-Lock |



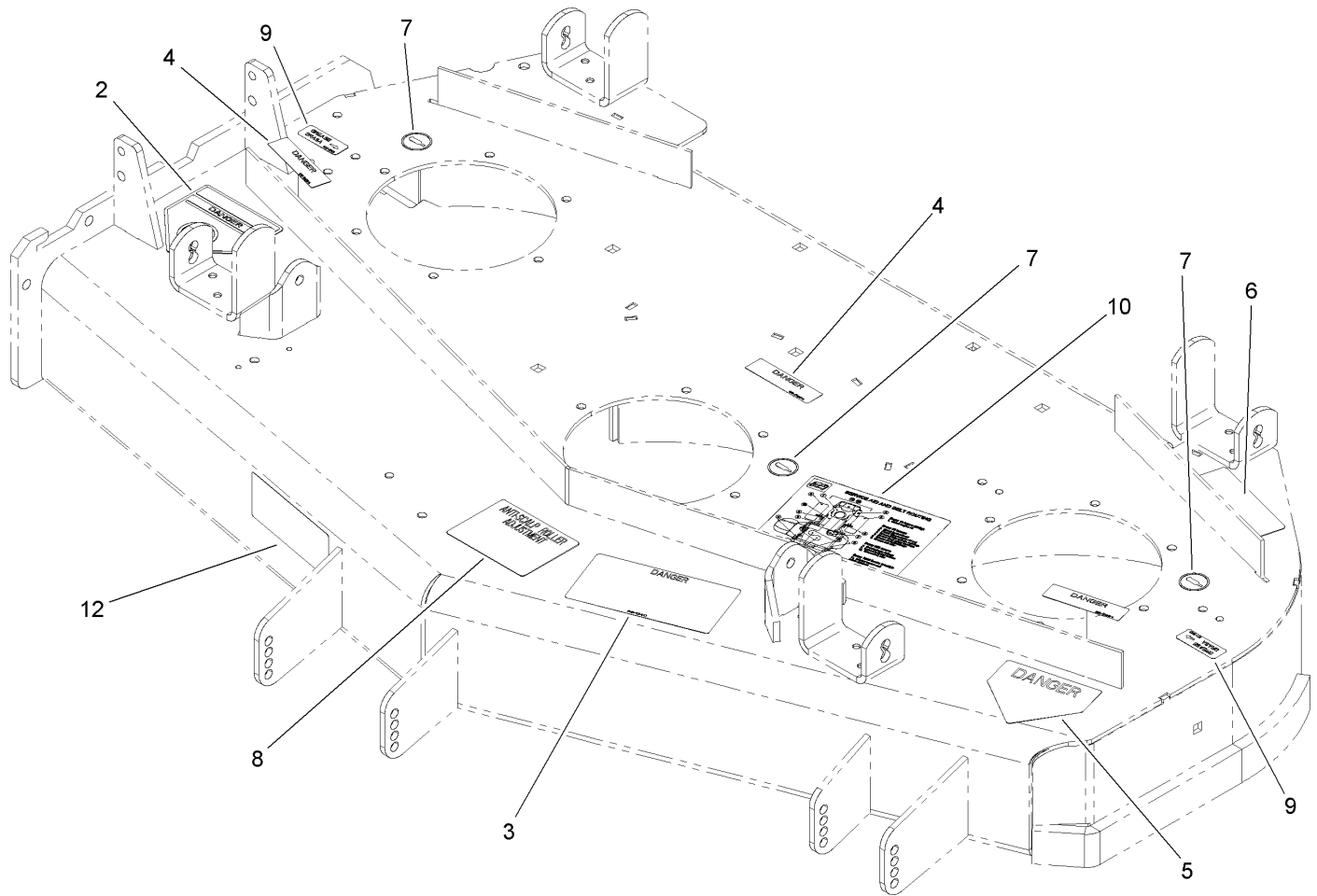


## Deck Assembly

| Ref | Part No.    | Qty. | Description          |
|-----|-------------|------|----------------------|
| 1   | 107-1666    | 1    | Deck Decal ASM       |
| 2   | 107-8504    | 3    | Spindle ASM          |
| 3   | 108-7770    | 1    | Rubber Deflector ASM |
| 4   | 108-2177-01 | 1    | Bracket-Cover, Tall  |
| 5   | 107-8536    | 2    | Cover-Belt           |
| 7   | 99-3058     | 2    | Washer               |
| 8   | 107-8516-01 | 1    | Plate-Idler          |
| 9   | 107-1684    | 3    | Pulley               |
| 10  | 106-3214    | 1    | Mount-Pulley         |
| 11  | 1-633109    | 2    | Idler-Flat           |
| 12  | 1-603496    | 1    | Bushing-Idler        |
| 13  | 107-8541-01 | 1    | Baffle-Discharge     |
| 14  | 98-7913     | 1    | Tube-Spacer          |
| 15  | 108-2187-01 | 1    | Baffle ASM           |
| 16  | 3231-31     | 1    | Screw-CARR           |
| 17  | 3290-357    | 32   | Nut-HHF, Whiz        |
| 18  | 323-9       | 1    | Screw-HH             |
| 19  | 3231-4      | 2    | Screw-CARR           |
| 20  | 105-7788    | 2    | Spacer               |
| 21  | 323-28      | 1    | Screw-HH             |
| 22  | 3296-39     | 4    | Nut-Lock, NI         |
| 23  | 32144-70    | 3    | Screw-HWHTF          |
| 24  | 3256-24     | 4    | Washer-Flat          |
| 25  | 92-1624     | 32   | Screw                |

| Ref | Part No.    | Qty. | Description                         |
|-----|-------------|------|-------------------------------------|
| 26  | 108-4121-01 | 2    | Bracket-Cover                       |
| 27  | 322-50      | 1    | Screw-HH                            |
| 28  | 105-4622    | 1    | Spacer                              |
| 29  | 108-4052    | 1    | Spring-Torsion                      |
| 30  | 3296-29     | 1    | Nut-Lock, NI                        |
| 31  | 107-3192-03 | 3    | Blade-Rotary, 16.5 Inch (High Flow) |
| 32  | 3231-1      | 7    | Screw-CARR                          |
| 33  | 323-23      | 1    | Screw-HH                            |
| 34  | 106-7369    | 1    | Belt-V                              |
| 35  | 106-6777    | 2    | Handle-Latch, Swell                 |
| 36  | 106-6778    | 2    | Bushing-Latch, Swell                |
| 37  | 107-3166-01 | 1    | Skid                                |
| 38  | 1-804254    | 2    | Nut                                 |
| 39  | 108-2228-01 | 1    | Bracket-Cover                       |
| 41  | 1-603299    | 3    | Roller-Scalp, Anti                  |
| 42  | 98-7912     | 1    | Tube-Spacer                         |
| 43  | 98-5967     | 1    | Spacer-Wheel                        |
| 44  | 103-0865    | 3    | Washer-Blade Bolt, Heavy            |
| 45  | 103-0862    | 3    | Screw-Cap                           |
| ②47 |             | 1    | Spring Idler ASM                    |
| ③99 | 107-3194-03 | 3    | Blade-Rotary, 16.5 Inch Med Flow    |
| ③99 | 107-3195-03 | 3    | Blade-Rotary, 16.5 Inch Atomic      |
| ③99 | 107-3196-03 | 3    | Blade-Rotary, 16.5 Inch Recycling   |



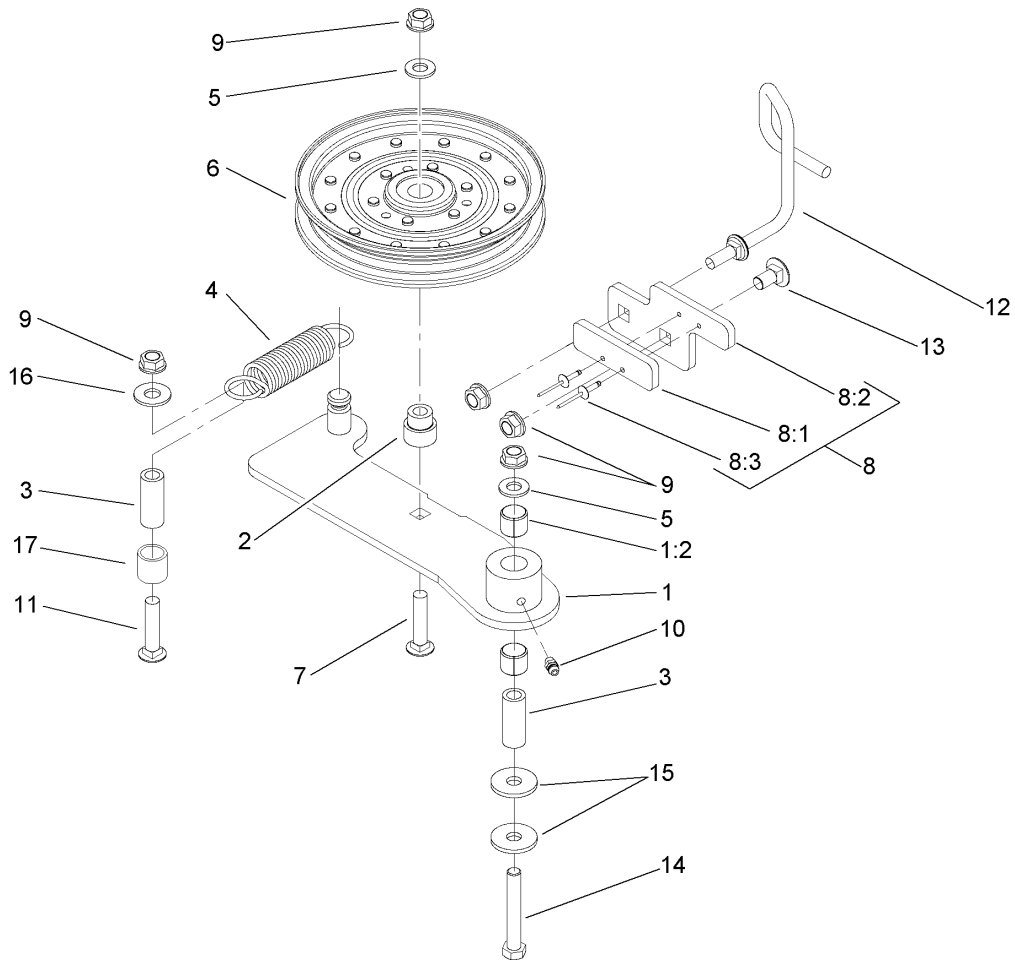


## Deck Decal Assembly No. 107-1666

| Ref | Part No. | Qty. | Description          |  |  |  |  |
|-----|----------|------|----------------------|--|--|--|--|
| 2   | 54-9220  | 1    | Decal-Danger         |  |  |  |  |
| 3   | 66-1340  | 1    | Decal-Danger         |  |  |  |  |
| 4   | 98-5954  | 3    | Decal-Cover, Missing |  |  |  |  |
| 5   | 1-403005 | 1    | Decal-Danger         |  |  |  |  |
| 6   | 68-8340  | 1    | Decal-Torque         |  |  |  |  |
| 7   | 58-6520  | 3    | Decal-Grease         |  |  |  |  |
| 8   | 105-7798 | 1    | Decal-Scalp, Anti    |  |  |  |  |
| 9   | 107-1613 | 2    | Decal-Grease         |  |  |  |  |
| 10  | 107-1687 | 1    | Decal-Aid, Service   |  |  |  |  |
| 12  | 107-1695 | 1    | Decal                |  |  |  |  |



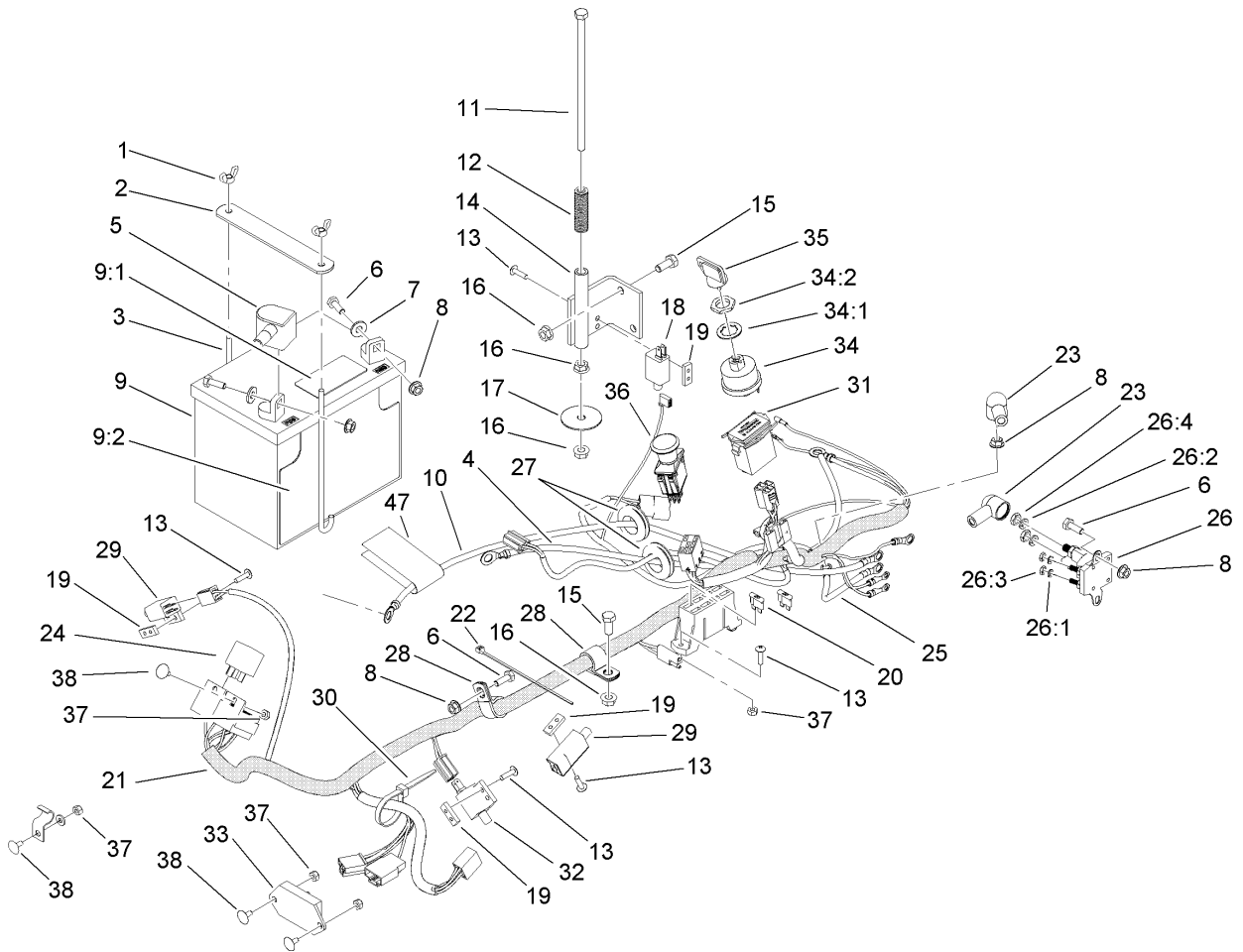




## Idler Assembly

| Ref | Part No.    | Qty. | Description      |
|-----|-------------|------|------------------|
| 1   | 108-4062    | 1    | Idler Arm ASM    |
| 1:2 | 103-4681    | 2    | Sleeve-Bearing   |
| 2   | 1-603496    | 1    | Bushing-Idler    |
| 3   | 1-603044    | 2    | Bushing          |
| 4   | 108-4056    | 1    | Spring-Extension |
| 5   | 3256-24     | 2    | Washer-Flat      |
| 6   | 1-633109    | 1    | Idler-Flat       |
| 7   | 3231-6      | 1    | Screw-CARR       |
| 8   |             | 1    | Stop Pad ASM     |
| 8:1 | 106-3229    | 1    | Pad-Bumper       |
| 8:2 | 107-1697-01 | 1    | Plate-Stop       |
| 8:3 | 3269-24     | 2    | Rivet            |
| 9   | 3290-357    | 5    | Nut-HHF, Whiz    |
| 10  | 302-5       | 1    | Fitting-Grease   |
| 11  | 3231-31     | 1    | Screw-CARR       |
| 12  | 108-4072    | 1    | Guide-Belt       |
| 13  | 3231-1      | 1    | Screw-CARR       |
| 14  | 323-12      | 1    | Screw-HH         |
| 15  | 2844        | 2    | Washer           |
| 16  | 3256-4      | 1    | Washer-Flat      |
| 17  | 108-4063    | 1    | Spacer-Rubber    |

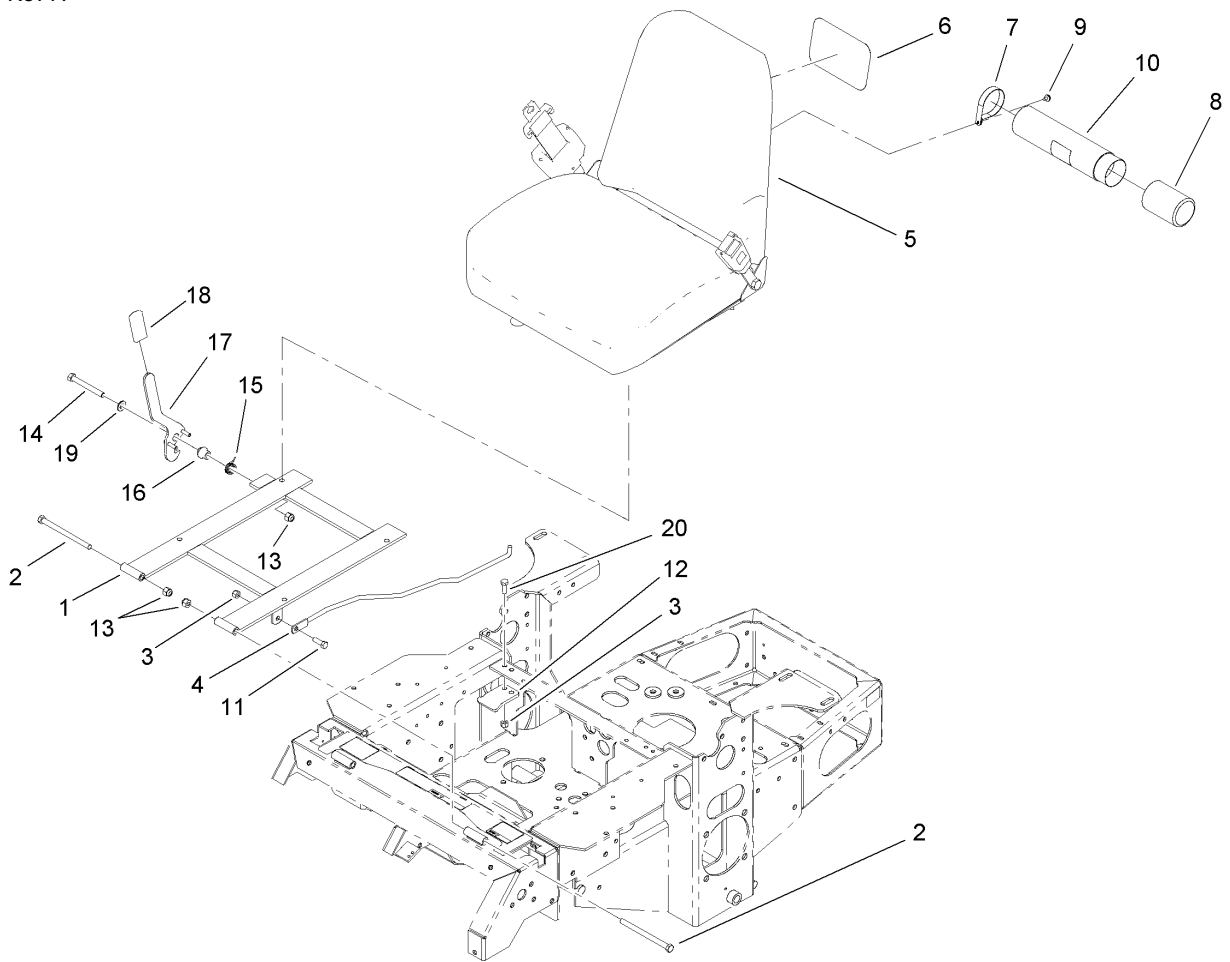
|  |  |  |  |
|--|--|--|--|
|  |  |  |  |
|  |  |  |  |
|  |  |  |  |
|  |  |  |  |



## Electrical System Assembly

| Ref | Part No.    | Qty. | Description             |
|-----|-------------|------|-------------------------|
| 1   | 1-543792    | 2    | Wingnut                 |
| 2   | 107-9277-03 | 1    | Strap-Holddown, Battery |
| 3   | 1-633651    | 2    | Bolt-Holddown           |
| 4   | 103-0705    | 1    | Cable-Ground, Negative  |
| 5   | 1-543391    | 1    | Insulator-Battery       |
| 6   | 321-4       | 6    | Screw-HH                |
| 7   | 3256-2      | 2    | Washer-Flat             |
| 8   | 32128-33    | 6    | Nut-HF                  |
| 9   | 105-1692    | 1    | Battery                 |
| 9:1 | 104-4163    | 1    | Decal-Battery           |
| 9:2 | 104-4164    | 1    | Decal-Battery           |
| 10  | 103-0707    | 1    | Cable-Battery, Positive |
| 11  | 1-800282    | 1    | Screw-HH                |
| 12  | 1-523415    | 1    | Spring-Switch, Seat     |
| 13  | 1-803075    | 10   | Screw-Head, Truss       |
| 14  | 1-652072-03 | 1    | Bracket-Switch, Seat    |
| 15  | 322-3       | 3    | Screw-HH                |
| 16  | 32128-20    | 5    | Nut-HF                  |
| 17  | 1-653036    | 1    | Washer                  |
| 18  | 1-513152    | 1    | Switch-Closed, Normally |
| 19  | 1-633181    | 4    | Plate-Tapped            |
| 20  | 1-816001    | 2    | Fuse-Blade Type, 20 Amp |
| 21  | 110-0318    | 1    | Harness-Electrical      |
| 22  | 1-303287    | 4    | Tie-Plastic             |

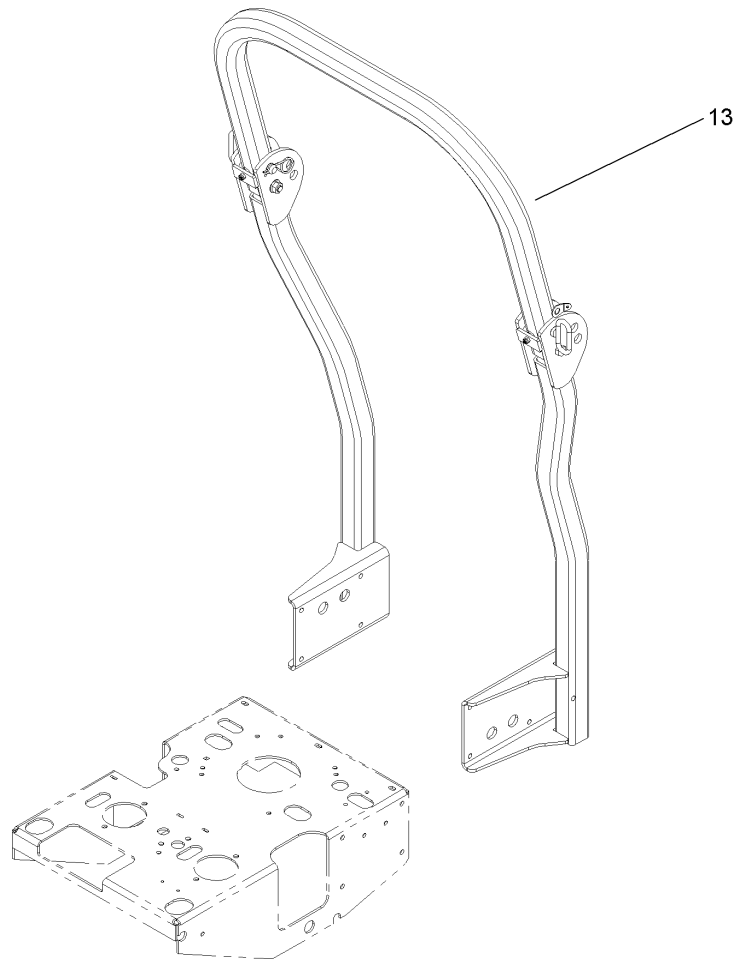
| Ref  | Part No. | Qty. | Description                  |
|------|----------|------|------------------------------|
| 23   | 1-543393 | 1    | Insulator-Solenoid           |
| 24   | 1-643275 | 2    | Relay                        |
| 25   | 1-633306 | 1    | Cable-Starter, Positive      |
| 26   | 1-513075 | 1    | Switch-Solenoid              |
| 26:1 | 3253-17  | 2    | Washer-Lock                  |
| 26:2 | 3253-4   | 2    | Washer-Lock                  |
| 26:3 | 3219-4   | 2    | Nut-Hex                      |
| 26:4 | 3220-2   | 2    | Nut-Jam                      |
| 27   | 1-543286 | 2    | Grommet                      |
| 28   | 1-633396 | 2    | Clip-Loom                    |
| 29   | 1-513051 | 2    | Switch-Open, Normally        |
| 30   | 1-303335 | 4    | Tie-Plastic                  |
| 31   | 1-513374 | 1    | Meter-Hour                   |
| 32   | 1-633111 | 1    | Switch                       |
| 33   | 100-6186 | 1    | Module-Delay, Seat           |
| 34   | 103-0206 | 1    | Switch-Starting, Key         |
| 34:1 | 3254-5   | 1    | Washer-Tooth                 |
| 34:2 | 218-461  | 1    | Nut-HH                       |
| 35   | 63-8360  | 2    | Key-Ignition                 |
| 36   | 103-5221 | 1    | Switch-PTO                   |
| 37   | 3296-2   | 6    | Nut-Lock                     |
| 38   | 1-807513 | 4    | Bolt-CARR                    |
| 47   | 107-9309 | 1    | Decal-Instructions, Charging |



## Seat and Bracket Assembly

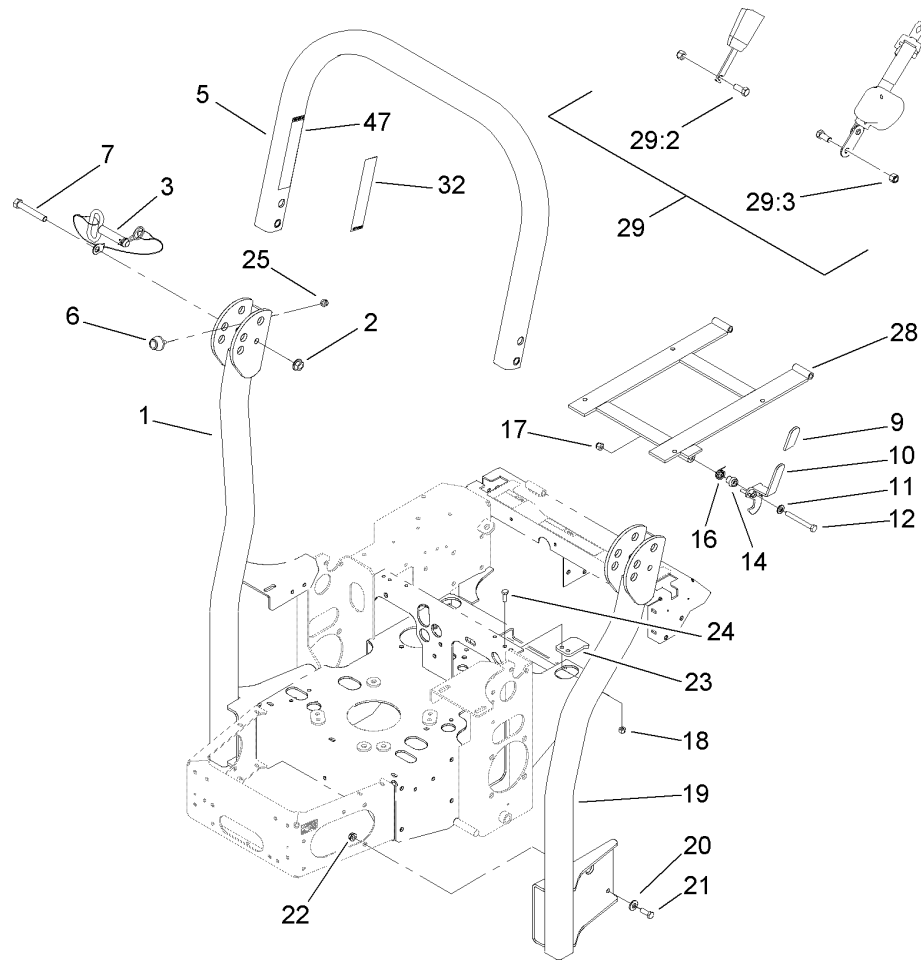
| Ref | Part No.    | Qty. | Description            |  |
|-----|-------------|------|------------------------|--|
| 1   | 107-3052-03 | 1    | Seat Support Frame ASM |  |
| 2   | 323-39      | 2    | Screw-HH               |  |
| 3   | 3296-29     | 3    | Nut-Lock, NI           |  |
| 4   | 103-1731    | 1    | Rod-Retainer, Seat     |  |
| 5   | 110-5738    | 1    | Seat ASM               |  |
| 6   | 99-4693     | 1    | Decal                  |  |
| 7   | 2412-120    | 2    | R-Clamp                |  |
| 8   | 104-7048    | 1    | Cap-Housing            |  |
| 9   | 32104-76    | 2    | Screw                  |  |
| 10  | 104-7050    | 1    | Housing-Manual         |  |
| 11  | 322-5       | 1    | Screw-HH               |  |
| 12  | 103-5961    | 1    | Catch-Latch, Seat      |  |
| 13  | 3296-39     | 3    | Nut-Lock, NI           |  |
| 14  | 323-20      | 1    | Screw-HH               |  |
| 15  | 107-0076    | 1    | Spring-Torsion         |  |
| 16  | 107-0075    | 1    | Bushing-Latch, Seat    |  |
| 17  | 107-3083    | 1    | Latch ASM              |  |
| 18  | 103-4434    | 1    | Grip-Lever             |  |
| 19  | 3256-24     | 1    | Washer-Flat            |  |
| 20  | 322-4       | 2    | Screw-HH               |  |





### Roll-Over Protection System Assembly

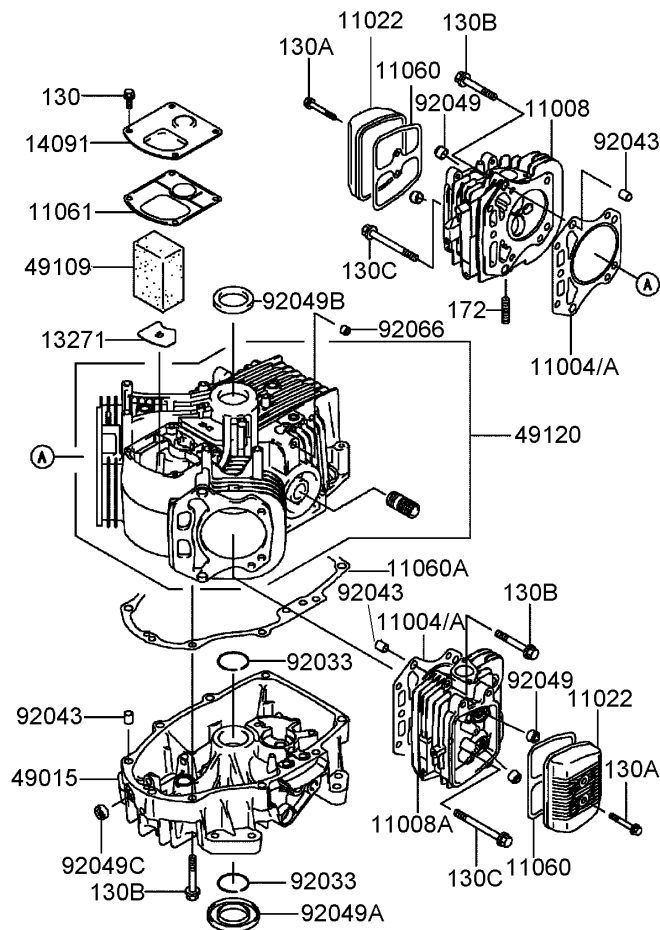
| Ref | Part No. | Qty. | Description |  |  |  |  |
|-----|----------|------|-------------|--|--|--|--|
| 13  | 107-8093 | 1    | ROPS ASM    |  |  |  |  |



## Roll-Over Protection System Assembly No. 107-8093

| Ref  | Part No.    | Qty. | Description              |
|------|-------------|------|--------------------------|
| ② 1  |             | 1    | LH Tube Support ASM      |
| 2    | 32128-23    | 2    | Nut-HF                   |
| 3    | 103-4553    | 2    | ROPS Fold Pin ASM        |
| ② 5  |             | 1    | Upper Tube ASM           |
| 6    | 109-2365    | 2    | Bumper-Rubber (W/Stud)   |
| 7    | 325-13      | 2    | Screw-HH                 |
| 9    | 103-4434    | 1    | Grip-Lever               |
| 10   | 107-3083    | 1    | Latch ASM                |
| 11   | 3256-24     | 1    | Washer-Flat              |
| 12   | 323-20      | 1    | Screw-HH                 |
| 14   | 107-0075    | 1    | Bushing-Latch, Seat      |
| 16   | 107-0076    | 1    | Spring-Torsion           |
| 17   | 3296-39     | 1    | Nut-Lock, NI             |
| 18   | 3296-29     | 2    | Nut-Lock, NI             |
| ② 19 |             | 1    | RH Tube Support ASM      |
| 20   | 98-5975     | 8    | Washer-Belleville        |
| 21   | 323-6       | 8    | Screw-HH                 |
| 22   | 3290-357    | 8    | Nut-HHF, Whiz            |
| 23   | 107-3059    | 1    | Catch-Latch, Seat        |
| 24   | 322-4       | 2    | Screw-HH                 |
| 25   | 3296-73     | 2    | Nut-Lock, NI             |
| 28   | 107-3052-03 | 1    | Seat Support Frame ASM   |
| 29   | 110-0883    | 1    | Retractable Seatbelt Kit |
| 29:2 | 3212-4      | 2    | Screw-HH                 |

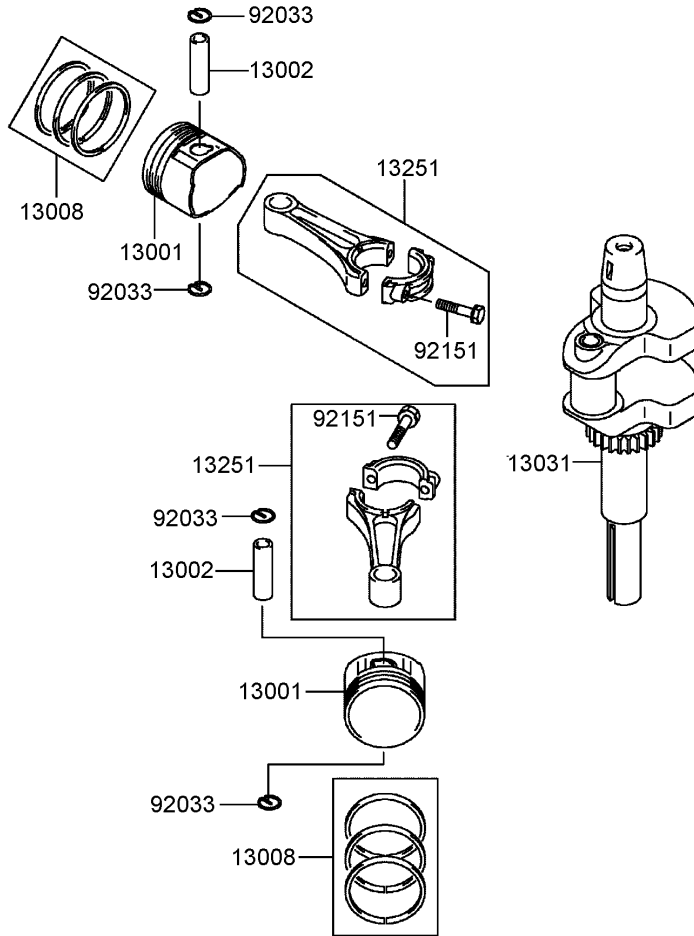
| Ref  | Part No. | Qty. | Description                      |
|------|----------|------|----------------------------------|
| 29:3 | 3296-7   | 2    | Nut-Lock                         |
| 32   | 107-3069 | 1    | Decal-Warning, Folding ROPS (Ce) |
| 47   | 107-2102 | 1    | Decal-Warning, Folding ROPS      |



## Cylinder and Crankcase Assembly Kawasaki FH580V-AS14

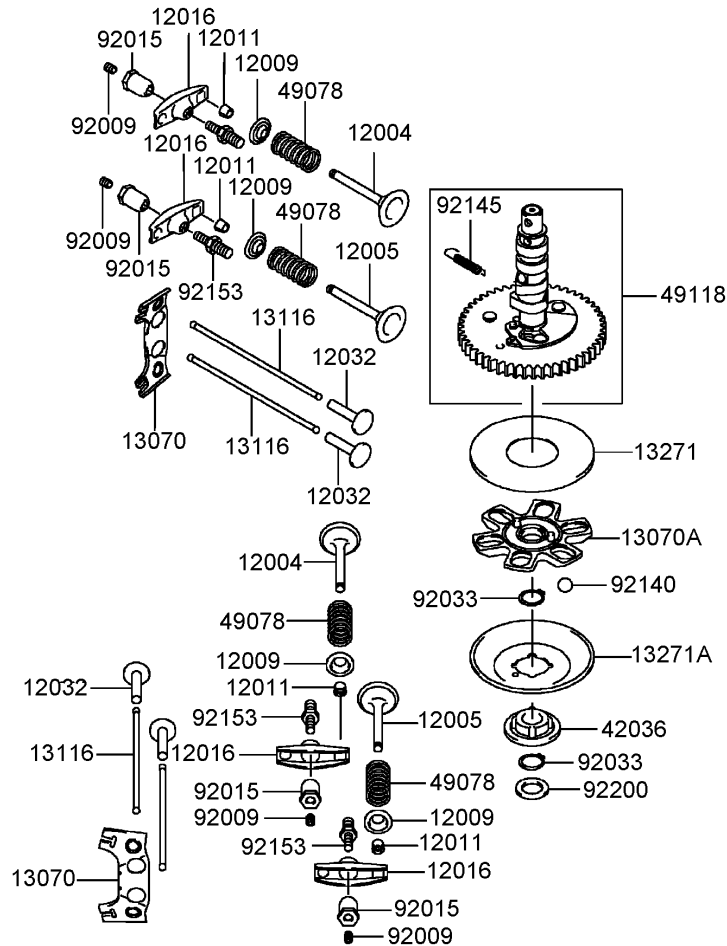
| Ref      | Part No.   | Qty. | Description                  |
|----------|------------|------|------------------------------|
| ④ 11004  | 11004-7010 | 1    | Gasket-Head                  |
| ④ 11004A | 11004-7016 | 2    | Gasket-Head                  |
| ④ 11008  | 11008-6043 | 1    | Head-Cylinder, No. 1         |
| ④ 11008A | 11008-7020 | 1    | Head-Cylinder, No. 2         |
| ④ 11022  | 11022-7003 | 2    | Case-Rocker                  |
| ④ 11060  | 11060-7001 | 2    | Gasket-Case, Rocker          |
| ④ 11060A | 11060-7008 | 1    | Gasket-Cover, Crankcase      |
| ④ 11061  | 11061-7001 | 1    | Gasket-Breather              |
| ④ 13271  | 13271-7016 | 1    | Plate                        |
| ④ 14091  | 14091-7006 | 1    | Cover                        |
| ④ 49015  | 49015-6253 | 1    | Cover-Crankcase              |
| ④ 49109  | 49109-7002 | 1    | Element-Breather             |
| ④ 49120  | 49120-7023 | 1    | Crankcase                    |
| ④ 92033  | 92033-7003 | 2    | Ring-Snap                    |
| ④ 92043  | 92043-7001 | 6    | Pin                          |
| ④ 92049  | 92049-7001 | 4    | Seal-Oil, Rvc2 (6X11X10.2)   |
| ④ 92049A | 92049-7015 | 1    | Seal-Oil, Sd (35X62X8 L HSH) |
| ④ 92049B | 92049-7016 | 1    | Seal-Oil, Sd (35X48X8 R HSH) |
| ④ 92049C | 92049-7019 | 1    | Seal-Oil, So (8X14X5 HSH)    |
| ④ 92066  | 92066-7002 | 1    | Plug                         |
| ④ 130    | 130B0612   | 4    | Bolt-Flanged                 |
| ④ 130A   | 130B0640   | 4    | Bolt-Flanged                 |
| ④ 130B   | 130T0850   | 17   | Bolt-Flanged                 |
| ④ 130C   | 130T0875   | 2    | Bolt-Flanged                 |

| Ref   | Part No. | Qty. | Description |
|-------|----------|------|-------------|
| ④ 172 | 172G0818 | 4    | Bolt-Stud   |



## Piston and Crankshaft Assembly Kawasaki FH580V-AS14

| Ref     | Part No.   | Qty. | Description        |  |  |  |  |
|---------|------------|------|--------------------|--|--|--|--|
| ④ 13001 | 13001-7010 | 2    | Piston-Engine      |  |  |  |  |
| ④ 13002 | 13002-7001 | 2    | Pin-Piston         |  |  |  |  |
| ④ 13008 | 13008-6060 | 2    | Ring Set-Piston    |  |  |  |  |
| ④ 13031 | 13031-7036 | 1    | Crankshaft         |  |  |  |  |
| ④ 13251 | 13251-7010 | 2    | Connecting Rod ASM |  |  |  |  |
| ④ 92033 | 92033-7005 | 4    | Ring-Snap          |  |  |  |  |
| ④ 92151 | 92151-7017 | 4    | Bolt (6X35)        |  |  |  |  |

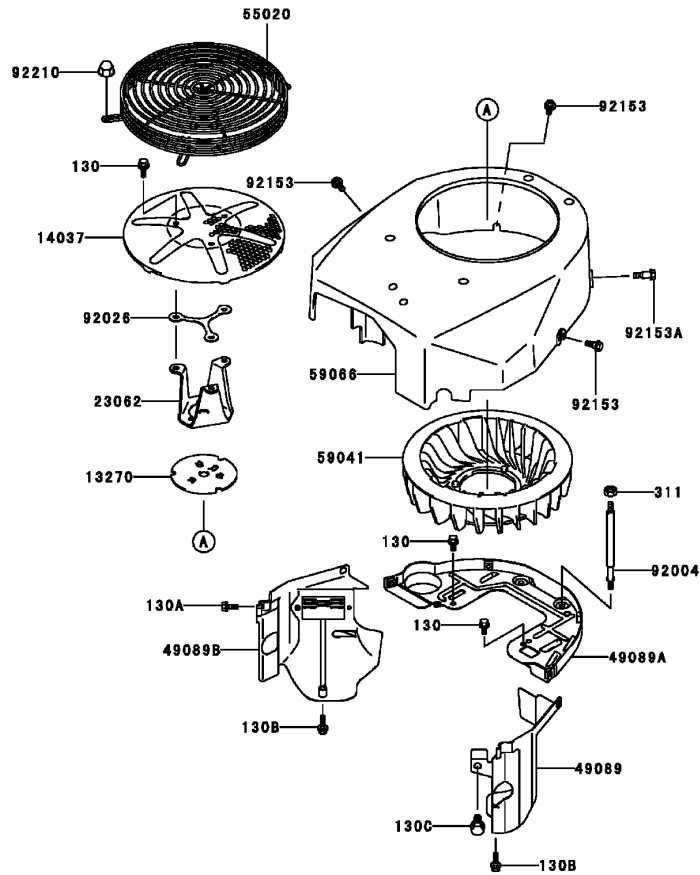


## Valve and Camshaft Assembly Kawasaki FH580V-AS14

| Ref      | Part No.   | Qty. | Description            |
|----------|------------|------|------------------------|
| ④ 12004  | 12004-7003 | 2    | Valve-Intake           |
| ④ 12005  | 12005-7003 | 2    | Valve-Exhaust          |
| ④ 12009  | 12009-7001 | 4    | Retainer-Spring, Valve |
| ④ 12011  | 12011-2056 | 8    | Collet                 |
| ④ 12016  | 12016-7001 | 4    | Arm-Rocker             |
| ④ 12032  | 12032-7001 | 4    | Tappet                 |
| ④ 13070  | 13070-7001 | 2    | Guide                  |
| ④ 13070A | 13070-7004 | 1    | Guide                  |
| ④ 13116  | 13116-2057 | 4    | Rod-Push               |
| ④ 13271  | 13271-7007 | 1    | Plate                  |
| ④ 13271A | 13271-7021 | 1    | Plate-Governor         |
| ④ 42036  | 42036-7009 | 1    | Sleeve                 |
| ④ 49078  | 49078-7001 | 4    | Spring-Valve, Engine   |
| ④ 49118  | 49118-7004 | 1    | Camshaft               |
| ④ 92009  | 92009-2341 | 4    | Screw                  |
| ④ 92015  | 92015-2253 | 4    | Nut                    |
| ④ 92033  | 92033-7001 | 2    | Ring-Snap              |
| ④ 92140  | 92140-7002 | 6    | Ball                   |
| ④ 92145  | 92145-7001 | 1    | Spring                 |
| ④ 92153  | 92153-7019 | 4    | Bolt                   |
| ④ 92200  | 92200-7001 | 1    | Washer                 |

|  |  |  |  |
|--|--|--|--|
|  |  |  |  |
|--|--|--|--|

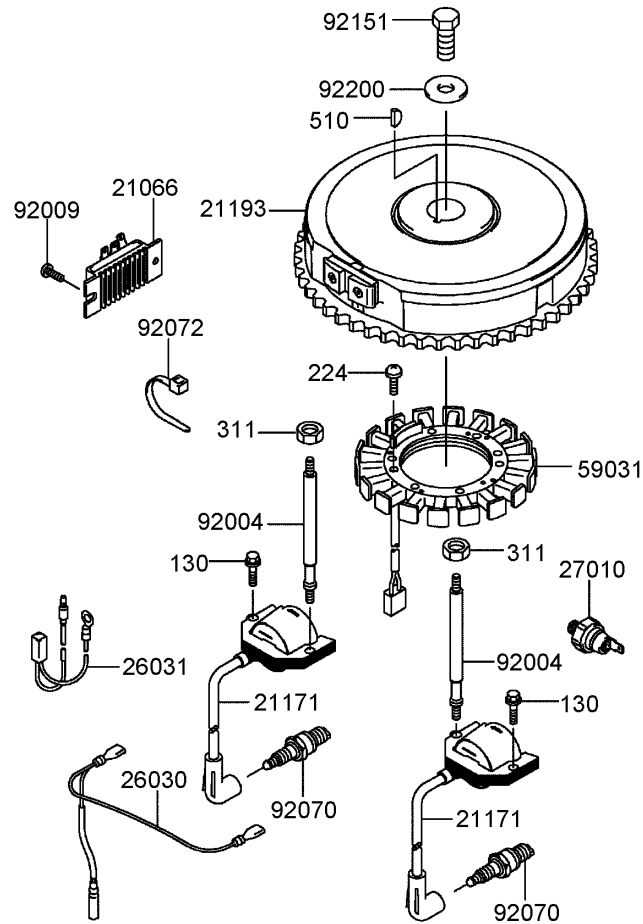




## Cooling Equipment Assembly Kawasaki FH580V-AS14

| Ref      | Part No.      | Qty. | Description   |
|----------|---------------|------|---------------|
| ④ 13270  | 13270-7007    | 1    | Plate         |
| ④ 14037  | 14037-7020-9H | 1    | Screen        |
| ④ 23062  | 23062-7010    | 1    | Bracket       |
| ④ 49089  | 49089-7002    | 1    | Shroud-Engine |
| ④ 49089A | 49089-7032    | 1    | Shroud-Engine |
| ④ 49089B | 49089-7034    | 1    | Shroud-Engine |
| ④ 55020  | 55020-7004    | 1    | Guard         |
| ④ 59041  | 59041-7010    | 1    | Fan           |
| ④ 59066  | 59066-7002    | 1    | Housing-Fan   |
| ④ 92004  | 92004-7006    | 2    | Stud          |
| ④ 92026  | 92026-7007    | 1    | Spacer        |
| ④ 92153  | 92153-7007    | 3    | Bolt          |
| ④ 92153A | 92153-7008    | 1    | Bolt          |
| ④ 92210  | 92210-0003    | 4    | Nut           |
| ④ 130    | 130B0612      | 5    | Bolt-Flanged  |
| ④ 130A   | 130B0616      | 2    | Bolt-Flanged  |
| ④ 130B   | 130B0625      | 2    | Bolt-Flanged  |
| ④ 130C   | 130B0816      | 1    | Bolt-Flanged  |
| ④ 311    | 311B0600      | 2    | Nut-Hex       |

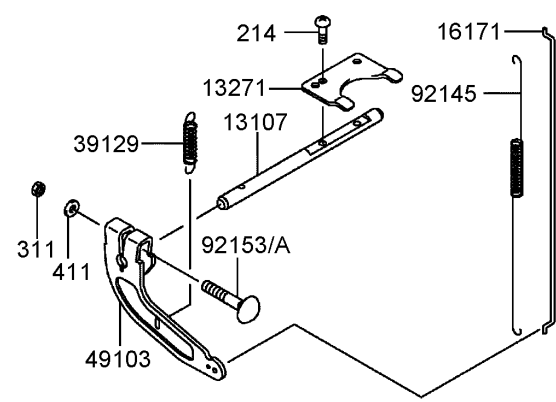
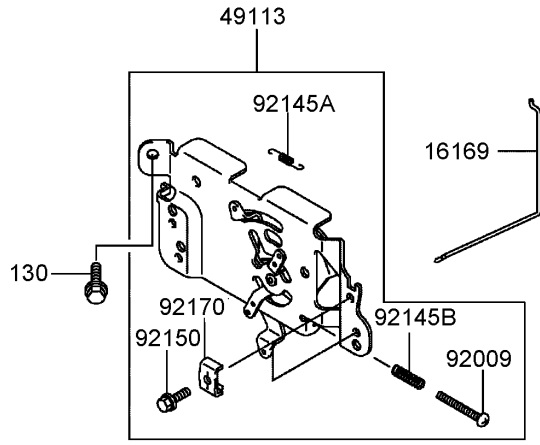
|  |  |  |  |
|--|--|--|--|
|  |  |  |  |
|--|--|--|--|



## Electrical Equipment Assembly Kawasaki FH580V-AS14

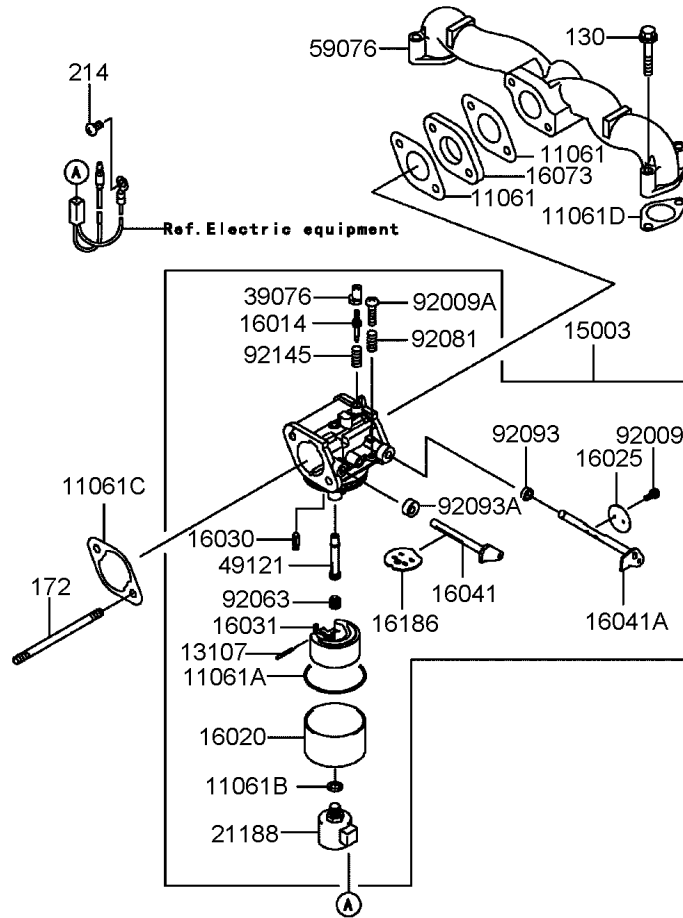
| Ref    | Part No.   | Qty. | Description               |
|--------|------------|------|---------------------------|
| ④21066 | 21066-7011 | 1    | Regulator-Voltage         |
| ④21171 | 21171-7013 | 2    | Ignition Coil ASM         |
| ④21193 | 21193-7007 | 1    | Flywheel ASM              |
| ④26030 | 26030-7001 | 1    | Harness                   |
| ④26031 | 26031-7002 | 1    | Harness                   |
| ④27010 | 27010-7001 | 1    | Switch                    |
| ④59031 | 59031-7001 | 1    | Coil-Charging             |
| ④92004 | 92004-7009 | 2    | Stud                      |
| ④92009 | 92009-2308 | 1    | Screw                     |
| ④92070 | 92070-7003 | 2    | Plug-Spark (Rcj8Y, Solid) |
| ④92072 | 92072-7003 | 2    | Band                      |
| ④92151 | 92151-2097 | 1    | Bolt (12X30)              |
| ④92200 | 92200-7002 | 1    | Washer                    |
| ④130   | 130B0620   | 2    | Bolt-Flanged              |
| ④224   | 224B0520   | 4    | Screw-Pan                 |
| ④311   | 311B0600   | 2    | Nut-Hex                   |
| ④510   | 510A5100   | 1    | Key-Woodruff              |

|  |  |  |  |
|--|--|--|--|
|  |  |  |  |
|--|--|--|--|



## Control Equipment Assembly Kawasaki FH580V-AS14

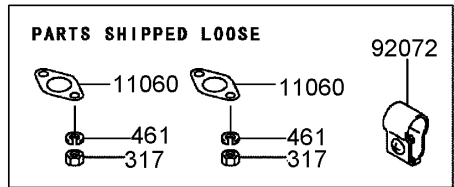
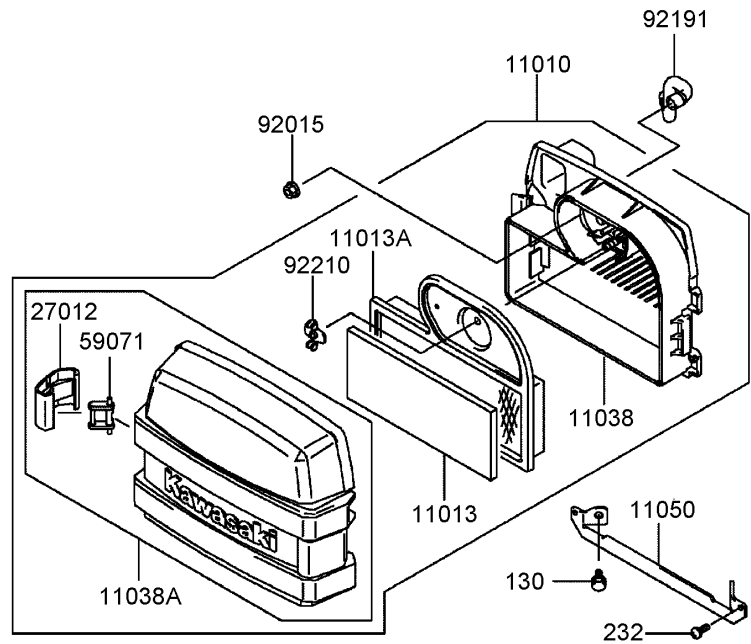
| Ref     | Part No.   | Qty. | Description     |  |  |  |  |
|---------|------------|------|-----------------|--|--|--|--|
| ④13107  | 13107-7010 | 1    | Shaft           |  |  |  |  |
| ④13271  | 13271-7018 | 1    | Plate           |  |  |  |  |
| ④16169  | 16169-7010 | 1    | Link-Choke      |  |  |  |  |
| ④16171  | 16171-7001 | 1    | Link            |  |  |  |  |
| ④39129  | 39129-7003 | 1    | Spring-Governor |  |  |  |  |
| ④49103  | 49103-7004 | 1    | Arm-Governor    |  |  |  |  |
| ④49113  | 49113-7011 | 1    | Panel-Control   |  |  |  |  |
| ④92009  | 92009-7007 | 1    | Screw (4X35)    |  |  |  |  |
| ④92145  | 92145-7003 | 1    | Spring          |  |  |  |  |
| ④92145A | 92145-7004 | 1    | Spring          |  |  |  |  |
| ④92145B | 92145-7005 | 1    | Spring          |  |  |  |  |
| ④92150  | 92150-2182 | 2    | Bolt (5X18)     |  |  |  |  |
| ④92153  | 92153-7005 | 1    | Bolt (6X35)     |  |  |  |  |
| ④92153A | 92153-7033 | 1    | Bolt (6X35)     |  |  |  |  |
| ④92170  | 92170-7001 | 2    | Clamp           |  |  |  |  |
| ④130    | 130B0612   | 2    | Bolt-Flanged    |  |  |  |  |
| ④214    | 214B0408   | 2    | Screw-Pan       |  |  |  |  |
| ④311    | 311B0600   | 1    | Nut-Hex         |  |  |  |  |
| ④411    | 411b0600   | 1    | Washer-Plain    |  |  |  |  |



## Carburetor Assembly Kawasaki FH580V-AS14

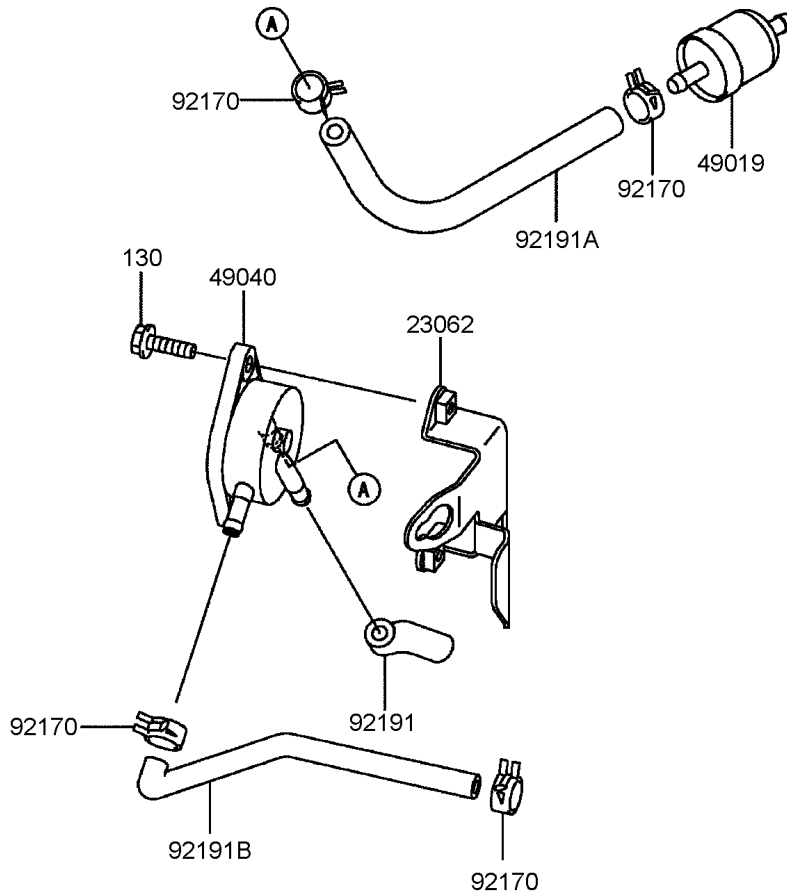
| Ref      | Part No.   | Qty. | Description                |
|----------|------------|------|----------------------------|
| ④ 11061  | 11061-7004 | 2    | Gasket-Insulator           |
| ④ 11061A | 11061-7009 | 1    | Gasket-Chamber             |
| ④ 11061B | 11061-7010 | 1    | Gasket-Screw               |
| ④ 11061C | 11061-7018 | 1    | Gasket-Cleaner, Air        |
| ④ 11061D | 11061-7019 | 2    | Gasket                     |
| ④ 13107  | 13107-7018 | 1    | Shaft                      |
| ④ 15003  | 15003-7081 | 1    | Carburetor ASM             |
| ④ 16014  | 16014-7004 | 1    | Screw-Air, Pilot           |
| ④ 16020  | 16020-7003 | 1    | Chamber-Float              |
| ④ 16025  | 16025-7006 | 1    | Valve-Throttle             |
| ④ 16030  | 16030-7003 | 1    | Valve-Float                |
| ④ 16031  | 16031-7002 | 1    | Float                      |
| ④ 16041  | 16041-7016 | 1    | Shaft-Choke, Carburetor    |
| ④ 16041A | 16041-7018 | 1    | Shaft-Throttle, Carburetor |
| ④ 16073  | 16073-7007 | 1    | Insulator                  |
| ④ 16186  | 16186-7004 | 1    | Choke Valve ASM            |
| ④ 21188  | 21188-7002 | 1    | Solenoid                   |
| ④ 39076  | 39076-7001 | 1    | Limiter                    |
| ④ 49121  | 49121-7004 | 1    | Nozzle-Main                |
| ④ 59076  | 59076-7001 | 1    | Manifold-Intake            |
| ④ 92009  | 92009-2083 | 2    | Screw                      |
| ④ 92009A | 92009-2349 | 1    | Screw                      |
| ④ 92063  | 92063-7037 | 1    | Jet-Main (No. 105)         |
| ④ 92081  | 92081-2234 | 1    | Spring                     |

| Ref      | Part No.   | Qty. | Description  |
|----------|------------|------|--------------|
| ④ 92093  | 92093-2100 | 1    | Seal         |
| ④ 92093A | 92093-7003 | 1    | Seal         |
| ④ 92145  | 92145-7015 | 1    | Spring       |
| ④ 130    | 130B0635   | 4    | Bolt-Flanged |
| ④ 172    | 172G0685   | 2    | Bolt-Stud    |
| ④ 214    | 214B0510   | 1    | Screw-Pan    |



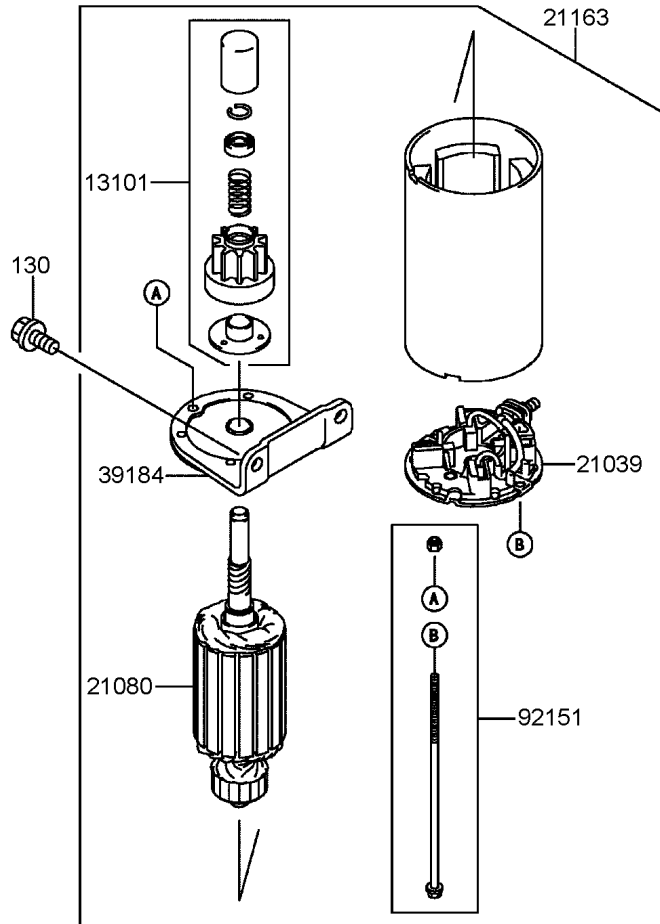
## Air Filter and Muffler Assembly Kawasaki FH580V-AS14

| Ref     | Part No.   | Qty. | Description         |
|---------|------------|------|---------------------|
| ④11010  | 11010-7013 | 1    | Air Filter ASM      |
| ④11013  | 11013-7001 | 1    | Element-Filter, Air |
| ④11013A | 11013-7002 | 1    | Element-Filter, Air |
| ④11038  | 11038-7006 | 1    | Air Filter Case ASM |
| ④11038A | 11038-7011 | 1    | Air Filter Case ASM |
| ④11050  | 11050-7006 | 1    | Bracket             |
| ④11060  | 11060-7021 | 2    | Gasket-Muffler      |
| ④27012  | 27012-7001 | 2    | Hook-Filter, Air    |
| ④59071  | 59071-7014 | 2    | Joint               |
| ④92015  | 92015-1193 | 2    | Nut                 |
| ④92072  | 92072-7009 | 1    | Band                |
| ④92191  | 92191-7001 | 1    | Tube                |
| ④92210  | 92210-7004 | 1    | Nut                 |
| ④130    | 130B0612   | 2    | Bolt-Flanged        |
| ④232    | 232B0514   | 2    | Screw-Pan           |
| ④317    | 317R0800   | 4    | Nut-Hex             |
| ④461    | 461F0800   | 4    | Washer-Spring       |



## Fuel Tank and Valve Assembly Kawasaki FH580V-AS14

| Ref      | Part No.      | Qty. | Description          |  |  |  |  |
|----------|---------------|------|----------------------|--|--|--|--|
| ④ 23062  | 23062-7004-9H | 1    | Bracket              |  |  |  |  |
| ④ 49019  | 49019-7001    | 1    | Filter-Fuel          |  |  |  |  |
| ④ 49040  | 49040-7001    | 1    | Pump-Fuel            |  |  |  |  |
| ④ 92170  | 92170-2088    | 4    | Clamp                |  |  |  |  |
| ④ 92191  | 92191-7002    | 1    | Tube                 |  |  |  |  |
| ④ 92191A | 92191-7003    | 1    | Tube (6.35X12.7X160) |  |  |  |  |
| ④ 92191B | 92191-7004    | 1    | Tube                 |  |  |  |  |
| ④ 130    | 130B0620      | 2    | Bolt-Flanged         |  |  |  |  |



## Starter Assembly Kawasaki FH580V-AS14

| Ref     | Part No.   | Qty. | Description      |
|---------|------------|------|------------------|
| ④ 13101 | 13101-7003 | 1    | Gear ASM         |
| ④ 21039 | 21039-7004 | 1    | Brush            |
| ④ 21080 | 21080-7001 | 1    | Armature         |
| ④ 21163 | 21163-7010 | 1    | Starter-Electric |
| ④ 39184 | 39184-7004 | 1    | Bracket ASM      |
| ④ 92151 | 92151-7013 | 1    | Bolt             |
| ④ 130   | 130B0816   | 2    | Bolt-Flanged     |



# Attachments and Accessories

## For 74418 - Z400 Z Master, With 48in 7-Gauge Side Discharge Mower

| Product Name                             | Model/Part |
|--|------------|
| Striping Kit .....                       | 106-3370   |
| Deck Lift Assist Kit .....               | 106-9749   |
| Deluxe Suspension Seat .....             | 107-1891   |
| Suspension Kit for Standard Seat .....   | 107-1892   |
| Z Stand Kit .....                        | 107-8599   |
| Bagging Enhancement Kit .....            | 108-4091   |
| Blade-Hi Flow, 16.5 Inch (6 Pack) .....  | 110-0414   |
| Blade-Lo Flow, 16.5 Inch (6 Pack) .....  | 110-0415   |
| Blade-Recycler, 16.5 Inch (6 Pack) ..... | 110-0416   |
| Blade-Atomic, 16.5 Inch (6 Pack) .....   | 110-0417   |
| Blade-Mid Flow, 16.5 Inch (6 Pack) ..... | 110-0418   |
| Hitch Kit .....                          | 99-8924    |

# NOTES

