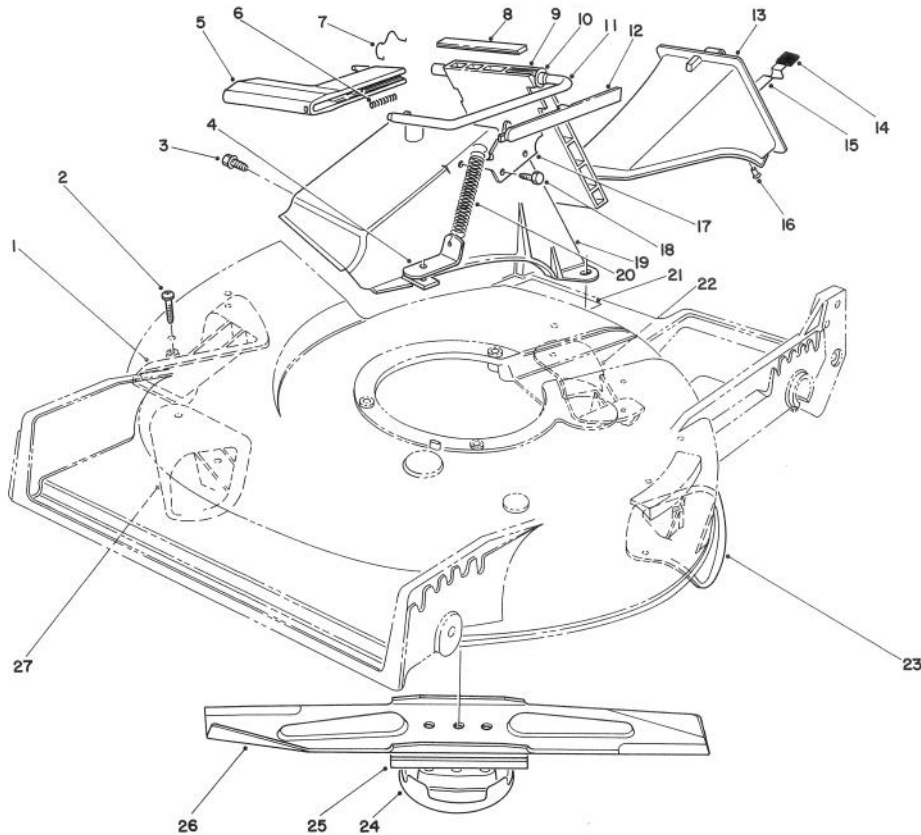




MODEL NO. 59171-000001 & UP	<b>PARTS CATALOG</b>
<b>RECYCLER™ KIT</b>	



## RECYCLER ASSEMBLY

C-0616

Ref. No.	Part No.	Description	No. Used
1	76-2130	Plate - Kicker Left Front	1
2	32104-130	Screw - Pan Hd.	8
3	46-6810	Screw - Hex Washer Hd. Thread Forming	1
4	80-3780	Bracket - Spring	1
5	46-3520	Handle - Door	1
6	46-7060	Spring - Compression	1
7	47-5840	Retainer - Door	1
8	46-6821	Cover - Door	1
9	46-3511	Door - Discharge	1
10	23-0880	Bushing	1
11	76-4580	Rod - Door	1
12	49-4170	Cover - Handle	1
13	77-0500	Plug Assembly (Incl. Ref. #14-16)	1
14	76-4650	Grip - Latch	1
15	76-4640	Latch - Plug	1
16	3295-35	Rivet	1

Ref. No.	Part No.	Description	No. Used
17	76-4570	Plate - Latch	1
18	46-8090	Screw - Hex Washer Hd. Self Tapping	2
19	46-3501	Tunnel - Discharge	1
20	76-4660	Spring - Door	1
21	80-3420	Decal	1
22	76-2150	Plate - Kicker Left Rear (S.P. Models Only)	1
*	76-2160	Plate - Kicker Left Rear (H.P. Models Only)	1
23	76-2140	Plate - Kicker Right Rear	1
24	80-2770	Anti - Scalp Cup	1
25	80-0510	Stiffener - Blade	1
26	14-1659	Blade Assembly (Incl. Ref. #25)	1
27	76-2120	Plate - Kicker Right Front	1
*	77-0200	Discharge Door Assembly (Incl. Ref. #5, 6, & 8-12)	1

\*Not Illustrated