



Workman[®] 3200

Model No. 07211TC - 230000001 and up.

Parts Catalog

Ordering Replacement Parts

To order replacement parts, please supply the part number, the quantity, and the description of each part desired.

Understanding Reference Numbers

Each Identified part in an illustration has a reference number. The reference number for a part also appears in the parts list, along with other information about the part.

This catalog uses two special reference number formats, one to indicate parts in a service assembly and another to indicate the quantity of a given part in an illustration.

Service Assembly Reference Numbers

Parts in service assemblies have reference numbers in the form a:b. The a represents the reference number of the entire service assembly and the b represents a sequential number unique to each part within the service assembly.

For example, a wheel assembly might be identified by reference number 6, the tire by 6:1, the valve by 6:2, and the wheel by 6:3. When you order the assembly identified by reference number 6, you receive all parts identified by reference numbers 6:1, 6:2, and 6:3. However, you may also order any part individually. Reference numbers of this type appear in illustrations and in part lists.

Reference Numbers Indicating Quantity

In an illustration, if a reference number indicates more than one part, the reference number has the form nX y. The n represents the quantity of the part, the X is the multiplication symbol, and the y represents the reference number.

For example, in an illustration, the reference number 2X 37 means that two of the parts identified by reference number 37 are indicated.

Contents

Description	Page	Description	Page
Hood and Bumper Assembly 4	Hydraulic Filter Assembly 37
Operator Frame Assembly No. 105-4218 5	Battery Assembly 38
Dash Panel Assembly 6	Fuel Tank and Air Cleaner Assembly 39
Steering Assembly 7	Air Cleaner Assembly No. 106-6732 40
2wd Steering Gear Assembly No. 105-9538-01 8	Lift Valve Linkage Assembly 41
Brake and Accelerator Assembly 10	Differential Lock and Parking Brake Assembly 42
Master Cylinder Assembly No. 94-3800 11	Remote Hydraulic Assembly 43
Hydraulic Brake Assembly 12	Hydraulic Valve Assembly No. 43-1710-01 44
Clutch Linkage Assembly 13	Remote Hydraulics 45
Shroud and Seat Assembly 14	Full Bed and Side Panel Assembly 47
Roll-Over-Protection-System Assembly 15	Transaxle Case Assembly No. 105-4180 48
Front Wheel Assembly 16	Transaxle Gear Shaft Assembly No. 105-4180 49
RH Front Brake Assembly No. 87-3010 17	Shift Fork Assembly No. 105-4180 50
LH Front Brake Assembly No. 87-3020 18	Differential Gear Assembly No. 105-4180 51
Tie Rod Assembly 19	Countershaft Assembly Transaxle Assembly No. 105-4180 52
Center Console Assembly 20	Cylinder Assembly 53
Front Suspension Assembly 21	Crankshaft Assembly 54
Front Control Arm Assembly 22	Cylinder Head Assembly 55
Lift Valve and Cylinder Assembly 23	Manifold Assembly 56
Hydraulic Valve Assembly No. 43-1950-03 24	Carburetor Assembly 57
Hydraulic Gear Pump Assembly No. 87-5700 25	Cam Shaft Assembly 58
Rear Frame Assembly 26	Oil Pan Assembly 59
Rear Axle Assembly 27	Gear Cover Assembly 60
LH Rear Brake Assembly No. 93-7126 28	Gear Housing Assembly 61
RH Rear Brake Assembly No. 93-7125 29	Water Pump Assembly 62
Driveshaft Assembly No. 98-2918 30	Governor Assembly 63
Radiator and Hydraulic Pump Assembly 31	Alternator Assembly 64
Fan and Hydraulic Pump Drive Assembly 32	Starter Motor Assembly 65
Tail Light and Fender Assembly 33	Ignition Assembly 66
Engine Assembly 34	Gasket Assembly 67
Engine Support Assembly 35		
Transaxle Assembly 36		

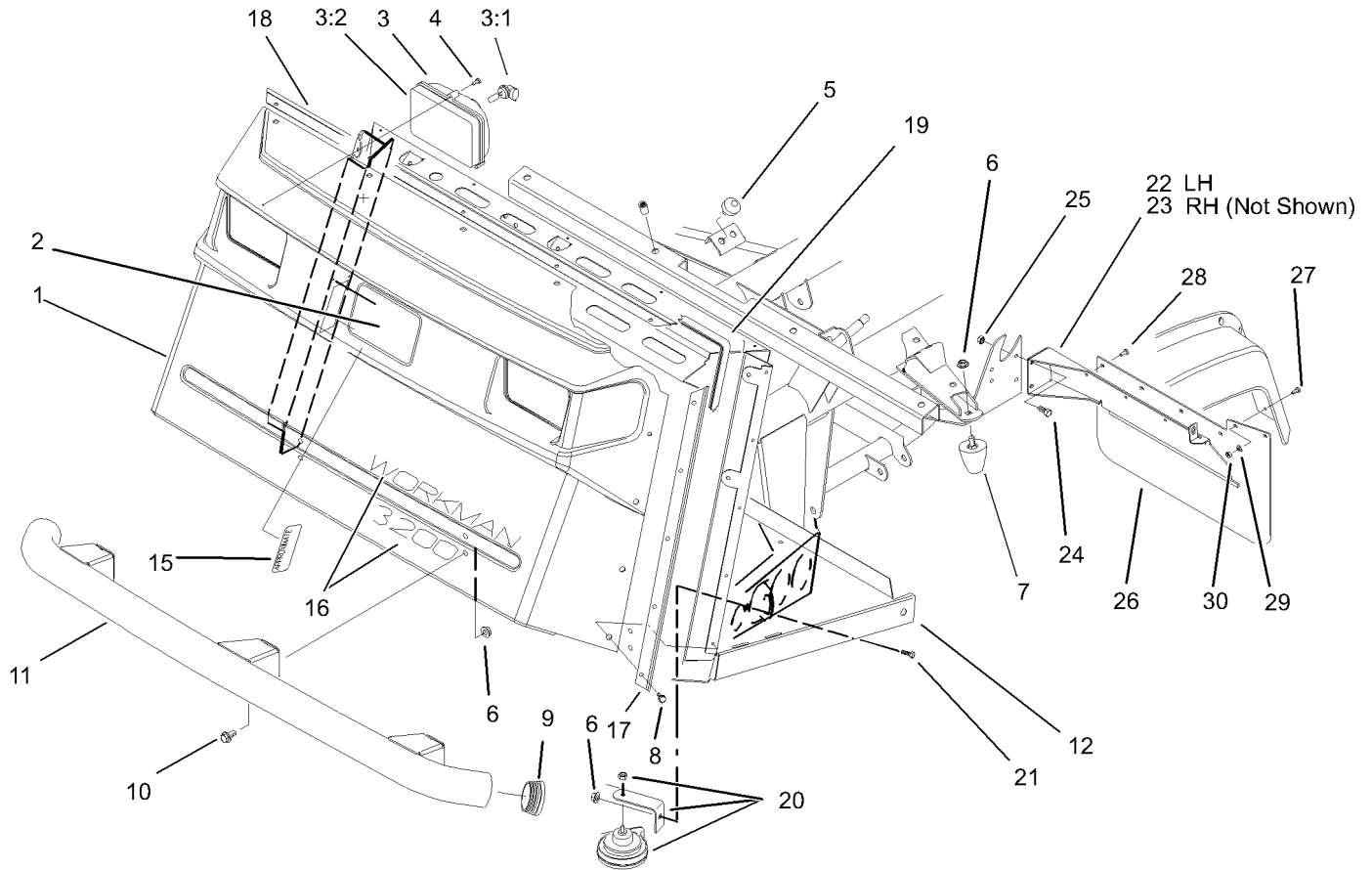
Part Description Abbreviations

Part descriptions in this catalog may include the following abbreviations.

AR.	as required	HYD.	hydraulic
ASM.	assembly	LH.	left hand
BBC.	blade brake clutch	NI.	nylon insert
CARR.	carriage	NPTF.	national pipe thread fine
DEG.	degrees	PFH.	phillips flat head
EXT.	external	PPH.	phillips pan head
FH.	flat head	PPHTF.	phillips pan head thread forming
GA.	gauge	PRH.	phillips round head
HD.	heavy-duty	PTH.	phillips truss head
HF.	hex flange	PTO.	power-take-off
HH.	hex head	RH.	right hand
HHF.	hex head flange	ROPS.	roll-over protection system
HHFTF.	hex head flange thread forming	SFH.	slotted fillister head
HJ.	hex jam	SHH.	slotted hex head
HLH.	hex lag head	SHWH.	slotted hex washer head
HOC.	height-of-cut	SPH.	slotted pan head
HSBH.	hex socket button head	SQH.	square head
HSFH.	hex socket flat head	SRH.	slotted round head
HSH.	hex socket head	STD.	standard
HWH.	hex washer head	TAP.	self tapping
HWHTF.	hex washer head thread forming	TTH.	torx truss head

Footnotes

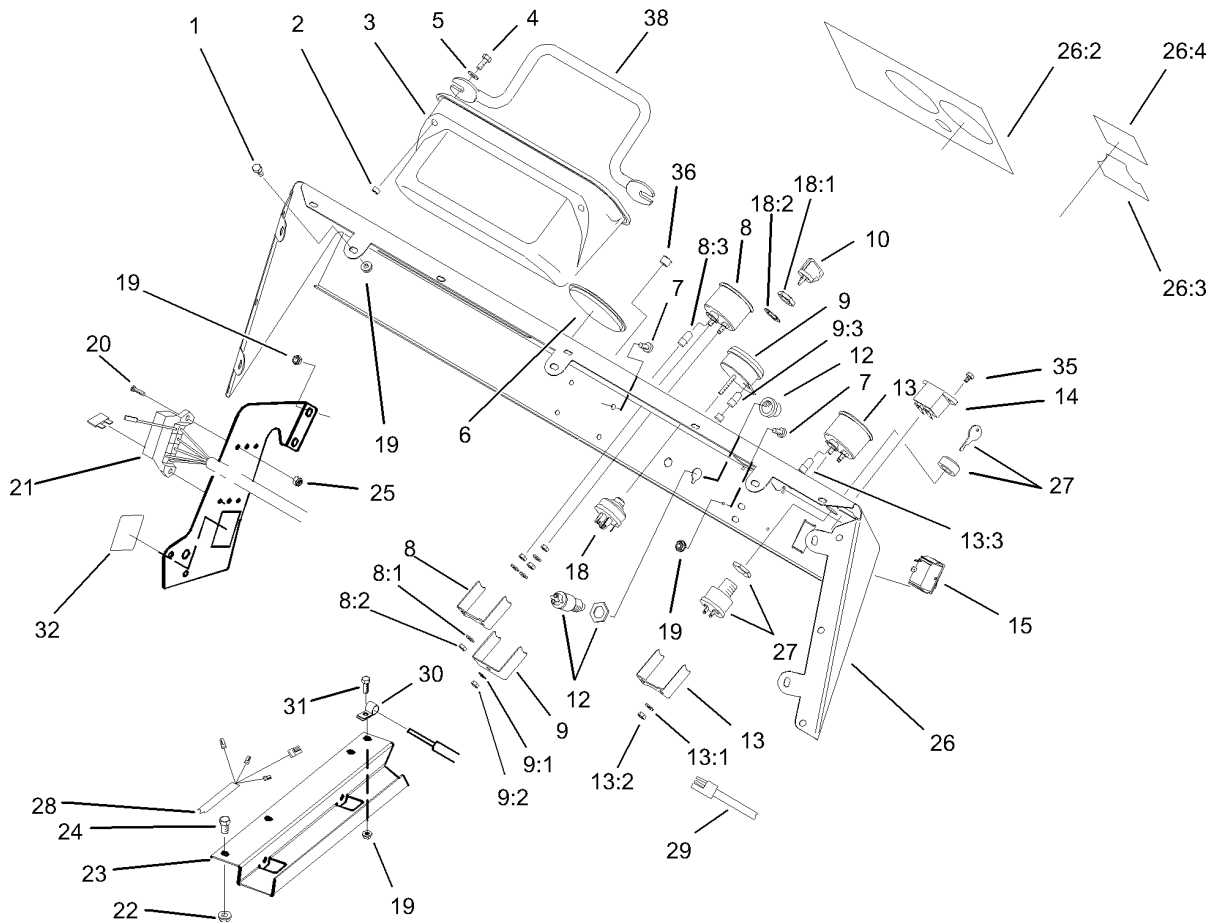
- ❶ Not serviced separately



Hood and Bumper Assembly

Ref	Part No.	Qty.	Description
1	87-0710	1	Hood-Front
2	62-5550	1	Decal
3	87-2120	2	Headlight
3:1	95-0909	1	Lamp-12 Volt
3:2	87-6330	1	Lens-Headlight
4	32104-88	6	Screw-HWH
5	87-2440	2	Bumper-Rubber
6	3290-357	9	Nut-HHF, Whiz
7	26-0071	2	Snubber-Rubber
8	87-6620	15	Screw
9	2410-42	2	Cap-End
10	3234-1	6	Screw-HHF
11	87-4070-03	1	Bumper ASM
12	105-4218	1	Operator Frame ASM
15	94-1224	1	Decal-Load Rating
16	87-6700	1	Decal-Workman, 3200
17	87-8120-03	2	Bracket-Trim, Side
18	87-8130-03	1	Bracket-Trim, Top
19	87-8160	1	Trim-Lok
20	116749	1	Horn
21	323-4	1	Screw-HH
22	94-3838-03	1	Bracket-Mudflap, LH
23	94-3839-03	1	Bracket-Mudflap, RH
24	321-4	4	Screw-HH

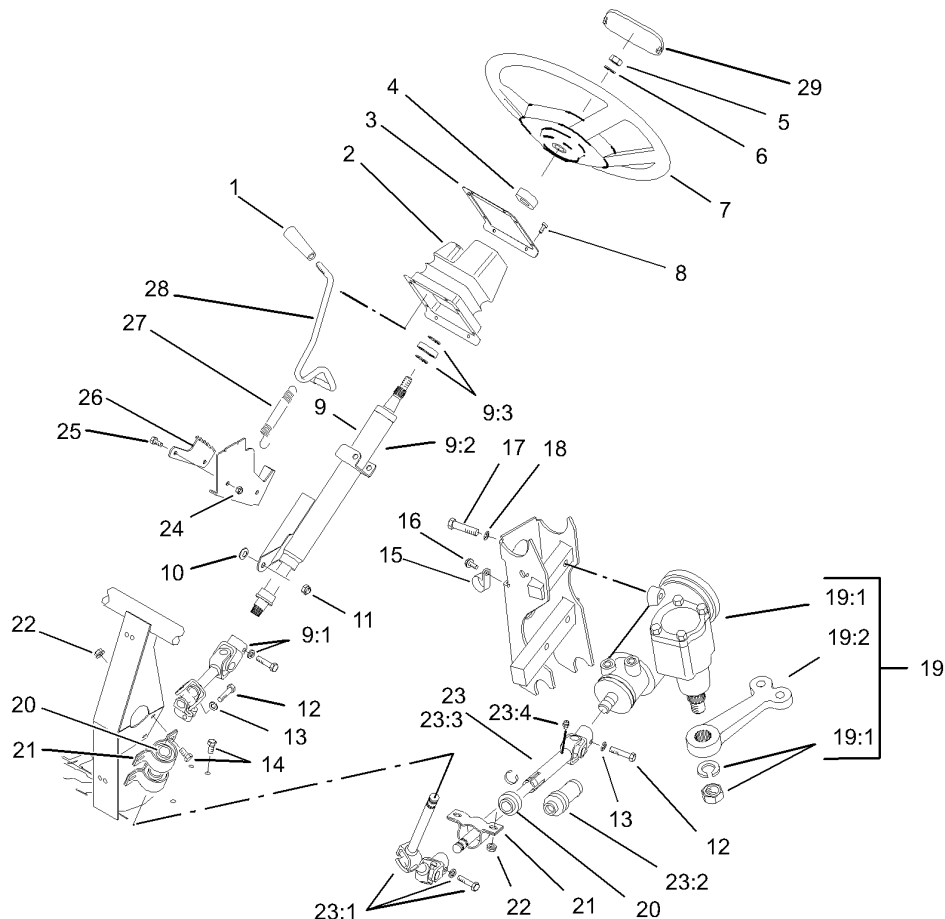
Ref	Part No.	Qty.	Description
25	32128-33	4	Nut-HF
26	94-3841	2	Mudflap
27	3250-13	4	Screw-PPH
28	146489	8	Rivet
29	3256-61	4	Washer-Flat
30	3296-2	4	Nut-Lock



Dash Panel Assembly

Ref	Part No.	Qty.	Description
1	321-2	7	Screw-HH
2	32148-6	2	Insert-Nut
3	87-3780	1	Box-Glove
4	321-5	2	Screw-HH
5	3256-22	2	Washer-Flat
6	2410-35	1	Plug-Cap
7	3274-31	4	Screw-HSBH
8	105-2540	1	Gauge-Temp, Gas
8:1	3254-1	3	Washer-Lock, Int
8:2	3217-27	3	Nut-Hex
8:3	105-9265	1	Bulb And Lamp ASM
9	98-9306	1	Light-Warning
9:1	3254-1	1	Washer-Lock, Int
9:2	3217-27	1	Nut-Hex
9:3	105-9264	4	Bulb And Lamp ASM
10	63-8360	1	Key-Ignition
12	18-2830	1	Button-Horn
13	98-9339	1	Gauge-Fuel
13:1	3254-1	3	Washer-Lock, Int
13:2	3217-27	3	Nut-Hex
13:3	105-9265	1	Bulb And Lamp ASM
14	75-6820	1	Hourmeter
15	87-3790	1	Switch-Light
18	27-2360	1	Switch-Key

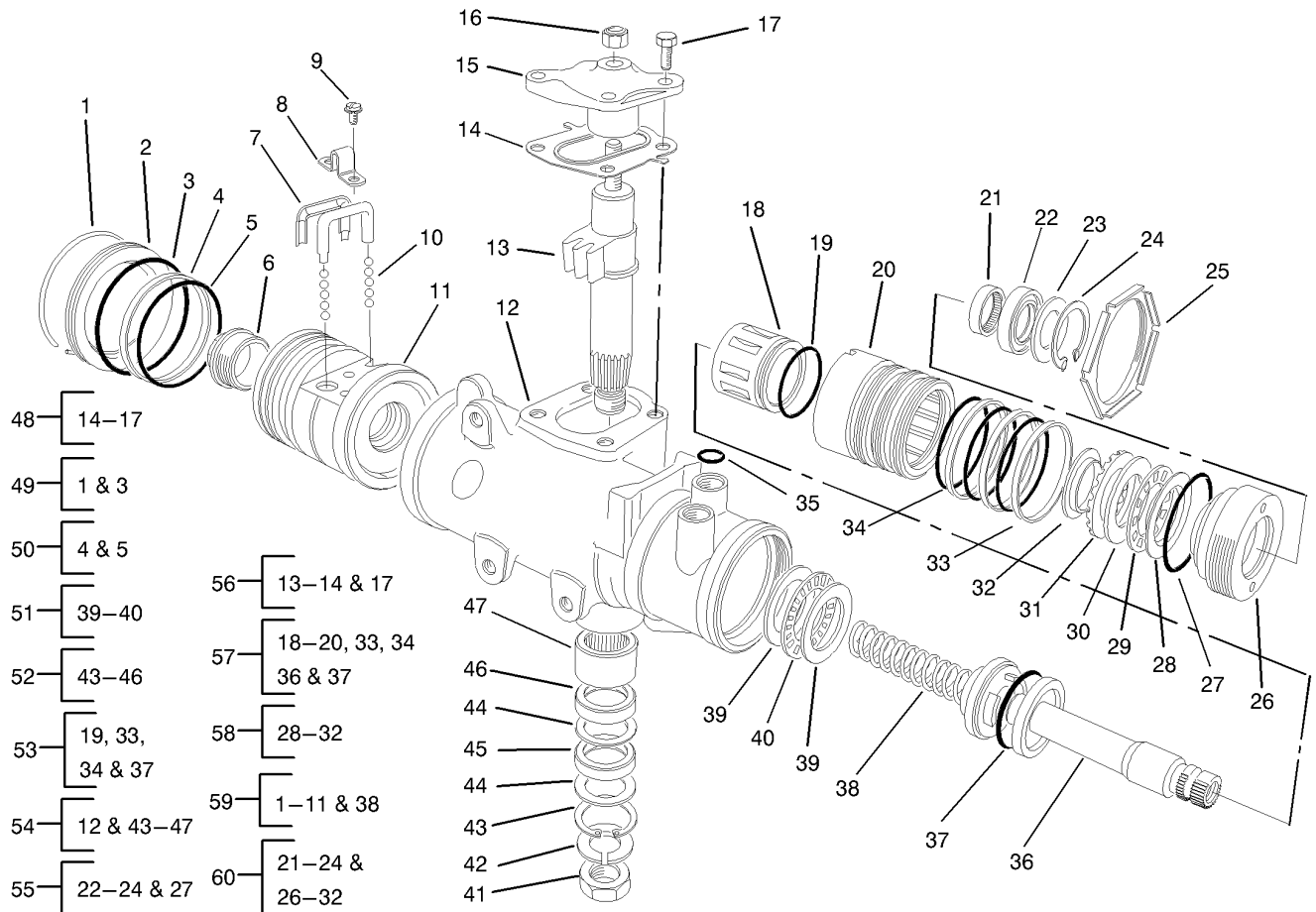
Ref	Part No.	Qty.	Description
18:1	218-446	1	Nut-Hex
18:2	218-447	1	Washer-Lock
19	32128-33	12	Nut-HF
20	3250-13	2	Screw-PPH
21	105-1792	1	Harness-Wire, Front Right
22	32128-20	3	Nut-HF
23	93-7094-03	1	Cover-Harness, Wire
24	322-2	3	Screw-HH
25	3296-2	2	Nut-Lock
26	105-4247	1	Dash Panel ASM
26:2	93-9446	1	Decal-Dash
26:3	105-7971	1	Decal-Supervisor
26:4	93-7252	1	Decal
27	94-5245	1	Switch-Key
28	105-4150	1	Harness-Wire, Rear
29	105-1791	1	Harness-Wire, Front Left
30	2412-89	1	Clamp
31	321-4	1	Screw-HH
32	93-9851	1	Decal-Fuse Block
35	32144-18	2	Screw-HH
36	2410-64	1	Plug-Button
38	105-1758	1	Handle-Grab



Steering Assembly

Ref	Part No.	Qty.	Description
1	233-39	1	Knob-Control
2	87-3460	1	Boot-Steering
3	87-4720-03	1	Plate-Boot, Steering
4	21-9260	1	Cover-Dust
5	3277-1	1	Nut-Hex
6	48-8070	1	Washer-Lock
7	87-3820	1	Wheel-Steering
8	32144-116	8	Tscrew-Crph
● 9		1	Steering Column / U-Joint
9:1	92-4154	1	U-Joint ASM
9:2	92-4153	1	Steering Column Shaft ASM
9:3	46-2210	2	Shim-Bearing, Front
10	3290-455	1	Washer-Belleville
11	3296-59	1	Nut-Lock, NI
12	48-7740	2	Screw
13	3253-4	2	Washer-Lock
14	322-2	6	Screw-HH
15	2412-105	2	Clamp-Tube, Double
16	32144-10	2	Screw-HWH
17	93-7145	3	Bolt-HH
18	87-7480	3	Washer
● 19		1	Steering Gear / Pitman ASM
19:1	105-9524-03	1	Gear-Steering, 2Wd
19:2	87-0370-03	1	Arm-Pitman

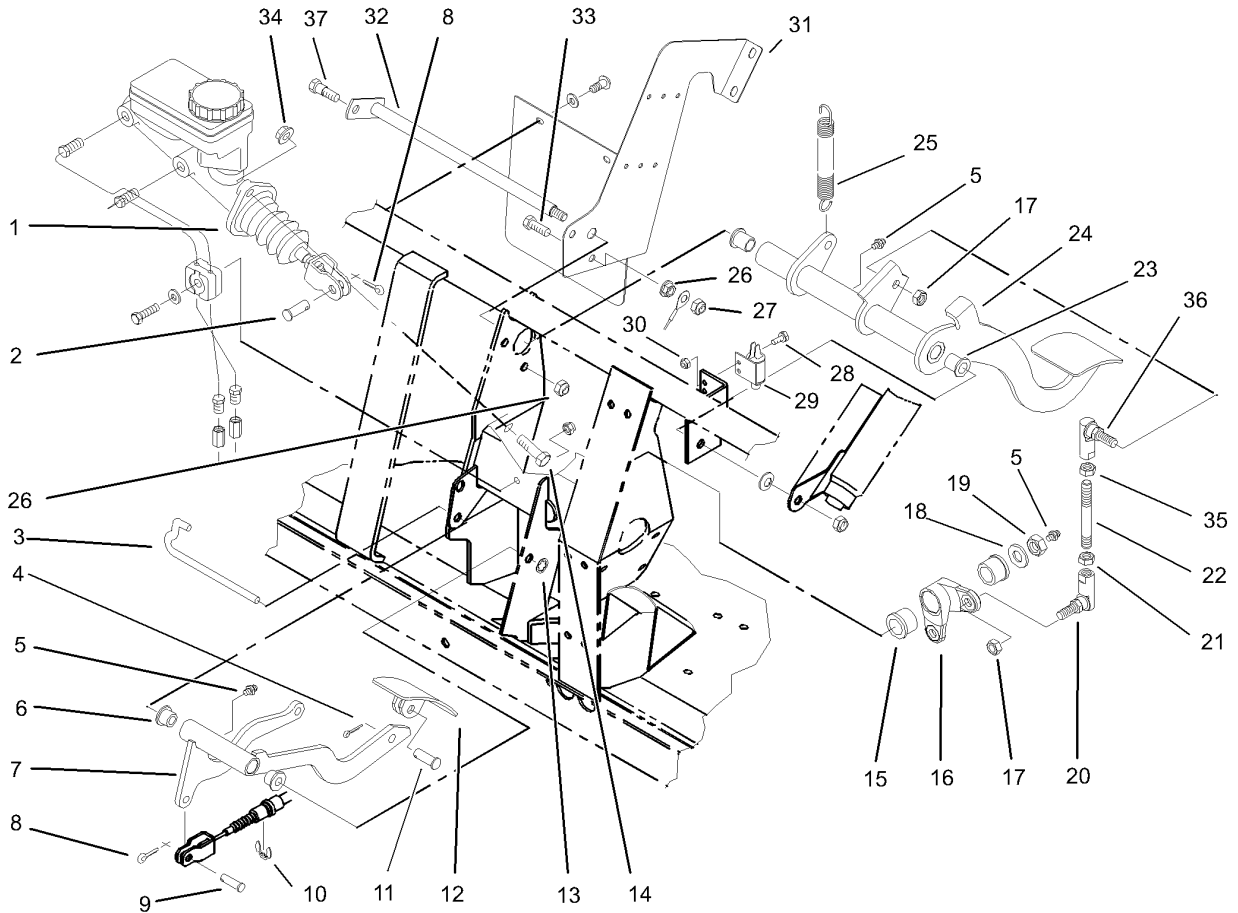
Ref	Part No.	Qty.	Description
20	87-2280	3	Bearing-Plastic
21	87-3250	3	Block-Pillow
22	32128-20	6	Nut-HF
● 23		1	Shaft-Slip, U-Joint
23:1	92-4155	1	Upper Slip Joint ASM
23:2	92-4157	1	Seal-Boot
23:3	92-4156	1	Lower Slip Joint ASM
23:4	302-5	1	Fitting-Grease
24	3296-42	2	Nut-Lock, NI
25	321-3	2	Screw-HH
26	87-3610	1	Bracket-Detent
27	65-5360	1	Extension-Spring
28	87-3130	1	Lever-Tilt
29	87-3750	1	Cover-Wheel, Steering



2wd Steering Gear Assembly No. 105-9538-01

Ref	Part No.	Qty.	Description
1		1	Ring-Retaining
2	92-4165	1	Plug-Housing End
3		1	Seal-End Plug, Housing
4		1	Ring-Piston, Rack
5		1	O-Ring-Piston, Rack
6	18-4340	1	Plug-End, Rack Piston
7	92-4168	2	Return-Guide Ball
8	18-4270	1	Clamp-Ball Return
9	18-4260	2	Screw-Lockwasher ASM
10	18-5190	1	Recirculating Ball Kit
11		1	Nut-Piston, Rack
12		1	Housing-Gear, Steer
13		1	Gear-Shaft, Pitman
14	28-8280	1	Seal Kit-Housing Cover
15		1	Cover-Side, Housing
16	28-8220	1	Adjuster-Nut Lash
17	28-8210	4	Bolt-Flange Hex HD
18		1	Valve-Spool
19		1	O-Ring-Valve, Spool
20		1	Body-Valve
21	92-4169	1	Bearing-Needle
22		1	Seal-Shaft, Stub
23		1	Seal-Dust, Stub Shaft
24		1	Ring-Retaining

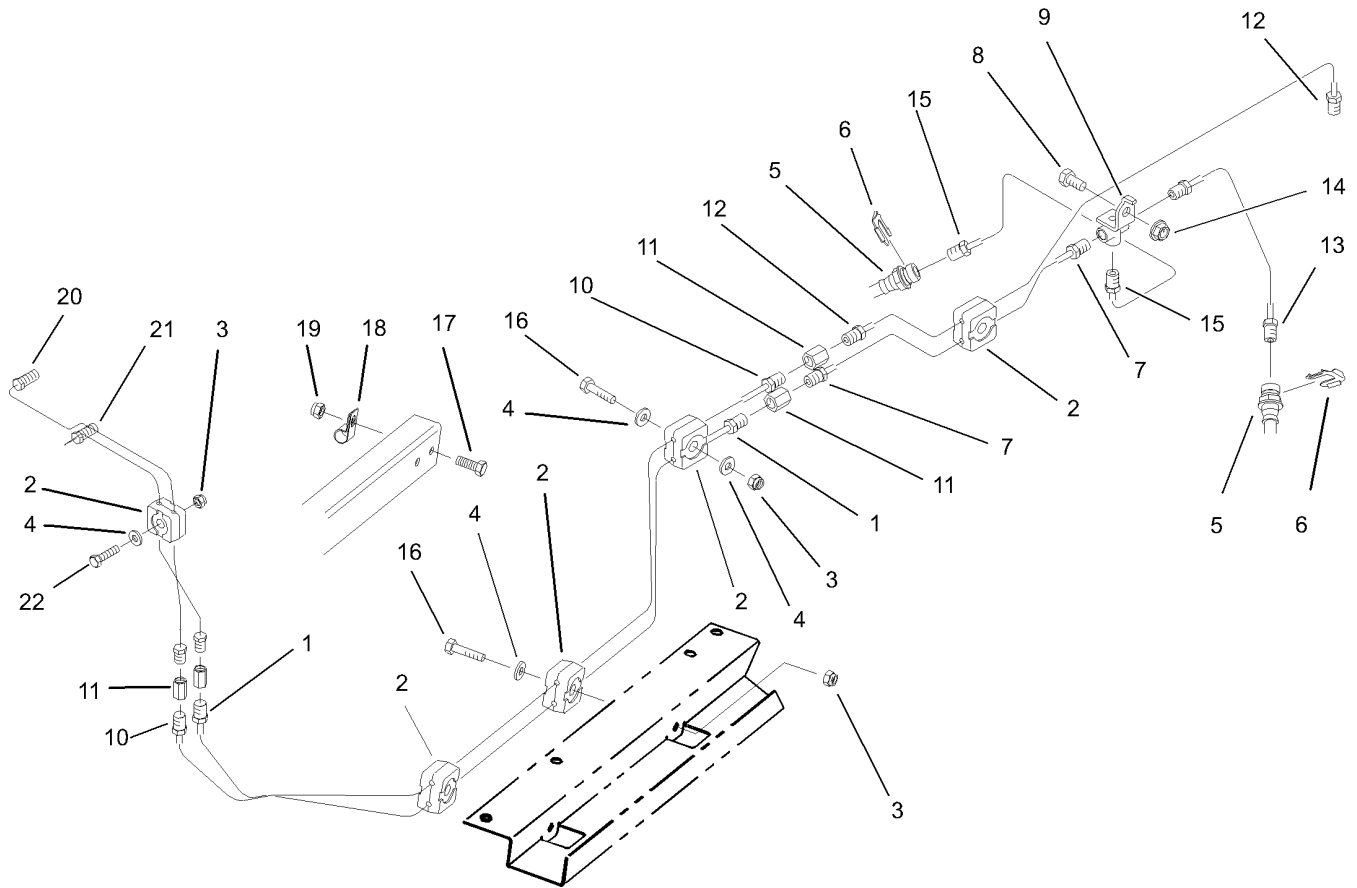
Ref	Part No.	Qty.	Description
25	92-4159	1	Nut
26		1	Plug-Adjuster
27	28-8200	1	Seal-O Ring
28		1	Race-Bearing, Upper
29		1	Bearing-Roller, Thrust
30		1	Race-Bearing, Thrust
31		1	Spacer-Bearing, Thrust
32		1	Retainer-Bearing
33		3	Ring-Body, Valve
34		3	Seal-Dust
35	39-7310	3	Seal-O Ring
36		1	Shaft-Stub
37		1	Seal-Dust
38		1	Worm-Steering
39		2	Race-Bearing, Thrust
40		1	Bearing-Roller, Thrust
41	39-7440	1	Nut-Pitman Arm
42	39-7420	1	Washer-Lock
43		1	Ring-Retaining
44		2	Washer-Seal, Backup
45		1	Seal-Shaft, Pitman
46		1	Seal-Shaft, Pitman
47	92-4170	1	Bearing-Pitman Shaft
48	92-4161	1	Cover Kit



Brake and Accelerator Assembly

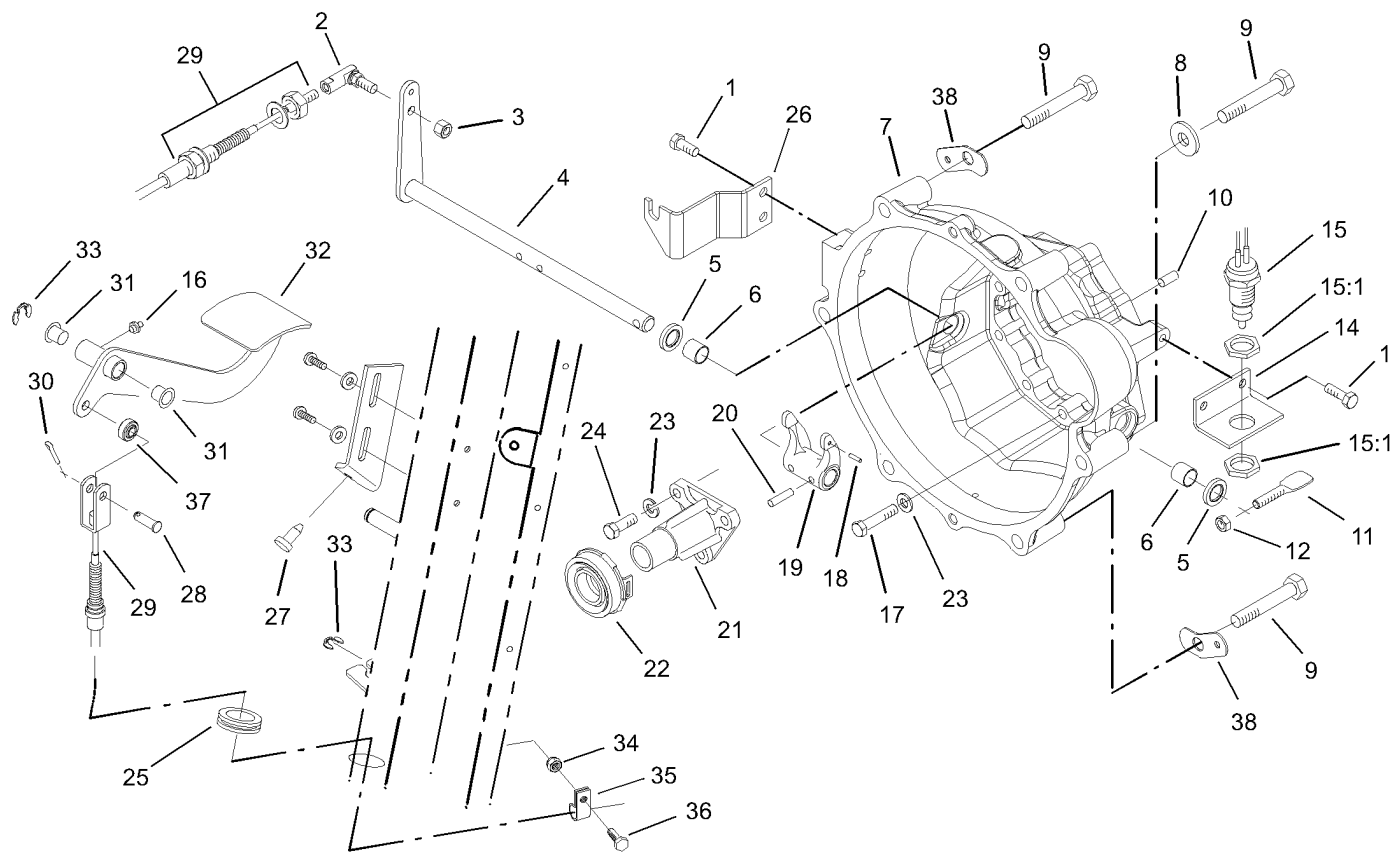
Ref	Part No.	Qty.	Description
1	94-3800	1	Master Cylinder ASM
2	283-2	1	Pin-Clevis
3	87-2880	1	Shaft-Pedal, Accelerator
4	3272-6	1	Pin-Cotter
5	302-5	3	Fitting-Grease
6	256-259	2	Bushing-Flange
7	93-8961-03	1	Arm-Pedal
8	3272-10	2	Pin-Cotter
9	283-30	1	Pin-Clevis
10	32120-47	1	Ring-Retaining, External
11	283-85	1	Pin-Clevis
12	93-8969-03	1	Pedal
13	32151-56	1	Ring-Retaining, External
14	323-7	2	Screw-HH
15	256-247	2	Bushing-Flange
16	94-5223	1	Crank-Bell
17	3296-6	2	Nut-Lock
18	3256-26	1	Washer-Flat
19	3296-23	1	Nut-Lock, NI
20	68-3840	1	Joint-Ball, RH Threaded
21	3220-3	1	Nut-Hex, Jam
22	94-5299	1	Rod-Link, Straight
23	256-155	2	Bushing-Flange
24	93-8965-03	1	Brake Pedal ASM

Ref	Part No.	Qty.	Description
25	76-9430-03	1	Spring-Extention
26	32128-20	2	Nut-HF
27	3296-29	1	Nut-Lock, NI
28	3290-321	2	Screw-HWH
29	55-7120	1	Switch-Brake, Parking
30	3296-2	2	Nut-Lock
31	94-3821-03	1	Plate-Center, Frame
32	95-7394	1	Brake Shaft ASM
33	322-5	1	Screw-HH
34	3290-357	2	Nut-HHF, Whiz
35	3220-16	1	Nut-Jam, LH
36	68-3841	1	Joint-Ball, LH Threaded
37	28-0540	1	Bolt-Shoulder



Hydraulic Brake Assembly

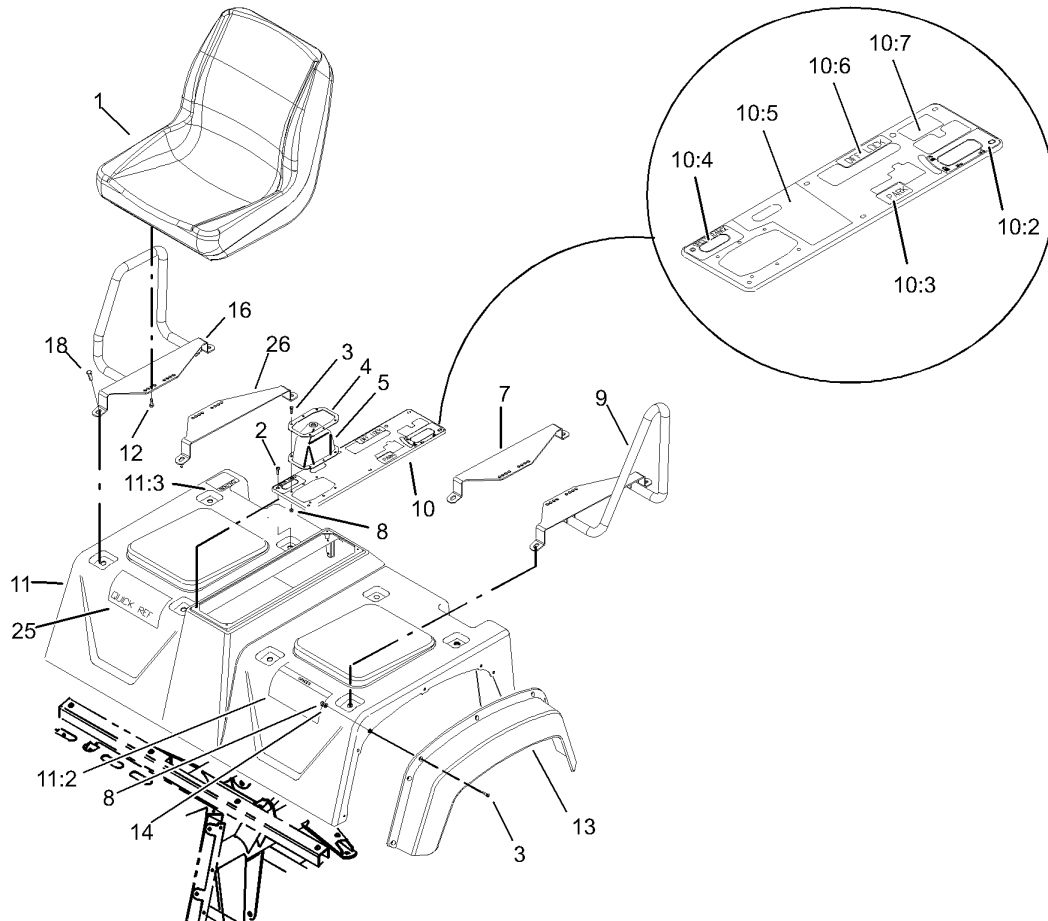
Ref	Part No.	Qty.	Description
1	94-3820	1	Tube-Brake, Front
2	87-7660	10	Clamp-Tube
3	3296-42	5	Nut-Lock, NI
4	3256-22	6	Washer-Flat
5	93-7123	2	Front Brake Hose ASM
6	87-3580	2	Clip-Retainer
7	93-7085	1	Front Brake Tube ASM
8	322-2	1	Screw-HH
9	87-3560	1	Tee
10	94-3819	1	Tube-Brake, Rear
11	87-3570	4	Union
12	94-3842	1	Rear Brake Tube ASM
13	93-7082	1	LH Front Brake Tube ASM
14	32128-20	1	Nut-HF
15	93-7081	1	RH Front Brake Tube ASM
16	321-9	4	Screw-HH
17	321-4	1	Screw-HH
18	2412-89	1	Clamp
19	32128-33	1	Nut-HF
20	94-3814	1	Tube-Brake, Front
21	94-3815	1	Tube-Brake, Rear
22	321-9	1	Screw-HH



Clutch Linkage Assembly

Ref	Part No.	Qty.	Description
1	33114-020	4	Screw-HH
2	2411-33	1	Balljoint-RH (W/Grommet)
3	3296-4	1	Nut-Lock
4	105-1702	1	Release Shaft ASM
5	87-1920	2	Seal-Oil
6	87-3770	2	Bushing-Housing, Bell
7	104-9249	1	Housing-Bell
8	3256-26	3	Washer-Flat
9	3215-2	6	Screw-HH
10	87-1910	4	Pin-Dowel
11	87-5360	1	Paddle-Clutch, Switch
12	3296-29	1	Nut-Lock, NI
14	87-5350	1	Bracket-Clutch, Switch
15	87-5490	1	Switch-Clutch
15:1	3218-20	2	Nut-Jam
16	302-5	1	Fitting-Grease
17	33114-040	9	Screw-HH
18	32121-7	1	Pin-Roll, Slotted
19	87-5300	1	Fork-Clutch
20	32121-24	2	Pin-Spring
21	87-5320	1	Release-Guide
22	87-2100	1	Bearing-Out, Throw
23	42-9850	12	Washer-Lock, Spring
24	33114-025	3	Screw-HH

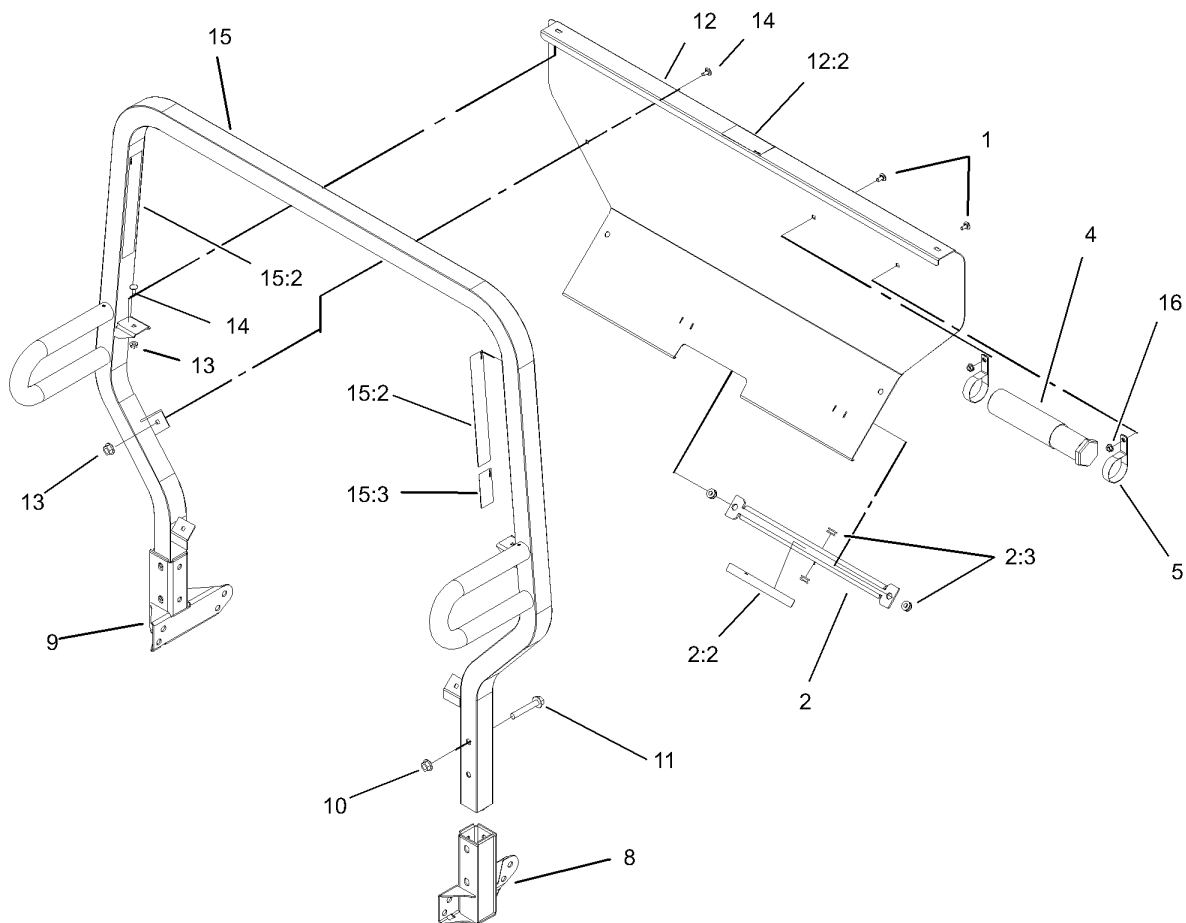
Ref	Part No.	Qty.	Description
25	240-5	1	Grommet
26	106-2523	1	Bracket-Clutch
27	87-8460	1	Bumper-Rubber
28	283-75	1	Pin-Clevis
29	106-2414	1	Cable-Clutch
30	3272-10	1	Pin-Cotter
31	256-156	2	Bushing-Flange
32	99-1199-03	1	Clutch Pedal ASM
33	32120-47	2	Ring-Retaining, External
34	32128-33	1	Nut-HF
35	2412-89	1	Clamp
36	321-4	1	Screw-HH
37	99-1202	1	Rod-End
38	87-6410	3	Bracket-Harness



Shroud and Seat Assembly

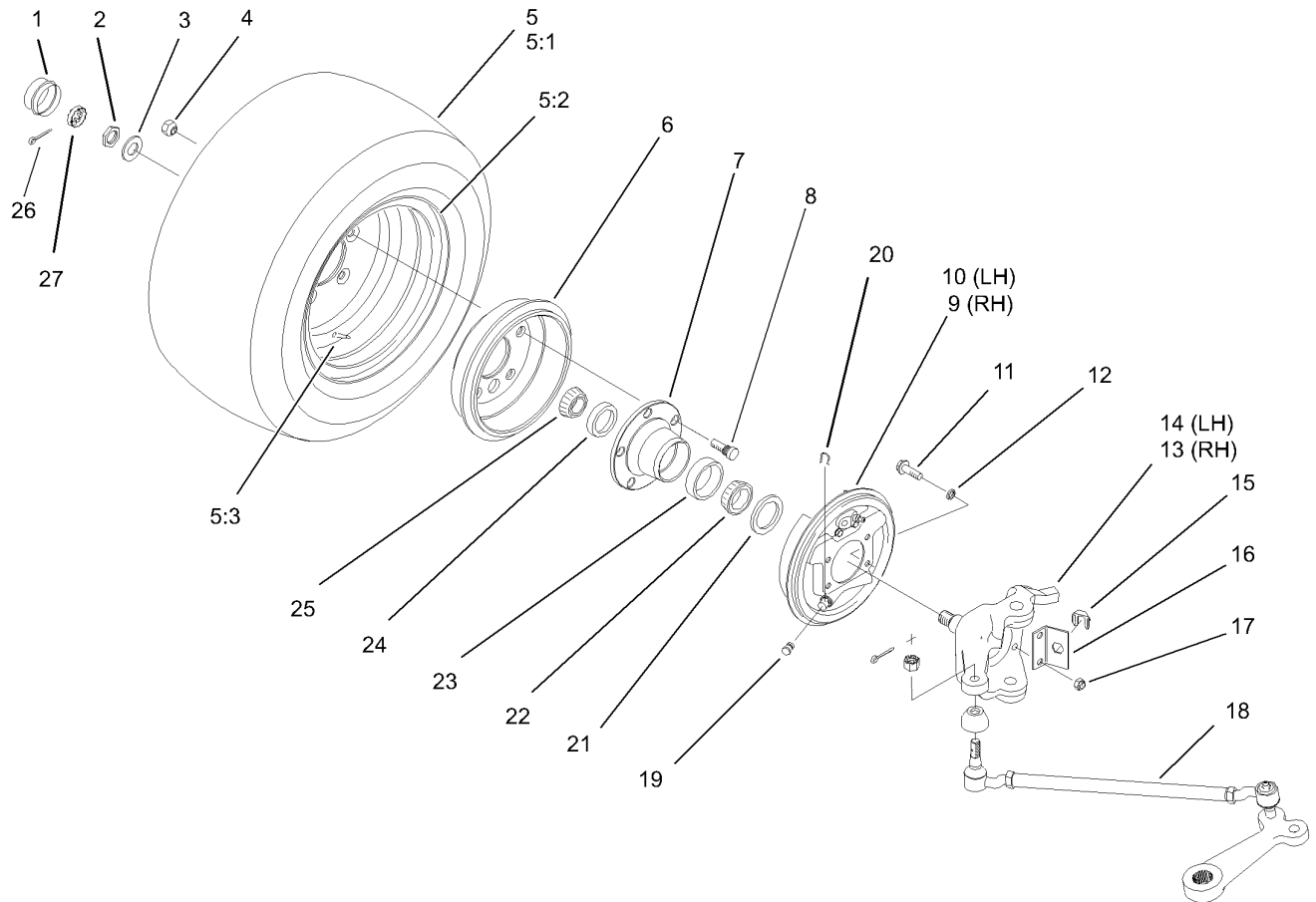
Ref	Part No.	Qty.	Description
1	99-7281	2	Seat
2	32144-52	6	Screw-PPH
3	3250-13	20	Screw-PPH
4	87-3760-03	1	Plate-Boot, Shift
5	87-8620	1	Shift Boot ASM
7	105-1704-03	1	Strap-Seat Pad, RH
8	3296-2	20	Nut-Lock
9	105-1710	1	LH Seat Strap ASM
10	105-4244	1	Console Cover ASM
10:2	93-9444	1	Decal-Hydraulic Pump
10:3	93-9443	1	Decal-Parking Brake
10:4	93-9857	1	Decal-Axle Range
10:5	93-9861	1	Decal-PTO
10:6	93-9430	1	Decal-Differential Block
10:7	93-9866	1	Decal-Remote Hydraulics
11	105-4245	1	2Wd Front Shroud ASM
11:2	93-9860	1	Decal-Danger
11:3	93-9448	1	Decal-Fuel
12	33114-016	8	Screw-HH
13	87-9480	2	Fender-Front
14	3256-61	14	Washer-Flat
16	105-1706	1	RH Seat Strap ASM
18	3234-17	8	Screw-HHF
25	106-6730	1	Decal-Quick Ref, Workman

Ref	Part No.	Qty.	Description
26	105-1703-03	1	Mount-Seat, LH



Roll-Over-Protection-System Assembly

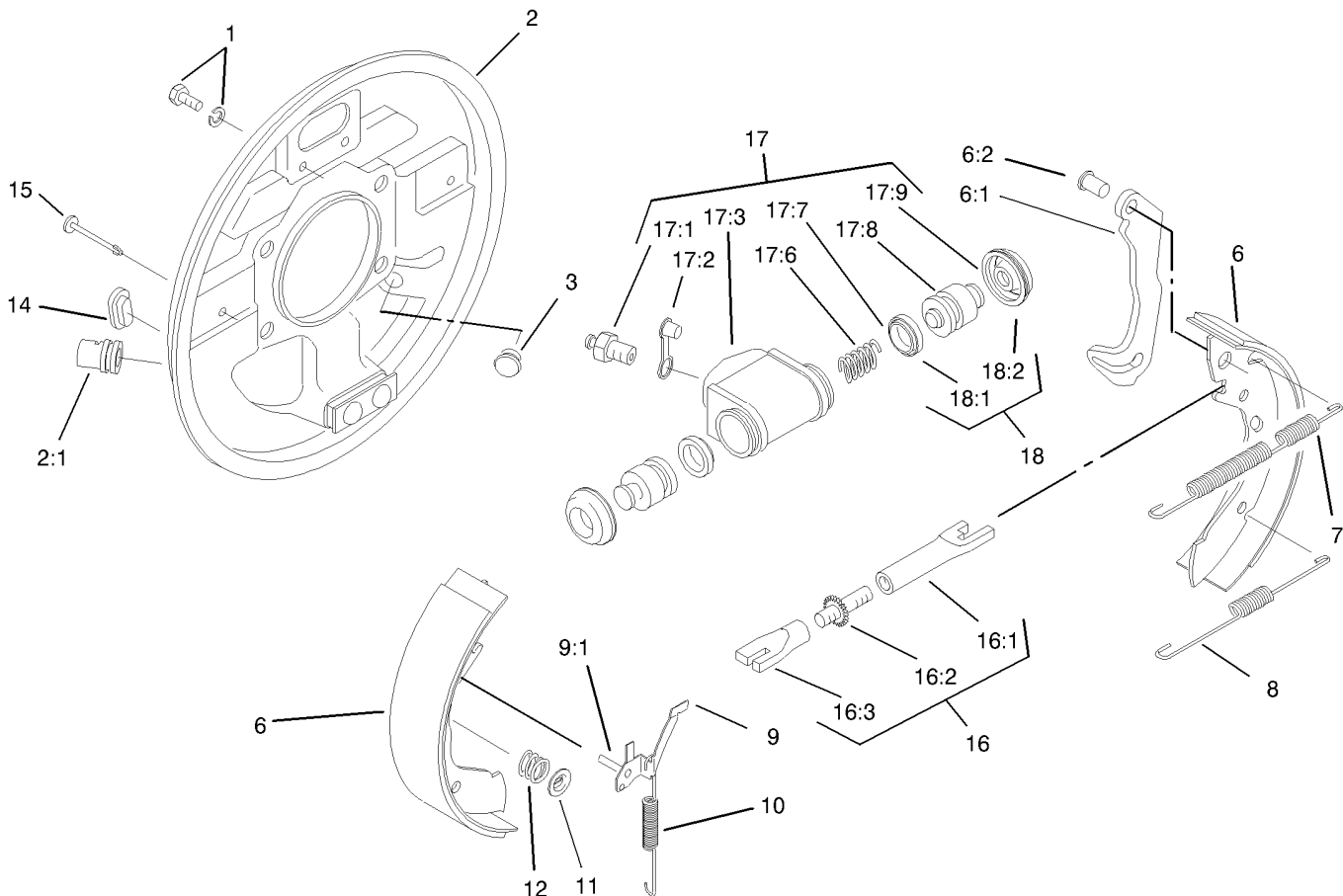
Ref	Part No.	Qty.	Description
1	3230-18	2	Screw-CARR
2	105-7960	1	Bed Support ASM
2:2	93-9852	1	Decal-Warning
2:3	92-5972	4	Grommet-Rubber
4	74-0720	1	Tube-Manual
5	2412-133	2	R-Clamp
8	87-6950-03	1	LH Receiver ASM
9	87-6960-03	1	RH Receiver ASM
10	32128-23	4	Nut-HF
11	3234-40	4	Screw-HF
12	105-4237	1	ROPS Cover ASM
12:2	105-4215	1	Decal-Caution
13	32128-20	6	Nut-HF
14	3230-18	6	Screw-CARR
15	105-4221	1	ROPS ASM
15:2	105-4214	2	Decal-ROPS
15:3	93-9850	1	Decal-Roll Over
16	32128-20	2	Nut-HF



Front Wheel Assembly

Ref	Part No.	Qty.	Description
1	241-119	2	Cap-Dust
2	3220-7	2	Nut-Jam
3	93-0309	2	Washer-Tab
4	23-7270	10	Nut-Wheel
5		2	Tire And Wheel ASM
5:1	94-5261	1	Tire-Front
5:2	87-5720	1	Front Rim ASM
5:3	232-27	1	Stem-Valve
6	87-0270	2	Drum-Brake
7	87-5560	2	Hub-Front
8	87-8730	10	Stud
9	87-3010	1	RH Brake ASM
10	87-3020	1	LH Brake ASM
11	323-8	8	Screw-HH
12	3253-21	8	Washer-Lock
13	87-9430-03	1	Spindle-Sp Mask, RH
14	87-9440-03	1	Spindle-Sp Mask, LH
15	87-3580	2	Clip-Retainer
16	87-2820	2	Bracket-Spindle, Brake Hose
17	3296-39	8	Nut-Lock, NI
18		2	Rod-Tie
19	87-3450	2	Plug-Plate, Brake (Front)
20	87-3310	2	Clip-Cable, Brake
21	87-3590	2	Seal-Bearing

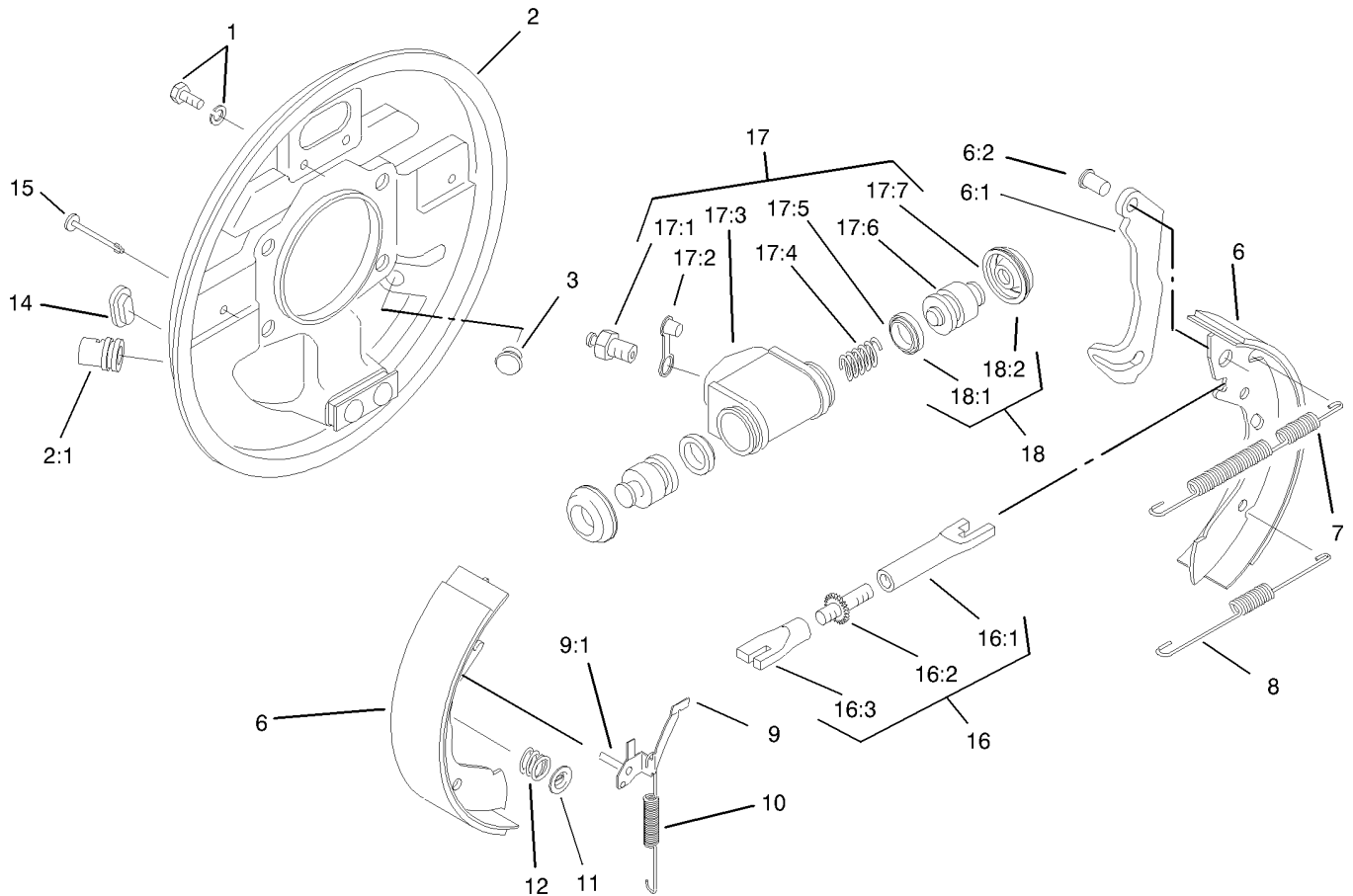
Ref	Part No.	Qty.	Description
22	254-106	2	Cone-Bearing, Tapered
23	254-107	2	Cup-Bearing, Tapered
24	254-72	2	Bearing-Cup, Tapered
25	254-94	2	Bearing-Cone, Tapered
26	3272-12	2	Pin-Cotter
27	93-0307	2	Nut-Lock, Retainer



RH Front Brake Assembly No. 87-3010

Ref	Part No.	Qty.	Description
1	92-4135	2	Bolt-Set
2	92-4116	1	RH Backplate ASM
●2:1		1	Guide-Pipe
3	92-4125	1	Plug
6	92-4120	1	Kit-Shoe, Lined
●6:1		1	Lever-Operating
●6:2		1	Pin
7	92-4127	1	Spring-Shoe Ret, Upper RH
8	92-4128	1	Spring-Shoe Ret, Lower
9	92-4124	1	RH Pawl Lever ASM
●9:1		1	Pin-Pawl
10	92-4130	1	Spring-Adjustor, RH
11	92-4131	2	Washer-Hold Down, Shoe
12	92-4132	2	Spring-Hold Down, Shoe
14	92-4134	1	Plug-Inspection
15	92-4133	2	Pin-Hold Down, Shoe
16	92-4122	1	RH Adjustor ASM
●16:1		1	Pushrod-Female
●16:2		1	Bolt-Adjuster
●16:3		1	Sleeve-Adjuster
17	92-4118	1	Wheel Cylinder ASM
17:1	92-4113	1	Screw-Bleed
17:2	92-4114	1	Cap-Screw, Bleed
●17:3		1	Body

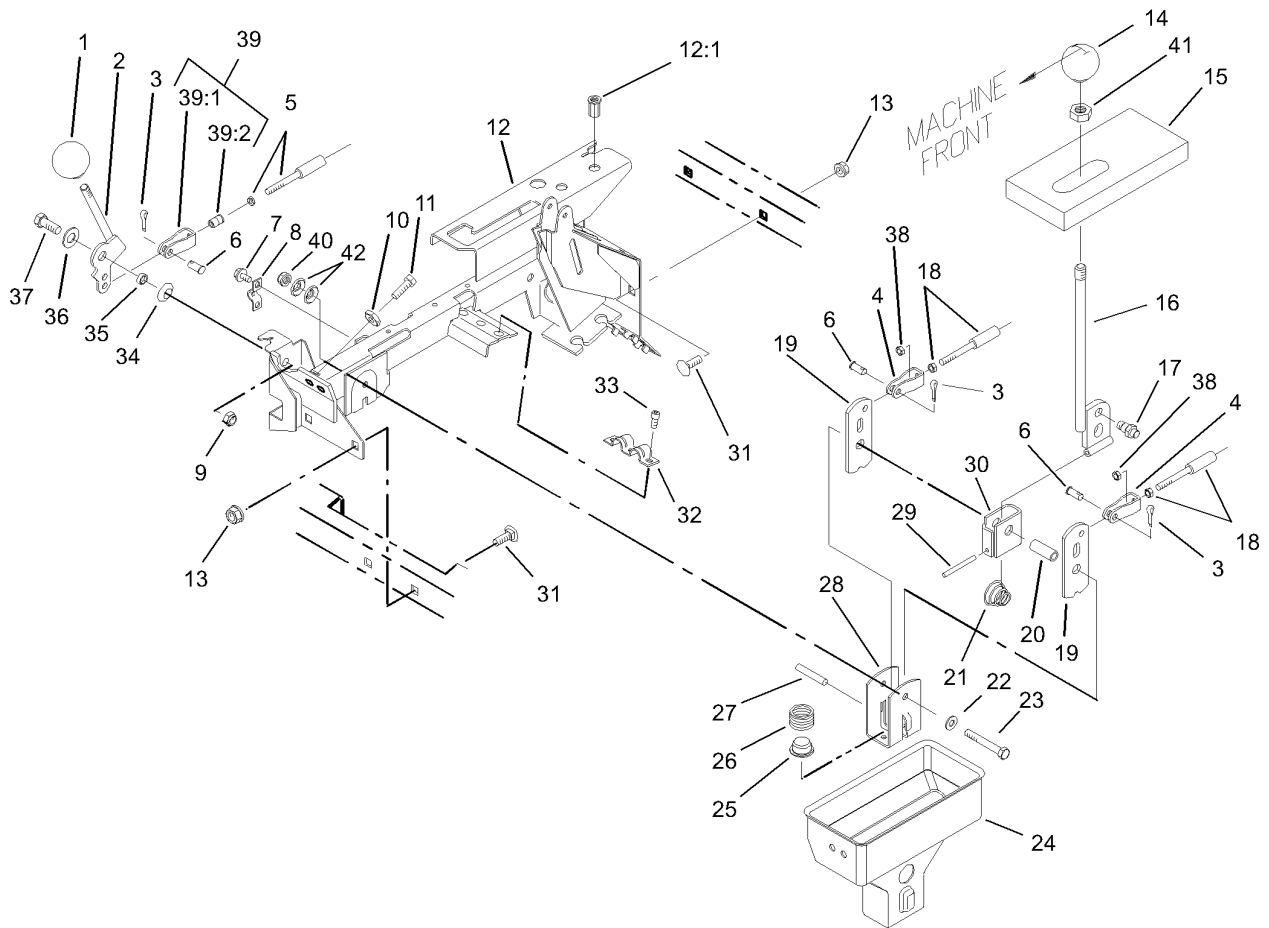
Ref	Part No.	Qty.	Description
●17:6		1	Spring
●17:7		2	Seal-L- Type
●17:8		2	Piston
●17:9		2	Cover-Dust
18	92-4119	1	Seal Kit
●18:1		2	Seal-L- Type
●18:2		2	Cover-Dust



LH Front Brake Assembly No. 87-3020

Ref	Part No.	Qty.	Description
1	92-4135	2	Bolt-Set
2	92-4115	1	LH Backplate ASM
●2:1		1	Guide-Pipe
3	92-4125	1	Plug
6	92-4120	1	Kit-Shoe, Lined
●6:1		1	Lever-Operating
●6:2		1	Pin
7	92-4126	1	Spring-Shoe Ret, Upper LH
8	92-4128	1	Spring-Shoe Ret, Lower
9	92-4123	1	LH Pawl Lever ASM
●9:1		1	Pin-Pawl
10	92-4129	1	Spring-Adjustor, LH
11	92-4131	2	Washer-Hold Down, Shoe
12	92-4132	2	Spring-Hold Down, Shoe
14	92-4134	1	Plug-Inspection
15	92-4133	2	Pin-Hold Down, Shoe
16	92-4121	1	LH Adjustor ASM
●16:1		1	Pushrod-Female
●16:2		1	Bolt-Adjuster
●16:3		1	Sleeve-Adjuster
17	92-4117	1	Wheel Cylinder ASM
17:1	92-4113	1	Screw-Bleed
17:2	92-4114	1	Cap-Screw, Bleed
●17:3		1	Body

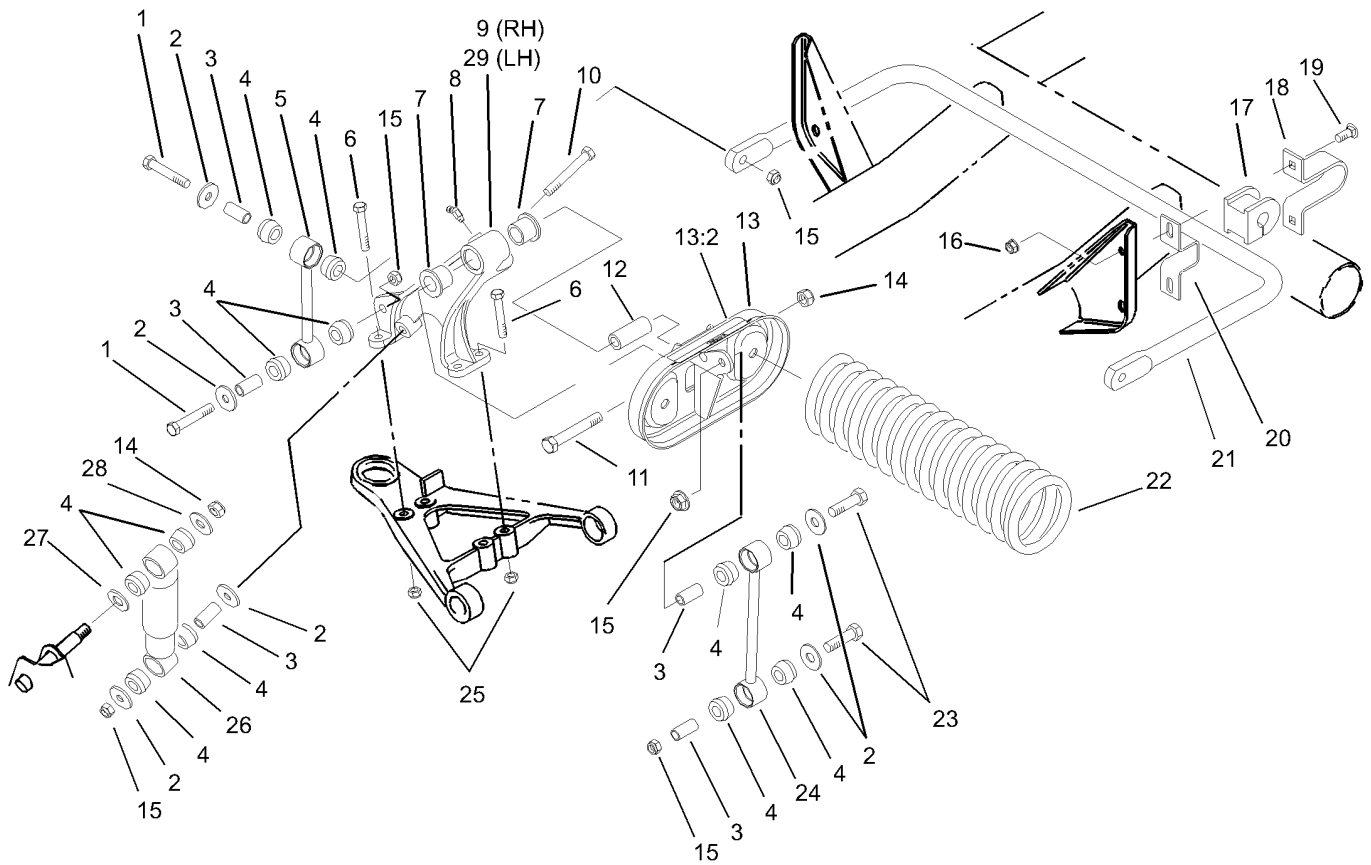
Ref	Part No.	Qty.	Description
●17:4		1	Spring
●17:5		2	Seal-L- Type
●17:6		2	Piston
●17:7		2	Cover-Dust
18	92-4119	1	Seal Kit
●18:1		2	Seal-L- Type
●18:2		2	Cover-Dust



Center Console Assembly

Ref	Part No.	Qty.	Description
1	233-37	1	Knob
2	87-4350	1	Hi/Lo Lever ASM
3	3272-6	3	Pin-Cotter
4	87-2310	2	Clevis-Cable
5	87-4420	1	Cable-Hi/Lo
6	283-62	3	Pin-Clevis
7	32144-4	2	Screw-HWH
8	87-4340	1	Clamp-Cable
9	3296-39	1	Nut-Lock, NI
10	3220-3	2	Nut-Hex, Jam
11	3211-8	2	Screw-HH
12	94-5202	1	Lever Support ASM
12:1	32148-7	2	Nut-Insert
13	3290-357	4	Nut-HHF, Whiz
14	87-6720	1	Knob-Shift
15	87-6570	1	Seal-Boot, Lower
16	87-2040	1	Shift Lever ASM
17	87-3650	1	Pin-Shift
18	87-4260	2	Cable-Selector, Gear
19	87-3540	2	Link-Shift
20	87-2520	1	Tube-Pivot
21	87-2900	1	Spring-Compression
22	87-8640	1	Washer-Flat
23	322-12	1	Screw-HH

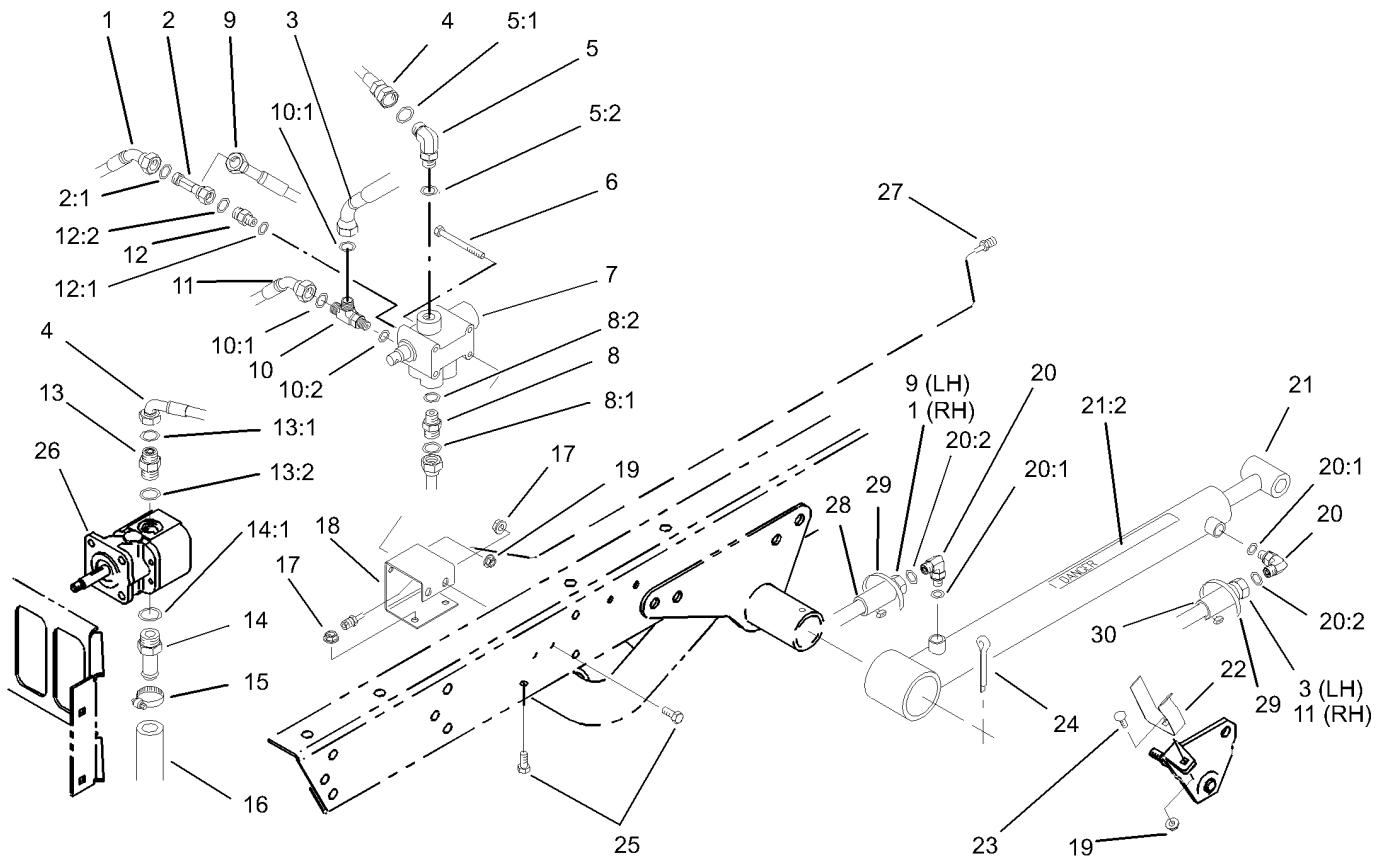
Ref	Part No.	Qty.	Description
24	87-2260	1	Boot-Shift, Lower
25	87-3530	1	Button-Shifter
26	87-3660	1	Spring-Compression
27	3290-507	1	Pin-Dowel
28	87-3520	1	Clevis
29	32121-48	1	Pin-Spring
30	87-6040	1	Bracket-Shifter
31	3231-21	4	Screw-CARR
32	87-4960	1	Clamp-Cable
33	65-5220	3	Screw-Forming, Thread
34	3290-221	1	Washer-Spring
35	76-9100	1	Spacer-Speed, Reel
36	49-9150	1	Washer-Pivot
37	323-6	1	Screw-HH
38	3220-1	2	Nut-Jam
39	87-7160	1	Cable Clevis ASM
39:1	87-2310	1	Clevis-Cable
39:2	32148-15	1	Nut-Insert
40	3296-58	1	Nut-Lock, NI
41	3218-18	1	Nut-Jam
42	3290-456	2	Washer-Belleville



Front Suspension Assembly

Ref	Part No.	Qty.	Description
1	324-10	4	Screw-HH
2	87-5330	12	Washer
3	87-3600	10	Spacer-Absorber, Shock
4	87-3920	24	Bushing
5	87-3860-03	2	Anti-Sway Bar Link ASM
6	323-12	8	Screw-HH
7	33-3090	4	Bushing
8	302-11	2	Fitting-Lube, 45 DEG
9	87-0150-03	1	Tower-Control Arm, RH
10	324-13	2	Screw-HH
11	325-13	2	Screw-HH
12	87-2500	2	Sleeve-Spring, Pivot
13	105-7958	2	Spring Cradle ASM
13:2	93-9879	1	Decal-Warning
14	3296-23	4	Nut-Lock, NI
15	3296-48	10	Nut-Lock, NI
16	3290-357	4	Nut-HHF, Whiz
17	87-3910	2	Bushing-Rubber
18	87-4010-03	2	Clamp-Bar, Sway
19	3231-25	4	Screw-CARR
20	87-3890-03	2	Bracket-Bar, Sway
21	87-3850-03	1	Bar-Sway, Anti
22	105-4183-01	2	Spring-Compression
23	324-9	4	Screw-HH

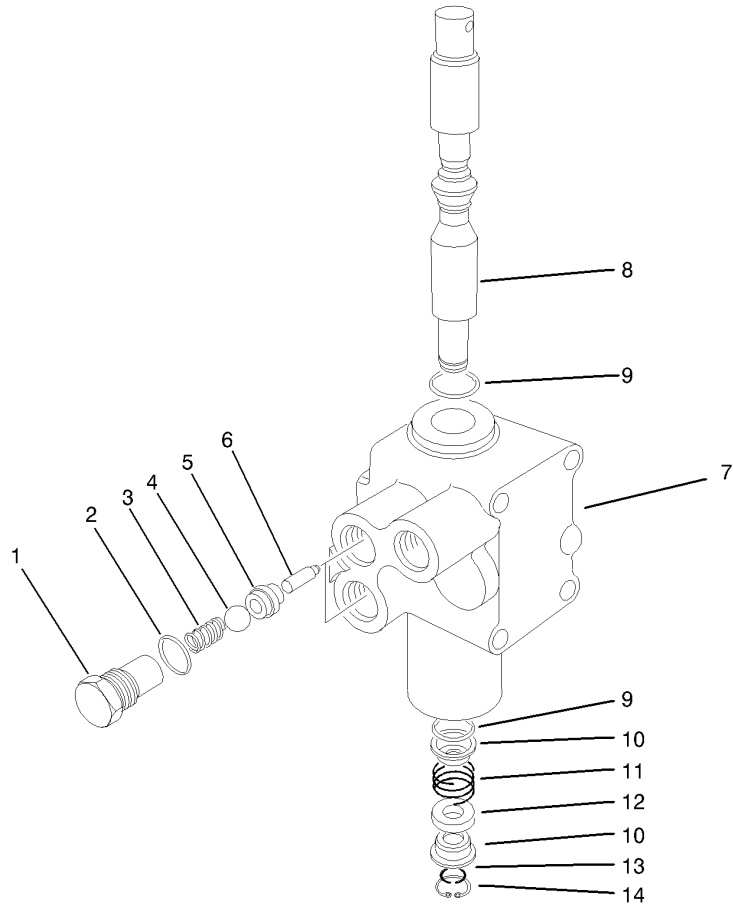
Ref	Part No.	Qty.	Description
24	87-2480-03	2	Stabilizer Link ASM
25	3296-39	8	Nut-Lock, NI
26	87-3110	2	Absorber-Shock
27	3256-27	2	Washer-Flat
28	3256-6	2	Washer-Flat
29	87-0160-03	1	Tower-Control Arm, LH



Lift Valve and Cylinder Assembly

Ref	Part No.	Qty.	Description
1	87-4900	1	Hose ASM
2	340-151	1	Fitting
2:1	237-75	3	O-Ring
3	92-2697	1	Hose ASM
4	93-9552	1	Hose ASM
5	340-77	1	Fitting-HYD, 90 DEG
5:1	237-22	1	O-Ring
5:2	237-42	1	O-Ring
6	321-14	2	Screw-HH
7	43-1950-03	1	Valve-HYD
8	340-77	1	Fitting-HYD, 90 DEG
8:1	237-22	1	O-Ring
8:2	237-42	1	O-Ring
9	87-4880	1	Hose ASM
10	340-140	1	Adapter-Tee
10:1	237-21	2	O-Ring
10:2	237-78	1	O-Ring
11	87-4910	1	Hose ASM
12	340-92	1	Fitting-HYD, Straight
12:1	237-78	1	O-Ring
12:2	237-21	1	O-Ring
13	340-3	1	Adapter
13:1	237-22	1	O-Ring
13:2	237-79	1	O-Ring

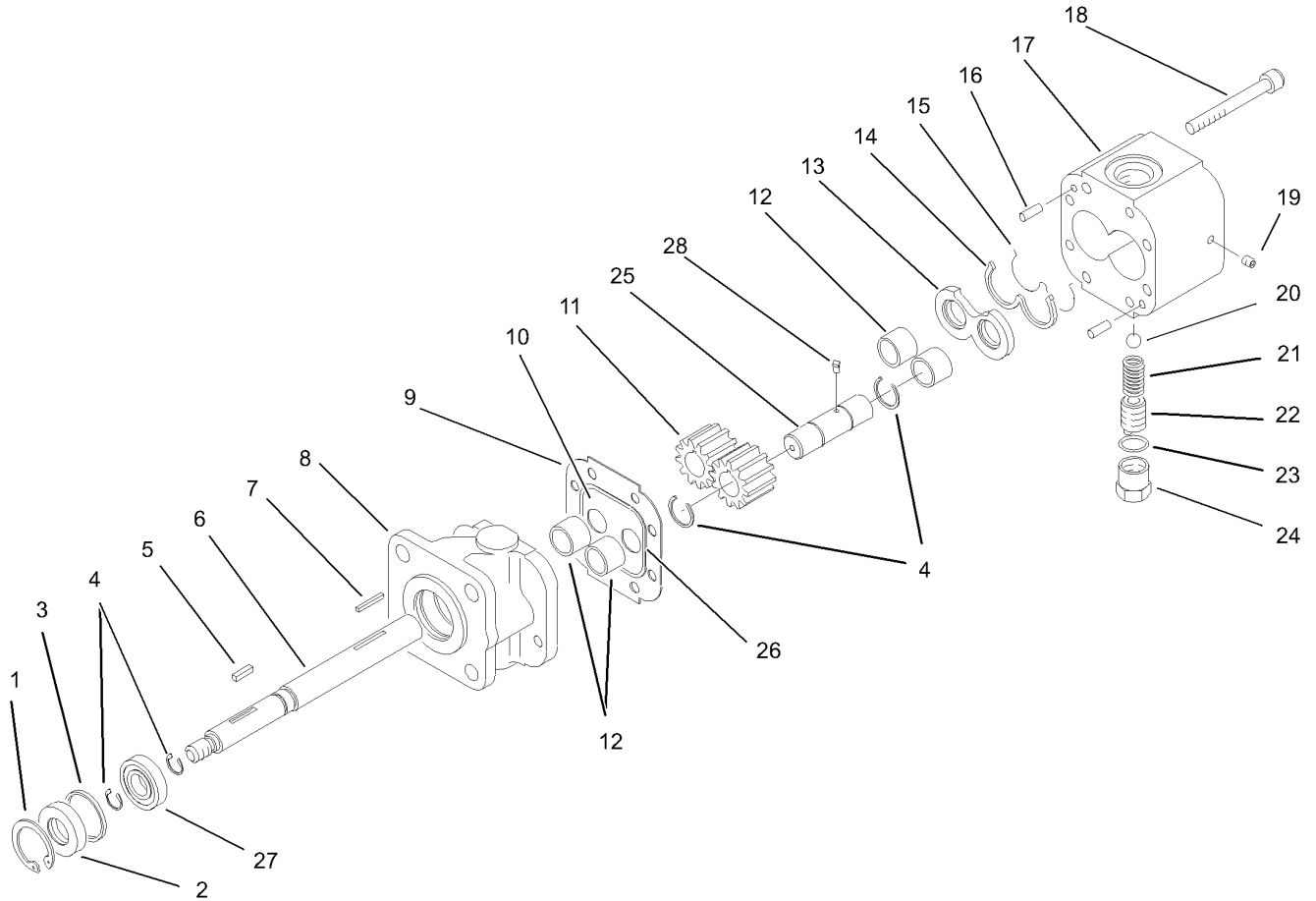
Ref	Part No.	Qty.	Description
14	354-136	1	Fitting-HYD
14:1	237-80	1	O-Ring
15	2412-34	1	Clamp-Hose
16	87-3670	1	Hose-Suction
17	32128-20	4	Nut-HF
18	87-4520-03	1	Bracket-Dump Valve
19	32128-33	4	Nut-HF
20	340-132	4	Fitting-HYD, 90 DEG
20:1	237-78	1	O-Ring
20:2	237-21	1	O-Ring
21	105-7957	2	HYD Lift Cylinder ASM
21:2	93-9852	1	Decal-Warning
22	87-3720	2	Retainer-Cylinder
23	3229-1	2	Screw-CARR
24	3272-37	2	Pin-Cotter
25	322-3	4	Screw-HH
26	87-5700	1	Gear-HYD Pump
27	94-3844	1	LH Rear Brake Tube ASM
28	24-7922	1	Cover-Shaft, Drive
29	3290-378	6	Tie-Cable
30	24-7923	2	Cover-Shaft, Drive



Hydraulic Valve Assembly No. 43-1950-03

Ref	Part No.	Qty.	Description
1	22-8330	2	Plug
2	237-42	2	O-Ring
3	22-8340	2	Spring
4	22-8350	2	Ball
5	22-8370	2	Seat-Valve
6	22-8360	2	Pin
7		1	Body
8	22-8420	1	Spool
9	22-8500	2	O-Ring
10	22-8380	2	Retainer
11	22-8410	1	Spring
12	23-3030	1	Spacer
13	22-8480	1	Ring-Snap
14	22-8490	1	Ring-Snap

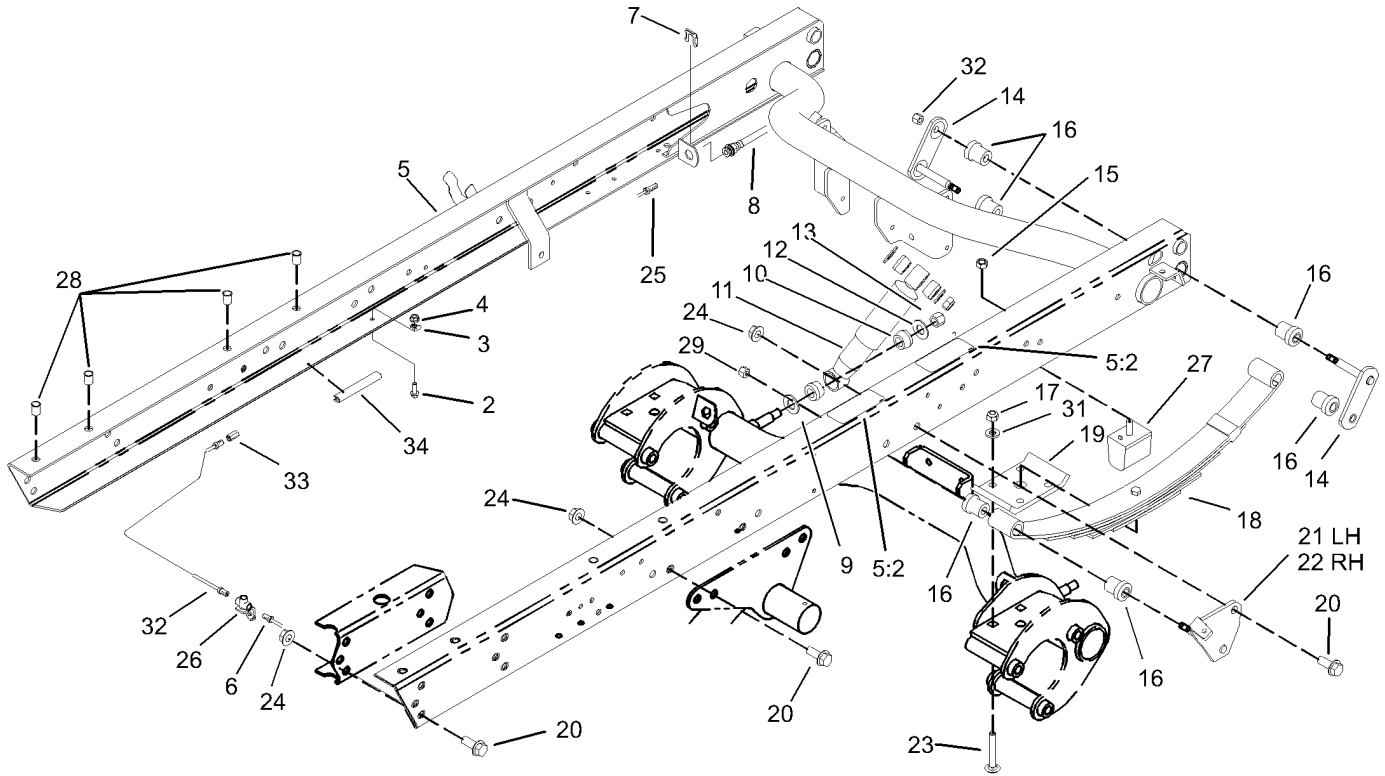
--	--	--	--



Hydraulic Gear Pump Assembly No. 87-5700

Ref	Part No.	Qty.	Description
1	32151-41	1	Ring-Snap
2	92-2195	1	Seal-Oil
3	92-2186	1	Spacer
4	92-2178	4	Ring-Crescent
5	92-2179	1	Key-Square
6	92-2189	1	Shaft-Drive
7	92-2177	1	Pin-Shear
8	92-2188	1	Stator
9	92-2182	1	Plate-Seal
10	92-2183	1	Plate-Wear
11	92-2175	2	Gear
12	92-2192	4	Bearing
13	92-2181	1	Plate-Pressure
14	92-2197	1	Seal-Back Up, Pressure Plate
15	92-2196	1	Seal-Plate, Pressure
16	92-2176	2	Pin-Shear
17	92-2187	1	Housing-Gear, End
18	92-2173	4	Screw
19	92-2185	1	Plug
20	92-2193	1	Ball-Steel
21	92-2194	1	Spring
22	92-2174	1	Screw-Adjusting
23	92-2180	1	Gasket-Copper
24	92-2184	1	Cap-Hex, Relief Valve

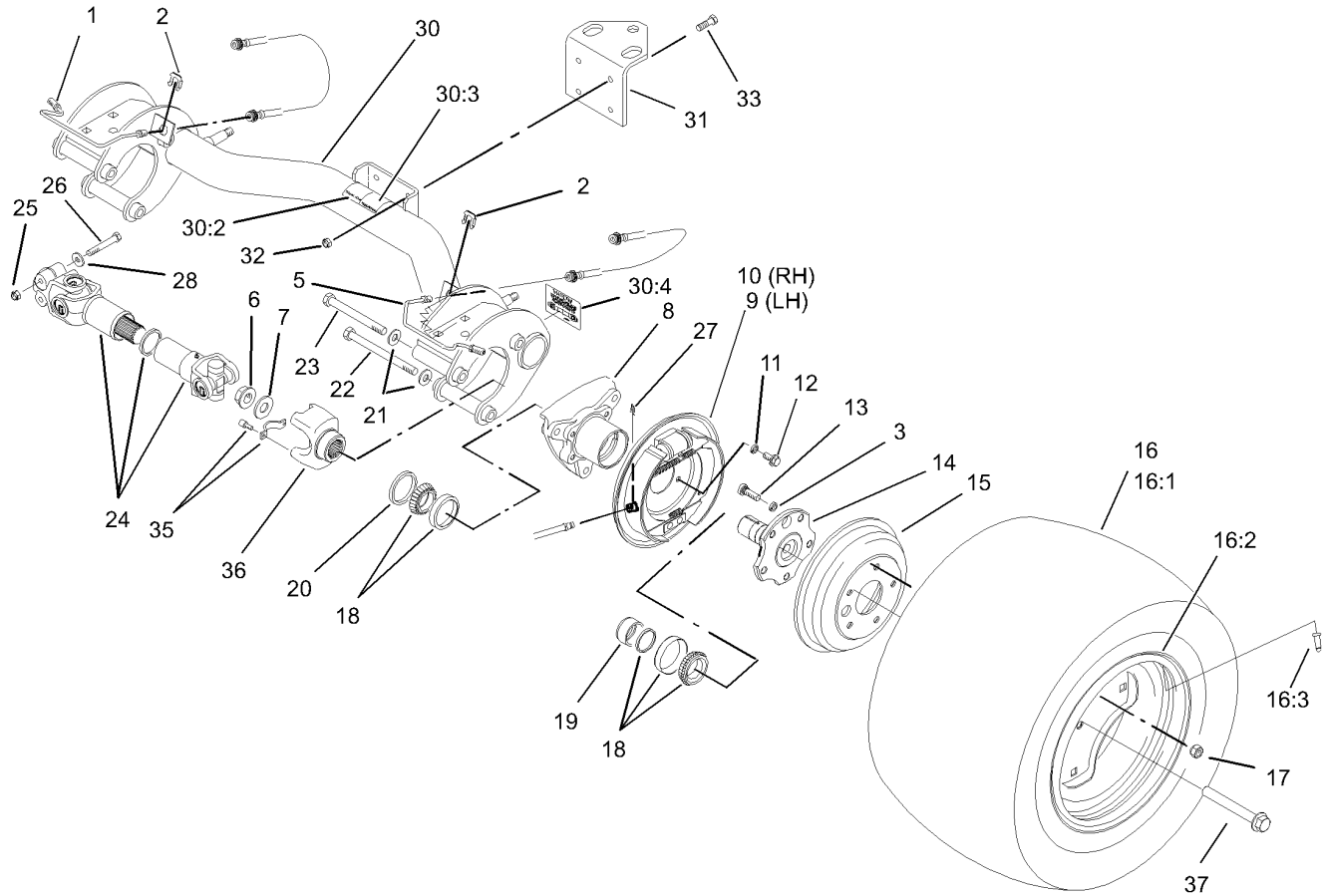
Ref	Part No.	Qty.	Description
25	92-2190	1	Shaft-Idler
26	92-2198	1	Seal-Plate, Wear
27	92-2191	1	Bearing-Ball
28	92-2199	1	Key-Ball



Rear Frame Assembly

Ref	Part No.	Qty.	Description
2	3234-4	4	Screw-HHF
3	2412-149	4	Clamp-Hose
4	32128-33	4	Nut-HF
5	105-7959	1	Frame Channel ASM
5:2	93-8071	2	Decal-Surface, Hot
6	94-3843	1	LH Rear Brake Tube ASM
7	87-3580	2	Clip-Retainer
8	87-4100	2	Hose-Brake, Rear
9	3256-27	4	Washer-Flat
10	87-3920	8	Bushing
11	87-3110	2	Absorber-Shock
12	3256-6	4	Washer-Flat
13	3296-23	4	Nut-Lock, NI
14	87-3980	4	Shackle ASM
15	48-9520	2	Nut
16	87-4760	12	Bushing-Rubber
17	3296-76	8	Nut-Lock, NI
18	87-1490	2	Spring-Leaf, Rear
19	87-7470-03	2	Plate-Spring, Clamp
20	3234-38	24	Screw-HHF
21	87-3960	1	LH Spring Mount ASM
22	87-3940	1	RH Spring Mount ASM
23	3232-17	8	Screw-CARR
24	32128-23	24	Nut-HF

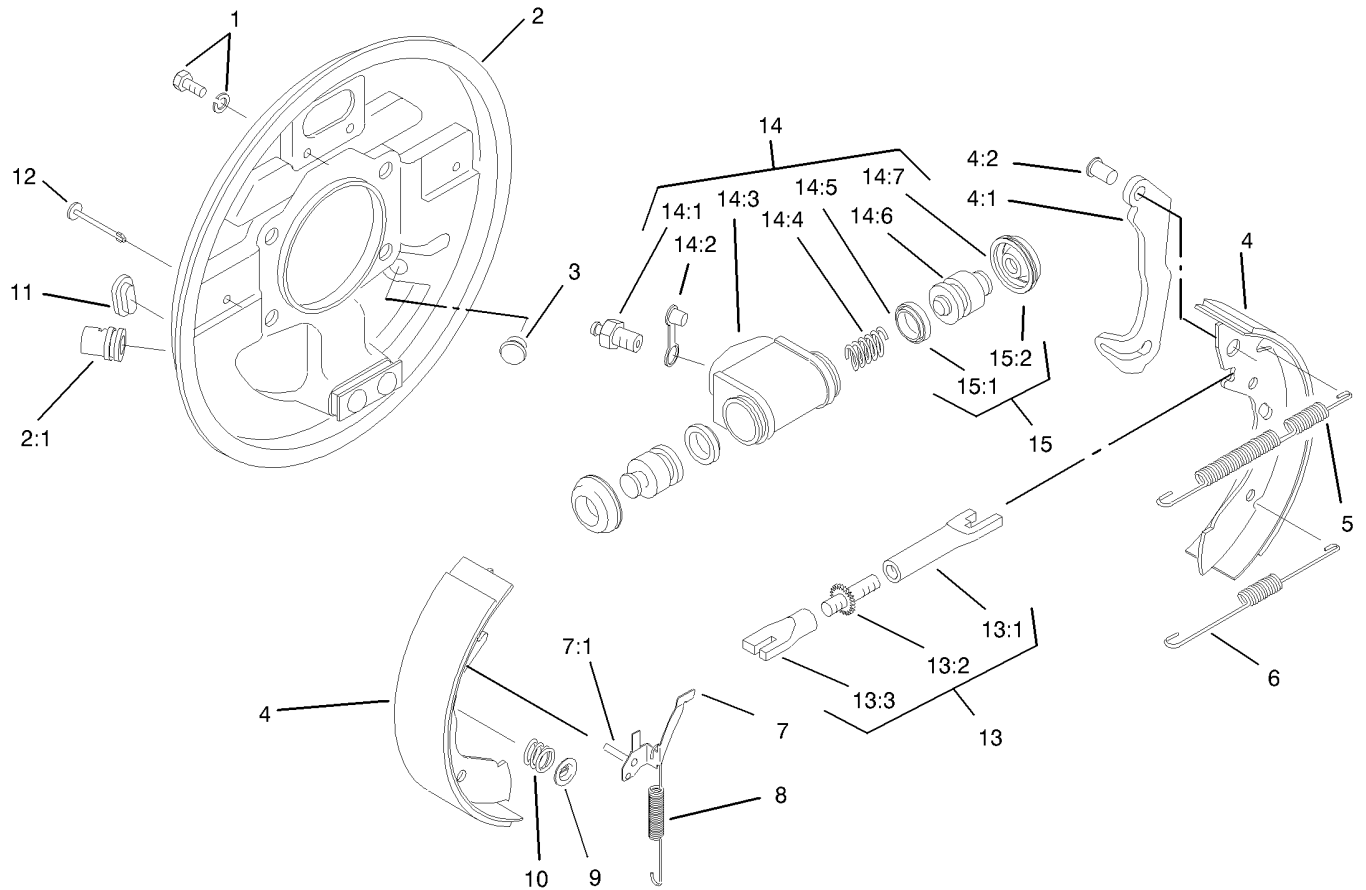
Ref	Part No.	Qty.	Description
25	94-3846	1	RH Rear Brake Tube ASM
26	87-3560	1	Tee
27	87-3470	2	Bumper-Axle, Rear
28	32148-9	8	Insert-Nut
29	3296-39	6	Nut-Lock, NI
31	87-7480	8	Washer
32	94-3845	1	RH Rear Brake Tube ASM
33	87-3570	2	Union
34	43-4300	1	Trim-Frame, Rear



Rear Axle Assembly

Ref	Part No.	Qty.	Description
1	87-4090	1	RH Rear Brake Tube ASM
2	87-3580	2	Clip-Retainer
3	3253-6	10	Washer-Lock
5	87-4080	1	LH Rear Brake Tube ASM
6	105-1764	2	Nut-Flange, Side Lock
7	104-9216	2	Washer-Hardened
8	87-2240-03	2	Housing-Axle
9	93-7126	1	LH Rear Brake ASM
10	93-7125	1	RH Rear Brake ASM
11	3253-21	8	Washer-Lock
12	323-6	8	Screw-HH
13	87-2080	10	Bolt-Hex, TAP
14	105-1717-03	2	Axle-Stub
15	93-7128	2	Drum-Brake
16		2	Tire And Wheel ASM
16:1	105-1781	1	Tire
16:2	87-6750	1	Wheel
16:3	232-27	1	Stem-Valve
17	23-7270	10	Nut-Wheel
18	87-1970	2	Bearing
19	87-4060	2	Spacer-Bearing, Wheel
20	87-3590	2	Seal-Bearing
21	87-7270	6	Washer-Thrust
22	325-20	5	Screw-HH

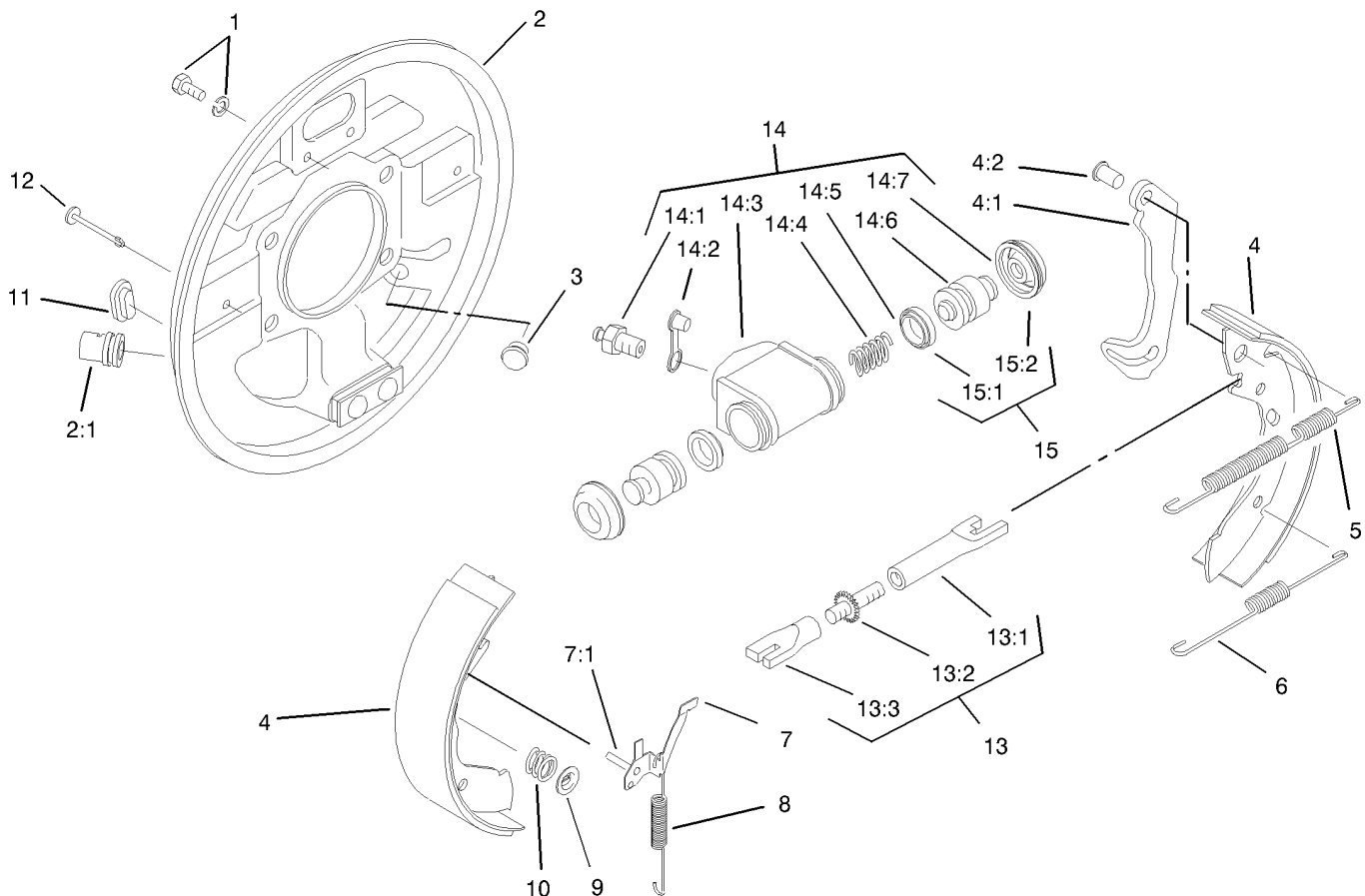
Ref	Part No.	Qty.	Description
23	325-19	1	Screw-HH
24	98-2918	2	Driveshaft ASM
25	32128-36	4	Nut-HF
26	98-2939	4	Screw-Cap
27	87-3310	2	Clip-Cable, Brake
28	80-6990	4	Washer-Hardened
30	105-7961	1	Rear Axle ASM
30:2	93-9442	1	Decal-Atf
30:3	93-9862	1	Decal-Danger
30:4	93-9449	2	Decal-Driveshaft
31	92-5951-03	1	Angle-Hitch
32	3296-39	4	Nut-Lock, NI
33	323-7	4	Screw-HH
35	92-4189	2	Strap Kit
35:2		1	Strap
36	92-4190	2	Yoke
37	105-1763	2	Screw-HHF



LH Rear Brake Assembly No. 93-7126

Ref	Part No.	Qty.	Description
1	92-4135	2	Bolt-Set
2	92-4136	1	LH Backplate ASM
●2:1		1	Guide-Pipe
3	92-4146	1	Plunger ASM
4	92-4143	1	Lined Shoe Kit
●4:1		1	Lever-Operating
●4:2		1	Pin
5	92-4147	1	Spring-Return, Shoe (Upper, LH)
6	92-4149	1	Spring-Return, Shoe (Lower)
7	92-4123	1	LH Pawl Lever ASM
●7:1		1	Pin-Pawl
8	92-4150	1	Spring-Adjuster, LH
9	92-4131	2	Washer-Hold Down, Shoe
10	92-4152	2	Spring-Hold Down, Shoe
11	92-4134	1	Plug-Inspection
12	92-4133	2	Pin-Hold Down, Shoe
13	92-4144	1	LH Adjuster ASM
●13:1		1	Pushrod-Female
●13:2		1	Bolt-Adjuster
●13:3		1	Sleeve-Adjuster
14	92-4140	1	LH Wheel Cylinder ASM
14:1	92-4137	1	Screw-Bleed
14:2	92-4114	1	Cap-Screw, Bleed
●14:3		1	Body

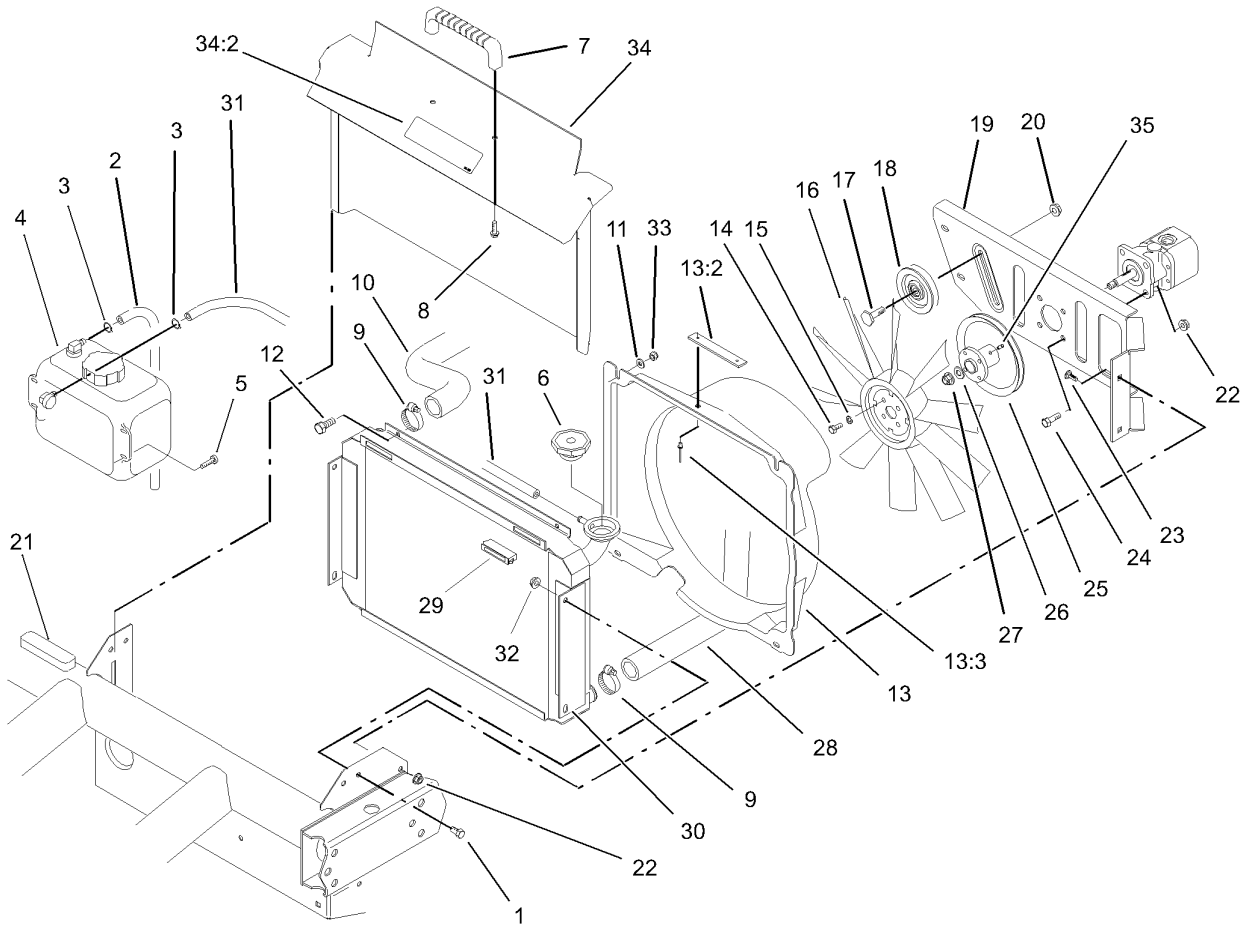
Ref	Part No.	Qty.	Description
●14:4		1	Spring
●14:5		2	Seal-L- Type
●14:6		2	Piston
●14:7		2	Cover-Dust
15	92-4142	1	Seal Kit
●15:1		2	Seal-L- Type
●15:2		2	Cover-Dust



RH Rear Brake Assembly No. 93-7125

Ref	Part No.	Qty.	Description
1	92-4135	2	Bolt-Set
2	92-4100	1	RH Backplate ASM
●2:1		1	Guide-Pipe
3	92-4146	1	Plunger ASM
4	92-4143	1	Lined Shoe Kit
●4:1		1	Lever-Operating
●4:2		1	Pin
5	92-4148	1	Spring-Return, Shoe (Upper, RH)
6	92-4149	1	Spring-Return, Shoe (Lower)
7	92-4124	1	RH Pawl Lever ASM
●7:1		1	Pin-Pawl
8	92-4151	1	Spring-Adjuster, RH
9	92-4131	2	Washer-Hold Down, Shoe
10	92-4152	2	Spring-Hold Down, Shoe
11	92-4134	1	Plug-Inspection
12	92-4133	2	Pin-Hold Down, Shoe
13	92-4145	1	RH Adjustor ASM
●13:1		1	Pushrod-Female
●13:2		1	Bolt-Adjuster
●13:3		1	Sleeve-Adjuster
14	92-4141	1	RH Wheel Cylinder ASM
14:1	92-4137	1	Screw-Bleed
14:2	92-4114	1	Cap-Screw, Bleed
●14:3		1	Body

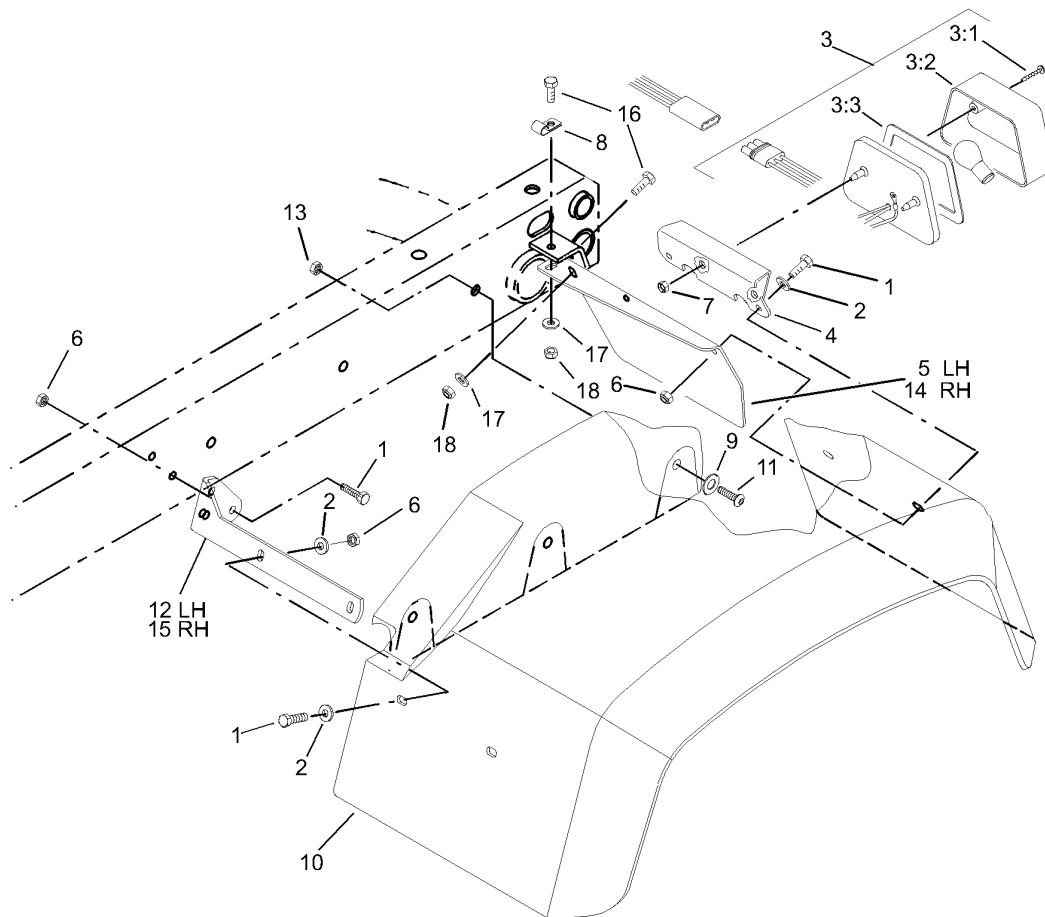
Ref	Part No.	Qty.	Description
●14:4		1	Spring
●14:5		2	Seal-L- Type
●14:6		2	Piston
●14:7		2	Cover-Dust
15	92-4142	1	Seal Kit
●15:1		2	Seal-L- Type
●15:2		2	Cover-Dust



Radiator and Hydraulic Pump Assembly

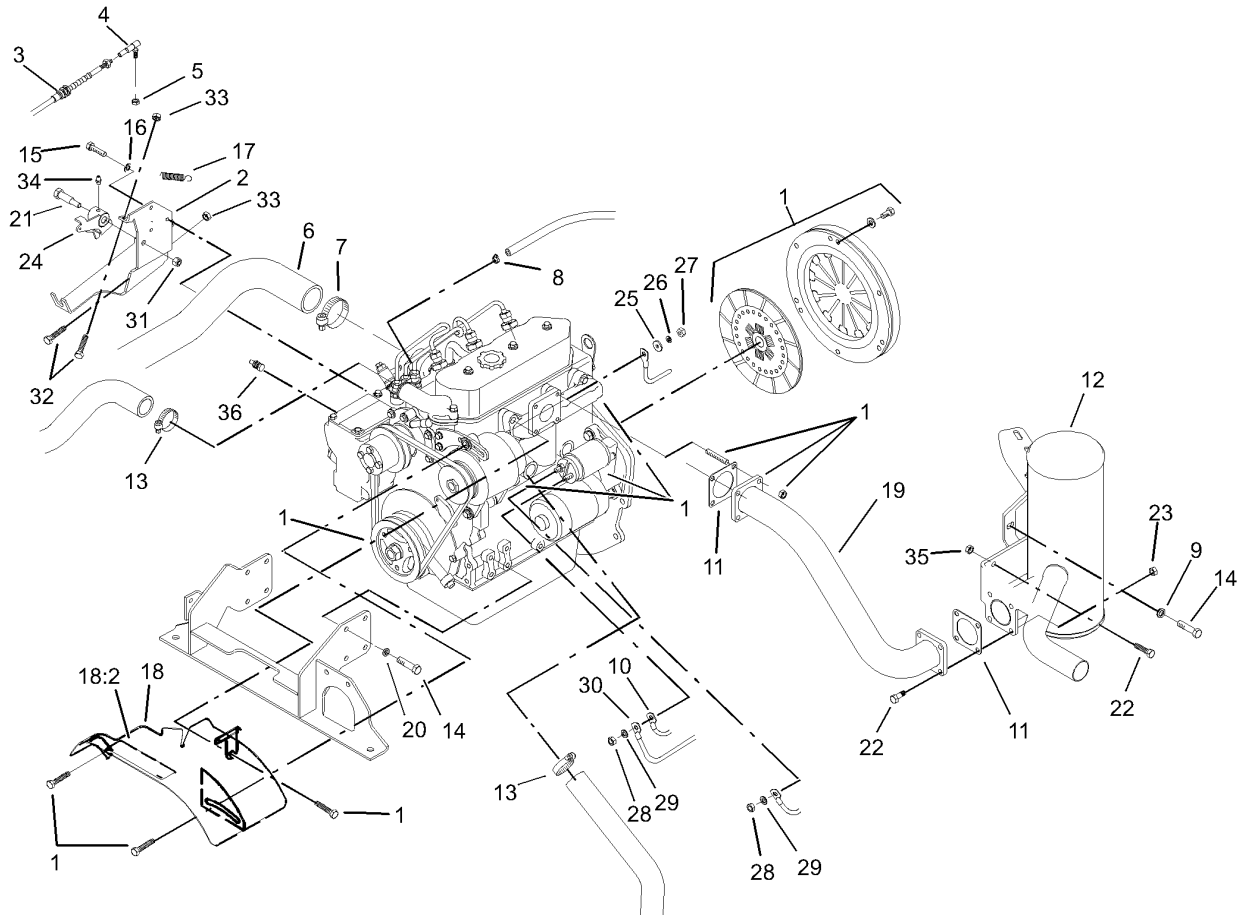
Ref	Part No.	Qty.	Description
1	322-2	4	Screw-HH
2	71-3381	1	Hose-Fuel
3	92-2379	2	Clamp-Hose
4	87-3710	1	Reservoir-Coolant
5	3250-20	4	Screw-PPH
6	66-3240	1	Cap-Radiator
7	65-5100	1	Handle-Door
8	46-8091	2	Screw-HWH
9	2412-34	2	Clamp-Hose
10	105-1724	1	Hose-Radiator, Upper
11	3256-22	4	Washer-Flat
12	321-4	4	Screw-HH
13	105-7956	1	Fan Shroud ASM
13:2	98-9335	1	Plate-Warning, Fan
13:3	3290-271	2	Rivet-Pop
14	321-3	4	Screw-HH
15	3253-3	4	Washer-Lock
16	84-1880	1	Fan
17	32141-86	1	Screw-Leveler
18	63-8140	1	Pulley-Idler
19	93-7088-03	1	Plate-Mount, Pump
20	3290-357	1	Nut-HHF, Whiz
21	87-9810	1	Foam-Overflow, Tank
22	3296-29	8	Nut-Lock, NI

Ref	Part No.	Qty.	Description
23	3230-23	4	Screw-CARR
24	322-5	4	Screw-HH
25	94-5237	1	Fan Hub ASM
26	3256-45	1	Washer-Flat
27	3296-5	1	Nut-Lock
28	105-1725	1	Hose-Radiator, Lower
29	58-4250	2	Catch-Magnetic
30	93-7051	1	Radiator
31	71-3383	1	Hose-Fuel
32	32128-20	4	Nut-HF
33	3296-42	4	Nut-Lock, NI
34	105-4223	1	Radiator Cover ASM
34:2	93-9447	1	Decal-Caution
35	3245-31	1	Screw-HSH



Tail Light and Fender Assembly

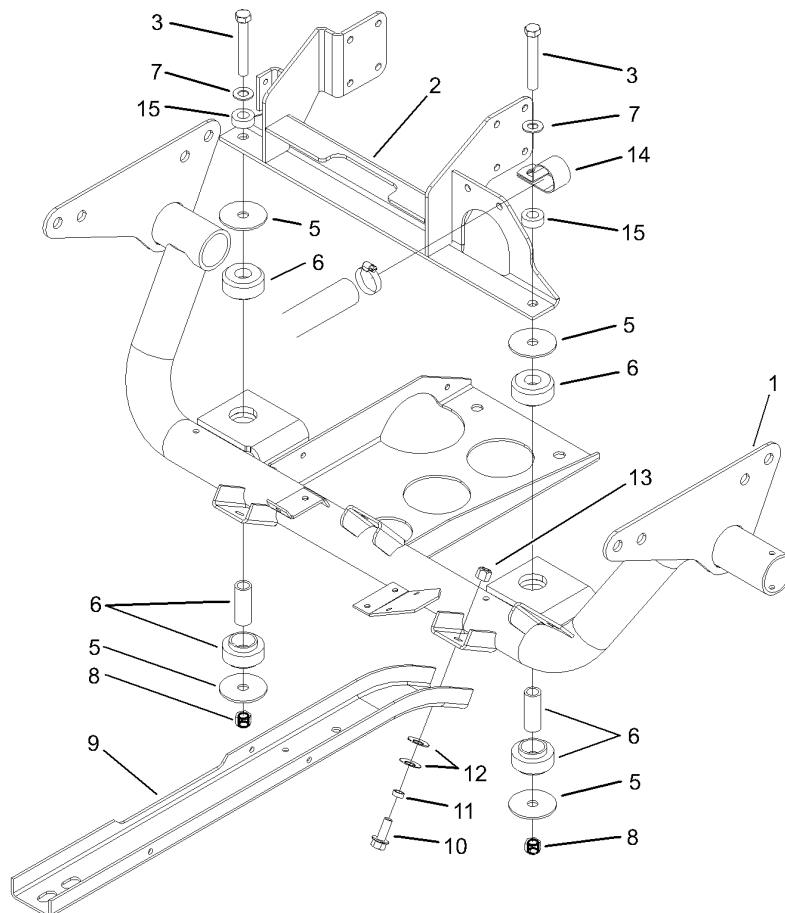
Ref	Part No.	Qty.	Description
1	321-6	12	Screw-HH
2	3256-22	12	Washer-Flat
3	87-2110	1	Light-Tail / Brake
3:1	32144-93	4	Screw-PPHTF
3:2	87-6300	2	Lens-Light, Tail
3:3	87-6310	2	Gasket-Light, Tail
4	87-5770-03	1	Bracket-Light, Tail
5	93-8943-03	1	Bracket-Fender, LH Rear
6	3296-42	12	Nut-Lock, NI
7	3290-506	2	Palnut
8	2412-93	1	Clamp-R
9	3256-24	6	Washer-Flat
10	87-6660	2	Fender-Rear, 24 Inch
11	3274-94	6	Screw-HSBH
12	93-8941-03	1	Bracket-Fender, Front LH
13	3296-39	6	Nut-Lock, NI
14	93-8944-03	1	Bracket-Fender, Rear RH
15	93-8942-03	1	Bracket-Fender, Front RH
16	322-5	4	Screw-HH
17	3256-23	4	Washer-Flat
18	3296-29	4	Nut-Lock, NI



Engine Assembly

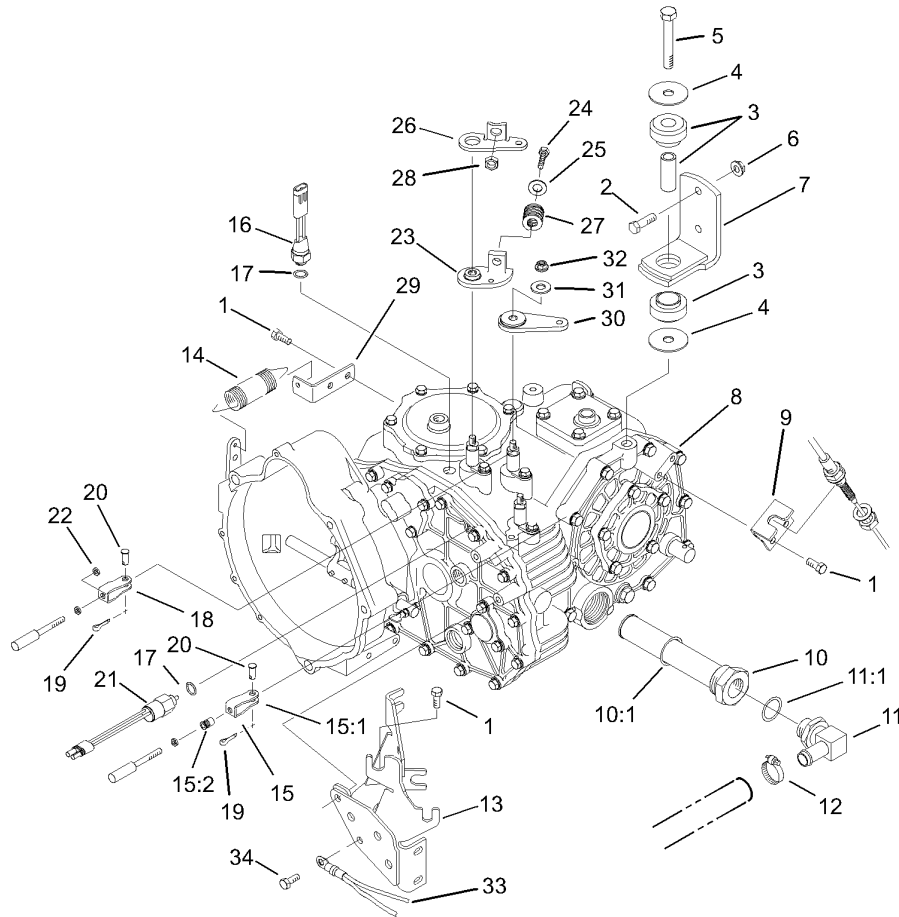
Ref	Part No.	Qty.	Description
1	104-9218	1	Engine ASM
2	104-9244-03	1	Bracket-Throttle
3	105-1788	1	Cable-Accelerator
4	18-1720	1	Governor Ball Joint ASM
5	3296-3	1	Nut-Lock
6	105-1700	1	Hose-Air Intake, Gas
7	2412-92	1	Clamp-Hose
8	2412-108	2	Clamp-Worm
9	87-8640	1	Washer-Flat
10	99-3441	1	Harness-Wire, Fusible Link
11	105-4209	2	Gasket-Muffler
12	105-1778	1	Muffler-Exhaust
13	2412-34	2	Clamp-Hose
14	33114-020	9	Screw-HH
15	33103-016	3	Screw-HHF
16	3253-3	3	Washer-Lock
17	87-4020	1	Spring-Extension
18	105-7995	1	Engine Cover ASM
18:2	93-7814	1	Decal-Danger
19	105-4186	1	Exhaust Tube ASM
20	3253-4	8	Washer-Lock
21	7-0030	1	Bolt-Shoulder
22	322-5	6	Screw-HH
23	32128-25	4	Nut-HF

Ref	Part No.	Qty.	Description
24	104-9246-03	1	Plate-Throttle
25	3256-2	1	Washer-Flat
26	43-5920	1	Washer-Lock, Spring
27	48-7880	1	Nut-Hex
28	33014-00	2	Nut-Hex
29	3254-2	2	Washer-Lock, Internal
30	87-3070	1	Cable-Battery, Positive
31	3296-29	1	Nut-Lock, NI
32	321-8	2	Screw-HH
33	3218-1	2	Nut-Jam
34	302-5	1	Fitting-Grease
35	32128-20	2	Nut-HF
36	94-3457	1	Sender-Temperature



Engine Support Assembly

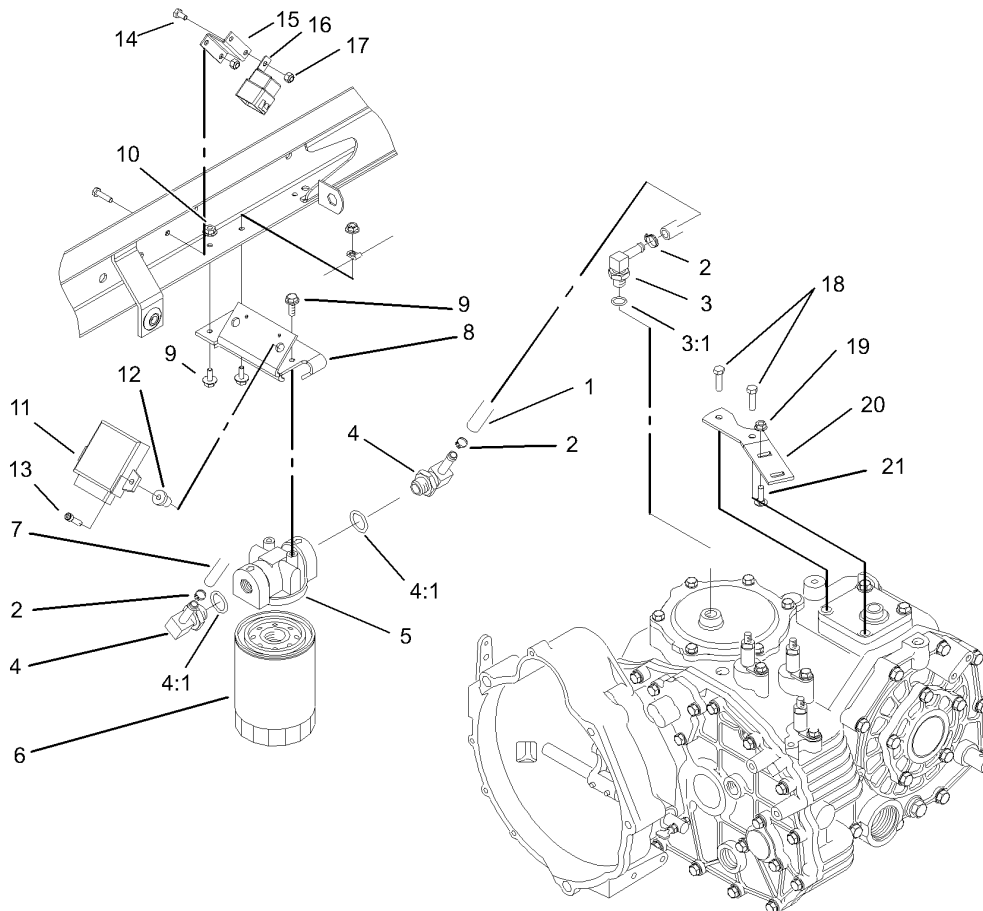
Ref	Part No.	Qty.	Description
1	105-4200-03	1	Engine Support ASM
2	104-9238-03	1	Engine Mount ASM
3	324-19	2	Screw-HH
5	87-5100	4	Washer-Snubbing
6	87-4970	2	Engine Mount ASM
7	3256-25	2	Washer-Flat
8	3296-48	2	Nut-Lock, NI
9	87-4730-03	2	Guard-Belly
10	3234-11	6	Screw-HHF
11	76-9100	6	Spacer-Speed, Reel
12	3290-413	12	Washer-Belleville
13	3296-39	6	Nut-Lock, NI
14	2412-82	1	Clamp
15	59-2290	2	Spacer



Transaxle Assembly

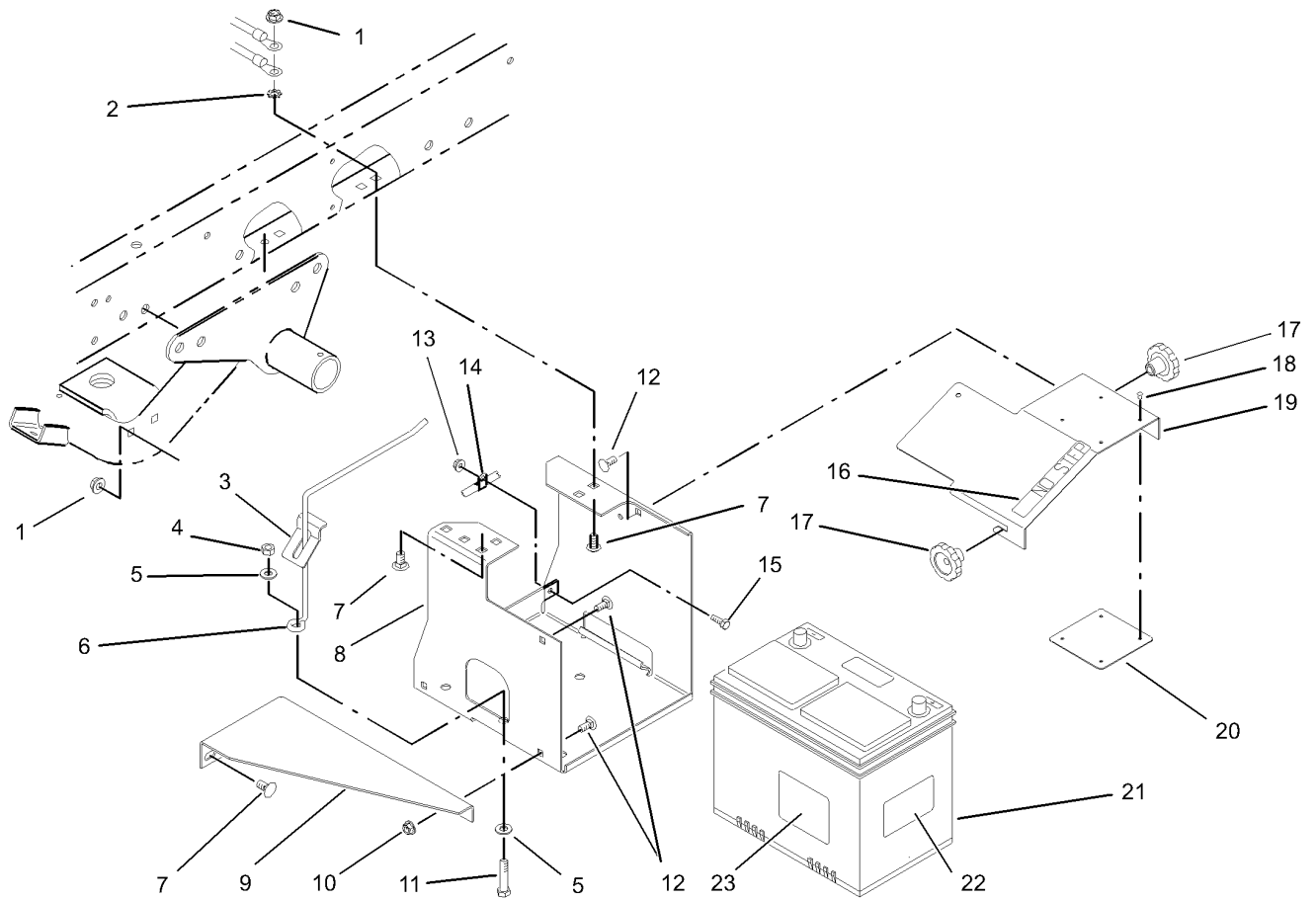
Ref	Part No.	Qty.	Description
1	33114-020	5	Screw-HH
2	323-7	4	Screw-HH
3	87-4970	2	Engine Mount ASM
4	87-5100	4	Washer-Snubbing
5	33116-080	2	Screw-HH
6	3296-39	4	Nut-Lock, NI
7	87-5800-03	2	Transaxle Mount ASM
8	105-4180	1	2 Wheel Drive Transaxle ASM
9	87-4470	1	Bracket-Lock, Differential
10	87-3990	1	Strainer-Transaxle
10:1	237-123	1	O-Ring
11	353-987	1	Fitting-HYD, 90
11:1	237-81	1	O-Ring
12	2412-34	1	Clamp-Hose
13	105-4207-03	1	Cable Mount ASM
14	68-9950	1	Spring-Traction
15	87-7160	1	Cable Clevis ASM
15:1	87-2310	1	Clevis-Cable
15:2	32148-15	1	Nut-Insert
16	72-4310	1	Switch-Ball
17	237-30	2	O-Ring
18	87-2310	2	Clevis-Cable
19	3272-6	3	Pin-Cotter
20	283-62	3	Pin-Clevis

Ref	Part No.	Qty.	Description
21	87-6710	1	Switch-Transmission
22	3220-1	2	Nut-Jam
23	87-7970	1	Arm-Shift
24	323-10	1	Screw-HH
25	3256-4	1	Washer-Flat
26	87-8250	1	Plate-Arm, Shift
27	87-6910	1	Spring-Compression
28	32128-21	1	Nut-HF
29	87-7170	1	Bracket-Spring, Clutch
30	87-7960	2	Lever-Shift
31	80-6990	3	Washer-Hardened
32	48-9520	3	Nut
33	87-3080	1	Cable-Battery, Negative
34	33114-025	2	Screw-HH



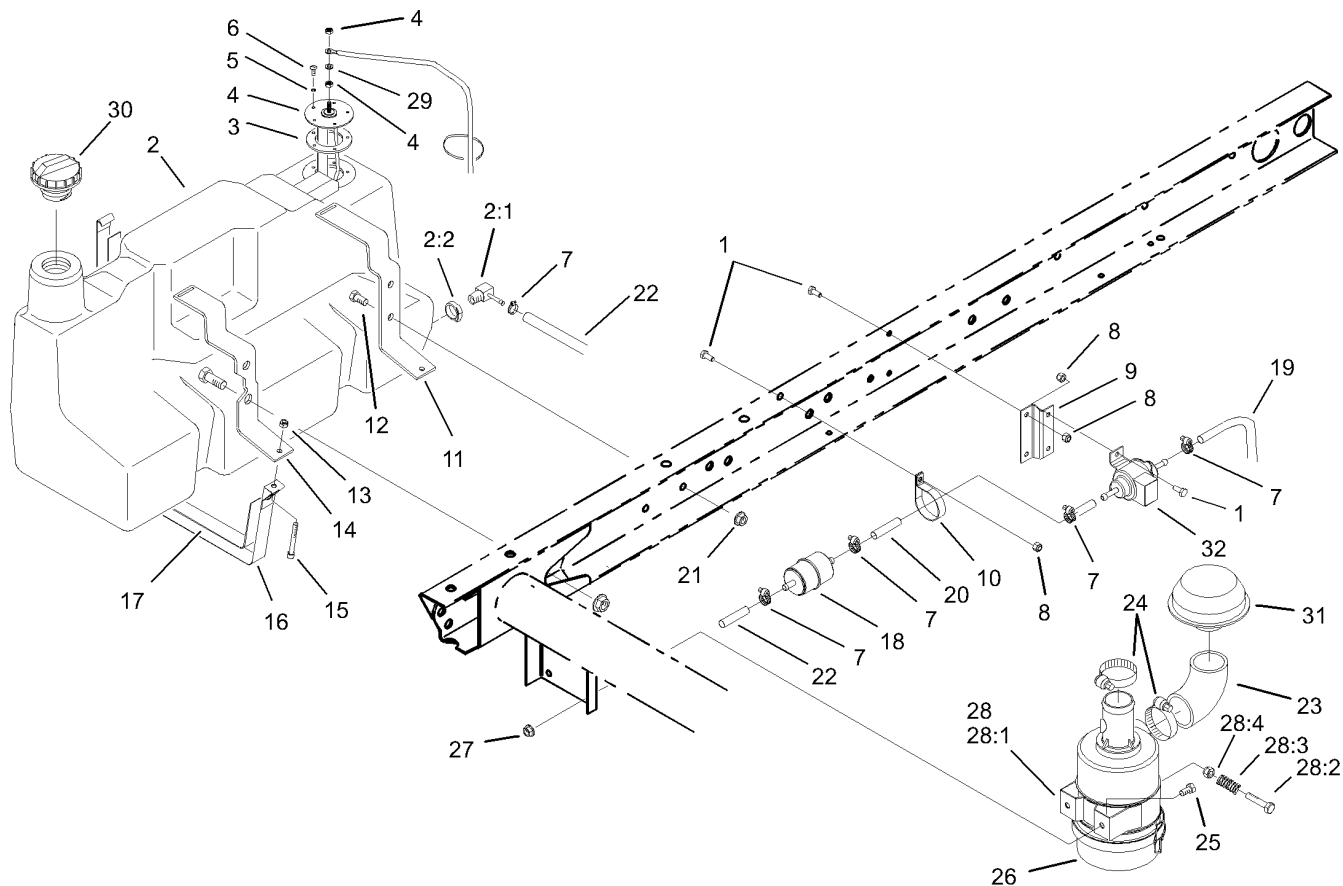
Hydraulic Filter Assembly

Ref	Part No.	Qty.	Description
1	87-5730	1	Hose
2	2412-36	3	Clamp-Hose
3	354-135	1	Fitting-HYD, 90 DEG
3:1	237-42	1	O-Ring
4	354-134	2	Fitting-HYD, 90 DEG
4:1	237-79	1	O-Ring
5	87-8780	1	Head-Filter
6	54-0110	1	Filter-Oil, Transmission
7	94-5255	1	Hose ASM
8	105-4199	1	Bracket-Mount, Filter
9	3234-4	3	Screw-HHF
10	32128-33	1	Nut-HF
11	105-1768	1	Ecm
12	32117-1	2	Nut-Insert
13	3274-9	2	Screw-HSH
14	321-2	2	Screw-HH
15	105-1776	1	Bracket-Mount, Relay
16	99-7430	2	Relay
17	32128-33	2	Nut-HF
18	33114-030	2	Screw-HH
19	32128-20	2	Nut-HF
20	105-9472	1	Plate-Mount, Muffler
21	3230-2	2	Bolt-CARR



Battery Assembly

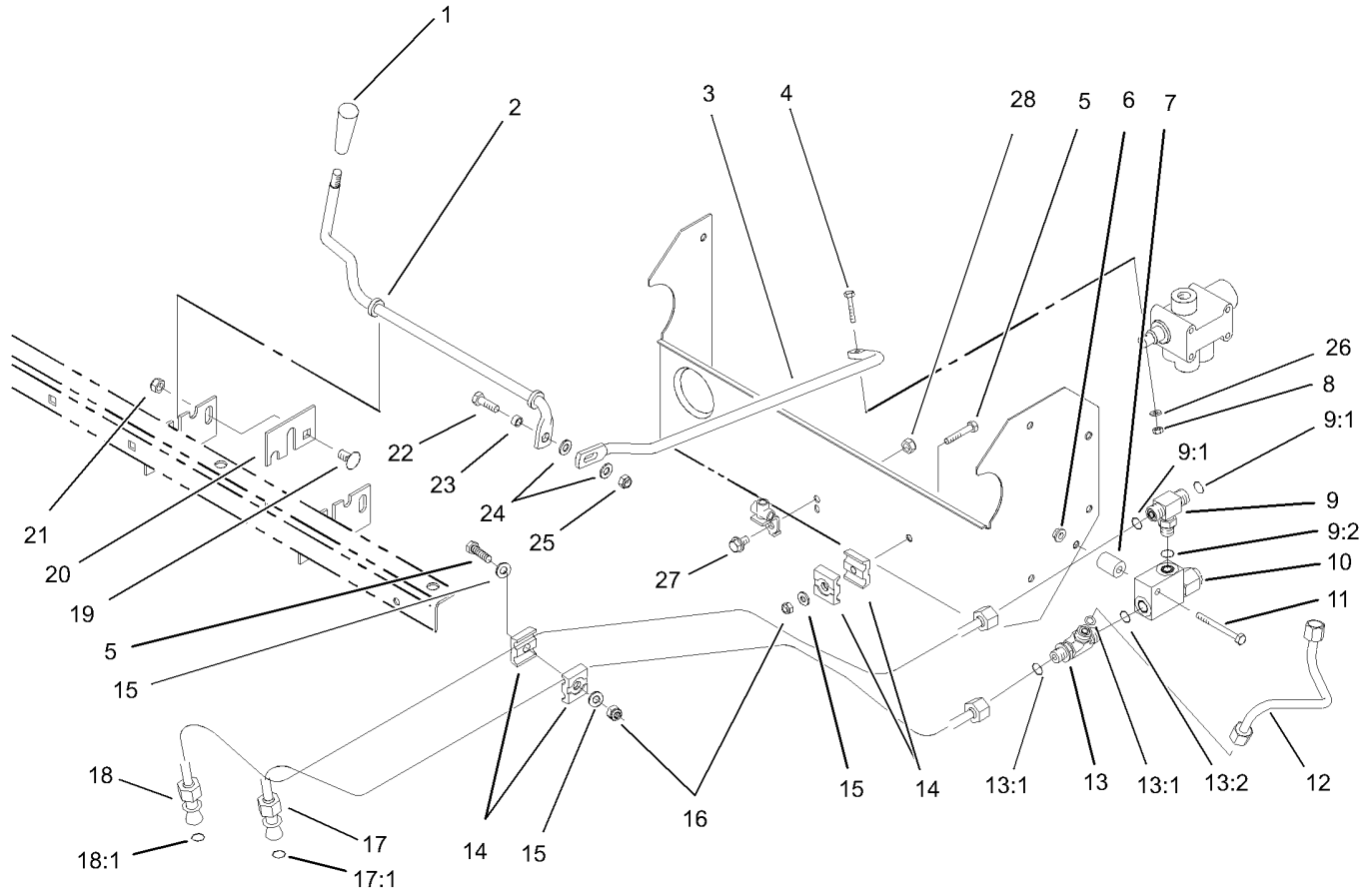
Ref	Part No.	Qty.	Description
1	3290-357	6	Nut-HHF, Whiz
2	3255-9	1	Washer-Lock, EXT
3	87-7610	1	Tab-Support, Battery
4	3296-39	1	Nut-Lock, NI
5	3256-24	2	Washer-Flat
6	87-7600	1	Rod-Support, Battery
7	3231-21	6	Screw-CARR
8	87-5120-03	1	Bracket-Holder, Battery
9	87-5110-03	1	Support-Base, Battery
10	32128-20	2	Nut-HF
11	323-9	1	Screw-HH
12	3230-23	4	Screw-CARR
13	32128-33	1	Nut-HF
14	2412-89	1	Clamp
15	321-4	1	Screw-HH
16	93-6687	1	Decal-No Step
17	19-4050	2	Knob
18	3269-27	4	Rivet-Snap
19	87-5130-03	1	Cover-Battery
20	87-7620	1	Shield-Terminal, Battery
21	63-9230	1	Battery-Dry
22	93-7276	1	Decal-Danger
23	93-6668	1	Decal-Battery



Fuel Tank and Air Cleaner Assembly

Ref	Part No.	Qty.	Description
1	321-3	5	Screw-HH
2	98-2919	1	Tank-Fuel
2:1	353-781	1	Fitting-Elbow
2:2	2412-36	1	Clamp-Hose
3	62-7650	1	Gasket
4	63-7640	1	Sender-Fuel
5	3253-15	5	Washer-Lock
6	32122-24	5	Screw-PTH
7	2412-108	5	Clamp-Worm
8	32128-33	5	Nut-HF
9	105-1774	1	Bracket-Pump, Fuel
10	2412-148	1	Clamp-R
11	87-3140-03	1	Support-Gas Tank, Rear
12	323-4	2	Screw-HH
13	3296-42	2	Nut-Lock, NI
14	87-3150-03	1	Support-Gas Tank, Front
15	3274-54	2	Screw-HSH
16	87-3160	2	Strap-Tank, Gas
17	87-3170	2	Felt-Strap
18	105-8045	1	Filter-Fuel
19	94-1349	1	Hose-Fuel
20	80-7360	1	Hose-Fuel
21	3290-357	2	Nut-HHF, Whiz
22	63-9640	1	Hose

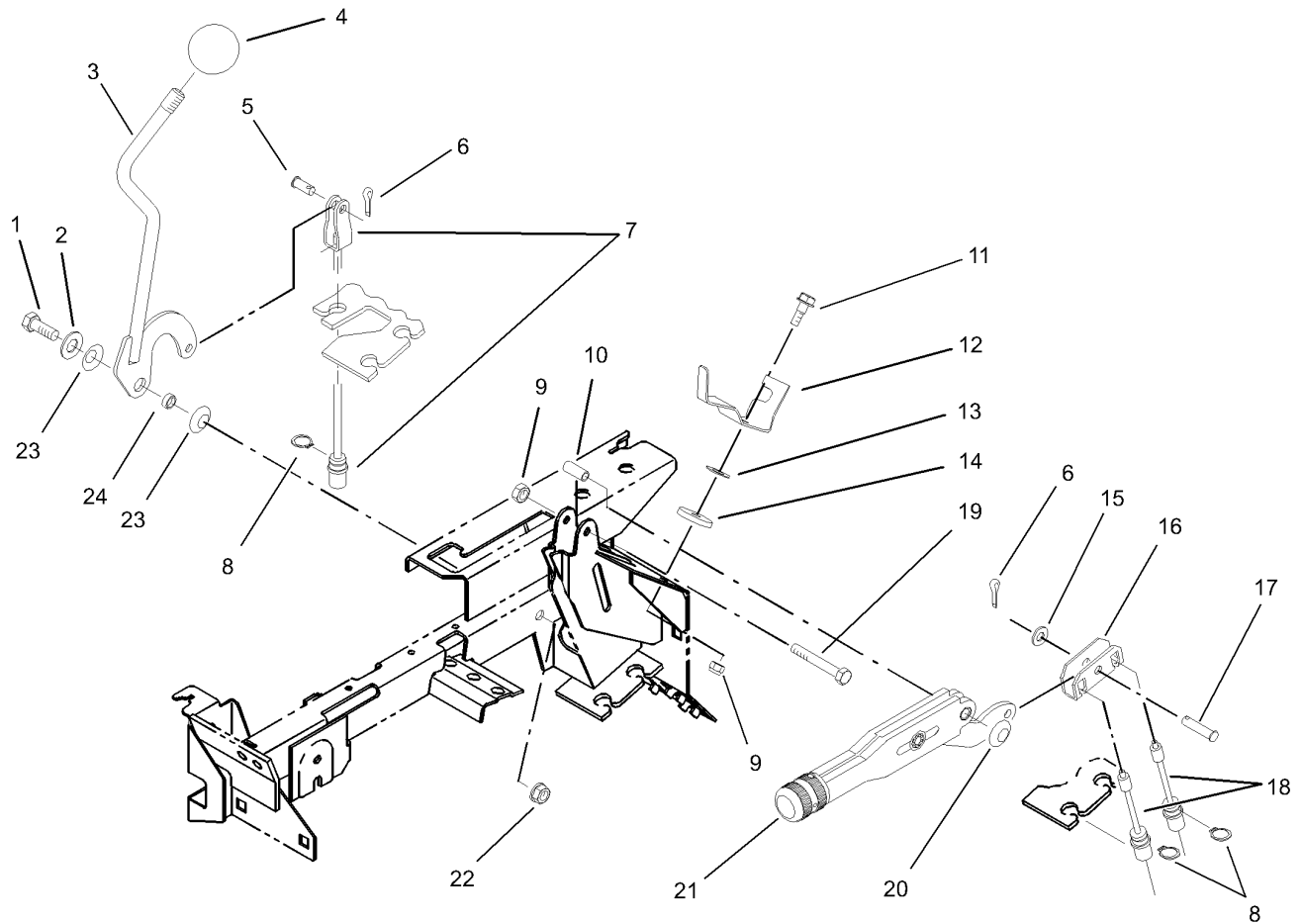
Ref	Part No.	Qty.	Description
23	94-5248	1	Elbow-Intake, Air
24	2412-92	2	Clamp-Hose
25	322-2	2	Screw-HH
26	106-6732	1	Air Cleaner ASM
27	32128-20	2	Nut-HF
28	93-2191	1	Band-Mounting, Air Cleaner
28:1		1	Clamp ASM
28:2	94-3653	1	Bolt
28:3	94-3654	1	Spring
28:4	48-9510	1	Nut
29	5-3637	1	Spacer
30	93-3101	1	Cap-Fuel
31	46-7510	1	Hood-Inlet, Air
32	99-9196	1	Pump-Fuel



Lift Valve Linkage Assembly

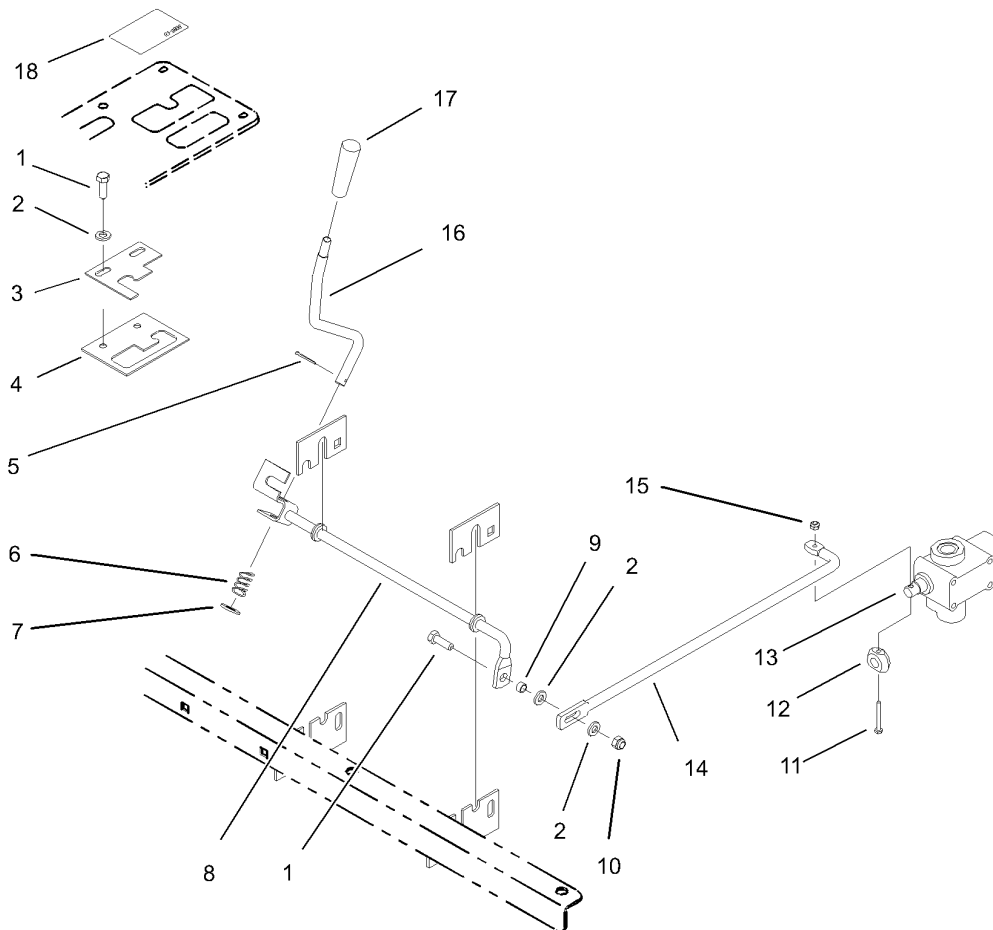
Ref	Part No.	Qty.	Description
1	233-39	1	Knob-Control
2	87-4500	1	Rod-Pivot, Pump
3	87-4510	1	Rod-Connecting Dump
4	87-5150	1	Bolt
5	321-9	2	Screw-HH
6	32128-33	1	Nut-HF
7	75-9610	1	Support-Radiator
8	87-5140	1	Nut-Lock
9	340-94	1	Adapter
9:1	237-22	2	O-Ring
9:2	237-42	1	O-Ring
10	87-3680	1	Valve-Relief
11	321-15	1	Screw-HH
12	92-2622	1	Hardline-Rel/Remote
13	340-86	1	Fitting-HYD, Tee
13:1	237-22	2	O-Ring
13:2	237-42	1	O-Ring
14	56-7973	4	Clamp-Tube
15	3256-22	3	Washer-Flat
16	3296-42	2	Nut-Lock, NI
17	87-9350	1	Hardline-Steering
17:1	39-7310	1	Seal-O Ring
18	87-4540	1	Hardline-Steering
18:1	39-7310	1	Seal-O Ring

Ref	Part No.	Qty.	Description
19	3231-21	2	Screw-CARR
20	87-4490	2	Bracket-Hold Down
21	3296-39	2	Nut-Lock, NI
22	322-5	1	Screw-HH
23	87-5080	1	Spacer-Rod, Connecting
24	3256-23	2	Washer-Flat
25	3296-29	1	Nut-Lock, NI
26	3256-14	1	Washer-Flat
27	322-2	1	Screw-HH
28	32128-20	1	Nut-HF



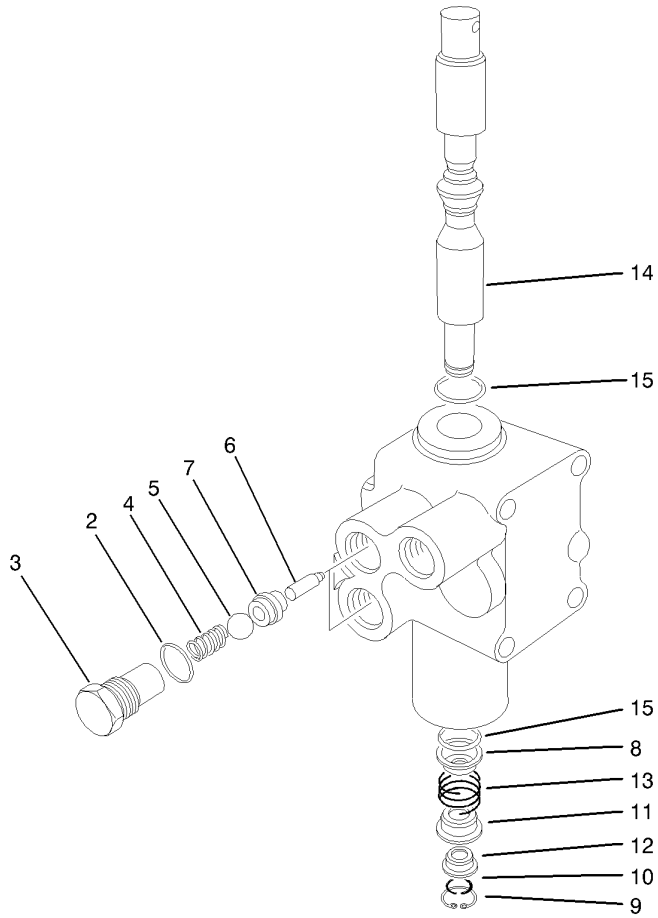
Differential Lock and Parking Brake Assembly

Ref	Part No.	Qty.	Description
1	323-6	1	Screw-HH
2	49-9150	1	Washer-Pivot
3	87-5030	1	Lever-Lock, Differential
4	233-48	1	Knob
5	283-62	1	Pin-Clevis
6	3272-6	2	Pin-Cotter
7	87-4460	1	Cable-Lock, Differential
8	32120-47	3	Ring-Retaining, External
9	3296-42	2	Nut-Lock, NI
10	87-4710	1	Spacer-Brake, Parking
11	42-3560	1	Bolt-Shoulder
12	87-6640-03	1	Lever-Dump Stop
13	3290-478	1	Washer-Belleville
14	71-5320	1	Washer-Support, Engine
15	3256-23	1	Washer-Flat
16	87-3480	1	Bracket-Equalizer, Cable
17	94-3829	1	Pin-Clevis
18	87-8240	2	Cable-Brake
19	321-9	1	Screw-HH
20	3290-477	1	Washer-Curved
21	87-2710	1	Lever-Brake
22	3296-39	1	Nut-Lock, NI
23	3290-221	2	Washer-Spring
24	76-2290	1	Spacer



Remote Hydraulic Assembly

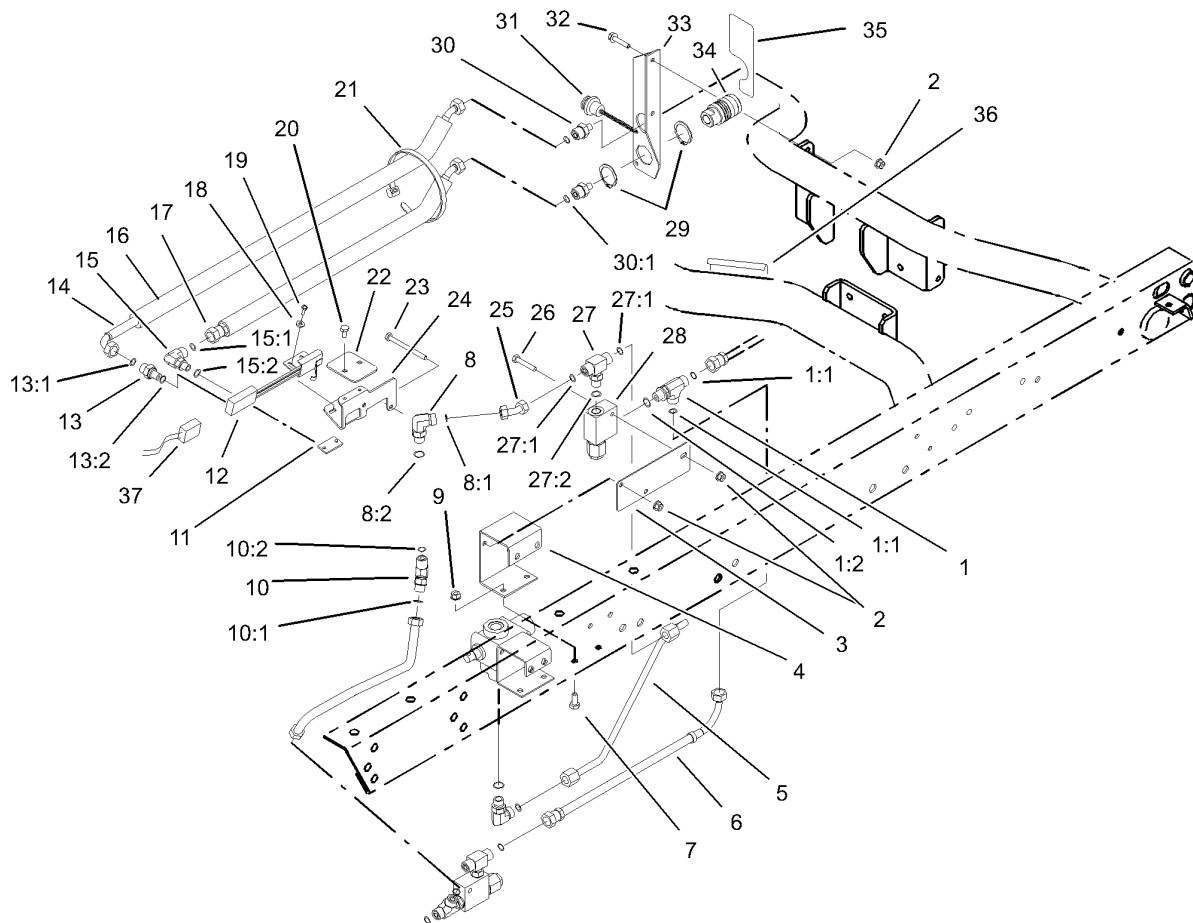
Ref	Part No.	Qty.	Description
1	322-5	3	Screw-HH
2	3256-23	4	Washer-Flat
3	87-4680-03	1	Plate-Detent, Upper
4	87-4670-03	1	Plate-Detent
5	3272-7	1	Pin-Cotter
6	66-4850	1	Spring-Compression
7	3256-25	1	Washer-Flat
8	87-4610	1	Rod-Auxiliary
9	87-5080	1	Spacer-Rod, Connecting
10	3296-29	1	Nut-Lock, NI
11	32105-5	1	Screw
12	93-9542	1	Cam-Switch
13	43-1710-01	1	Valve ASM
14	93-9536	1	Rod-Connecting, Aux HYD
15	3296-2	1	Nut-Lock
16	87-4580	1	Rod-Lever, Auxiliary
17	233-39	1	Knob-Control
18	93-9866	1	Decal-Remote Hydraulics



Hydraulic Valve Assembly No. 43-1710-01

Ref	Part No.	Qty.	Description
2	237-42	2	O-Ring
3	22-8330	2	Plug
4	22-8340	2	Spring
5	22-8350	2	Ball
6	22-8360	2	Pin
7	22-8370	2	Seat-Valve
8	22-8380	1	Retainer
9	22-8490	1	Ring-Snap
10	22-8480	1	Ring-Snap
11	22-8390	1	Retainer
12	22-8400	1	Spacer
13	22-8410	1	Spring
14	22-8420	1	Spool
15	22-8500	2	O-Ring

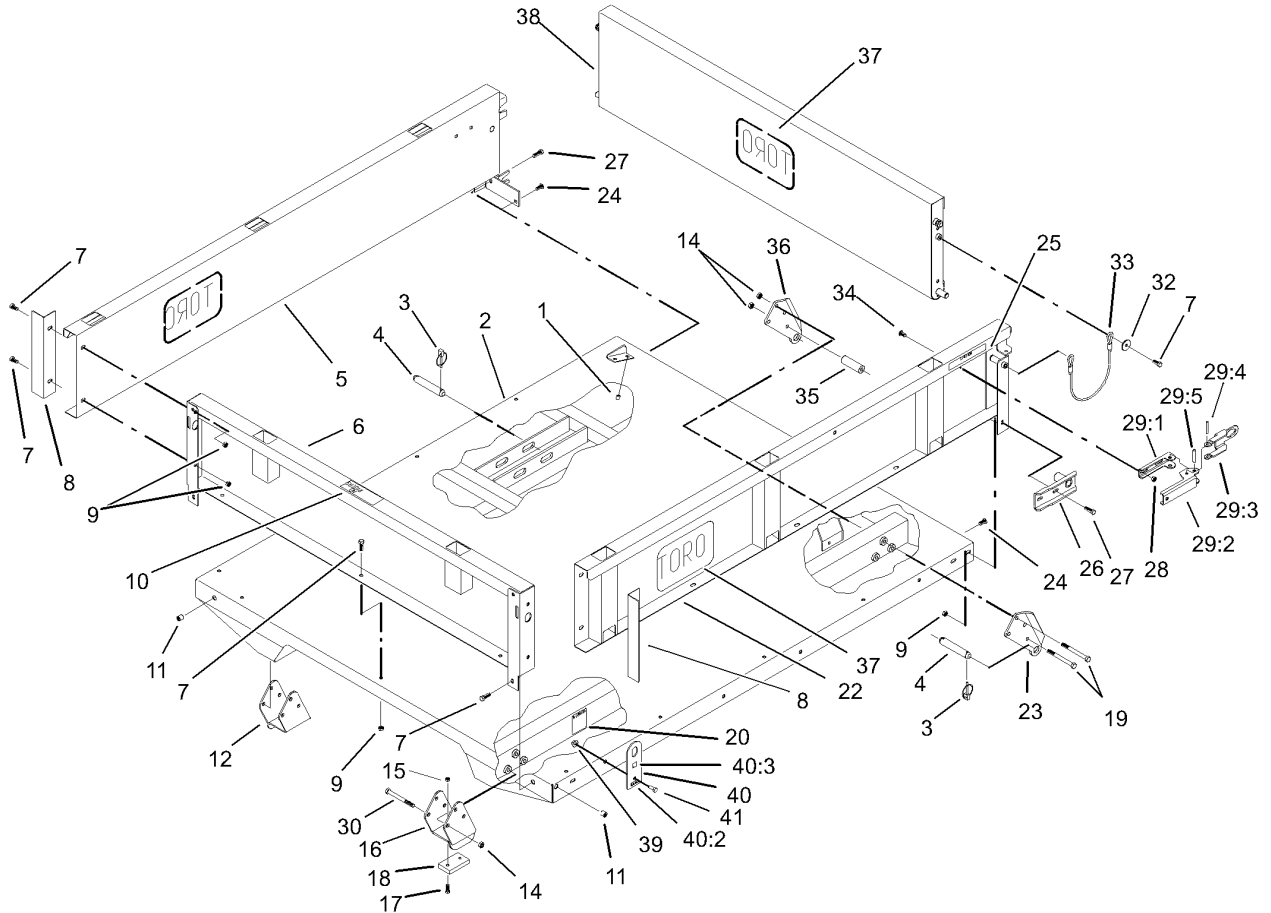
--	--	--	--



Remote Hydraulics

Ref	Part No.	Qty.	Description
1	340-86	1	Fitting-HYD, Tee
1:1	237-22	2	O-Ring
1:2	237-42	1	O-Ring
2	32128-33	5	Nut-HF
3	92-2623-03	1	Plate-Valve, Relief
4	87-4620-03	1	Bracket-Valve, Aux
5	93-9535	1	Hardline-Dump / Remote
6	92-2624	1	Hose ASM
7	322-3	4	Screw-HH
8	340-77	1	Fitting-HYD, 90 DEG
8:1	237-22	1	O-Ring
8:2	237-42	1	O-Ring
9	32128-20	4	Nut-HF
10	340-87	1	Fitting-HYD, 45 DEG
10:1	237-22	1	O-Ring
10:2	237-42	1	O-Ring
11	93-9539	1	Strip-Tapped
12	92-7905	1	Switch And Bracket ASM
13	340-88	1	Adapter
13:1	237-22	1	O-Ring
13:2	237-78	1	O-Ring
14	92-2606	1	Hose ASM
15	340-97	1	Fitting-HYD, 90 DEG
15:1	237-22	1	O-Ring

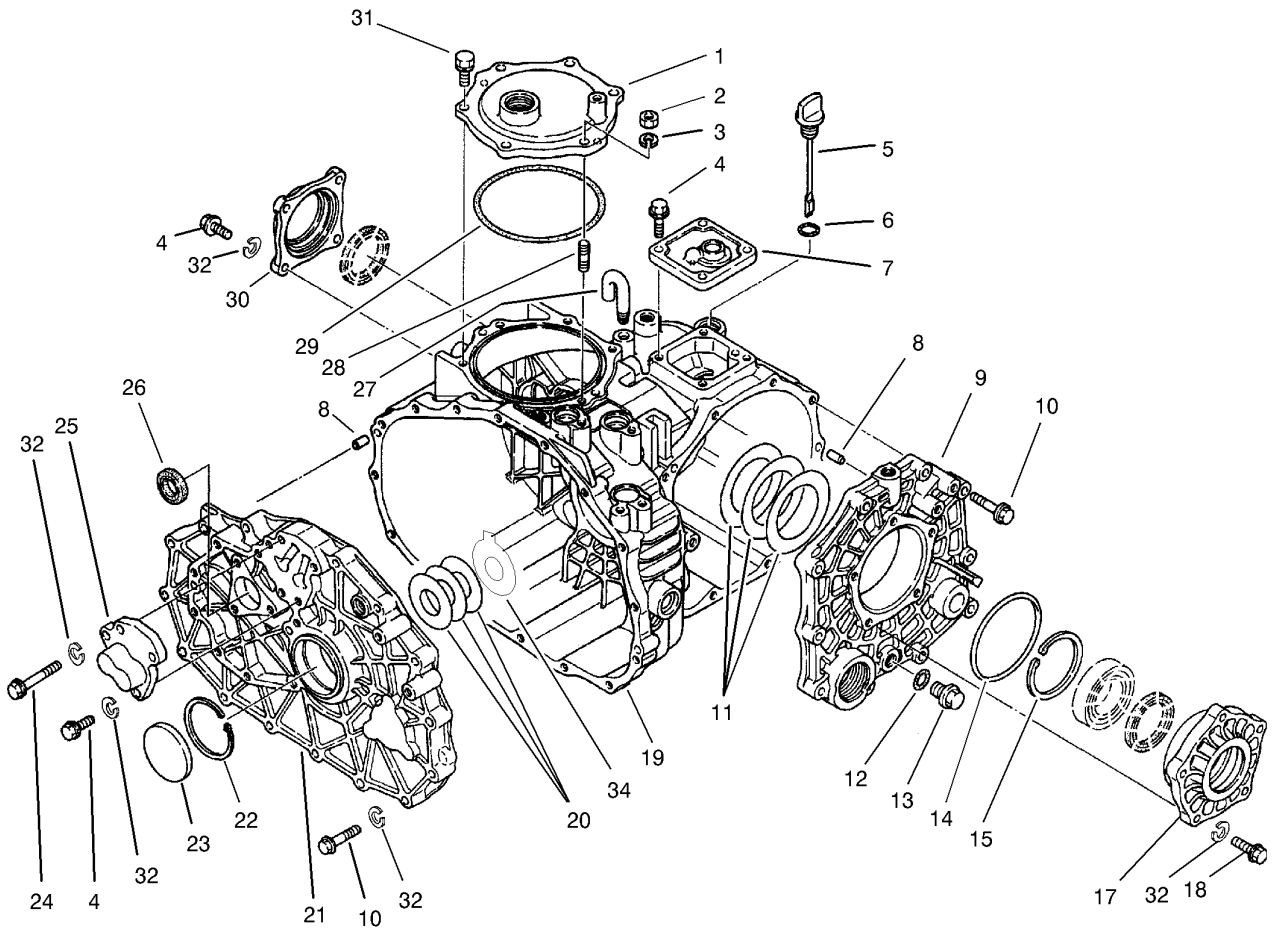
Ref	Part No.	Qty.	Description
15:2	237-78	1	O-Ring
16	93-9540	2	Sleeve-Protective
17	92-2605	1	Hose ASM
18	3256-14	2	Washer-Flat
19	32105-8	2	Screw-SHH
20	321-2	2	Screw-HH
21	3290-378	6	Tie-Cable
22	93-9538	1	Cover-Switch, Aux HYD
23	321-23	2	Screw-HH
24	93-9537	1	Bracket-Mounting, Switch
25	92-2620	1	Hardline-Rel / Remote
26	321-9	1	Screw-HH
27	340-94	1	Adapter
27:1	237-22	2	O-Ring
27:2	237-42	1	O-Ring
28	92-2625	1	Valve-Relief
29	92-2601	4	Ring-Retaining
30	340-12	2	Fitting-Straight
30:1	237-22	1	O-Ring
31	92-2603	2	Plug-Dust
32	3234-21	2	Screw-Cap
33	92-2604-03	1	Bracket-Coupler
34	92-2602	2	Coupling-HYD, Female
35	93-9089	1	Decal-Quick Couplers



Full Bed and Side Panel Assembly

Ref	Part No.	Qty.	Description
1	32148-6	4	Insert-Nut
2	93-9724-03	1	Flatbed-Full
3	92-1298	8	Pin-Lynch
4	92-1233	4	Pin-Clevis
5	92-1255-03	1	RH Side Panel ASM
6	92-5974-03	1	Front Panel ASM
7	3234-7	21	Screw-HHF
8	92-1320-03	2	Angle-Side
9	32128-35	23	Nut-HF
10	93-6689	1	Decal-No Riders
11	32148-7	4	Nut-Insert
12	106-2423-03	1	RH Spacer Bracket ASM
14	3296-44	14	Nut-Lock, NI
15	3296-42	4	Nut-Lock, NI
16	106-2422-03	1	LH Spacer Bracket ASM
17	3250-45	4	Screw-SPH
18	93-9719	2	Block-Wear
19	323-42	8	Screw-HH
20	93-9899	2	Decal-Warning
22	92-1248-03	1	LH Side Panel ASM
23	93-9720-03	2	Bracket-Pivot, Long (LH)
24	3230-1	2	Bolt-CARR
25	93-9868	2	Decal-Caution
26	92-1265-03	2	Bracket-Pivot

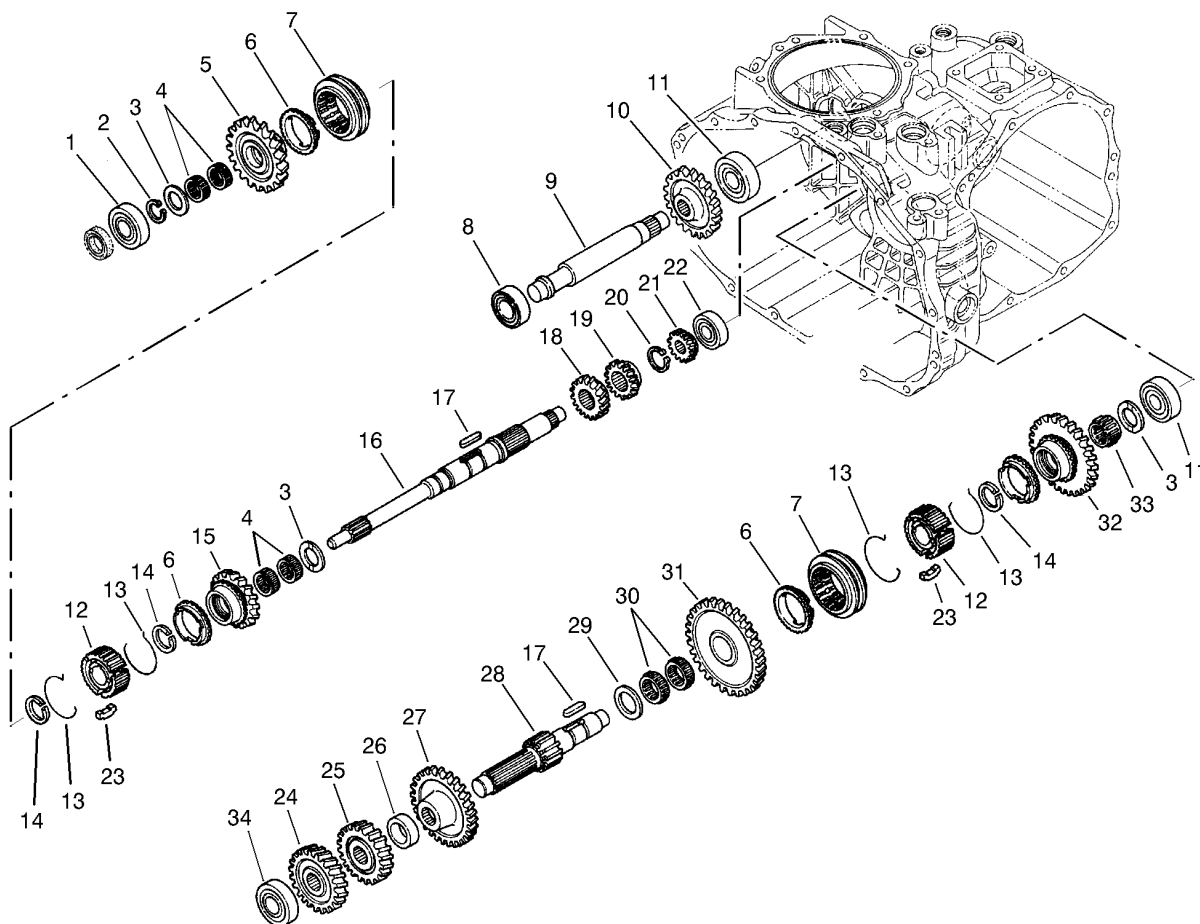
Ref	Part No.	Qty.	Description
27	3234-29	6	Screw-HHF
28	32128-20	4	Nut-HF
29	99-1123	2	Latch ASM
29:1	92-1271	1	Pivot-Latch
29:2	99-1113	1	Handle-Latch
29:3	99-1112	1	Plate-Retainer
29:4	32121-78	1	Pin-Roll
29:5	32121-25	1	Pin-Roll
30	3231-24	6	Screw-CARR
32	3256-57	4	Washer-Flat
33	93-9595	2	Lanyard
34	3230-15	4	Screw-CARR
35	93-9575	2	Tube-Pivot, Flatbed
36	93-9721-03	2	Bracket-Pivot, Long (RH)
37	105-4222	3	Decal
38	92-1259-03	1	Tailgate-Rear
39	32128-43	4	Nut-Flange
40	106-6733	4	Lift Plate ASM
40:2	93-9525	1	Decal
40:3	93-9084	1	Decal-Point, Lift
41	323-6	4	Screw-HH



Transaxle Case Assembly No. 105-4180

Ref	Part No.	Qty.	Description
1	92-0656	1	Cover-Upper, PTO
2	48-7930	1	Nut
3	92-0762	1	Washer-Spring
4	33114-025	11	Screw-HH
5	92-0662	1	Cap-Oil
6	92-0788	1	O-Ring
7	92-0652	1	Cover-Upper
8	92-0765	4	Pin-Parallel
9	92-0653	1	Cover-Side
10	42-9530	25	Bolt/Washer
11	92-0809	1	Set-Shim
12	92-0787	1	O-Ring
13	92-0773	1	Plug-Drain
14	92-0789	1	O-Ring
15	92-0760	1	Ring-Snap
17	92-0654	1	Carrier-Differential
18	48-7730	5	Screw-HH
19	92-0651	1	Case-Transmission
20	100-4460	1	Shim Set
21	100-4461	1	Plate-Center
22	92-0759	1	Ring-Snap
23	92-0807	1	Cap-Sealing
24	48-7560	1	Bolt-HH
25	92-0706	1	Shaft-Fork

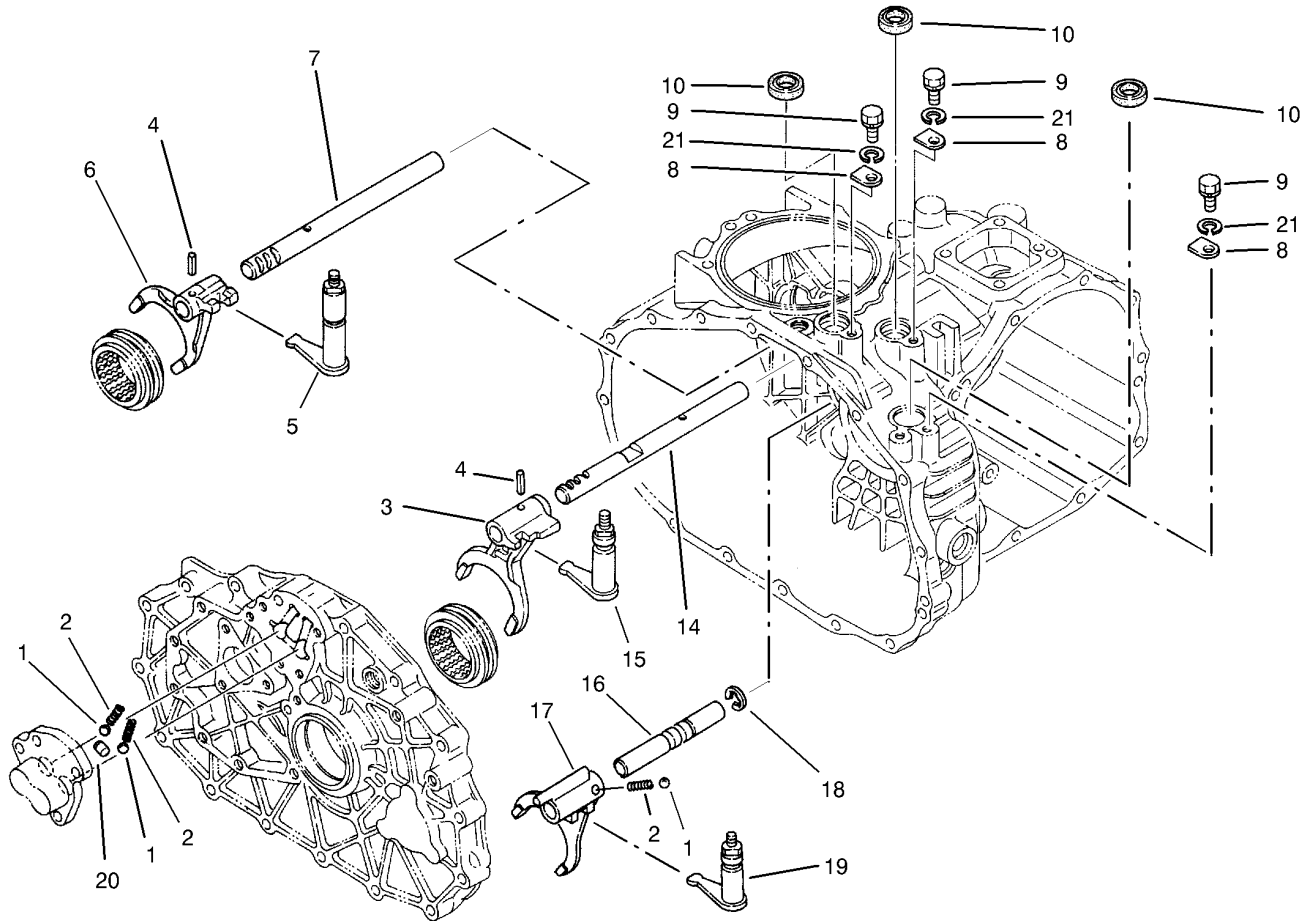
Ref	Part No.	Qty.	Description
26	92-0791	1	Seal-Oil
27	92-0743	1	Breather-Air
28	92-0804	1	Stud
29	92-0790	1	O-Ring
30	92-0655	1	Cover-Seal, Axle
31	92-0796	5	Bolt
32	42-9850	42	Washer-Lock, Spring
34	100-4465	1	Shim (W/Tab)



Transaxle Gear Shaft Assembly No. 105-4180

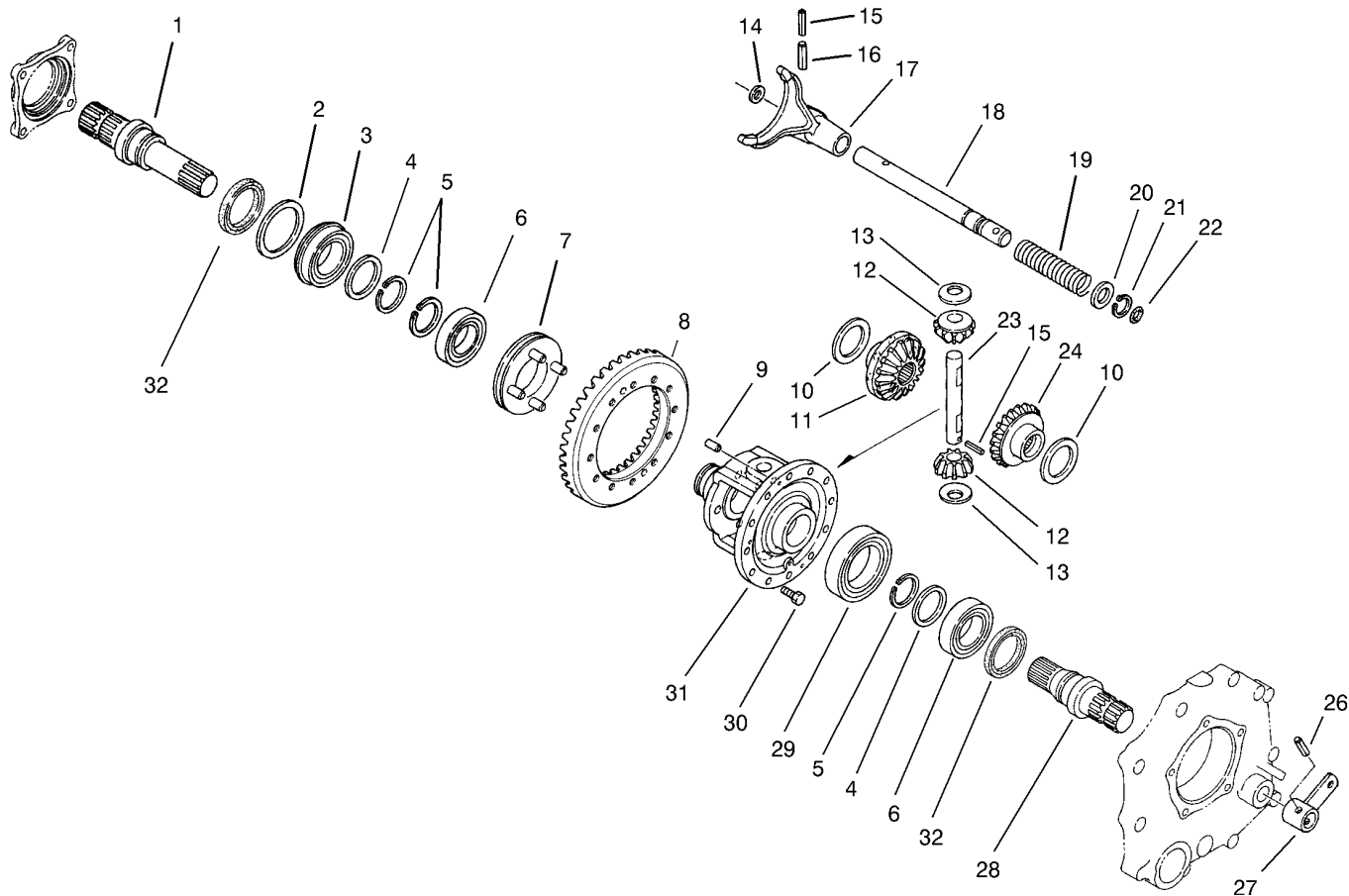
Ref	Part No.	Qty.	Description
1	251-8	1	Bearing-Ball
2	92-0753	1	Ring-Snap
3	92-0740	3	Washer-Thrust
4	92-0781	4	Bearing-Needle
5	92-0820	1	Gear-Main, 27 Tooth
6	92-0667	3	Ring-Synchro
7	92-0668	2	Shifter-Synchro
8	251-346	2	Bearing-Ball
9	92-0824	1	Shaft-Idler, Reverse
10	92-0684	1	Gear-Reverse, 33 Tooth
11	92-0778	2	Bearing
12	92-0664	2	Hub-Synchro
13	92-0666	4	Spring-Synchro
14	92-0763	3	Ring-Snap
15	92-0821	1	Gear-Main, 24 Tooth
16	92-0663	1	Shaft-Main
17	92-0772	2	Key
18	92-0687	1	Gear-Main, 16 Tooth
19	92-0672	1	Gear-Main, 18 Tooth
20	92-0754	1	Ring-Snap
21	92-0673	1	Gear-Main, 14 Tooth
22	92-0650	1	Bearing
23	92-0665	6	Key-Synchro
24	92-0822	1	Gear-Reduction, 28 Tooth

Ref	Part No.	Qty.	Description
25	92-0679	1	Gear-Reduction, H23 Tooth
26	92-0680	1	Collar
27	92-0823	1	Gear-Reduction, 43 Tooth
28	92-0674	1	Shaft-Reduction
29	92-0682	1	Washer-Thrust
30	92-0681	2	Bearing-Needle
31	92-0677	1	Gear-Reduction, 49 Tooth
32	92-0819	1	Gear-Reduction, 40 Tooth
33	92-0782	1	Bearing-Needle
34	105-7985	1	Bearing



Shift Fork Assembly No. 105-4180

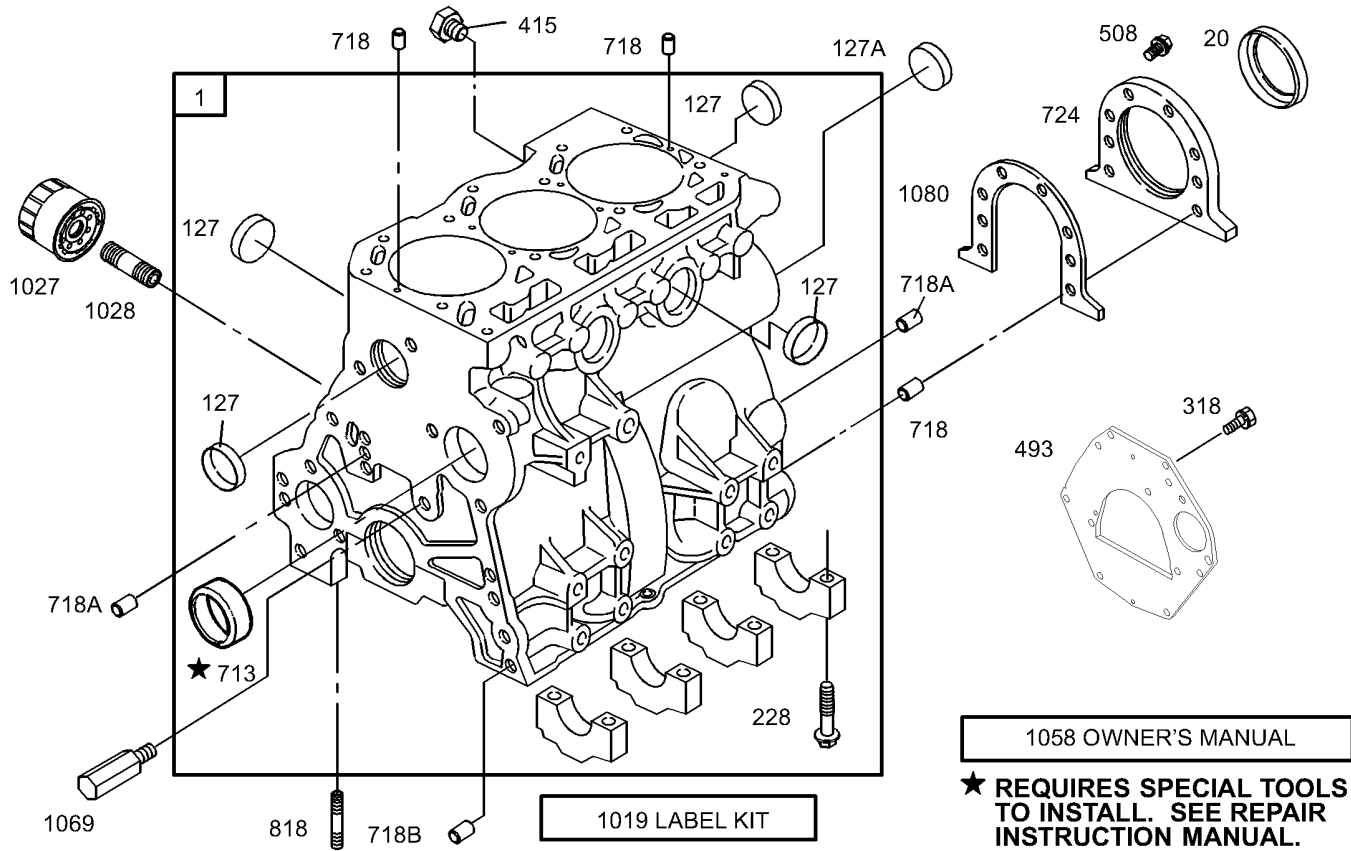
Ref	Part No.	Qty.	Description
1	92-0785	3	Ball-Steel
2	92-0731	3	Spring
3	92-0700	1	Fork-Shift
4	92-0769	2	Pin-Roll
5	92-0817	1	Arm-Shift
6	92-0701	1	Fork-Shift
7	92-0699	1	Shaft-Fork
8	92-0732	3	Plate-Keeper
9	48-7700	3	Screw-HH
10	92-0729	3	Seal-Oil
14	92-0698	1	Shaft-Fork
15	92-0816	1	Arm-Shift
16	92-0708	1	Shaft-Fork
17	92-0709	1	Fork-Shift
18	92-0761	1	Ring-E
19	92-0818	1	Arm-Shift
20	92-0705	1	Lock-Spindle
21	42-9850	3	Washer-Lock, Spring



Differential Gear Assembly No. 105-4180

Ref	Part No.	Qty.	Description
1	92-0726	1	Shaft-Axle, Right
2	92-0728	1	Washer
3	92-0780	1	Bearing
4	92-0727	2	Washer
5	92-0756	3	Ring-Snap
6	92-0775	2	Bearing
7	92-0730	1	Slider-Differential, Lock
8	105-7983	1	Countershaft And Ring Gear
9	92-0765	2	Pin-Parallel
10	92-0747	2	Side-Gear, Left Inner
11	92-0746	1	Gear-Side, RH
12	92-0748	2	Pinion-Differential
13	92-0750	2	Washer
14	92-0744	1	Washer
15	92-0768	2	Pin-Roll, Spring
16	92-0771	1	Pin-Roll, Spring
17	92-0721	1	Fork-Lock, Differential
18	92-0722	1	Shaft-Fork, Lock Differential
19	92-0723	1	Spring-Lock, Differential
20	92-0733	1	Washer
21	92-0753	1	Ring-Snap
22	92-0787	1	O-Ring
23	92-0749	1	Shaft-Pinion
24	92-0745	1	Gear-Side, LH

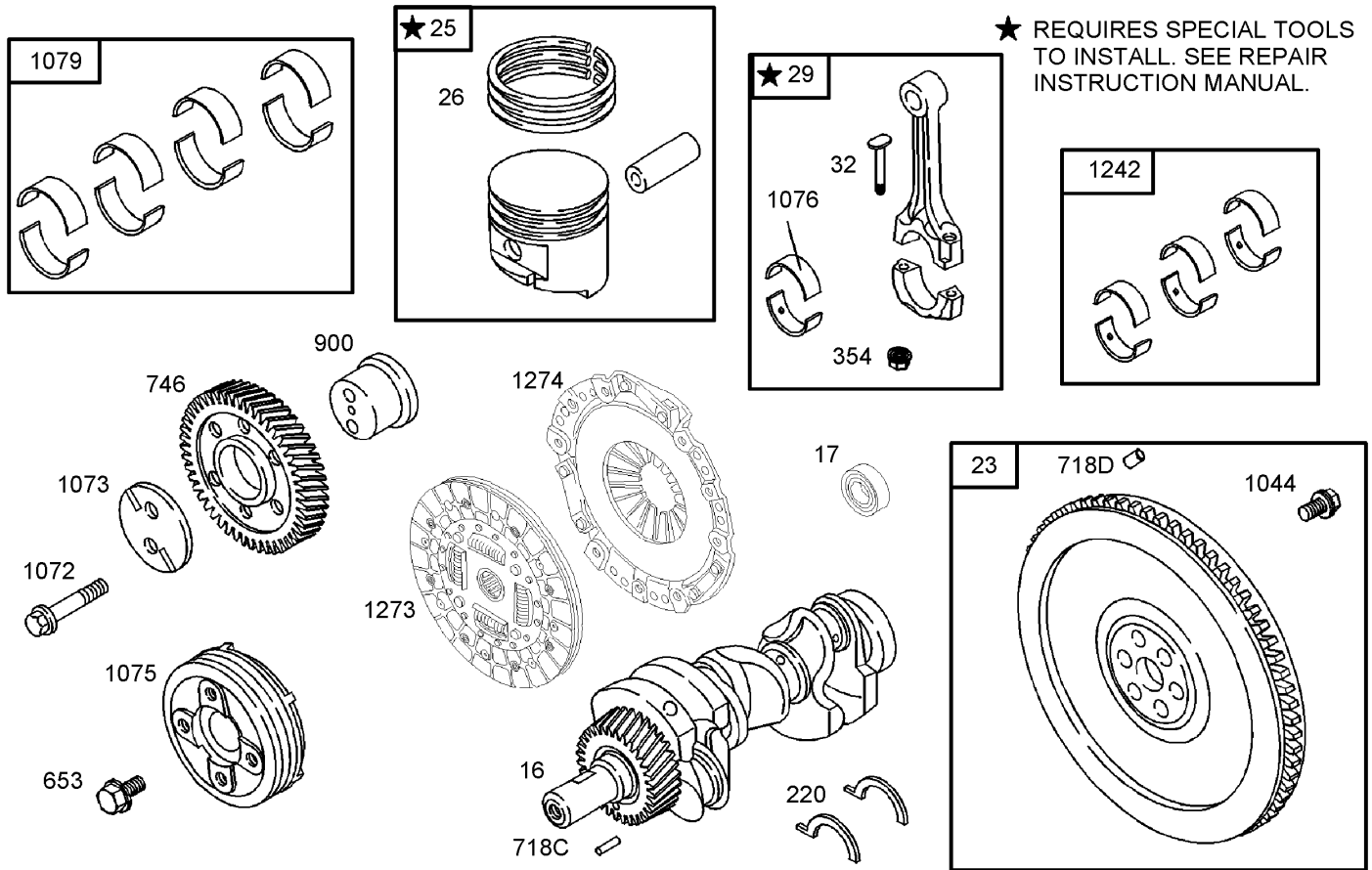
Ref	Part No.	Qty.	Description
26	92-0770	1	Pin-Roll, Spring
27	92-0724	1	Arm-Lock, Differential
28	92-0725	1	Shaft-Axle, Left
29	92-0776	1	Bearing
30	92-0803	12	Bolt
31	92-0720	1	Case-Differential
32	92-0793	2	Seal-Oil



Assemblies include all parts shown in frames.

Cylinder Assembly

Ref	Part No.	Qty.	Description
1	112-2982	1	Cylinder ASM
20	99-9003	1	Seal-Oil
127	99-9008	1	Plug-Welch
228	99-9006	1	Screw-Hex
318	99-9005	1	Screw-Hex
415	99-9010	1	Plug-Welch
493	104-9232	1	Plate-End, Rear
508	99-9004	1	Screw-Hex
713	99-9002	1	Bushing
718	99-9012	1	Pin-Locating
724	99-9022	1	Retainer-Seal
818	99-9007	1	Stud-Metric
1019	110-2595	1	Label Kit
1027	108-3842	1	Filter-Oil
1028	105-9337	1	Adapter-Filter, Oil
1058	99-9019	1	Manual-Owners, Engine
1069	99-9020	1	Nozzle-Oil
1080	99-9021	1	Gasket-Retainer
127A	107-9892	1	Plug-Welch (Cam)
718A	99-9013	1	Pin-Locating
718B	99-9014	1	Pin-Locating

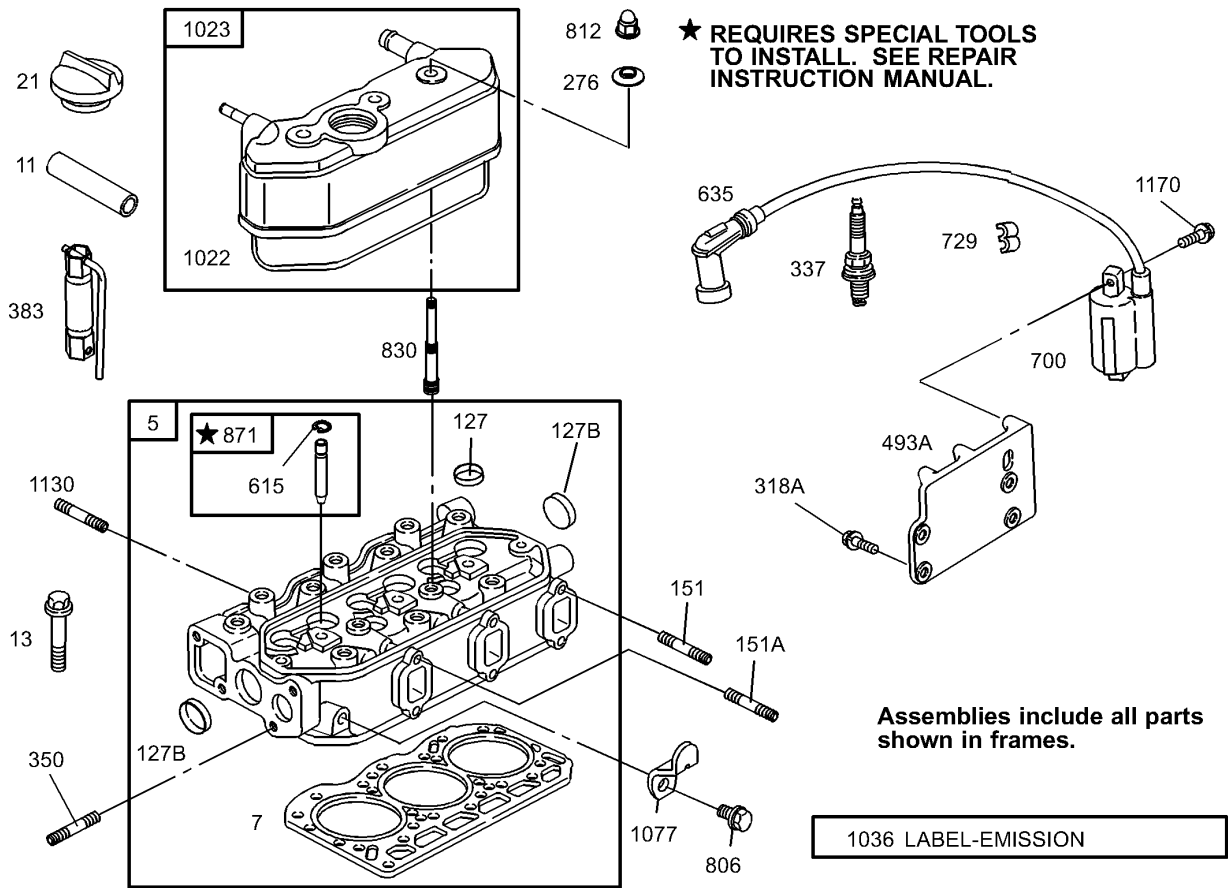


Assemblies include all parts shown in frames.

Crankshaft Assembly

Ref	Part No.	Qty.	Description
16	105-9339	1	Crankshaft
17	105-9324	1	Bearing-Ball, Radial
23	105-9323	1	Flywheel ASM
25	99-9025	1	Piston ASM (Standard)
25	99-9026	1	Piston ASM (.010 Over)
26	99-9027	1	Ring Set (Standard)
26	99-9028	1	Ring Set (.010 Over)
29	99-9029	1	Rod-Connecting
32	99-9030	1	Screw-Rod, Connecting
220	99-9035	1	Washer-Thrust
220	99-9036	1	Washer-Thrust (.005 In Oversized)
354	99-9034	1	Nut-Hex
653	107-9897	1	Screw-Hex
746	99-9609	1	Gear-Drive
900	99-9039	1	Shaft-Gear
1044	99-9031	1	Screw-Hex
1072	99-9032	1	Screw-Hex
1073	99-9040	1	Plate-Gear, Idler
1075	99-9041	1	Pulley-Crankshaft
1076	99-9042	1	Bearing-Rod
1079	99-9045	1	Set-Bearing, Main (Set Of 8)
1079	99-9046	1	Set-Bearing, Main (.010 Undersized)

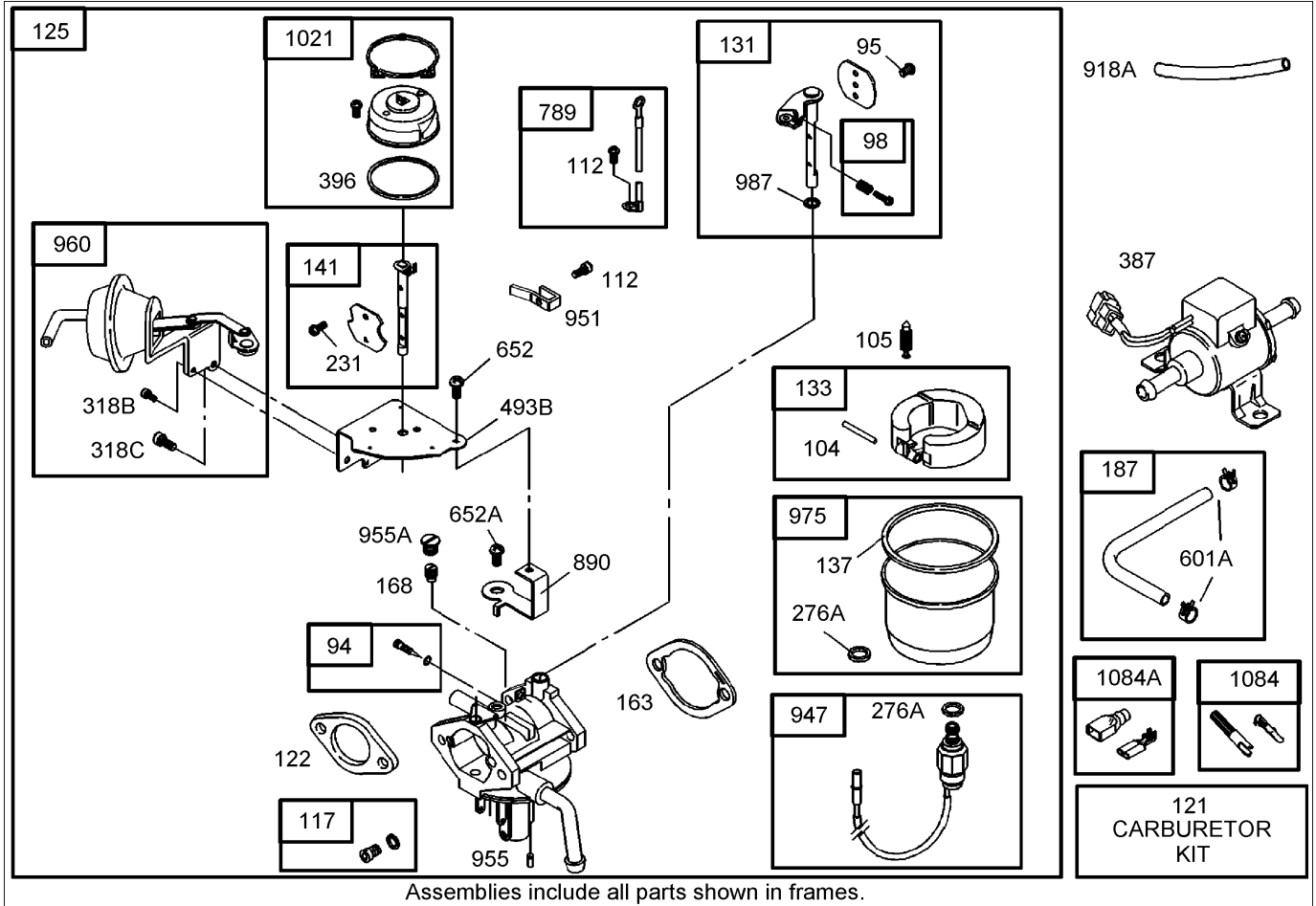
Ref	Part No.	Qty.	Description
1242	99-9043	1	Set-Bearing, Rod
1242	99-9044	1	Set-Bearing, Rod (.010 Undersized)
1273	104-9219	1	Disc-Clutch
1274	104-9231	1	Plate-Pressure, Clutch
718C	99-9037	1	Pin-Locating
718D	106-1852	1	Pin-Locating



Cylinder Head Assembly

Ref	Part No.	Qty.	Description
5	106-1853	1	Head-Cylinder
7	99-9254	1	Gasket-Head, Cylinder
11	105-9322	1	Hose-Breather
13	99-9614	1	Screw-Metric
21	99-9052	1	Cap-Fill, Oil
127	99-9060	1	Plug-Welch
151	99-9058	1	Stud-Metric
276	99-9063	1	Washer-Seal
337	108-6945	1	Plug-Spark
350	99-9057	1	Stud-Metric
383	94-1664	1	Wrench-Spark Plug
615	99-9067	1	Retainer
635	99-9068	1	Boot-Plug, Spark
700	99-9069	1	Coil-Ignition
729	99-9066	1	Clip-Wire
806	99-9270	1	Screw-Hex
812	99-9061	1	Nut-Hex, Metric
830	99-9101	1	Stud-Arm, Rocker
871	99-9070	1	Bushing-Guide
1022	99-9073	1	Gasket-Cover, Rocker
1023	99-9074	1	Cover-Rocker
1036	99-9075	1	Emission Label Kit
1077	99-9076	1	Bracket-Lifting
1130	99-9055	1	Stud-Metric

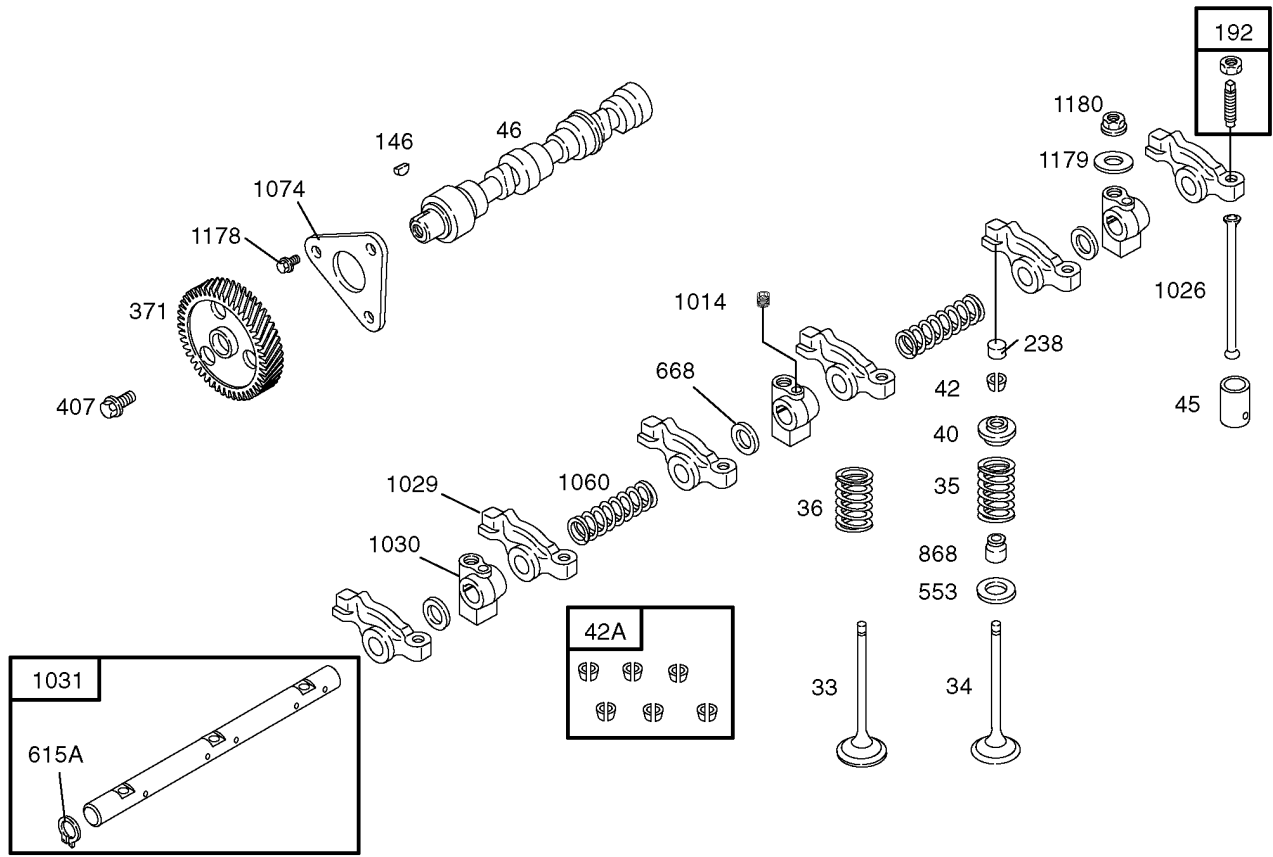
Ref	Part No.	Qty.	Description
1170	99-9056	1	Screw-Hex
127B	99-9008	1	Plug-Welch
151A	99-9059	1	Stud-Metric
318A	99-9202	1	Screw-Hex
493A	99-9065	1	Bracket-Mounting



Carburetor Assembly

Ref	Part No.	Qty.	Description
94	106-1856	1	Idle Mixture Kit
95	106-1857	1	Screw
98	106-1858	1	Idle Speed Kit
104	106-1859	1	Pin-Hinge, Float
105	106-1860	1	Valve-Needle, Float
112	105-2063	2	Screw-Mtg., Valve
117	106-1861	1	Jet-Main
121	106-1862	1	Carburetor Kit
122	99-9184	1	Spacer-Carburetor
125	105-9327	1	Carburetor ASM
131	106-1863	1	Throttle Shaft Kit
133	106-1864	1	Float-Carburetor
137	106-1865	1	Gasket-Bowl, Float
141	106-1866	1	Choke Shaft Kit
163	105-9329	1	Gasket-Funnel, Air
168	106-1953	1	Jet-Circuit, Idle
187	99-9238	1	Line-Fuel
231	106-1857	1	Screw
387	99-9196	1	Pump-Fuel
396	106-1871	1	Gasket-Cover, Choke
652	106-1869	1	Screw
789	106-1875	1	Harness-Wiring
890	106-1876	1	Bracket-Support
947	110-2511	1	Solenoid-Valve

Ref	Part No.	Qty.	Description
951	106-1878	1	Lever-Choke
955	106-1879	1	Plug-Carburetor
960	106-1881	1	Break-Choke, Vacuum
975	106-1882	1	Bowl-Float
9987		1	Seal-Shaft, Throttle
1021	106-1883	1	Activator-Choke
1084	99-9245	1	Connector
276A	106-1868	1	Washer-Sealing
318B	106-1869	1	Screw
318C	106-1870	1	Screw
493B	106-1872	1	Bracket-Mounting
601A	99-9242	1	Clamp-Hose
652A	106-1874	1	Screw
918A	105-9330	1	Hose-Vacuum
955A	106-1880	1	Plug-Carburetor
1084A	99-9098	1	Connector

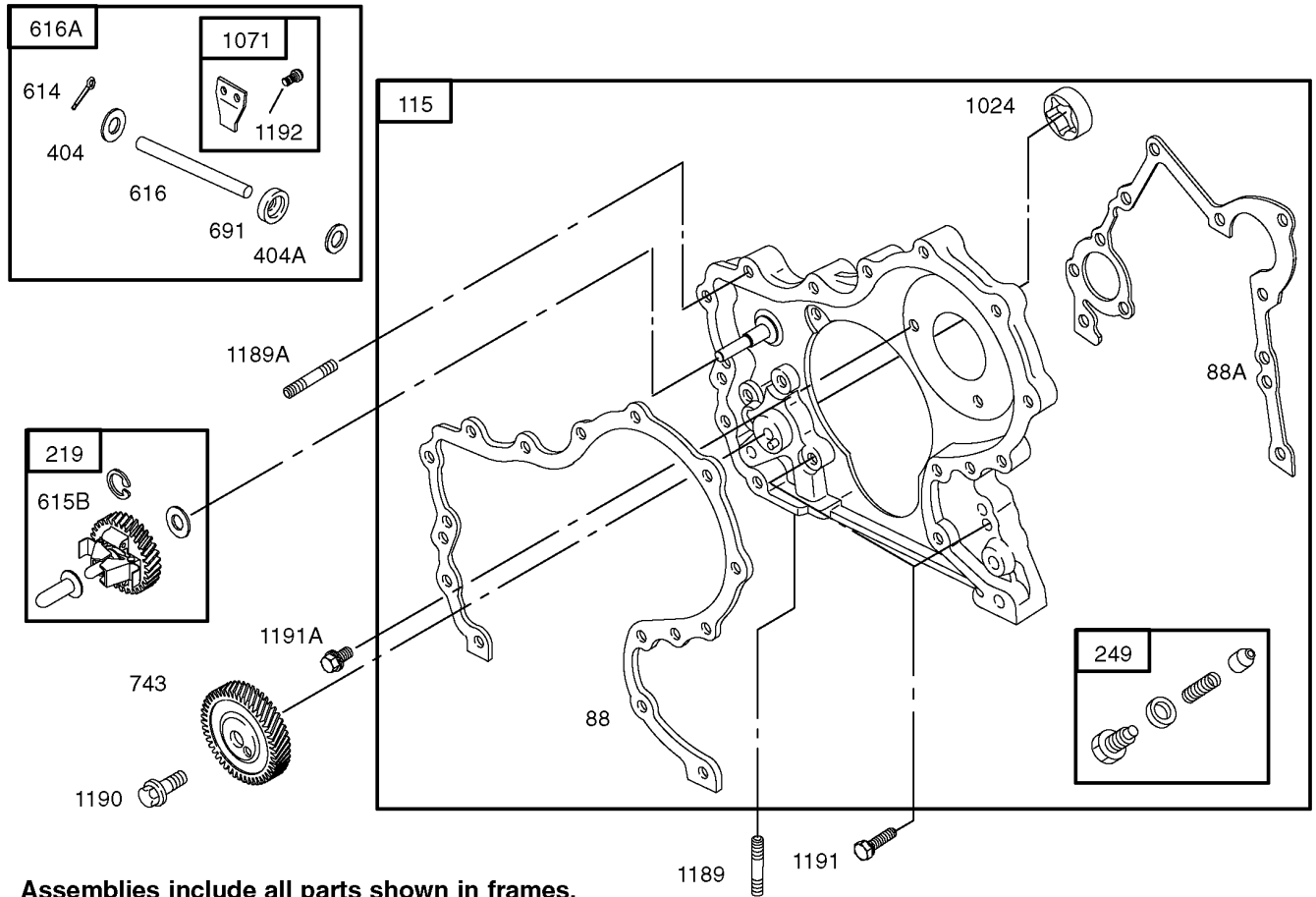


Assemblies include all parts shown in frames.

Cam Shaft Assembly

Ref	Part No.	Qty.	Description
33	99-9080	1	Valve-Exhaust
34	99-9081	1	Valve-Intake
35	99-9082	1	Spring-Valve
36	99-9082	1	Spring-Valve
40	99-9084	1	Retainer-Valve
42	99-9086	1	Keeper-Valve
45	99-9088	1	Tappet-Valve
46	99-9097	1	Shaft-Cam
146	99-9095	1	Key-Woodruff
192	99-9092	1	Adjuster-Arm, Rocker (Use Before Engine Serial #04090100)
192	112-2978	1	Adjuster-Arm, Rocker (Use Before Engine Serial #04083100)
238	99-9094	1	Cap-Valve (Use Before Engine Serial #04090100)
238	112-2979	1	Cap-Valve (Use Before Engine Serial #04083100)
371	99-9641	1	Gear-Cam
407	99-9085	1	Screw-Metric
42A	99-9087	1	Keeper-Valve (Set Of 6)
553	99-9096	1	Seat-Spring, Valve
668	99-9093	1	Washer-Spacer
868	99-9102	1	Seal-Valve
1014	99-9090	1	Screw-Metric

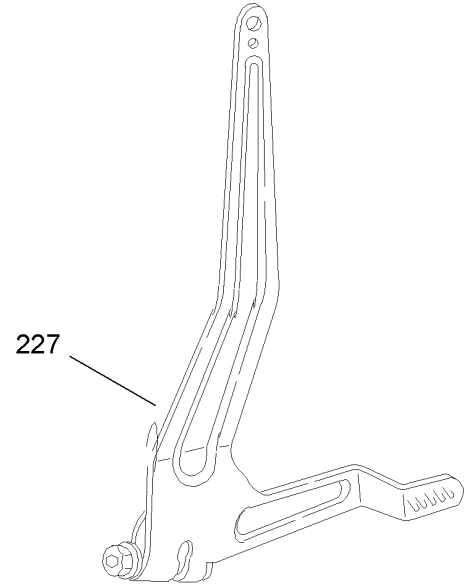
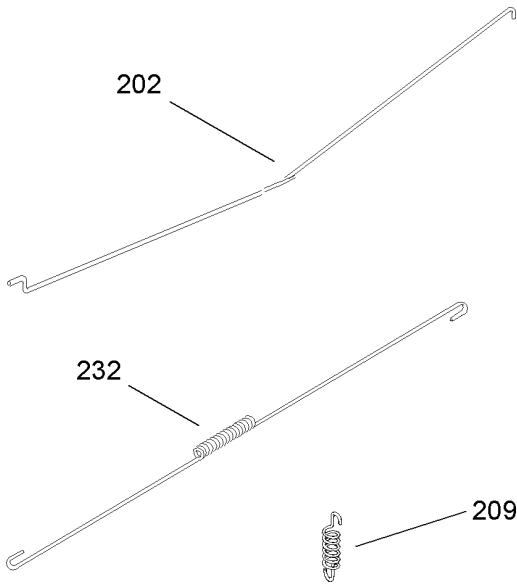
Ref	Part No.	Qty.	Description
1026	99-9103	1	Rod-Push (Use Before Engine Serial #04090100)
1026	112-2980	1	Rod-Push (Use Before Engine Serial #04083100)
1029	99-9104	1	Arm-Rocker
1030	99-9107	1	Support-Arm, Rocker
1031	99-9106	1	Shaft-Arm, Rocker
1060	99-9108	1	Spring-Shaft, Rocker
1074	99-9109	1	Retainer-Camshaft
1178	99-9083	1	Screw-Hex
1179	99-9079	1	Washer-Flat
1180	99-9091	1	Nut-Hex, Metric
615A	99-9099	1	Retainer



Assemblies include all parts shown in frames.

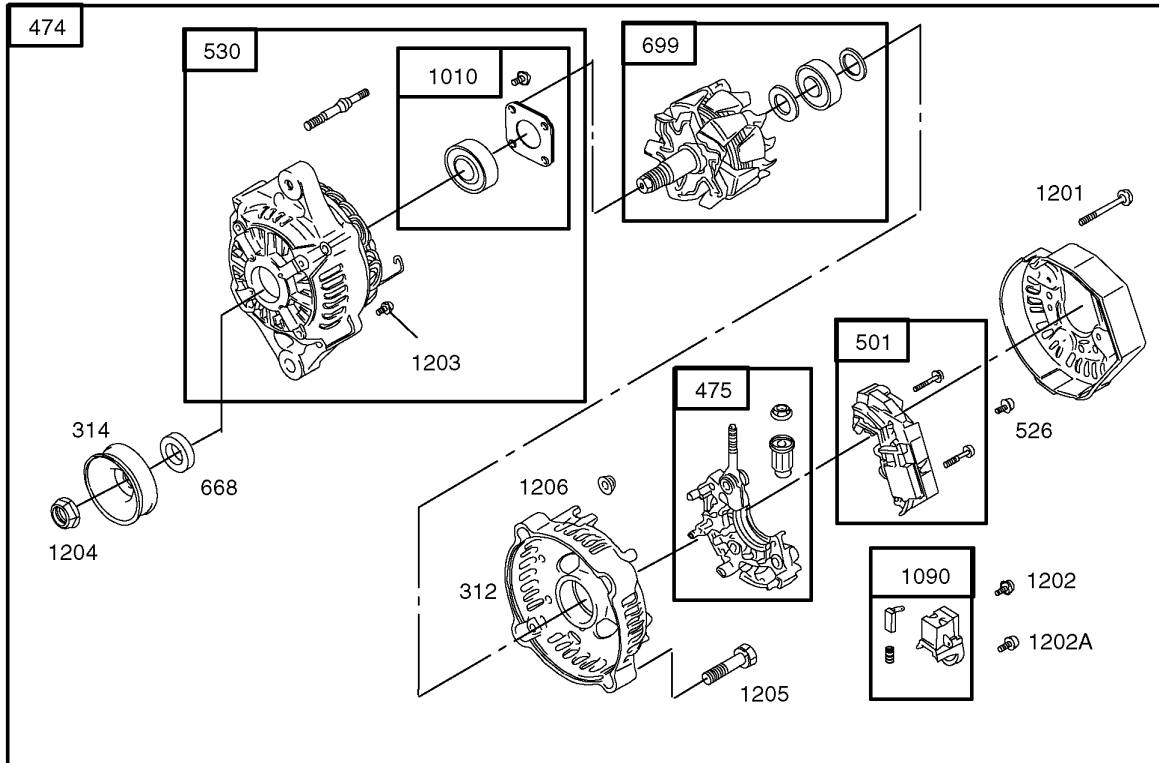
Gear Housing Assembly

Ref	Part No.	Qty.	Description
1024		1	Pump-Oil
1071	99-9149	1	Paddle-Governor
115	99-9138	1	Housing-Gear
1189	99-9007	1	Stud-Metric
1189A	99-9137	1	Stud-Metric
1190	99-9135	1	Screw-Hex
1191	99-9133	1	Screw-Hex
1191A	99-9134	1	Screw-Hex
1192	99-9143	1	Screw-Hex, Torx
219	99-9261	1	Gear-Governor
249	99-9142	1	Valve-Relief, Oil
404	99-9140	1	Washer-Spacer
404A	99-9141	1	Washer-Spacer
614	99-9053	1	Pin-Cotter
615B	99-9145	1	Retainer
616	99-9146	1	Crank-Governor
616A	99-9147	1	Crank-Governor
691	99-9131	1	Seal-Shaft, Governor
743	99-9656	1	Gear-Drive
88	99-9132	1	Gasket-Cover
88A	99-9136	1	Gasket-Cover, Gear



Governor Assembly

Ref	Part No.	Qty.	Description
202	99-9187	1	Link-Governor, Mech.
209	106-1889	1	Spring-Governor
227	99-9191	1	Lever-Governor
232	99-9192	1	Spring-Link



Assemblies include all parts shown in frames.

Alternator Assembly

Ref	Part No.	Qty.	Description
1010	106-1898	1	Retainer-Bearing
1090	106-1899	1	Retainer-Brush
1119	99-9663	1	Screw-Hex, Metric
1119A	99-9205	1	Screw-Hex, Metric
1150	99-9202	1	Screw-Hex
1182	99-9114	1	Nut-Hex, Metric
1201	106-1950	1	Screw
1202	106-1951	1	Screw
1202A	106-1894	1	Screw
1203	106-1894	1	Screw
1204	106-1954	1	Nut
1205	106-1955	1	Screw
1206	106-1956	1	Nut
312	106-1890	1	Housing-End, Brush
314	106-1891	1	Pulley-Alternator
474	99-9209	1	Alternator
475	106-1892	1	Rectifier
501	106-1893	1	Regulator
526	106-1894	1	Screw
530	106-1895	1	Housing-End, Drive
606	106-1952	1	Strap-Adjusting
652	99-9202	1	Screw-Hex
668	106-1896	1	Spacer
699	106-1897	1	Rotor

Ref	Part No.	Qty.	Description
890A	99-9211	1	Bracket-Support

