



Twister[®] Utility Vehicle

Model No. 12003 - 210000001 and up.

Parts Catalog

Ordering Replacement Parts

To order replacement parts, please supply the part number, the quantity, and the description of each part desired.

Understanding Reference Numbers

Each identified part in an illustration has a reference number. The reference number for a part also appears in the parts list, along with other information about the part.

This catalog uses two special reference number formats, one to indicate parts in a service assembly and another to indicate the quantity of a given part in an illustration.

Service Assembly Reference Numbers

Parts in service assemblies have reference numbers in the form a:b. The a represents the reference number of the entire service assembly and the b represents a sequential number unique to each part within the service assembly.

For example, a wheel assembly might be identified by reference number 6, the tire by 6:1, the valve by 6:2, and the wheel by 6:3. When you order the assembly identified by reference number 6, you receive all parts identified by reference numbers 6:1, 6:2, and 6:3. However, you may also order any part individually. Reference numbers of this type appear in illustrations and in part lists.

Reference Numbers Indicating Quantity

In an illustration, if a reference number indicates more than one part, the reference number has the form nX y. The n represents the quantity of the part, the X is the multiplication symbol, and the y represents the reference number.

For example, in an illustration, the reference number 2X 37 means that two of the parts identified by reference number 37 are indicated.

Contents

Description	Page	Description	Page
Dash Assembly	3	Crankcase Assembly Briggs And Stratton 303447-1314-E1	24
Pedal Assembly	4	Cylinder Head And Cover Assembly Briggs And Stratton 303447-1314-E1	25
Shifter Assembly	5	Crankshaft, Piston And Oil Pump Assembly Briggs And Stratton 303447-1314-E1	26
Frame Assembly	6	Carburetor And Fuel Pump Assembly Briggs And Stratton 303447-1314-E1	27
Seatbase Assembly	7	Manifold Intake And Governor Control Assembly Briggs And Stratton 303447-1314-E1	28
Front Tire And Steering Assembly	8	Alternator Assembly Briggs And Stratton 303447-1314-E1	29
Rear Tire And Transaxle Assembly	9	Blower Housing And Cover Assembly Briggs And Stratton 303447-1314-E1	30
Clutch Assembly No. 99-7104	10	Starter Motor Assembly Briggs And Stratton 303447-1314-E1	31
Transaxle Assembly No. 99-7941	11	Replacement Starter Motor Assembly Briggs And Stratton 303447-1314-E1	32
Right Hand Brake Assembly No. 99-7136	13	Engine Gasket Set Briggs And Stratton 303447-1314-E1	33
Left Hand Brake Assembly No. 99-7137	14	Valve Gasket Set And Carburetor Overhaul Kit Briggs And Stratton 303447-1314-E1	34
Drivetrain Mount Assembly	15		
Air Cleaner Assembly No. 99-7120	16		
Upper Steering Assembly	17		
Steering Gearbox Assembly	18		
Box And Tailgate Assembly	19		
Tailgate Assembly	20		
Engine And Clutch Assembly	21		
Hood And Fender Assembly	22		
Cylinder, Oil Filter And Dipstick Assembly Briggs And Stratton 303447-1314-E1	23		

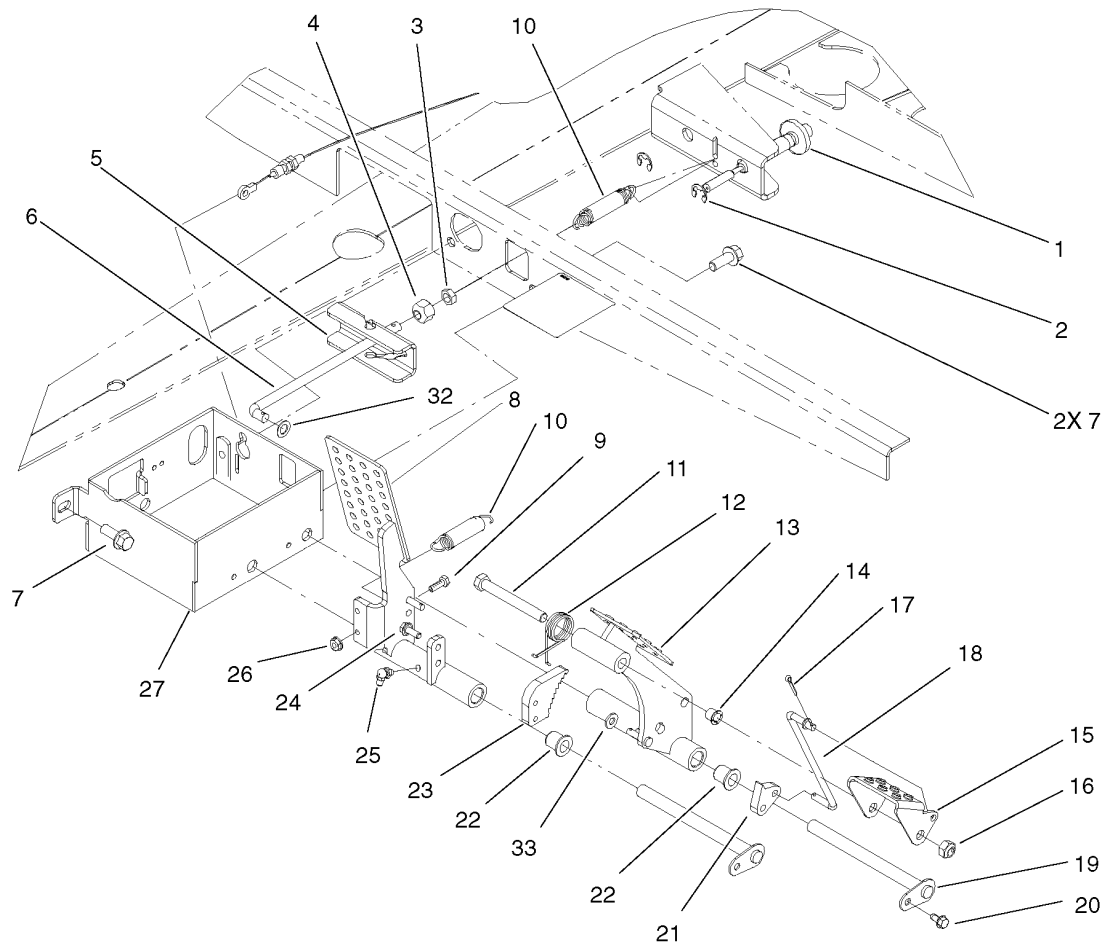
Part Description Abbreviations

Part descriptions in this catalog may include the following abbreviations.

AR. as required	HYD. hydraulic
ASM. assembly	LH. left hand
BBC. blade brake clutch	NI. nylon insert
CARR. carriage	NPTF. national pipe thread fine
DEG. degrees	PFH. phillips flat head
EXT. external	PPH. phillips pan head
FH. flat head	PPHTF. phillips pan head thread forming
GA. gauge	PRH. phillips round head
HD. heavy-duty	PTH. phillips truss head
HF. hex flange	PTO. power-take-off
HH. hex head	RH. right hand
HHF. hex head flange	ROPS. roll-over protection system
HHFTF. hex head flange thread forming	SFH. slotted fillister head
HJ. hex jam	SHH. slotted hex head
HLH. hex lag head	SHWH. slotted hex washer head
HOC. height-of-cut	SPH. slotted pan head
HSBH. hex socket button head	SQH. square head
HSFH. hex socket flat head	SRH. slotted round head
HSH. hex socket head	STD. standard
HWH. hex washer head	TAP. self tapping
HWHTF. hex washer head thread forming	TTH. torx truss head

Footnotes

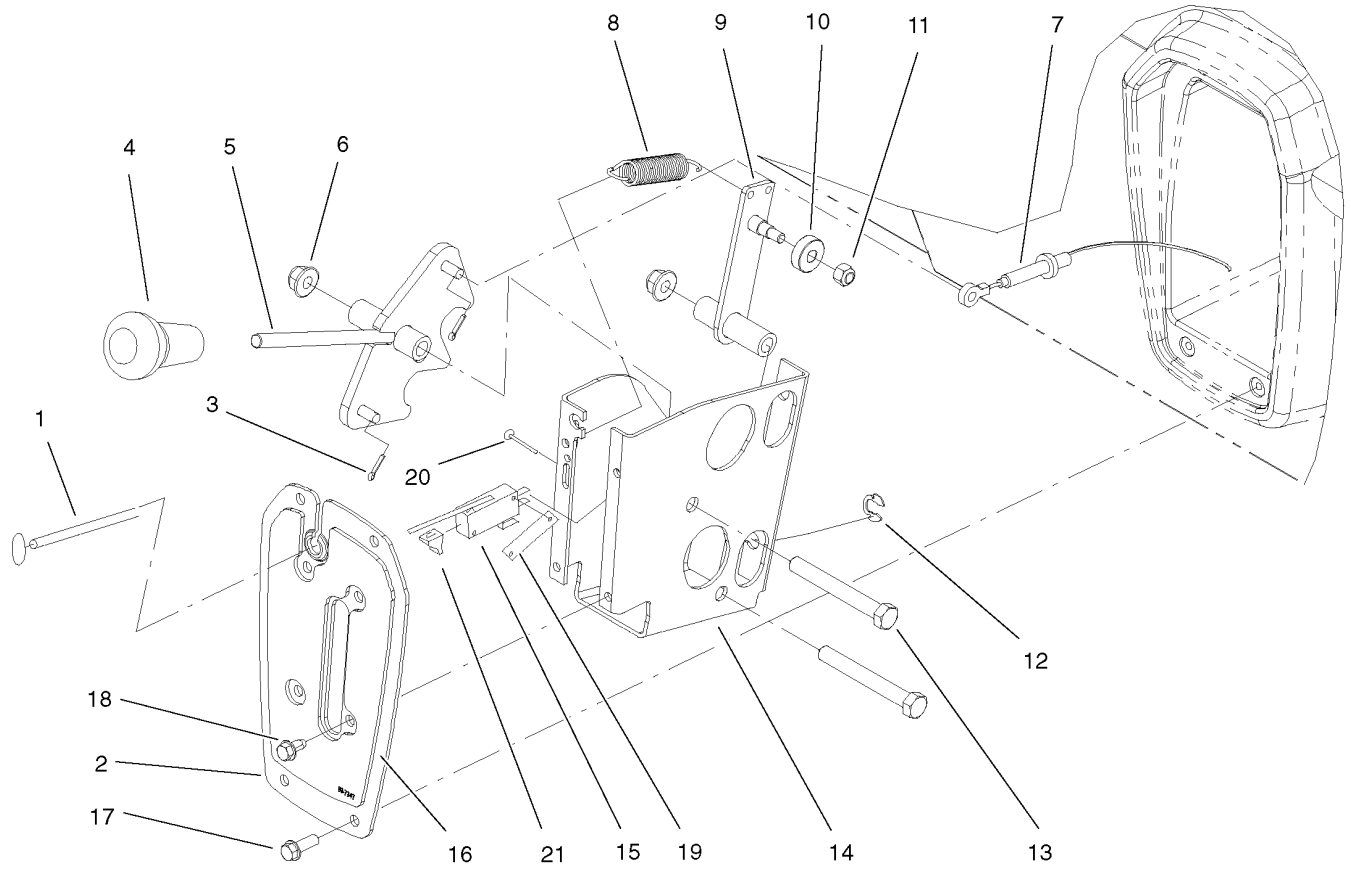
- | | |
|---|---|
| ❶ Not illustrated | ❷ Not serviced |
| ❸ Included in Engine Gasket Set-Ref. 358. | ❹ Included in Valve Gasket Set-Ref. 1095. |
| ❺ Included in Carburetor Overhaul Kit-Ref. 121. | |



Pedal Assembly

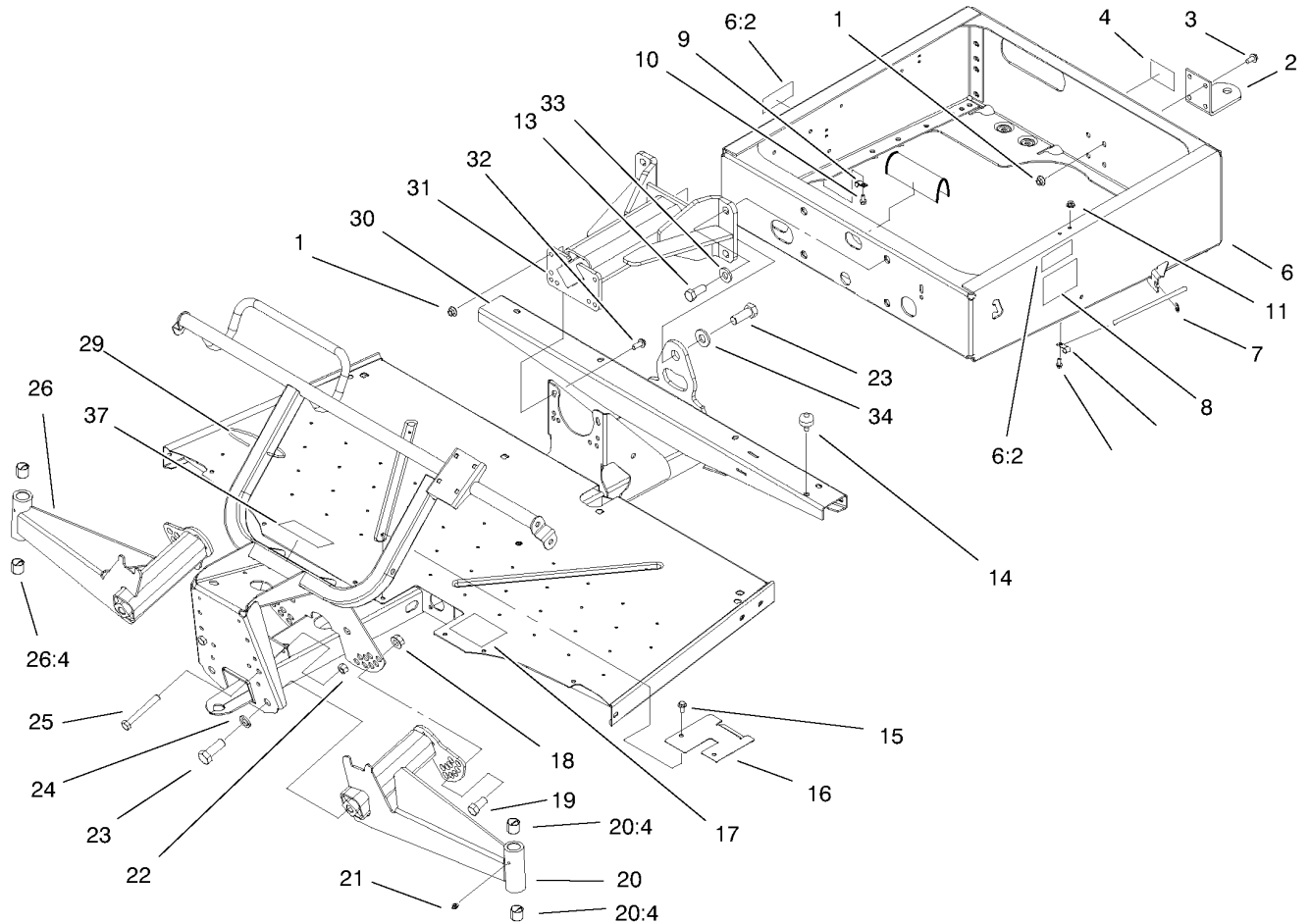
Ref	Part No.	Qty.	Description
1	99-7109	2	Cable-Brake
2	32120-47	2	Ring-Retaining, External
3	3219-3	1	Nut-Hex
4	99-7123	1	Nut-Equalizer
5	99-7093	1	Bracket-Brake, Adjustment
6	99-7060	1	Rod-Brake
7	3234-11	3	Screw-HHF
8	99-7212-03	1	Throttle ASM
9	321-8	1	Screw-HH
10	99-7141	2	Spring-Return, Pedal
11	323-54	1	Screw-HH
12	99-7140	1	Spring-Torsion
13	99-7211-03	1	Brake ASM
14	52-2891	2	Bushing-Link, Steering
15	99-7227-03	1	Pedal-Park
16	104-8301	2	Nut-Flange, NI
17	3272-6	5	Pin-Cotter
18	99-7221	1	Rod-Park
19	99-7169	2	Pivot-Pedals
20	12-3270	2	Screw
21	99-7218	1	Detent
22	256-155	4	Bushing-Flange
23	99-7214	1	Pawl-Brake
24	3234-33	2	Screw-HHF

Ref	Part No.	Qty.	Description
25	302-60	2	Fitting-Grease, 90 DEG
26	32149-2	1	Nut-Keps
27	99-7210-03	1	Base ASM
32	3256-46	1	Washer-Flat
33	3256-22	1	Washer-Flat



Shifter Assembly

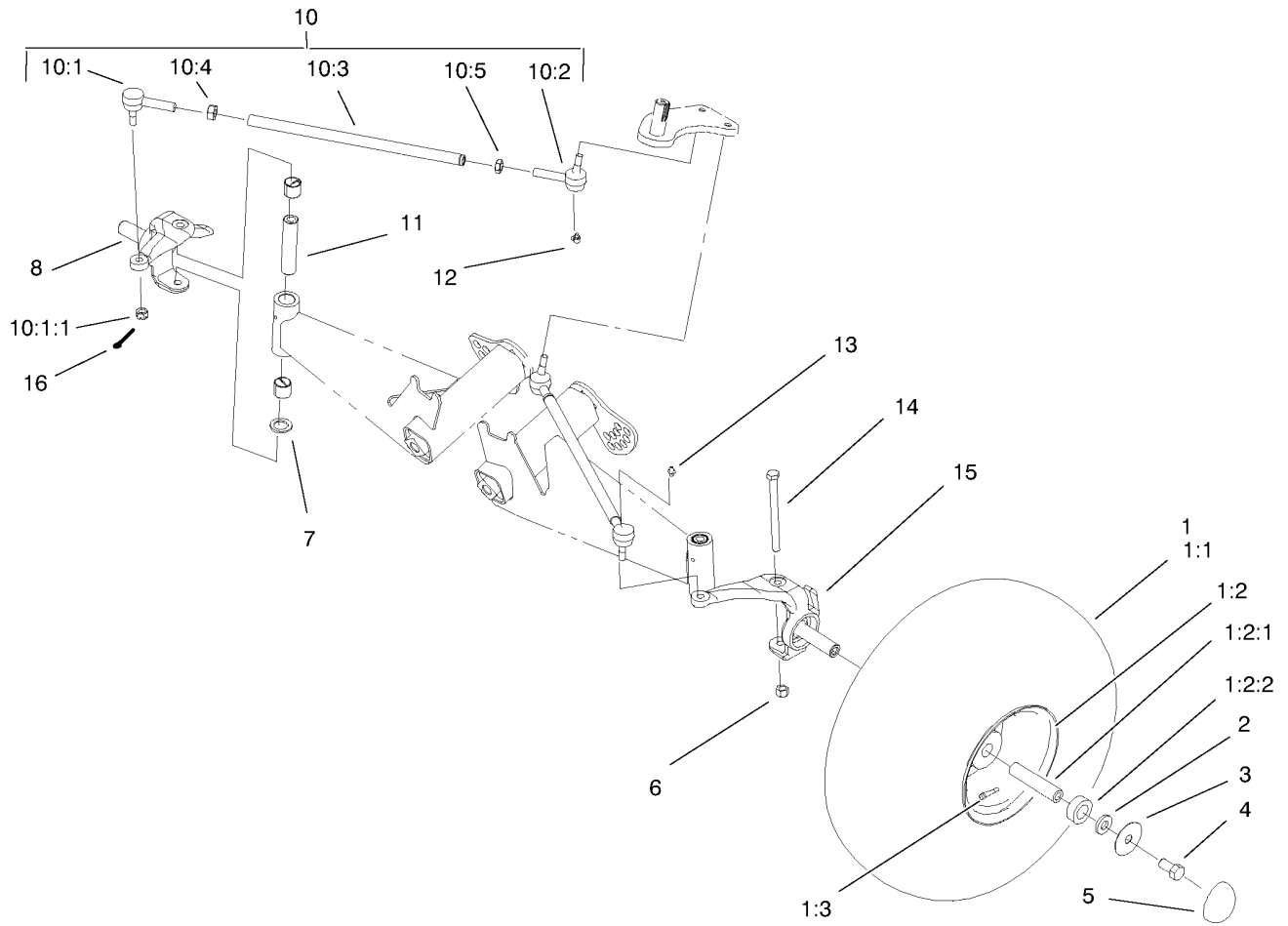
Ref	Part No.	Qty.	Description
1	99-7111	1	Cable-Choke
2	99-7887-03	1	Plate-Shifter
3	3272-5	2	Pin-Cotter
4	99-7981	1	Knob-Grip, Soft
5	99-7879	1	Lever-Shifter
6	104-8301	2	Nut-Flange, NI
7	99-7112	2	Cable-Shift
8	99-7141	1	Spring-Return, Pedal
9	99-7176	1	Detent
10	251-307	1	Bearing-Ball
11	3296-42	1	Nut-Lock, NI
12	32151-101	2	E-Ring
13	323-14	2	Screw-HH
14	104-6509-03	1	Bracket-Shift
15	88-9932	1	Switch-Micro
16	99-7952	1	Decal-Shifter
17	32105-15	4	Screw
18	12-3270	4	Screw
19	3290-354	1	Nut-Speed
20	3290-313	2	Screw-Ph
21	93-3240	1	Plunger-Seal



Frame Assembly

Ref	Part No.	Qty.	Description
1	104-8301	8	Nut-Flange, NI
2	99-7654-03	1	Hitch-Duty, Light
3	3234-24	4	Screw-HHF
4	99-7350	1	Decal-Information
6	99-7362	1	Rear Frame ASM
6:2	99-7345	2	Decal-Warning
7	32120-47	2	Ring-Retaining, External
8	99-7349	1	Decal-Information, Boxlatch
9	2412-89	5	Clamp
10	321-6	4	Screw-HH
11	32128-33	4	Nut-HF
13	327-4	4	Screw-HH
14	87-2440	1	Bumper-Rubber
15	3234-5	2	Screw-HHF
16	99-7275-03	1	Cover-Pedal
17	99-7346	1	Decal-Information, Brake
18	32128-54	2	Nut-HF
19	3214-2	2	Screw-HH
20	99-7685	1	LH A-Arm ASM
20:4	3-0348	2	Bushing
21	302-5	2	Fitting-Grease
22	3296-23	2	Nut-Lock, NI
23	328-24	5	Screw-HH
24	3254-7	4	Washer-Lock, Int

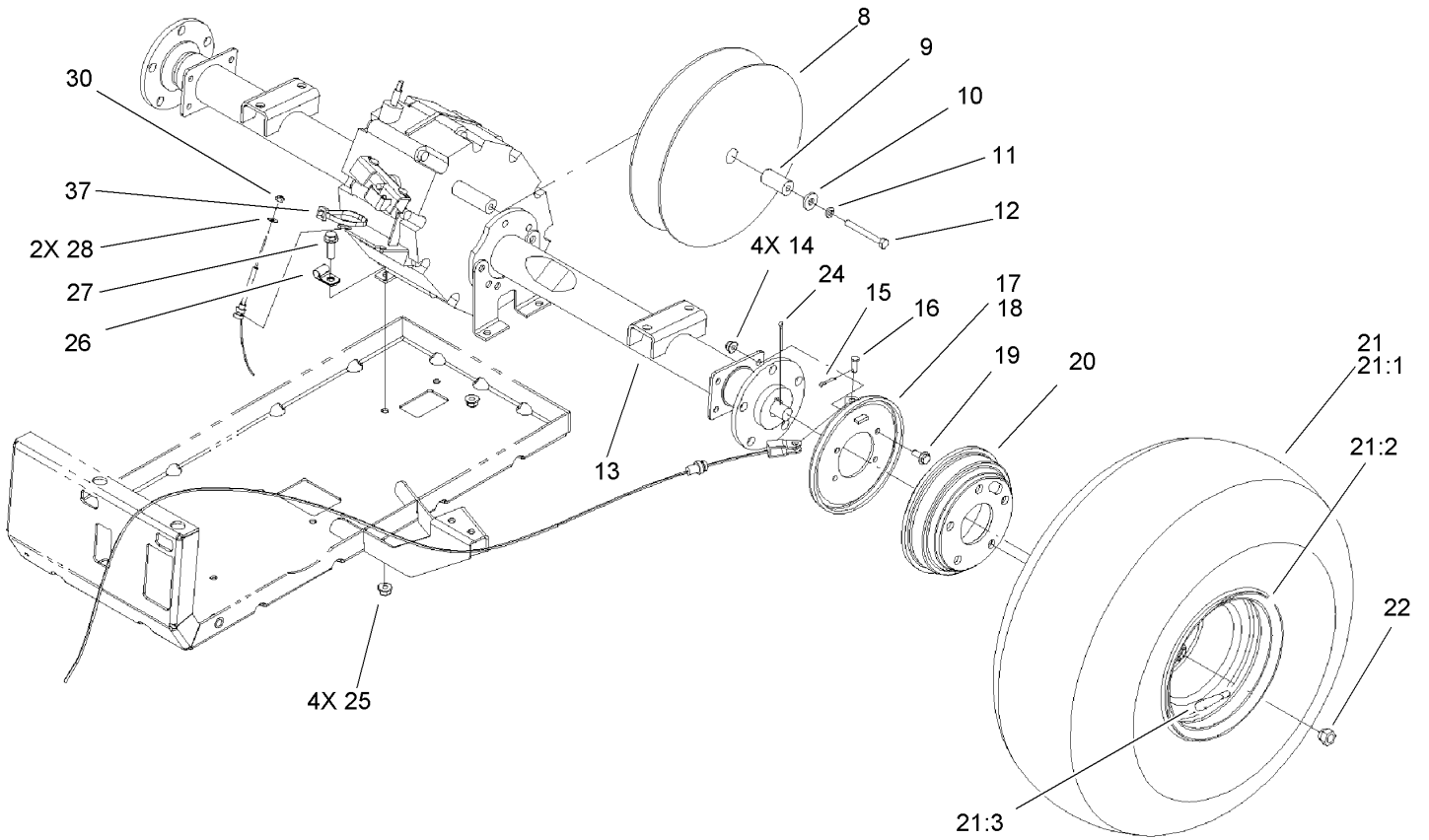
Ref	Part No.	Qty.	Description
25	325-17	2	Screw-HH
26	99-7684	1	RH A-Arm ASM
26:4	3-0348	2	Bushing
29	3290-379	10	Tie-Cable
30	99-7463-03	1	Frame-Front
31	99-7700	1	Pivot Yoke ASM
32	3234-11	4	Screw-HHF
33	99-7667	4	Washer-Flat
34	87-3060	1	Washer-Hardened
36	3290-378	7	Tie-Cable
37	104-6856	1	Decal-Capacity
38	95-5686	1	Trim



Front Tire And Steering Assembly

Ref	Part No.	Qty.	Description
② 1		2	Wheel And Tire ASM
1:1	99-7869	1	Tire
1:2	104-6429	1	Wheel-W/Bearings
1:2:1	104-1699	1	Spacer
1:2:2	104-1698	2	Bearing-Ball
1:3	232-27	1	Stem-Valve
2	99-7667	2	Washer-Flat
3	99-7719	2	Washer
4	327-2	2	Screw-HH
5	94-7871	2	Cap-Dust
6	3296-23	2	Nut-Lock, NI
7	256-115	2	Washer-Thrust
8	99-7487-03	1	Spindle-RH
② 10		2	Rod-Tie
10:1	112772-03	1	Joint-Ball, RH
10:2	112771-03	1	Joint-Ball, LH
10:3	99-7600-03	1	Rod-Tie
10:4	3220-11	1	Nut-Jam
10:5	3218-21	1	Nut-Jam
11	99-7499	2	Sleeve-Kingpin
12	302-60	2	Fitting-Grease, 90 DEG
13	302-5	2	Fitting-Grease
14	325-20	2	Screw-HH
15	99-7486-03	1	Spindle-LH

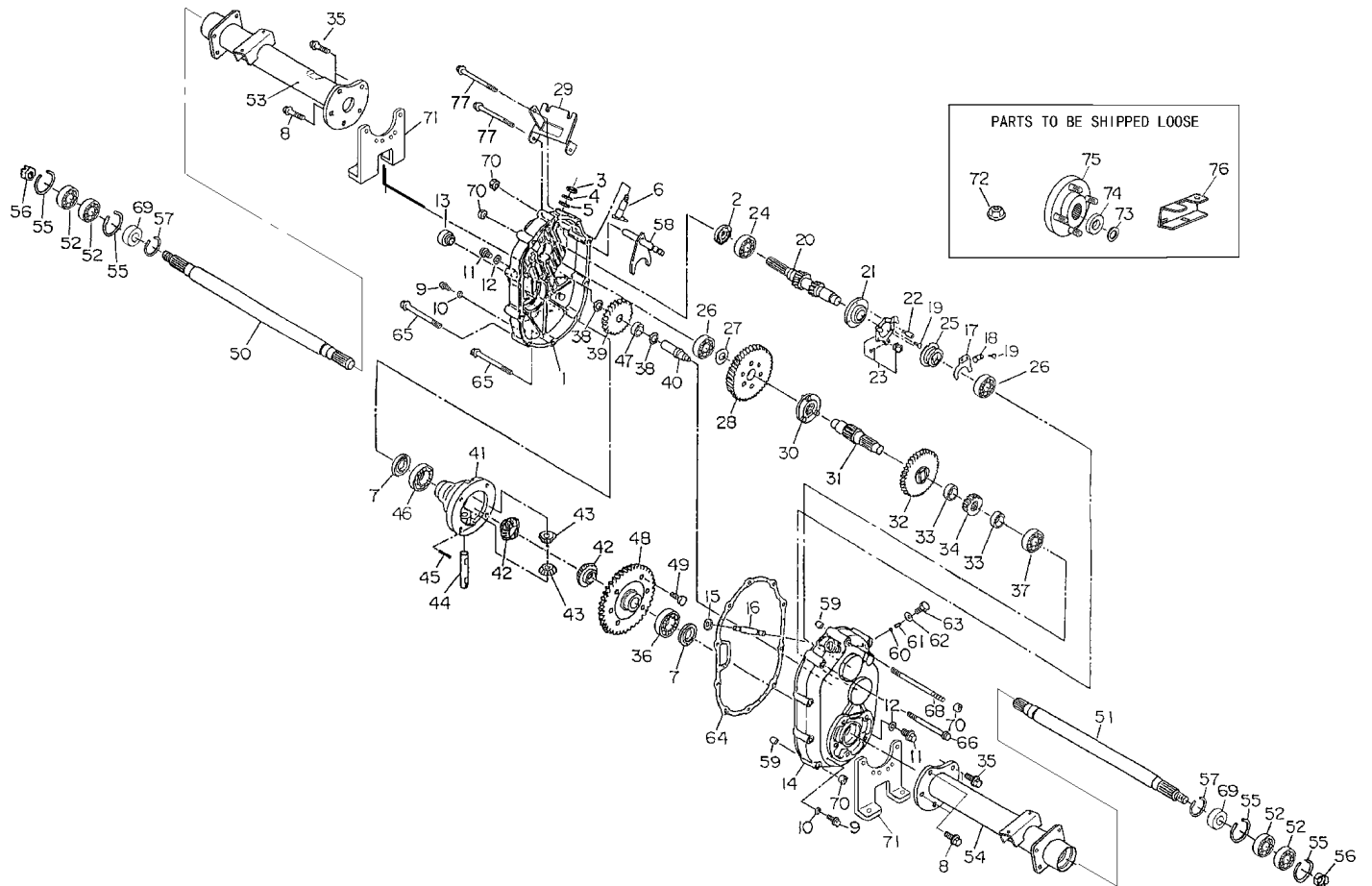
Ref	Part No.	Qty.	Description
16	3272-7	4	Pin-Cotter



Rear Tire And Transaxle Assembly

Ref	Part No.	Qty.	Description
8	99-7104	1	Clutch-Driven
9	99-7174	1	Spacer-Clutch
10	5-0838	1	Washer
11	3253-4	3	Washer-Lock
12	322-33	1	Screw-HH
13	99-7941	1	Transaxle
14	104-8300	8	Nut-Flange, NI
15	3272-10	2	Pin-Cotter
16	283-62	2	Pin-Clevis
17	99-7136	1	Brake-RH
18	99-7137	1	Brake-LH
19	3234-5	10	Screw-HHF
20	104-6500	2	Drum-Brake
21		2	Wheel And Tire ASM
21:1	99-7869	1	Tire
21:2	104-6430	1	Wheel-5 Bolt
21:3	232-27	1	Stem-Valve
22	242-50	10	Nut-Lug
24	3272-12	2	Pin-Cotter
25	104-8301	4	Nut-Flange, NI
26	2412-10	1	R-Clamp
27	3234-24	4	Screw-HHF
28	3256-49	2	Washer-Flat (Only On: 38053)
30	3296-2	2	Nut-Lock

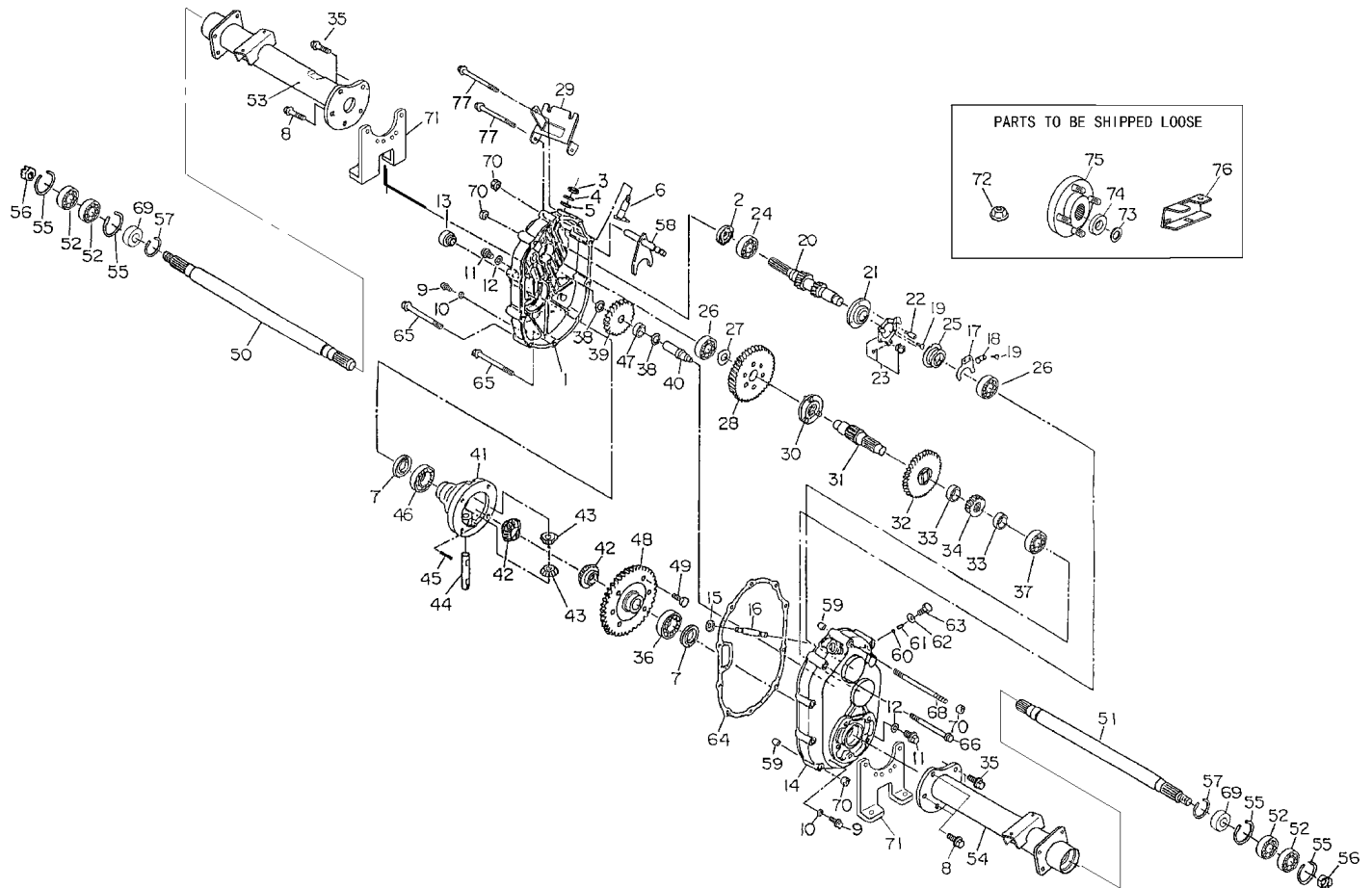
Ref	Part No.	Qty.	Description
37	3290-378	1	Tie-Cable



Transaxle Assembly No. 99-7941

Ref	Part No.	Qty.	Description
1	104-1601	1	Case-LH, Complete
2	104-1602	1	Seal-Oil
3	104-1603	1	Seal-Oil
4	104-1604	1	Ring-Snap
5	104-1605	1	Spacer
6	104-1606	1	Shaft-Selector
7	104-1607	2	Seal-Oil
8	104-1608	4	Bolt-Flange
9	104-1609	2	Plug-Check, Oil
10	104-1610	2	Gasket
11	104-1611	2	Plug-Drain, Oil
12	104-1612	2	Gasket
13	104-1613	1	Plug-Filler, Oil
14	104-1614	1	Case-Complete, RH
15	104-1615	1	Seal-Oil
16	104-1616	1	Shaft-Governor
17	104-1617	1	Fork-Governor
18	104-1618	1	Stopper
19	104-1619	4	Screw And Washer ASM
20	104-1620	1	Shaft-Input, Complete
21	104-1621	1	Base-Governor
22	104-1622	1	Pin-Lock
23	104-1623	1	Unit-Plate, Governor
24	104-1624	1	Bearing-Ball

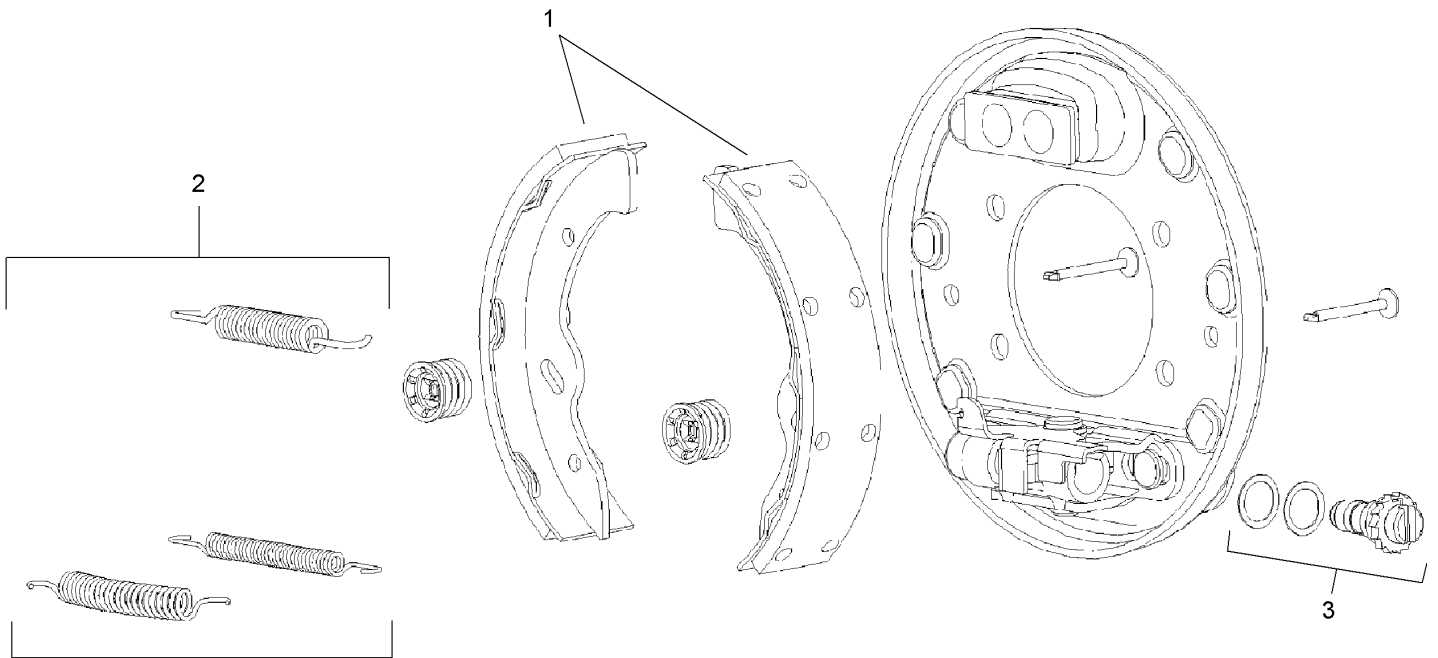
Ref	Part No.	Qty.	Description
25	104-1625	1	Sleeve-Governor
26	104-1626	2	Bearing-Ball
27	104-1627	1	Spacer
28	104-1628	1	Gear
29	104-1629	1	Bracket-Wire, Change
30	104-1630	1	Clutch-Pin
31	104-1631	1	Shaft-Center
32	104-1632	1	Gear-47
33	104-1633	2	Collar
34	104-1634	1	Gear
35	104-1635	6	Bolt-Flange
36	104-1636	1	Bearing-Ball
37	104-1637	1	Bearing-Ball
38	104-1638	2	Spacer
39	104-1639	1	Gear-34
40	104-1640	1	Shaft-Counter
41	104-1641	1	Case-Differential
42	104-1642	2	Gear-Side, Differential
43	104-1643	2	Pinion-Differential
44	104-1644	1	Shaft-Differential
45	104-1645	1	Pin
46	104-1646	1	Bearing-Ball
47	104-1647	1	Bearing-Needle
48	104-1648	1	Gear-62



Transaxle Assembly No. 99-7941 (continued)

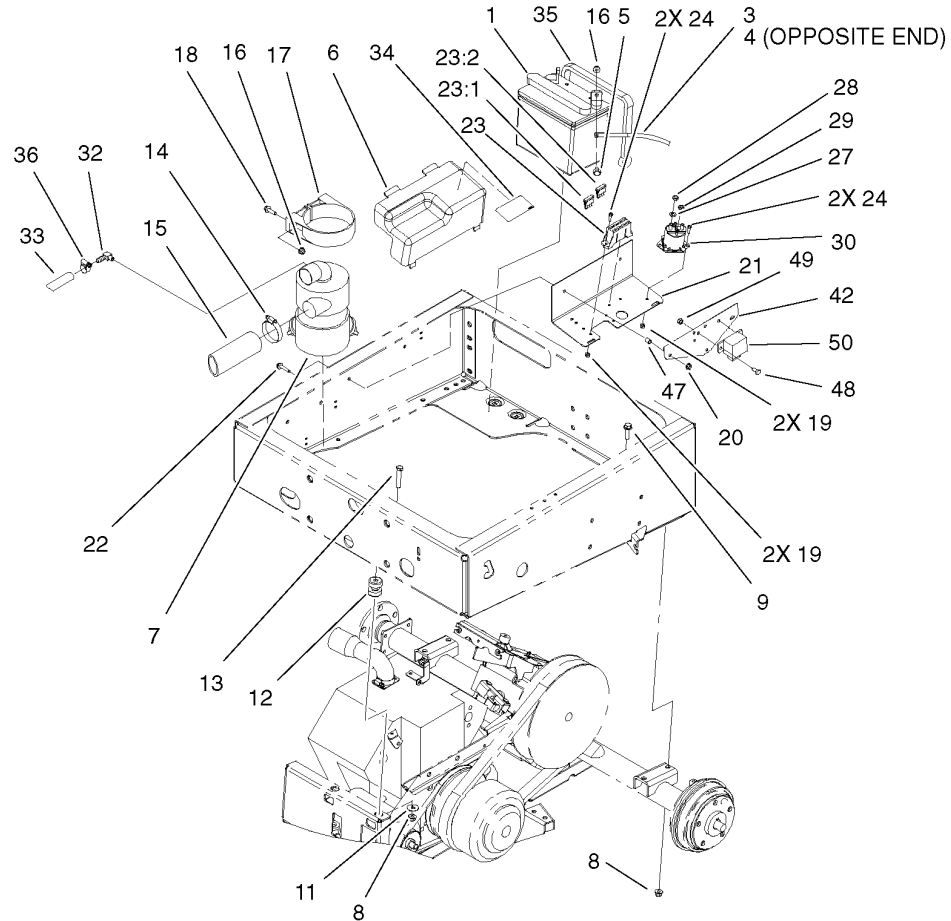
Ref	Part No.	Qty.	Description
49	104-1649	6	Bolt
50	104-1650	1	Shaft-Axle, LH
51	104-1651	1	Shaft-Axle, RH
52	104-1652	4	Bearing-Ball
53	104-1653	1	Case-Axle, LH
54	104-1654	1	Case-Axle, RH
55	104-1655	4	Ring-Snap
56	104-1656	2	Nut-Castle
57	104-1657	2	Ring-Snap
58	104-6870	1	Shaft-Shift, Complete
59	104-1659	2	Knock-Pipe
60	104-1660	1	Ball-Steel
61	104-1661	1	Spring
62	104-1662	1	Gasket
63	104-1663	1	Bolt
64	104-1664	1	Gasket
65	104-1665	6	Bolt-Flange
66	104-1666	1	Bolt-Flange
68	104-6866	1	Bolt
69	104-6867	2	Collar
70	33004-00	11	Nut-HF
71	104-1671	2	Bracket-Axle
72	104-1672	1	Nut-Lock
73	104-1673	2	Washer-Spring

Ref	Part No.	Qty.	Description
74	104-1674	2	Washer
75	104-1675	2	Hub
76	104-6860	1	Lever-Select
77	104-6869	2	Bolt-Flange



Right Hand Brake Assembly No. 99-7136

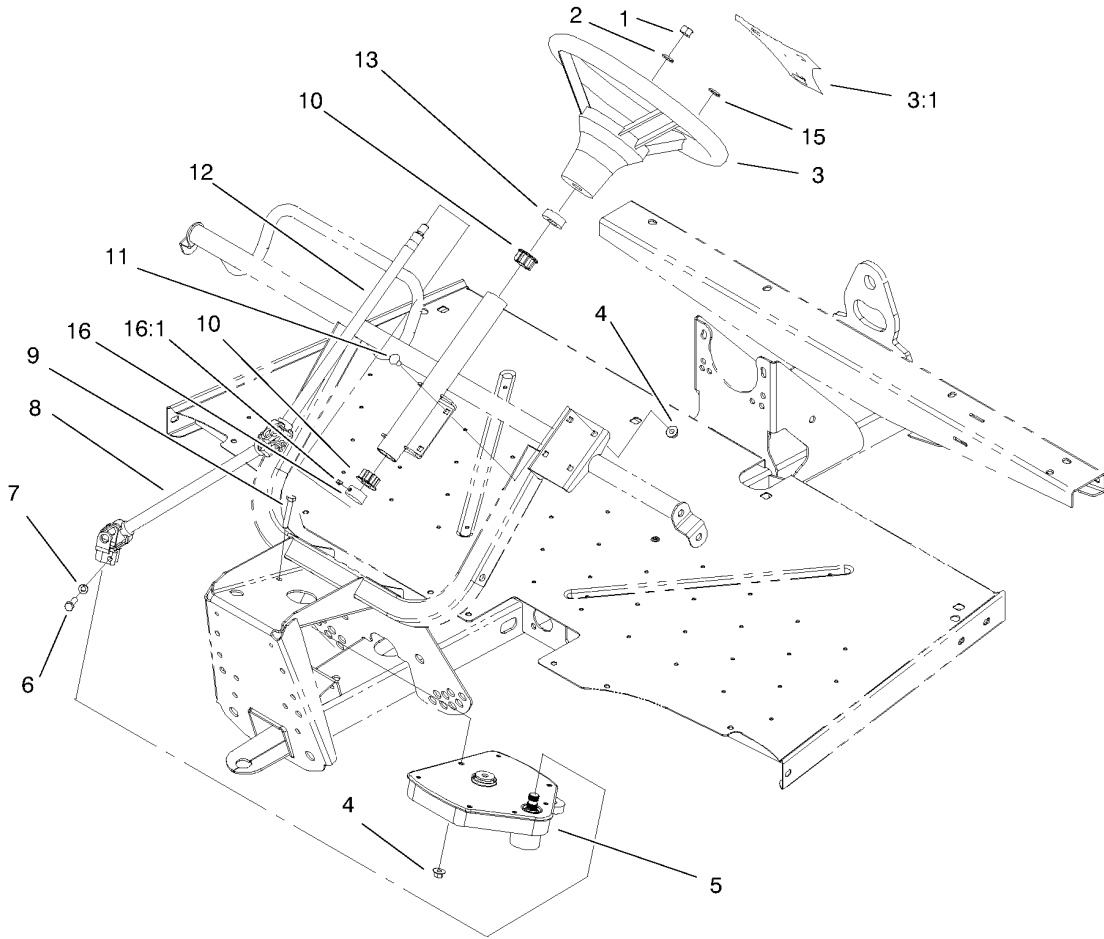
Ref	Part No.	Qty.	Description
1	104-1243	1	Shoe And Lining Kit
2	104-1244	1	Spring Kit
3	104-1246	1	RH Adjuster Kit



Drivetrain Mount Assembly

Ref	Part No.	Qty.	Description
1	99-7421	1	Battery (Wet)
3	99-7428	1	Cable-Negative
4	99-7404	1	Cable-Positive
5	3234-5	2	Screw-HHF
6	99-7325	1	Cover-Electrical
7	99-7120	1	Filter-Air
8	104-8301	6	Nut-Flange, NI
9	3234-24	4	Screw-HHF
11	3256-35	2	Washer-Flat
12	95-2596	2	Mount-Iso
13	323-10	2	Screw-HH
14	2412-130	1	Clamp-Hose
15	104-6528	1	Hose-Intake
16	104-8300	4	Nut-Flange, NI
17	95-5806	1	Bracket-Mounting
18	3234-17	2	Screw-HHF
19	3296-2	4	Nut-Lock
20	32128-32	2	Nut-HHF
21	99-7051-03	1	Mount-Component
22	3234-21	2	Screw-Cap
23	99-7425	1	Harness-Wire, Main
23:1	218-578	3	Fuse-10 Amp
23:2	109102	1	Fuse-25 Amp
24	32105-13	4	Screw-SHH

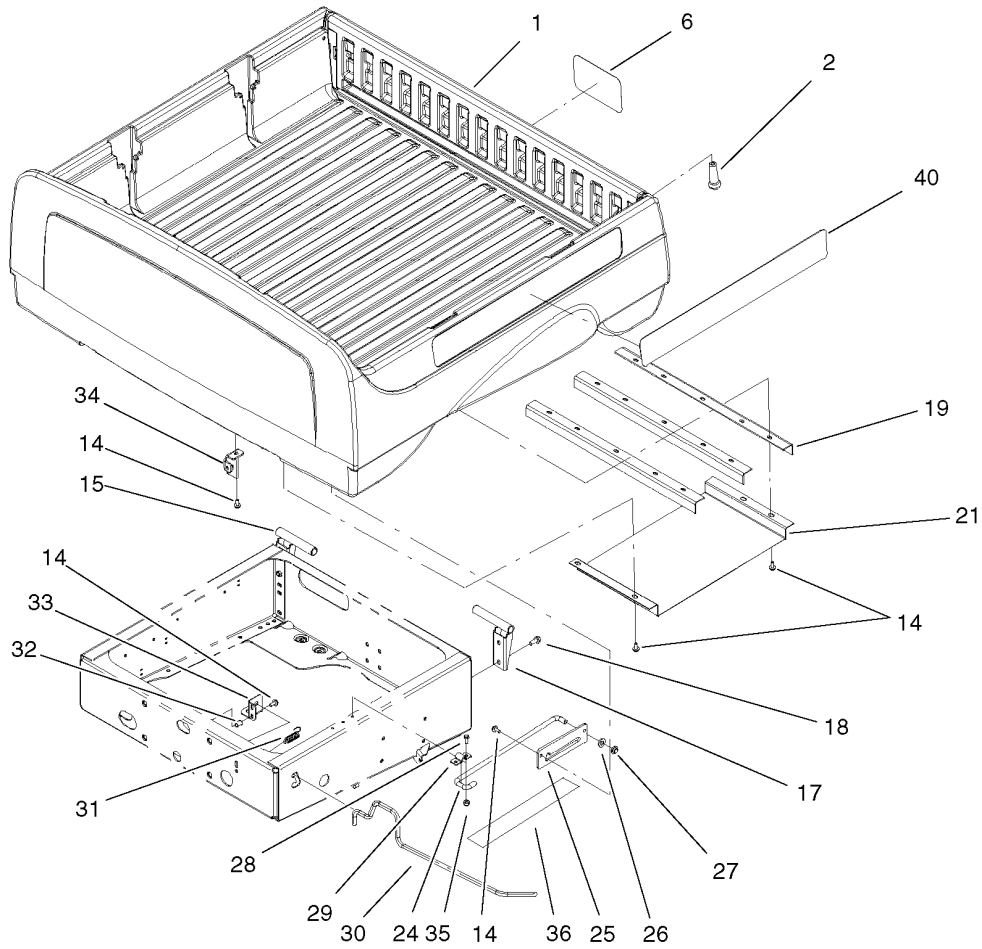
Ref	Part No.	Qty.	Description
27	3255-8	2	Washer-Lock
28	3218-2	2	Nut-Jam
29	32149-8	2	Nut-Keps
30	28-4210	1	Solenoid
32	99-7230	1	Fitting-90 DEG
33	99-7842	1	Hose-Breather
34	99-7958	1	Decal-Information
35	99-7197	1	Strap-Epdm
36	2412-36	2	Clamp-Hose
42	99-7370-03	1	Bracket-Ignition
48	321-3	2	Screw-HH
49	3296-56	2	Nut-Lock, NI
50	66-8800	1	Relay



Upper Steering Assembly

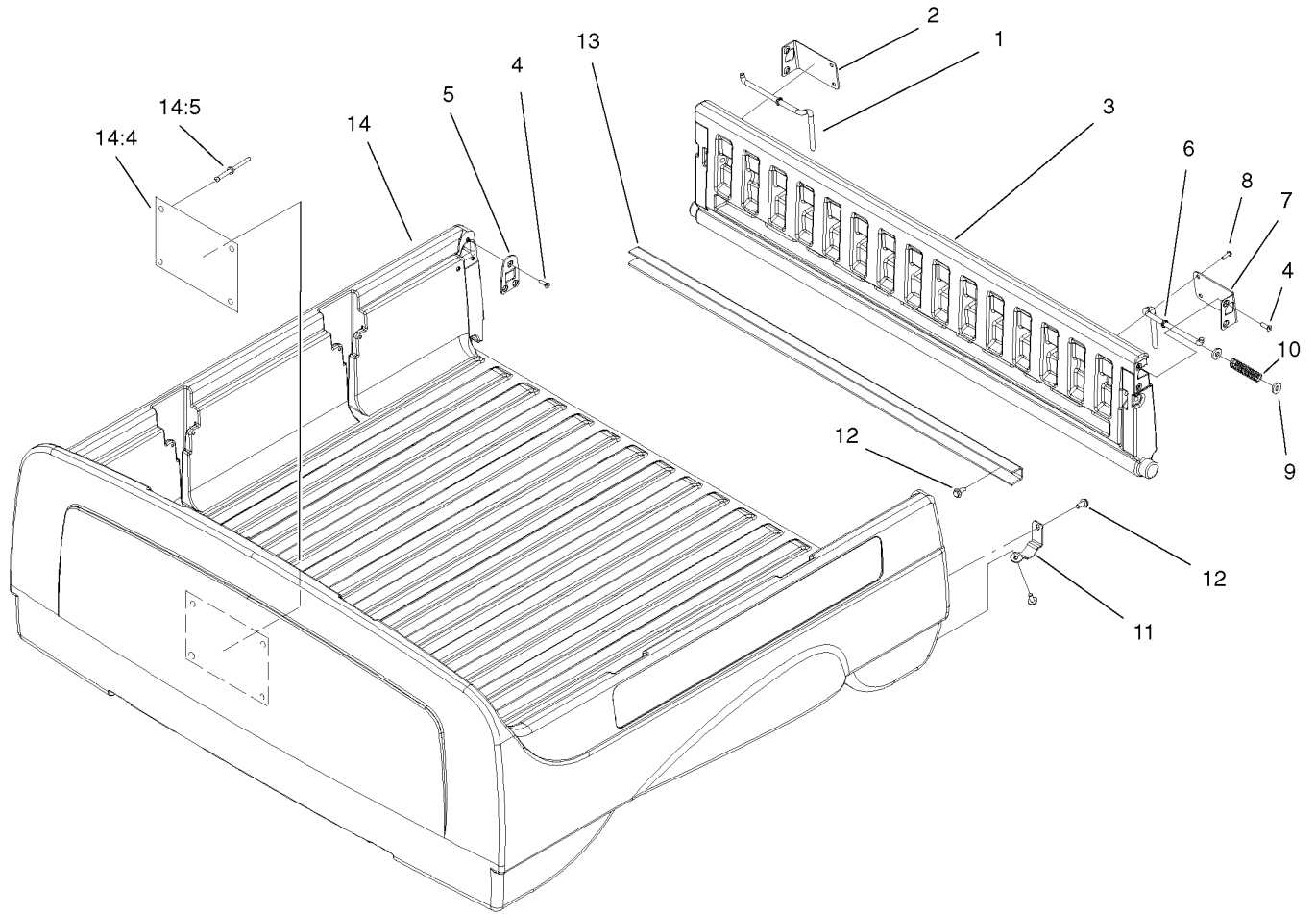
Ref	Part No.	Qty.	Description
1	3277-1	1	Nut-Hex
2	48-8070	1	Washer-Lock
3	98-1471	1	Wheel-Steering
3:1	98-1468	1	Cover-Wheel, Steering
4	104-8300	7	Nut-Flange, NI
5	99-7660	1	Steering Gearbox ASM
6	48-7730	1	Screw-HH
7	3253-4	1	Washer-Lock
8	99-7653	1	Shaft-Steering
9	322-10	3	Screw-HH
10	93-1146	2	Bushing-Upper, Steering
11	3230-1	4	Bolt-CARR
12	99-7651-03	1	Column-Steering
13	21-9260	1	Cover-Dust
15	98-1459	1	Decal
16	111383	1	Collar
16:1	3245-32	1	Screw-HSH

--	--	--	--



Box And Tailgate Assembly

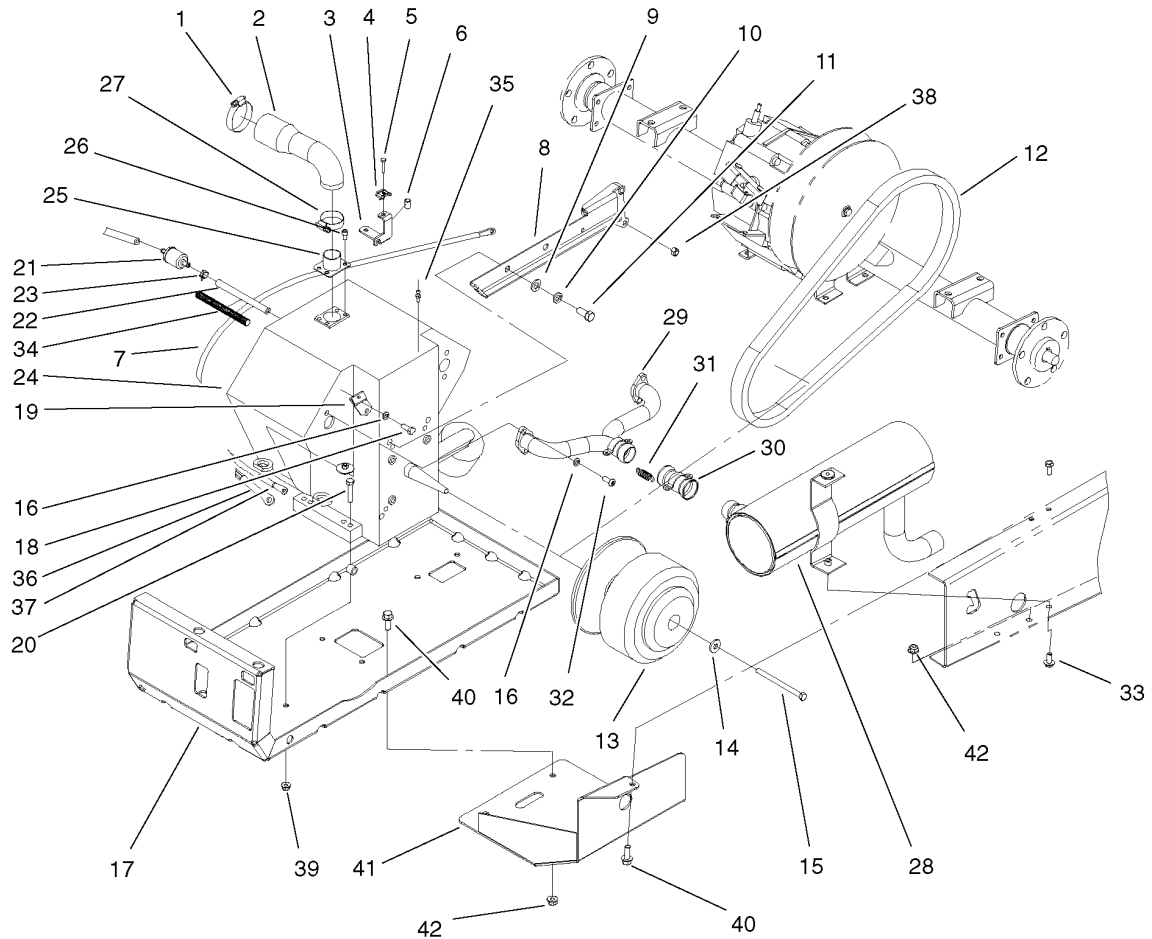
Ref	Part No.	Qty.	Description
1		1	Box And Tailgate ASM
2	99-7984	2	Knob-Soft Grip, Push-On
6	99-7337	1	Decal-Tailgate, Toro
14	3234-5	18	Screw-HHF
15	99-7309-03	1	RH Pivot Bracket ASM
17	99-7308-03	1	LH Pivot Bracket ASM
18	3234-11	4	Screw-HHF
19	99-7864-03	3	Brace-Box
21	99-7870	1	Shield-Heat
24	99-7895	1	Rod-Prop
25	99-7894	1	Bracket-Rod, Prop
26	3256-26	1	Washer-Flat
27	32112-14	1	Nut-Push
28	3234-17	2	Screw-HHF
29	99-7896	1	Bracket-U, Prop Rod
30	99-7745	1	Rod-Latch
31	5-7290	1	Spring-Tension
32	32148-7	2	Nut-Insert
33	99-7744-03	1	Bracket-Latch
34	99-7742-03	1	Hook-Latch, RH
35	104-8300	1	Nut-Flange, NI
36	104-6859	1	Shield-Heat
40	99-7953	2	Decal-Twister



Tailgate Assembly

Ref	Part No.	Qty.	Description
1	99-7860	1	Rod-Latch, Right
2	99-7858	1	Bracket-Tailgate Latch, Right
3	99-7893	1	Tailgate ASM
4	99-7334	10	Screw
5	99-7852	2	Plate-Striker
6	99-7859	1	Rod-Latch, Left
7	99-7857	1	Bracket-Tailgate Latch, Left
8	99-7335	4	Screw
9	99-7861	4	Washer-Latch
10	61-8880	2	Spring
11	99-7286	2	Bracket-Pivot, Tailgate
12	3234-5	10	Screw-HHF
13	99-7867	1	Channel-Tailgate
14	99-7891	1	Box ASM
14:4	99-7954	1	Decal-No Riders
14:5	3290-415	4	Rivet

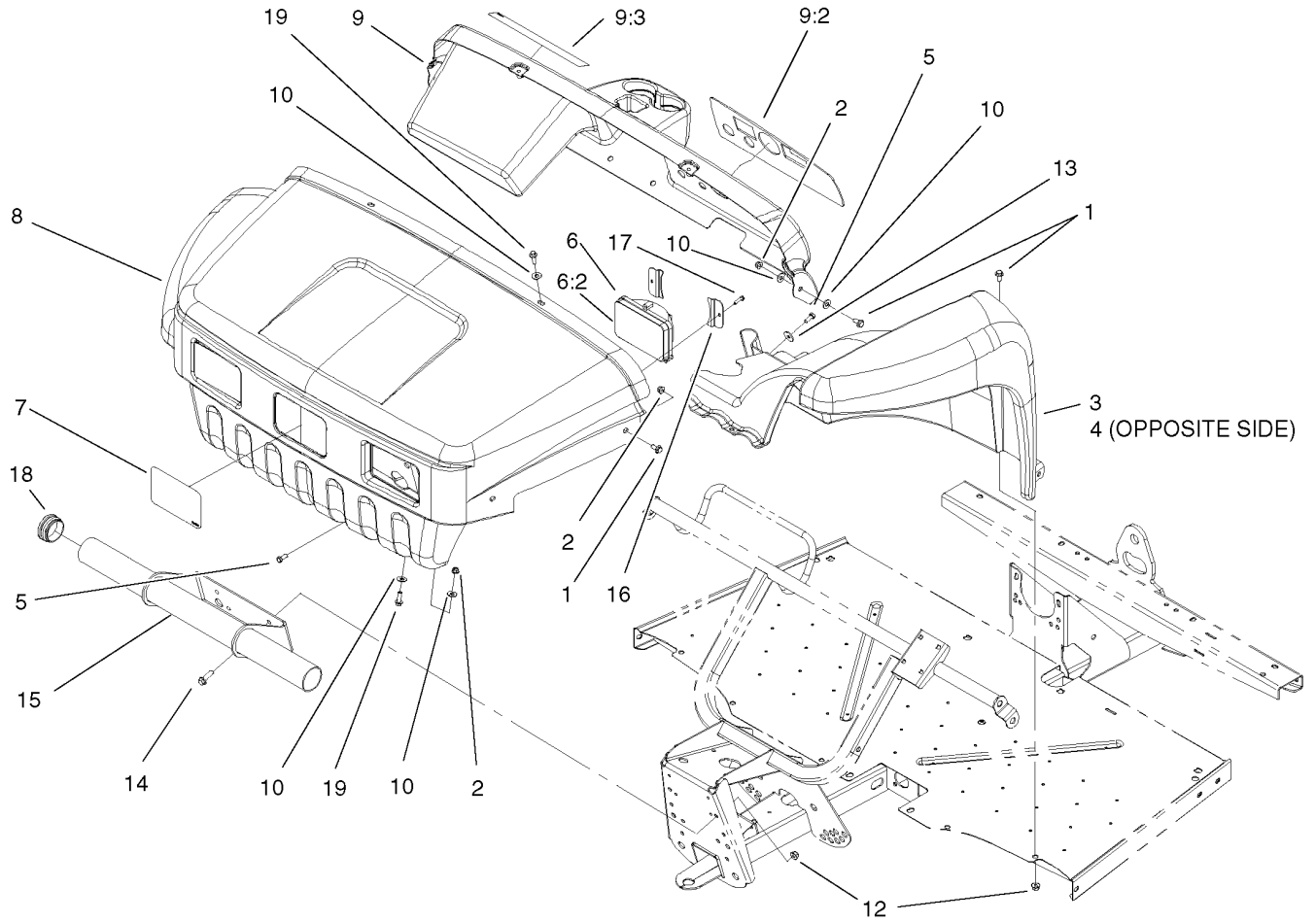
--	--	--	--



Engine And Clutch Assembly

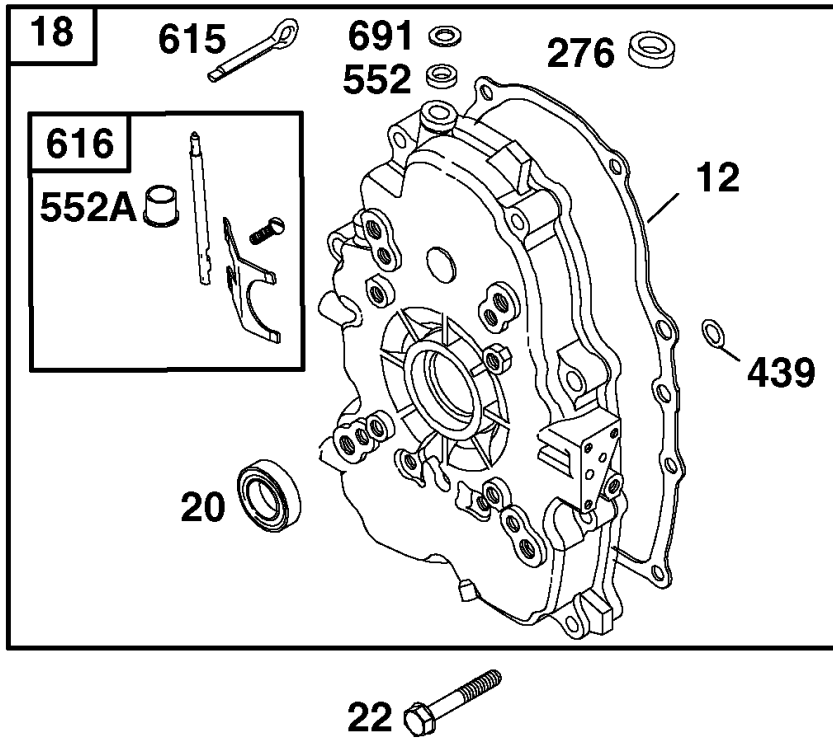
Ref	Part No.	Qty.	Description
1	2412-130	1	Clamp-Hose
2	99-7106	1	Hose-Intake
3	99-7097	1	Bracket-Cable
4	81-1690	1	Clamp-Cable
5	3290-432	1	Screw-HH
6	32148-14	1	Insert-Threaded
7	99-7942	1	Cable-Throttle
8	99-7127-03	1	Arm-Torque
9	3256-25	2	Washer-Flat
10	3253-6	2	Washer-Lock
11	324-4	2	Screw-HH
12	99-7144	1	Belt-Drive
13	99-7939	1	Clutch-Drive
14	5-0838	1	Washer
15	99-7201	1	Screw-HH
16	3253-4	6	Washer-Lock
17	104-6433-03	1	Mount-Engine
18	66-3160	2	Screw-Cap
19	99-7119	1	Bracket-Tie, Cable
20	322-8	4	Screw-HH
21	94-2690	1	Filter-Fuel
22	99-7190	1	Hose-Fuel
23	2412-98	3	Clamp
24		1	Engine-B&s, 303447-1314-E1

Ref	Part No.	Qty.	Description
25	99-7083	1	Bracket-Intake
26	99-7202	4	Screw
27	2412-3	1	Clamp-Hose
28	104-6475	1	Muffler-Engine
29	104-6476	1	Manifold-Engine
30	104-6477	1	Coupler-Exhaust
31	104-6478	4	Spring-Coupler, Exhaust
32	3274-96	4	Screw
33	3234-5	1	Screw-HHF
34	99-7377	1	Conduit-Line, Fuel
35	99-7847	1	Ball-Stud
36	99-7426	1	Harness-Wire, Engine
37	28-3894	1	Positive Red Wire ASM
38	33024-00	2	Nut-Lock
39	104-8300	4	Nut-Flange, NI
40	3234-11	3	Screw-HHF
41	104-6408-03	1	Clutch Guard ASM
42	104-8301	3	Nut-Flange, NI



Hood And Fender Assembly

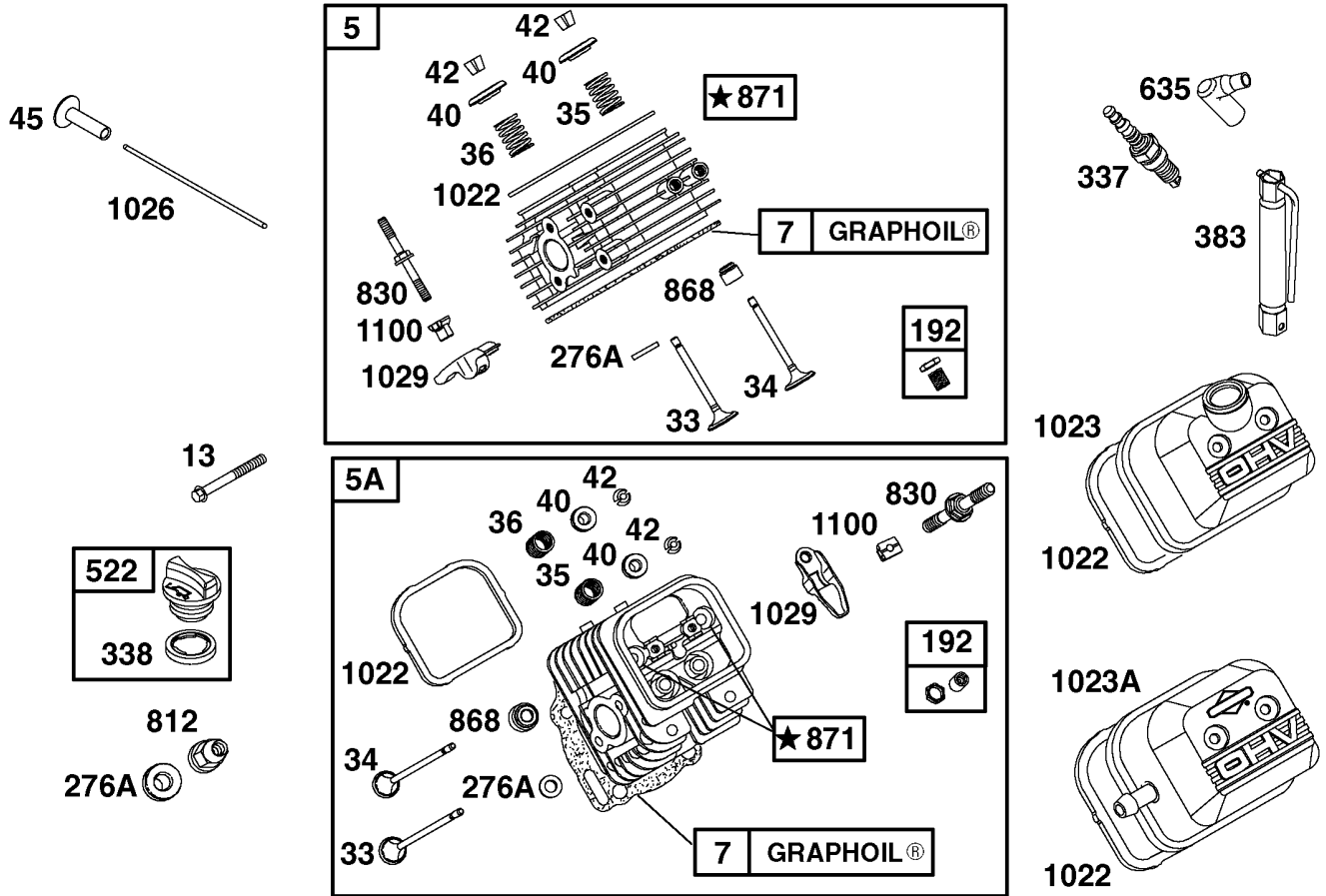
Ref	Part No.	Qty.	Description
1	3234-5	13	Screw-HHF
2	104-8300	14	Nut-Flange, NI
3	99-7383	1	Fender ASM-LH
4	99-7384	1	Fender ASM-RH
5	32104-32	4	Screw-HWH
6	87-2120	2	Headlight
6:1	95-0909	1	Lamp-12 Volt
6:2	87-6330	1	Lens-Headlight
7	62-5550	1	Decal
8	99-7379	1	Hood ASM
9	99-7385	1	Dash ASM
9:2	99-7951	1	Decal-Warning, Dash
9:3	99-7344	1	Decal-Danger
10	3256-3	12	Washer-Flat
12	104-8301	6	Nut-Flange, NI
14	32144-67	4	Screw
15	99-7840-03	1	Bumper-Tube
16	99-7947	4	Bracket-Headlight
17	99-7331	4	Screw-HWH
18	2410-42	2	Cap-End
19	3234-17	6	Screw-HHF



Assemblies include all parts shown in frames.

Crankcase Assembly Briggs And Stratton 303447-1314-E1

Ref	Part No.	Qty.	Description				
12	691684	1	Gasket-Crankcase				
18	808847	1	Cover-Crankcase				
20	805049	1	Seal-Oil				
22	692540	1	Screw				
276	690704	1	Washer-Sealing				
439	692154	1	Seal-O Ring				
552	690701	1	Bushing-Crank, Governor				
552A	806686	1	Bushing-Crank, Governor				
615	691550	1	Retainer-Shaft, Governor				
616	806685	1	Crank-Governor				
691	690680	1	Seal-Shaft, Governor				

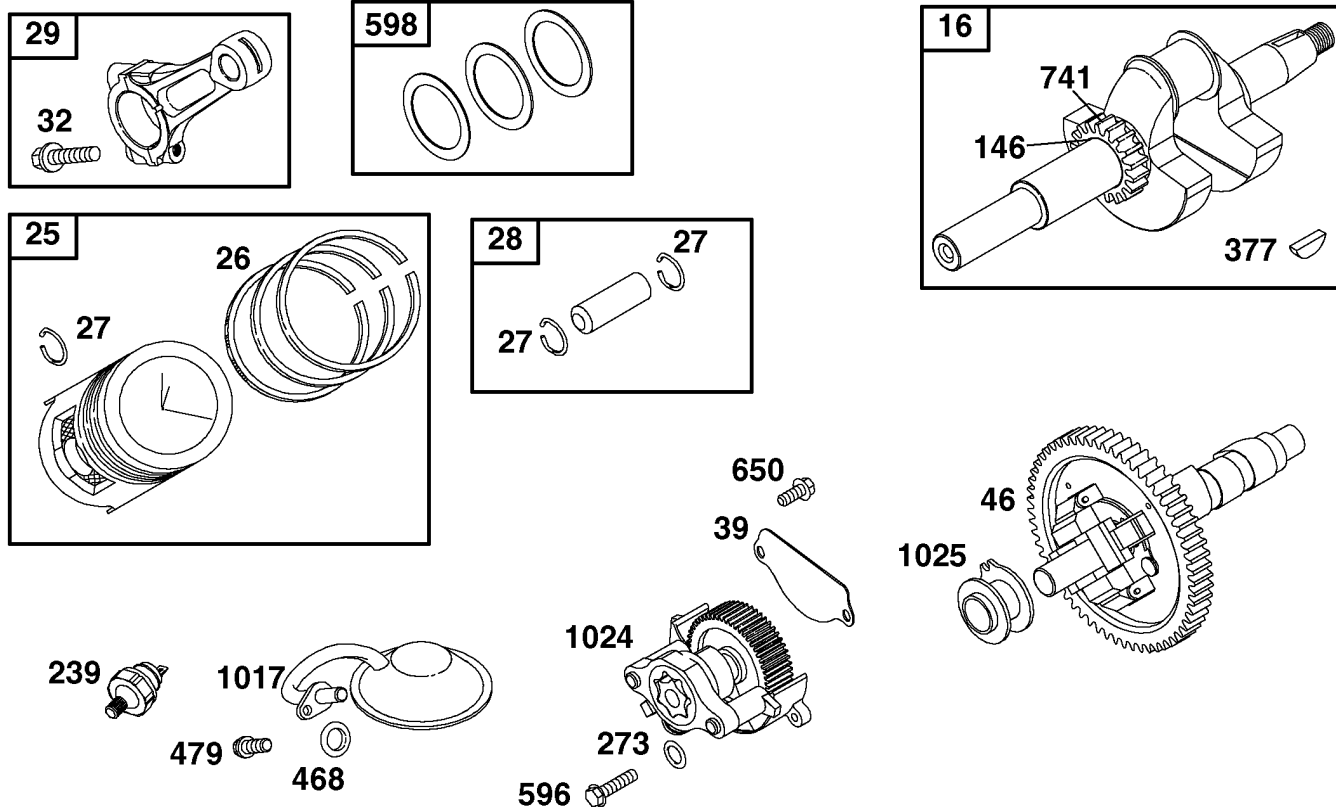


Assemblies include all parts shown in frames.

Cylinder Head And Cover Assembly Briggs And Stratton 303447-1314-E1

Ref	Part No.	Qty.	Description
5	808381	1	Head-Cylinder (Cylinder No. 1)
5A	808382	1	Head-Cylinder (Cylinder No. 2)
★ 47	806085	1	Gasket-Head, Cylinder
13	692059	1	Screw
33	807681	1	Valve-Exhaust
34	807680	1	Valve-Intake
35	692084	1	Spring-Valve
36	692084	1	Spring-Valve
40	692058	1	Retainer-Valve
42	807683	1	Keeper-Valve
45	690977	1	Valve-Tappet
192	807623	1	Adjuster-Arm, Rocker
★ 4276A	691766	1	Washer-Sealing
337	491055	1	Plug-Spark
★ 4338	691312	1	Gasket-Dipstick
383	19374	1	Wrench-Spark Plug
522	491832	1	Plug-Dipstick / Fill
635	692076	1	Boot-Spark Plug
812	692055	1	Nut
830	691544	1	Stud-Rocker Arm
★ 4868	691963	1	Seal-Valve
871	692057	1	Bushing-Guide, Valve
★ 41022	806039	1	Gasket-Cover, Rocker
1023	690758	1	Cover-Valve

Ref	Part No.	Qty.	Description
1023A	691558	1	Cover-Valve
1026	691836	1	Rod-Push
	691758	1	Rod-Push
1029	691543	1	Arm-Rocker
1100	690973	1	Pivot-Arm, Rocker

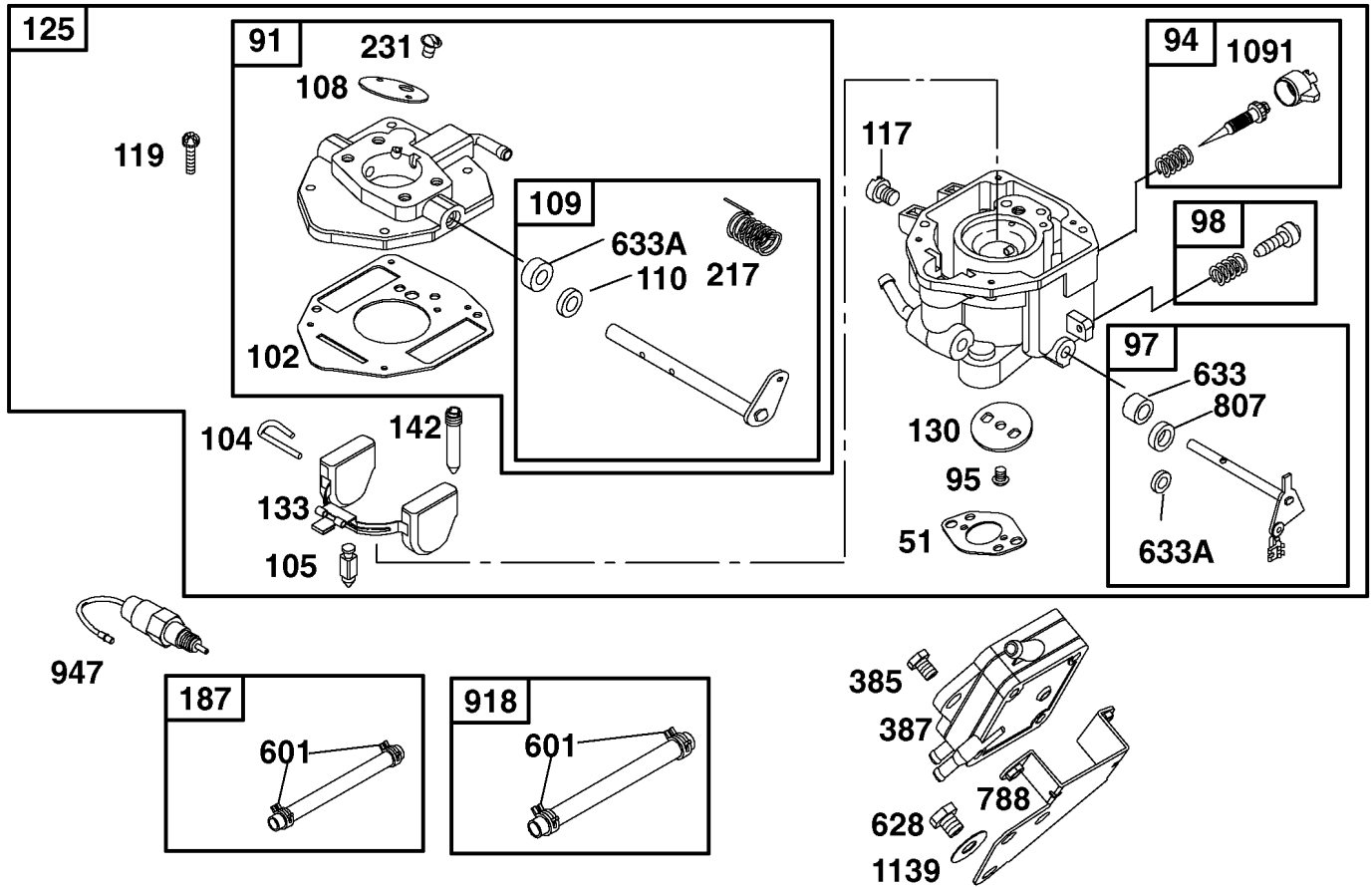


Assemblies include all parts shown in frames.

Crankshaft, Piston And Oil Pump Assembly Briggs And Stratton 303447-1314-E1

Ref	Part No.	Qty.	Description
16	692163	1	Crankshaft
25	807619	1	Piston ASM (Standard)
	807807	1	Piston ASM (.010 Oversize)
	807809	1	Piston ASM (.020 Oversize)
	807811	1	Piston ASM (.030 Oversize)
26	807620	1	Ring Set (Standard)
	807808	1	Ring Set (.010 Oversize)
	807810	1	Ring Set (.020 Oversize)
	807812	1	Ring Set (.030 Oversize)
27	690683	1	Lock-Pin, Piston
28	807621	1	Pin-Piston
29	807900	1	Rod-Connecting (Standard)
32	690698	1	Screw
39	690745	1	Deflector-Oil
46	691557	1	Camshaft
146	691639	1	Key-Timing
239	690233	1	Switch-Pressure, Oil
273	690681	1	Seal-O Ring
377	808095	1	Key-Woodruff
468	690690	1	Seal-O Ring
479	692537	1	Screw
596	691492	1	Screw
598	807625	1	Shim-Play, End
650	692539	1	Screw

Ref	Part No.	Qty.	Description
741	691530	1	Gear-Timing
1017	690900	1	Screen-Pump, Oil
1024	693185	1	Pump-Oil
1025	690689	1	Spool-Governor

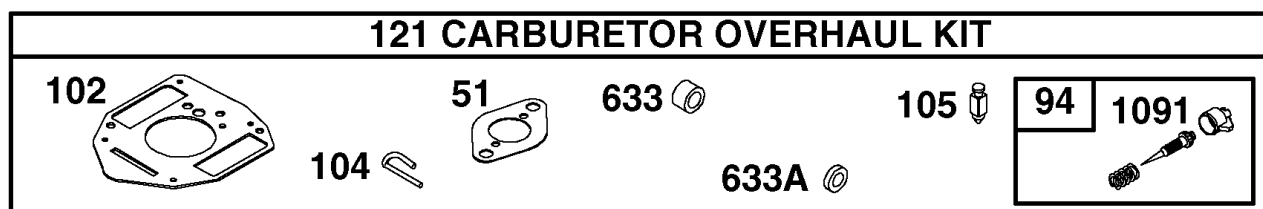
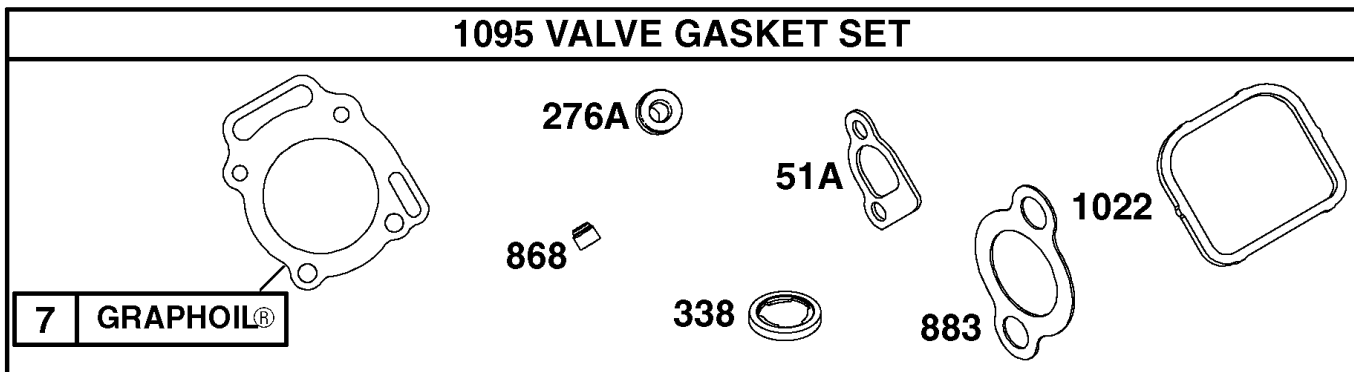


Assemblies include all parts shown in frames.

Carburetor And Fuel Pump Assembly Briggs And Stratton 303447-1314-E1

Ref	Part No.	Qty.	Description
51	691694	1	Gasket-Intake
91	808964	1	Body-Carburetor, Upper
94	808257	1	Idle Mixture Kit
95	690718	1	Screw
97	809007	1	Shaft-Throttle
98	808177	1	Screw
102	692077	1	Gasket-Body, Carburetor
104	690723	1	Pin-Hinge, Float
105	692078	1	Valve-Needle, Float
108	690719	1	Valve-Choke
109	809062	1	Shaft-Choke
110	806861	1	Washer
117	806986	1	Jet-Main
119	690720	1	Screw
125	809092	1	Carburetor
130	690726	1	Valve-Throttle
133	806961	1	Float-Carburetor
142	806987	1	Nozzle-Carburetor
187	691050	1	Line-Fuel (Cut To Required Length)
217	806862	1	Spring-Return, Choke
231	690718	1	Screw
385	693169	1	Screw
387	808656	1	Pump-Fuel

Ref	Part No.	Qty.	Description
601	691038	1	Clamp-Hose
628	806660	1	Screw
633	806131	1	Seal-Shaft, Choke / Throttle
633A	690722	1	Seal-Shaft, Choke / Throttle
788	691559	1	Bracket-Pump, Fuel
807	805557	1	Collar-Throttle
918	393815	1	Line-Vacuum
947	692094	1	Solenoid-Fuel
1091	691516	1	Cap-Limiter
1139	806497	1	Washer



Assemblies include all parts shown in frames.

Valve Gasket Set And Carburetor Overhaul Kit Briggs And Stratton 303447-1314-E1

Ref	Part No.	Qty.	Description
④7	806085	1	Gasket-Head, Cylinder
⑤51	691694	1	Gasket-Intake
④51A	692035	1	Gasket-Intake
⑤94	808257	1	Idle Mixture Kit
⑤102	692077	1	Gasket-Body, Carburetor
⑤104	690723	1	Pin-Hinge, Float
⑤105	692078	1	Valve-Needle, Float
121	809023	1	Carburetor Overhaul Kit
④276A	691766	1	Washer-Sealing
④338	691312	1	Gasket-Dipstick
⑤633	806131	1	Seal-Shaft, Choke / Throttle
⑤633A	690722	1	Seal-Shaft, Choke / Throttle
④868	691963	1	Seal-Valve
④883	691613	1	Gasket-Exhaust
④1022	806039	1	Gasket-Cover, Rocker
⑤1091	691516	1	Cap-Limiter
1095	808392	1	Valve Gasket Set

NOTES

