



Workman[®] 2100 Utility Vehicle

Model No. 07253 - 200000001 and up.

Model No. 07253TC - 200000001 and up.

Model No. 104-6640

Parts Catalog

Ordering Replacement Parts

To order replacement parts, please supply the part number, the quantity, and the description of each part desired.

Understanding Reference Numbers

Each identified part in an illustration has a reference number. The reference number for a part also appears in the parts list, along with other information about the part.

This catalog uses two special reference number formats, one to indicate parts in a service assembly and another to indicate the quantity of a given part in an illustration.

Service Assembly Reference Numbers

Parts in service assemblies have reference numbers in the form a:b. The a represents the reference number of the entire service assembly and the b represents a sequential number unique to each part within the service assembly.

For example, a wheel assembly might be identified by reference number 6, the tire by 6:1, the valve by 6:2, and the wheel by 6:3. When you order the assembly identified by reference number 6, you receive all parts identified by reference numbers 6:1, 6:2, and 6:3. However, you may also order any part individually. Reference numbers of this type appear in illustrations and in part lists.

Reference Numbers Indicating Quantity

In an illustration, if a reference number indicates more than one part, the reference number has the form nX y. The n represents the quantity of the part, the X is the multiplication symbol, and the y represents the reference number.

For example, in an illustration, the reference number 2X 37 means that two of the parts identified by reference number 37 are indicated.

Contents

Description	Page	Description	Page
Hood and Fender Assembly	3	Steering Gearbox Assembly	22
Pedal Assembly	4	Box and Tailgate Assembly	23
Shifter Assembly	5	Cylinder Assembly Briggs and Stratton Model 303440-1409-E1	24
Frame Assembly	6	Crankshaft, Piston and Oil Pump Assembly Briggs and Stratton Model 303440-1409-E1	25
Seatbase Assembly	7	Cylinder Head Assembly Briggs and Stratton Model 303440-1409-E1	26
Front Tire and Steering Assembly	8	Carburetor Assembly Briggs and Stratton Model 303440-1409-E1	27
Engine and Clutch Assembly	9	Manifold and Governor Assembly Briggs and Stratton Model 303440-1409-E1	28
Clutch Assembly No. 99-7145	11	Blower Housing Assembly Briggs and Stratton Model 303440-1409-E1	29
Starter Generator Assembly No. 99-7108	12	Flywheel Assembly Briggs and Stratton Model 303440-1409-E1	30
Rear Tire and Transaxle Assembly	13	Engine Gasket Set Assembly Briggs and Stratton Model 303440-1409-E1	31
Transaxle Assembly No. 104-6898	14		
Clutch Assembly No. 99-7104	16		
Right Hand Brake Assembly No. 99-7136	17		
Left Hand Brake Assembly No. 99-7137	18		
Drivetrain Mount Assembly	19		
Air Cleaner Assembly No. 99-7120	20		
Upper Steering Assembly	21		

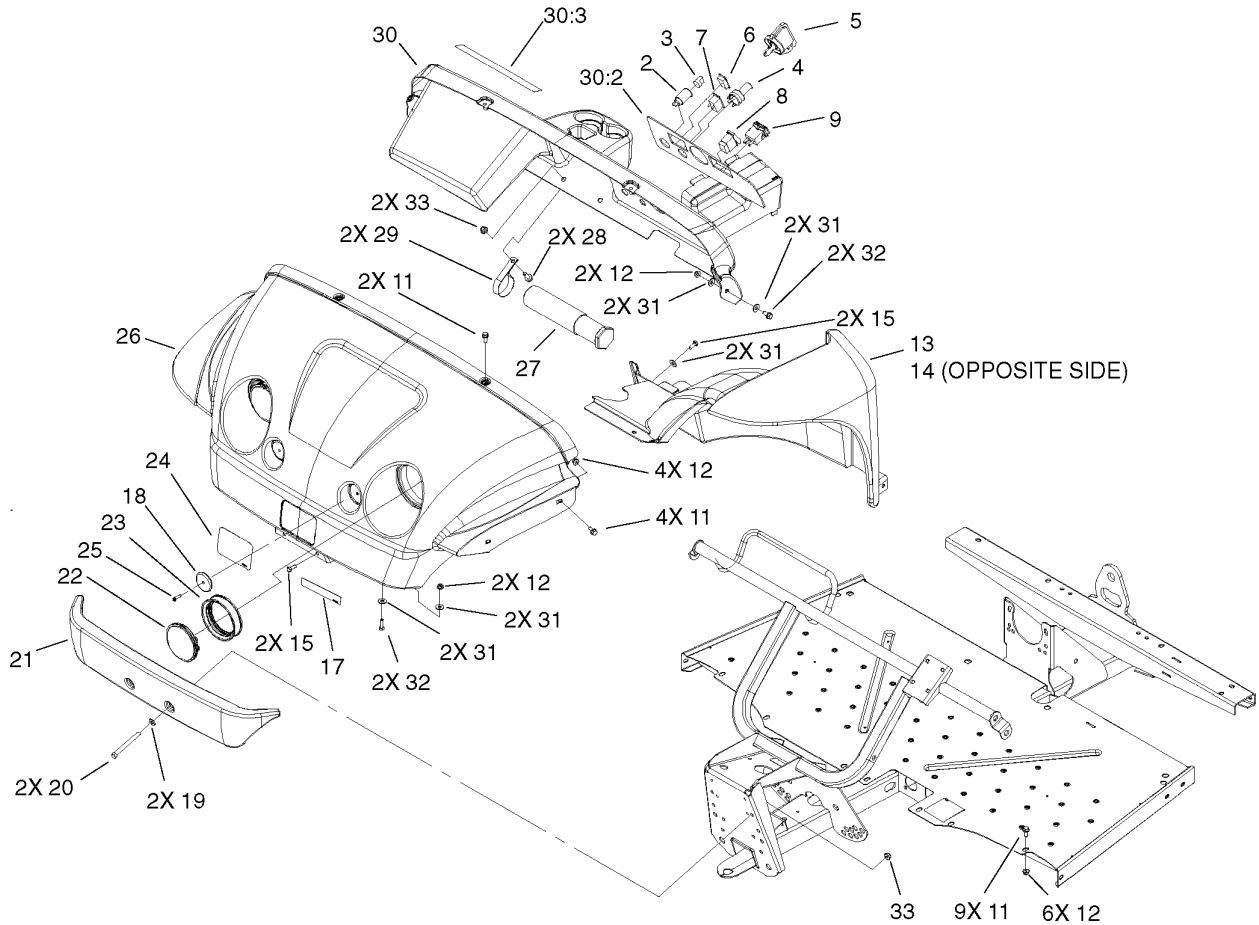
Part Description Abbreviations

Part descriptions in this catalog may include the following abbreviations.

AR. as required	HYD. hydraulic
ASM. assembly	LH. left hand
BBC. blade brake clutch	NI. nylon insert
CARR. carriage	NPTF. national pipe thread fine
DEG. degrees	PFH. phillips flat head
EXT. external	PPH. phillips pan head
FH. flat head	PPHTF. phillips pan head thread forming
GA. gauge	PRH. phillips round head
HD. heavy-duty	PTH. phillips truss head
HF. hex flange	PTO. power-take-off
HH. hex head	RH. right hand
HHF. hex head flange	ROPS. roll-over protection system
HHFTF. hex head flange thread forming	SFH. slotted fillister head
HJ. hex jam	SHH. slotted hex head
HLH. hex lag head	SHWH. slotted hex washer head
HOC. height-of-cut	SPH. slotted pan head
HSBH. hex socket button head	SQH. square head
HSFH. hex socket flat head	SRH. slotted round head
HSH. hex socket head	STD. standard
HWH. hex washer head	TAP. self tapping
HWHTF. hex washer head thread forming	TTH. torx truss head

Footnotes

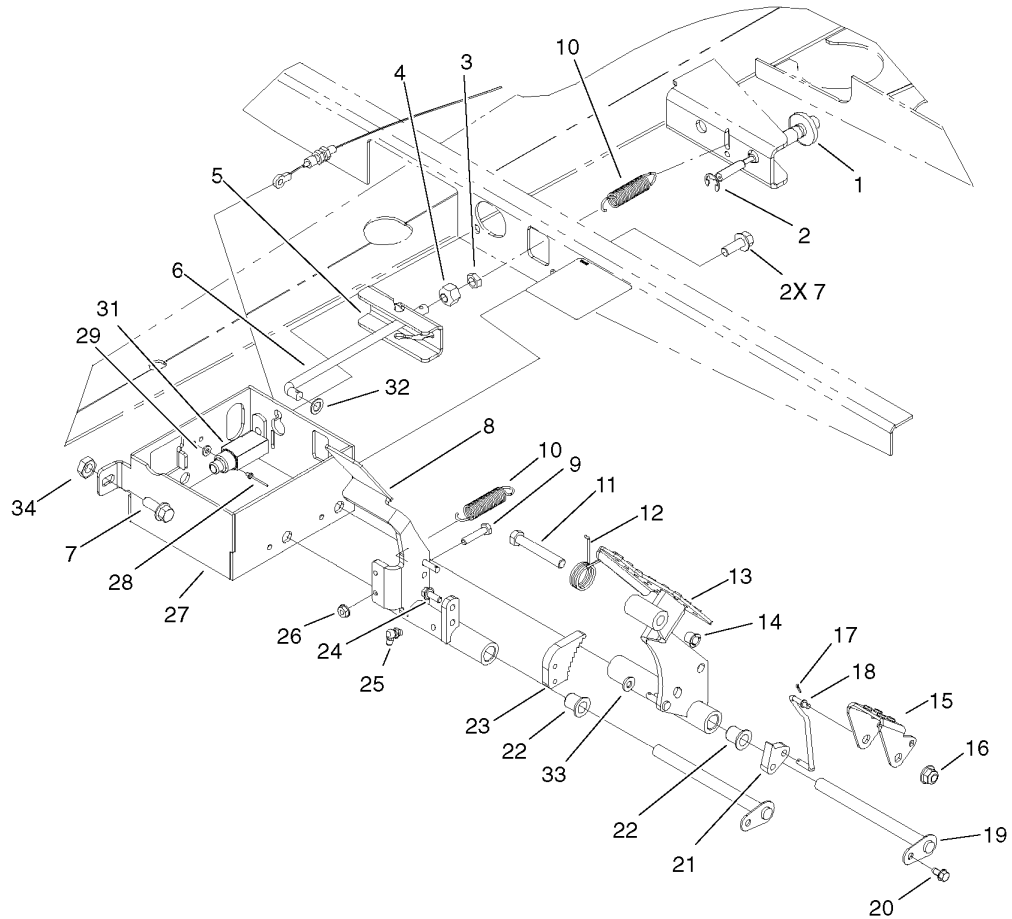
- | | |
|---|---|
| ❶ Not illustrated | ❷ Not serviced |
| ❸ Included in Valve Gasket Set-Part No. 808392 | ❹ Included in Engine Gasket Set-Part No. 808390 |
| ❺ Included in Carburetor Overhaul Kit-Part No. 808966 | ❻ Obtain from your local Briggs & Stratton dealer |



Hood and Fender Assembly

Ref	Part No.	Qty.	Description
2	99-7411	1	Point-Power
3	99-7416	1	Cap
4	104-6929	1	Switch-Ignition
5	99-7418	2	Key-Ignition
6	99-7420	1	Plug-Hole
7	99-7410	1	Light-Oil
8	95-8999	1	Switch
9	94-4208	1	Hourmeter
11	3234-5	13	Screw-HHF
12	104-8300	14	Nut-Flange, NI
13	99-7279	1	LH Fender ASM
14	99-7280	1	RH Fender ASM
15	32104-32	4	Screw-HWH
17	99-7338	1	Decal-Workman 2100
18	99-7312	2	Reflector
19	3256-24	2	Washer-Flat
20	323-42	2	Screw-HH
21	99-7733	1	Bumper-Plastic
22	99-7310	2	Headlight
23	99-7311	2	Mount-Headlight
24	99-7339	1	Decal
25	32144-89	2	Screw-Forming, Thread
26	104-7003	1	Hood
27	74-0720	1	Tube-Manual

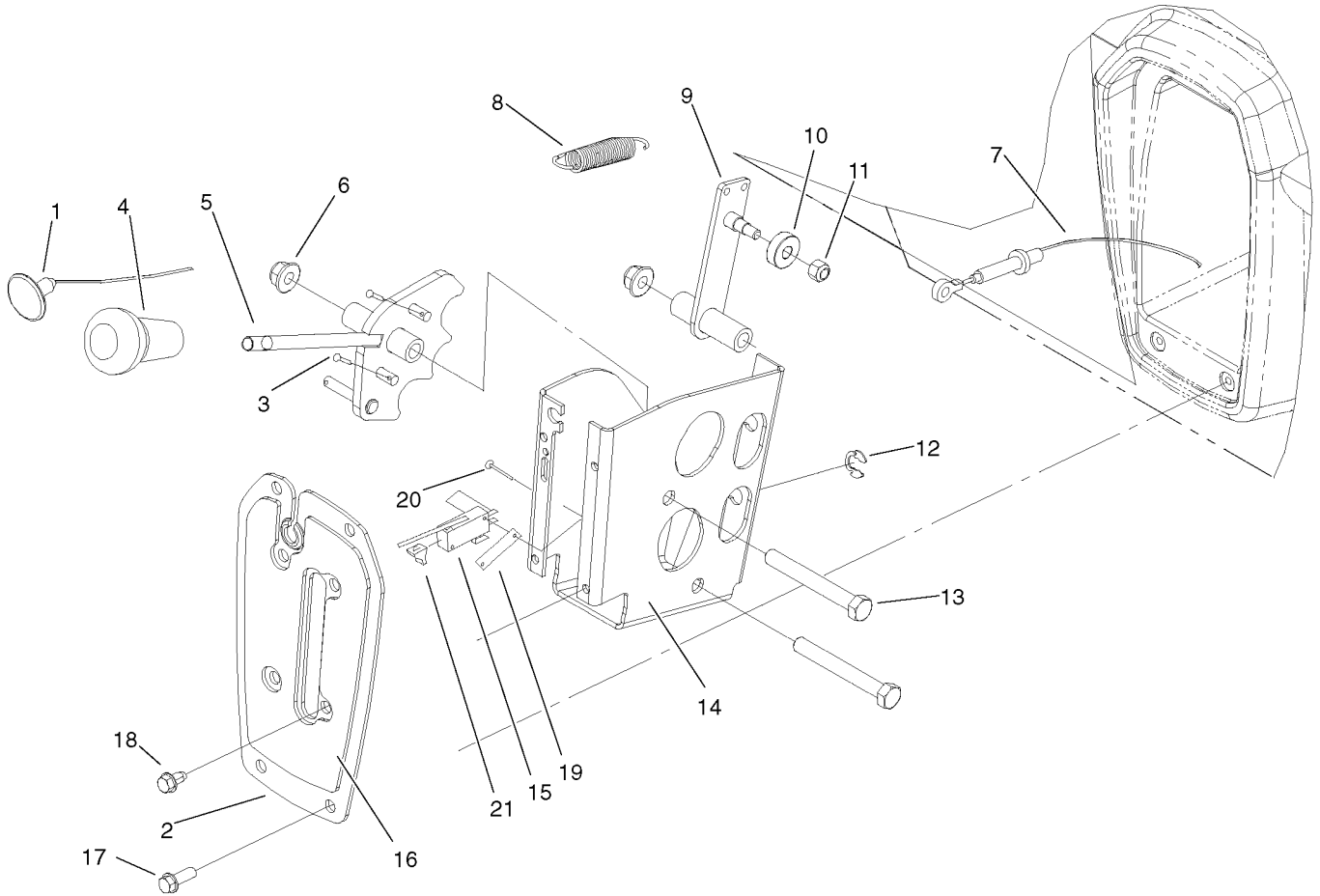
Ref	Part No.	Qty.	Description
28	3234-11	2	Screw-HHF
29	2412-133	2	R-Clamp
30	99-7360	1	Dash ASM
30:2	99-7343	1	Decal-Warning, Dash
30:3	99-7344	1	Decal-Danger
31	3256-3	10	Washer-Flat
32	3234-17	4	Screw-HHF
33	104-8301	4	Nut-Flange, NI



Pedal Assembly

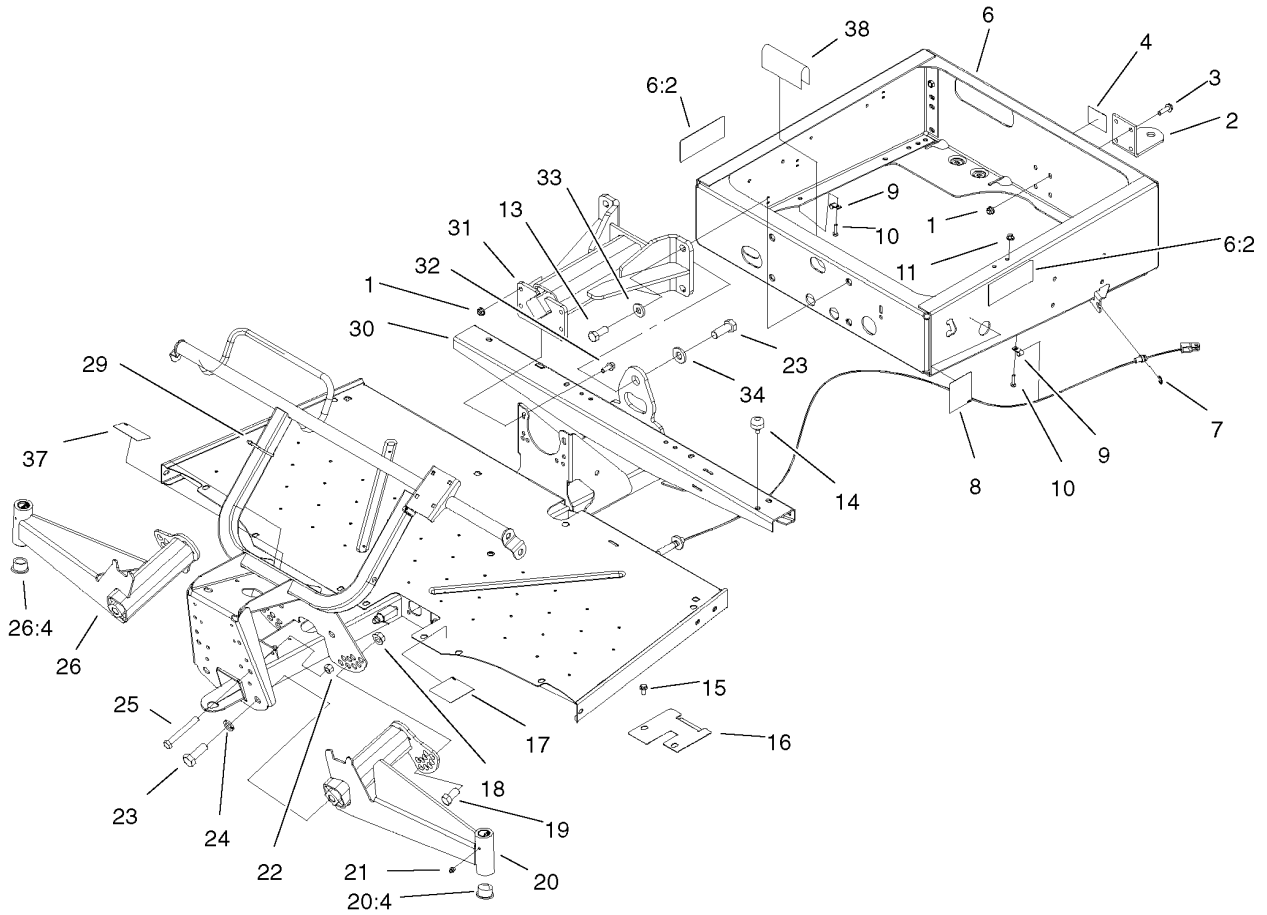
Ref	Part No.	Qty.	Description
1	99-7109	2	Cable-Brake
2	32120-47	2	Ring-Retaining, External
3	3219-3	1	Nut-Hex
4	99-7123	1	Nut-Equalizer
5	99-7093	1	Bracket-Brake, Adjustment
6	99-7060	1	Rod-Brake
7	3234-11	3	Screw-HHF
8	104-6752-03	1	Accelerator Pedal ASM
9	321-8	2	Screw-HH
10	104-6415	2	Spring-Return, Pedal
11	323-12	1	Screw-HH
12	99-7140	1	Spring-Torsion
13	104-6755-03	1	Brake Pedal ASM
14	52-2891	2	Bushing-Link, Steering
15	99-7963-03	1	Pedal-Park
16	104-8301	1	Nut-Flange, NI
17	3272-6	5	Pin-Cotter
18	104-6756	1	Rod
19	104-7179	2	Pivot-Pedal
20	12-3270	2	Screw
21	99-7218	1	Detent
22	256-155	4	Bushing-Flange
23	99-7214	1	Pawl-Brake
24	3234-33	2	Screw-HHF

Ref	Part No.	Qty.	Description
25	302-60	2	Fitting-Grease, 90 DEG
26	32149-2	2	Nut-Keps
27	99-7210-03	1	Base ASM
28	3269-28	2	Rivet-Pop
29	3256-51	2	Washer-Flat
31	99-7407	1	Switch
32	3256-46	1	Washer-Flat
33	3256-22	1	Washer-Flat
34	32148-9	1	Insert-Nut



Shifter Assembly

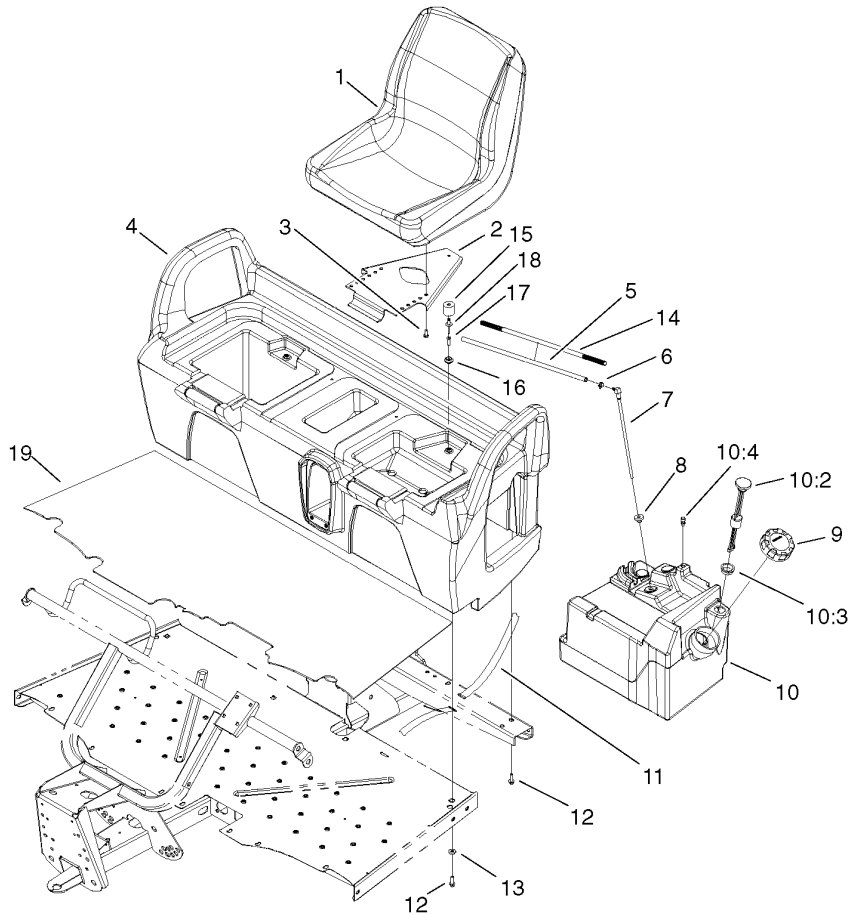
Ref	Part No.	Qty.	Description
1	99-7111	1	Cable-Choke
2	99-7887-03	1	Plate-Shifter
3	3272-5	2	Pin-Cotter
4	99-7981	1	Knob-Grip, Soft
5	99-7879	1	Lever-Shifter
6	104-8301	2	Nut-Flange, NI
7	99-7112	2	Cable-Shift
8	104-6415	1	Spring-Return, Pedal
9	99-7176	1	Detent
10	251-307	1	Bearing-Ball
11	3296-42	1	Nut-Lock, NI
12	32151-101	2	E-Ring
13	323-14	2	Screw-HH
14	104-6509-03	1	Bracket-Shift
15	88-9932	1	Switch-Micro
16	99-7952	1	Decal-Shifter
17	32105-15	4	Screw
18	12-3270	4	Screw
19	3290-354	1	Nut-Speed
20	3290-313	2	Screw-Ph
21	93-3240	1	Plunger-Seal



Frame Assembly

Ref	Part No.	Qty.	Description
1	104-8301	8	Nut-Flange, NI
2	99-7654-03	1	Hitch-Duty, Light
3	3234-24	4	Screw-HHF
4	99-7350	1	Decal-Information
6	99-7362	1	Rear Frame ASM
6:2	99-7345	2	Decal-Warning
7	32120-47	2	Ring-Retaining, External
8	99-7349	1	Decal-Information, Boxlatch
9	2412-89	5	Clamp
10	321-6	4	Screw-HH
11	32128-33	4	Nut-HF
13	327-4	4	Screw-HH
14	87-2440	1	Bumper-Rubber
15	3234-5	2	Screw-HHF
16	99-7275-03	1	Cover-Pedal
17	99-7346	1	Decal-Information, Brake
18	32128-54	2	Nut-HF
19	3214-2	2	Screw-HH
20	99-7685	1	LH A-Arm ASM
20:4	3-0348	2	Bushing
21	302-5	2	Fitting-Grease
22	3296-23	2	Nut-Lock, NI
23	328-24	5	Screw-HH
24	3254-7	4	Washer-Lock, Int

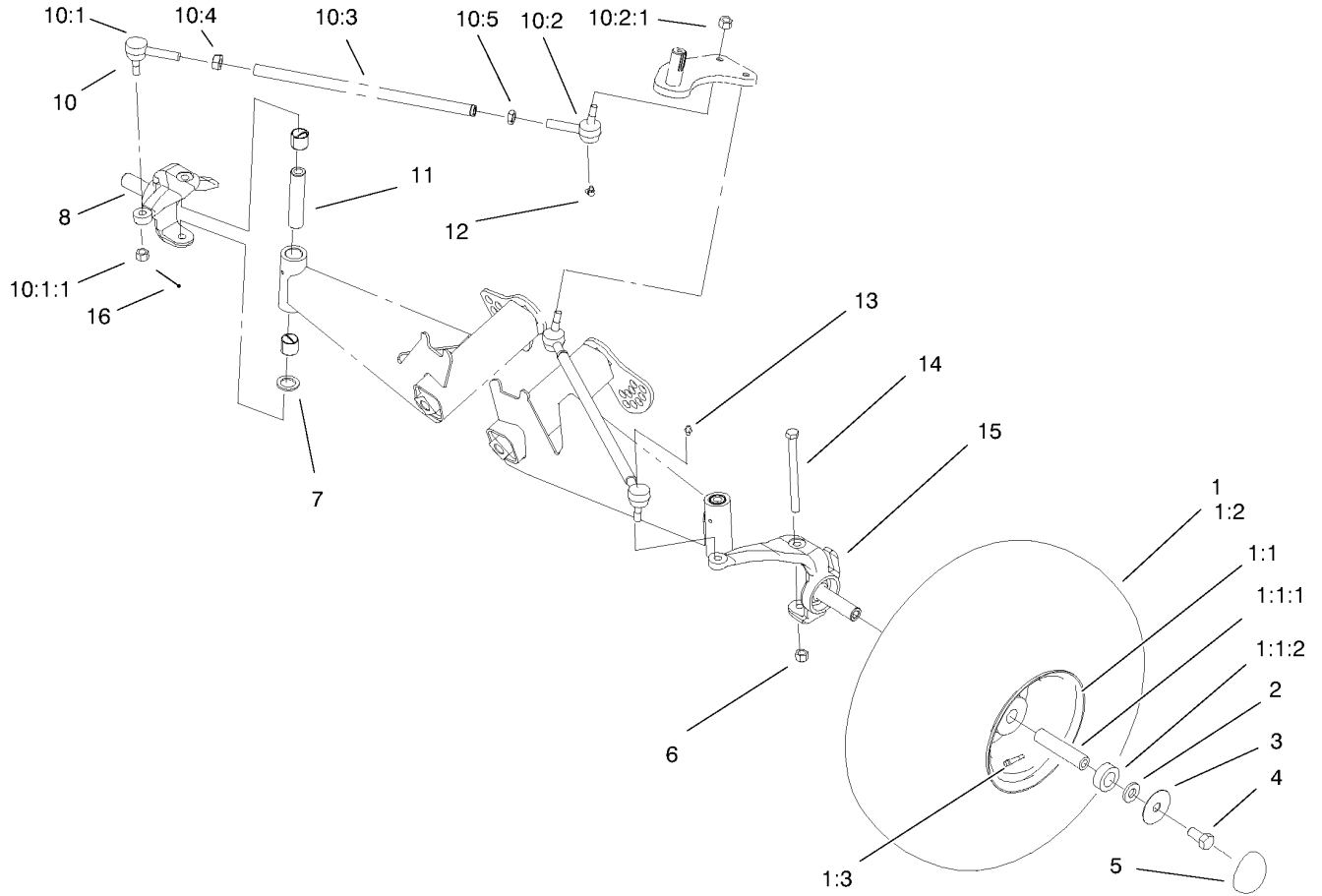
Ref	Part No.	Qty.	Description
25	325-17	2	Screw-HH
26	99-7684	1	RH A-Arm ASM
26:4	3-0348	2	Bushing
29	3290-379	27	Tie-Cable
30	99-7463-03	1	Frame-Front
31	99-7700	1	Pivot Yoke ASM
32	3234-11	4	Screw-HHF
33	99-7667	4	Washer-Flat
34	87-3060	1	Washer-Hardened
37	99-7348	1	Decal-Information, Capacity
38	95-5686	1	Trim



Seatbase Assembly

Ref	Part No.	Qty.	Description
1	99-7281	2	Seat
2	99-7829	2	Bracket-Seat
3	33114-016	8	Screw-HH
4	104-6401	1	Seat Base ASM
5	99-7187	1	Hose-Fuel
6	2412-98	1	Clamp
7	99-7264	1	Pipe-Stand
8	46-6560	1	Bushing
9	95-4192	1	Unleaded Gas Cap ASM
10	99-7323	1	Fuel Tank ASM
10:2	99-7262	1	Gauge-Fuel
10:3	95-8972	1	Grommet
10:4	99-7267	1	Vent-Air
11	3339-175	1	Strapping-Web, 48 Inch
12	3234-17	8	Screw-HHF
13	88-7200	4	Washer-Flat
14	99-7129	1	Conduit-Line, Fuel
15	99-7830	2	Rubber Receptical ASM
16	99-7833	2	Post-Holding
17	32108-5	2	Screw-FH
18	3290-412	2	Rivet
19	104-6897	1	Mat-Floor

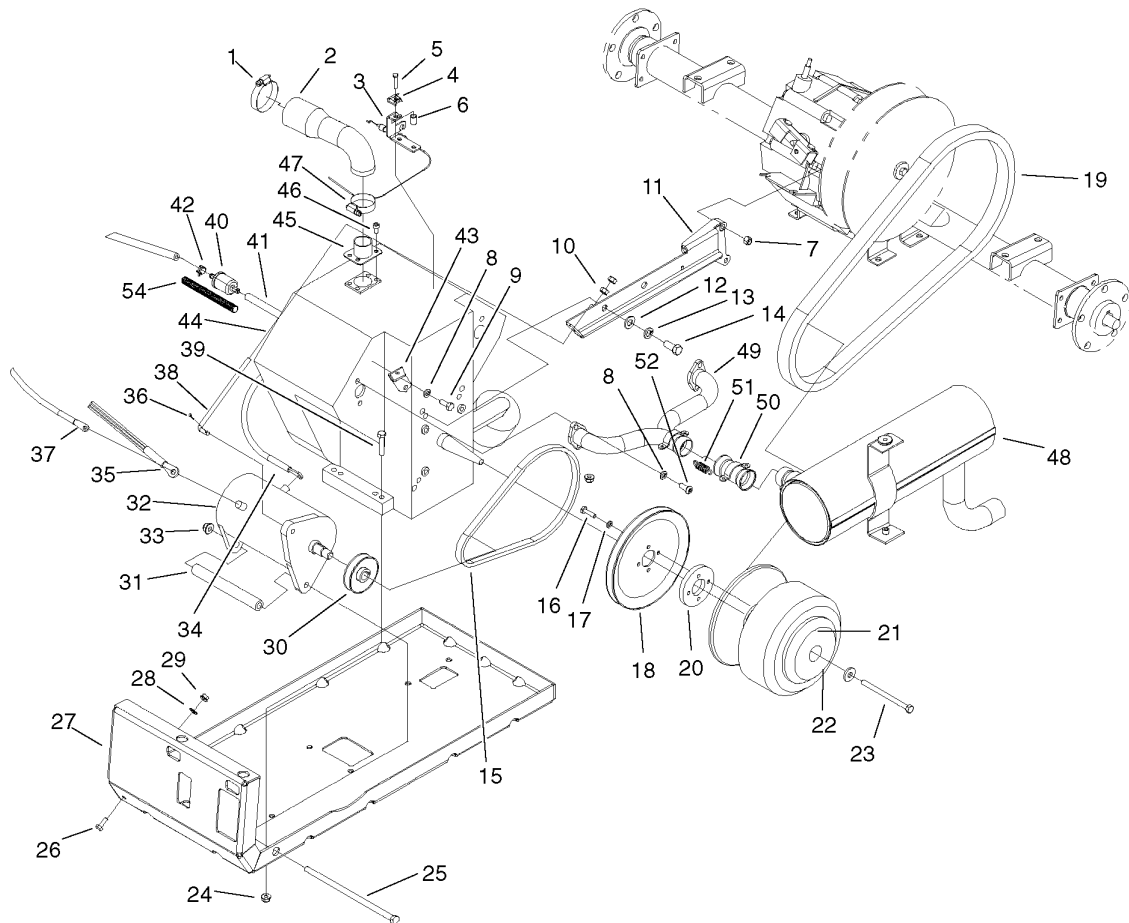
--	--	--	--



Front Tire and Steering Assembly

Ref	Part No.	Qty.	Description
1	99-7298	2	Wheel & Tire ASM
1:1	99-7303	1	Wheel ASM
1:1:1	104-1699	1	Spacer
1:1:2	104-1698	2	Bearing-Ball
1:2	99-7301	1	Tire
1:3	232-27	1	Stem-Valve
2	99-7667	2	Washer-Flat
3	99-7719	2	Washer
4	327-2	2	Screw-HH
5	94-7871	2	Cap-Dust
6	3296-23	2	Nut-Lock, NI
7	256-115	2	Washer-Thrust
8	99-7487-03	1	Spindle-RH
10		2	Rod-Tie
10:1	112772	1	Joint-Ball, RH
10:1:1	915031	1	Nut
10:2	112771	1	Joint-Ball, LH
10:2:1	915031	1	Nut
10:3	99-7600-03	1	Rod-Tie
10:4	3220-11	1	Nut-Jam
10:5	3218-21	1	Nut-Jam
11	99-7499	2	Sleeve-Kingpin
12	302-60	2	Fitting-Grease, 90 DEG
13	302-5	2	Fitting-Grease

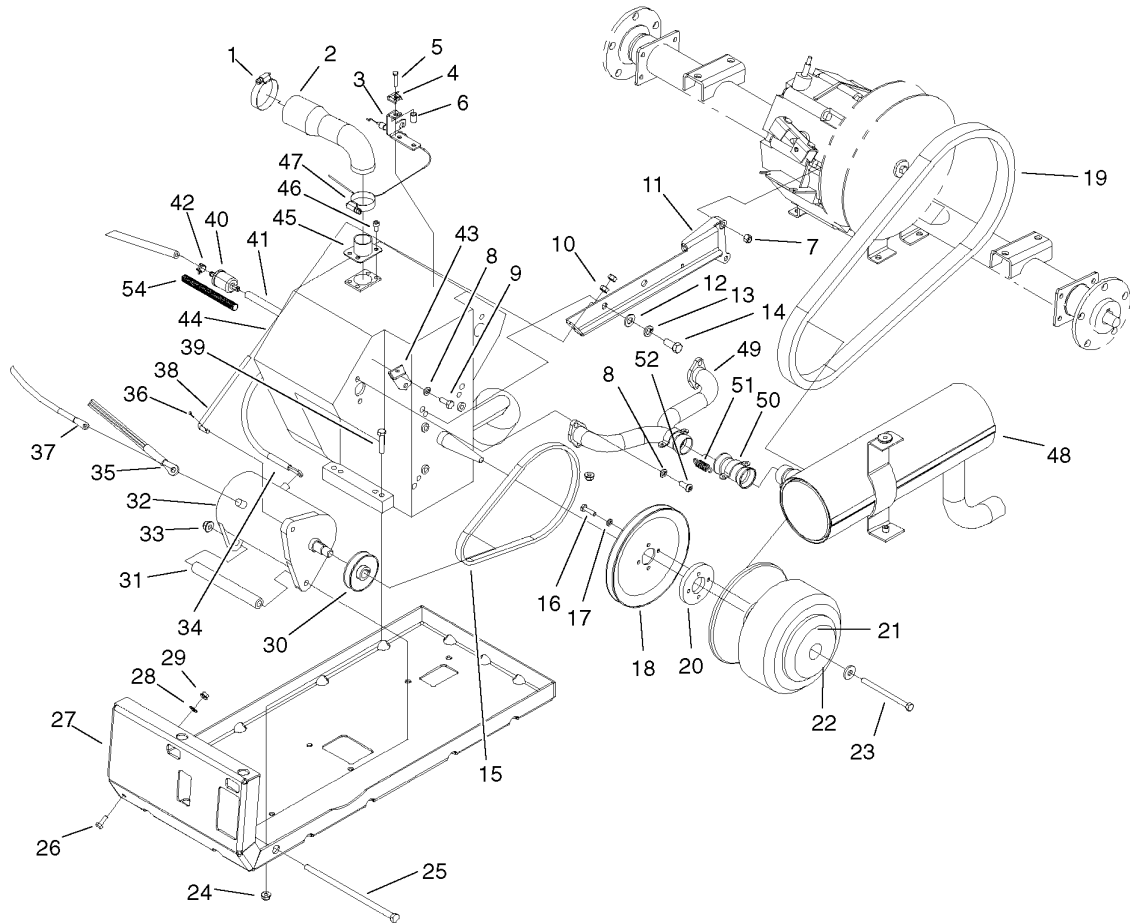
Ref	Part No.	Qty.	Description
14	325-20	2	Screw-HH
15	99-7486-03	1	Spindle-LH
16	3272-7	4	Pin-Cotter



Engine and Clutch Assembly

Ref	Part No.	Qty.	Description
1	2412-130	1	Clamp-Hose
2	99-7106	1	Hose-Intake
3	99-7097	1	Bracket-Cable
4	81-1690	1	Clamp-Cable
5	3290-432	1	Screw-HH
6	32148-14	1	Insert-Threaded
7	33024-00	2	Nut-Lock
8	3253-4	6	Washer-Lock
9	66-3160	2	Screw-Cap
10	3217-6	2	Nut-Hex
11	99-7127-03	1	Arm-Torque
12	3256-25	2	Washer-Flat
13	3253-6	2	Washer-Lock
14	324-4	2	Screw-HH
15	99-7133	1	V-Belt-Starter
16	321-6	4	Screw-HH
17	3253-3	4	Washer-Lock
18	99-7131	1	Pulley-Engine
19	99-7144	1	Belt-Drive
20	99-7064	1	Spacer-Starter
21	99-7145	1	Clutch-Drive
22	5-0838	1	Washer
23	99-7201	1	Screw-HH
24	104-8300	5	Nut-Flange, NI

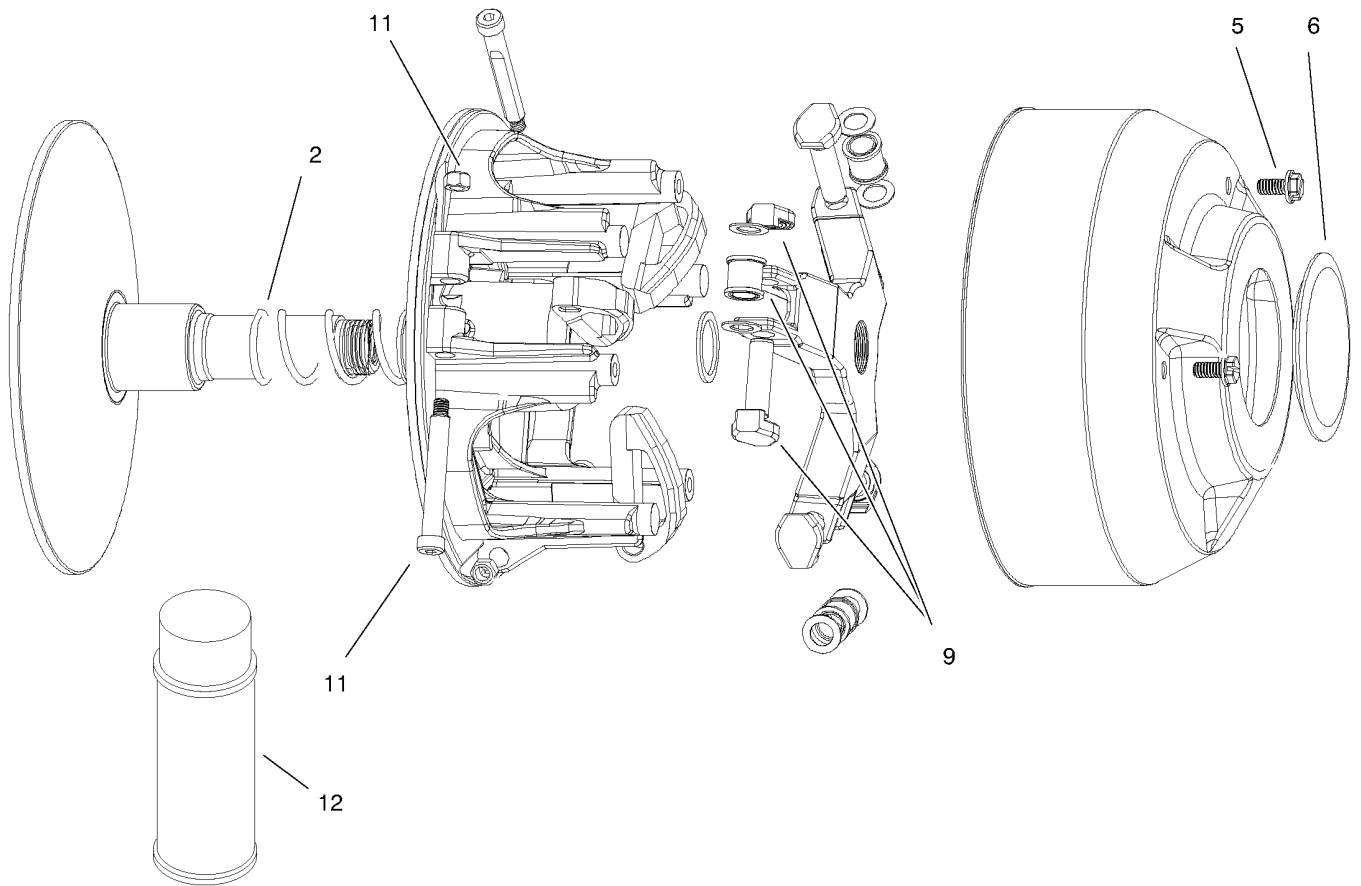
Ref	Part No.	Qty.	Description
25	99-7203	1	Screw
26	321-4	1	Screw-HH
27	104-6433-03	1	Mount-Engine
28	3255-8	1	Washer-Lock
29	32128-32	1	Nut-HHF
30	99-7130	1	Pulley-Starter
31	99-7053	1	Pivot-Starter
32	99-7108	1	Generator-Starter
33	104-8301	1	Nut-Flange, NI
34	99-7403	1	Cable-Negative
35	99-7437	1	Harness-Wire, Engine
36	3272-5	1	Pin-Cotter
37	104-6926	1	Cable-Positive
38	99-7185	1	Rod-Starter
39	322-8	4	Screw-HH
40	94-2690	1	Filter-Fuel
41	47-2966	1	Hose-Fuel
42	2412-98	3	Clamp
43	99-7119	1	Bracket-Tie, Cable
44	104-6466	1	Engine-16Hp, Briggs & Str
45	99-7083	1	Bracket-Intake
46	99-7202	4	Screw
47	2412-3	1	Clamp-Hose
48	104-6475	1	Muffler-Engine



Engine and Clutch Assembly (continued)

Ref	Part No.	Qty.	Description
49	104-6476	1	Manifold-Engine
50	104-6477	1	Coupler-Exhaust
51	104-6478	4	Spring-Coupler, Exhaust
52	3274-96	4	Screw
54	99-7377	1	Conduit-Line, Fuel

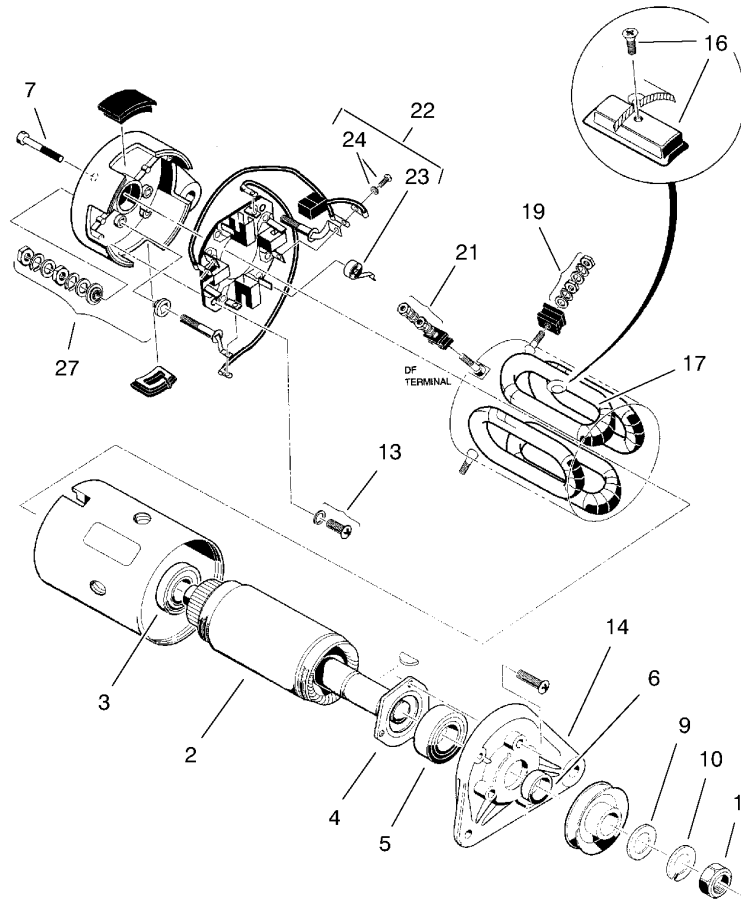
--	--	--	--



Clutch Assembly No. 99-7145

Ref	Part No.	Qty.	Description
2	104-1686	1	Spring
5	3234-26	3	Screw
6	104-1690	1	Cap
9	104-1697	1	Spider Roller Kit
10	104-1696	1	Arm-Cam
11	104-4257	1	Button Kit
12	104-7011	1	Lubricant-Dry

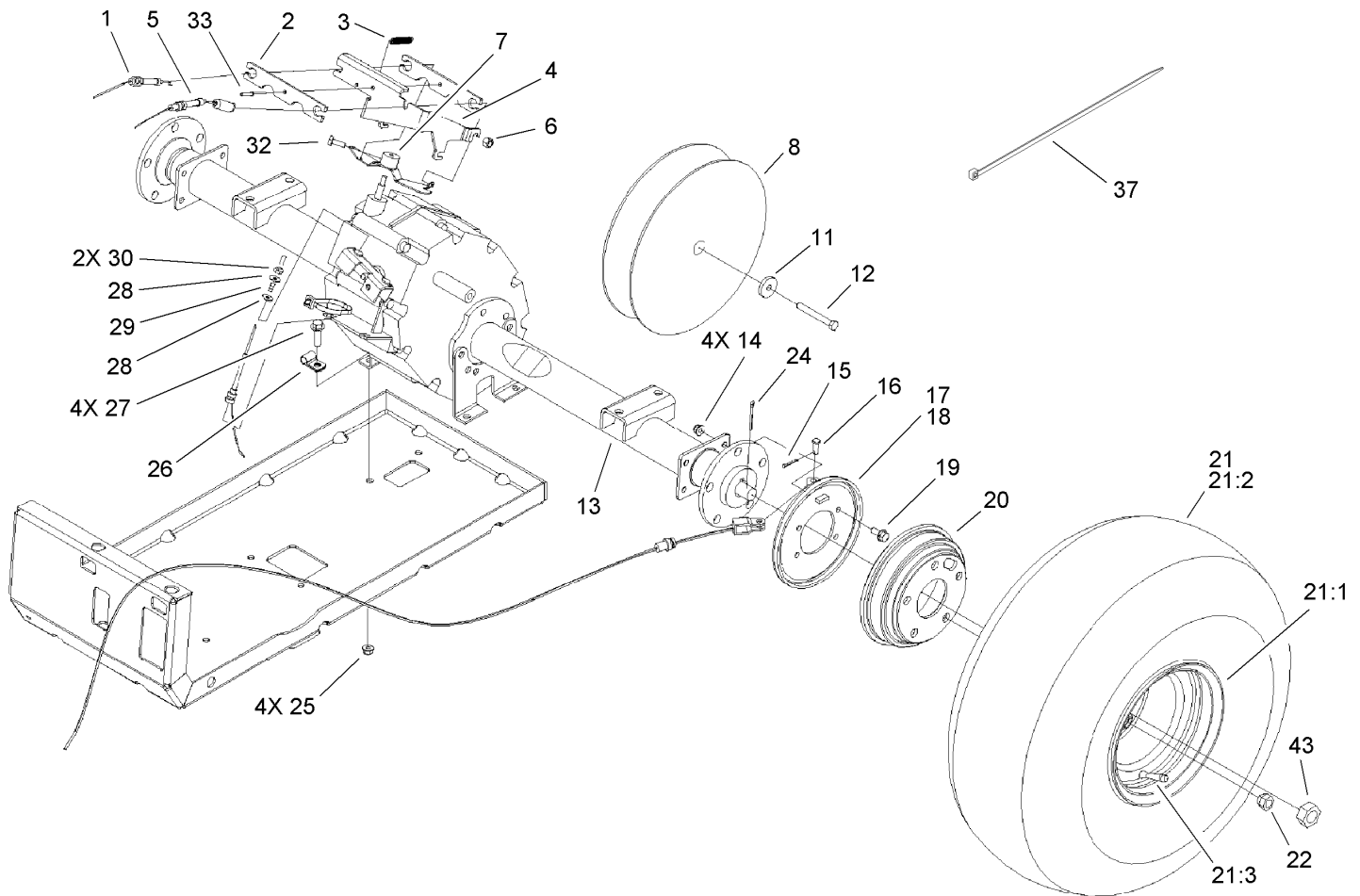
Ref	Part No.	Qty.	Description



Starter Generator Assembly No. 99-7108

Ref	Part No.	Qty.	Description
2	104-1210	1	Armature Kit
3	104-1211	1	Bearing-Ball, Rear
4	104-1212	1	Retainer
5	104-1213	1	Bearing-Ball, Front
6	104-1214	1	Spacer
7	104-1215	2	Bolt
9	104-1216	1	Washer-Plain
10	104-1217	1	Washer-Spring
11	104-1218	1	Nut-Hex
13	104-1219	2	Set-Screw
14	104-1220	1	Bracket-Front
16	104-1221	1	Set-Pole And Screw
17	104-1222	1	Field Stator Coil ASM
19	104-1223	2	Set-Screw
21	104-1224	1	Set-Screw
22	104-1225	1	Brush Holder Kit
23	104-1226	4	Spring-Brush
24	104-1227	1	Brush And Screw Set
27	104-1228	2	Screw And Mold ASM

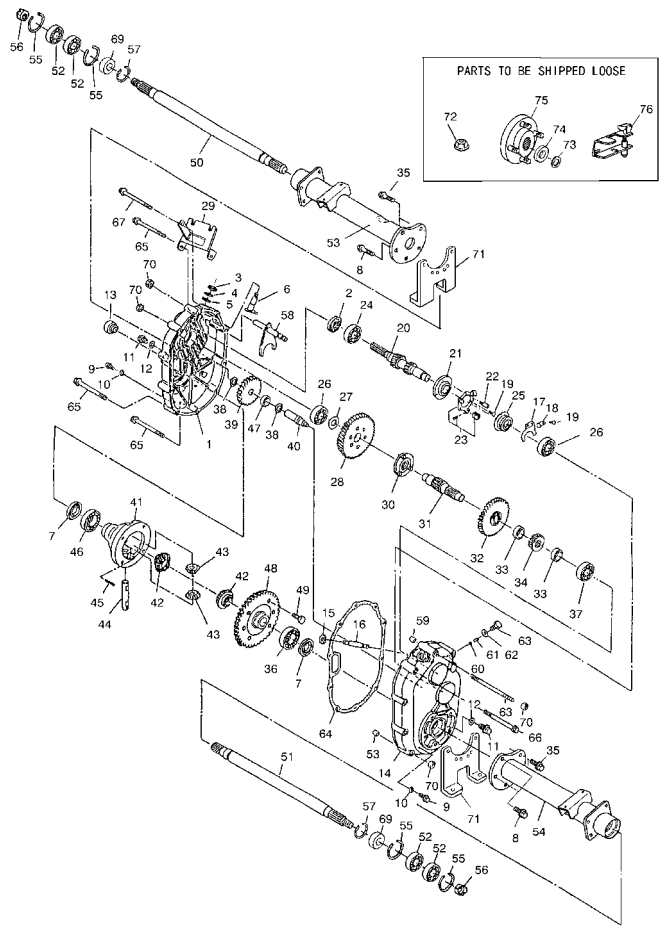
--	--	--	--



Rear Tire and Transaxle Assembly

Ref	Part No.	Qty.	Description
1	99-7113	1	Cable-Governor
2	99-7121	2	Bracket-Tamper
3	99-7078	1	Spring-Governor
4	99-7054	1	Bracket-Cables
5	99-7110	1	Cable-Throttle
6	33024-00	3	Nut-Lock
7	104-6569	1	Bracket-Governor
8	99-7104	1	Clutch-Driven
11	104-6550	1	Washer-Clutch
12	322-33	1	Screw-HH
13	104-6898	1	Transaxle
14	104-8300	8	Nut-Flange, NI
15	3272-10	2	Pin-Cotter
16	283-62	2	Pin-Clevis
17	99-7136	1	Brake-RH
18	99-7137	1	Brake-LH
19	3234-5	10	Screw-HHF
20	104-6500	2	Drum-Brake
21	99-7297	2	Wheel And Tire ASM
21:1	98-4753	1	Wheel
21:2	99-7301	1	Tire
21:3	232-27	1	Stem-Valve
22	242-50	10	Nut-Lug
24	3272-12	2	Pin-Cotter

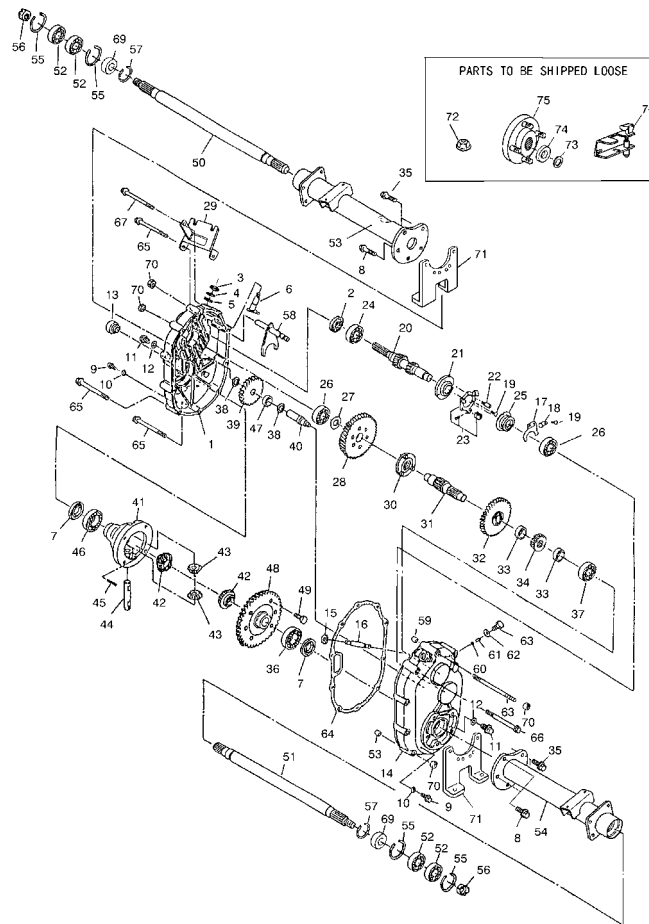
Ref	Part No.	Qty.	Description
25	104-8301	4	Nut-Flange, NI
26	2412-10	1	R-Clamp
27	3234-24	4	Screw-HHF
28	3256-49	4	Washer-Flat (Only On: 38053)
29	73-3450	2	Spring
30	3296-2	2	Nut-Lock
32	3241-6	2	Screw-SQH
33	99-7122	1	Rivet-Annodized
37	3290-378	1	Tie-Cable
43	104-1656	2	Nut-Castle



Transaxle Assembly No. 104-6898

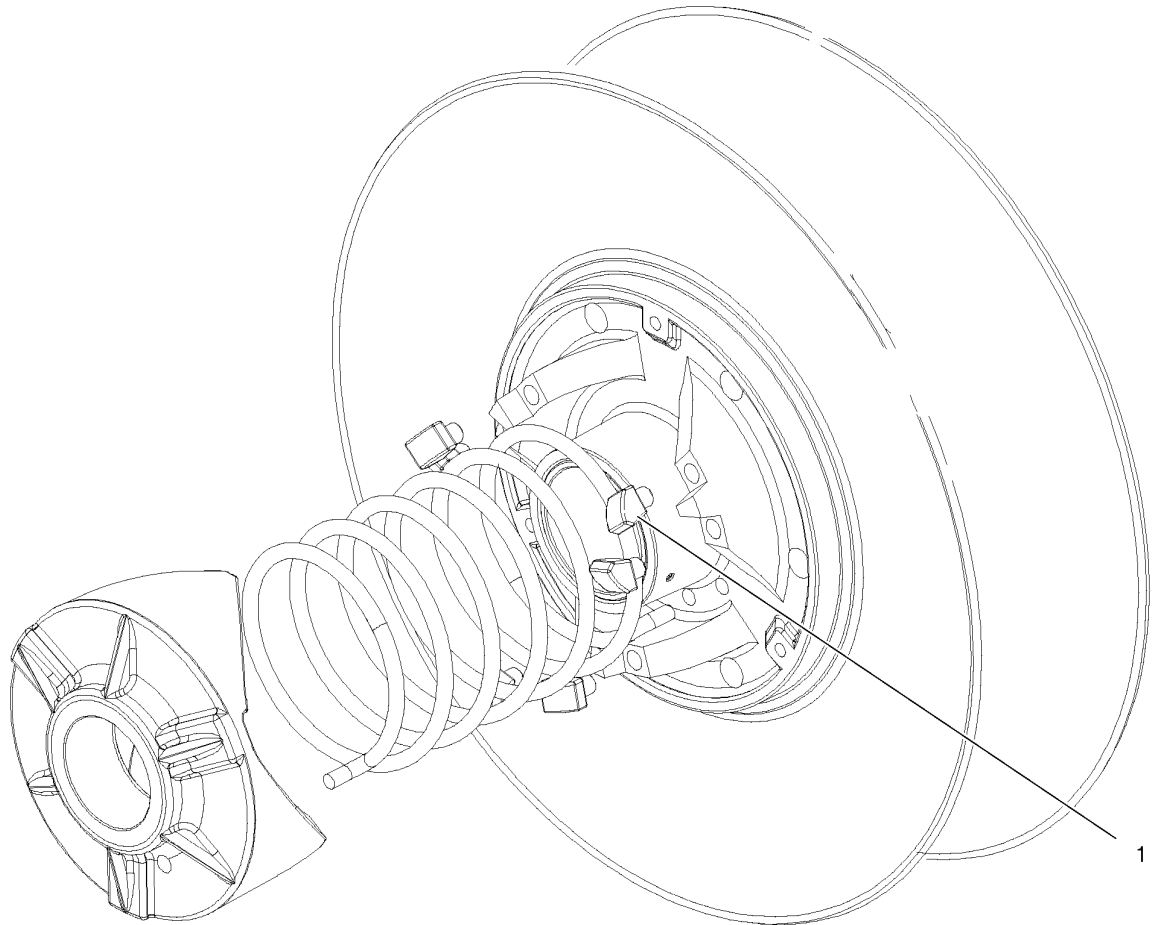
Ref	Part No.	Qty.	Description
1	104-1601	1	Case-LH, Complete
2	104-1602	1	Seal-Oil
3	104-1603	1	Seal-Oil
4	104-1604	1	Ring-Snap
5	104-1605	1	Spacer
6	104-1606	1	Shaft-Selector
7	104-1607	2	Seal-Oil
8	104-1608	4	Bolt-Flange
9	104-1609	2	Plug-Check, Oil
10	104-1610	2	Gasket
11	104-1611	2	Plug-Drain, Oil
12	104-1612	2	Gasket
13	104-1613	1	Plug-Filler, Oil
14	104-1614	1	Case-Complete, RH
15	104-1615	1	Seal-Oil
16	104-1616	1	Shaft-Governor
17	104-1617	1	Fork-Governor
18	104-1618	1	Stopper
19	104-1619	4	Screw And Washer ASM
20	104-1620	1	Shaft-Input, Complete
21	104-1621	1	Base-Governor
22	104-1622	1	Pin-Lock
23	104-1623	1	Unit-Plate, Governor
24	104-1624	1	Bearing-Ball

Ref	Part No.	Qty.	Description
25	104-1625	1	Sleeve-Governor
26	104-1626	2	Bearing-Ball
27	104-1627	1	Spacer
28	104-1628	1	Gear
29	104-1629	1	Bracket-Wire, Change
30	104-1630	1	Clutch-Pin
31	104-1631	1	Shaft-Center
32	104-1632	1	Gear-47
33	104-1633	2	Collar
34	104-1634	1	Gear
35	104-1635	6	Bolt-Flange
36	104-1636	1	Bearing-Ball
37	104-1637	1	Bearing-Ball
38	104-1638	2	Spacer
39	104-1639	1	Gear-34
40	104-1640	1	Shaft-Counter
41	104-1641	1	Case-Differential
42	104-1642	2	Gear-Side, Differential
43	104-1643	2	Pinion-Differential
44	104-1644	1	Shaft-Differential
45	104-1645	1	Pin
46	104-1646	1	Bearing-Ball
47	104-1647	1	Bearing-Needle
48	104-1648	1	Gear-62



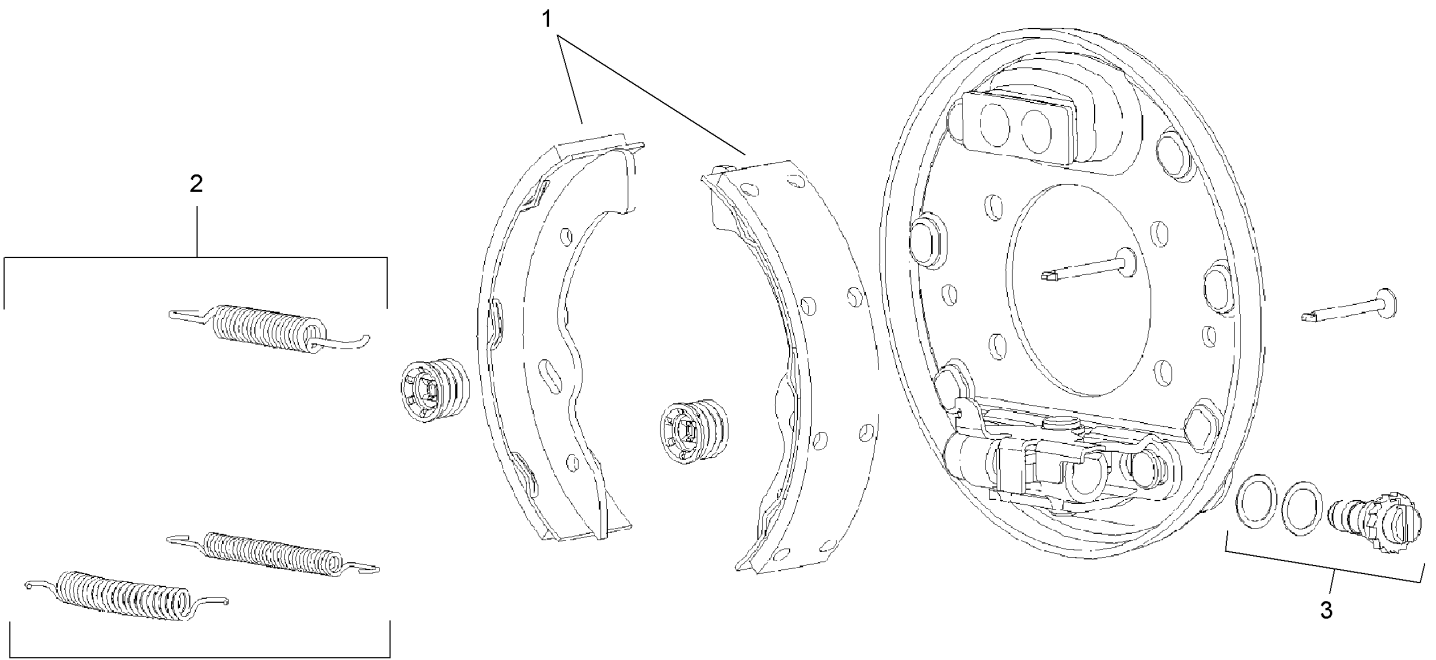
Transaxle Assembly No. 104-6898 (continued)

Ref	Part No.	Qty.	Description	Ref	Part No.	Qty.	Description
49	104-1649	6	Bolt	73	104-1673	2	Washer-Spring
50	104-1650	1	Shaft-Axle, LH	74	104-1674	2	Washer
51	104-1651	1	Shaft-Axle, RH	75	104-1675	2	Hub
52	104-1652	4	Bearing-Ball	76	104-1676	1	Select Lever ASM
53	104-1653	1	Case-Axle, LH				
54	104-1654	1	Case-Axle, RH				
55	104-1655	4	Ring-Snap				
56	104-1656	2	Nut-Castle				
57	104-1657	2	Ring-Snap				
58	104-1658	1	Shaft-Shift				
59	104-1659	2	Knock-Pipe				
60	104-1660	1	Ball-Steel				
61	104-1661	1	Spring				
62	104-1662	1	Gasket				
63	104-1663	1	Bolt				
64	104-1664	1	Gasket				
65	104-1665	7	Bolt-Flange				
66	104-1666	1	Bolt-Flange				
67	104-1667	1	Bolt-Flange				
68	104-1668	1	Bolt				
69	104-1669	2	Collar				
70	104-1670	11	Nut-Flange				
71	104-1671	2	Bracket-Axle				
72	104-1672	1	Nut-Lock				



Clutch Assembly No. 99-7104

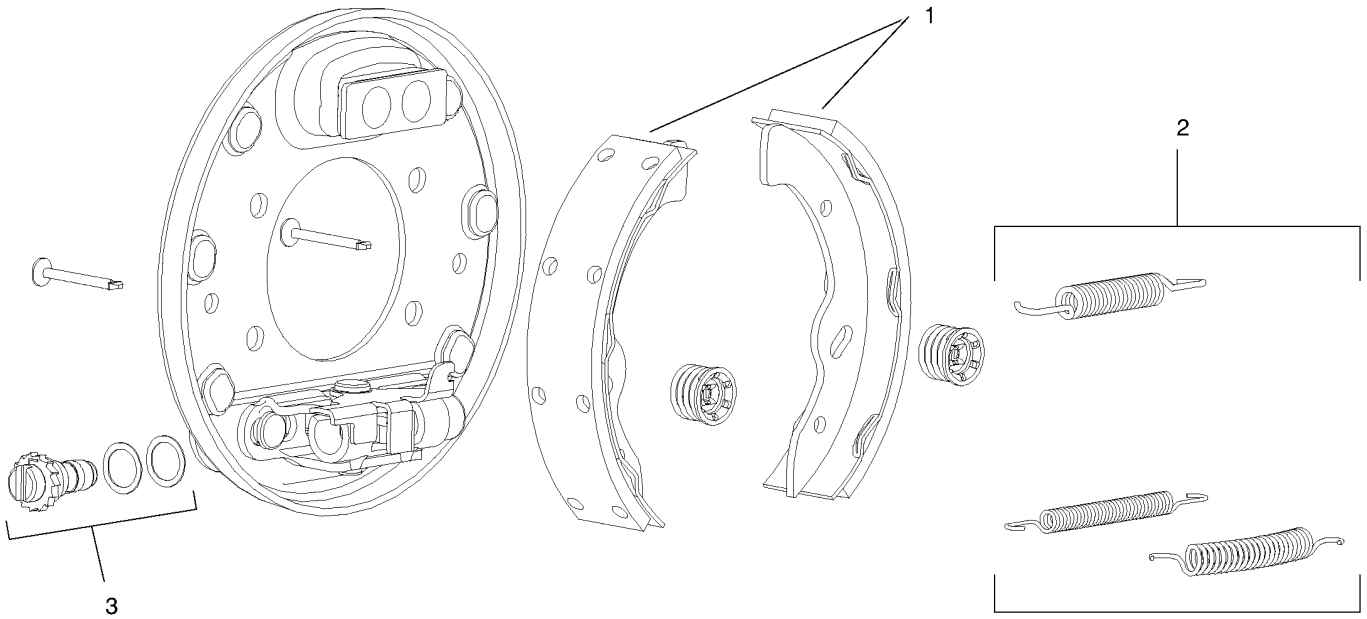
Ref	Part No.	Qty.	Description				
1	104-4256	6	Pivot Bolt And Nut Kit				



Right Hand Brake Assembly No. 99-7136

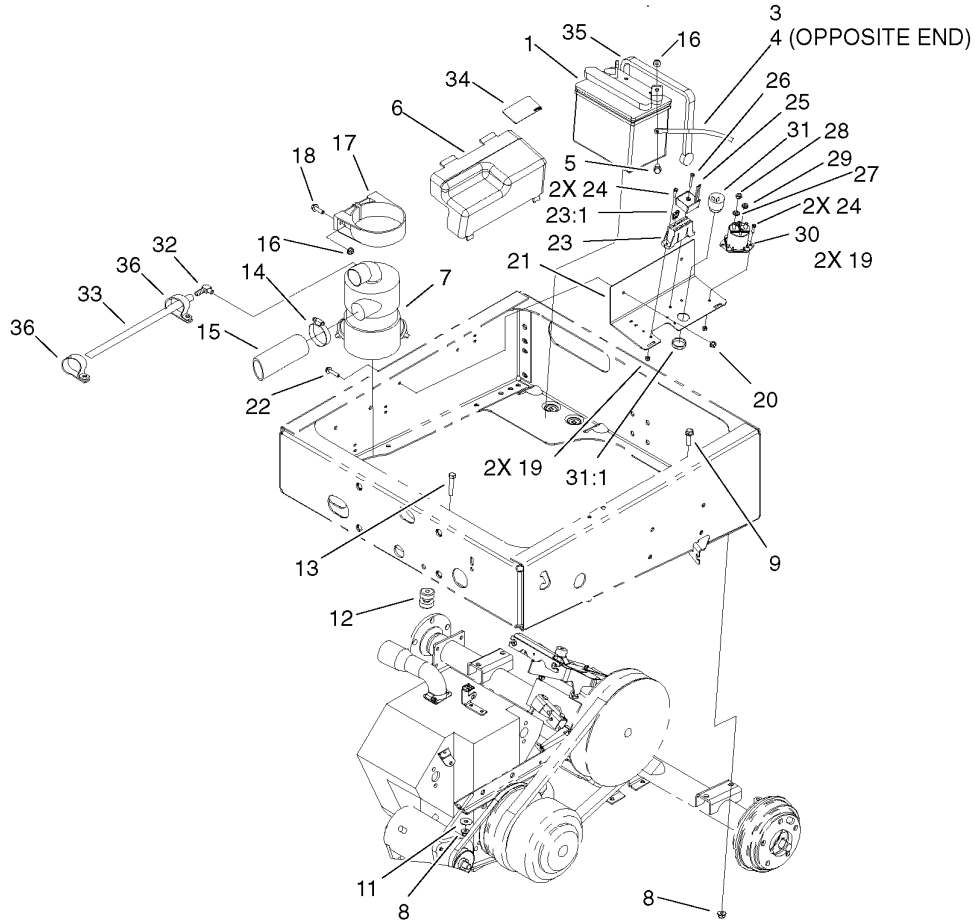
Ref	Part No.	Qty.	Description
1	104-1243	1	Shoe And Lining Kit
2	104-1244	1	Spring Kit
3	104-1246	1	RH Adjuster Kit

--	--	--	--



Left Hand Brake Assembly No. 99-7137

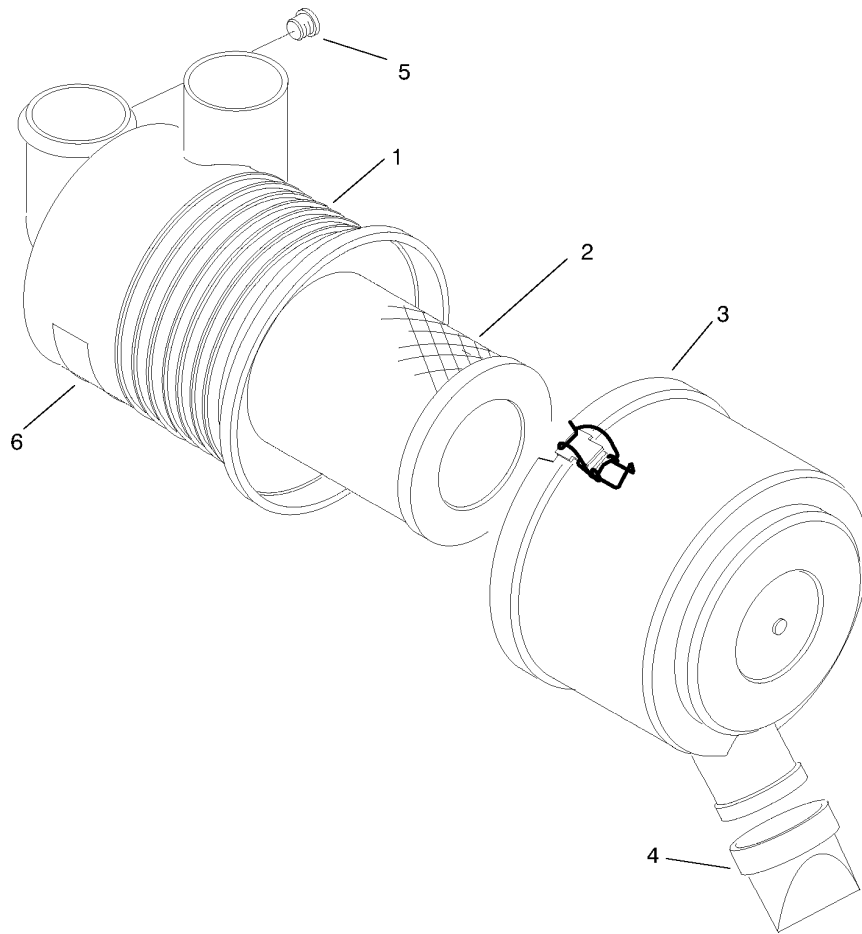
Ref	Part No.	Qty.	Description
1	104-1243	1	Shoe And Lining Kit
2	104-1244	1	Spring Kit
3	104-1245	1	LH Adjuster Kit



Drivetrain Mount Assembly

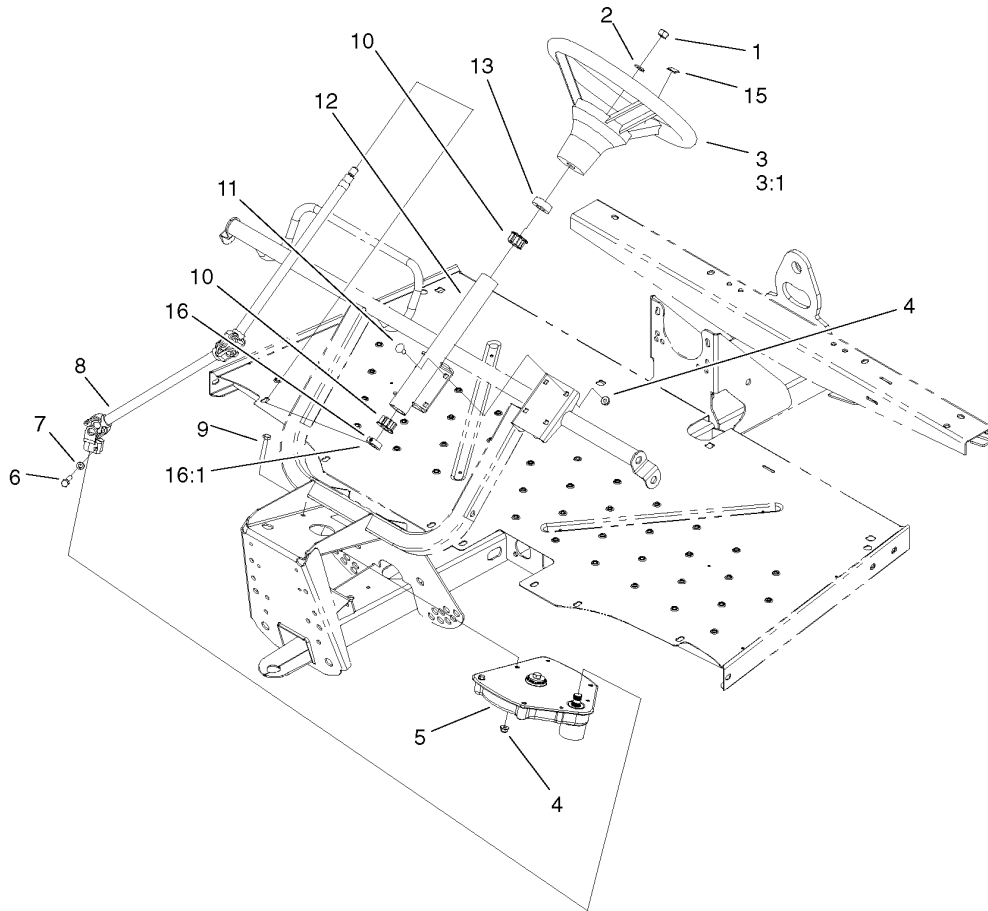
Ref	Part No.	Qty.	Description
1	99-7421	1	Battery (Wet)(Only On: 07253)
1	92-1678	1	Battery (Dry)(Only On: 07253Tc)
3	99-7415	1	Cable-Negative
4	99-7404	1	Cable-Positive
5	3234-5	2	Screw-HHF
6	99-7325	1	Cover-Electrical
7	99-7120	1	Filter-Air
8	104-8301	6	Nut-Flange, NI
9	3234-24	4	Screw-HHF
11	3256-35	2	Washer-Flat
12	95-2596	2	Mount-Iso
13	323-10	2	Screw-HH
14	2412-130	1	Clamp-Hose
15	104-6528	1	Hose-Intake
16	104-8300	4	Nut-Flange, NI
17	95-5806	1	Bracket-Mounting
18	3234-17	2	Screw-HHF
19	3296-2	5	Nut-Lock
20	32128-32	2	Nut-HHF
21	99-7051-03	1	Mount-Component
22	3234-21	2	Screw-Cap
23	99-7436	1	Harness-Wire, Main
23:1	218-578	3	Fuse-10 Amp
23:2	100-4918	1	Diode

Ref	Part No.	Qty.	Description
24	32105-13	4	Screw-SHH
25	104-6927	1	Regulator
26	32105-1	1	Screw-SHH
27	3255-8	2	Washer-Lock
28	3218-2	2	Nut-Jam
29	32149-8	2	Nut-Keps
30	99-7406	1	Solenoid
31	80-9330	1	Alarm-Audio
31:1	104-5107	1	Nut-Plastic, Knurled
32	99-7230	1	Fitting-90 DEG
33	99-7229	1	Hose-Breather
34	99-7352	1	Decal-Information
35	99-7197	1	Strap-Epdm
36	2412-36	2	Clamp-Hose



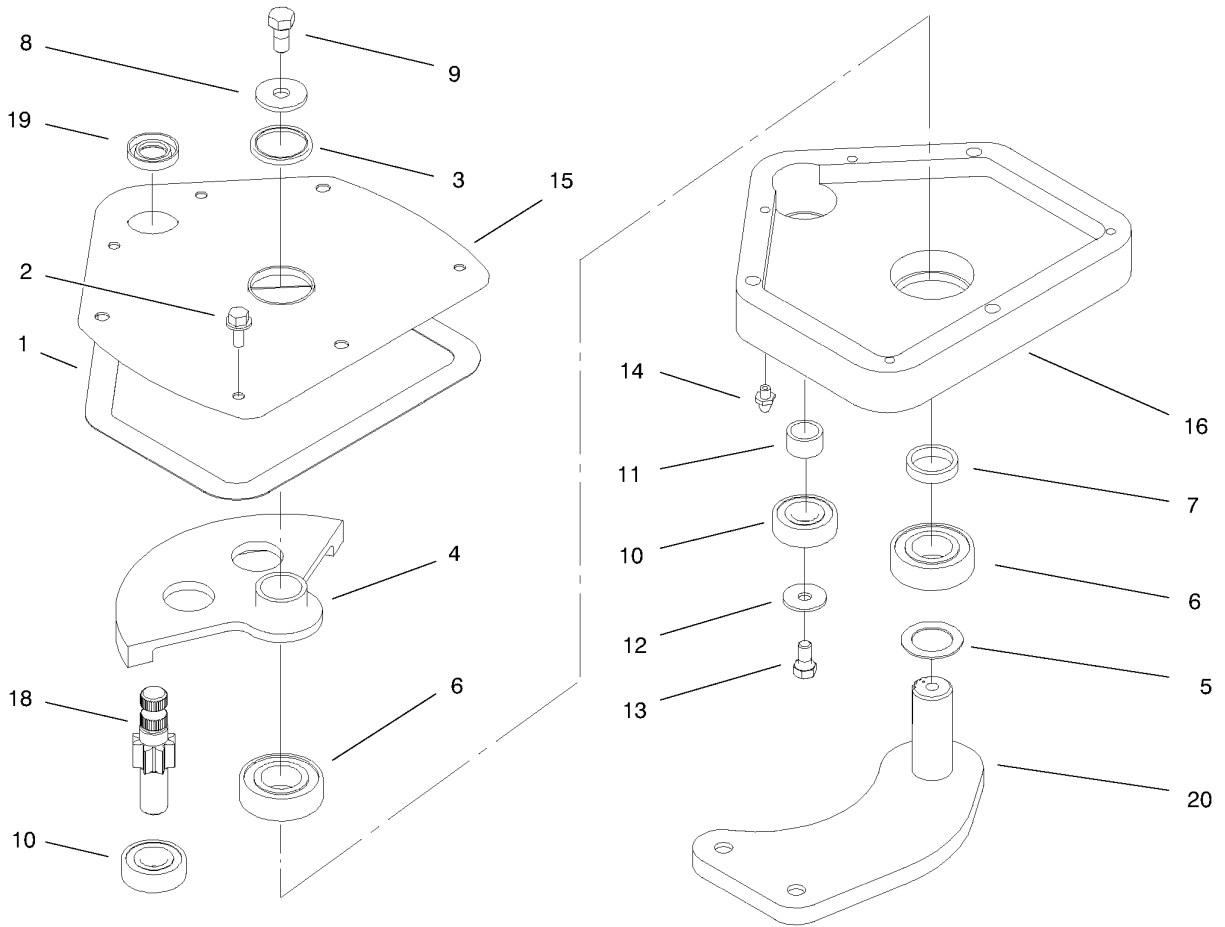
Air Cleaner Assembly No. 99-7120

Ref	Part No.	Qty.	Description	
①		1	Body	
2	93-2195	1	Filter	
3	94-3652	1	Cover ASM	
4	87-9400	1	Valve-Vacuator	
⑤		1	Plug	
⑥		1	Marking	



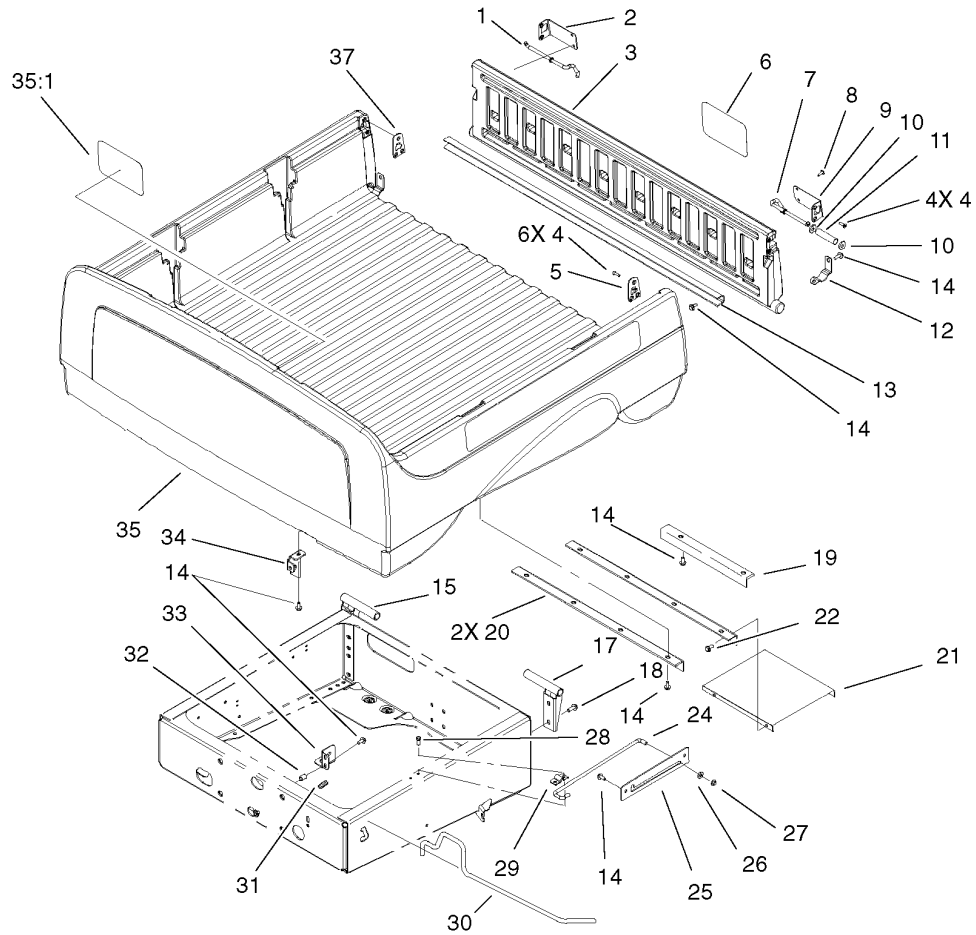
Upper Steering Assembly

Ref	Part No.	Qty.	Description				
1	3277-1	1	Nut-Hex				
2	48-8070	1	Washer-Lock				
3	98-1471	1	Wheel-Steering				
3:1	98-1468	1	Cover-Wheel, Steering				
4	104-8300	7	Nut-Flange, NI				
5		1	Steering Gearbox ASM				
6	48-7730	1	Screw-HH				
7	3253-4	1	Washer-Lock				
8	99-7653	1	Shaft-Steering				
9	322-10	3	Screw-HH				
10	93-1146	2	Bushing-Upper, Steering				
11	3230-1	4	Bolt-CARR				
12	99-7651-03	1	Column-Steering				
13	21-9260	1	Cover-Dust				
15	98-1459	1	Decal				
16	111383	1	Collar				
16:1	3245-32	1	Screw-HSH				



Steering Gearbox Assembly

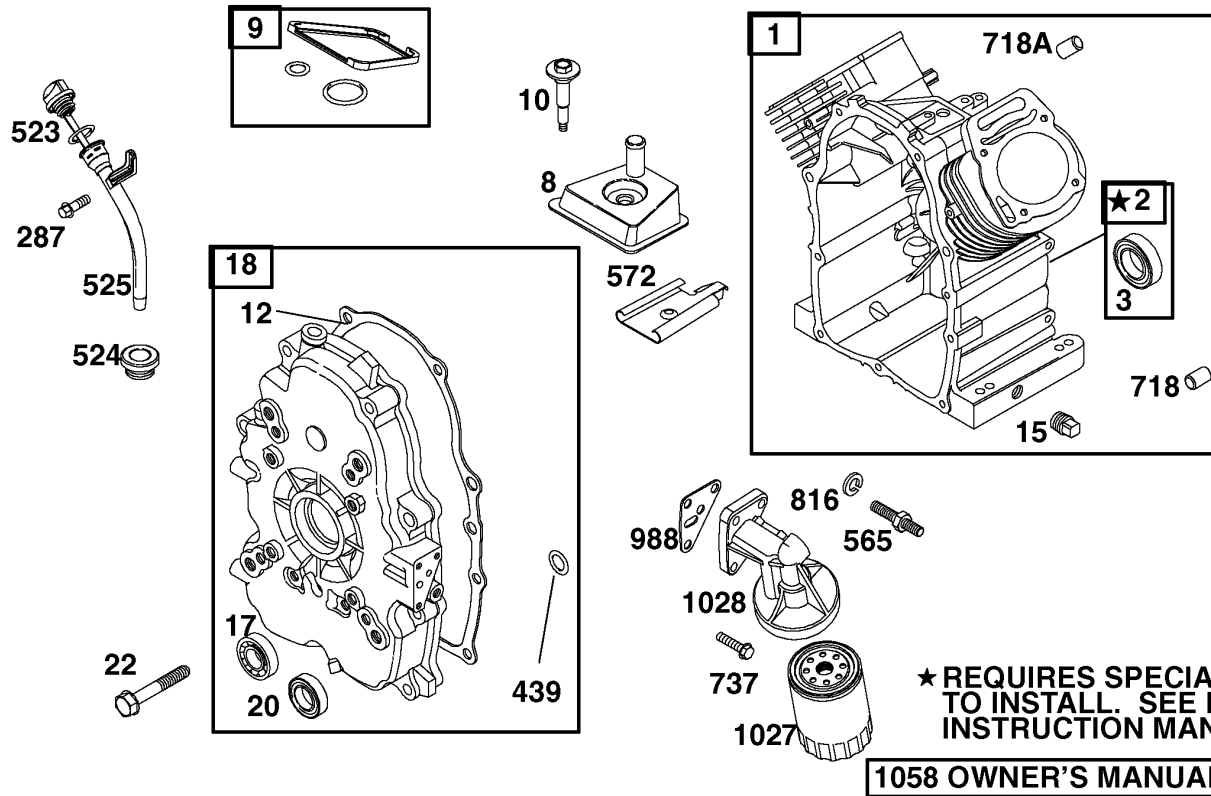
Ref	Part No.	Qty.	Description
1	94-2135	1	Gasket
2	32144-10	4	Screw-HWH
3	103118	1	Seal
4	99-7843	1	Sector-Gear
5	3256-42	1	Washer-Flat
6	251-82	2	Bearing-Ball
7	94-2218	1	Spacer-Shaft, Output
8	104-6563	1	Washer-Stepped
9	104-7156	1	Screw-HHF
10	38-7820	2	Bearing-Ball
11	94-2217	1	Spacer-Shaft, Input
12	1-613235	1	Washer
13	98-3498	1	Screw-HH
14	302-5	1	Fitting-Grease
15	99-7656-03	1	Cover-Housing, Steering
16	99-7658	1	Housing-Steering
18	99-7650	1	Gear-Pinion
19	99-7657	1	Seal-Oil
20	99-7601-03	1	Arm-Pitman



Box and Tailgate Assembly

Ref	Part No.	Qty.	Description
1	99-7256	1	Rod-Right, Tailgate
2	99-7283	1	Bracket-Right, Tailgate Latch
3	99-7289	1	Tailgate ASM
4	99-7334	10	Screw
5	99-7284	1	Plate-Left, Striker
6	99-7337	1	Decal-Tailgate, Toro
7	99-7255	1	Rod-Left, Tailgate
8	99-7335	4	Screw
9	99-7282	1	Bracket-Left, Tailgate Latch
10	99-7265	4	Washer - Latch
11	61-8880	2	Spring
12	99-7286	2	Bracket-Pivot, Tailgate
13	99-7266-03	1	Channel-Tailgate
14	3234-5	20	Screw-HHF
15	99-7309-03	1	RH Pivot Bracket ASM
17	99-7308-03	1	LH Pivot Bracket ASM
18	3234-11	4	Screw-HHF
19	99-7333-03	1	Brace-Box, Short
20	99-7332-03	2	Brace-Box, Long
21	99-7269	1	Shield - Heat
22	12-3270	4	Screw
24	99-7253	1	Rod, Prop
25	99-7288	1	Bracket-Prop Rod
26	3256-4	1	Washer-Flat

Ref	Part No.	Qty.	Description
27	3290-320	1	Retainer-Push On
28	32104-32	2	Screw-HWH
29	99-7287	1	Clip-Prop Rod
30	99-7745	1	Rod-Latch
31	5-7290	1	Spring-Tension
32	32148-7	2	Nut-Insert
33	99-7744-03	1	Bracket-Latch
34	99-7742-03	1	Hook-Latch, RH
35	99-7250	1	Box ASM
35:6	99-7358	1	Decal-Warning
37	99-7285	1	Plate-Right, Striker
39	3234-14	6	Screw-HHF

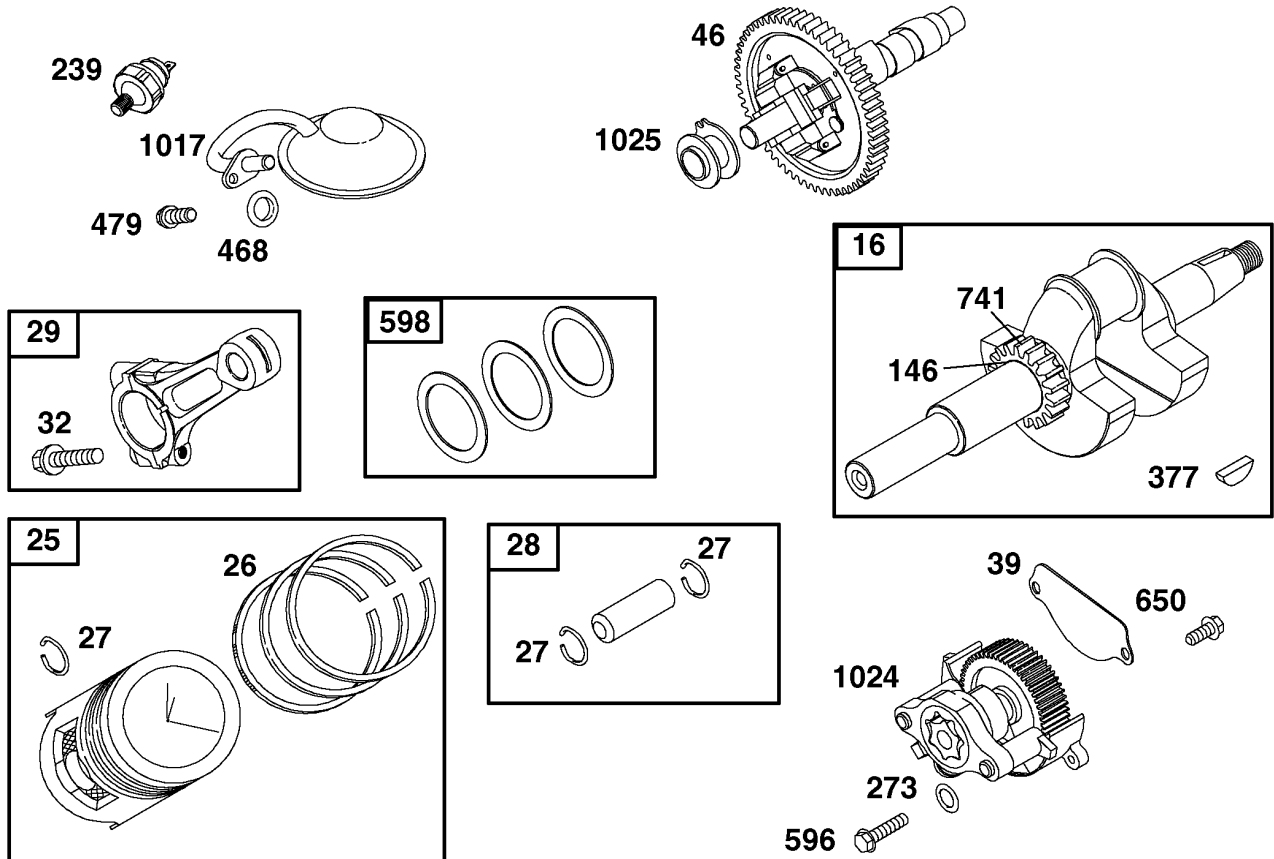


Assemblies include all parts shown in frames.

Cylinder Assembly Briggs and Stratton Model 303440-1409-E1

Ref	Part No.	Qty.	Description
1	692178	1	Cylinder ASM
2	808534	1	Bushing / Seal Kit
3	805101	1	Seal-Oil
8	807795	1	Breather Assembly
9	807893	1	Breather Gasket
10	690751	1	Screw
12	691684	1	Gasket-Crankcase
15	690946	1	Plug-Drain, Oil
17	690752	1	Bearing-Ball
18	808508	1	Crankcase Cover
20	805049	1	Seal-Oil
22	692540	1	Screw
287	692062	1	Screw
439	692154	1	Seal-O Ring
523	693175	1	Dipstick
524	693172	1	Seal-Tube, Dipstick
525	693174	1	Tube-Dipstick
565	690682	1	Stud
572	690686	1	Baffle-Breather
718	690684	1	Pin-Locating
737	690679	1	Screw
816	690706	1	Washer
988	692063	1	Gasket-Adapter, Oil Filter
1027	492932	1	Filter-Oil

Ref	Part No.	Qty.	Description
1028	808235	1	Adapter-Filter, Oil
1058	274272	1	Manual-Owner's

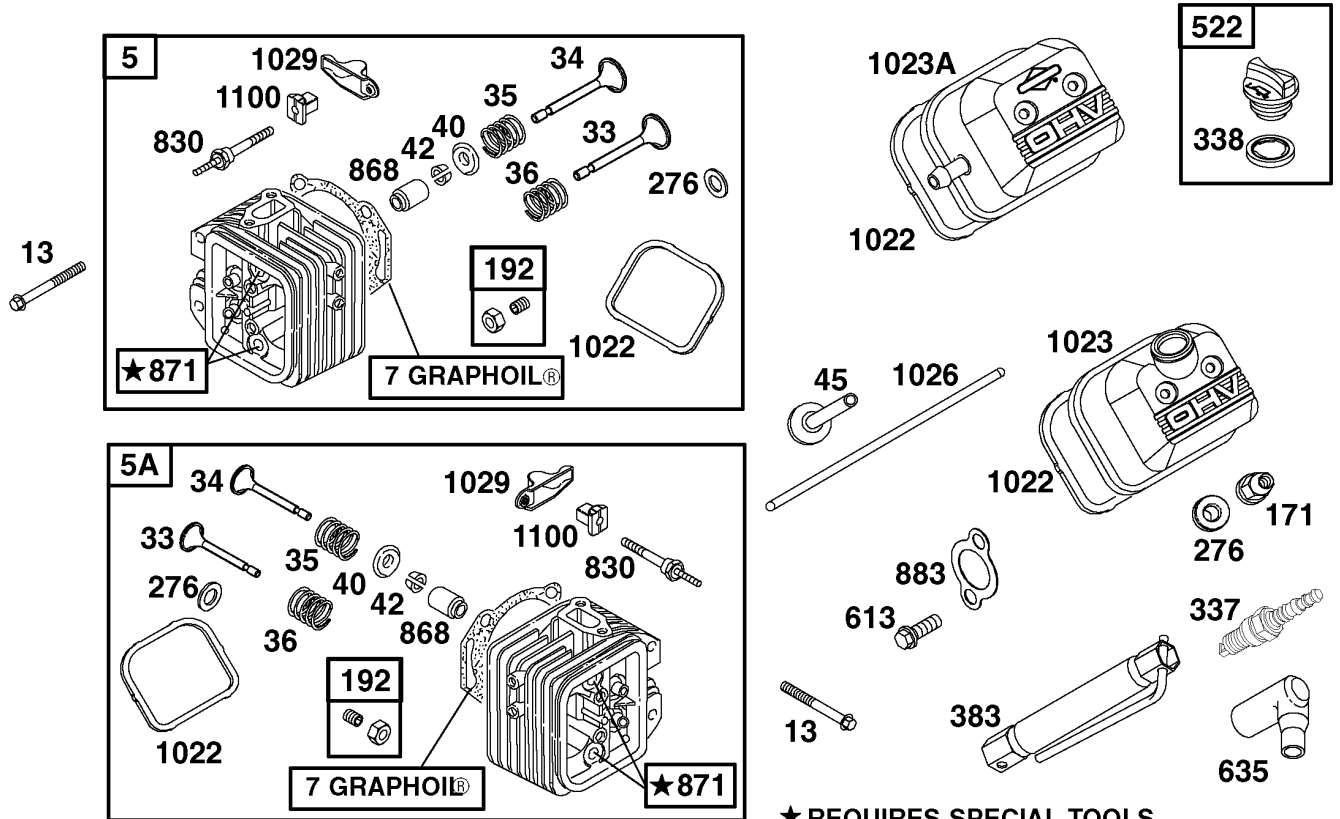


Assemblies include all parts shown in frames.

Crankshaft, Piston and Oil Pump Assembly Briggs and Stratton Model 303440-1409-E1

Ref	Part No.	Qty.	Description
16	692163	1	Crankshaft
25	807619	1	Piston ASM (Standard)
	807807	1	Piston ASM (.010 Oversize)
	807809	1	Piston ASM (.020 Oversize)
	807811	1	Piston ASM (.030 Oversize)
26	807620	1	Ring Set (Standard)
	807808	1	Ring Set (.010 Oversize)
	807810	1	Ring Set (.020 Oversize)
	807812	1	Ring Set (.030 Oversize)
27	690683	1	Lock-Pin, Piston
28	807621	1	Pin-Piston
29	807900	1	Rod-Connecting (Standard)
	807809	1	Piston ASM (.020 Oversize)
32	690698	1	Screw
39	690745	1	Deflector-Oil
46	692157	1	Camshaft
146	691639	1	Key-Timing
239	690233	1	Switch-Pressure, Oil
273	690681	1	Seal-O Ring
377	806066	1	Key-Flywheel
468	690690	1	Seal-O Ring
479	692537	1	Screw
596	691492	1	Screw
598	807625	1	Shim-Play, End

Ref	Part No.	Qty.	Description
650	692539	1	Screw
741	691530	1	Gear-Timing
1017	690900	1	Screen-Pump, Oil
1024	693185	1	Pump-Oil
1025	690689	1	Spool-Governor

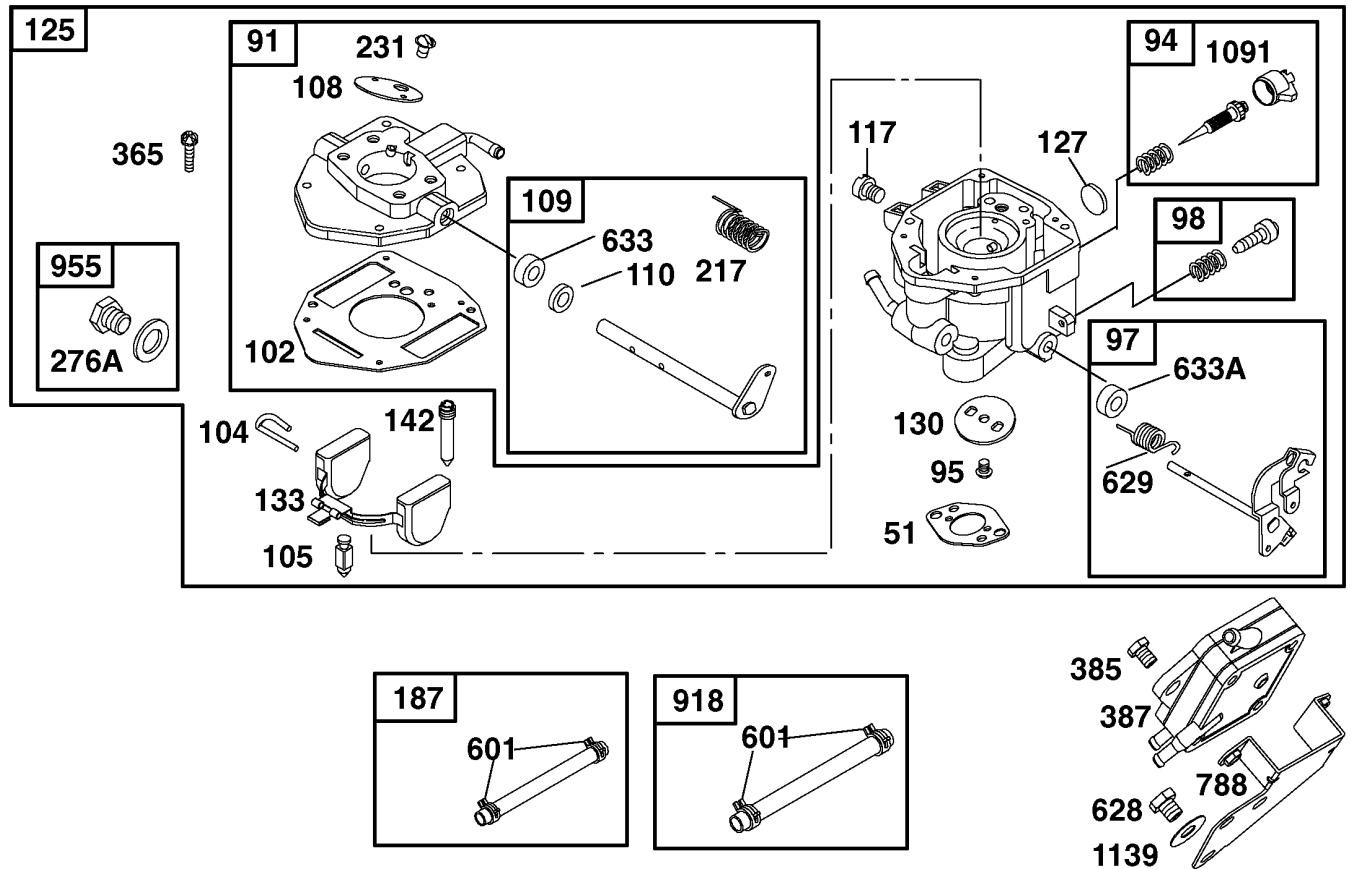


Assemblies include all parts shown in frames.

Cylinder Head Assembly Briggs and Stratton Model 303440-1409-E1

Ref	Part No.	Qty.	Description
5	808381	1	Head-Cylinder (Cylinder No. 1)
5A	808382	1	Head-Cylinder (Cylinder No. 2)
347	806085	1	Gasket-Head, Cylinder
6			
613	692059	1	Screw
633	807681	1	Valve-Exhaust
634	807680	1	Valve-Intake
635	692084	1	Spring-Valve
636	692084	1	Spring-Valve
640	692058	1	Retainer-Valve
642	807683	1	Keeper-Valve
645	690977	1	Valve-Tappet
6171	692055	1	Nut
6192	807623	1	Adjuster-Arm, Rocker
6276	691766	1	Washer-Sealing
6			
6337	491055	1	Plug-Spark
6338	691312	1	Gasket-Dipstick
6			
6383	19374	1	Wrench-Spark Plug
6522	491832	1	Plug-Dipstick / Fill
6613	691902	1	Screw
6635	805529	1	Boot-Spark Plug
6830	691544	1	Stud-Rocker Arm
6868	691963	1	Seal-Valve

Ref	Part No.	Qty.	Description
6871	692057	1	Bushing-Guide, Valve
6883	691613	1	Gasket-Exhaust
6			
61022	806039	1	Gasket-Cover, Rocker
6			
61023	691494	1	Cover-Valve
61023A	691558	1	Cover-Valve
61026	691836	1	Rod-Push
6	691758	1	Rod-Push
61029	691543	1	Arm-Rocker
61100	690973	1	Pivot-Arm, Rocker

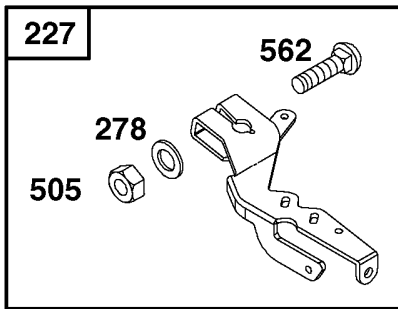
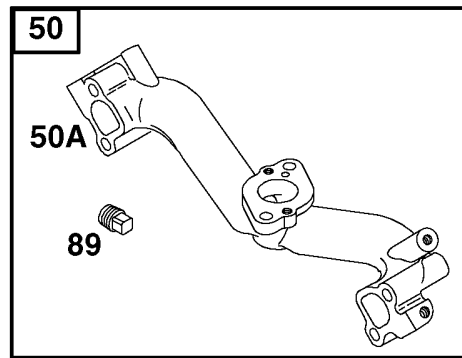
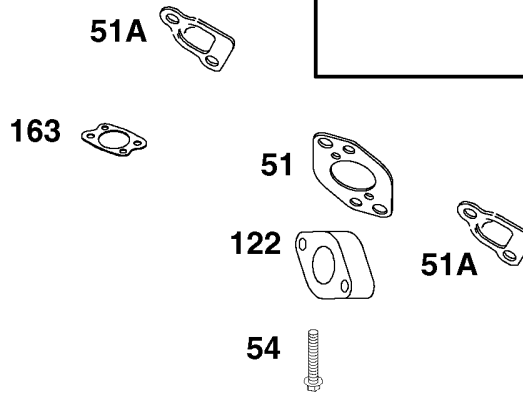
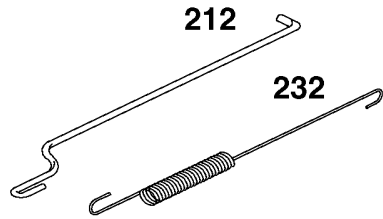


Assemblies include all parts shown in frames.

Carburetor Assembly Briggs and Stratton Model 303440-1409-E1

Ref	Part No.	Qty.	Description
④⑤⑥51	691694	1	Gasket-Intake
⑥91	808964	1	Body-Carburetor, Upper
⑥⑥94	808257	1	Idle Mixture Kit
⑥95	690718	1	Screw
⑥97	808963	1	Throttle Shaft
⑥98	808177	1	Screw
⑥⑥102	692077	1	Gasket-Body, Carburetor
⑥⑥104	690723	1	Pin-Hinge, Float
⑥⑥105	805547	1	Valve-Needle
⑥108	690719	1	Valve-Choke
⑥109	808962	1	Shaft-Choke
⑥110	806861	1	Washer
⑥⑥117	806859	1	Jet-Main
⑥125	808965	1	Carburetor
⑥⑥127	690727	1	Plug-Welch
⑥130	690726	1	Valve-Throttle
⑥133	806858	1	Carburetor Float
⑥⑥142	806860	1	Nozzle-Carburetor
⑥187	691050	1	Line-Fuel (Cut To Required Length)
⑥217	806862	1	Spring-Return, Choke
⑥231	690718	1	Screw
⑥276A	690724	1	Seal-O Ring

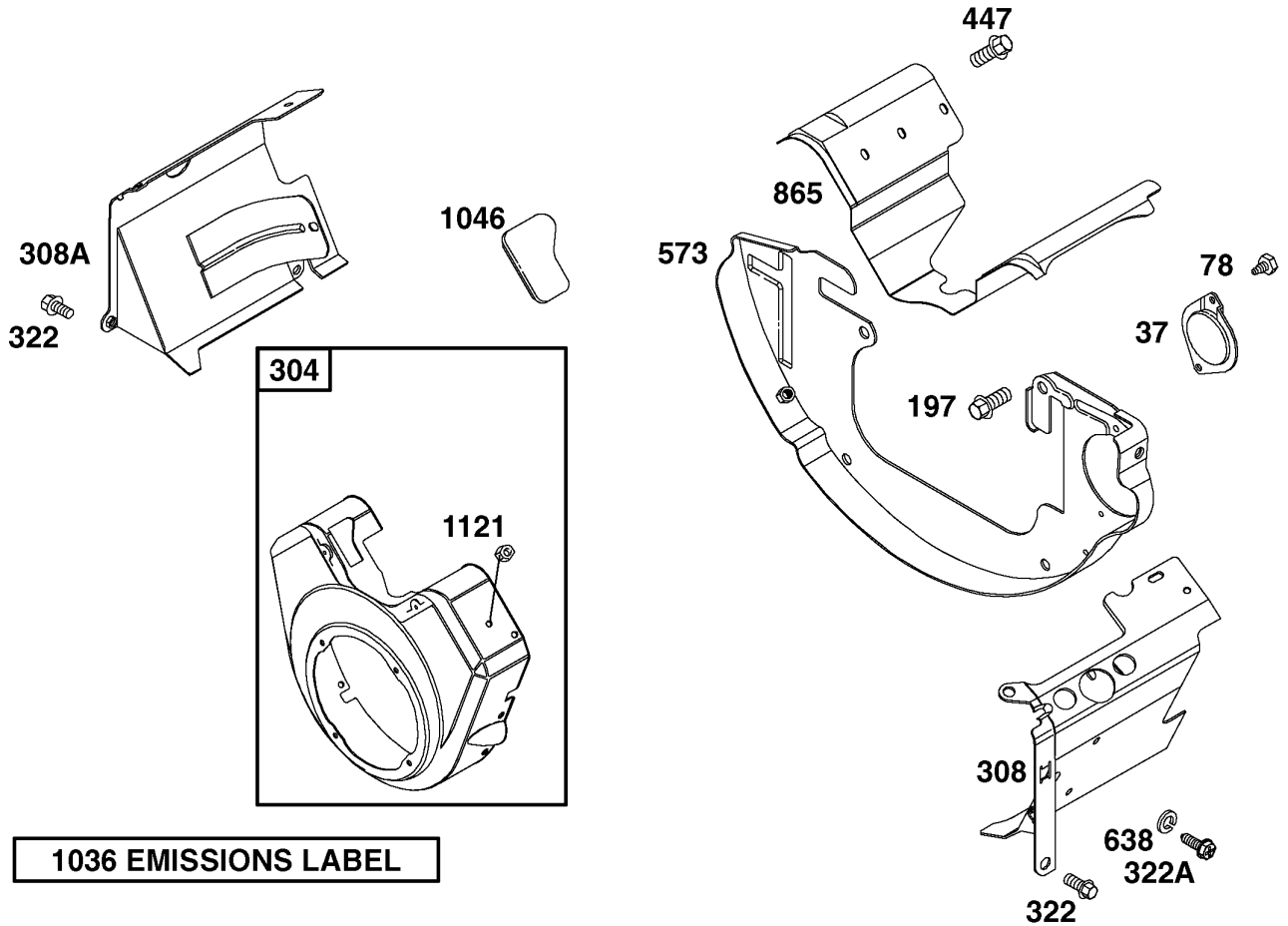
Ref	Part No.	Qty.	Description
⑥365	690720	1	Screw
⑥385	693169	1	Screw
⑥387	808656	1	Pump-Fuel
⑥601	93807	1	Clamp-Hose
⑥628	805247	1	Screw
⑥629	806863	1	Throttle Return Spring
⑥⑥633	690722	1	Seal-Shaft, Choke / Throttle
⑥⑥633A	806864	1	Choke/Throttle Shaft Seal
⑥788	691559	1	Bracket-Pump, Fuel
⑥918	393815	1	Line-Vacuum
⑥955	807723	1	Plug-Carburetor
⑥⑥1091	691516	1	Cap-Limiter
⑥1139	806479	1	Screw



Manifold and Governor Assembly Briggs and Stratton Model 303440-1409-E1

Ref	Part No.	Qty.	Description
50	692124	1	Intake Manifold
50A	692156	1	Intake Manifold
51	691694	1	Gasket-Intake
51A	692035	1	Gasket-Intake
54	690711	1	Screw
54A	690676	1	Screw
89	690283	1	Plug
122	690691	1	Spacer-Carburetor
163	692081	1	Gasket-Cleaner, Air
212	690712	1	Link-Throttle
227	690236	1	Lever-Control, Governor
232	692073	1	Spring-Link, Governor
278	690237	1	Washer
505	690238	1	Nut
562	690239	1	Bolt

--	--	--	--

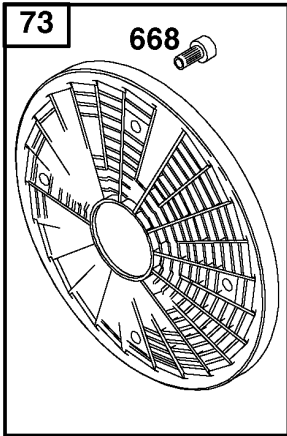
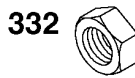
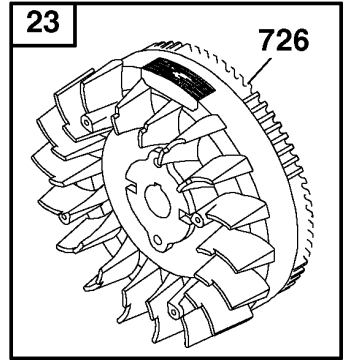
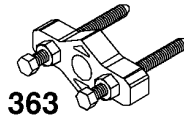
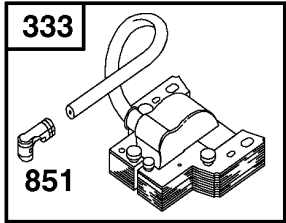


1036 EMISSIONS LABEL

Blower Housing Assembly Briggs and Stratton Model 303440-1409-E1

Ref	Part No.	Qty.	Description
37	690715	1	Flywheel Guard
78	690688	1	Screw
197	692539	1	Screw
304	808408	1	Housing-Blower
308	806547	1	Cover-Head, Cylinder (Cyl. #1)
308A	806546	1	Cover-Head, Cylinder (Cyl. #2)
322	692539	1	Screw
322A	692067	1	Screw
447	692539	1	Screw
573	690902	1	Plate-Back
638	690706	1	Washer
865	690750	1	Cover-Guide, Air
1036	806687	1	Decal-Emission
1046	692082	1	Plug-Housing, Blower
1121	810056	1	Nut

--

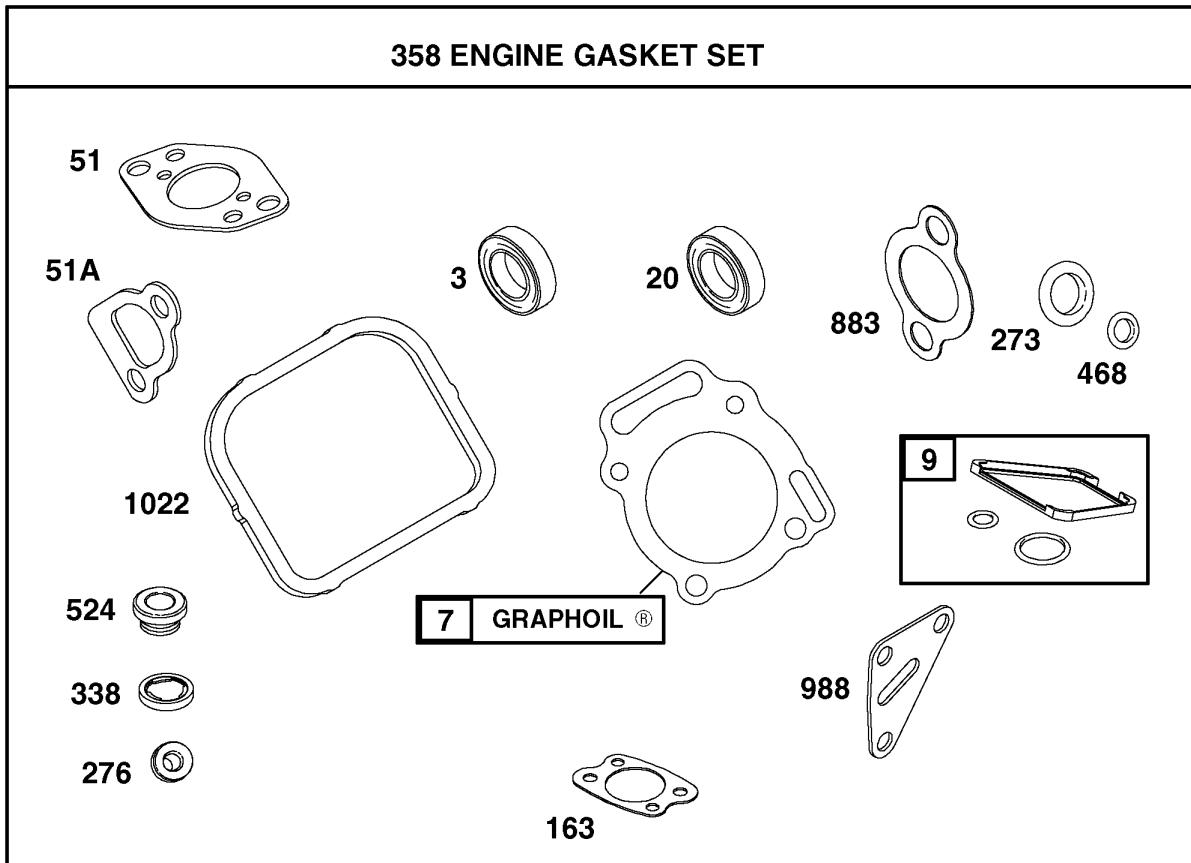


Assemblies include all parts shown in frames.

Flywheel Assembly Briggs and Stratton Model 303440-1409-E1

Ref	Part No.	Qty.	Description
23	808766	1	Flywheel
73	494439	1	Screen-Rotating
74	691647	1	Screw
332	690887	1	Nut
333	492341	1	Armature-Magneto
334	692066	1	Screw
359	691077	1	Washer
363	19203	1	Puller-Flywheel
373	691612	1	Nut
507	691972	1	Insulator
520	691084	1	Terminal-Ground
529	690744	1	Grommet
578	692319	1	Wire ASM
668	691500	1	Spacer
726	808162	1	Flywheel Ring Gear (Includes Hardware)
729	690586	1	Clip-Wire
851	493880	1	Terminal-Spark Plug
1054	280275	1	Tie-Cable

--	--	--	--



Assemblies include all parts shown in frames.
**Engine Gasket Set Assembly Briggs and Stratton Model
 303440-1409-E1**

Ref	Part No.	Qty.	Description
463	805101	1	Seal-Oil
347	807983	1	Cylinder Head Gasket
6			
469	807688	1	Gasket-Breather
4620	805049	1	Seal-Oil
4551	691694	1	Gasket-Intake
6			
3451A	692035	1	Gasket-Intake
6			
46163	692081	1	Gasket-Cleaner, Air
46273	690681	1	Seal-O Ring
34276	691766	1	Washer-Sealing
6			
34338	691312	1	Gasket-Dipstick
6			
6358	808390	1	Engine Gasket Set
46468	690690	1	Seal-O Ring
46524	693172	1	Seal-Tube, Dipstick
34883	691613	1	Gasket-Exhaust
6			
46988	692063	1	Gasket-Adapter, Oil Filter
341022	806039	1	Gasket-Cover, Rocker
6			

Ref	Part No.	Qty.	Description

