



## Workman<sup>®</sup> 2100 Utility Vehicle

Model No. 07253 - 230000001 and up.

Model No. 07253TC - 230000001 and up.

### Parts Catalog

---

#### Ordering Replacement Parts

To order replacement parts, please supply the part number, the quantity, and the description of each part desired.

#### Understanding Reference Numbers

Each identified part in an illustration has a reference number. The reference number for a part also appears in the parts list, along with other information about the part.

This catalog uses two special reference number formats, one to indicate parts in a service assembly and another to indicate the quantity of a given part in an illustration.

#### Service Assembly Reference Numbers

Parts in service assemblies have reference numbers in the form a:b. The a represents the reference number of the entire service assembly and the b represents a sequential number unique to each part within the service assembly.

For example, a wheel assembly might be identified by reference number 6, the tire by 6:1, the valve by 6:2, and the wheel by 6:3. When you order the assembly identified by reference number 6, you receive all parts identified by reference numbers 6:1, 6:2, and 6:3. However, you may also order any part individually. Reference numbers of this type appear in illustrations and in part lists.

#### Reference Numbers Indicating Quantity

In an illustration, if a reference number indicates more than one part, the reference number has the form nX y. The n represents the quantity of the part, the X is the multiplication symbol, and the y represents the reference number.

For example, in an illustration, the reference number 2X 37 means that two of the parts identified by reference number 37 are indicated.

# Contents

Description	Page	Description	Page
Hood and Fender Assembly	..... 3	Crankcase Assembly Briggs and Stratton Engine 303440-1320-E1	..... 26
Pedal Assembly	..... 4	Crankshaft Assembly Briggs and Stratton Engine 303440-1320-E1	..... 27
Shifter Assembly	..... 5	Cylinder Head Assembly Briggs and Stratton Engine 303440-1320-E1	..... 28
Frame Assembly	..... 6	Cylinder Head Assembly Briggs and Stratton Engine 303440-1320-E1	..... 29
Seatbase Assembly	..... 7	Oil Filter, Tube and Pump Assembly Briggs and Stratton Engine 303440-1320-E1	..... 30
Front Tire and Steering Assembly	..... 8	Carburetor Assembly Briggs and Stratton Engine 303440-1320-E1	..... 31
Engine and Clutch Assembly	..... 9	Intake Manifold Assembly Briggs and Stratton Engine 303440-1320-E1	..... 32
Clutch Assembly No. 99-7145	..... 11	Flywheel Assembly Briggs and Stratton Engine 303440-1320-E1	..... 33
Starter Generator Assembly No. 99-7108	..... 12	Blower Housing Assembly Briggs and Stratton Engine 303440-1320-E1	..... 34
Rear Tire and Transaxle Assembly	..... 13	Gasket Assembly Briggs and Stratton Engine 303440-1320-E1	..... 35
Transaxle Assembly No. 104-6898	..... 14	Carburetor Overhaul Kit Assembly Briggs and Stratton Engine 303440-1320-E1	..... 36
Clutch Assembly No. 99-7104	..... 16		
Right Hand Brake Assembly No. 99-7136	..... 17		
Left Hand Brake Assembly No. 99-7137	..... 18		
Drivetrain Mount Assembly	..... 19		
Air Cleaner Assembly No. 99-7120	..... 20		
Upper Steering Assembly	..... 21		
Steering Gearbox Assembly No. 99-7660	..... 22		
Box Assembly	..... 23		
Box and Tailgate Assembly	..... 24		
Cylinder Assembly Briggs and Stratton Engine 303440-1320-E1	..... 25		

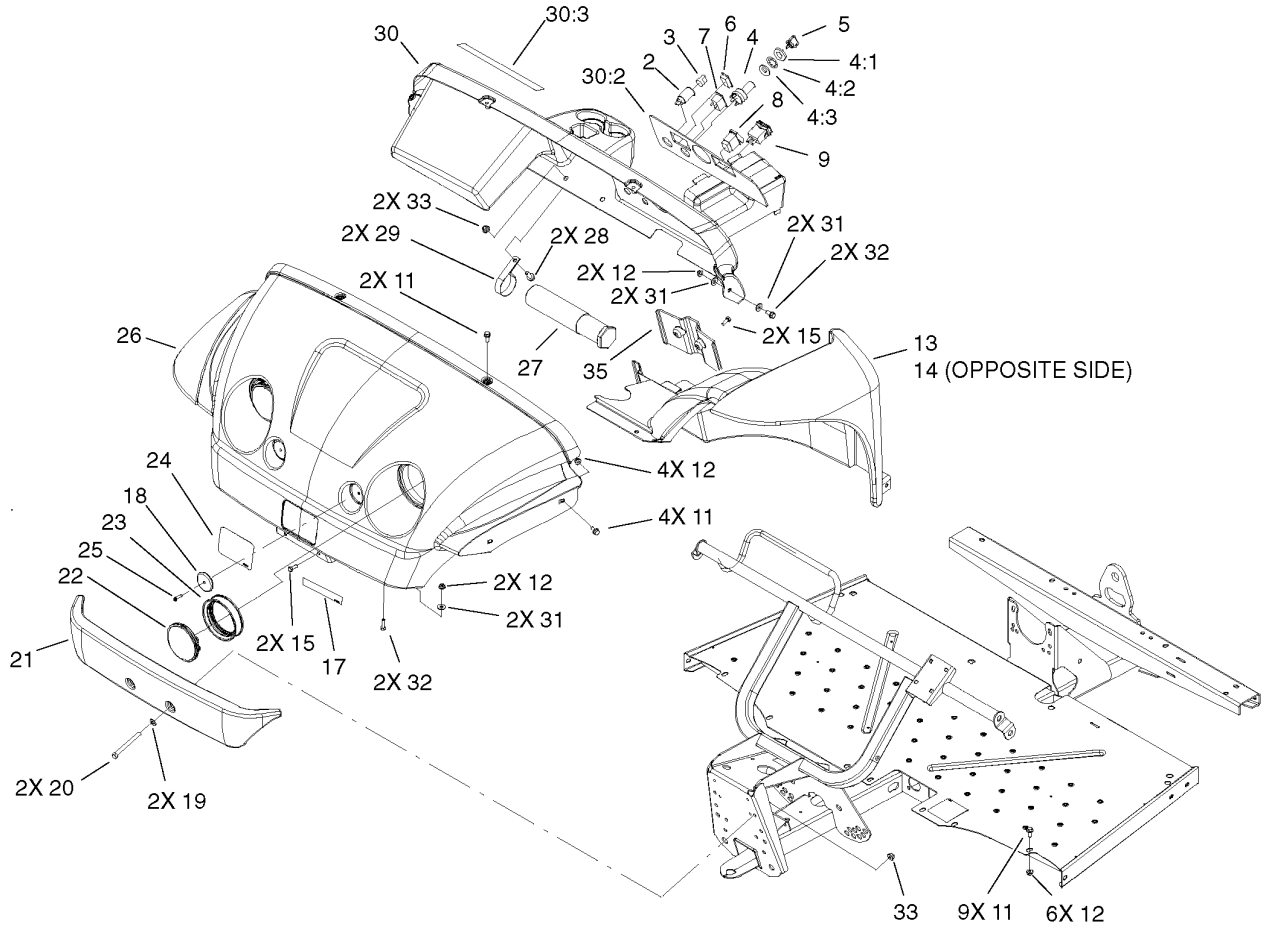
## Part Description Abbreviations

Part descriptions in this catalog may include the following abbreviations.

AR. .... as required	HYD. .... hydraulic
ASM. .... assembly	LH. .... left hand
BBC. .... blade brake clutch	NI. .... nylon insert
CARR. .... carriage	NPTF. .... national pipe thread fine
DEG. .... degrees	PFH. .... phillips flat head
EXT. .... external	PPH. .... phillips pan head
FH. .... flat head	PPHTF. .... phillips pan head thread forming
GA. .... gauge	PRH. .... phillips round head
HD. .... heavy-duty	PTH. .... phillips truss head
HF. .... hex flange	PTO. .... power-take-off
HH. .... hex head	RH. .... right hand
HHF. .... hex head flange	ROPS. .... roll-over protection system
HHFTF. .... hex head flange thread forming	SFH. .... slotted fillister head
HJ. .... hex jam	SHH. .... slotted hex head
HLH. .... hex lag head	SHWH. .... slotted hex washer head
HOC. .... height-of-cut	SPH. .... slotted pan head
HSBH. .... hex socket button head	SQH. .... square head
HSFH. .... hex socket flat head	SRH. .... slotted round head
HSH. .... hex socket head	STD. .... standard
HWH. .... hex washer head	TAP. .... self tapping
HWHTF. .... hex washer head thread forming	TTH. .... torx truss head

## Footnotes

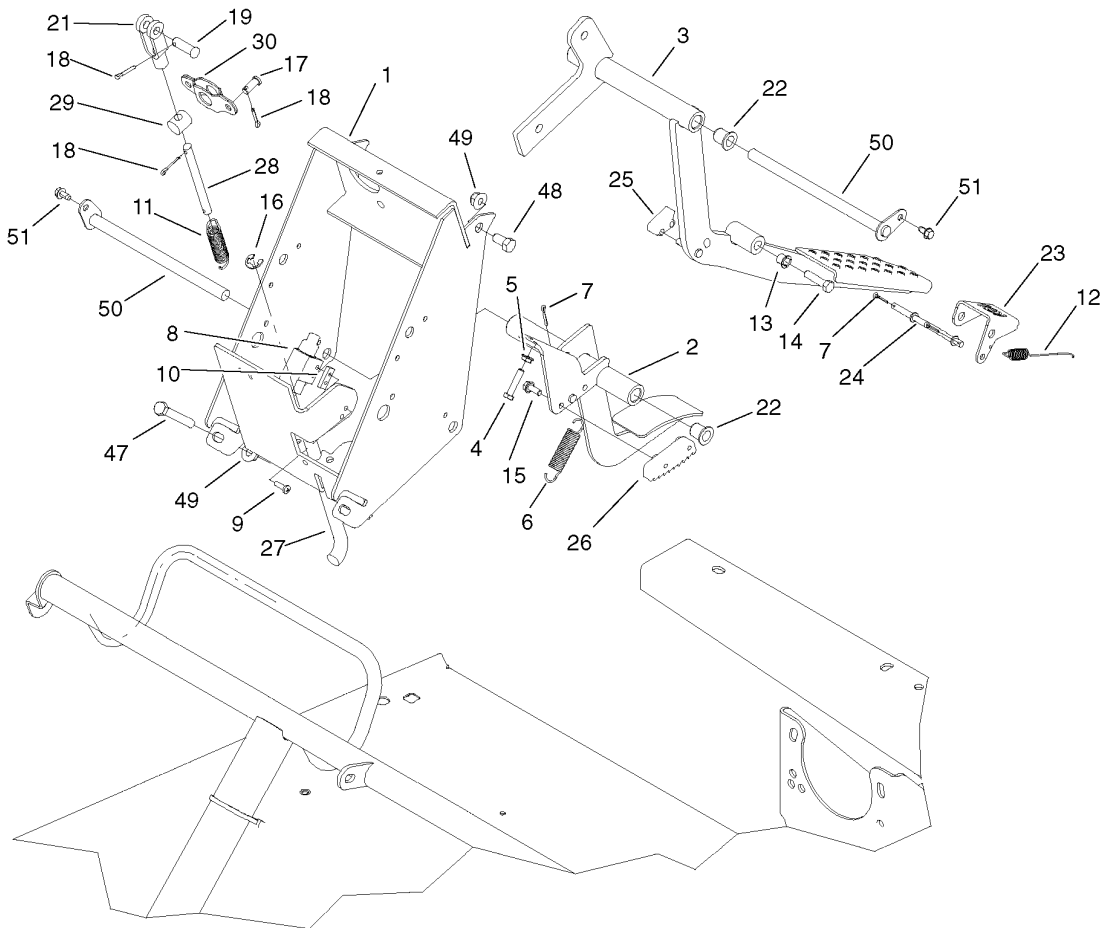
- |   |   |
|---|---|
| ❶ Not illustrated                               | ❷ Not serviced separately                         |
| ❸ Included in Engine Gasket Set-Ref. 358.       | ❹ Included in Valve Gasket Set-Ref. 1095.         |
| ❺ Included in Carburetor Overhaul Kit-Ref. 121. | ❻ Obtain from your local Briggs & Stratton dealer |



## Hood and Fender Assembly

Ref	Part No.	Qty.	Description
2	99-7411	1	Point-Power
3	99-7416	1	Cap
4	104-6929	1	Switch-Ignition
4:1	104-7042	1	Nut-Switch, Plastic
4:2	104-7019	2	Washer-Lock, Internal
4:3	104-7021	1	Spacer-Switch
5	99-7418	2	Key-Ignition
6	99-7420	1	Plug-Hole
7	99-7410	1	Light-Oil
8	95-8999	1	Switch
9	94-4208	1	Hourmeter
11	3234-5	13	Screw-HHF
12	104-8300	14	Nut-Flange, NI
13	104-7076	1	LH Fender ASM
14	104-7077	1	RH Fender ASM
15	104-7206	4	Screw-HHF
17	104-7268	1	Decal
18	99-7312	2	Reflector
19	3256-24	2	Washer-Flat
20	323-42	2	Screw-HH
21	99-7733	1	Bumper-Plastic
22	99-7310	2	Headlight
23	99-7311	2	Mount-Headlight
24	99-7339	1	Decal

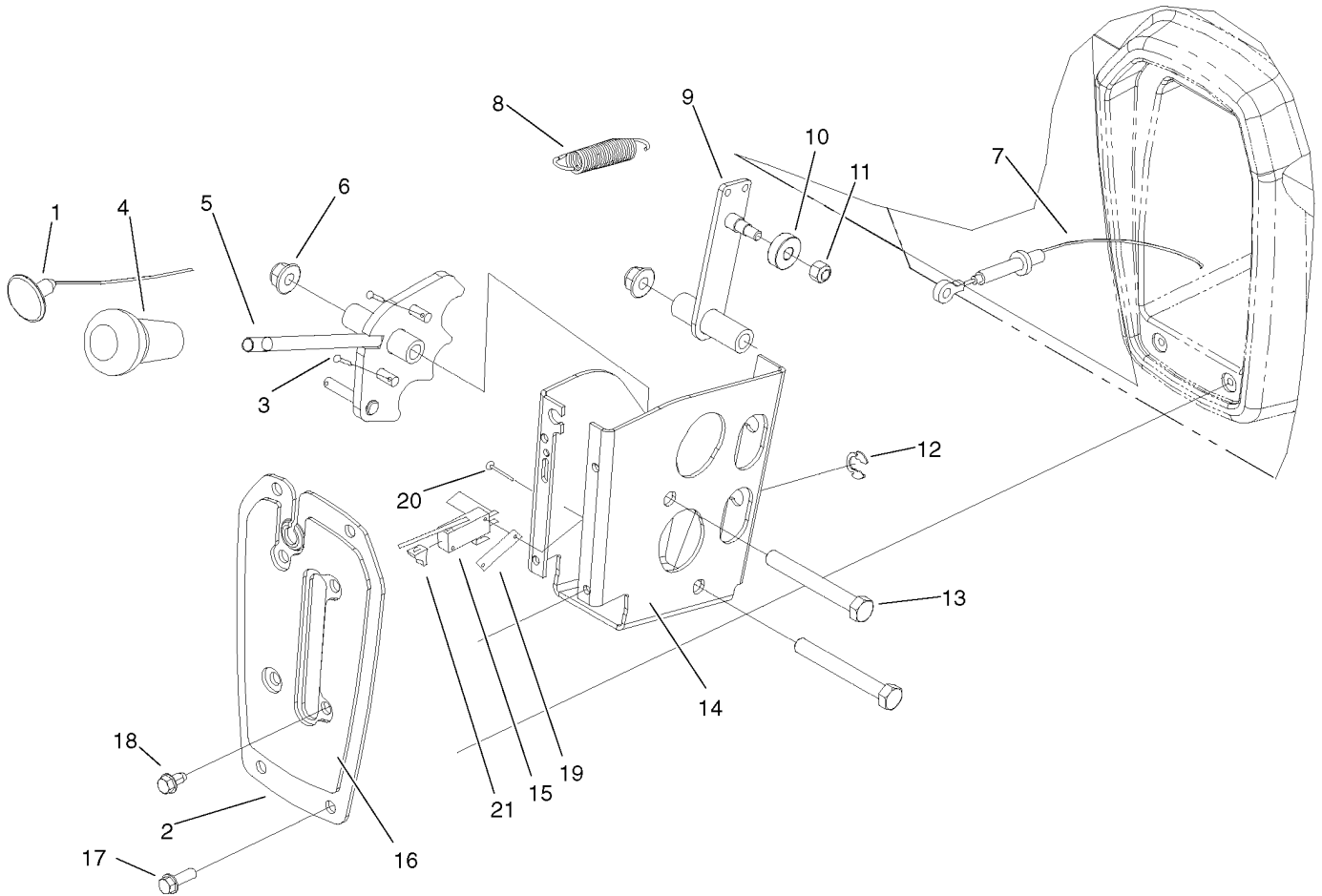
Ref	Part No.	Qty.	Description
25	32144-89	2	Screw-Forming, Thread
26	104-7003	1	Hood
27	74-0720	1	Tube-Manual
28	3234-11	2	Screw-HHF
29	2412-133	2	R-Clamp
30	99-7360	1	Dash ASM
30:2	99-7343	1	Decal-Warning, Dash
30:3	99-7344	1	Decal-Danger
31	3256-3	6	Washer-Flat
32	3234-17	4	Screw-HHF
33	104-8301	4	Nut-Flange, NI
35	104-7075	1	Cover-Channel



## Pedal Assembly

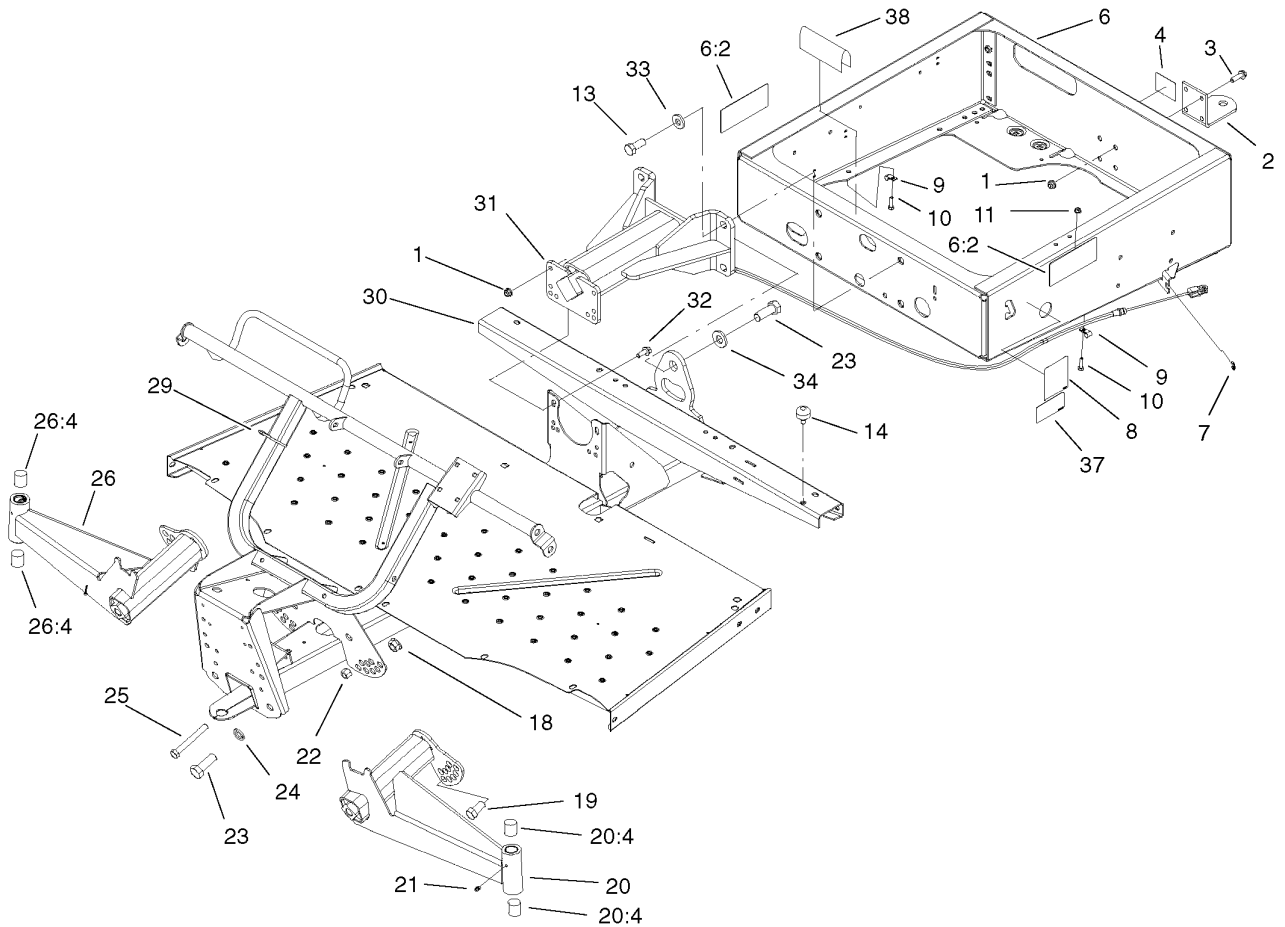
Ref	Part No.	Qty.	Description
1	104-7160-03	1	Frame-Pedals
2	104-7165-03	1	Pedal-Throttle
3	104-7170-03	1	Pedal-Brake
4	321-8	2	Screw-HH
5	32149-2	2	Nut-Keps
6	104-6415	1	Spring-Return, Pedal
7	3272-6	4	Pin-Cotter
8	99-7407	1	Switch
9	3290-500	2	Screw-PPH
10	1-633181	1	Plate-Tapped
11	613386	1	Spring-Brake
12	92-6945	1	Spring-Extension
13	52-2891	2	Bushing-Link, Steering
14	323-12	1	Screw-HH
15	3234-33	2	Screw-HHF
16	32120-47	2	Ring-Retaining, External
17	283-62	2	Pin-Clevis
18	3272-10	4	Pin-Cotter
19	283-2	1	Pin-Clevis
21	1-633131	1	Yoke-Linkage, Brake
22	256-155	4	Bushing-Flange
23	104-6613	1	Pedal-Park
24	104-6616	1	Rod-Park
25	104-6624	1	Detent-Brake

Ref	Part No.	Qty.	Description
26	104-6614	1	Pawl-Brake
27	104-6571	2	Cable-Brake
28	104-6597	1	Rod-Threaded
29	104-6598	1	Pin-Pivot
30	104-6599	1	Pivot-Brake
47	323-11	2	Screw-HH
48	323-4	2	Screw-HH
49	104-8301	5	Nut-Flange, NI
50	104-7164	2	Pivot-Pedal
51	12-3270	2	Screw



## Shifter Assembly

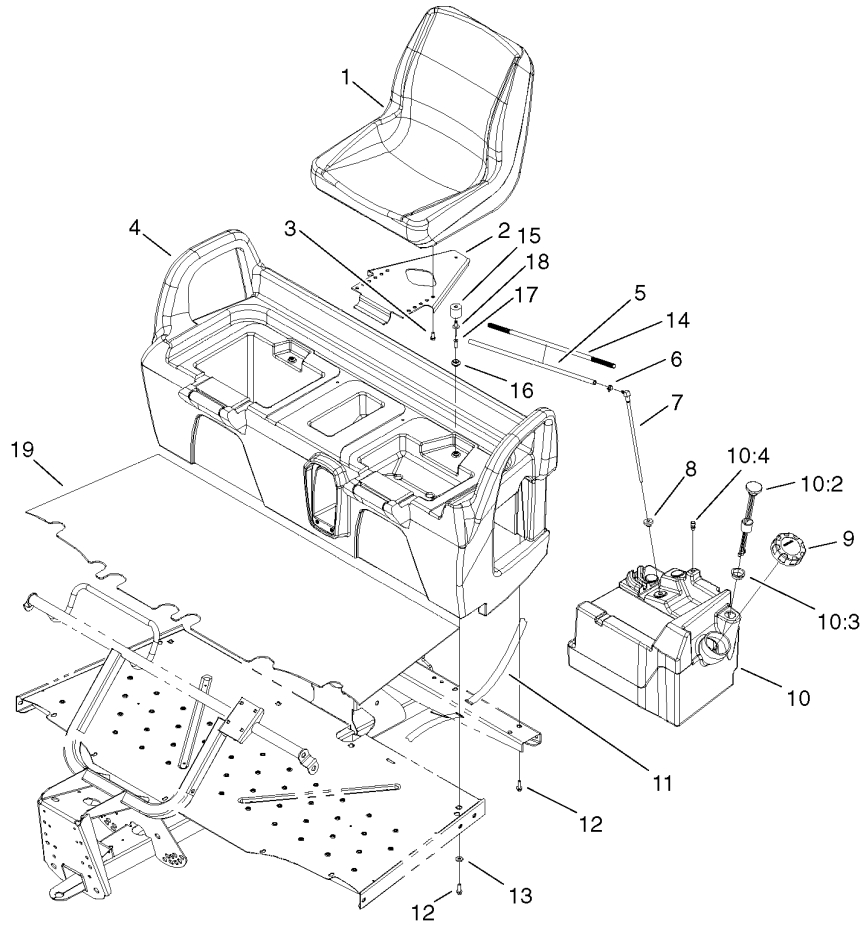
Ref	Part No.	Qty.	Description
1	99-7111	1	Cable-Choke
2	99-7887-03	1	Plate-Shifter
3	3272-5	2	Pin-Cotter
4	99-7981	1	Knob-Grip, Soft
5	99-7879	1	Lever-Shifter
6	104-8301	2	Nut-Flange, NI
7	104-6896	2	Cable-Shift
8	104-6415	1	Spring-Return, Pedal
9	99-7176	1	Detent
10	251-307	1	Bearing-Ball
11	3296-42	1	Nut-Lock, NI
12	32151-101	2	E-Ring
13	323-14	2	Screw-HH
14	104-6509-03	1	Bracket-Shift
15	88-9932	1	Switch-Micro
16	99-7952	1	Decal-Shifter
17	32105-15	4	Screw
18	12-3270	4	Screw
19	3290-354	1	Nut-Speed
20	3290-313	2	Screw-Ph
21	93-3240	1	Plunger-Seal

## Frame Assembly

Ref	Part No.	Qty.	Description
1	104-8301	8	Nut-Flange, NI
2	99-7654-03	1	Hitch-Duty, Light
3	3234-24	4	Screw-HHF
4	99-7350	1	Decal-Information
6	99-7362	1	Rear Frame ASM
6:2	99-7345	2	Decal-Warning
7	32120-47	2	Ring-Retaining, External
8	99-7349	1	Decal-Information, Boxlatch
9	2412-89	4	Clamp
10	321-6	4	Screw-HH
11	32128-33	4	Nut-HF
13	327-4	4	Screw-HH
14	87-2440	1	Bumper-Rubber
18	32128-54	2	Nut-HF
19	3214-2	2	Screw-HH
20	99-7685	1	LH A-Arm ASM
20:4	3-0348	2	Bushing
21	302-5	2	Fitting-Grease
22	3296-23	2	Nut-Lock, NI
23	328-24	5	Screw-HH
24	3254-7	4	Washer-Lock, Int
25	325-17	2	Screw-HH
26	99-7684	1	RH A-Arm ASM
26:4	3-0348	2	Bushing

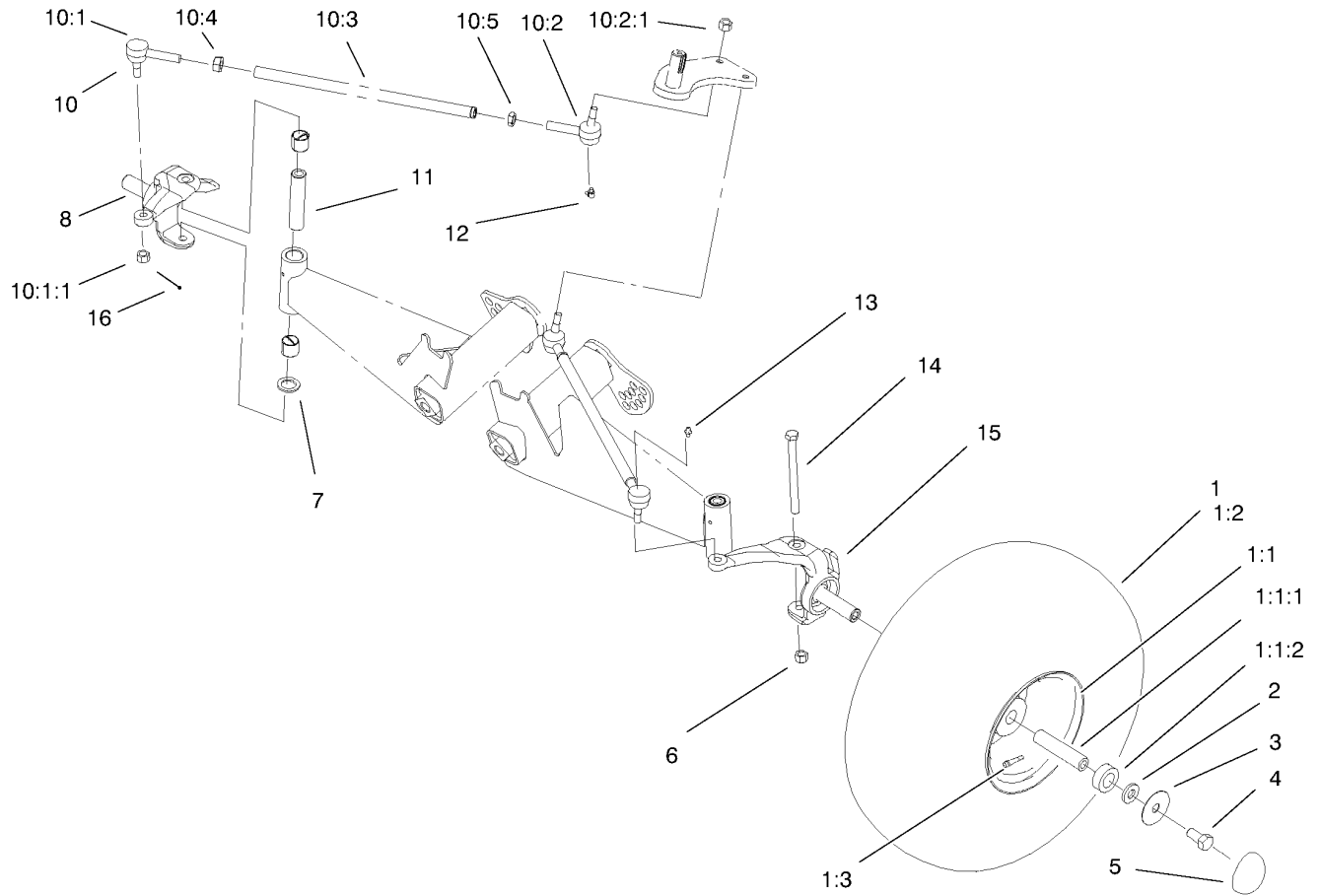
Ref	Part No.	Qty.	Description
29	3290-379	12	Tie-Cable
30	104-7197-03	1	Front Frame ASM
31	99-7700	1	Pivot Yoke ASM
32	3234-11	4	Screw-HHF
33	99-7667	4	Washer-Flat
34	87-3060	1	Washer-Hardened
37	99-7348	1	Decal-Information, Capacity
38	95-5686	1	Trim



### Seatbase Assembly

Ref	Part No.	Qty.	Description
1	99-7281	2	Seat
2	99-7829	2	Bracket-Seat
3	33114-016	8	Screw-HH
4	104-6401	1	Seat Base ASM
5	99-7187	1	Hose-Fuel
6	2412-98	1	Clamp
7	99-7264	1	Pipe-Stand
8	46-6560	1	Bushing
9	95-4192	1	Unleaded Gas Cap ASM
10	99-7323	1	Fuel Tank ASM
10:2	99-7262	1	Gauge-Fuel
10:3	95-8972	1	Grommet
10:4	99-7267	1	Vent-Air
11	3339-175	1	Strapping-Web, 48 Inch
12	3234-17	8	Screw-HHF
13	88-7200	4	Washer-Flat
14	99-7129	1	Conduit-Line, Fuel
15	99-7830	2	Rubber Receptical ASM
16	99-7833	2	Post-Holding
17	32108-5	2	Screw-FH
18	3290-412	2	Rivet
19	104-6590	1	Mat-Floor

--	--	--	--

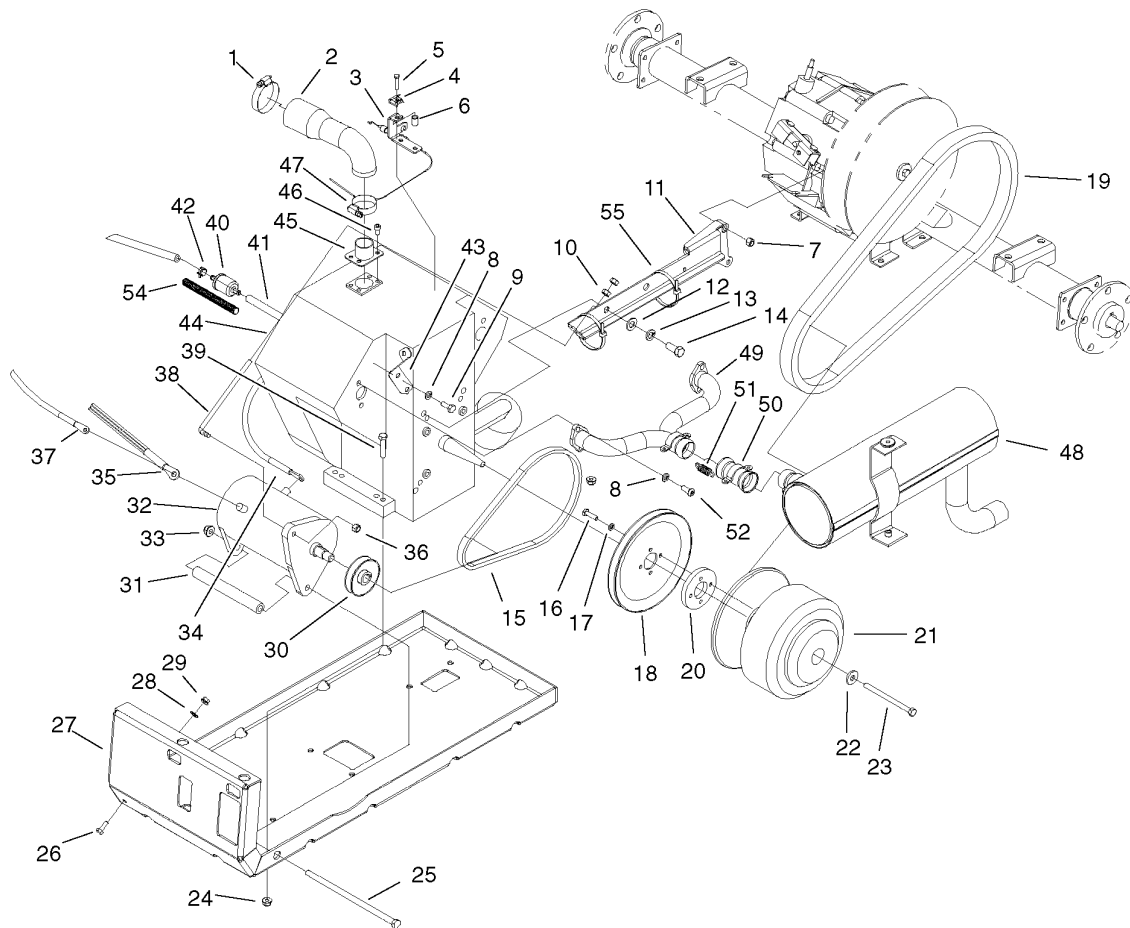


## Front Tire and Steering Assembly

Ref	Part No.	Qty.	Description
1	99-7298	2	Wheel & Tire ASM
1:1	99-7303	1	Wheel ASM
1:1:1	104-1699	1	Spacer
1:1:2	104-1698	2	Bearing-Ball
1:2	99-7301	1	Tire
1:3	232-27	1	Stem-Valve
2	99-7667	2	Washer-Flat
3	99-7719	2	Washer
4	327-2	2	Screw-HH
5	94-7871	2	Cap-Dust
6	3296-23	2	Nut-Lock, NI
7	256-115	2	Washer-Thrust
8	99-7487-03	1	Spindle-RH
10		2	Rod-Tie
10:1	112772	1	Joint-Ball, RH
10:1:1	915031	1	Nut
10:2	112771	1	Joint-Ball, LH
10:2:1	915031	1	Nut
10:3	99-7600-03	1	Rod-Tie
10:4	3220-11	1	Nut-Jam
10:5	3218-21	1	Nut-Jam
11	99-7499	2	Sleeve-Kingpin
12	302-60	2	Fitting-Grease, 90 DEG
13	302-5	2	Fitting-Grease

Ref	Part No.	Qty.	Description
14	325-20	2	Screw-HH
15	99-7486-03	1	Spindle-LH
16	3272-7	4	Pin-Cotter

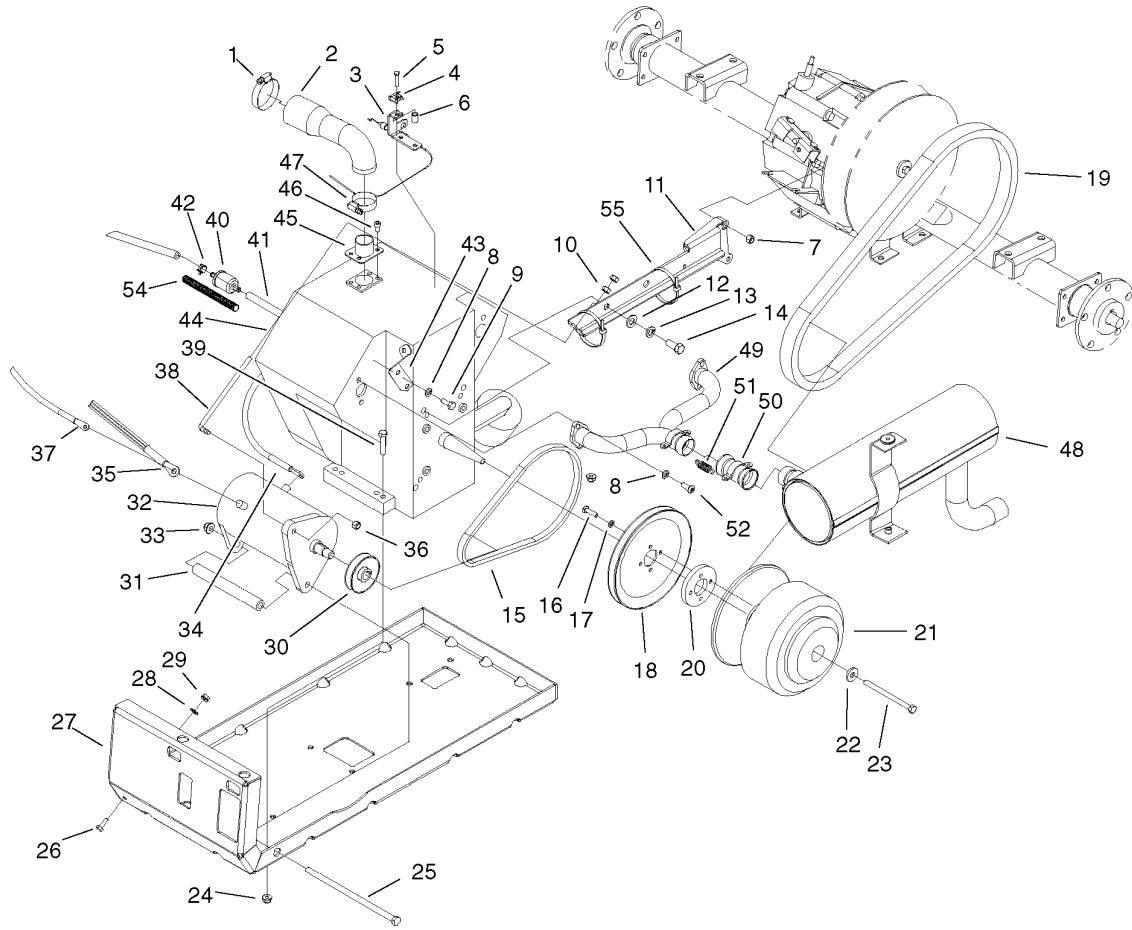




## Engine and Clutch Assembly

Ref	Part No.	Qty.	Description
1	2412-130	1	Clamp-Hose
2	99-7106	1	Hose-Intake
3	99-7097	1	Bracket-Cable
4	81-1690	1	Clamp-Cable
5	3290-432	1	Screw-HH
6	32148-14	1	Insert-Threaded
7	33024-00	2	Nut-Lock
8	3253-4	6	Washer-Lock
9	66-3160	2	Screw-Cap
10	3217-6	2	Nut-Hex
11	104-6631-03	1	Torque Arm ASM
12	3256-25	2	Washer-Flat
13	3253-6	2	Washer-Lock
14	324-4	2	Screw-HH
15	99-7133	1	V-Belt-Starter
16	321-6	4	Screw-HH
17	3253-3	4	Washer-Lock
18	99-7131	1	Pulley-Engine
19	99-7144	1	Belt-Drive
20	99-7064	1	Spacer-Starter
21	99-7145	1	Clutch-Drive
22	5-0838	1	Washer
23	99-7201	1	Screw-HH
24	104-8300	5	Nut-Flange, NI

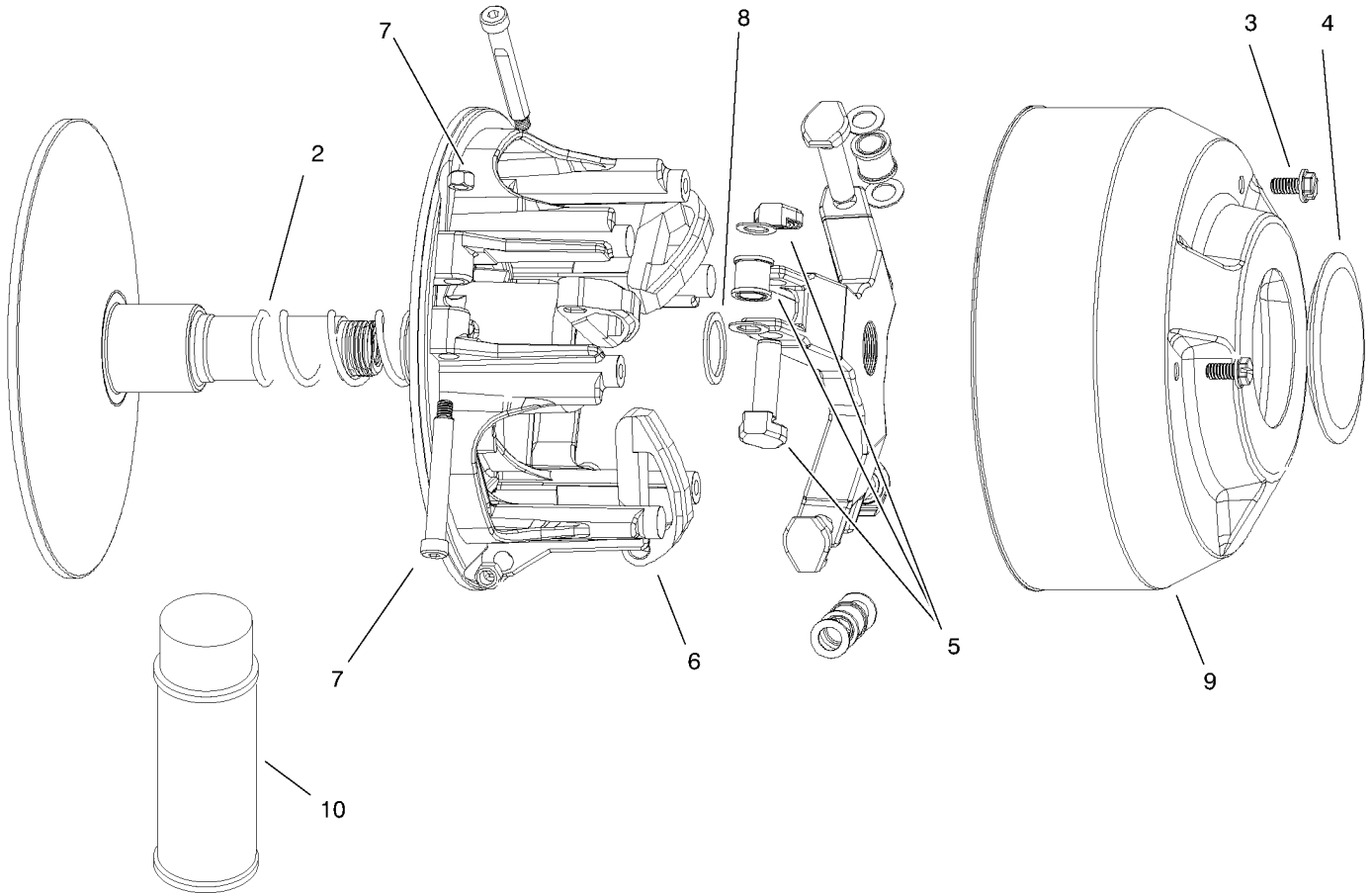
Ref	Part No.	Qty.	Description
25	99-7203	1	Screw
26	321-4	1	Screw-HH
27	104-6433-03	1	Mount-Engine
28	3255-8	1	Washer-Lock
29	32128-32	1	Nut-HHF
30	99-7130	1	Pulley-Starter
31	99-7053	1	Pivot-Starter
32	99-7108	1	Generator-Starter
33	104-8301	1	Nut-Flange, NI
34	99-7403	1	Cable-Negative
35	99-7437	1	Harness-Wire, Engine
36	3296-20	1	Nut-Lock, NI
37	104-6926	1	Cable-Positive
38	104-6629	1	Rod-Starter
39	322-8	4	Screw-HH
40	94-2690	1	Filter-Fuel
41	47-2966	1	Hose-Fuel
42	2412-98	3	Clamp
43	104-7152	1	Bracket-Cable, Throttle
44	104-6466	1	Engine-16Hp, Briggs & Str
45	99-7083	1	Bracket-Intake
46	99-7202	4	Screw
47	2412-3	1	Clamp-Hose
48	104-6475	1	Muffler-Engine



## Engine and Clutch Assembly (continued)

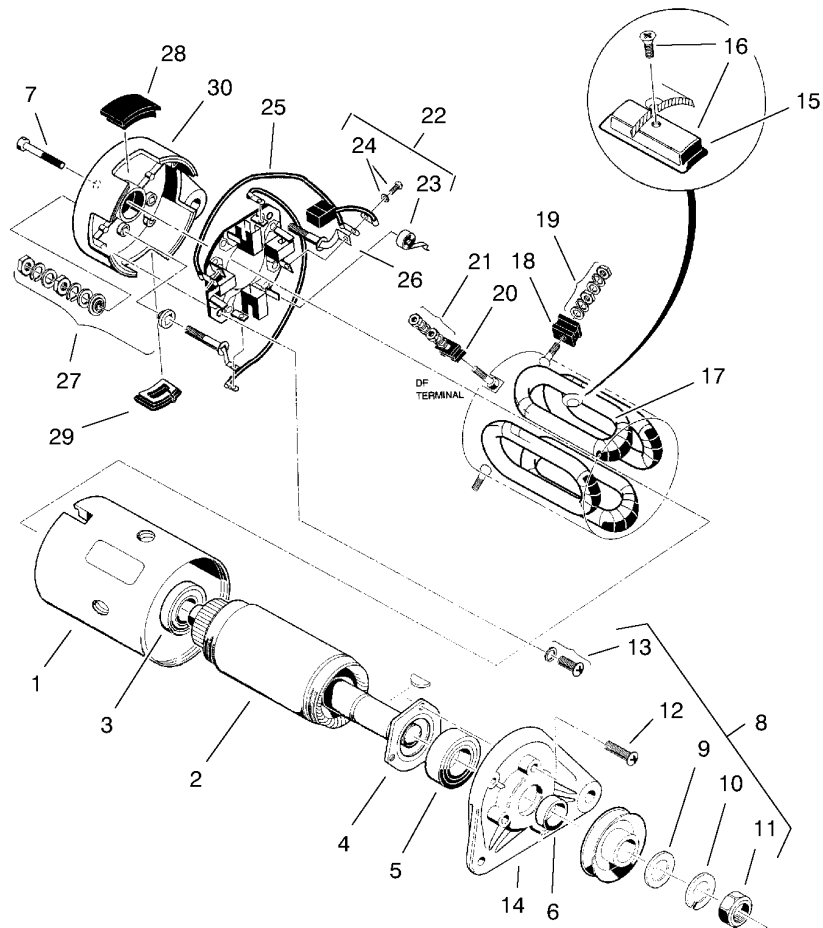
Ref	Part No.	Qty.	Description
49	104-6476	1	Manifold-Engine
50	104-6477	1	Coupler-Exhaust
51	104-6478	4	Spring-Coupler, Exhaust
52	3274-96	4	Screw
54	99-7377	1	Conduit-Line, Fuel
55	3290-379	2	Tie-Cable

--	--	--	--



### Clutch Assembly No. 99-7145

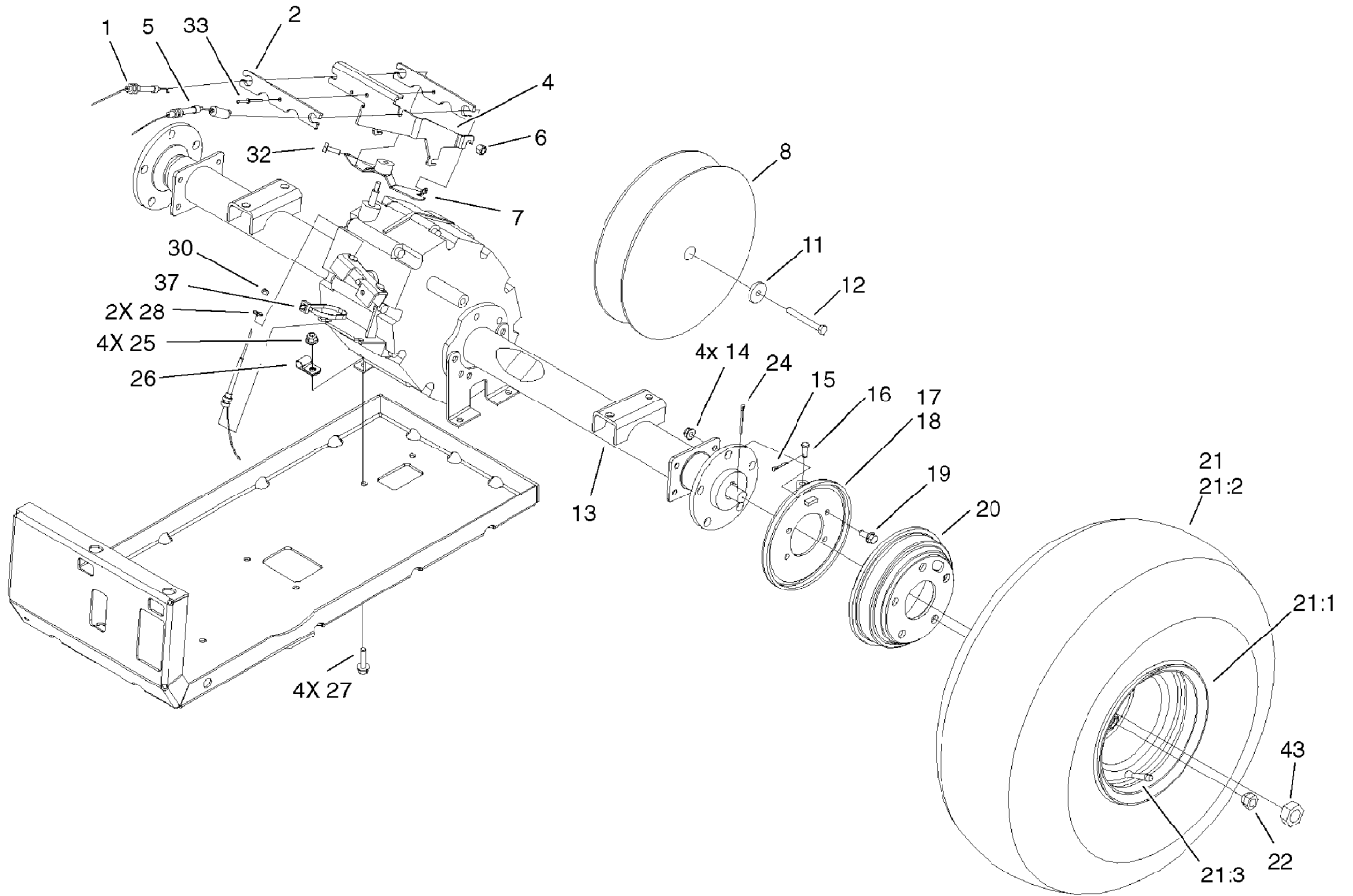
Ref	Part No.	Qty.	Description
2	104-1686	1	Spring
3	3234-26	3	Screw
4	104-1690	1	Cap
5	104-1697	1	Spider Roller Kit
6	104-1696	1	Arm-Cam
7	104-4257	1	Button Kit
8	104-1687	1	Spacer
9	104-1691	1	Cover
10	104-7011	1	Lubricant-Dry

## Starter Generator Assembly No. 99-7108

Ref	Part No.	Qty.	Description
①		1	Yoke
2	104-1210	1	Armature Kit
3	104-1211	1	Bearing-Ball, Rear
4	104-1212	1	Retainer
5	104-1213	1	Bearing-Ball, Front
6	104-1214	1	Spacer
7	104-1215	2	Bolt
⑧		1	Nut And Screw Set
9	104-1216	1	Washer-Plain
10	104-1217	1	Washer-Spring
11	104-1218	1	Nut-Hex
⑫		3	Screw-Flange
13	104-1219	2	Set-Screw
14	104-1220	1	Bracket-Front
⑮		4	Pole
16	104-1221	1	Set-Pole And Screw
17	104-1222	1	Field Stator Coil ASM
⑮		2	F Mold
19	104-1223	2	Set-Screw
⑳		1	D F Mold
21	104-1224	1	Set-Screw
22	104-1225	1	Brush Holder Kit
23	104-1226	4	Spring-Brush
24	104-1227	1	Brush And Screw Set

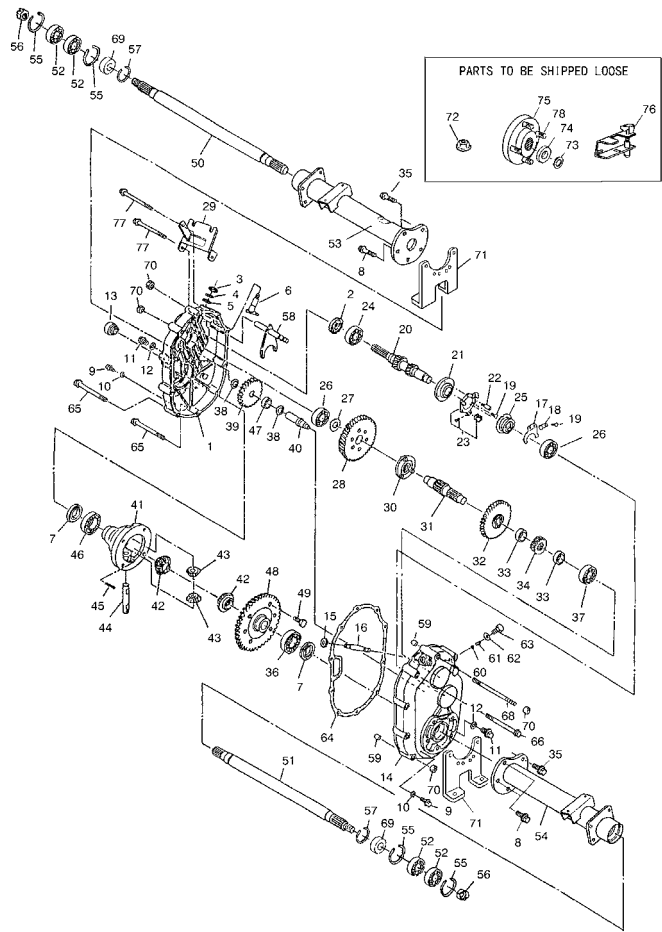
Ref	Part No.	Qty.	Description
⑳		2	Brush Connector ASM
㉑		2	A Terminal ASM
27	104-1228	2	Screw And Mold ASM
㉒		1	Cover Set
㉓		1	Cover B
㉔		1	Bracket-Rear



## Rear Tire and Transaxle Assembly

Ref	Part No.	Qty.	Description
1	104-6584	1	Cable-Governor
2	99-7121	2	Bracket-Tamper
4	99-7054	1	Bracket-Cables
5	104-6572	1	Cable-Throttle
6	33024-00	3	Nut-Lock
7	104-6569	1	Bracket-Governor
8	99-7104	1	Clutch-Driven
11	104-6563	1	Washer-Stepped
12	104-6564	1	Screw-HH
13	104-6898	1	Transaxle
14	104-8300	8	Nut-Flange, NI
15	3272-10	2	Pin-Cotter
16	283-62	2	Pin-Clevis
17	99-7136	1	Brake-RH
18	99-7137	1	Brake-LH
19	3234-5	10	Screw-HHF
20	104-6500	2	Drum-Brake
21	99-7297	2	Wheel And Tire ASM
21:1	98-4753	1	Wheel
21:2	99-7301	1	Tire
21:3	232-27	1	Stem-Valve
22	242-50	10	Nut-Lug
24	3272-42	2	Pin-Cotter
25	104-8301	4	Nut-Flange, NI

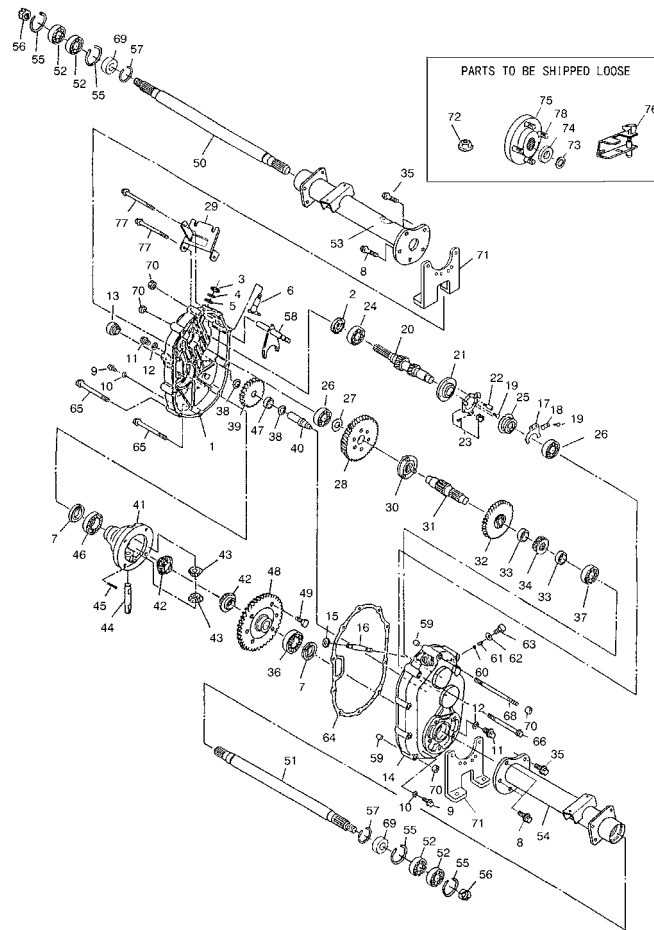
Ref	Part No.	Qty.	Description
26	2412-10	1	R-Clamp
27	3234-24	4	Screw-HHF
28	3256-49	2	Washer-Flat (Only On: 38053)
30	3296-2	2	Nut-Lock
32	3241-6	2	Screw-SQH
33	99-7122	1	Rivet-Annodized
37	3290-378	1	Tie-Cable
43	104-1656	2	Nut-Castle



## Transaxle Assembly No. 104-6898

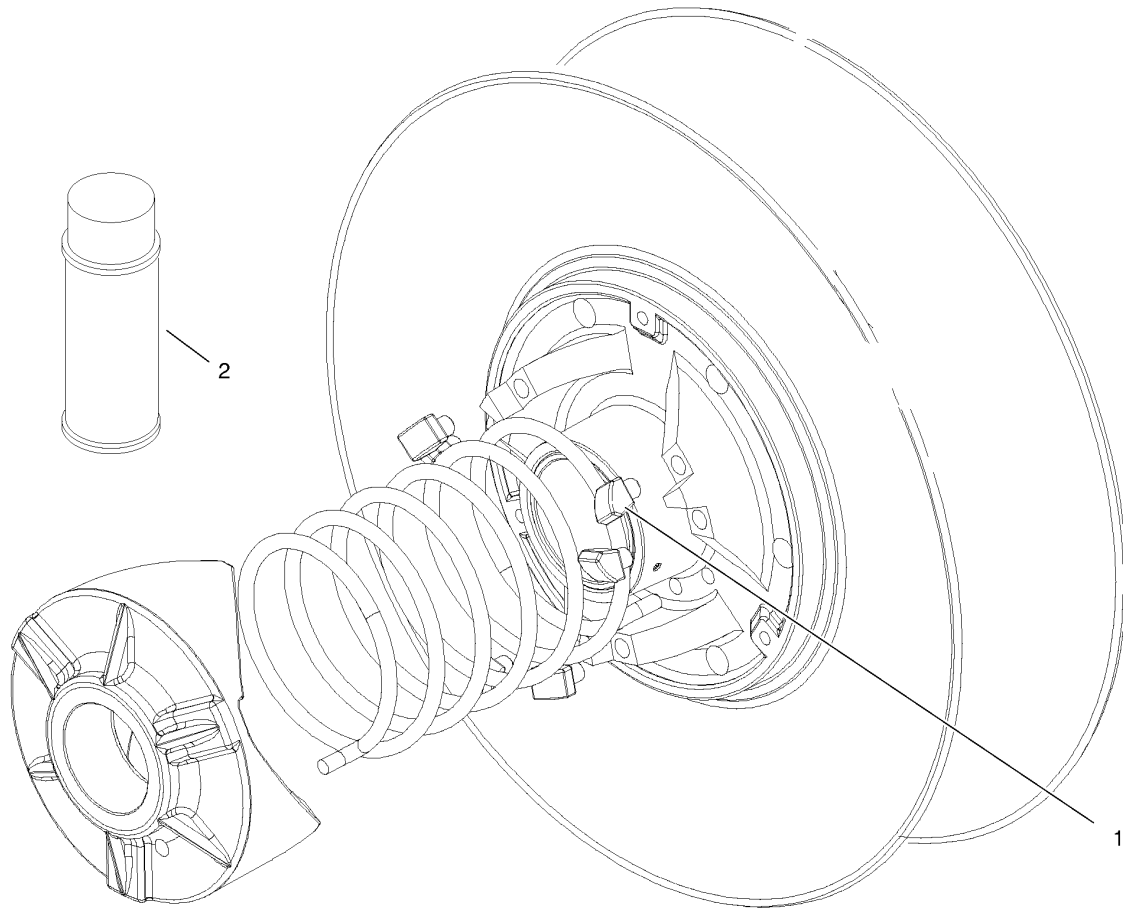
Ref	Part No.	Qty.	Description
1	104-1601	1	Case-LH, Complete
2	104-1602	1	Seal-Oil
3	104-1603	1	Seal-Oil
4	104-1604	1	Ring-Snap
5	104-1605	1	Spacer
6	104-1606	1	Shaft-Selector
7	104-1607	2	Seal-Oil
8	104-1608	4	Bolt-Flange
9	104-1609	2	Plug-Check, Oil
10	104-1610	2	Gasket
11	104-1611	2	Plug-Drain, Oil
12	104-1612	2	Gasket
13	104-1613	1	Plug-Filler, Oil
14	104-1614	1	Case-Complete, RH
15	104-1615	1	Seal-Oil
16	104-1616	1	Shaft-Governor
17	104-1617	1	Fork-Governor
18	104-1618	1	Stopper
19	104-1619	4	Screw And Washer ASM
20	104-7002	1	Shaft-Input, Complete
21	104-1621	1	Base-Governor
22	104-1622	1	Pin-Lock
23	104-1623	1	Unit-Plate, Governor
24	104-1624	1	Bearing-Ball

Ref	Part No.	Qty.	Description
25	104-1625	1	Sleeve-Governor
26	104-1626	2	Bearing-Ball
27	104-1627	1	Spacer
28	104-1628	1	Gear
29	104-1629	1	Bracket-Wire, Change
30	104-1630	1	Clutch-Pin
31	104-1631	1	Shaft-Center
32	104-1632	1	Gear-47
33	104-1633	2	Collar
34	104-1634	1	Gear
35	104-1635	6	Bolt-Flange
36	104-1636	1	Bearing-Ball
37	104-1637	1	Bearing-Ball
38	104-1638	2	Spacer
39	104-1639	1	Gear-34
40	104-1640	1	Shaft-Counter
41	104-1641	1	Case-Differential
42	104-1642	2	Gear-Side, Differential
43	104-1643	2	Pinion-Differential
44	104-1644	1	Shaft-Differential
45	104-1645	1	Pin
46	104-1646	1	Bearing-Ball
47	104-1647	1	Bearing-Needle
48	104-1648	1	Gear-62



## Transaxle Assembly No. 104-6898 (continued)

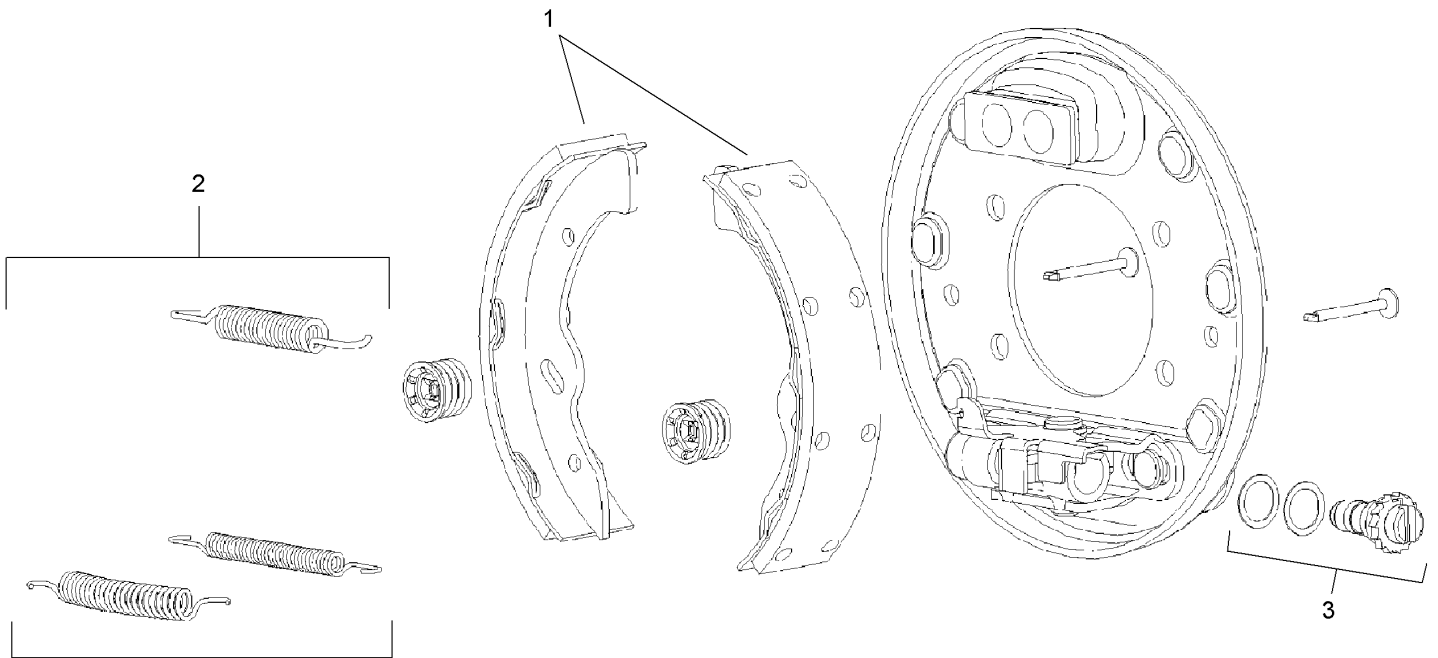
Ref	Part No.	Qty.	Description	Ref	Part No.	Qty.	Description
49	104-1649	6	Bolt	74	104-1674	2	Washer
50	104-1650	1	Shaft-Axle, LH	75	104-1675	2	Hub
51	104-1651	1	Shaft-Axle, RH	76	104-6860	1	Lever-Select
52	104-1652	4	Bearing-Ball	77	104-6869	2	Bolt-Flange
53	104-1653	1	Case-Axle, LH	78	104-8649	10	Stud
54	104-1654	1	Case-Axle, RH				
55	104-1655	4	Ring-Snap				
56	104-1656	2	Nut-Castle				
57	104-1657	2	Ring-Snap				
58	104-6870	1	Shaft-Shift, Complete				
59	104-1659	2	Knock-Pipe				
60	104-1660	1	Ball-Steel				
61	104-1661	1	Spring				
62	104-1662	1	Gasket				
63	104-1663	1	Bolt				
64	104-1664	1	Gasket				
65	104-1665	6	Bolt-Flange				
66	104-1666	1	Bolt-Flange				
68	104-6866	1	Bolt				
69	104-6867	2	Collar				
70	33004-00	11	Nut-HF				
71	104-1671	2	Bracket-Axle				
72	104-1672	1	Nut-Lock				
73	104-1673	2	Washer-Spring				



### Clutch Assembly No. 99-7104

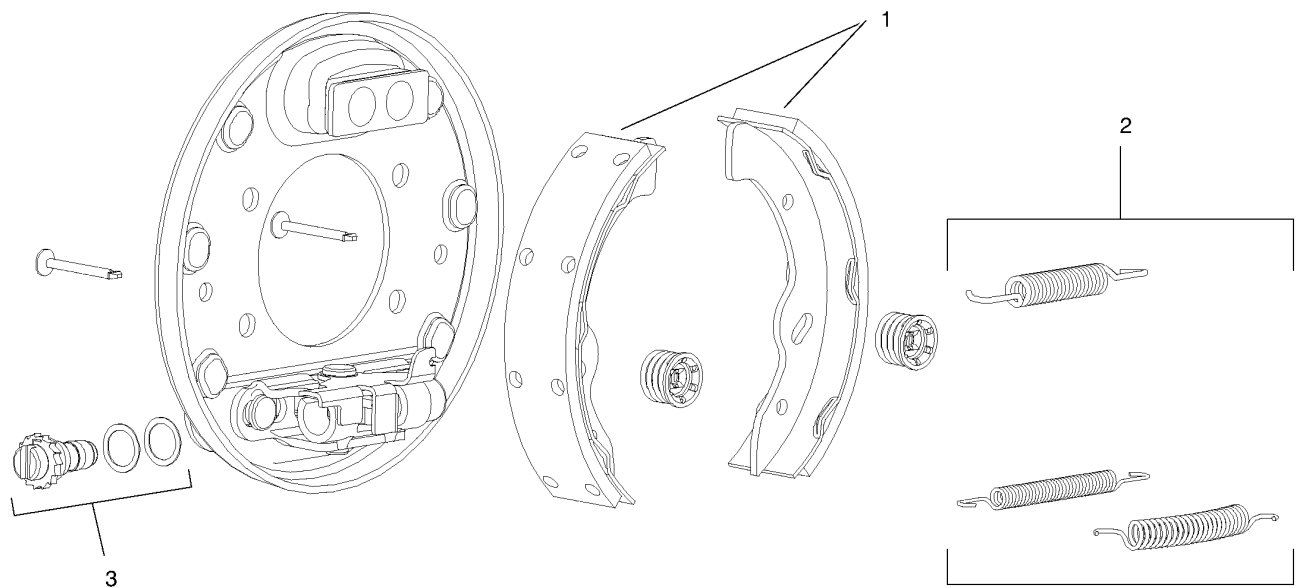
Ref	Part No.	Qty.	Description				
1	104-4256	6	Pivot Bolt And Nut Kit				
2	104-7011	1	Lubricant-Dry				





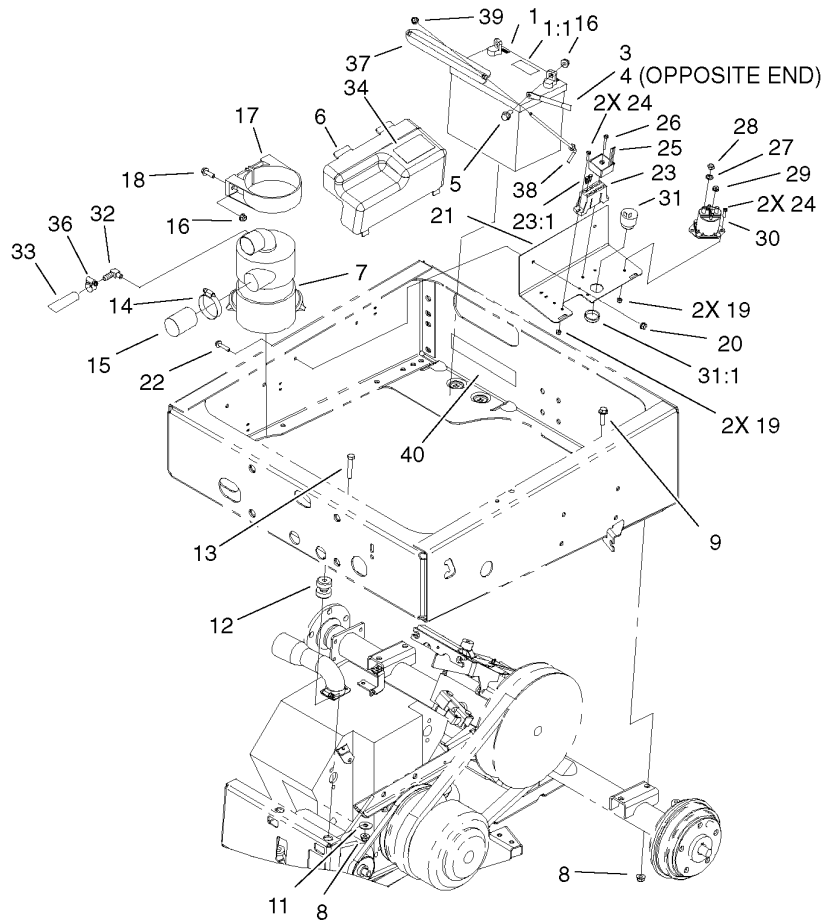
## Right Hand Brake Assembly No. 99-7136

Ref	Part No.	Qty.	Description	
1	104-1243	1	Shoe And Lining Kit	
2	104-1244	1	Spring Kit	
3	104-1246	1	RH Adjuster Kit	



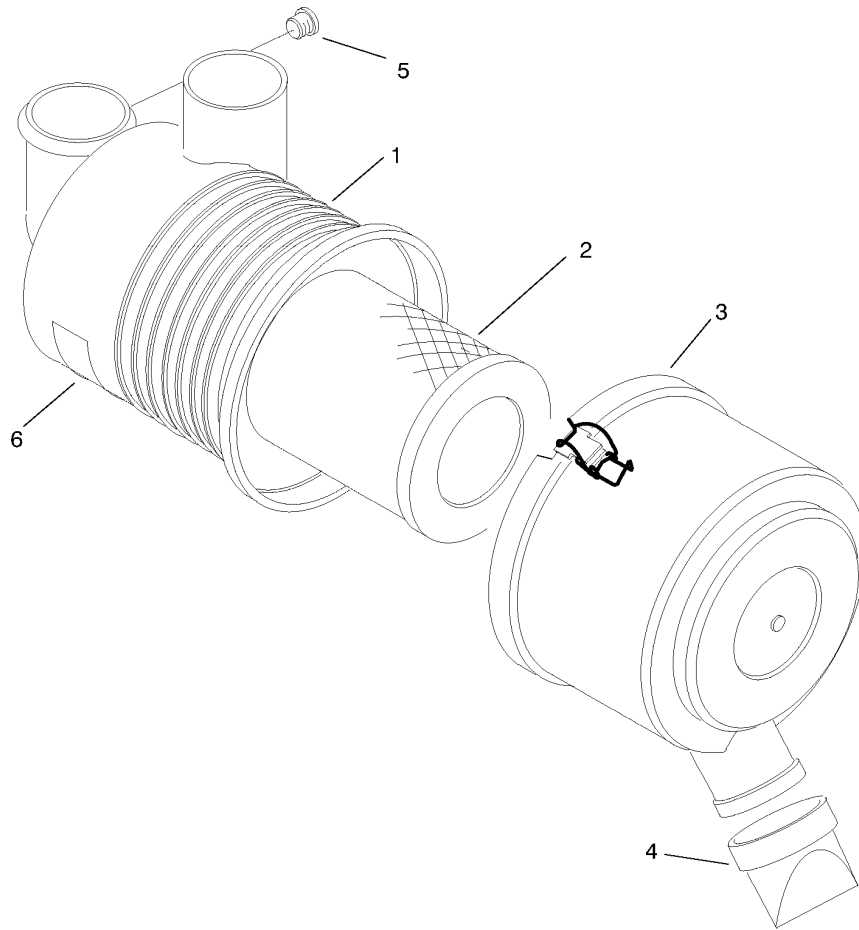
### Left Hand Brake Assembly No. 99-7137

Ref	Part No.	Qty.	Description
1	104-1243	1	Shoe And Lining Kit
2	104-1244	1	Spring Kit
3	104-1245	1	LH Adjuster Kit



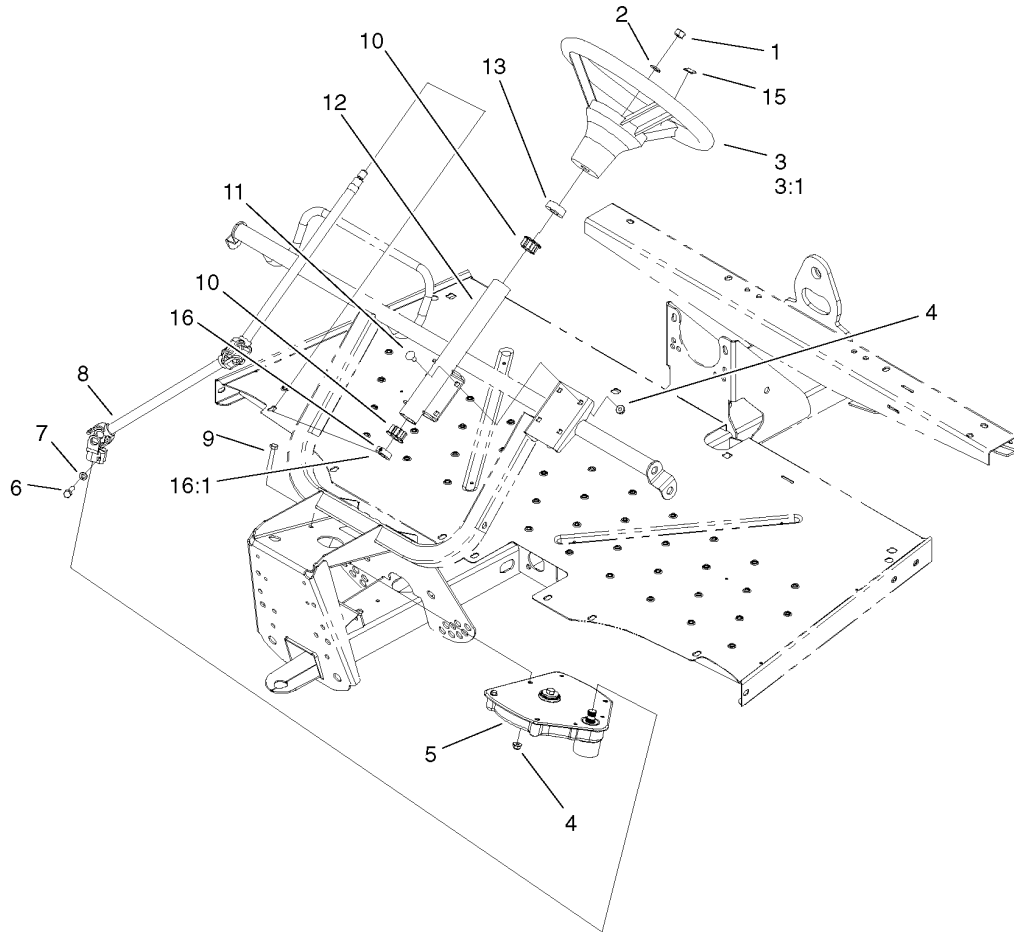
## Drivetrain Mount Assembly

Ref	Part No.	Qty.	Description	Ref	Part No.	Qty.	Description
1	99-1678	1	Battery (Dry)(Only On: 07253)	●23:2	100-4918	1	Diode
1	104-8162	1	Battery (Only On: 07253Tc)	24	32105-13	4	Screw-SHH
1:1	93-7276	1	Decal-Danger (Only On: 07253)	25	104-6927	1	Regulator
3	99-7415	1	Cable-Negative	26	32105-1	1	Screw-SHH
4	99-7404	1	Cable-Positive	27	3255-8	2	Washer-Lock
5	3234-5	2	Screw-HHF	28	3218-2	2	Nut-Jam
6	99-7325	1	Cover-Electrical	29	32149-8	2	Nut-Keps
7	99-7120	1	Filter-Air	30	99-7406	1	Solenoid
8	104-8301	6	Nut-Flange, NI	31	80-9330	1	Alarm-Audio
9	3234-24	4	Screw-HHF	31:1	104-5107	1	Nut-Plastic, Knurled
11	3256-35	2	Washer-Flat	32	99-7230	1	Fitting-90 DEG
12	95-2596	2	Mount-Iso	33	99-7842	1	Hose-Breather
13	323-10	2	Screw-HH	34	99-7352	1	Decal-Information
14	2412-130	1	Clamp-Hose	36	2412-36	2	Clamp-Hose
15	104-6528	1	Hose-Intake	37	92-5018	1	Clamp-Battery
16	104-8300	4	Nut-Flange, NI	38	95-4042	2	Hook-Retain, Battery
17	95-5806	1	Bracket-Mounting	39	104-7201	2	Nut-HF
18	3234-17	2	Screw-HHF	40	104-7102	1	Pad-Battery
19	3296-2	5	Nut-Lock				
20	32128-32	2	Nut-HHF				
21	99-7051-03	1	Mount-Component				
22	3234-21	2	Screw-Cap				
23	99-7434	1	Harness-Wire, Main				
23:1	218-578	3	Fuse-10 Amp				



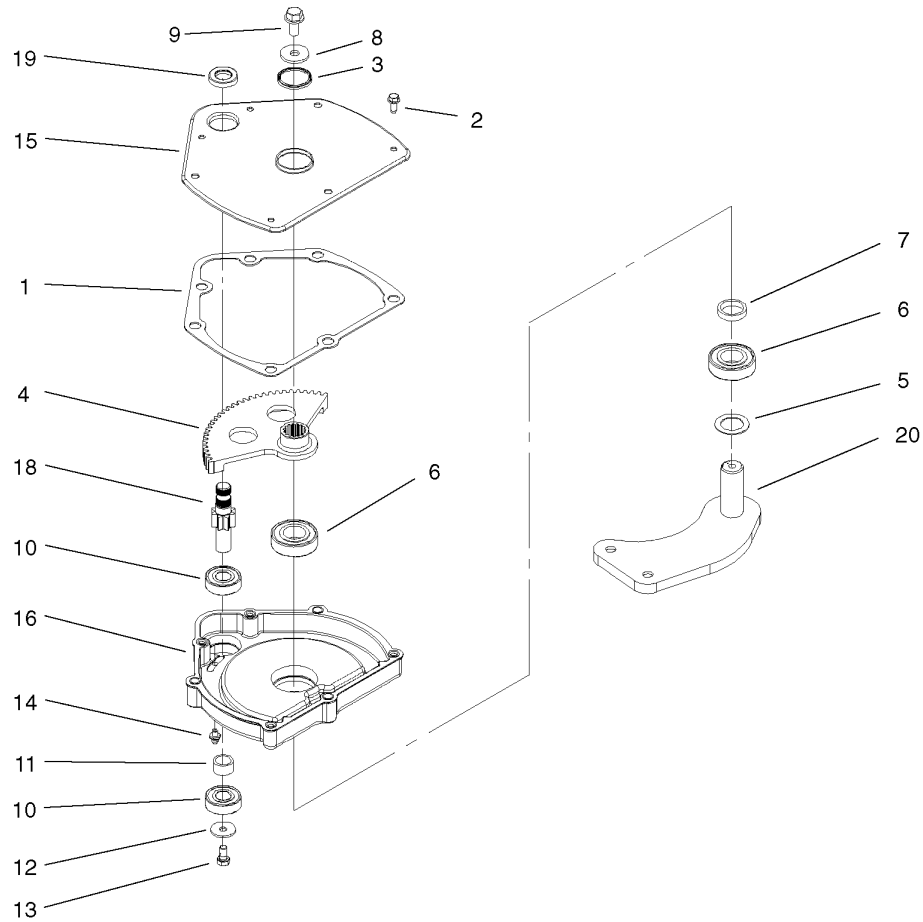
### Air Cleaner Assembly No. 99-7120

Ref	Part No.	Qty.	Description
①		1	Body
2	93-2195	1	Filter
3	94-3652	1	Cover ASM
4	87-9400	1	Valve-Vacuator
⑤		1	Plug
⑥		1	Marking



## Upper Steering Assembly

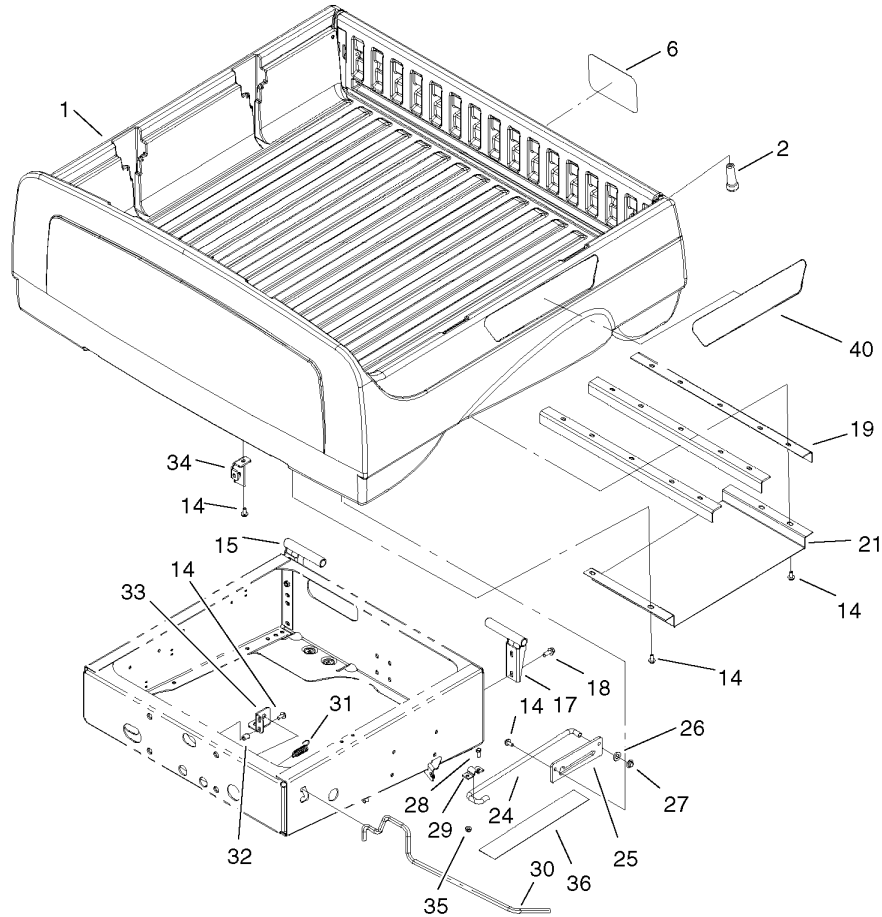
Ref	Part No.	Qty.	Description				
1	3277-1	1	Nut-Hex				
2	48-8070	1	Washer-Lock				
3	98-1471	1	Wheel-Steering				
3:1	98-1468	1	Cover-Wheel, Steering				
4	104-8300	7	Nut-Flange, NI				
5	99-7660	1	Steering Gearbox ASM				
6	48-7730	1	Screw-HH				
7	3253-4	1	Washer-Lock				
8	99-7653	1	Shaft-Steering				
9	322-10	3	Screw-HH				
10	93-1146	2	Bushing-Upper, Steering				
11	3230-1	4	Bolt-CARR				
12	99-7651-03	1	Column-Steering				
13	21-9260	1	Cover-Dust				
15	98-1459	1	Decal				
16	111383	1	Collar				
16:1	3245-32	1	Screw-HSH				



### Steering Gearbox Assembly No. 99-7660

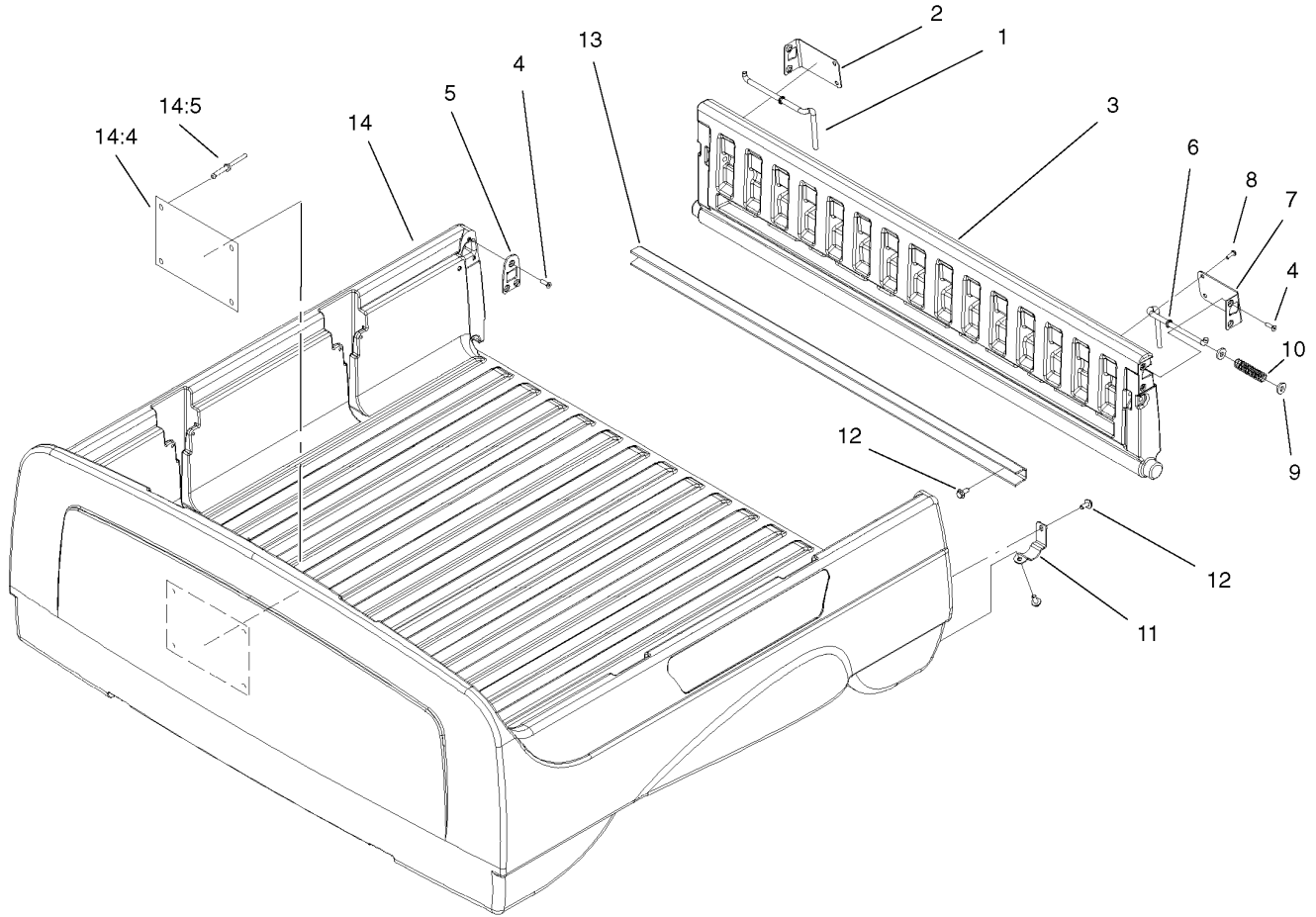
Ref	Part No.	Qty.	Description
1	94-2135	1	Gasket
2	32144-10	4	Screw-HWH
3	103118	1	Seal
4	99-7843	1	Sector-Gear
5	3256-42	1	Washer-Flat
6	251-82	2	Bearing-Ball
7	94-2218	1	Spacer-Shaft, Output
8	104-6563	1	Washer-Stepped
9	104-7156	1	Screw-HHF
10	38-7820	2	Bearing-Ball
11	94-2217	1	Spacer-Shaft, Input
12	1-613235	1	Washer
13	98-3498	1	Screw-HH
14	302-5	1	Fitting-Grease
15	99-7656-03	1	Cover-Housing, Steering
16	99-7658	1	Housing-Steering
18	99-7650	1	Gear-Pinion
19	99-7657	1	Seal-Oil
20	99-7601-03	1	Arm-Pitman

Ref	Part No.	Qty.	Description



## Box Assembly

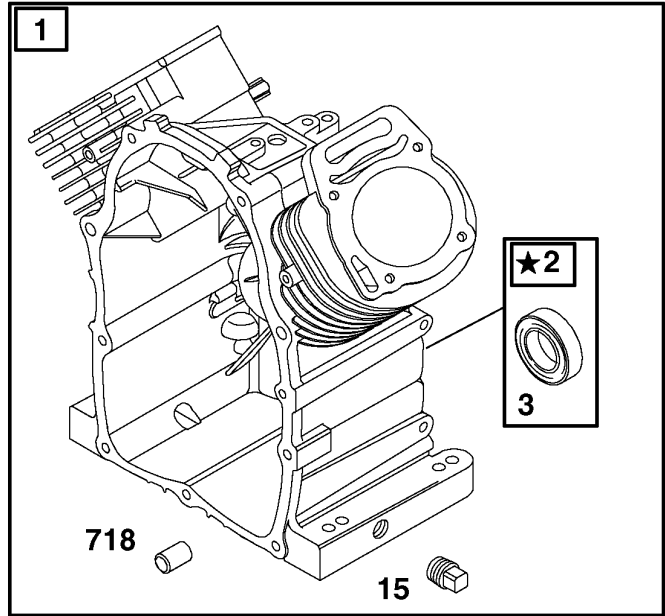
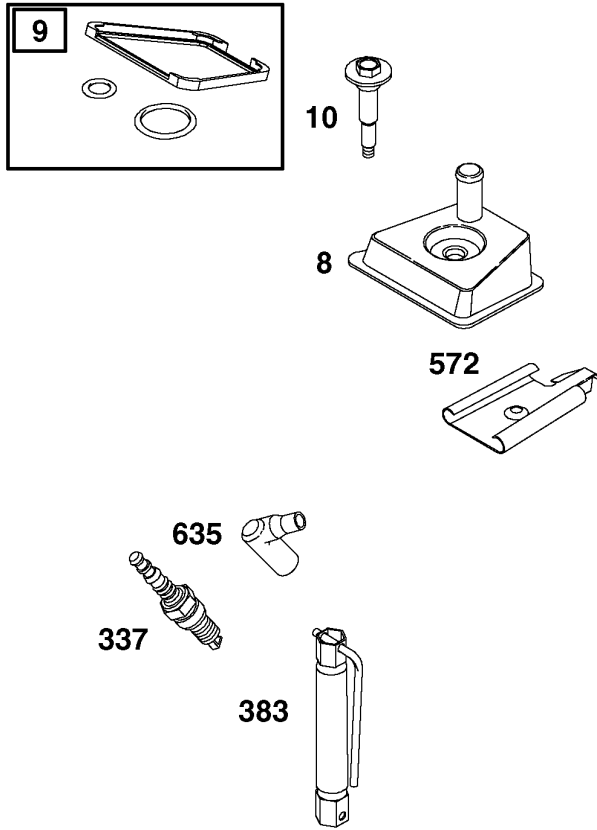
Ref	Part No.	Qty.	Description
1		1	Box And Tailgate ASM
2	99-7984	2	Knob-Soft Grip, Push-On
6	104-7213	1	Decal
14	3234-5	18	Screw-HHF
15	99-7309-03	1	RH Pivot Bracket ASM
17	99-7308-03	1	LH Pivot Bracket ASM
18	3234-11	4	Screw-HHF
19	99-7864-03	3	Brace-Box
21	99-7870	1	Shield-Heat
24	99-7895	1	Rod-Prop
25	99-7894	1	Bracket-Rod, Prop
26	3256-26	1	Washer-Flat
27	32112-14	1	Nut-Push
28	3234-17	2	Screw-HHF
29	99-7896	1	Bracket-U, Prop Rod
30	99-7745	1	Rod-Latch
31	5-7290	1	Spring-Tension
32	32148-7	2	Nut-Insert
33	99-7744-03	1	Bracket-Latch
34	99-7742-03	1	Hook-Latch, RH
35	104-8300	1	Nut-Flange, NI
36	104-6859	1	Shield-Heat
40	104-7265	2	Decal



### Box and Tailgate Assembly

Ref	Part No.	Qty.	Description
1	99-7860	1	Rod-Latch, Right
2	99-7858	1	Bracket-Tailgate Latch, Right
3	99-7893	1	Tailgate ASM
4	99-7334	10	Screw
5	99-7852	2	Plate-Striker
6	99-7859	1	Rod-Latch, Left
7	99-7857	1	Bracket-Tailgate Latch, Left
8	99-7335	4	Screw
9	99-7861	4	Washer-Latch
10	61-8880	2	Spring
11	99-7286	2	Bracket-Pivot, Tailgate
12	3234-5	10	Screw-HHF
13	99-7867	1	Channel-Tailgate
14	104-7203	1	Box ASM
14:4	99-7954	1	Decal-No Riders
14:5	3290-415	4	Rivet





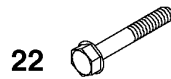
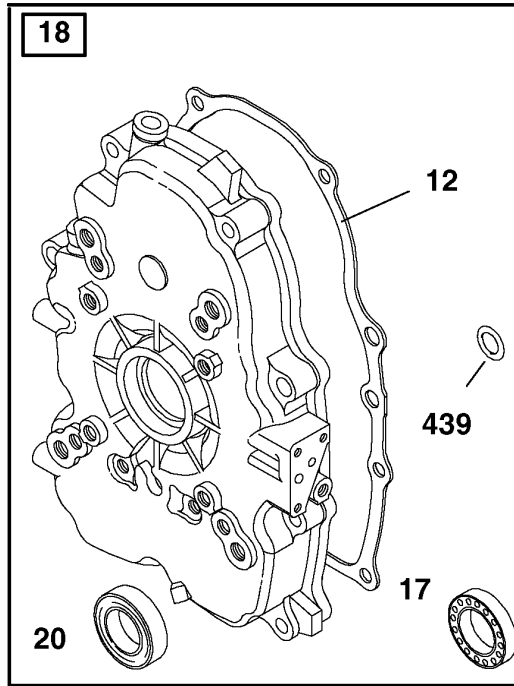
1019 LABEL KIT

Assemblies include all parts shown in frames.

## Cylinder Assembly Briggs and Stratton Engine 303440-1320-E1

Ref	Part No.	Qty.	Description
1	692178	1	Cylinder ASM
2	808534	1	Bushing / Seal Kit
3	805101	1	Seal-Oil
8	808984	1	Breather ASM
9	809094	1	Gasket-Breather
10	690751	1	Screw
15	690946	1	Plug-Drain, Oil
337	491055	1	Plug-Spark
383	19374	1	Wrench-Spark Plug
572	690686	1	Baffle-Breather
635	692076	1	Boot-Spark Plug
718	690684	1	Pin-Locating
1019	808036	1	Label Kit

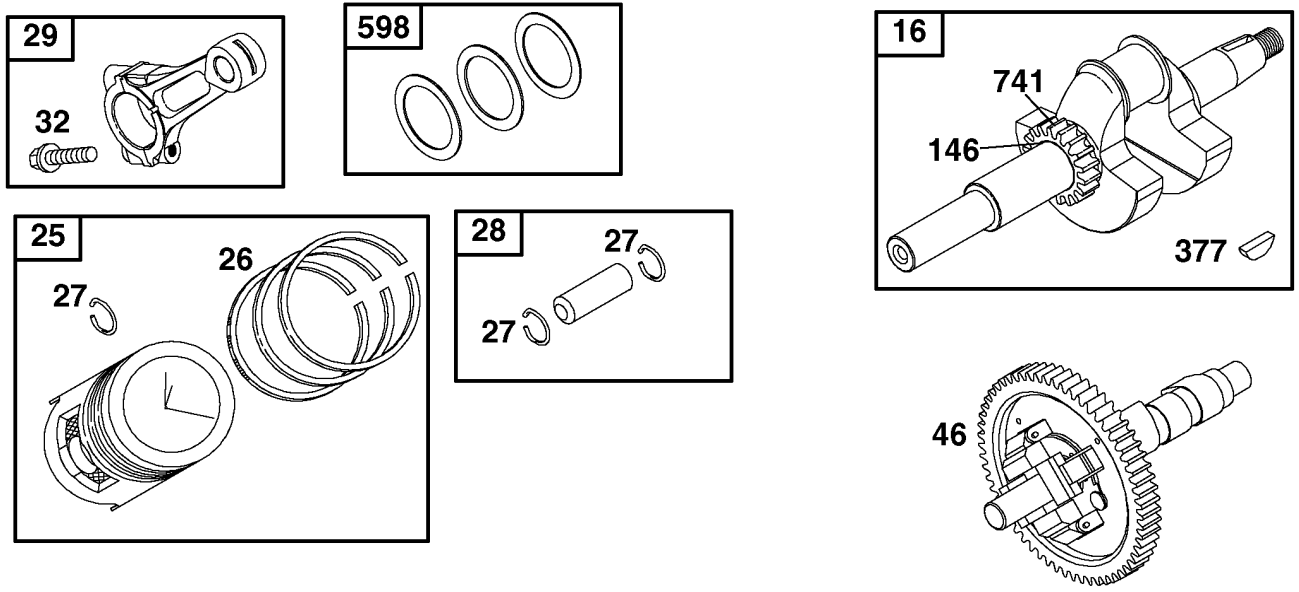
--	--	--	--



Assemblies include all parts shown in frames.

## Crankcase Assembly Briggs and Stratton Engine 303440-1320-E1

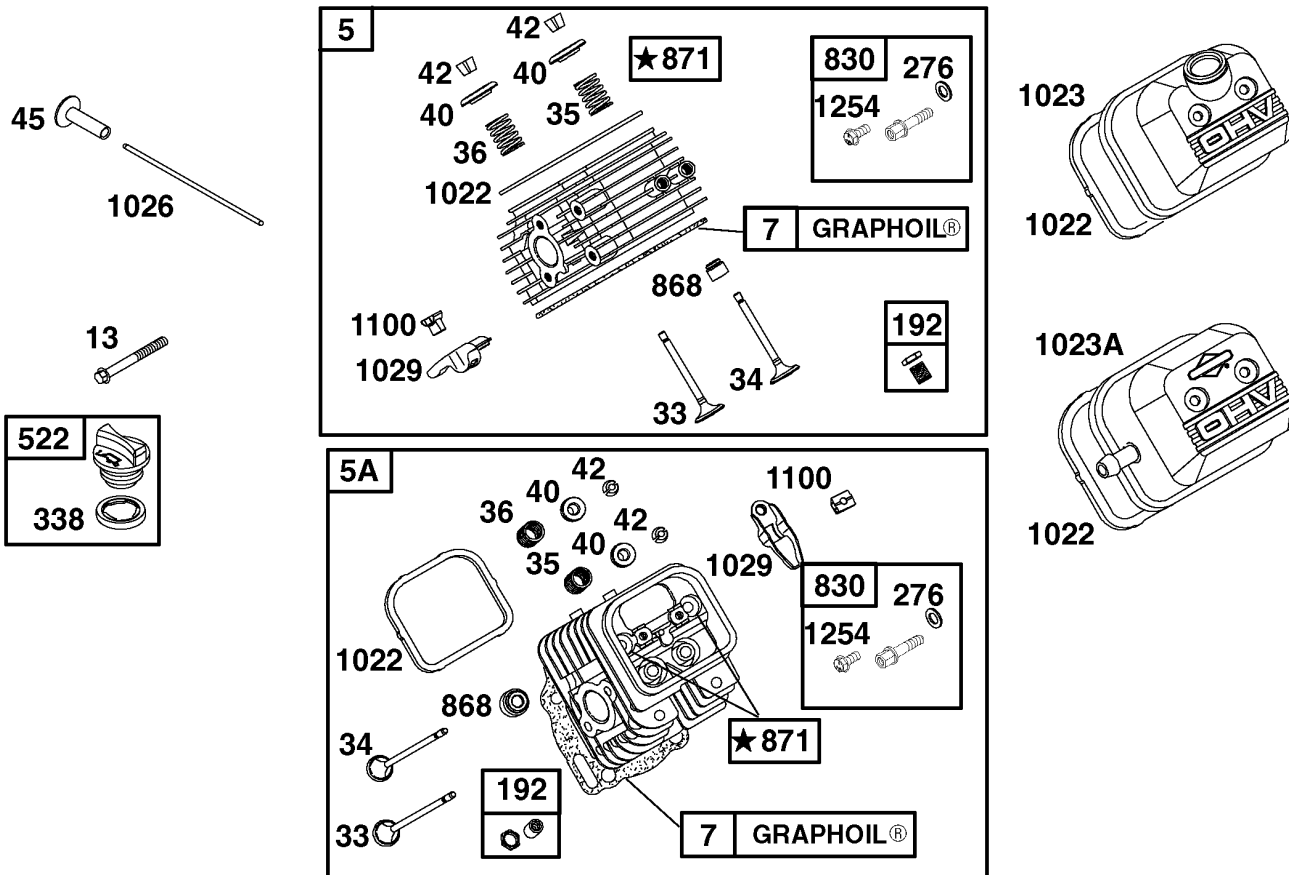
Ref	Part No.	Qty.	Description				
③⑥12	691684	1	Gasket-Crankcase				
⑥17	690752	1	Bearing-Ball				
⑥18	808508	1	Crankcase Cover				
③⑥20	805049	1	Seal-Oil				
⑥22	692540	1	Screw				
③⑥439	692154	1	Seal-O Ring				



Assemblies include all parts shown in frames.

### Crankshaft Assembly Briggs and Stratton Engine 303440-1320-E1

Ref	Part No.	Qty.	Description
16	692163	1	Crankshaft
25	807619	1	Piston ASM (Standard)
6	807807	1	Piston ASM (.010 Oversize)
6	807809	1	Piston ASM (.020 Oversize)
6	807811	1	Piston ASM (.030 Oversize)
26	807620	1	Ring Set (Standard)
6	807808	1	Ring Set (.010 Oversize)
6	807810	1	Ring Set (.020 Oversize)
6	807812	1	Ring Set (.030 Oversize)
27	690683	1	Lock-Pin, Piston
28	807621	1	Pin-Piston
29	807900	1	Rod-Connecting (Standard)
6	807809	1	Piston ASM (.020 Oversize)
32	690698	1	Screw
46	692157	1	Camshaft
146	691639	1	Key-Timing
377	808095	1	Key-Woodruff
598	807625	1	Shim-Play, End
741	691530	1	Gear-Timing

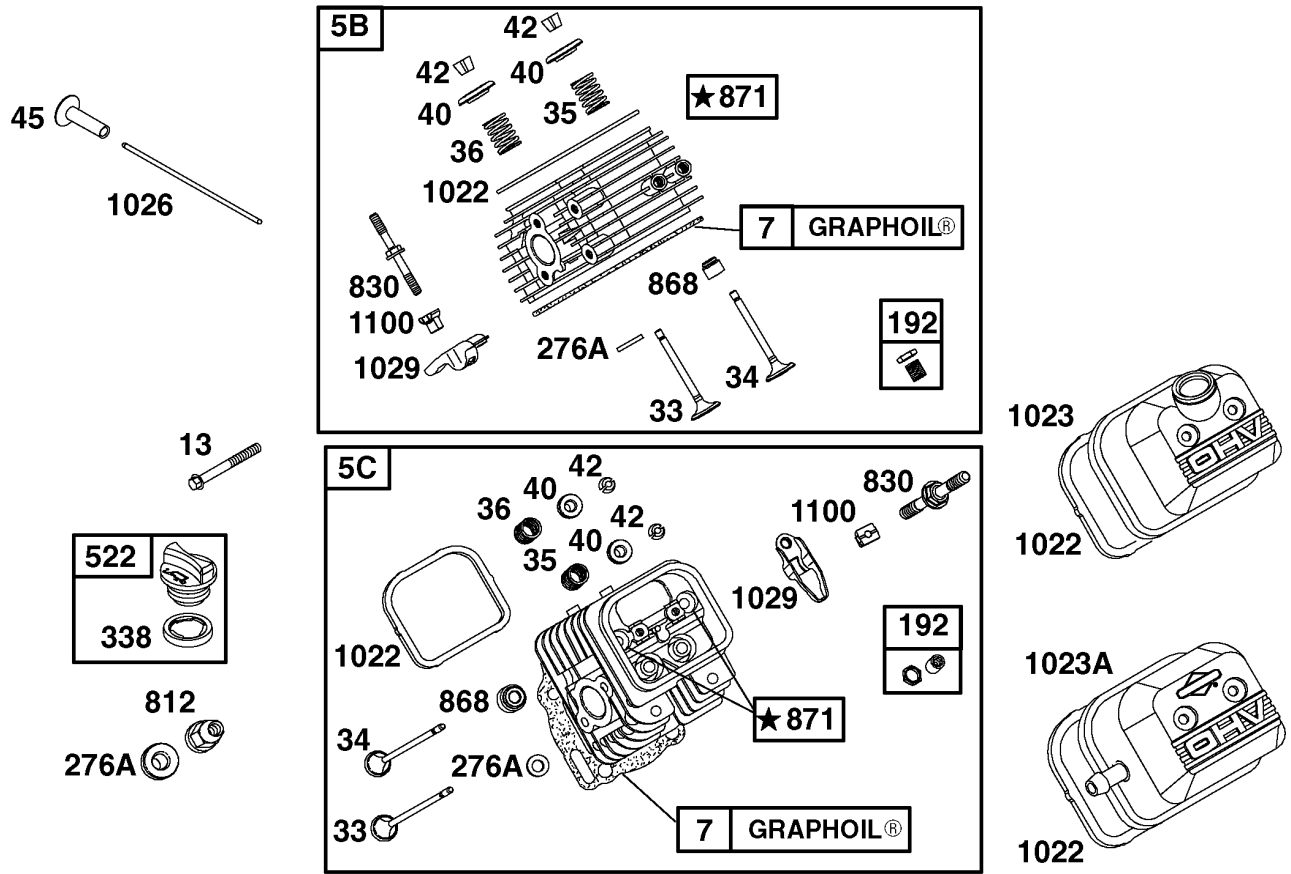


Assemblies include all parts shown in frames.

## Cylinder Head Assembly Briggs and Stratton Engine 303440-1320-E1

Ref	Part No.	Qty.	Description
5	809200	1	Head-Cylinder
5A	809201	1	Head-Cylinder
③④7	806085	1	Gasket-Head, Cylinder
13	692059	1	Screw
33	807681	1	Valve-Exhaust
34	807680	1	Valve-Intake
35	692084	1	Spring-Valve
36	692084	1	Spring-Valve
40	692058	1	Retainer-Valve
42	807683	1	Keeper-Valve
45	690977	1	Valve-Tappet
192	807623	1	Adjuster-Arm, Rocker
276	807085	1	Washer-Sealing
③④338	691312	1	Gasket-Dipstick
522	491832	1	Plug-Dipstick / Fill
830	809157	1	Stud-Arm, Rocker
③④868	691963	1	Seal-Valve
③871	692057	1	Bushing-Guide, Valve
③④1022	806039	1	Gasket-Cover, Rocker
1023	690758	1	Cover-Valve
1023A	691558	1	Cover-Valve
1026	691836	1	Rod-Push
	691758	1	Rod-Push
1029	691543	1	Arm-Rocker

Ref	Part No.	Qty.	Description
1100	690973	1	Pivot-Arm, Rocker
1254	807084	1	Screw

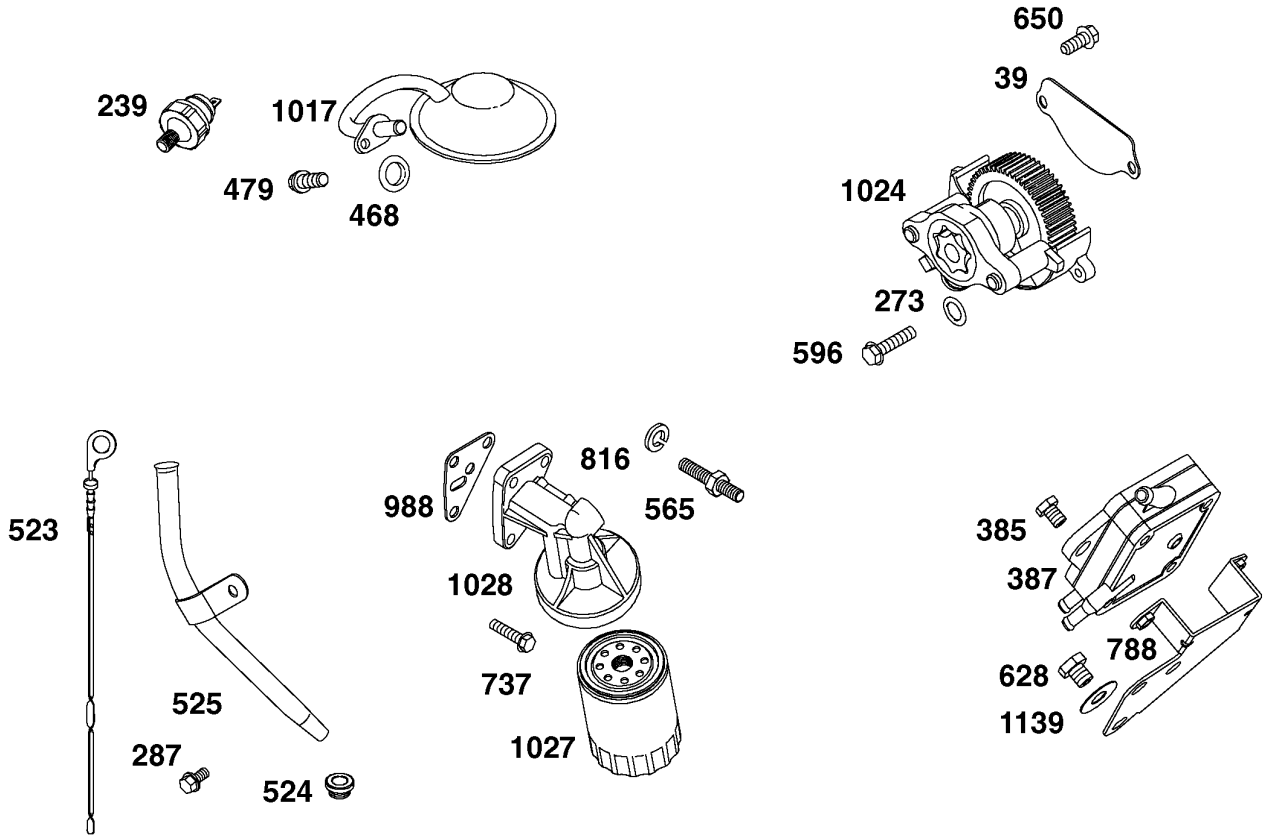


Assemblies include all parts shown in frames.

## Cylinder Head Assembly Briggs and Stratton Engine 303440-1320-E1

Ref	Part No.	Qty.	Description
5B	808381	1	Head-Cylinder (Cylinder No. 1)
5C	808382	1	Head-Cylinder (Cylinder No. 2)
47	806085	1	Gasket-Head, Cylinder
13	692059	1	Screw
33	807681	1	Valve-Exhaust
34	807680	1	Valve-Intake
35	692084	1	Spring-Valve
36	692084	1	Spring-Valve
40	692058	1	Retainer-Valve
42	807683	1	Keeper-Valve
45	690977	1	Valve-Tappet
192	807623	1	Adjuster-Arm, Rocker
276A	691766	1	Washer-Sealing
338	691312	1	Gasket-Dipstick
522	491832	1	Plug-Dipstick / Fill
812	692055	1	Nut
830	691544	1	Stud-Rocker Arm
868	691963	1	Seal-Valve
871	692057	1	Bushing-Guide, Valve
1022	806039	1	Gasket-Cover, Rocker
1023	690758	1	Cover-Valve

Ref	Part No.	Qty.	Description
1023A	691558	1	Cover-Valve
1026	691836	1	Rod-Push
	691758	1	Rod-Push
1029	691543	1	Arm-Rocker
1100	690973	1	Pivot-Arm, Rocker

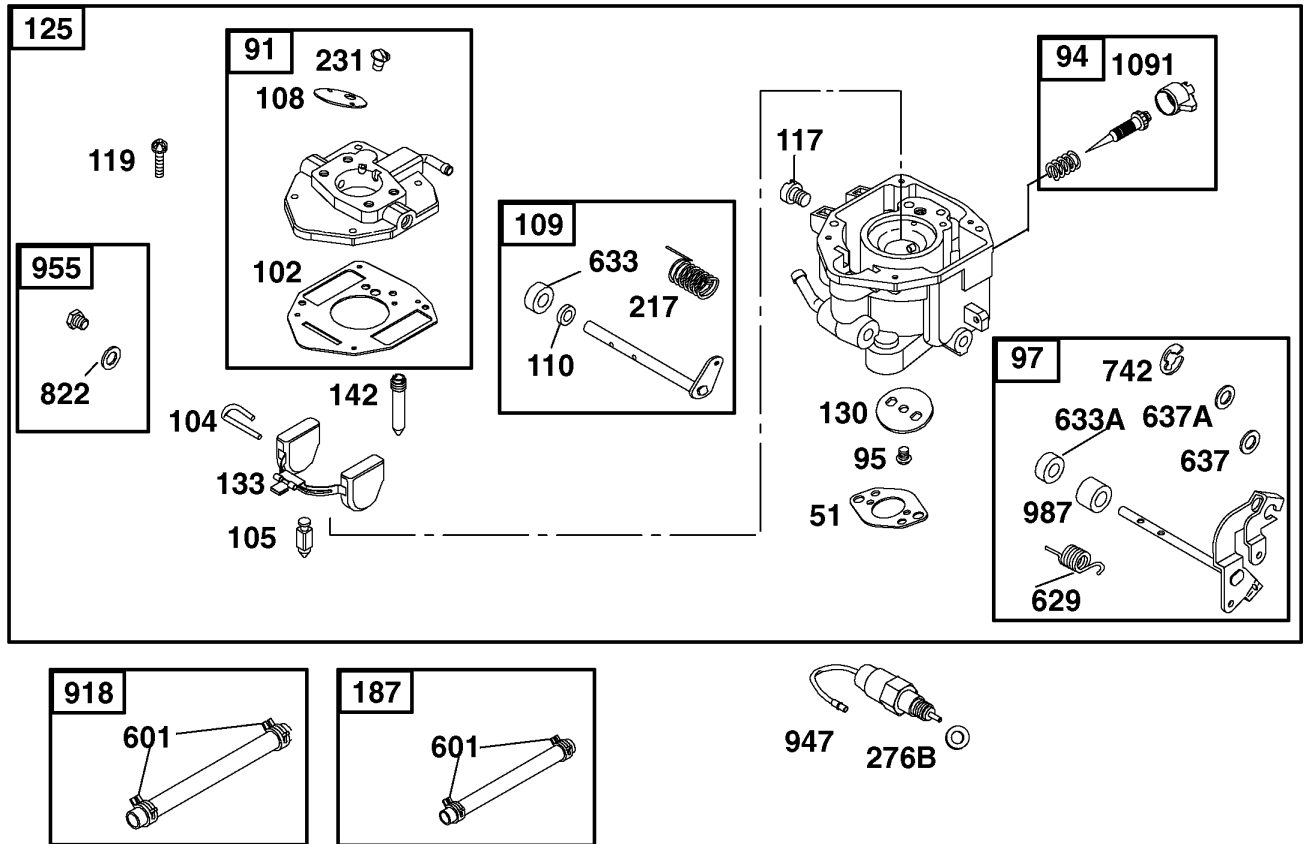


Assemblies include all parts shown in frames.

## Oil Filter, Tube and Pump Assembly Briggs and Stratton Engine 303440-1320-E1

Ref	Part No.	Qty.	Description
39	690745	1	Deflector-Oil
239	690233	1	Switch-Pressure, Oil
273	690681	1	Seal-O Ring
287	692062	1	Screw
385	807084	1	Screw
387	808656	1	Pump-Fuel
468	690690	1	Seal-O Ring
479	692537	1	Screw
523	693175	1	Dipstick
524	693172	1	Seal-Tube, Dipstick
525	693173	1	Tube-Dipstick
565	690682	1	Stud
596	691492	1	Screw
628	806660	1	Screw
650	692539	1	Screw
737	690679	1	Screw
788	691559	1	Bracket-Pump, Fuel
816	690706	1	Washer
988	692063	1	Gasket-Adapter, Oil Filter
1017	690900	1	Screen-Pump, Oil
1024	693185	1	Pump-Oil
1027	492932	1	Filter-Oil
1028	808235	1	Adapter-Filter, Oil
1139	806497	1	Washer

--	--	--	--

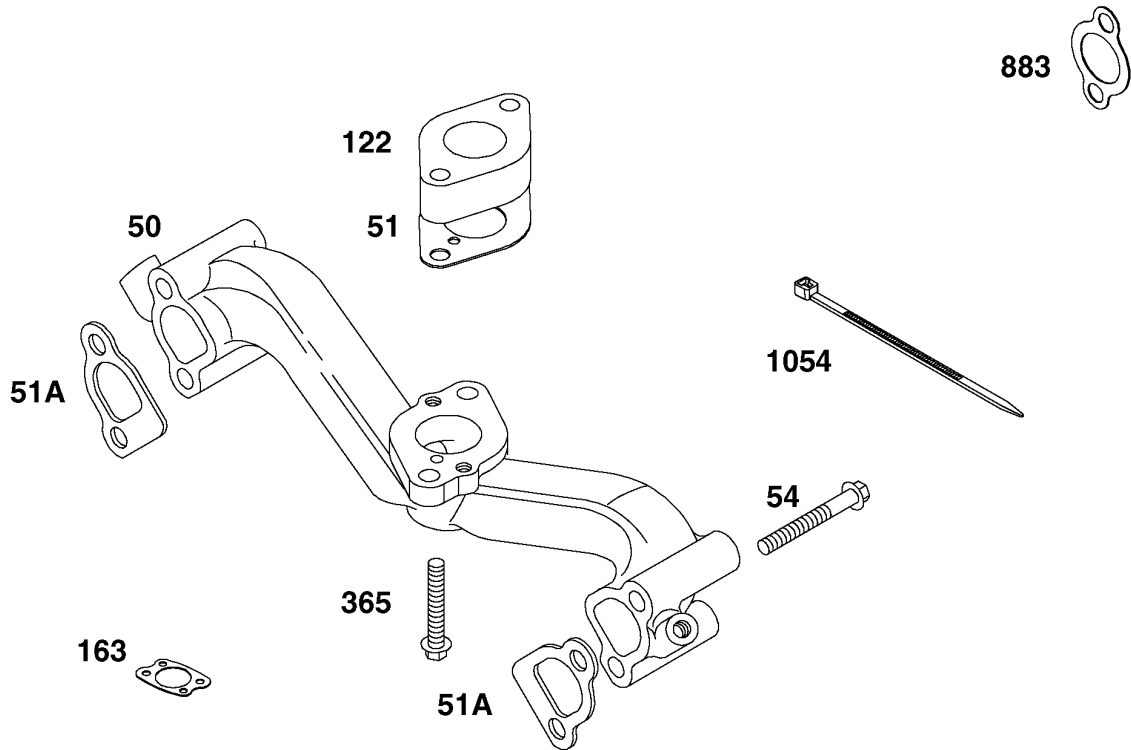


Assemblies include all parts shown in frames.

## Carburetor Assembly Briggs and Stratton Engine 303440-1320-E1

Ref	Part No.	Qty.	Description
551	691694	1	Gasket-Intake
91	808964	1	Body-Carburetor, Upper
94	808257	1	Idle Mixture Kit
95	690718	1	Screw
97	809095	1	Shaft-Throttle
102	692077	1	Gasket-Body, Carburetor
104	690723	1	Pin-Hinge, Float
105	692078	1	Valve-Needle, Float
108	690719	1	Valve-Choke
109	808962	1	Shaft-Choke
110	806861	1	Washer
117	806859	1	Jet-Main
119	690720	1	Screw
125	809152	1	Carburetor
130	690726	1	Valve-Throttle
133	806961	1	Float-Carburetor
142	806860	1	Nozzle-Carburetor
187	691050	1	Line-Fuel (Cut To Required Length)
217	806862	1	Spring-Return, Choke
231	690718	1	Screw
276B	806137	1	Washer-Sealing
601	691038	1	Clamp-Hose

Ref	Part No.	Qty.	Description
629	807004	1	Discontinued
633	807003	1	New Rider Loose Parts Pkg A-81 (23-08Bx01 & 23-08Bp02)
633A	690722	1	Seal-Shaft, Choke / Throttle
637	806999	1	Washer (Throttle Shaft)
637A	807000	1	Discontinued
742	807001	1	Retainer-E Ring
822	690724	1	Seal-O Ring
918	393815	1	Line-Vacuum
947	692094	1	Solenoid-Fuel
955	807723	1	Plug-Carburetor
987	807002	1	New Rider Loose Parts Pkg A-111 (23-11Bp02)
1091	691516	1	Cap-Limiter

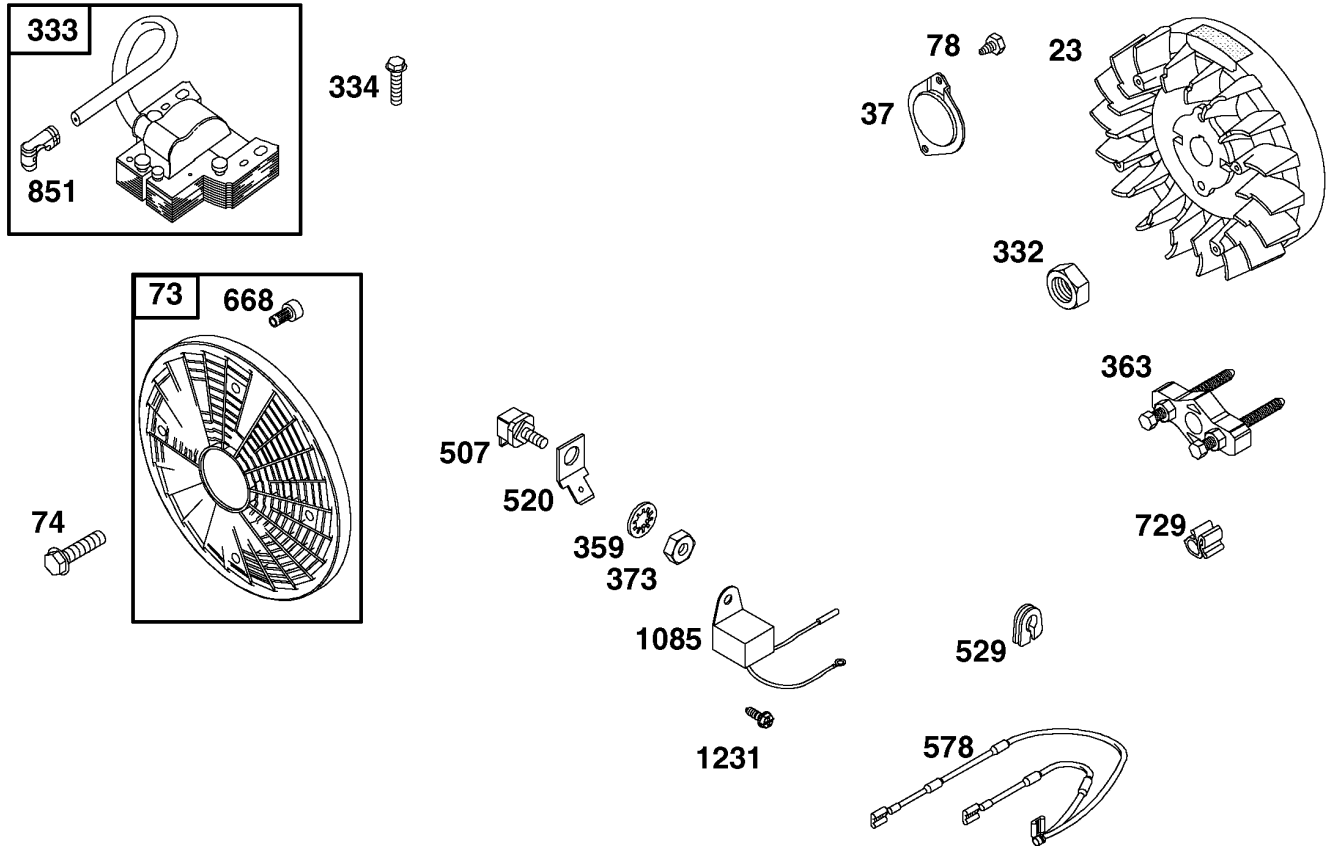


Assemblies include all parts shown in frames.

# Intake Manifold Assembly Briggs and Stratton Engine 303440-1320-E1

Ref	Part No.	Qty.	Description
⑥50	690754	1	Manifold-Intake
③⑤51	691694	1	Gasket-Intake
③④51A	692035	1	Gasket-Intake
⑥54	690676	1	Screw
⑥122	690691	1	Spacer-Carburetor
③⑥163	692081	1	Gasket-Cleaner, Air
⑥365	690711	1	Screw
③④883	691613	1	Gasket-Exhaust
⑥1054	280275	1	Tie-Cable



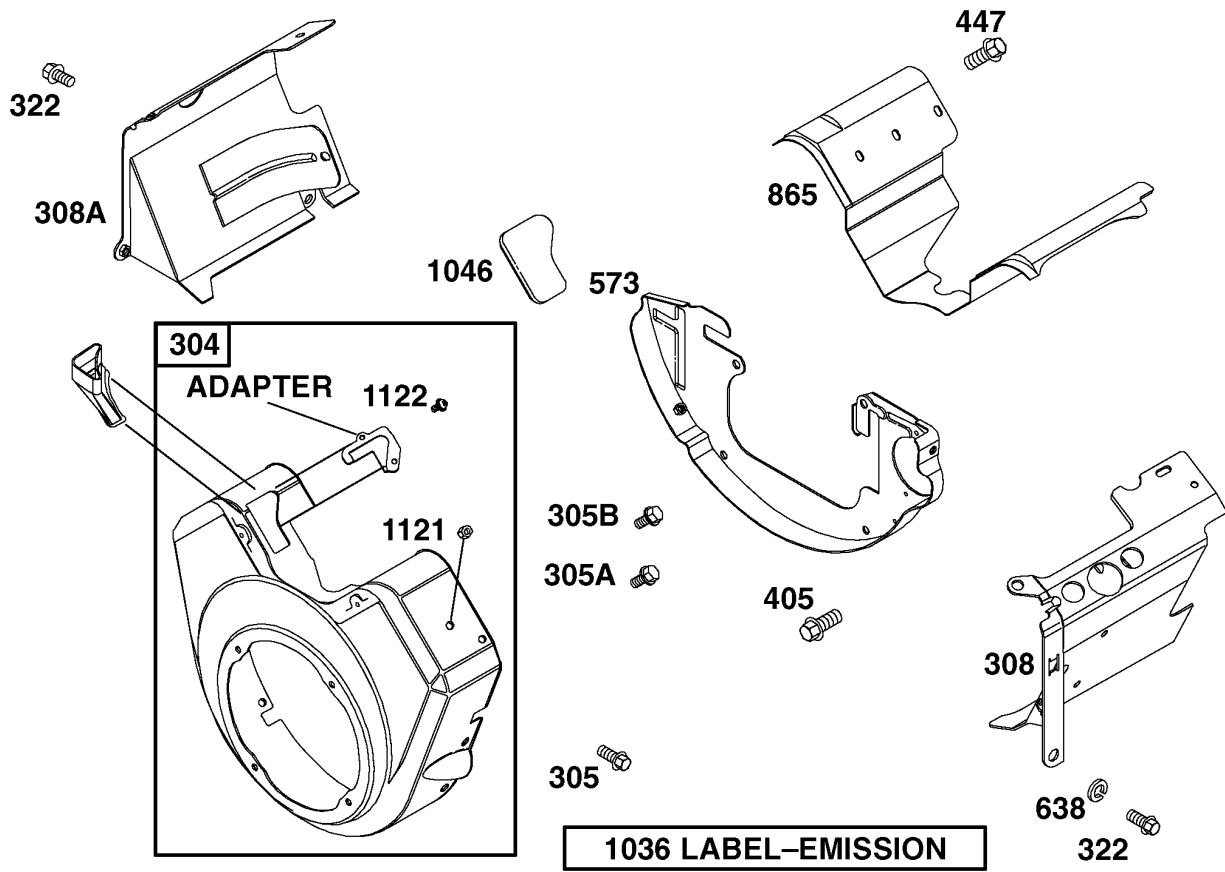



Assemblies include all parts shown in frames.

# Flywheel Assembly Briggs and Stratton Engine 303440-1320-E1

Ref	Part No.	Qty.	Description
23	690889	1	Flywheel
37	690715	1	Flywheel Guard
73	494439	1	Screen-Rotating
74	691647	1	Screw
78	690688	1	Screw
332	690887	1	Nut
333	492341	1	Armature-Magneto
334	692066	1	Screw
359	691077	1	Washer
363	19203	1	Puller-Flywheel
373	691612	1	Nut
507	691972	1	Insulator
520	691084	1	Terminal-Ground
529	690744	1	Grommet
578	692319	1	Wire ASM
668	691500	1	Spacer
729	690586	1	Clip-Wire
851	493880	1	Terminal-Spark Plug
1085	809093	1	Module-Ignition
1231	692067	1	Screw

--	--	--	--

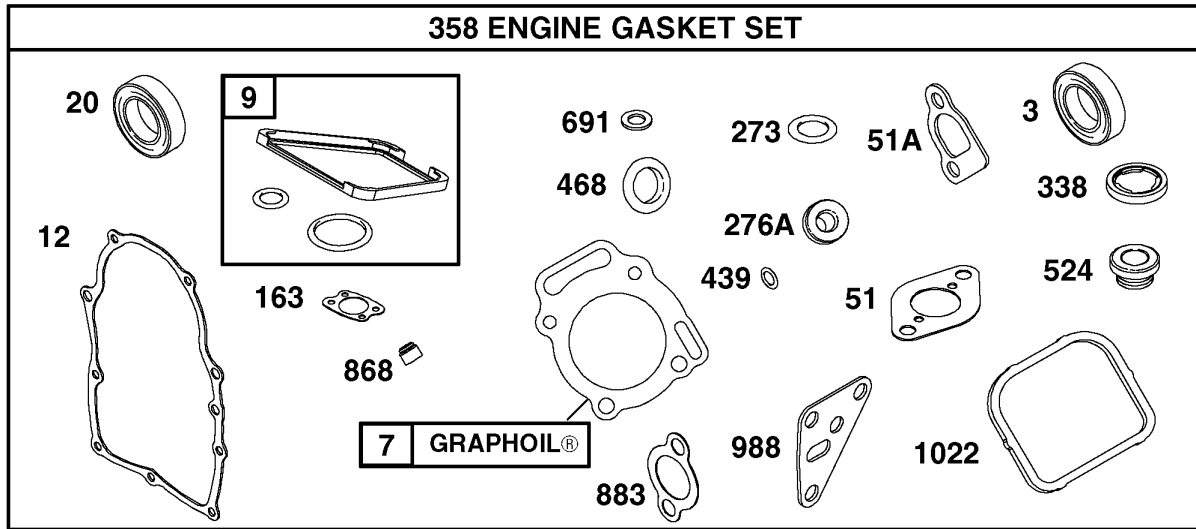


Assemblies include all parts shown in frames.

## Blower Housing Assembly Briggs and Stratton Engine 303440-1320-E1

Ref	Part No.	Qty.	Description
③304	808408	1	Housing-Blower
③305	692539	1	Screw
③305A	692056	1	Screw
③305B	692062	1	Screw
③308	806547	1	Cover-Head, Cylinder (Cyl. #1)
③308A	806546	1	Cover-Head, Cylinder (Cyl. #2)
③322	692539	1	Screw
③405	692539	1	Screw
③447	692539	1	Screw
③573	690902	1	Plate-Back
③638	691551	1	Washer
③865	690750	1	Cover-Guide, Air
③1036	806881	1	Decal-Emission
③1046	692082	1	Plug-Housing, Blower
③1121	810056	1	Nut
③1122	93410	1	Screw

--	--	--	--

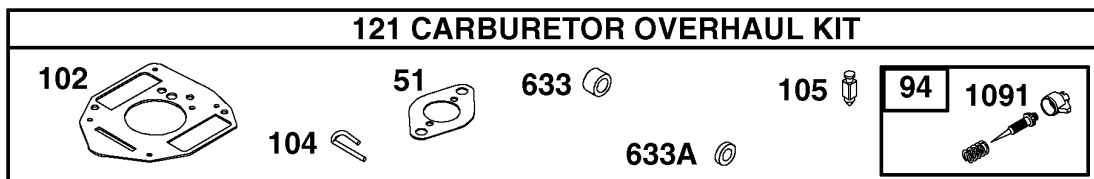
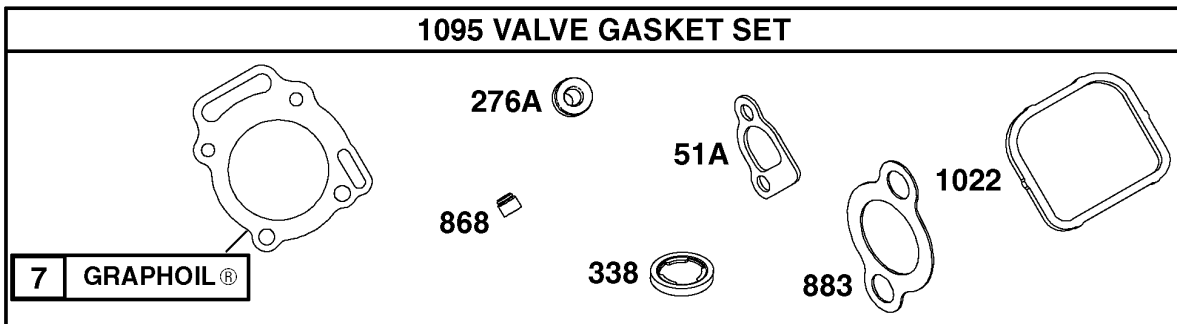


Assemblies include all parts shown in frames.

## Gasket Assembly Briggs and Stratton Engine 303440-1320-E1

Ref	Part No.	Qty.	Description
363	805101	1	Seal-Oil
347 6	806085	1	Gasket-Head, Cylinder
369	809094	1	Gasket-Breather
3612	691684	1	Gasket-Crankcase
3620	805049	1	Seal-Oil
351 6	691694	1	Gasket-Intake
3451A 6	692035	1	Gasket-Intake
36163	692081	1	Gasket-Cleaner, Air
36273	690681	1	Seal-O Ring
34276A 6	691766	1	Washer-Sealing
34338 6	691312	1	Gasket-Dipstick
6358	808390	1	Engine Gasket Set
36439	692154	1	Seal-O Ring
36468	690690	1	Seal-O Ring
36524	693172	1	Seal-Tube, Dipstick
36691	690680	1	Seal-Shaft, Governor
34868 6	691963	1	Seal-Valve
34883 6	691613	1	Gasket-Exhaust
36988	692063	1	Gasket-Adapter, Oil Filter

Ref	Part No.	Qty.	Description
341022 6	806039	1	Gasket-Cover, Rocker



Assemblies include all parts shown in frames.

## Carburetor Overhaul Kit Assembly Briggs and Stratton Engine 303440-1320-E1

Ref	Part No.	Qty.	Description
④ ④ 7 ⑥	806085	1	Gasket-Head, Cylinder
④ ④ 51 ⑥	691694	1	Gasket-Intake
④ ④ 51A ⑥	692035	1	Gasket-Intake
④ ④ 94	808257	1	Idle Mixture Kit
④ ④ 102	692077	1	Gasket-Body, Carburetor
④ ④ 104	690723	1	Pin-Hinge, Float
④ ④ 105	692078	1	Valve-Needle, Float
④ 121	809023	1	Carburetor Overhaul Kit
④ ④ 276A ⑥	691766	1	Washer-Sealing
④ ④ 338 ⑥	691312	1	Gasket-Dipstick
④ ④ 633	806131	1	Seal-Shaft, Choke / Throttle
④ ④ 633A	690722	1	Seal-Shaft, Choke / Throttle
④ ④ 868 ⑥	691963	1	Seal-Valve
④ ④ 883 ⑥	691613	1	Gasket-Exhaust
④ ④ 1022 ⑥	806039	1	Gasket-Cover, Rocker
④ ④ 1091	691516	1	Cap-Limiter
④ 1095	808392	1	Valve Gasket Set


## NOTES

# NOTES

# NOTES

