



Workman[®] 1100 Utility Vehicle

Model No. 07252TC - 250000001 and up.

Parts Catalog

Ordering Replacement Parts

To order replacement parts, please supply the part number, the quantity, and the description of each part desired.

Understanding Reference Numbers

Each identified part in an illustration has a reference number. The reference number for a part also appears in the parts list, along with other information about the part.

This catalog uses two special reference number formats, one to indicate parts in a service assembly and another to indicate the quantity of a given part in an illustration.

Service Assembly Reference Numbers

Parts in service assemblies have reference numbers in the form a:b. The a represents the reference number of the entire service assembly and the b represents a sequential number unique to each part within the service assembly.

For example, a wheel assembly might be identified by reference number 6, the tire by 6:1, the valve by 6:2, and the wheel by 6:3. When you order the assembly identified by reference number 6, you receive all parts identified by reference numbers 6:1, 6:2, and 6:3. However, you may also order any part individually. Reference numbers of this type appear in illustrations and in part lists.

Reference Numbers Indicating Quantity

In an illustration, if a reference number indicates more than one part, the reference number has the form nX y. The n represents the quantity of the part, the X is the multiplication symbol, and the y represents the reference number.

For example, in an illustration, the reference number 2X 37 means that two of the parts identified by reference number 37 are indicated.

Contents

Description	Page	Description	Page
Hood and Fender Assembly 3	Drive Clutch Assembly No. 99-7103 24
Pedal Assembly 4	Starter Generator Assembly No. 99-7108 25
Shifter Assembly 5	Crankshaft Assembly Kohler CS12 PA-941621 26
Frame Assembly 6	Crankcase Assembly Kohler CS12 PA-941621 27
Seat Base Assembly 7	Oil Pan and Lubrication Assembly Kohler CS12 PA-941621 28
Front Tire and Steering Assembly 8	Head, Valve and Breather Assembly Kohler CS12 PA-941621 29
Tire, Wheel and Hub Assembly 9	Ignition and Electrical Assembly Kohler CS12 PA-941621 30
Rear Tire and Transaxle Assembly 10	Blower Housing and Baffle Assembly Kohler CS12 PA-941621 31
Driven Clutch Assembly No. 99-7104 11	Fuel System Assembly Kohler CS12 PA-941621 32
Transaxle Assembly No. 107-0360 12	Air Intake and Filtration Assembly Kohler CS12 PA-941621 33
Right Hand Brake Assembly No. 99-7136 14	Exhaust Assembly Kohler CS12 PA-941621 34
Left Hand Brake Assembly No. 99-7137 15		
Drivetrain Mount Assembly 16		
Air Cleaner Assembly No. 99-7120 17		
Upper Steering Assembly 18		
Steering Gearbox Assembly No. 99-7660 19		
Box and Tailgate Installation Assembly 20		
Box and Tailgate Assembly 21		
Engine and Clutch Assembly 22		

Part Description Abbreviations

Part descriptions in this catalog may include the following abbreviations.

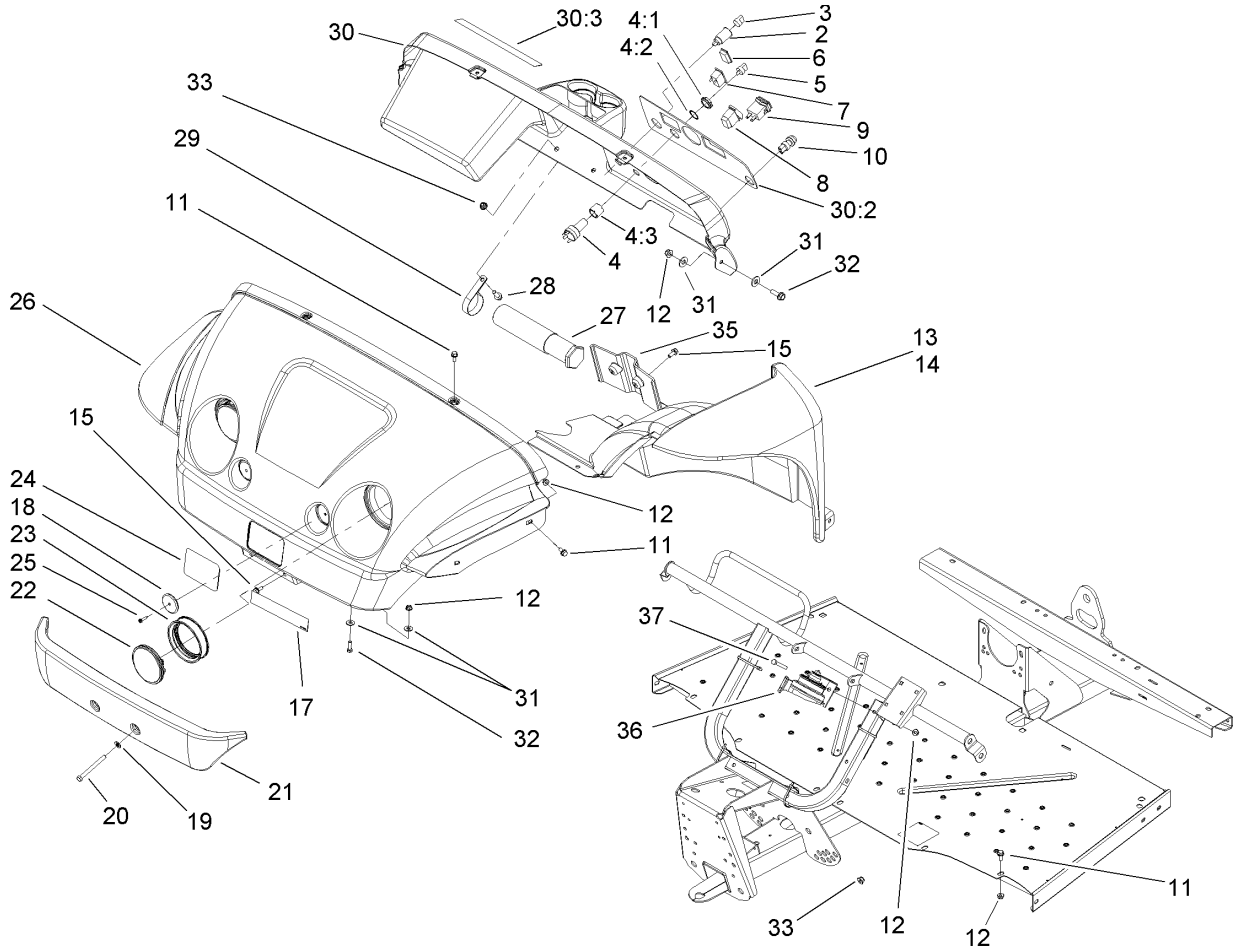
AR. as required	HYD. hydraulic
ASM. assembly	LH. left hand
BBC. blade brake clutch	NI. nylon insert
CARR. carriage	NPTF. national pipe thread fine
DEG. degrees	PFH. phillips flat head
EXT. external	PPH. phillips pan head
FH. flat head	PPHTF. phillips pan head thread forming
GA. gauge	PRH. phillips round head
HD. heavy-duty	PTH. phillips truss head
HF. hex flange	PTO. power-take-off
HH. hex head	RH. right hand
HHF. hex head flange	ROPS. roll-over protection system
HHFTF. hex head flange thread forming	SFH. slotted fillister head
HJ. hex jam	SHH. slotted hex head
HLH. hex lag head	SHWH. slotted hex washer head
HOC. height-of-cut	SPH. slotted pan head
HSBH. hex socket button head	SQH. square head
HSFH. hex socket flat head	SRH. slotted round head
HSH. hex socket head	STD. standard
HWH. hex washer head	TAP. self tapping
HWHTF. hex washer head thread forming	TTH. torx truss head

Footnotes

❶ Not illustrated

❷ Obtain Parts From Kohler

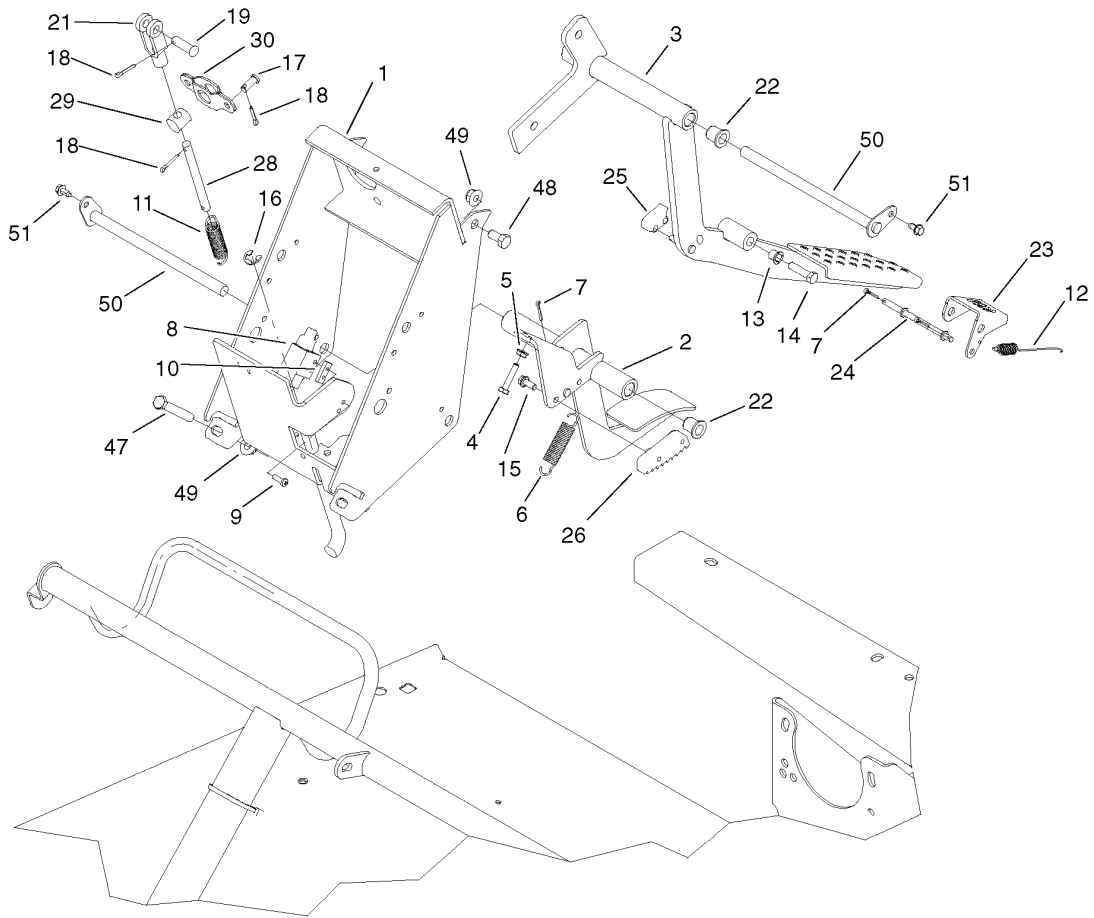
❸ Not serviced separately



Hood and Fender Assembly

Ref	Part No.	Qty.	Description
2	99-7411	1	Point-Power
3	99-7416	1	Cap
4	104-6929	1	Switch-Ignition
4:1	104-7042	1	Nut-Switch, Plastic
4:2	104-7019	2	Washer-Lock, Internal
4:3	104-7021	1	Spacer-Switch
5	99-7418	2	Key-Ignition
6	99-7420	1	Plug-Hole
7	99-7410	1	Light-Oil
8	95-8999	1	Switch
9	94-4208	1	Hourmeter
10	18-2830	1	Button-Horn
11	3234-5	14	Screw-HHF
12	104-8300	15	Nut-Flange, NI
13	104-7076	1	LH Fender ASM
14	104-7077	1	RH Fender ASM
15	104-7206	4	Screw-HHF
17	104-7269	1	Decal
18	99-7312	2	Reflector
19	3256-24	2	Washer-Flat
20	323-42	2	Screw-HH
21	99-7733	1	Bumper-Plastic
22	99-7310	2	Headlight
23	99-7311	2	Mount-Headlight

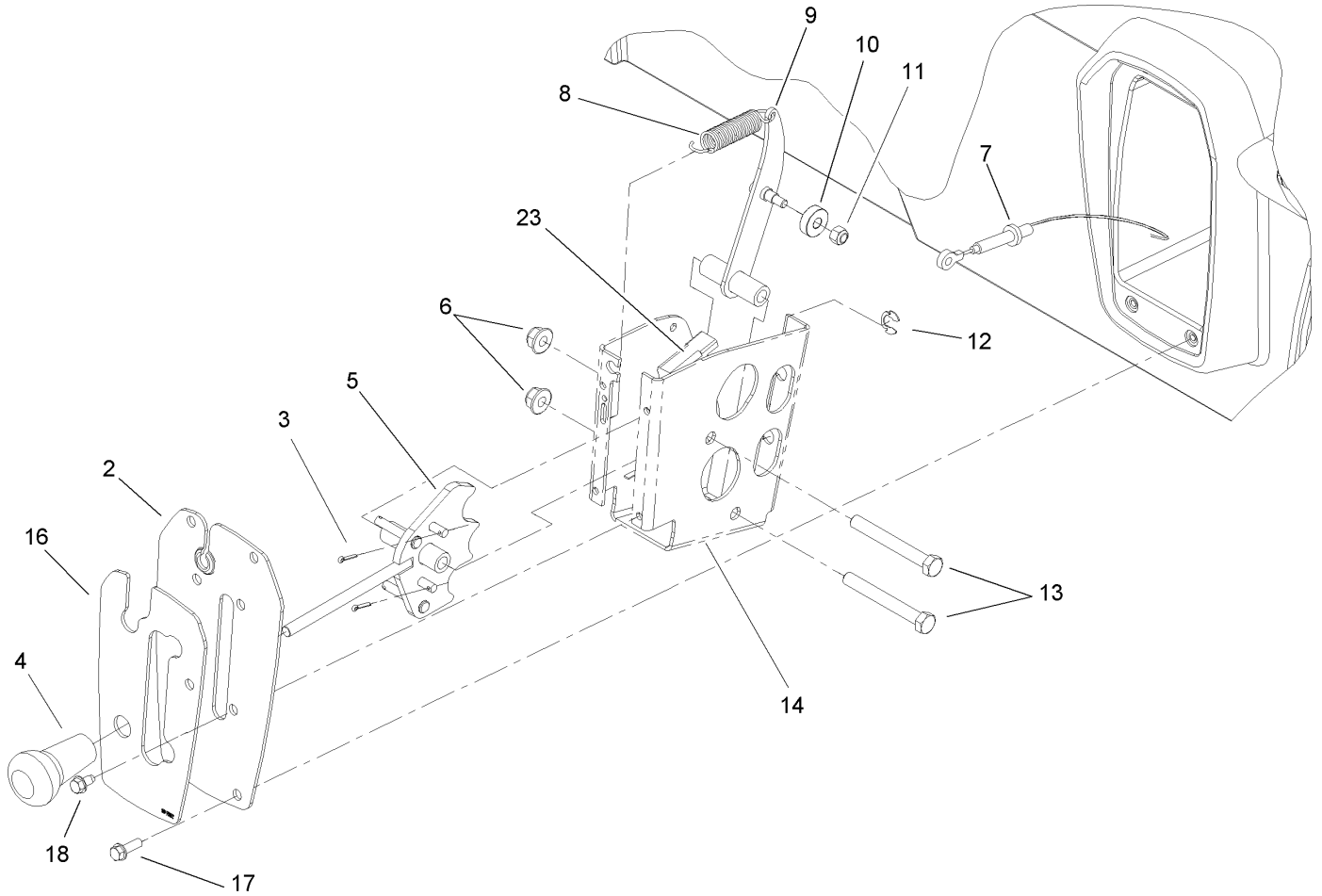
Ref	Part No.	Qty.	Description
24	99-7339	1	Decal
25	32144-89	2	Screw-Forming, Thread
26	104-7003	1	Hood
27	74-0720	1	Tube-Manual
28	3234-11	2	Screw-HHF
29	2412-133	2	R-Clamp
30	107-0701	1	Dash ASM
30:2	107-0699	1	Decal-Panel, Control
30:3	99-7344	1	Decal-Danger
31	3256-3	8	Washer-Flat
32	3234-17	4	Screw-HHF
33	104-8301	4	Nut-Flange, NI
35	104-7075	1	Cover-Channel
36	116749	1	Horn
37	322-11	1	Screw-HH



Pedal Assembly

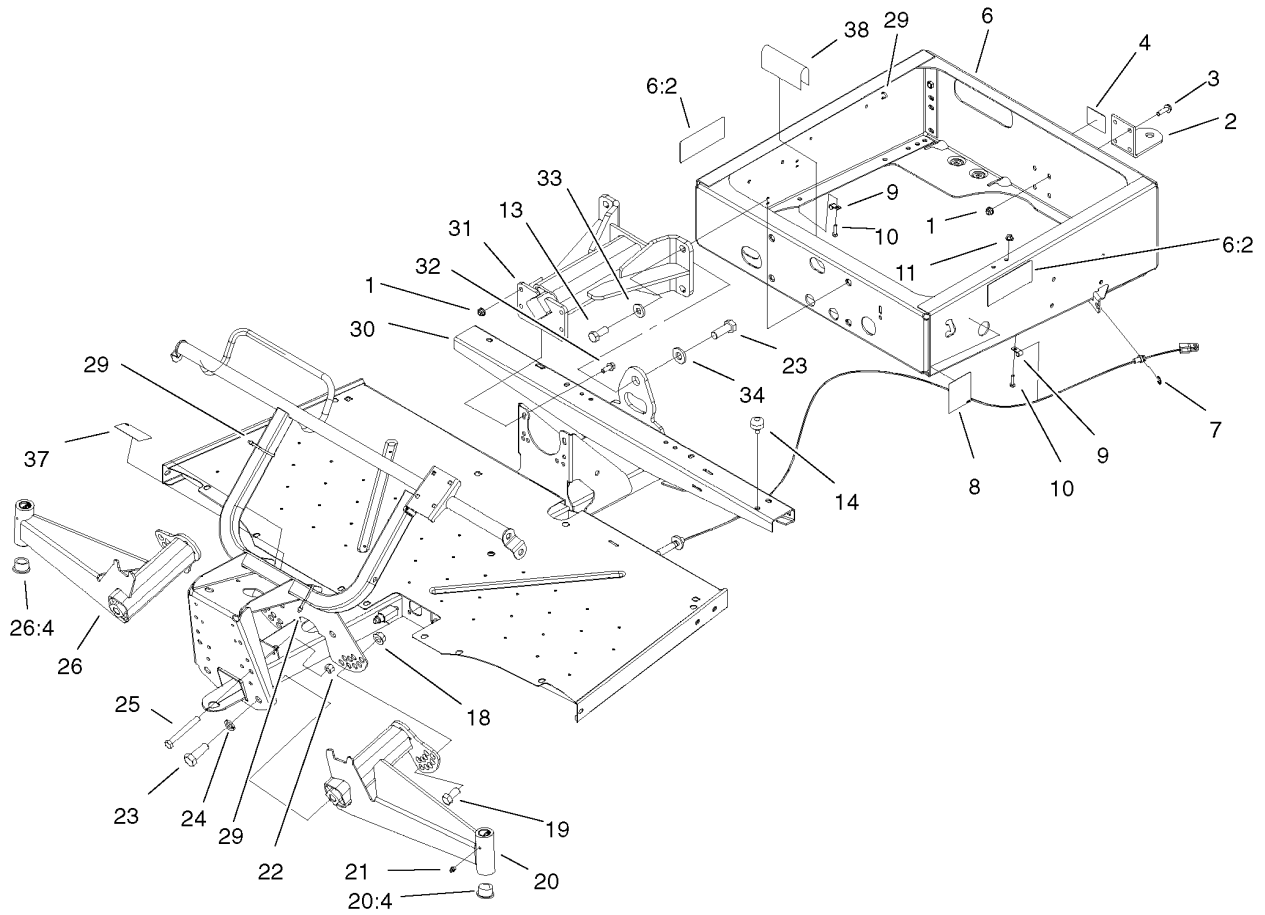
Ref	Part No.	Qty.	Description
1	104-7160-03	1	Frame-Pedals
2	104-7165-03	1	Pedal-Throttle
3	104-7170-03	1	Pedal-Brake
4	321-7	2	Screw-HH
5	32149-2	2	Nut-Keps
6	104-6415	1	Spring-Return, Pedal
7	3272-4	4	Pin-Cotter
8	99-7407	1	Switch
9	104-7221	2	Screw-PPH
10	1-633181	1	Plate-Tapped
11	613386	1	Spring-Brake
12	92-6945	1	Spring-Extension
13	52-2891	2	Bushing-Link, Steering
14	323-12	1	Screw-HH
15	3234-33	2	Screw-HHF
16	32120-47	2	Ring-Retaining, External
17	283-62	2	Pin-Clevis
18	3272-10	4	Pin-Cotter
19	283-2	1	Pin-Clevis
21	1-633131	1	Yoke-Linkage, Brake
22	256-155	4	Bushing-Flange
23	104-6613	1	Pedal-Park
24	104-6616	1	Rod-Park
25	104-6624	1	Detent-Brake

Ref	Part No.	Qty.	Description
26	104-6614	1	Pawl-Brake
27	104-6571	2	Cable-Brake
28	104-6597	1	Rod-Threaded
29	104-6598	1	Pin-Pivot
30	104-6599	1	Pivot-Brake
47	323-11	2	Screw-HH
48	323-4	2	Screw-HH
49	104-8301	5	Nut-Flange, NI
50	104-7164	2	Pivot-Pedal
51	12-3270	2	Screw



Shifter Assembly

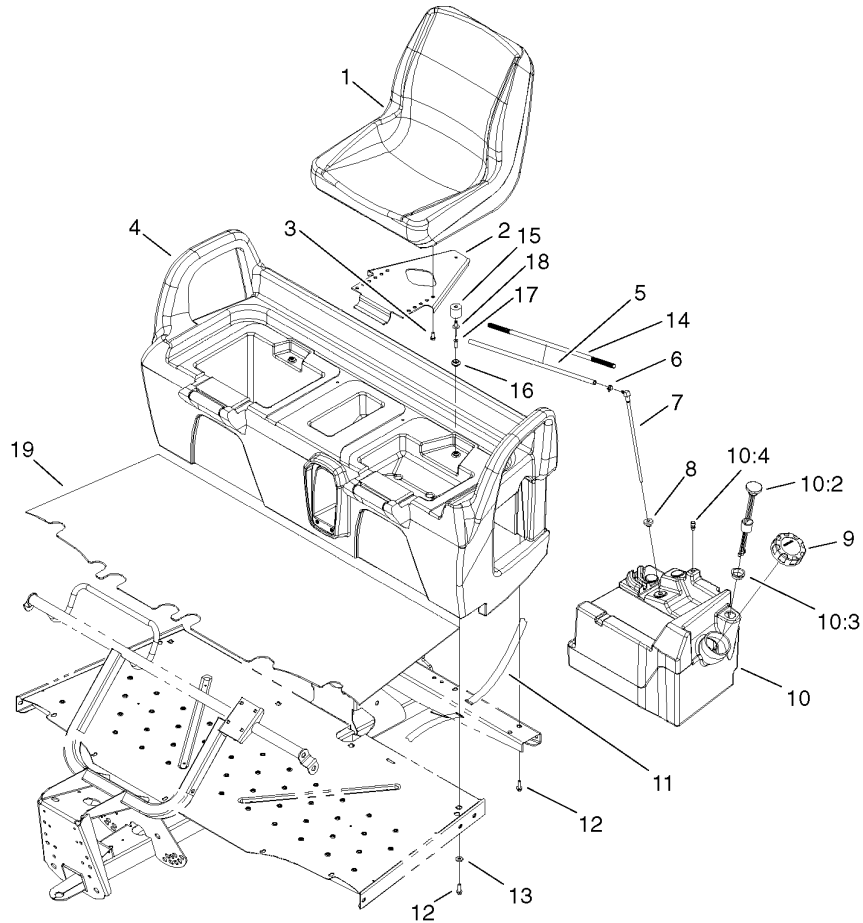
Ref	Part No.	Qty.	Description
2	99-7887-03	1	Plate-Shifter
3	3272-5	2	Pin-Cotter
4	99-7981	1	Knob-Grip, Soft
5	108-3139	1	Lever-Shift
6	104-8301	2	Nut-Flange, NI
7	104-6896	2	Cable-Shift
8	104-6415	1	Spring-Return, Pedal
9	108-3138	1	Arm-Detent
10	251-307	1	Bearing-Ball
11	3296-42	1	Nut-Lock, NI
12	32151-101	2	E-Ring
13	323-14	2	Screw-HH
14	108-3141-03	1	Bracket-Shift
16	99-7952	1	Decal-Shifter
17	32105-15	4	Screw
18	12-3270	4	Screw
23	99-7408	1	Switch-Reverse



Frame Assembly

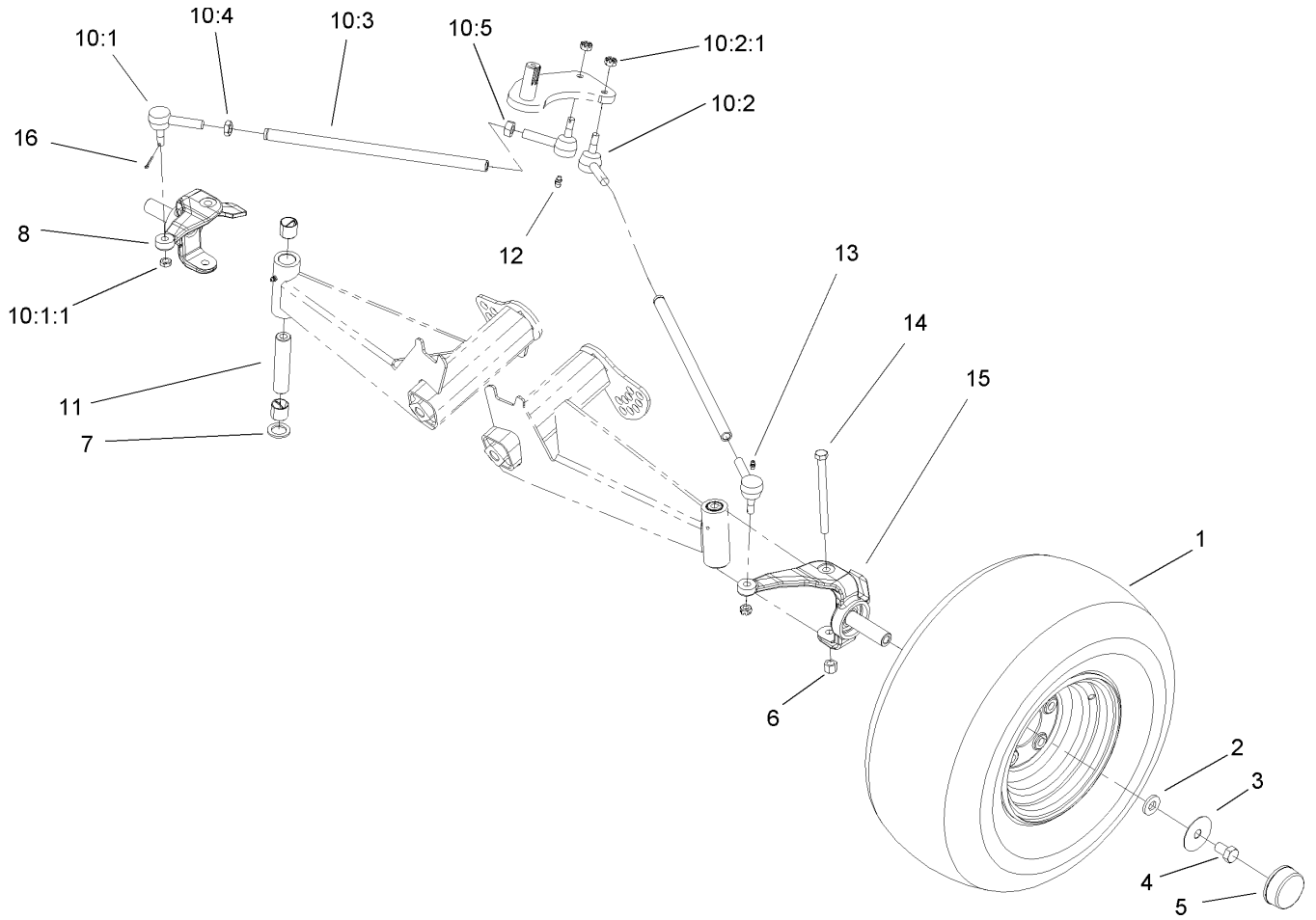
Ref	Part No.	Qty.	Description
1	104-8301	8	Nut-Flange, NI
2	99-7654-03	1	Hitch-Duty, Light
3	3234-24	4	Screw-HHF
4	99-7350	1	Decal-Information
6	99-7362	1	Rear Frame ASM
6:2	99-7345	2	Decal-Warning
7	32120-47	2	Ring-Retaining, External
8	99-7349	1	Decal-Information, Boxlatch
9	2412-89	4	Clamp
10	321-6	4	Screw-HH
11	32128-33	4	Nut-HF
13	327-4	4	Screw-HH
14	87-2440	1	Bumper-Rubber
18	32128-54	2	Nut-HF
19	3214-2	2	Screw-HH
20	3290-313	2	Screw-Ph
20	99-7685	1	LH A-Arm ASM
20:4	3-0348	2	Bushing
21	302-5	2	Fitting-Grease
22	3296-23	2	Nut-Lock, NI
23	328-24	5	Screw-HH
24	3254-7	4	Washer-Lock, Int
25	325-17	2	Screw-HH
26	99-7684	1	RH A-Arm ASM

Ref	Part No.	Qty.	Description
26:4	3-0348	2	Bushing
29	3290-379	12	Tie-Cable
30	104-7197-03	1	Front Frame ASM
31	99-7700	1	Pivot Yoke ASM
32	3234-11	4	Screw-HHF
33	99-7667	4	Washer-Flat
34	87-3060	1	Washer-Hardened
37	104-6855	1	Decal-Capacity
38	95-5686	1	Trim



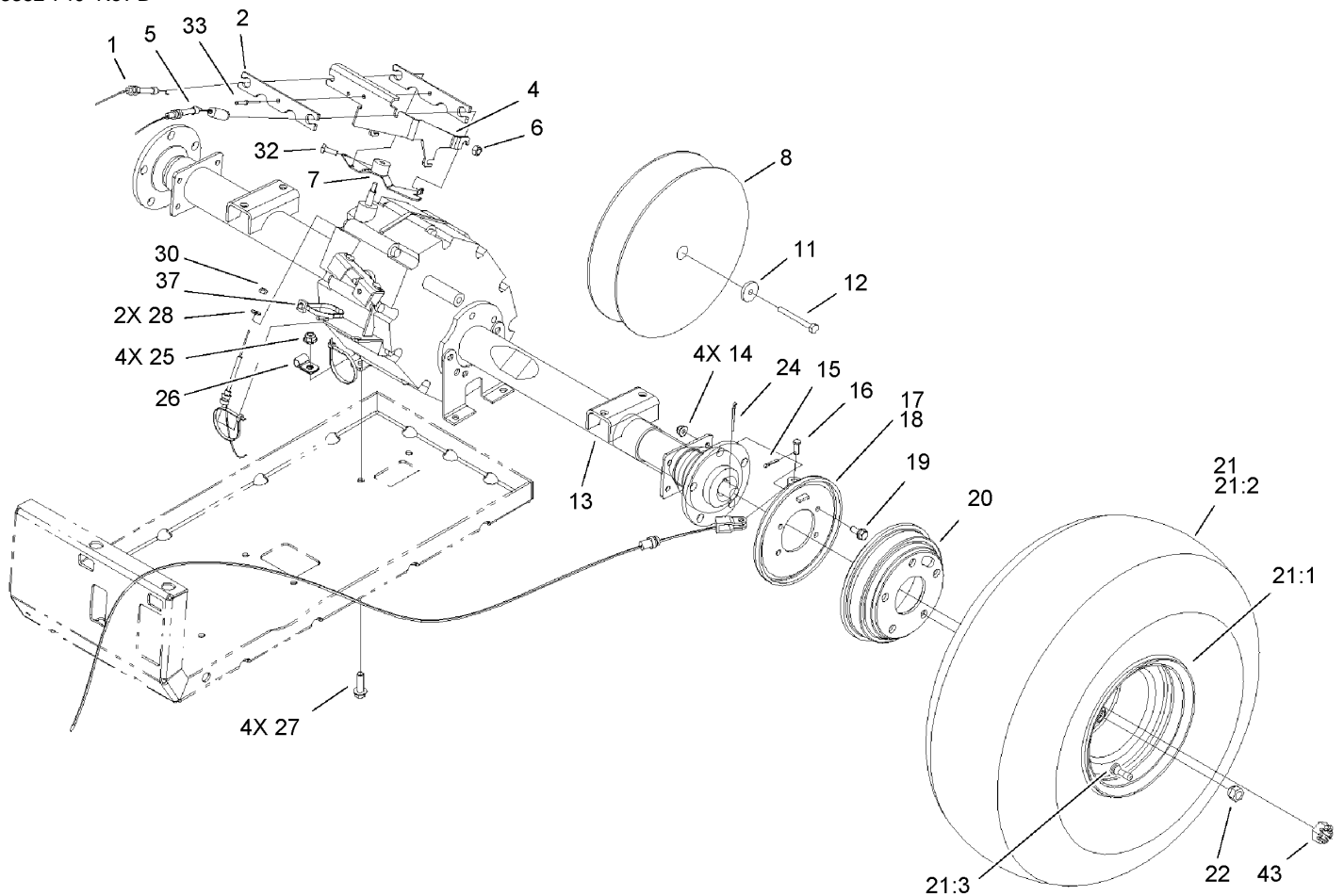
Seat Base Assembly

Ref	Part No.	Qty.	Description
1	106-6672	2	Seat
2	99-7829	2	Bracket-Seat
3	33114-016	8	Screw-HH
4	104-6401	1	Seat Base ASM
5	99-7187	1	Hose-Fuel
6	2412-98	1	Clamp
7	99-7264	1	Pipe-Stand
8	46-6560	1	Bushing
9	95-4192	1	Unleaded Gas Cap ASM
10	99-7323	1	Fuel Tank ASM
10:2	99-7262	1	Gauge-Fuel
10:3	95-8972	1	Grommet
10:4	99-7267	1	Vent-Air
11	3339-175	1	Strapping-Web, 48 Inch
12	3234-17	8	Screw-HHF
13	88-7200	8	Washer-Flat
14	99-7129	1	Conduit-Line, Fuel
15	99-7830	2	Rubber Receptical ASM
16	99-7833	2	Post-Holding
17	32108-5	2	Screw-FH
18	3290-412	2	Rivet
19	104-6590	1	Mat-Floor



Front Tire and Steering Assembly

Ref	Part No.	Qty.	Description
②1		2	Tire, Wheel And Hub ASM
2	99-7667	2	Washer-Flat
3	99-7719	2	Washer
4	327-2	2	Screw-HH
5	94-7871	2	Cap-Dust
6	3296-23	2	Nut-Lock, NI
7	256-115	2	Washer-Thrust
8	99-7487-03	1	Spindle-RH
②10		2	Rod-Tie
10:1	112772	1	Joint-Ball, RH
10:1:1	915031	1	Nut
10:2	112771	1	Joint-Ball, LH
10:2:1	915031	1	Nut
10:3	99-7600-03	1	Rod-Tie
10:4	3220-11	1	Nut-Jam
10:5	3218-21	1	Nut-Jam
11	99-7499	2	Sleeve-Kingpin
12	302-60	2	Fitting-Grease, 90 DEG
13	302-5	2	Fitting-Grease
14	325-20	2	Screw-HH
15	99-7486-03	1	Spindle-LH
16	3272-7	4	Pin-Cotter

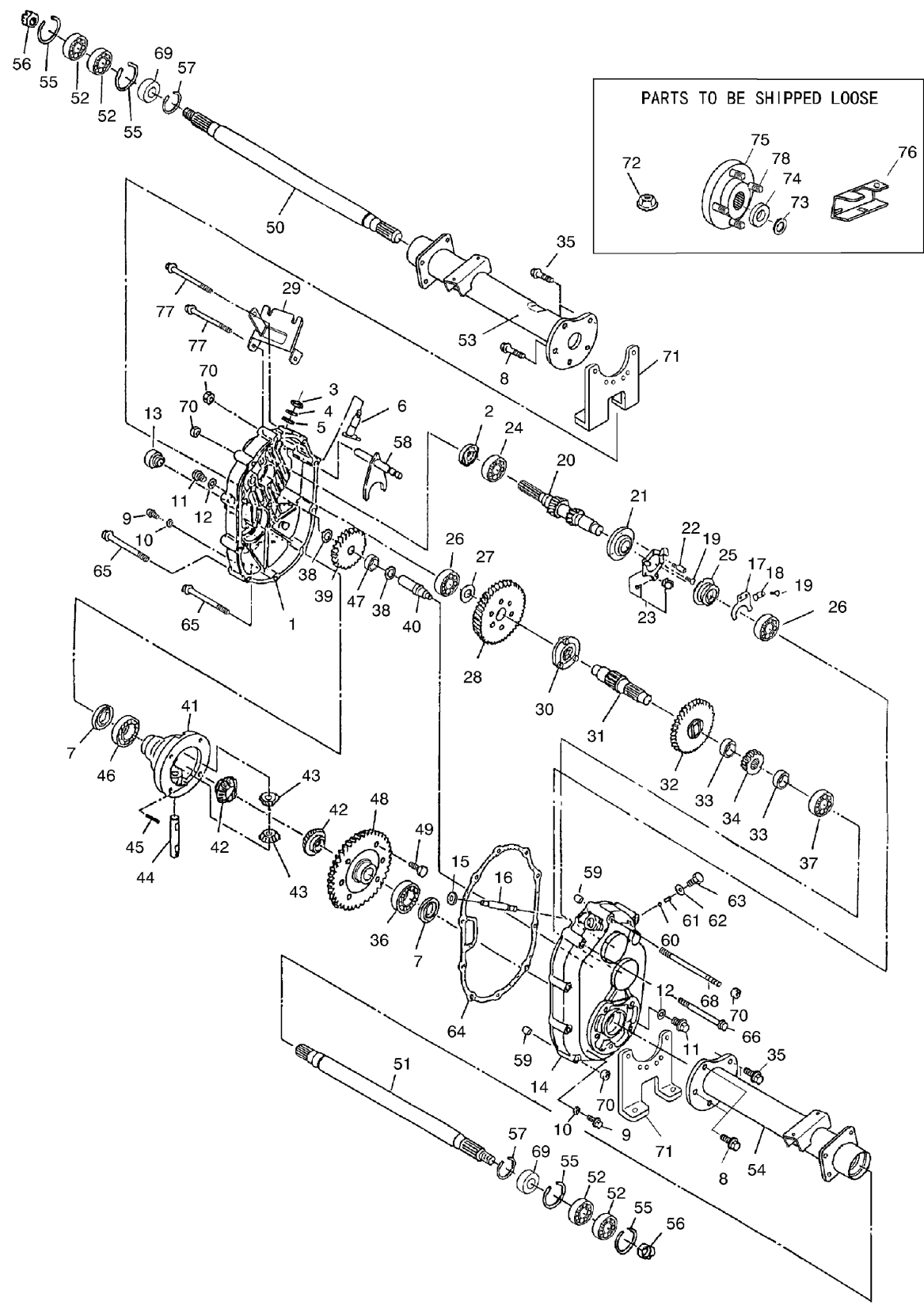


Rear Tire and Transaxle Assembly

Ref	Part No.	Qty.	Description
1	104-6474	1	Cable-Governor, 12Hp
2	99-7121	2	Bracket-Tamper
4	99-7054	1	Bracket-Cables
5	104-6572	1	Cable-Throttle
6	33024-00	3	Nut-Lock
7	104-6569	1	Bracket-Governor
8	99-7104	1	Clutch-Driven
11	104-6563	1	Washer-Stepped
12	104-6564	1	Screw-HH
13	104-6898	1	Transaxle
14	104-8300	8	Nut-Flange, NI
15	3272-10	2	Pin-Cotter
16	283-62	2	Pin-Clevis
17	99-7136	1	Brake-RH
18	99-7137	1	Brake-LH
19	3234-5	8	Screw-HHF
20	104-6500	2	Drum-Brake
21		2	Tire And Wheel ASM
21:1	104-7288	1	Wheel
21:2	104-7289	1	Tire
21:3	232-27	1	Stem-Valve
22	242-50	10	Nut-Lug
24	3272-42	2	Pin-Cotter
25	104-8301	4	Nut-Flange, NI

Ref	Part No.	Qty.	Description
26	2412-10	1	R-Clamp
27	3234-24	4	Screw-HHF
28	3256-49	2	Washer-Flat (Only On: 38053)
30	3296-2	2	Nut-Lock
32	3241-6	2	Screw-SQH
33	99-7122	1	Rivet-Annodized
37	3290-378	1	Tie-Cable
43	104-1656	2	Nut-Castle

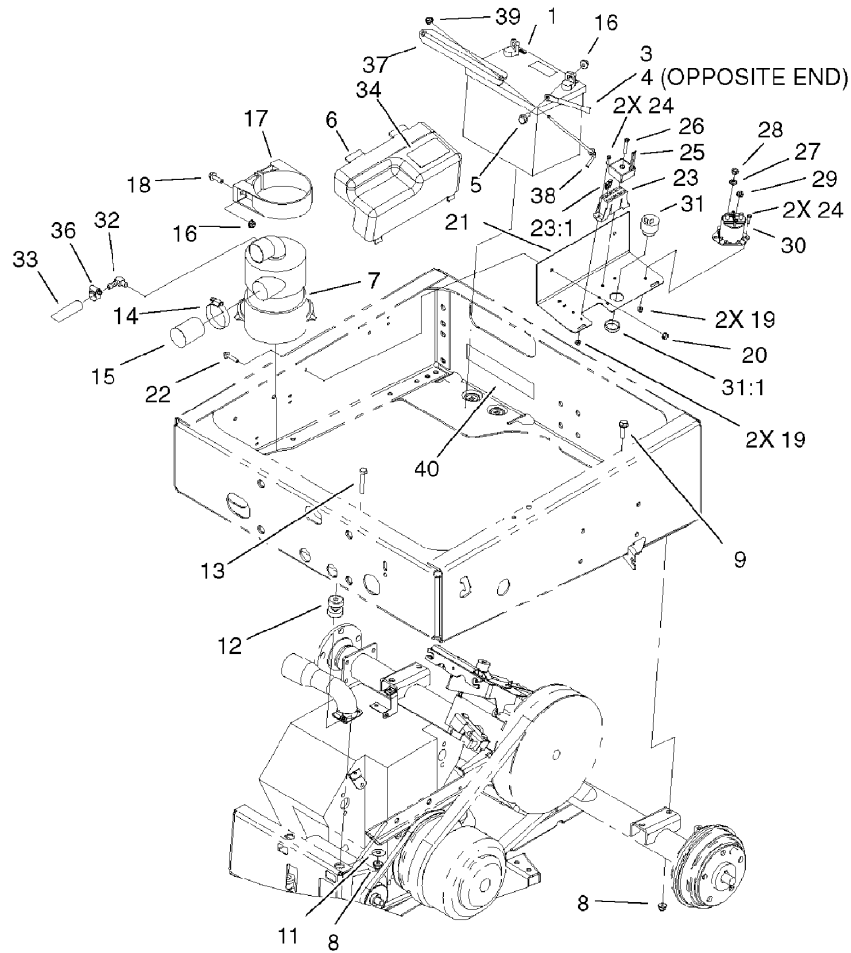
Transaxle Assembly No. 107-0360



Transaxle Assembly No. 107-0360

Ref	Part No.	Qty.	Description
1	104-1601	1	Case-LH, Complete
2	104-1602	1	Seal-Oil
3	104-1603	1	Seal-Oil
4	104-1604	1	Ring-Snap
5	104-1605	1	Spacer
6	104-1606	1	Shaft-Selector
7	104-1607	2	Seal-Oil
8	104-1608	4	Bolt-Flange
9	104-1609	2	Plug-Check, Oil
10	104-1610	2	Gasket
11	104-1611	2	Plug-Drain, Oil
12	104-1612	2	Gasket
13	104-1613	1	Plug-Filler, Oil
14	104-1614	1	Case-Complete, RH
15	104-1615	1	Seal-Oil
16	104-1616	1	Shaft-Governor
17	104-1617	1	Fork-Governor
18	104-1618	1	Stopper
19	104-1619	4	Screw And Washer ASM
20	104-7002	1	Shaft-Input, Complete
21	104-1621	1	Base-Governor
22	104-1622	1	Pin-Lock
23	104-1623	1	Unit-Plate, Governor
24	104-1624	1	Bearing-Ball
25	104-1625	1	Sleeve-Governor
26	104-1626	2	Bearing-Ball
27	104-1627	1	Spacer
28	104-1628	1	Gear
29	104-1629	1	Bracket-Wire, Change
30	104-1630	1	Clutch-Pin
31	104-1631	1	Shaft-Center
32	104-1632	1	Gear-47
33	104-1633	2	Collar
34	104-1634	1	Gear
35	104-1635	6	Bolt-Flange
36	104-1636	1	Bearing-Ball
37	104-1637	1	Bearing-Ball
38	104-1638	2	Spacer
39	104-1639	1	Gear-34
40	104-1640	1	Shaft-Counter
41	104-1641	1	Case-Differential
42	104-1642	2	Gear-Side, Differential
43	104-1643	2	Pinion-Differential
44	104-1644	1	Shaft-Differential
45	104-1645	1	Pin
46	104-1646	1	Bearing-Ball
47	104-1647	1	Bearing-Needle
48	104-1648	1	Gear-62
49	104-1649	6	Bolt
50	104-1650	1	Shaft-Axle, LH
51	104-1651	1	Shaft-Axle, RH
52	104-1652	4	Bearing-Ball

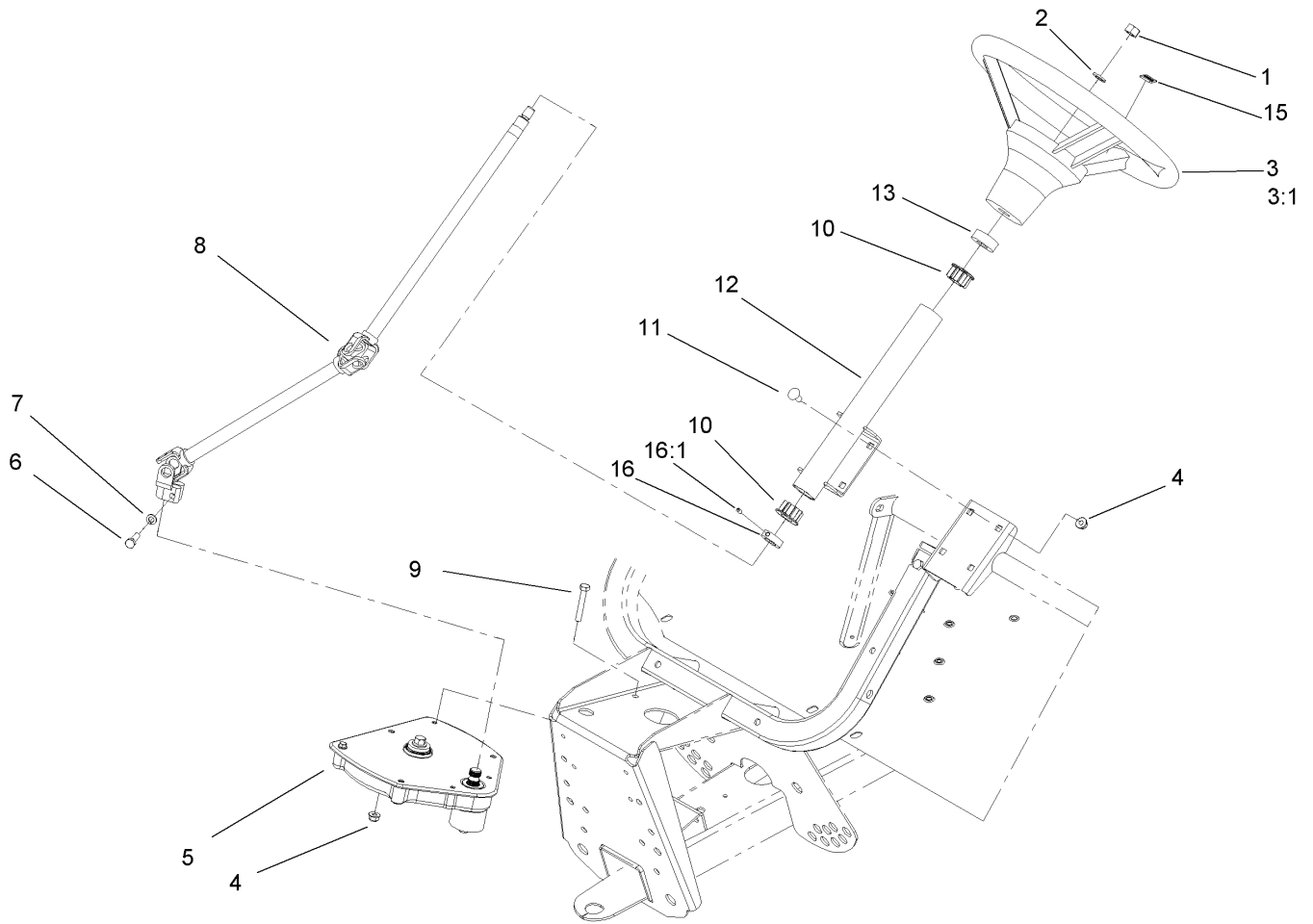
Ref	Part No.	Qty.	Description
53	104-1653	1	Case-Axle, LH
54	104-1654	1	Case-Axle, RH
55	104-1655	4	Ring-Snap
56	104-1656	2	Nut-Castle
60	104-1660	1	Ball-Steel
57	104-1657	2	Ring-Snap
58	104-6870	1	Shaft-Shift, Complete
59	104-1659	2	Knock-Pipe
60	104-1660	1	Ball-Steel
61	104-1661	1	Spring
62	104-1662	1	Gasket
63	104-1663	1	Bolt
64	104-1664	1	Gasket
65	104-1665	6	Bolt-Flange
66	104-1666	1	Bolt-Flange
68	104-6866	1	Bolt
69	104-6867	2	Collar
70	33004-00	11	Nut-HF
71	104-1671	2	Bracket-Axle
72	104-1672	1	Nut-Lock
73	104-1673	2	Washer-Spring
74	104-1674	2	Washer
75	104-1675	2	Hub
76	104-6860	1	Lever-Select
77	104-6869	2	Bolt-Flange
78	104-8649	10	Stud



Drivetrain Mount Assembly

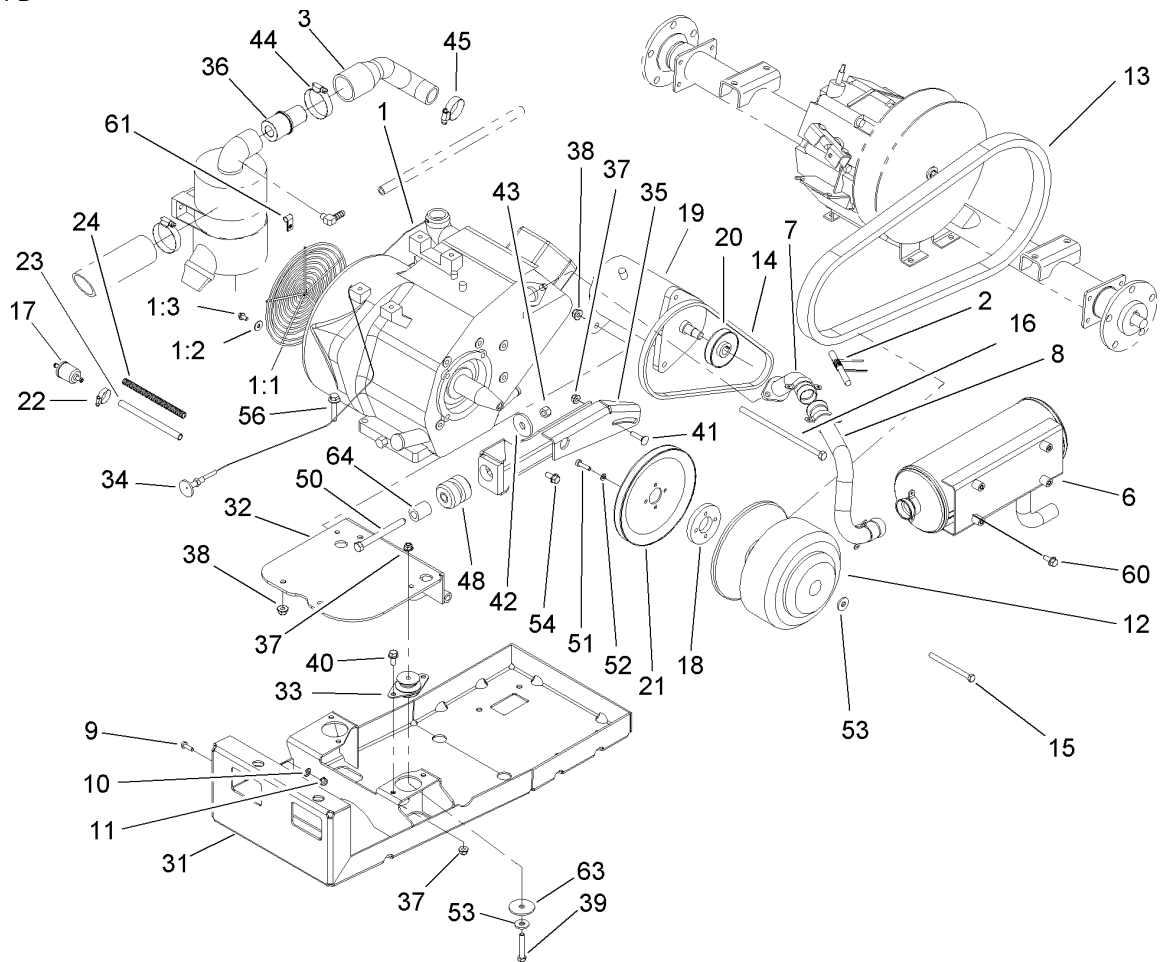
Ref	Part No.	Qty.	Description
1	104-8162	1	Battery
3	99-7402	1	Cable-Negative
4	99-7404	1	Cable-Positive
5	3234-5	2	Screw-HHF
6	99-7325	1	Cover-Electrical
7	99-7120	1	Filter-Air
8	104-8301	6	Nut-Flange, NI
9	3234-24	4	Screw-HHF
11	3256-35	2	Washer-Flat
12	95-2596	2	Mount-Iso
13	323-10	2	Screw-HH
14	2412-130	1	Clamp-Hose
15	104-6528	1	Hose-Intake
16	104-8300	4	Nut-Flange, NI
17	95-5806	1	Bracket-Mounting
18	3234-17	2	Screw-HHF
19	3296-2	5	Nut-Lock
20	32128-32	2	Nut-HHF
21	99-7051-03	1	Mount-Component
22	3234-21	2	Screw-Cap
23	107-0669	1	Harness-Wire, Main
23:1	218-578	3	Fuse-10 Amp
23:2	100-4918	1	Diode
24	32105-13	4	Screw-SHH

Ref	Part No.	Qty.	Description
25	104-6927	1	Regulator
26	32105-1	1	Screw-SHH
27	3255-8	2	Washer-Lock
28	3218-2	2	Nut-Jam
29	32149-8	2	Nut-Keps
30	99-7406	1	Solenoid
31	80-9330	1	Alarm-Audio
31:1	104-5107	1	Nut-Plastic, Knurled
32	99-7230	1	Fitting-90 DEG
33	94-5625	1	Hose-Overflow, Radiator
34	99-7352	1	Decal-Information
36	2412-36	2	Clamp-Hose
37	92-5018-03	1	Clamp-Battery
38	95-4042	2	Hook-Retain, Battery
39	104-7201	2	Nut-HF
40	104-7102	1	Pad-Battery



Upper Steering Assembly

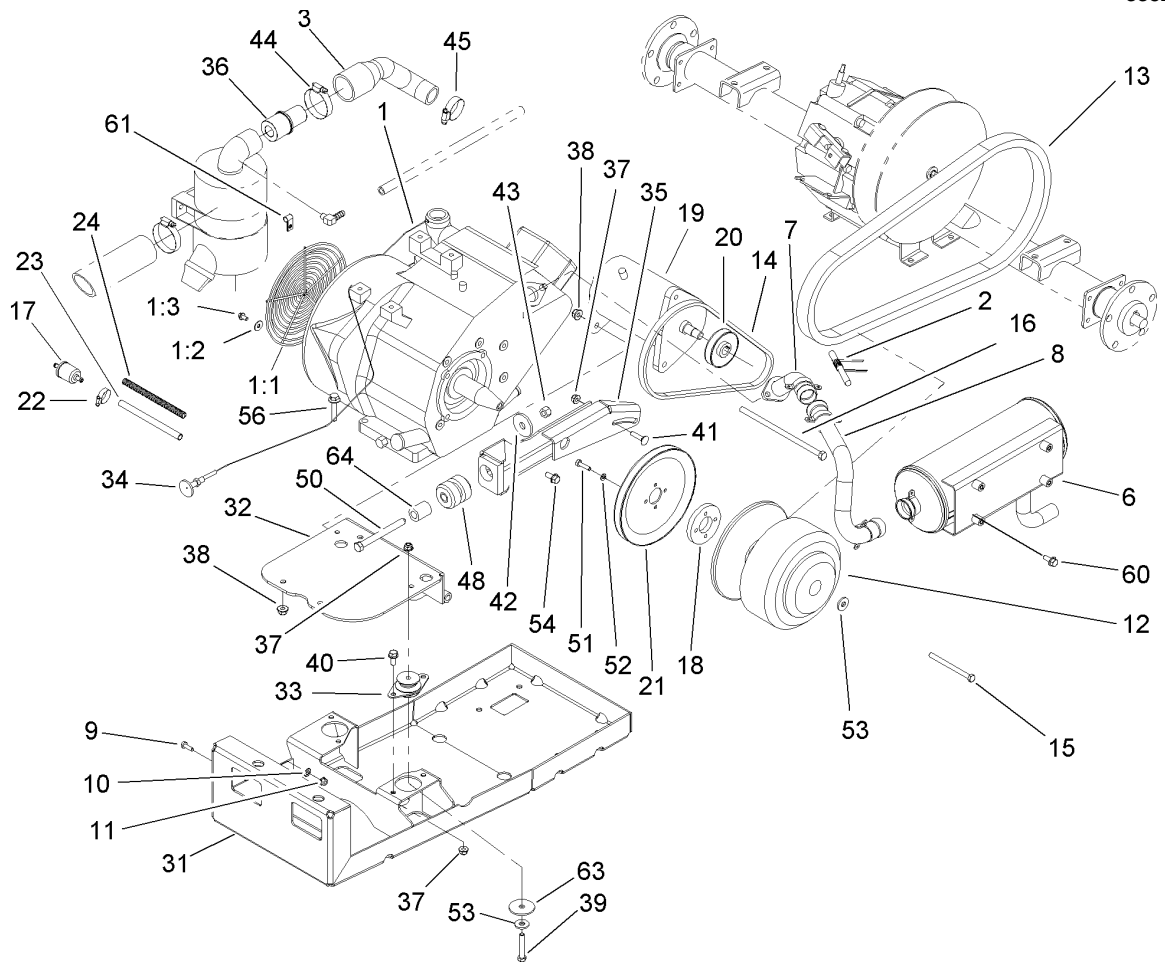
Ref	Part No.	Qty.	Description
1	3277-1	1	Nut-Hex
2	48-8070	1	Washer-Lock
3	98-1471	1	Wheel-Steering
3:1	98-1468	1	Cover-Wheel, Steering
4	104-8300	7	Nut-Flange, NI
5	99-7660	1	Steering Gearbox ASM
6	48-7730	1	Screw-HH
7	3253-4	1	Washer-Lock
8	99-7653	1	Shaft-Steering
9	322-10	3	Screw-HH
10	93-1146	2	Bushing-Upper, Steering
11	3230-1	4	Bolt-CARR
12	99-7651-03	1	Column-Steering
13	21-9260	1	Cover-Dust
15	98-1459	1	Decal
16	111383	1	Collar
16:1	3245-32	1	Screw-HSH



Engine and Clutch Assembly

Ref	Part No.	Qty.	Description
1	104-6565	1	Engine-Kohler, Cs12 Pa-941621
1:1	104-6538	1	Guard-Flywheel
1:2	104-6547	4	Washer-Flat
1:3	104-6548	4	Screw-Flange
2	104-6478	4	Spring-Coupler, Exhaust
3	104-6495	1	Hose-Intake
6	104-6510	1	Muffler
7	104-6511	1	Manifold
8	104-6512	1	Coupler-Exhaust
9	321-4	1	Screw-HH
10	3255-8	1	Washer-Lock
11	32128-32	1	Nut-HHF
12	99-7103	1	Clutch-Drive
13	99-7143	1	Belt-Drive
14	99-7132	1	V-Belt-Starter
15	99-7200	1	Screw-HH
16	323-30	1	Screw-HH
17	94-2690	1	Filter-Fuel
18	99-7064	1	Spacer-Starter
19	99-7108	1	Generator-Starter
20	99-7130	1	Pulley-Starter
21	99-7131	1	Pulley-Engine
22	2412-98	3	Clamp
23	47-2963	1	Hose-Fuel

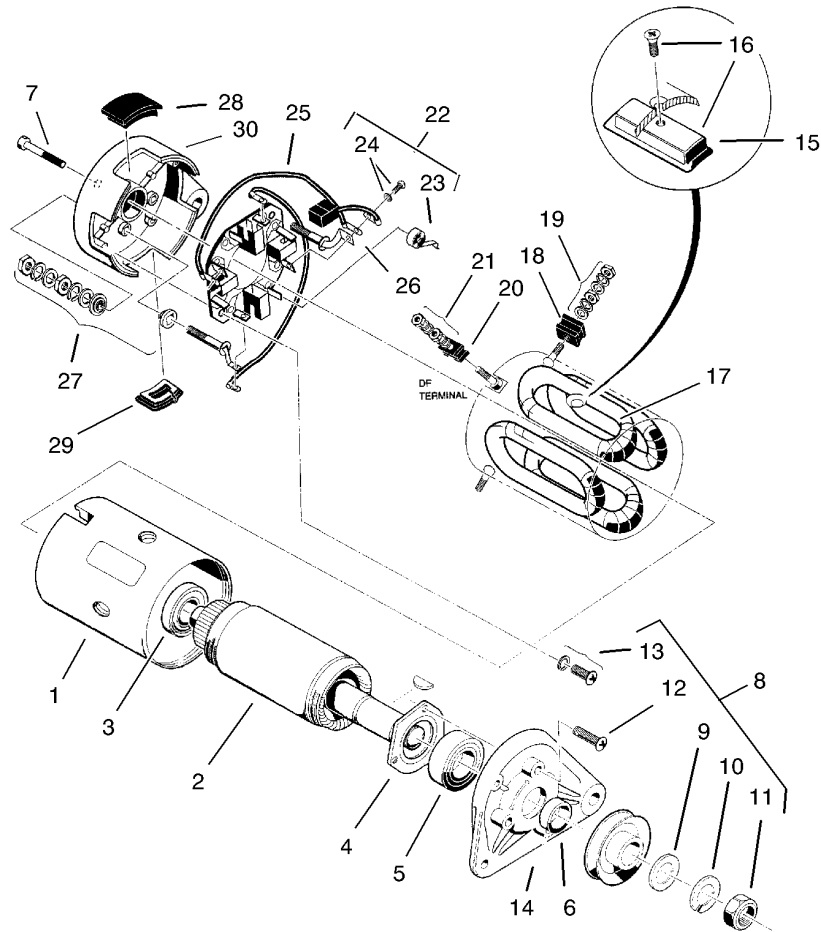
Ref	Part No.	Qty.	Description
24	99-7377	1	Conduit-Line, Fuel
●25	104-6928	1	Cable-Positive
●26	107-0671	1	Harness-Wire
●27	99-7403	1	Cable-Negative
●29	99-7405	1	Cable-Negative
31	104-6521-03	1	Mount-Engine
32	104-6525-03	1	Base-Engine
33	104-6562	2	Mount-Iso
34	104-6507	1	Cable-Choke, Kohler
35	104-6516-03	1	Bracket-Starter
36	104-6531	1	Restrictor-Intake
37	104-8300	7	Nut-Flange, NI
38	104-8301	5	Nut-Flange, NI
39	322-11	2	Screw-HH
40	3234-5	4	Screw-HHF
41	3230-3	1	Screw-CARR
42	84-1560	1	Washer-Thrust
43	3296-48	1	Nut-Lock, NI
44	2412-130	1	Clamp-Hose
45	2412-3	1	Clamp-Hose
48	87-4970	1	Engine Mount ASM
50	104-6561	1	Screw-HH
51	321-6	4	Screw-HH
52	3253-3	4	Washer-Lock



Engine and Clutch Assembly (continued)

Ref	Part No.	Qty.	Description
53	5-0838	3	Washer
54	104-6560	2	Screw-HH
56	3234-19	4	Screw-HHF
60	3234-5	4	Screw-HHF
61	2412-89	1	Clamp
63	63-7400	2	Washer-Rebound
64	104-6557	1	Spacer-Frame

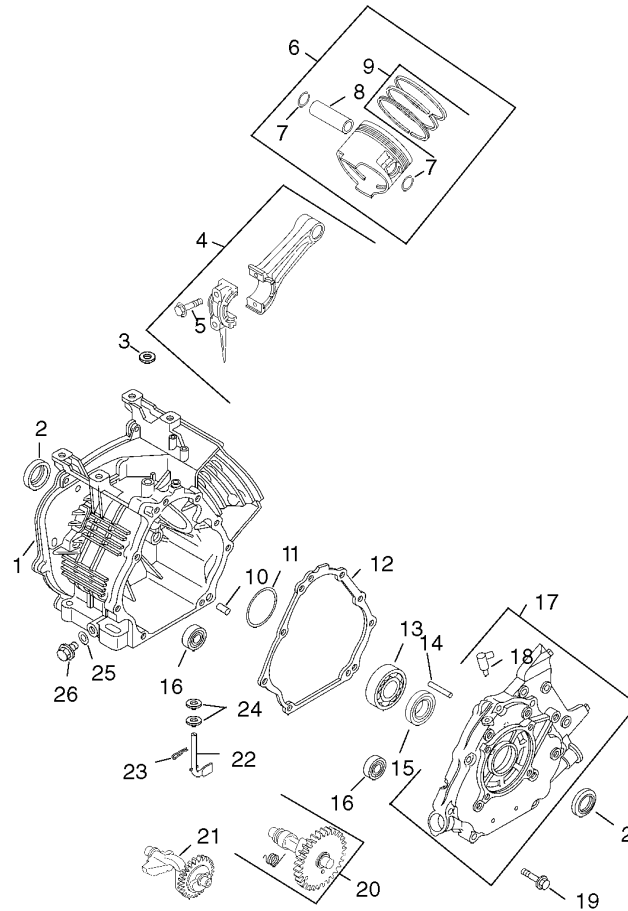
--	--	--	--



Starter Generator Assembly No. 99-7108

Ref	Part No.	Qty.	Description
①		1	Yoke
2	104-1210	1	Armature Kit
3	104-1211	1	Bearing-Ball, Rear
4	104-1212	1	Retainer
5	104-1213	1	Bearing-Ball, Front
6	104-1214	1	Spacer
7	104-1215	2	Bolt
⑧		1	Nut And Screw Set
9	104-1216	1	Washer-Plain
10	104-1217	1	Washer-Spring
11	104-1218	1	Nut-Hex
⑫		3	Screw-Flange
13	104-1219	2	Set-Screw
14	104-1220	1	Bracket-Front
⑮		4	Pole
16	104-1221	1	Set-Pole And Screw
17	104-1222	1	Field Stator Coil ASM
⑮		2	F Mold
19	104-1223	2	Set-Screw
⑳		1	D F Mold
21	104-1224	1	Set-Screw
22	104-1225	1	Brush Holder Kit
23	104-1226	4	Spring-Brush
24	104-1227	1	Brush And Screw Set

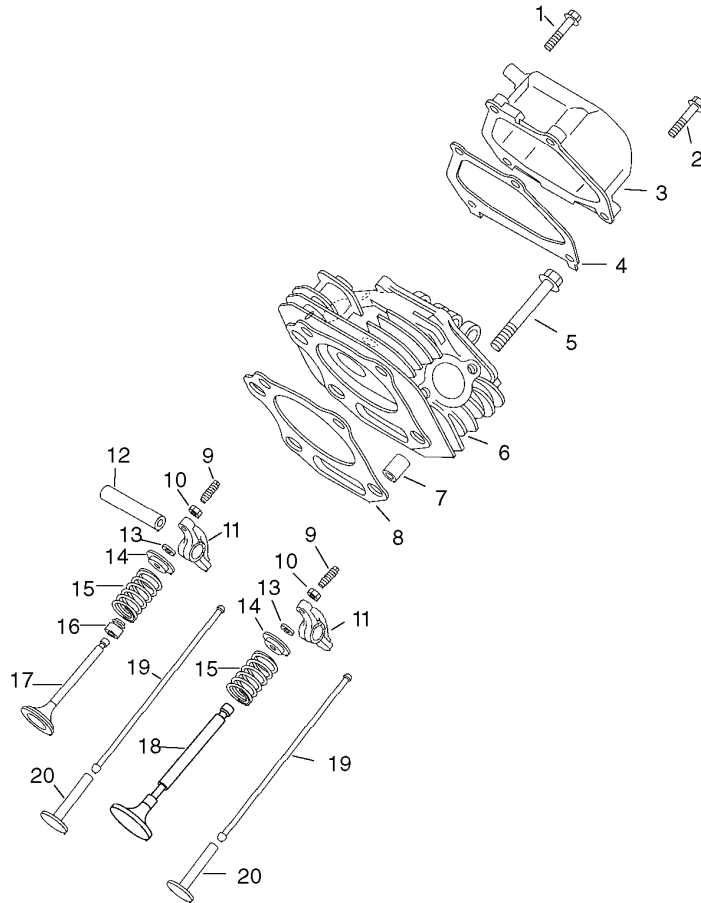
Ref	Part No.	Qty.	Description
⑳		2	Brush Connector ASM
㉑		2	A Terminal ASM
27	104-1228	2	Screw And Mold ASM
㉓		1	Cover Set
㉔		1	Cover B
㉕		1	Bracket-Rear



Crankcase Assembly Kohler CS12 PA-941621

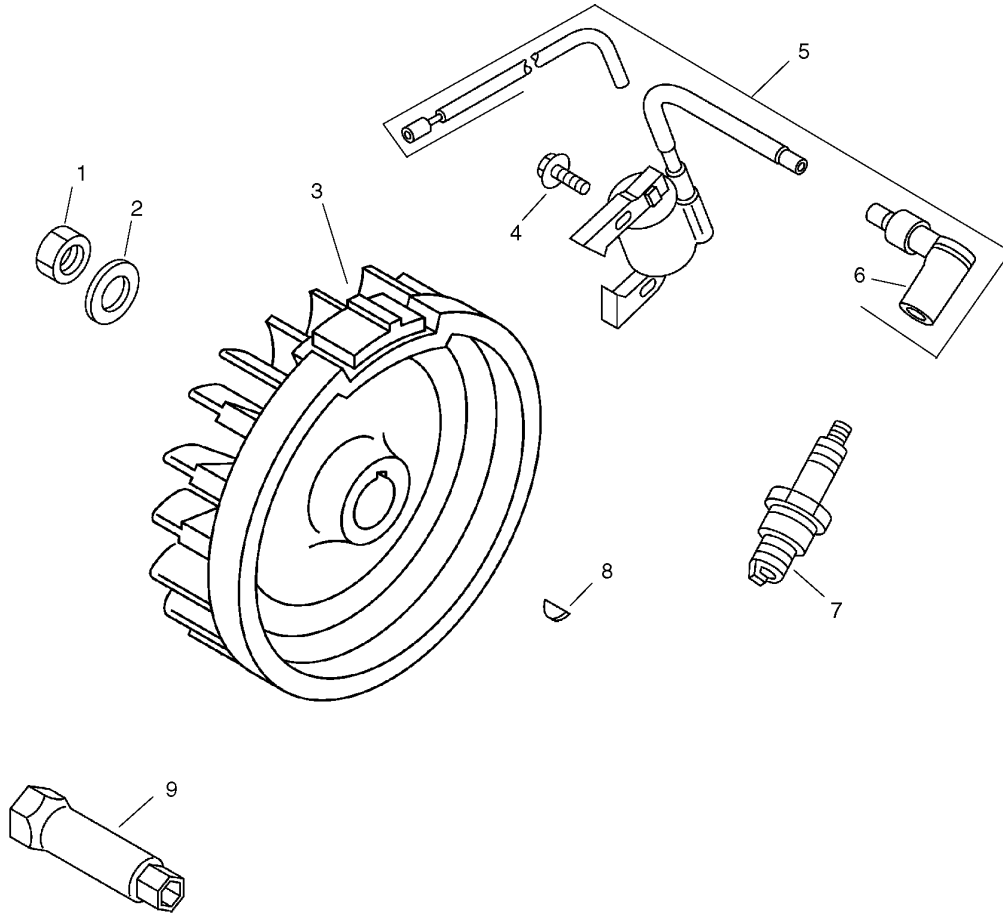
Ref	Part No.	Qty.	Description
❶	63 561 20-S	1	Crankcase
❷	63 032 02-S	2	Seal-Oil
❸	63 032 03-S	1	Seal-Shaft, Governor Cross
❹	63 067 01-S	1	Rod-Connecting
❺	63 211 01-S	2	Bolt, Connecting Rod
❻	63 874 04-S	1	Piston W/Ring Set (STD.)(Includes 7-9)
❼	63 874 05-S	1	Set-Piston W/Ring (.25)
❽	63 874 06-S	1	Set-Piston W/Ring (.50)
❾	63 018 02-S	2	Retainer-Pin, Piston
❿	63 380 02-S	1	Pin, Piston
⓫	63 108 01-S	1	Set-Ring (STD.)
⓬	63 108 02-S	1	Set-Ring (.25)
⓭	63 108 03-S	1	Set-Ring (.50)
⓮	63 380 04-S	2	Pin-Dowel
⓯	63 422 01-S	1	Shim-Crankshaft
⓰	63 041 07-S	1	Gasket-Plate, Closure
⓱	63 030 01-S	1	Bearing
⓲	63 144 03-S	1	Shaft-Governor
⓳	63 030 03-S	1	Bearing
⓴	63 030 02-S	2	Bearing
⓵	63 009 12-S	1	Plate, Closure (Includes 16)
⓶	63 155 01-S	1	Connector
⓷	63 086 31-S	8	Screw-Plate, Closure

Ref	Part No.	Qty.	Description
❷❶	63 012 04-S	1	Camshaft (Includes 21)
❷❷	63 089 01-S	1	Spring-Acr
❷❸	63 144 16-S	1	Shaft, Balance
❷❹	63 144 01-S	1	Shaft-Cross, Governor
❷❺	63 154 01-S	1	Clip
❷❻	63 468 03-S	2	Washer
❷❼	63 041 01-S	2	Gasket-Plug
❷⓴	63 139 01-S	2	Plug-Drain



Head, Valve and Breather Assembly Kohler CS12 PA-941621

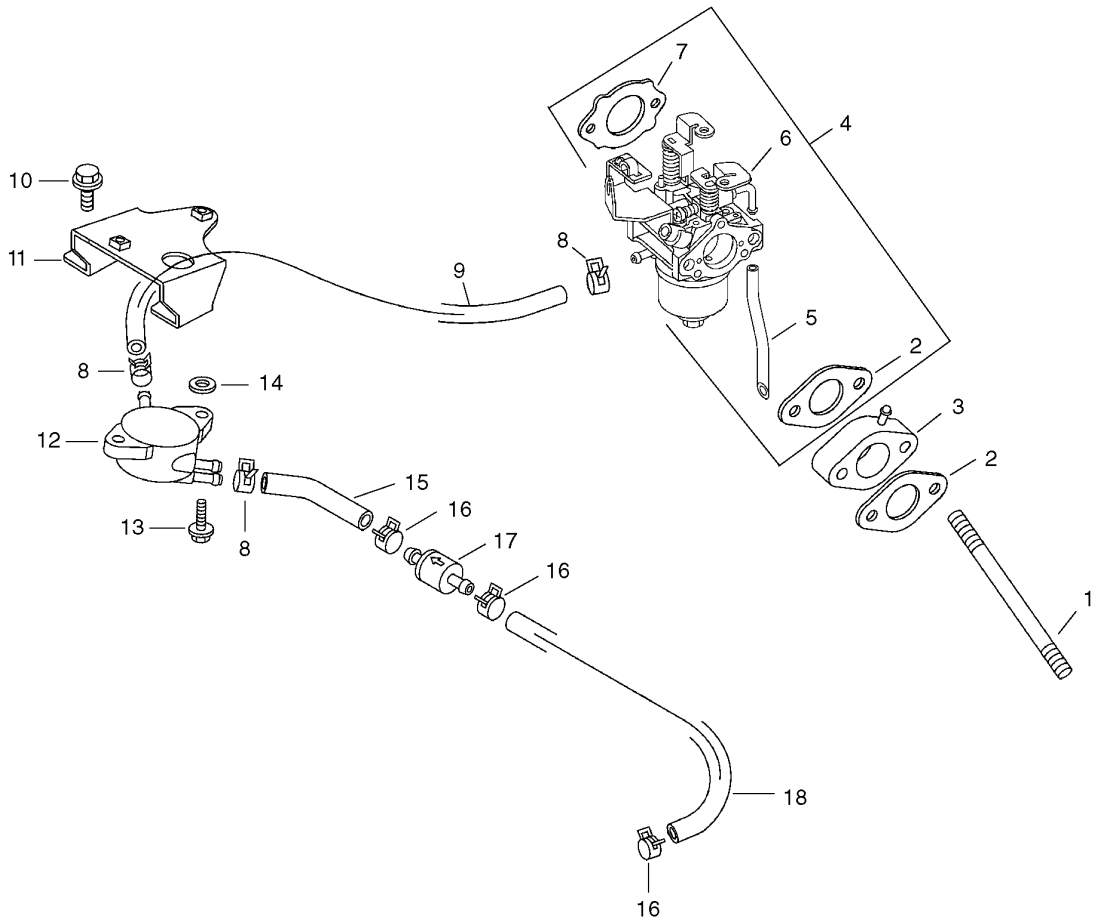
Ref	Part No.	Qty.	Description
❶	63 086 02-S	3	Screw-Cover, Valve
❷	63 086 44-S	1	Screw-Cover, Valve
❸	63 096 18-S	1	Cover, Valve
❹	63 041 04-S	1	Gasket-Cover, Valve
❺	63 086 01-S	4	Screw-Head, Cylinder
❻	63 318 07-S	1	Head, Cylinder
❼	63 380 03-S	2	Pin-Dowel
❽	63 041 44-S	1	Gasket, Cylinder Head
❾	63 086 05-S	2	Screw-Adjusting, Valve
❿	63 100 02-S	2	Nut
⓫	63 186 01-S	2	Arm-Rocker
⓬	63 144 06-S	1	Shaft-Arm, Rocker
⓭	63 462 01-S	2	Keeper-Valve
⓮	63 173 01-S	2	Cap-Spring, Valve
⓯	63 089 05-S	2	Spring-Valve
⓰	63 032 01-S	1	Seal-Stem, Valve
⓱	63 017 01-S	1	Valve-Intake
⓲	63 016 01-S	1	Valve-Exhaust
⓳	63 411 01-S	2	Rod-Push
⓴	63 351 01-S	2	Lifter-Valve



Ignition and Electrical Assembly Kohler CS12 PA-941621

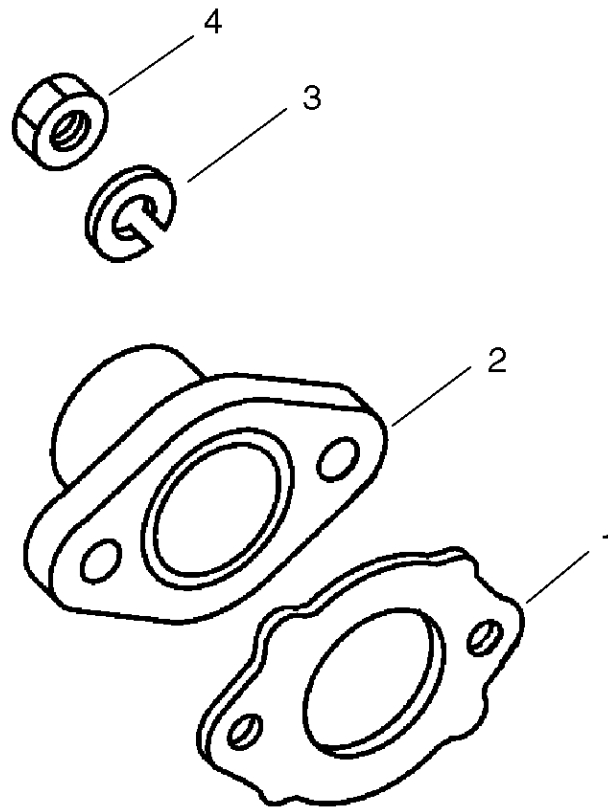
Ref	Part No.	Qty.	Description
❶	63 100 04-S	1	Nut-Flywheel
❷	63 468 06-S	1	Washer-Flywheel
❸	63 025 12-S	1	Flywheel
❹	63 086 13-S	2	Screw
❺	63 755 19-S	1	Kit, Ignition Module
❻	63 173 02-S	1	Cap-Plug, Spark
❼	63 132 01-S	1	Plug-Spark
❽	63 340 02-S	1	Key-Woodruff
❾	63 213 01-S	1	Wrench-Plug, Spark

--	--	--	--



Fuel System Assembly Kohler CS12 PA-941621

Ref	Part No.	Qty.	Description
1	63 072 06-S	2	Stud-Carburetor
2	63 041 13-S	2	Gasket-Intake
3	63 164 01-S	1	Manifold-Intake
4	63 853 22-S	1	Kit, Carburetor W/Gaskets (Incl. 2 [qty 1], 5, 6)
5	63 053 22	1	Carburetor ASM (For Information Only Not Available Separately)(Service With: 63 757 02-S, 63 757 10-S)
6	63 041 08-S	1	Gasket-Cleaner, Air
7	63 154 07-S	3	Clip
8	63 353 07-S	1	Hose-Pump To Carburetor
9	63 086 21-S	2	Screw-Bracket
10	63 126 22-S	1	Bracket-Pump, Fuel
11	63 393 01-S	1	Pump-Fuel
12	63 086 81-S	2	Screw-Fuel Pump To Bracket
13	63 041 45-S	2	Gasket-Pump, Fuel
14	63 353 06-S	1	Hose-Filter To Pump
15	63 237 19-S	3	Clamp-Line, Vacuum
16	63 050 06-S	1	Filter-Line, Vacuum
17	63 353 08-S	1	Hose-Vacuum, Crankcase To Filter
❶	63 757 02-S	1	Kit-Float
❶	63 757 10-S	1	Kit-Repair, Carburetor



Air Intake and Filtration Assembly Kohler CS12 PA-941621

Ref	Part No.	Qty.	Description				
1	63 041 08-S	1	Gasket-Cleaner, Air				
2	63 054 01-S	1	Elbow-Cleaner, Air				
3	63 468 31-S	2	Washer-Spring				
4	63 100 03-S	2	Nut-Exhaust				
1	63 113 28-S	1	Label-Emissions				

NOTES

