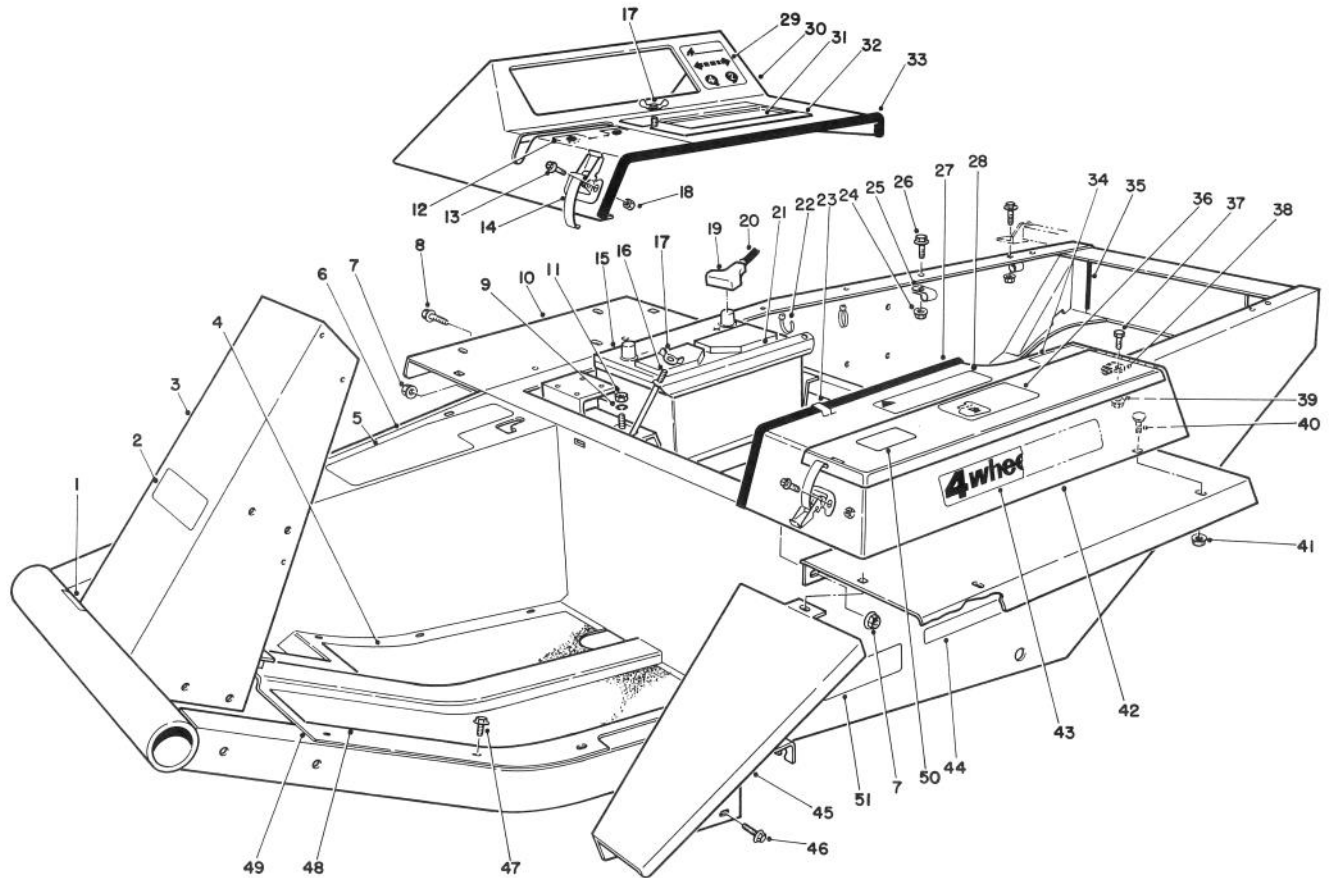


MODEL NO. 30795-10001 & UP  
 MODEL NO. 30722-10001 & UP  
 MODEL NO. 30710-10001 & UP

**PARTS  
 CATALOG**

**GROUNDMASTER® 322D 4 WHEEL DRIVE  
 (WITH POWER STEERING)**



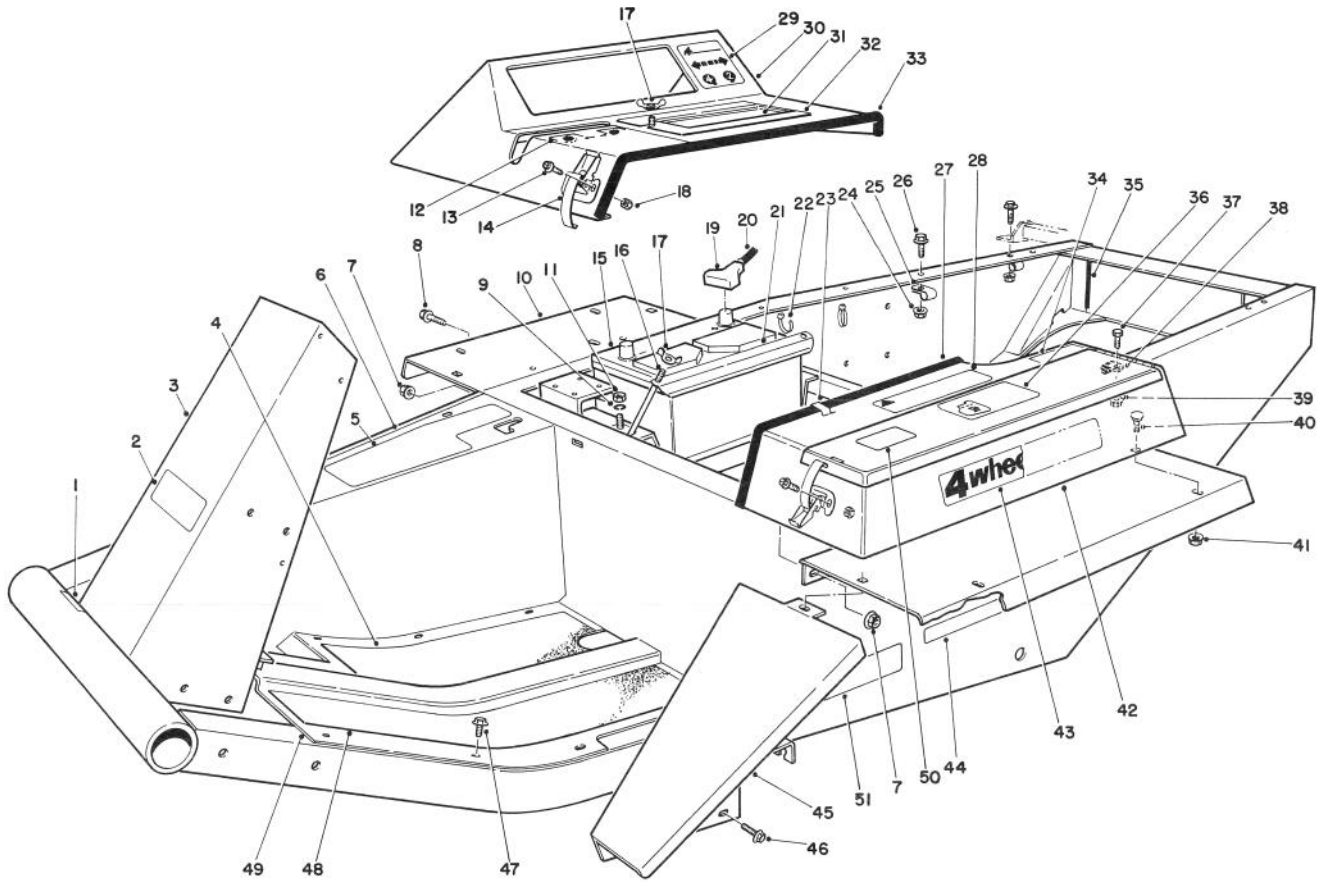
T-0910

**MAIN FRAME ASSEMBLY**

Ref. No.	Part No.	Description	No. Used
1	27-7320	Decal - Traction Pedal	1
2	63-3280	Decal - Toro	1
†3	72-3630	Frame (Incl. Ref. #7)	1
4	21-2770	Pad - Foot Rest, R.H.	1
5	66-6390	Decal - Caution	1
6	21-2660	Footrest	1
7	32128-21	Nut - Lock, Flange	6
8	3234-12	Screw - Hex. Hd. Flange	4
9	3253-4	Washer - Lock	2
10	72-3690	Fender	2
11	3217-6	Nut	2
12	27-7290	Decal- Power Take Off	1
13	3290-144	Screw - Machine	6
14	249-21	Clamp - Hook	3
15		Battery - Type MF214-78	1
16	24-6390	Stud - Battery Hold Down	2

Ref. No.	Part No.	Description	No. Used
17	32103-2	Nut - Wing	3
18	3296-2	Nut - Lock	6
19	28-1280	Boot - Cable	1
20	70-1180	Cable - Battery, Positive (Incl. Ref.#19)	1
21	24-6420	Hold Down - Battery	1
22	3290-378	Tie - Cable	2
23	2412-61	Clip - Tinnermann	2
24	3290-357	Nut - Lock, Flange	5
25	2412-4	Clamp	4
26	3234-11	Screw - Cap, Locking Fl.	5
27	37-9650	Trim	1
28	67-1710	Decal - Caution	1
29	71-4860	Decal - 4 WD Control	1
30	38-4550	Cover - Instruments	1
31	43-4290	Decal - Instructions, Start.	1
32	24-9740	Cover - Access, Battery	1

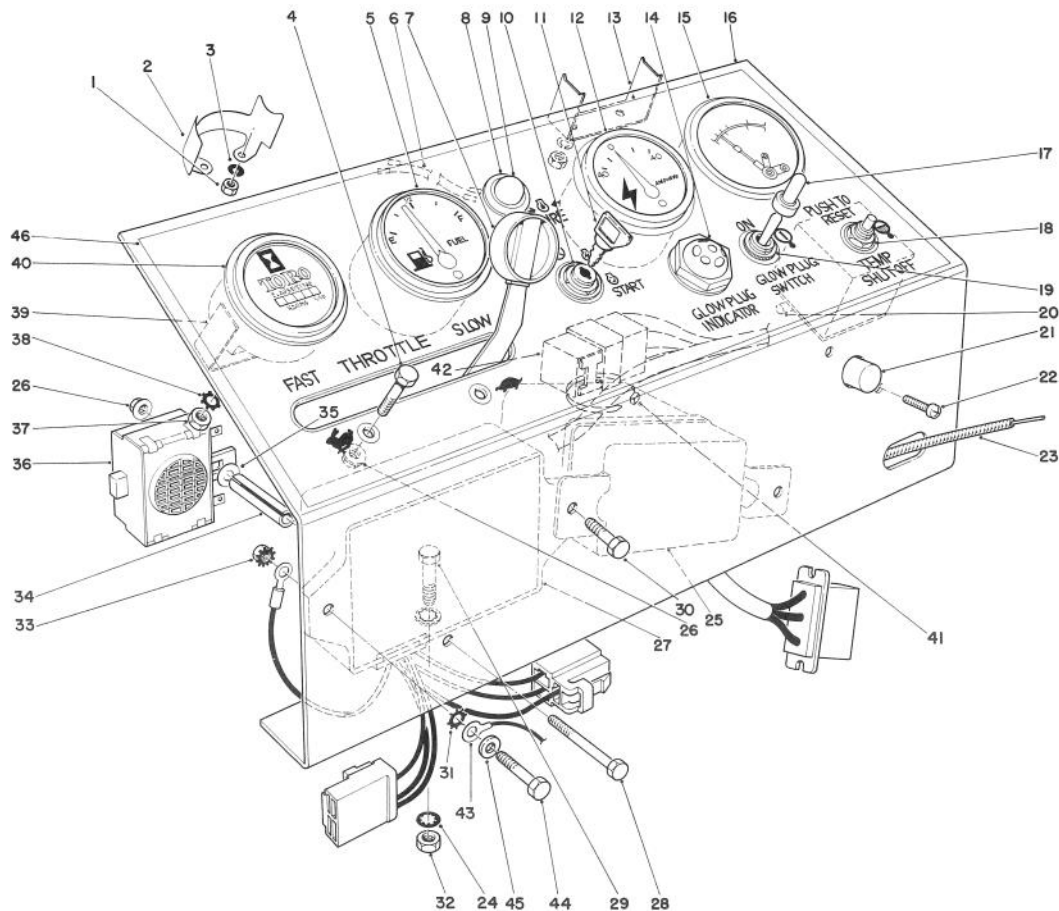
† Includes Item #27, Page 24



T-0910

## MAIN FRAME ASSEMBLY (Continued)

Ref. No.	Part No.	Description	No. Used	Ref. No.	Part No.	Description	No. Used
33	39-8020	Trim - Cover, Instruments	1	43	72-3560	Decal - 4 WD	2
34	49-2280	Decal - Fuel, Diesel	1	44	67-1720	Decal - Torque	2
35	43-4300	Trim - Frame, Rear	2	45	68-8610	Fender - Extension	1
36	27-7310	Decal - Refueling	1	46	3234-14	Screw - Cap, Hex. Hd.	2
37	322-5	Screw - Cap, Hex. Hd.	1	47	12-3270	Screw, Self-Tapping	11
38	2412-74	Clamp	1	48	21-2760	Pad - Foot Rest L.H.	1
39	32128-20	Nut - Lock, Flange	1	49	23-5220	Plate - Floor	1
40	3229-1	Bolt - Carriage	5	50	72-3700	Decal - Caution	2
41	32128-33	Nut - Lock, Flange	5	51	75-0810	Decal - Caution	2
42	38-4530	Tool Box	1				

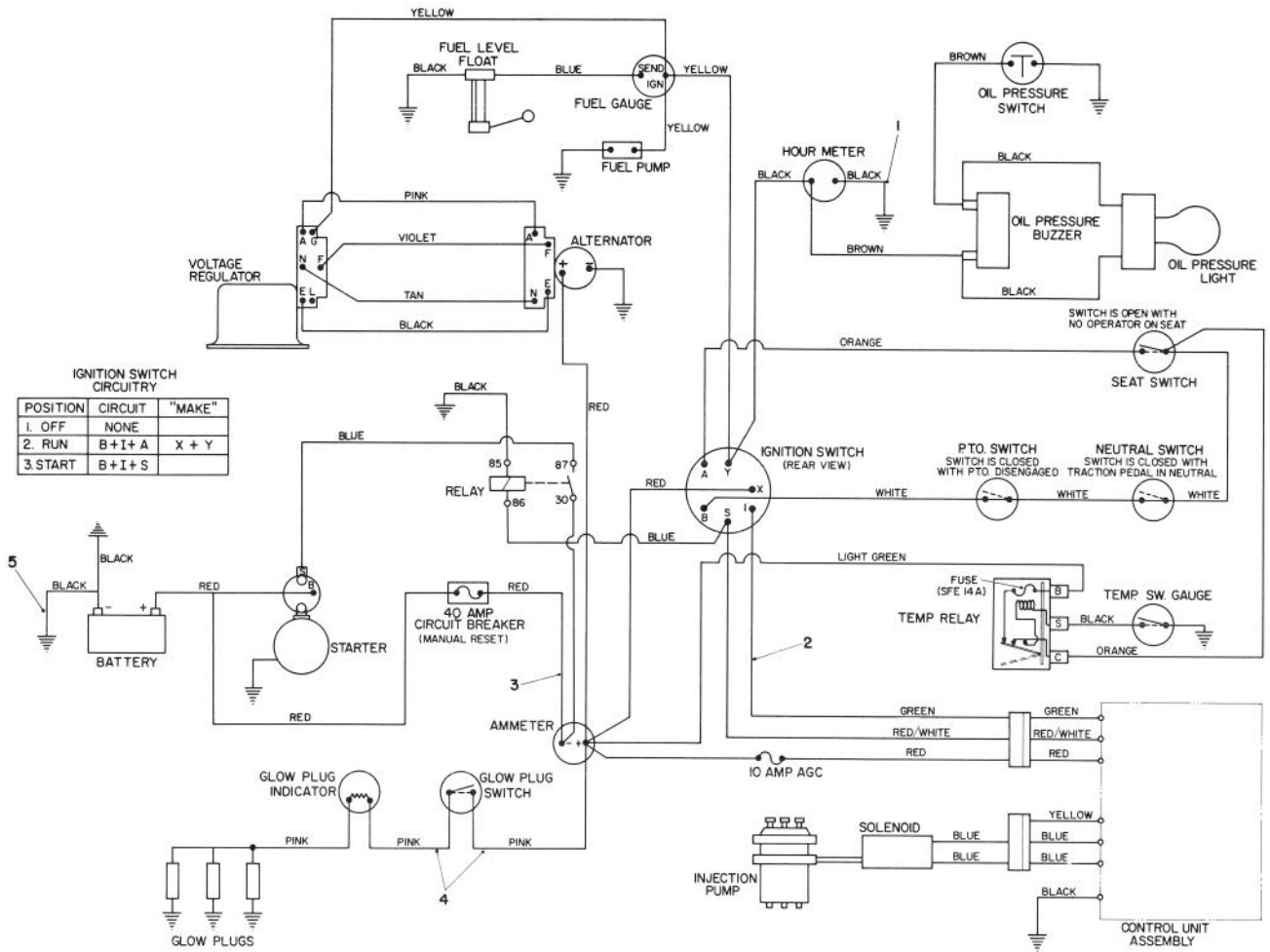


T-0408

## INSTRUMENT PANEL ASSEMBLY

Ref. No.	Part No.	Description	No. Used	Ref. No.	Part No.	Description	No. Used
1	3219-14	Nut	6	22	3250-17	Screw— Pan Hd.	2
2	38-1670	Clamp Mounting	2	23	43-3990	Throttle Control (Incl. Ref. #7)	1
3	3253-17	Washer - Lock	6	24	3254-2	Washer - Lock, Int. Tooth	2
4	3290-134	Screw - Hex. Hd. Mach.	2	25	43-0410	Regulator Assembly	1
5	38-1650	Fuel Gauge (Incl. Ref. #1-3)	1	26	32128-17	Nut - Lock, Flange Hd.	3
6	44-2220	Wire Lead		27	43-1880	Control Unit Assembly	1
7	233-35	Knob	2	28	3290-424	Screw - Hex. Hd. Mach.	1
8	44-2210	Warning Light (Incl. Ref. #9)	1	29	322-5	Screw - Cap, Hex. Hd.	2
9	218-533	Lens	1	30	321-4	Screw - Cap, Hex. Hd.	2
10	27-2360	Key Switch (Incl. Ref. #11)	1	31	3255-7	Washer - Lock, Ext. Tooth	3
11	63-8360	Key	1	32	3217-6	Nut - Hex	2
12	38-1660	Ammeter (Incl. Ref. #1-3)	1	33	32149-2	Nut - Lock	3
13	218-539	Clamp	1	34	43-3820	Spacer	1
14	42-9190	Glow Lamp	1	35	3256-14	Washer - Flat	1
15	26-6750	Engine Temperature Gauge (Incl. Ref. #1, 3, & 13)	1	36	22-7820	Buzzer Assembly	1
16	43-3970	Panel - Instrument	1	37	3217-26	Nut	1
17	218-473	Toggle Switch Boot	1	38	3254-1	Washer - Lock	1
18	26-6740	Temperature Reset Relay	1	39	218-515	Mounting Bracket	1
19	6-1659	Toggle Switch (Incl. Ref. #17)	1	40	12-9990	Hour Meter (Incl. Ref. #37-39)	1
†20		Fuse - Temp. Relay 14 Amp. SFE	1	41	3290-379	Cable Tie	1
21	43-4000	Circuit Breaker	1	42	63-7590	Relay	1
				43	70-1190	Cable—Ground	1
				44	321-6	Screw - Cap, Hex. Hd.	1
				45	3256-1	Washer - Flat	1
				46	43-3980	Decal - Panel, Instrument	1

†Obtain Locally

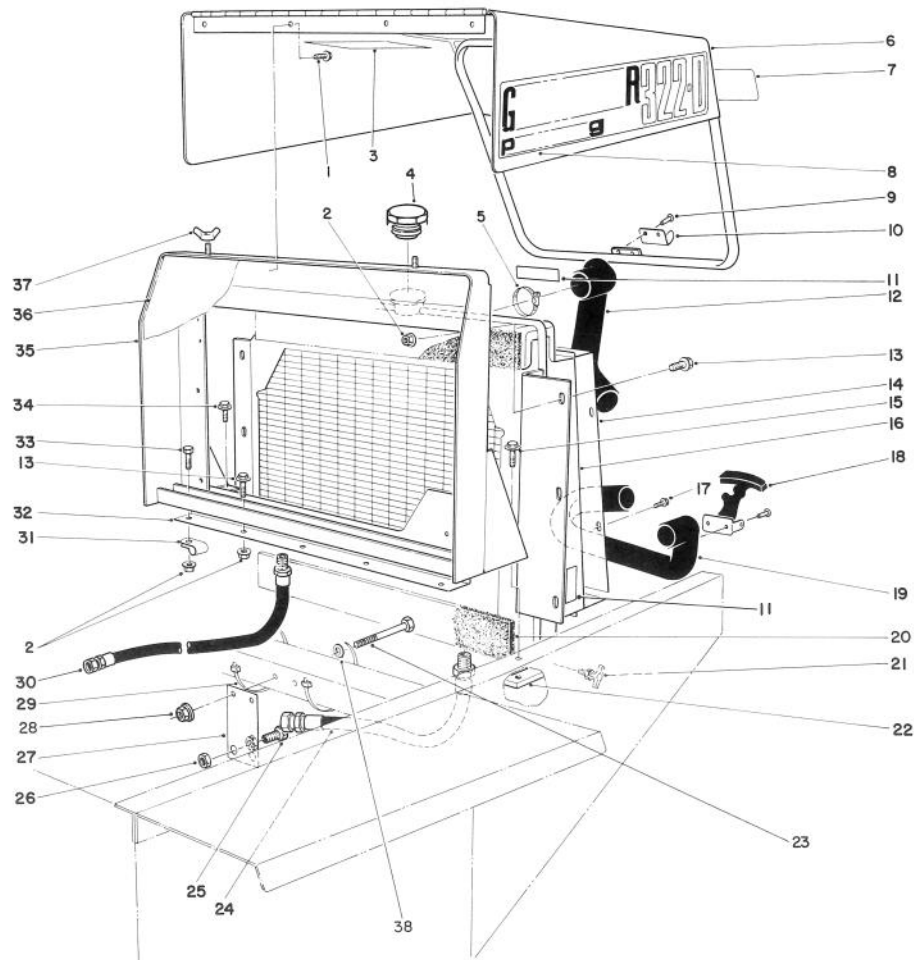


T-0409

# ELECTRICAL SCHEMATIC

Ref. No.	Part No.	Description	No. Used
1	21-2370	Wire - Hour Meter Ground	1
2	70-1230	Wire Harness Assembly	1
3	43-4040	Wire Assembly	1

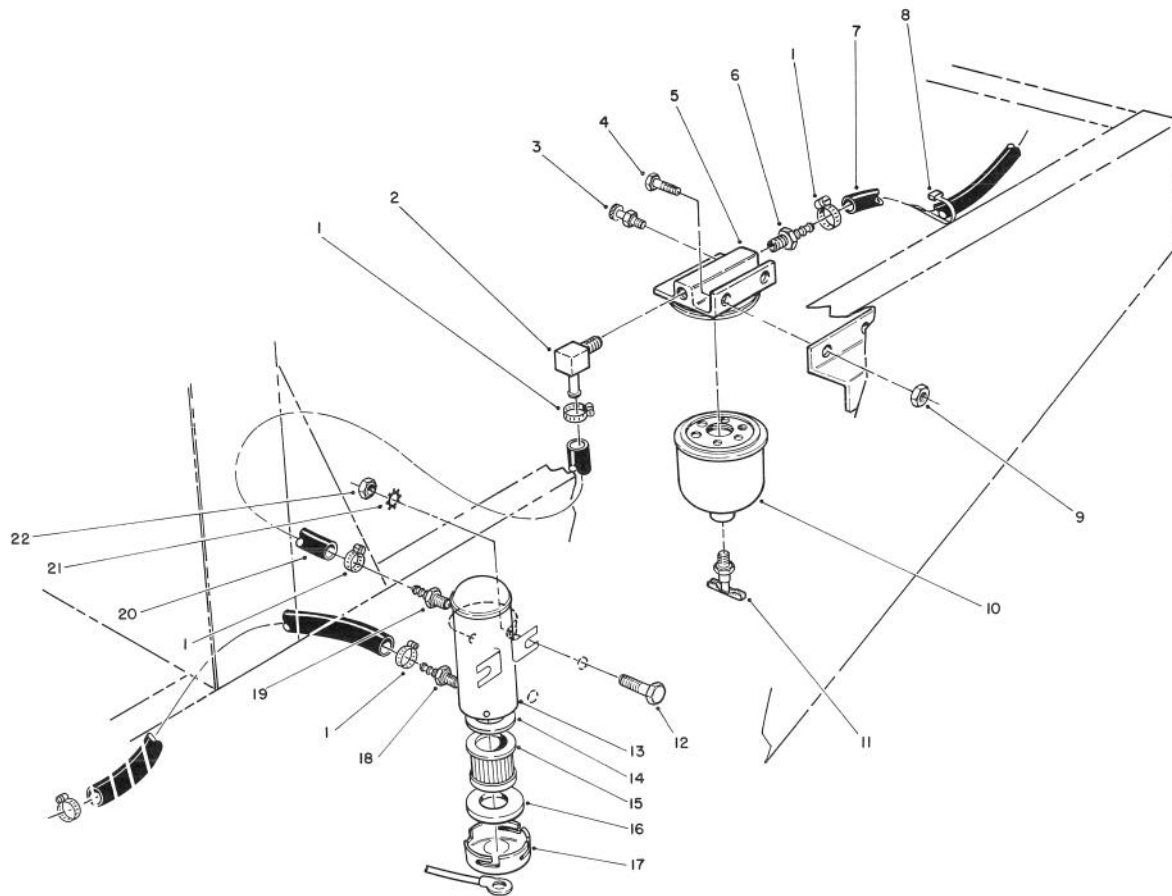
Ref. No.	Part No.	Description	No. Used
4	43-4010	Wire Assembly	2
5	70-1190	Ground Cable	1



T-0410

## RADIATOR & HOOD ASSEMBLY

Ref. No.	Part No.	Description	No. Used	Ref. No.	Part No.	Description	No. Used
1	32144-10	Screw - Self-Tapping	4	21	304-46	Drain Cock	1
2	32128-20	Nut - Hex. Hd. Flange	11	22	38-4600	Bar - Frame L.H.	1
3	26-7530	Decal - Engine Coolant	1	23	323-14	Screw - Cap, Hex. Hd.	2
4	66-3240	Radiator Cap Assy.	1	24	63-9010	Hose Assembly (Cooler to Pump)	1
5	2412-3	Hose Clamp	4	25	340-71	Union - Bulkhead	2
6	12-5899	Hood	1	26	340-70	Nut - Lock, Bulkhead	2
7	66-6140	Decal - Toro	1	27	68-9160	Bracket	1
8	67-7760	Decal - 322-D	2	28	32128-21	Nut - Flange Hd.	2
9	3269-16	Rivet	4	29	3290-379	Cable Tie	4
10	249-40	Keeper	1	30	63-8960	Hose Assembly (Valve to Cooler)	1
11	77-3100	Decal -Warning	3	31	2412-4	Clamp	1
12	43-3350	Hose - Upper, Radiator	1	32	43-3340	Grille - Sealing Plate	1
13	3234-14	Screw - Hex, Flange Hd.	11	33	322-5	Screw - Cap, Hex. Hd.	1
14	43-3330	Radiator Shroud	1	34	11-0590	Screw - Cap, Self Tapping	2
15	3234-1	Screw - Cap, Locking Hex. Flange Hd.	2	35	43-3390	Radiator Support	1
16	33-2570	Radiator Assembly	1	36	43-3410	Grille	1
17	32104-116	Screw -Self Tapping	8	37	32103-2	Nut - Wing	2
18	249-39	Flexible Draw Latch	1	38	5-0838	Washer - Flat	3
19	43-7020	Hose - Lower, Radiator	1				
20	43-3320	Foam - Radiator	2				

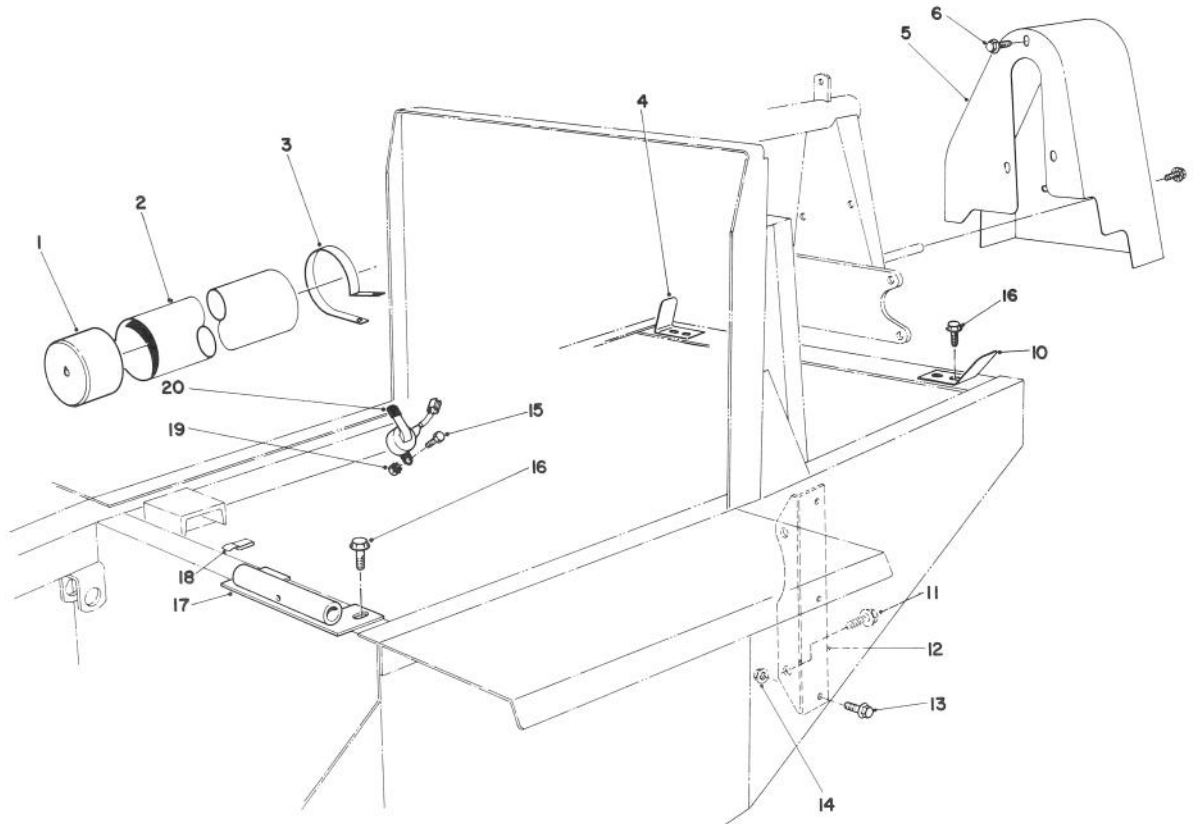


T-0411

## FUEL FILTER ASSEMBLY

Ref. No.	Part No.	Description	No. Used
1	2412-108	Hose Clamp	5
2	304-96	90° Hose Barb	1
3	63-8290	Vent	1
4	321-4	Screw - Cap, Hex. Hd.	2
5	63-8280	Head Assembly	1
6	353-975	Hose Barb	1
7	63-9720	Hose	1
8	3290-378	Cable Tie	A/R
9	32149-2	Nut	2
10	63-8300	Element - Fuel Filter (Incl. Ref. #11)	1
11	63-8310	Drain Valve	1

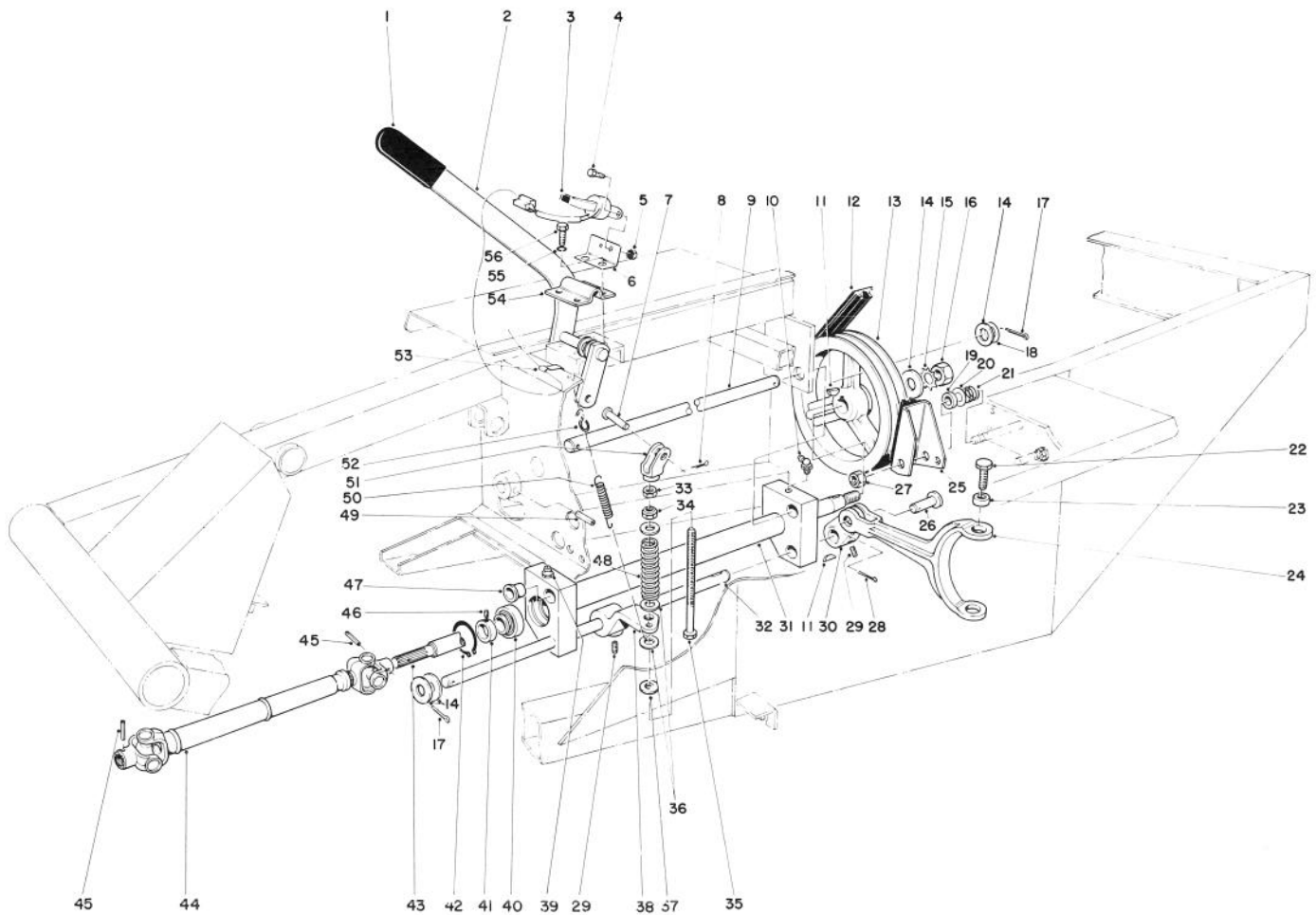
Ref. No.	Part No.	Description	No. Used
12	321-6	Screw - Cap, Hex. Hd.	2
13	53-8150	Pump Assy. Fuel, Electric (Incl. Ref. #14-17)	1
14	43-2570	Gasket	1
15	43-2550	Filter	1
16	43-2560	Gasket	1
17	43-2580	Magnet	1
18	353-702	Hose Barb	1
19	304-73	Hose Barb	1
20	63-9650	Hose	1
21	3255-7	Washer - Lock, Ext. Tooth	2
22	32149-2	Nut	2



T-0412

## INTERLOCK ASSEMBLY

Ref. No.	Part No.	Description	No. Used	Ref. No.	Part No.	Description	No. Used
1	65-5890	Cap	2	13	3234-11	Screw w/Locking Flange	6
2	65-5870	Tube - Manual	1	14	3290-357	Nut - Lock, Flange	6
3	2412-102	R-Clamp	2	15	321-2	Screw - Cap, Hex. Hd.	2
4	62-3010	Bracket, R.H.	1	16	3234-17	Screw - Cap, Hex. Hd.	6
5	43-3900	Guard - Fan Belt	1	17	27-9810	Seat Pivot	1
6	3234-14	Screw - Cap, Hex. Hd.	5	18	212-93	Wire Clip	2
9	3256-23	Washer - Flat	1	19	3296-42	Nut - Lock	1
10	62-3020	Bracket L.H.	1	20	29-6930	Switch	1
11	3234-32	Screw - w/Locking Flange	2	21	322-2	Screw - Cap, Hex. Hd.	2
12	67-8190	Bracket - Engine Support	2	22	3256-23	Washer - Flat	2

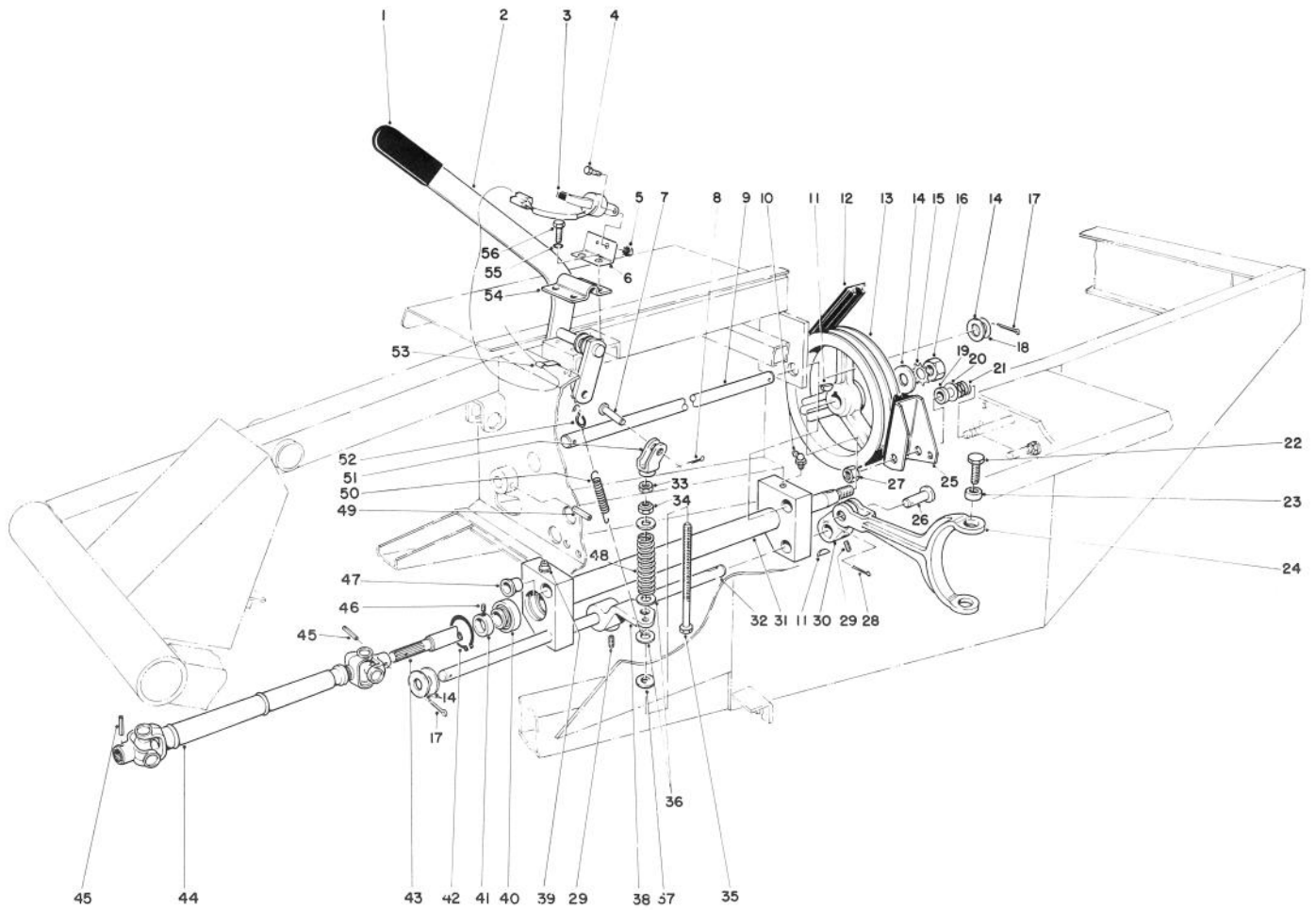


T-0413

## POWER TAKE OFF ASSEMBLY

Ref. No.	Part No.	Description	No. Used
1	21-1880	Grip Handle	1
2	21-1550	Lever—P.T.O.	1
3	29-6930	Switch Arm	1
4	321-2	Screw - Cap, Hex. Hd.	1
5	3296-42	Nut - Lock	1
6	27-7260	Mount - Arm Switch	1
7	283-42	Clevis Pin	1
8	3272-10	Cotter Pin	1
9	43-3860	Shaft - Pivot P.T.O.	1
10	302-10	Fitting -Fitting	1
11	3257-5	Key - Woodruff	3
12	53-9660	V-Belt Torque Team	1
13	21-0230	Pulley P.T.O.	1
14	3256-28	Washer - Flat	4
15	3254-7	Washer - Lock	1
16	3219-7	Nut - Hex.	1
17	3272-22	Pin - Cotter	2
18	3-6498	Washer	A/R
19	3-8812	Spacer	1
20	3256-6	Washer - Flat	1
21	5-1747	Spring	1
22	30-2120	Screw - Cap, Hex. Hd.	2
23	43-3800	Bushing - P.T.O. Fork	2
24	43-5610	Fork P.T.O.	1
25	27-7370	Brake Assembly P.T.O.	1
26	283-8	Clevis Pin	1

Ref. No.	Part No.	Description	No. Used
27	3296-28	Nut - Lock	1
28	3272-11	Pin - Cotter	1
29	3246-3	Screw - Set	4
30	43-5590	Arm - P.T.O.	1
31	43-5500	Pivot P.T.O.	1
32	43-5550	Shaft - Actuator P.T.O.	1
33	3219-3	Nut	1
34	3296-6	Nut - Lock	1
35	27-7900	Screw - Adjusting	1
36	3256-41	Washer - Flat	3
37	5-0652	Spacer	1
38	43-5570	Arm, Actuator - P.T.O.	1
39	302-2	Grease Fitting	1
40	251-252	Ball Bearing (Incl. Ref. #41)	2
41	251-234	Lock Collar (Incl. Ref. #46)	2
42	32120-22	Ring - Retaining	2
43	43-5540	Shaft P.T.O.	1
44	62-4260	Drive Shaft Assembly	1
45	32121-34	Pin - Roll	2
46	3245-1	Screw - Set	2
48	21-0400	Spring - Compression	1
49	32121-9	Pin - Roll	1
50	21-1830	Spring - Tension	1
51	43-5630	Yoke - P.T.O.	1

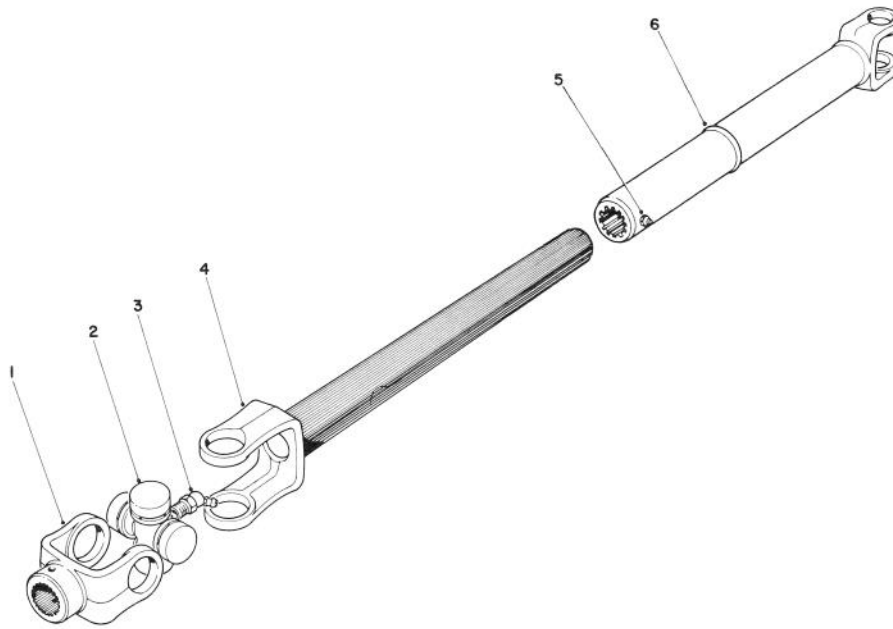


T-0413

## POWER TAKE OFF ASSEMBLY (Continued)

Ref. No.	Part No.	Description	No. Used
52	5-0701	Spring Anchor	1
53	212-93	Wire Clip	1
54	21-1600	Clamp P.T.O. Lever	1

Ref. No.	Part No.	Description	No. Used
55	3253-21	Washer - Lock	4
56	32104-6	Screw - Hex. Hd. Tapping	4

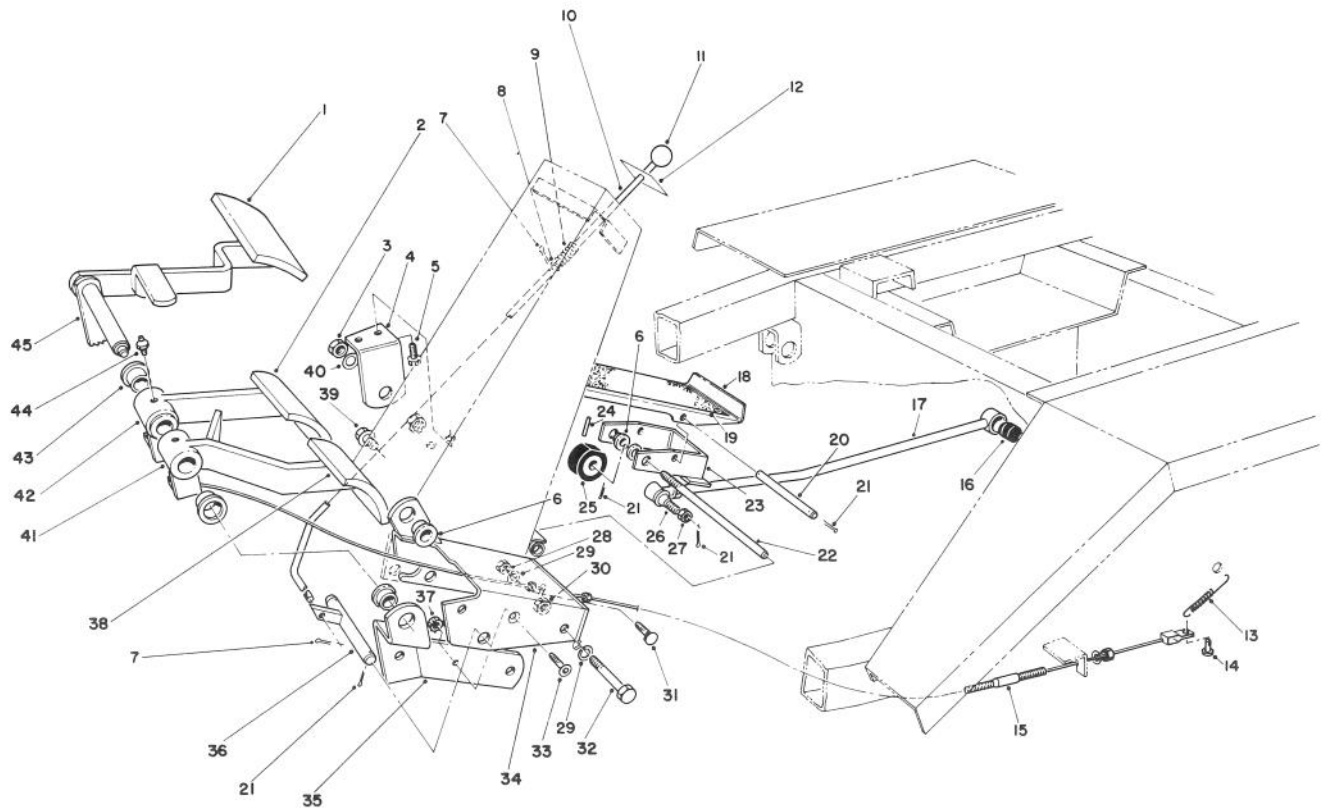


T-0414

## DRIVE SHAFT ASSEMBLY NO. 62-4260

Ref. No.	Part No.	Description	No. Used
1	62-3800	End Yoke	2
2	54-9180	U-Joint Kit	2
3	62-3820	Grease Fitting	2

Ref. No.	Part No.	Description	No. Used
4	62-3290	Slip Yoke Shaft	1
5	62-3880	Grease Fitting	1
6	62-3790	Slip Yoke Tube	1



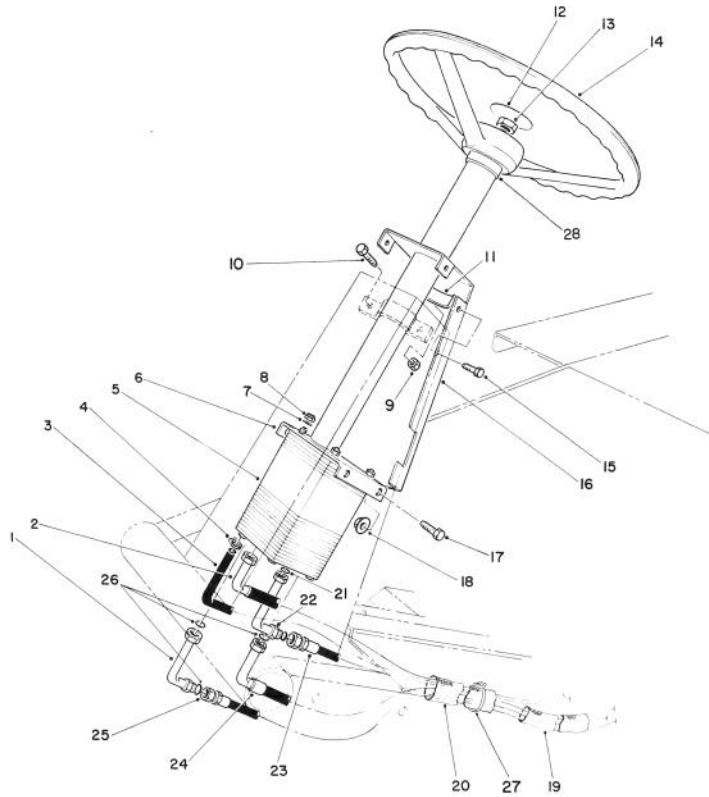
T-0415

## BRAKE PEDAL ASSEMBLY

Ref. No.	Part No.	Description	No. Used
1	7-3900	Pad - Brake	1
2	27-7580	Pad - Right Turn	1
3	3218-5	Nut - Jam	2
4	21-2850	Mount - R.H. Pedal	1
5	11-0590	Screw - Hex. Hd. Tapping	2
6	256-156	Bushing	5
7	3272-5	Pin - Cotter	3
8	3256-22	Washer - Flat	1
9	3-3251	Spring - Compression	1
10	63-9270	Rod - Brake Latch	1
11	233-17	Knob	1
12	66-6190	Decal - Parking Brake	1
13	3-7243	Spring - Extension	2
14	283-58	Pin - Clevis	2
15	21-3380	Cable - L.H. Brake	1
*	21-3370	Cable - R.H. Brake	1
16	23-2270	Bushing - Rubber	1
17	23-2240	Rod - Pump Control	1
18	28-5190	Pedal - Traction	1
19	28-5130	Pad - Pedal	1
20	28-5240	Pin - Traction Pedal	1
21	3272-6	Pin - Cotter	7
22	28-5210	Shaft - Traction Pedal	1
23	28-5160	Bracket - Pivot (Inc. Ref. #6)	1

Ref. No.	Part No.	Description	No. Used
24	32121-16	Pin - Roll	1
25	28-5220	Wheel - Friction	1
26	21-0140	Socket Assembly R.H.	1
27	3220-5	Nut - Jam	1
28	3217-7	Nut - Hex	2
29	3253-21	Washer - Lock	4
30	32153-2	Nut - Lock	2
31	3231-21	Bolt - Carriage	2
32	323-13	Screw - Cap, Hex. Hd.	2
33	3274-47	Screw - Flat Hd. Socket	1
34	27-7590	Mount - Brake	1
35	27-9270	Mount - Brake Pivot Shaft	1
36	27-7640	Shaft - Brake Latch	1
37	32149-2	Nut	1
38	27-7570	Pad - Left Turn	1
39	3234-11	Screw - Cap, Hex. Hd.	3
40	3256-26	Washer - Flat	1
41	27-7490	Pedal - L.H. Brake (Incl. Ref. #43)	1
42	27-7510	Pedal - R.H. Brake (Incl. Ref. #43)	1
43	256-10	Bushing	4
44	302-5	Fitting - Grease	2
45	27-8550	Pedal - Parking Brake	1

\*Not Illustrated

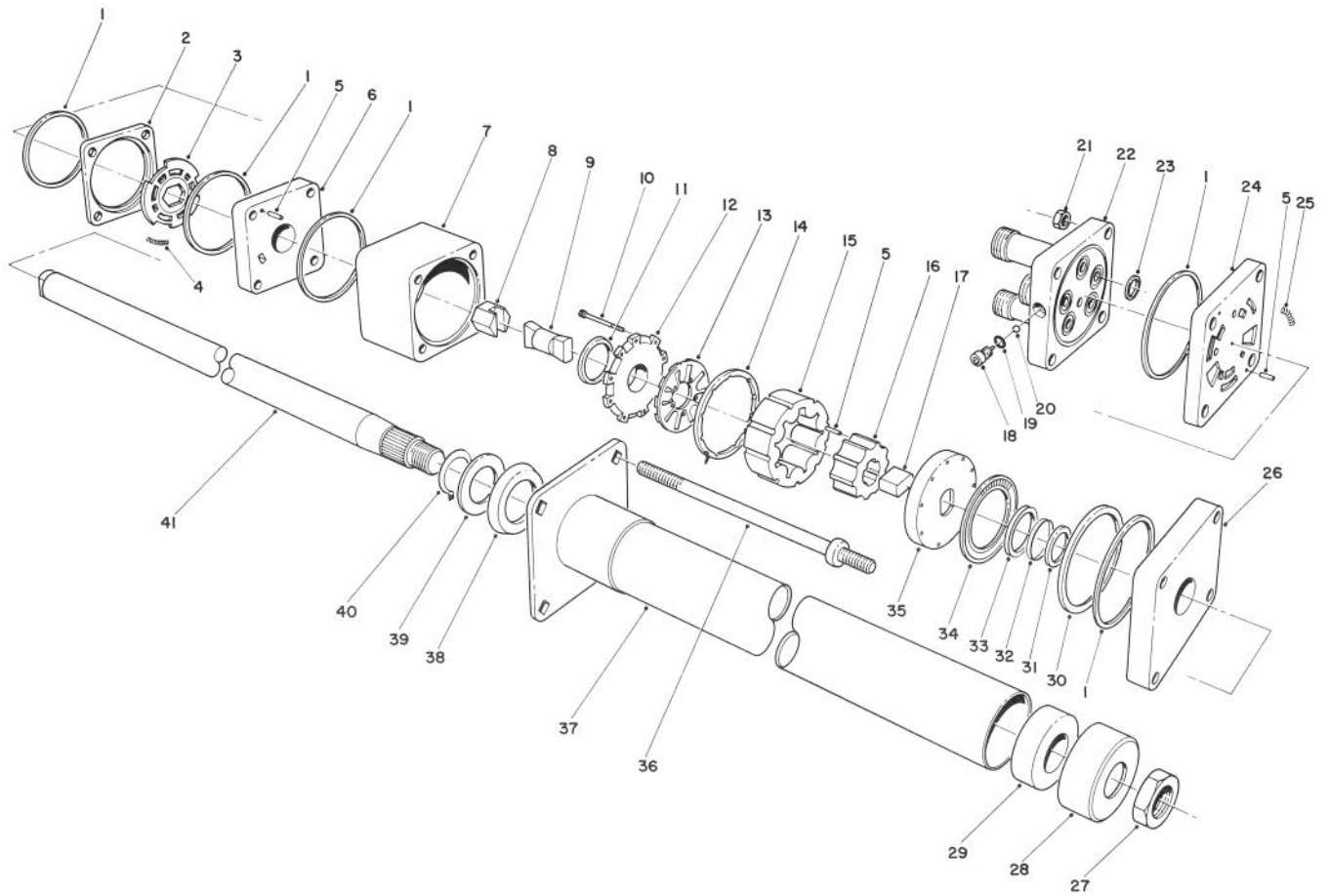


T-0416

## POWER STEERING ASSEMBLY

Ref. No.	Part No.	Description	No. Used
1	66-1740	90° Elbow	1
2	63-8980	Hose - Aux. Valve	1
3		Hose	1
4	2412-36	Clamp	2
5	63-9250	Valve - Power Steering	1
6	63-8870	Bracket - Column Mount	1
7	3256-3	Washer - Flat	4
8	3296-4	Nut - Lock	4
9	3296-29	Nut - Lock	2
10	322-5	Screw - Cap, Hex. Hd.	2
11	66-8890	Clamp Half	1
12	24-2090	Cap - Steering Wheel	1
13	66-9760	Nut - Hex	1
14	24-2000	Wheel - Steering	1

Ref. No.	Part No.	Description	No. Used
15	32144-10	Screw - Thread Form	6
16	66-1680	Cover - Tower	1
17	323-3	Screw - Cap, Hex. Hd.	4
18	3290-357	Nut - Hex. Flange	4
19	70-1390	Sleeve - Protective	1
20	70-1380	Sleeve - Protective	1
21	237-30	O-Ring	2
22	66-1730	90° Elbow	1
23	63-8970	Hose - Trans/Str.	1
24	68-9730	Hose - Str./Cyl.	1
25	68-9720	Hose - Cyl./Str.	1
26	237-22	O-Ring	2
27	3290-378	Tie - Cable	2
28	21-9260	Dust Cover	1



T-0417

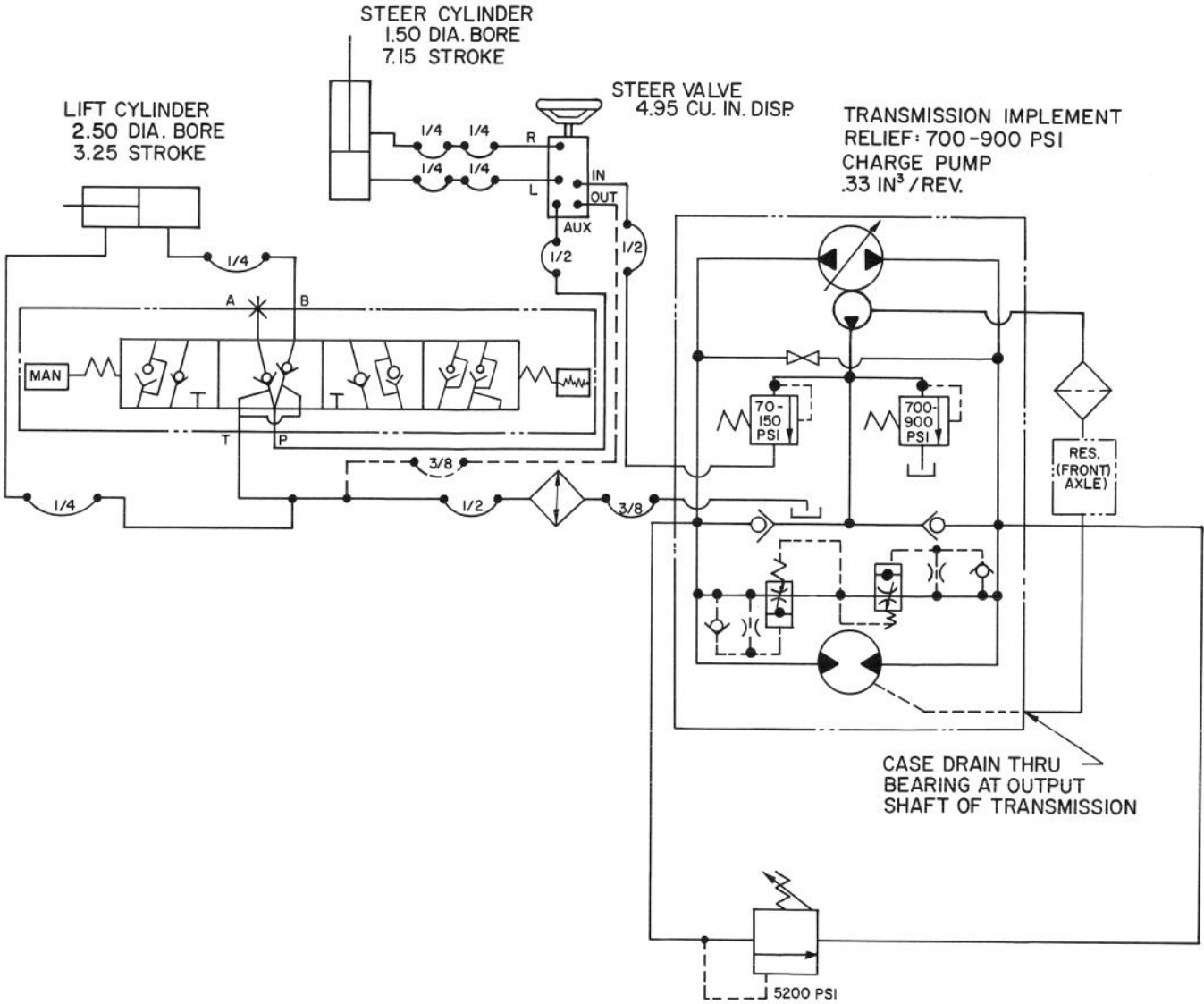
## POWER STEERING VALVE ASSEMBLY NO. 63-9250

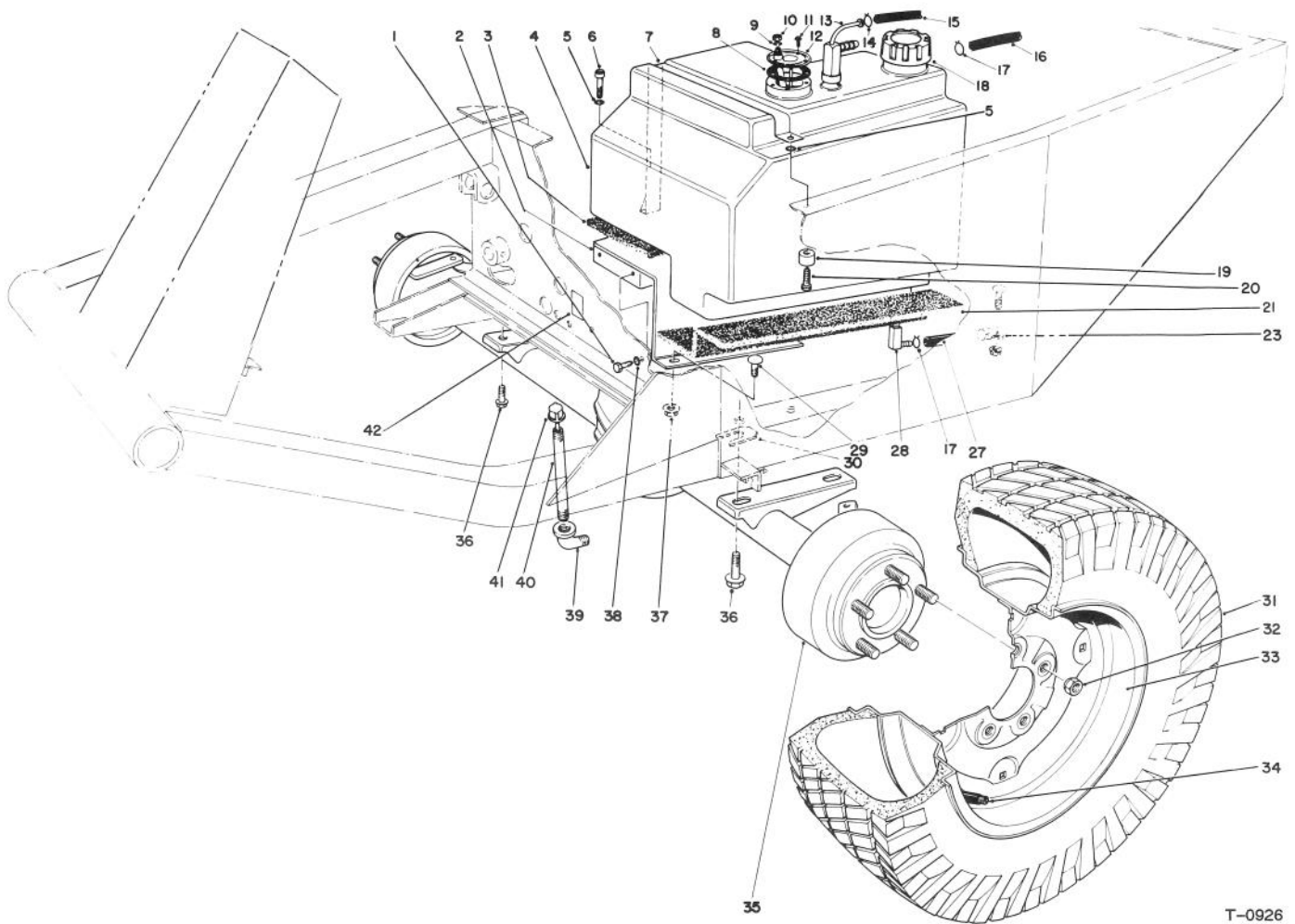
Ref. No.	Part No.	Description	No. Used
1		Ring - Seal	5
2		Ring - Valve	1
3		Plate - Valve	1
4		Spring	3
5		Pin - Alignment	9
6		Manifold - Isolation	1
7		Ring - Metering	1
8		Hex Drive Assy.	1
9		Link - Drive	1
10		Screw - Hex. Hd. Socket	11
11		Seal - Commutator	1
12		Cover - Commutator	1
13		Commutator	1
14		Ring - Commutator	1
15		Stator	1
16		Rotor	1
17		Spacer - Drive Link	1
18		Plug	1
19		O-Ring	1
20		Ball	1
21		Nut - Hex	4
22		Cover - Port	1

Ref. No.	Part No.	Description	No. Used
23		O-Ring	5
24		Manifold - Port	1
25		Spring	3
26		Plate - Upper Cover	1
27	3220-6	Nut	1
28	66-9770	Seal	1
29	66-9780	Bushing	1
30		Spacer - Thrust Bearing	1
31		Spacer - Seal	1
32		Ring - Back Up	1
33		Seal-Face	1
34		Bearing - Thrust	1
35		Plate - Drive	1
36	66-9850	Bolt - Special	4
37	66-9860	Upper Cover & Jacket	1
38	66-9870	Plate - Retaining	1
39	66-9880	Washer - Retaining Plate	1
40	66-9890	Ring - Retaining	1
41	66-9900	Shaft - Input	1
*	66-9970	Spring Kit	1
*	66-9980	Seal Kit	1
*	66-9990	Needle Roller Kit	1

\*Not Illustrated

# HYDRAULIC SCHEMATIC





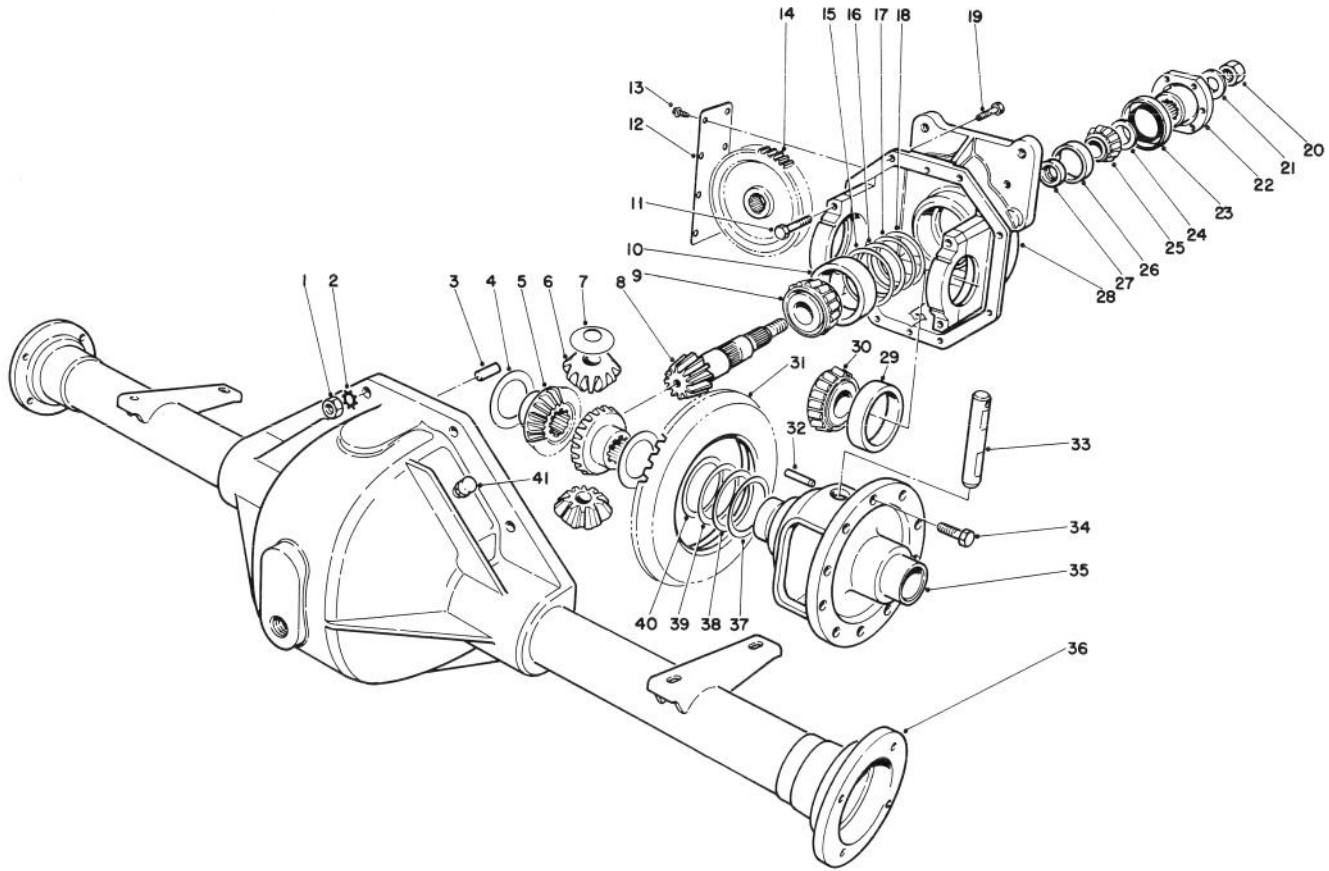
T-0926

## FRONT AXLE & FUEL TANK ASSEMBLY

Ref. No.	Part No.	Description	No. Used
1	32104-6	Screw - Self Tapping	2
2	68-9760	Fuel Tank Base	1
3	21-3600	Foam - Tank Support	1
4	43-4150	Fuel Tank (Incl. Ref. #13 & 14)	1
5	3253-3	Washer - Lock	2
6	32104-96	Screw - Cap, Hex. Hd.	1
7	37-9550	Strap - Fuel Tank	1
8	62-7650	Gasket	1
9	3253-17	Washer - Lock	1
10	3219-14	Nut	1
11	32144-53	Screw - Thread Forming	5
12	62-6840	Sender - Fuel Level	1
13	43-4160	Fitting - Return & Vent	1
14	2412-79	Clamp	1
15	43-4230	Hose - Return	1
16	43-5690	Hose - Vent, Fuel Tank	1
17	2412-6	Clamp	2
18	55-3572	Fuel Cap	1
19	22-7810	Spacer	1

Ref. No.	Part No.	Description	No. Used
20	321-6	Screw - Cap, Hex. Hd.	1
21	21-3610	Foam - Tank Support	1
23	2412-41	Clamp	1
27	63-9640	Hose - Fuel	1
28	43-41 90	Fitting Assembly	1
29	3230-2	Bolt - Carriage	3
30	42-6080	Shim - Axle	A/R
31	231-101	Tire	2
32	23-7270	Nut - Wheel	10
33	217-117	Rim	2
34	232-31	Valve Stem w/Cap	2
35	71-4390	Front Axle Assembly	1
36	32144-67	Screw - Cap, Thd. Forming	4
37	32128-20	Nut - Flange	3
38	3253-21	Washer - Lock	2
39	2811-9	Street Elbow	1
40	289-37	Nipple - Pipe	1
41	23-5180	Dipstick	1
42	53-4430	Decal - Oil	1
*	231-90	Tube - Inner	2

\*Not Illustrated



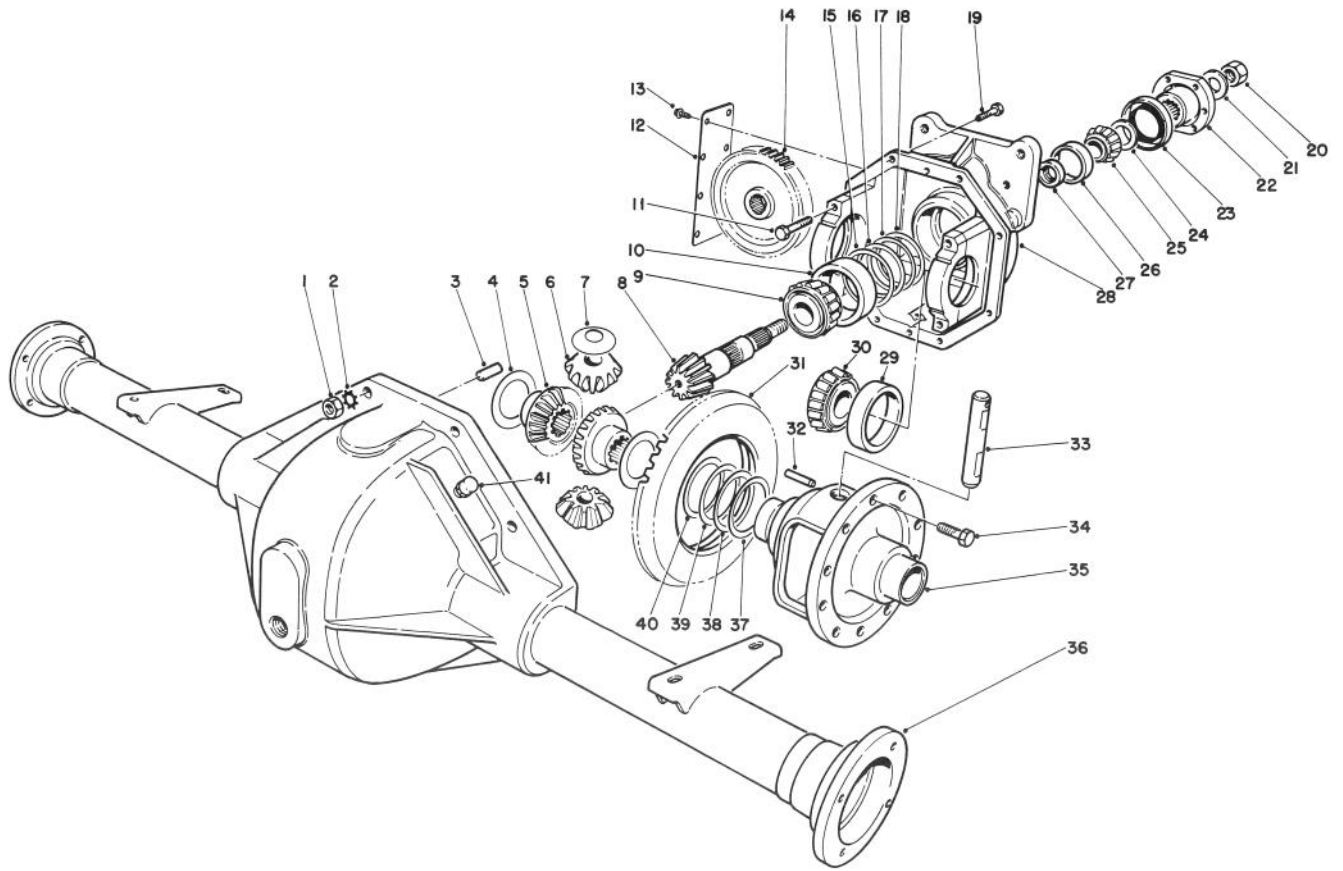
T-0905

## FRONT AXLE ASSEMBLY NO. 71-4390

Ref. No.	Part No.	Description	No. Used
1	3219-2	Nut	8
2	3255-8	Washer - Lock	8
3	21-8270	Pin - Dowel	2
4	21-7720	Washer - Thrust	2
5	24-8790	Gear - Bevel, Diff. Side	2
6	21-7690	Gear - Pinion	2
7	21-7730	Washer - Thrust	2
8		Pinion - Drive	1
9	43-6760	Cone - Bearing, Tapered	1
10	43-6750	Cup - Bearing, Tapered	1
11	324-23	Screw - Cap, Hex. Hd.	4
12	21-7830	Cover - Gear	1
13	12-5450	Screw - Thread Forming	8
14	21-8150	Gear - Spur	1
15	43-6710	Shim .003 - Diff. Adjust.	A/R
16	43-6711	Shim .005 - Diff. Adjust.	A/R
17	43-6712	Shim .010 - Diff. Adjust.	A/R
18	43-6713	Shim .030 - Diff. Adjust.	A/R
19	3210-7	Screw - Cap, Hex. Hd.	8
20	71-4350	Nut	1
21	71-4340	Washer	1
22	68-7010	Flange	1
23	71-4330	Seal	1
24	72-3570	Shim .094 - Diff. Adjust.	A/R
*	72-3571	Shim .096 - Diff. Adjust.	A/R
*	72-3572	Shim .098 - Diff. Adjust.	A/R
*	72-3573	Shim .100 - Diff. Adjust.	A/R
*	72-3574	Shim .102 - Diff. Adjust.	A/R
*	72-3575	Shim .104 - Diff. Adjust.	A/R

Ref. No.	Part No.	Description	No. Used
*	72-3576	Shim .106 - Diff. Adjust.	A/R
*	72-3577	Shim .108 - Diff. Adjust.	A/R
*	72-3578	Shim .110 - Diff. Adjust.	A/R
*	72-3580	Shim .112 - Diff. Adjust.	A/R
*	72-3581	Shim .114 - Diff. Adjust.	A/R
*	72-3582	Shim .116 - Diff. Adjust.	A/R
*	72-3583	Shim .118 - Diff. Adjust.	A/R
*	72-3584	Shim .120 - Diff. Adjust.	A/R
*	72-3585	Shim .125 - Diff. Adjust.	A/R
*	72-3586	Shim .127 - Diff. Adjust.	A/R
*	72-3587	Shim .129 - Diff. Adjust.	A/R
*	72-3588	Shim .131 - Diff. Adjust.	A/R
*	72-3590	Shim .133 - Diff. Adjust.	A/R
*	72-3591	Shim .135 - Diff. Adjust.	A/R
*	72-3592	Shim .137 - Diff. Adjust.	A/R
*	72-3593	Shim .139 - Diff. Adjust.	A/R
*	72-3594	Shim .141 - Diff. Adjust.	A/R
*	72-3595	Shim .143 - Diff. Adjust.	A/R
*	72-3596	Shim .145 - Diff. Adjust.	A/R
*	72-3597	Shim .147 - Diff. Adjust.	A/R
*	72-3598	Shim .149 - Diff. Adjust.	A/R
*	72-3600	Shim .151 - Diff. Adjust.	A/R
25	254-91	Cone - Bearing	1
26	254-90	Cup - Bearing	1
27	21-8020	Spacer - Bearing, Pinion Ft.	1
28	72-3610	Carrier Assembly (Incl. Ref.#11)	1
29	254-66	Cup - Bearing, Tapered	2
30	254-65	Cone - Bearing, Tapered	2

\*Not Illustrated



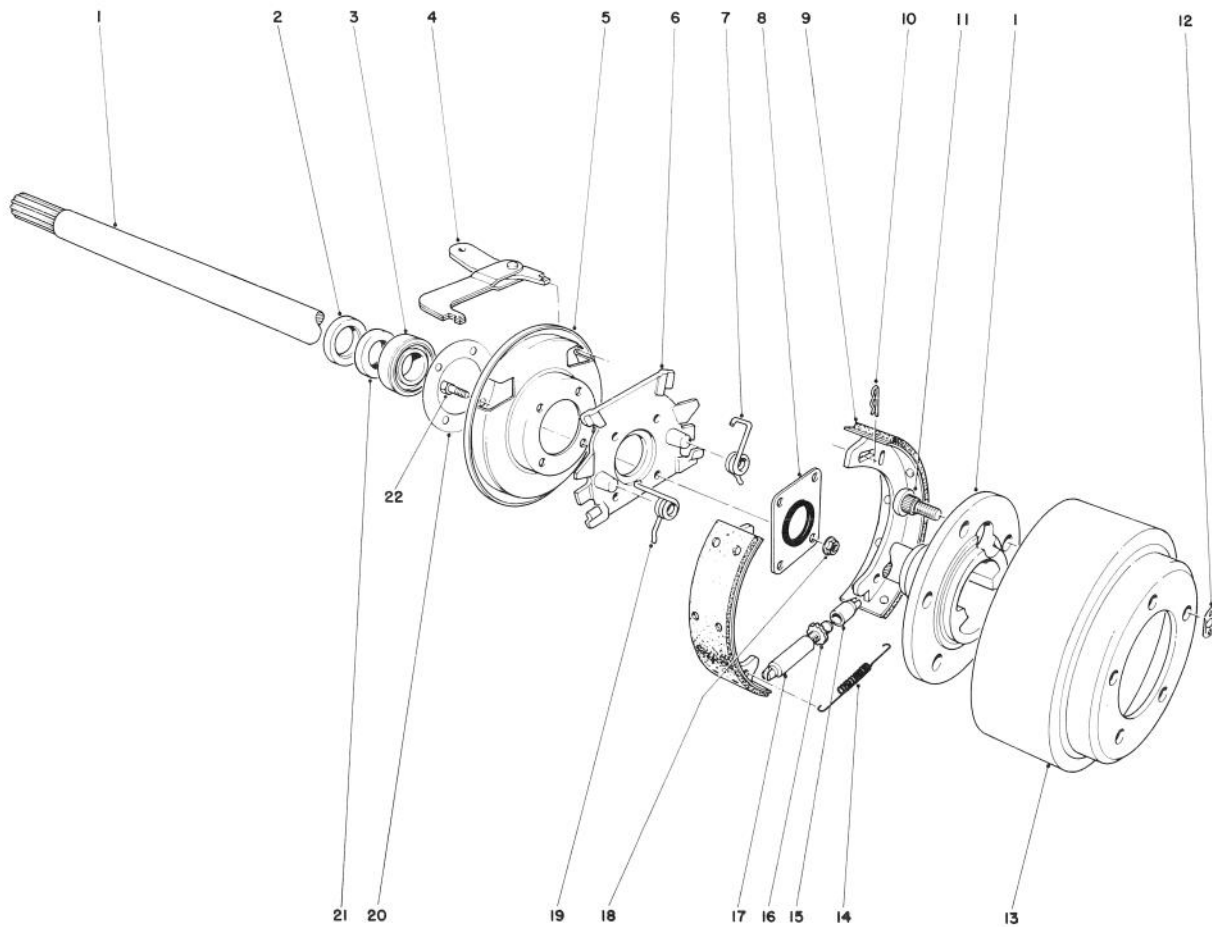
T-0905

## FRONT AXLE ASSEMBLY NO. 71-4390 (Continued)

Ref. No.	Part No.	Description	No. Used
31		Gear - Ring	1
32	32121-15	Pin - Roll	1
33	21-7700	Shaft - Pinion, Mate	1
34	21-7770	Screw - Gear, Drive	5
35	21-7670	Case - Differential	1
36	43-6840	Housing - Lower	1
37	21-8120	Shim .030 - Diff. Adjust.	A/R

Ref. No.	Part No.	Description	No. Used
38	21-8110	Shim .010 - Diff. Adjust.	A/R
39	21-8100	Shim .005 - Diff. Adjust.	A/R
40	21-8090	Shim .003 - Diff. Adjust.	A/R
41	72-9420	Vent Assembly	1
*	72-3620	Gear & Pinion Assembly (Incl. Ref. #8 & 31)	1

\*Not Illustrated

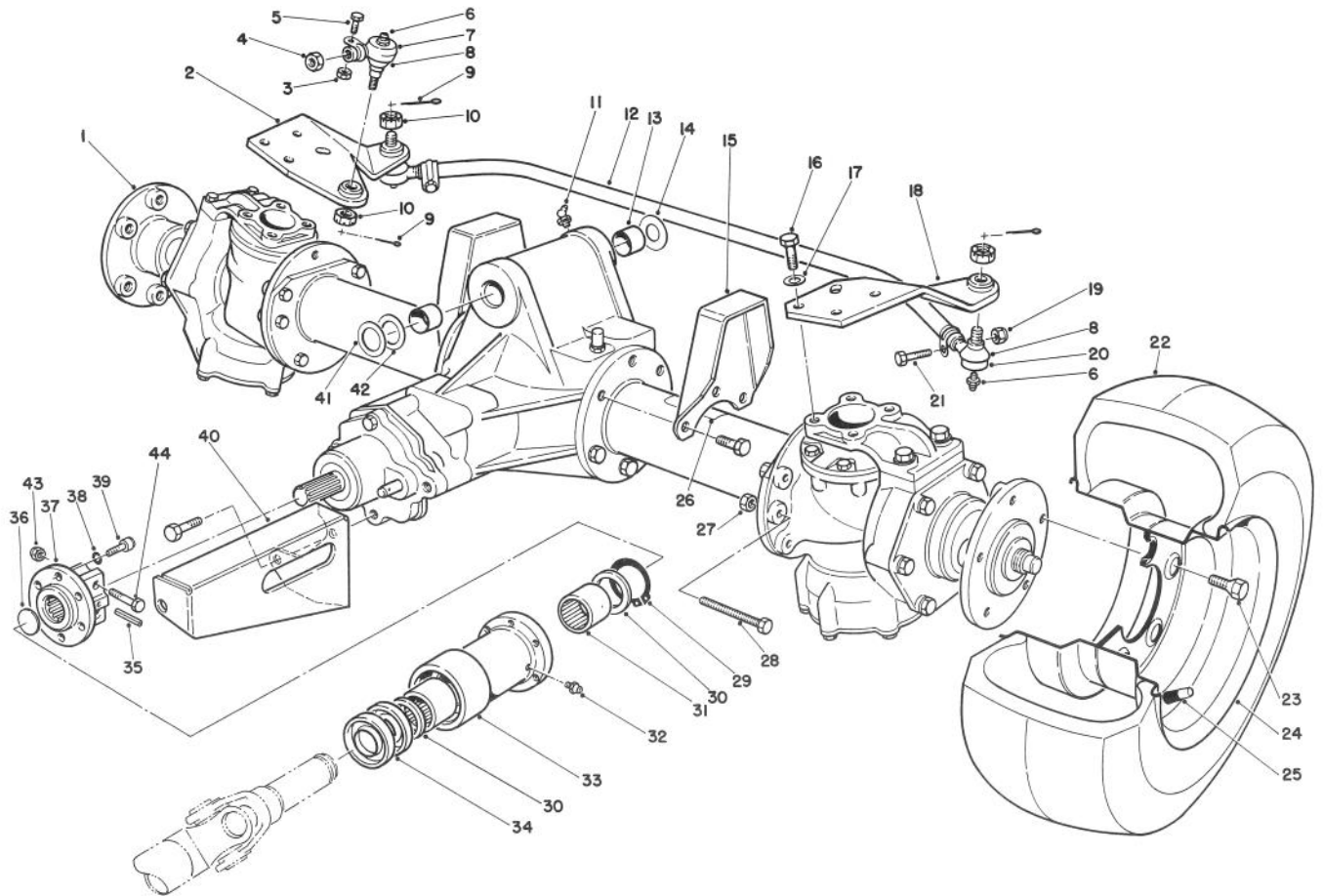


T-0421

## BRAKE ASSEMBLY

Ref. No.	Part No.	Description	No. Used
1	28-0650	Shaft - Flanged, Axle	2
2	21-8330	Seal - Oil	2
3	21-8180	Bearing	2
4	24-9180	Strut & Lever Parking Brake	2
5	21-9450	Dust Shield	2
6	43-6810	Torque - Spider	2
7	21-9430	Spring - Shoe Return R.H.	2
8	28-0670	Seal - Oil	2
9	43-2690	Shoe & Lining Assembly	4
10	21-9460	Retainer - Brake Lever	4
11	242-34	Stud - Flanged, Axle	10

Ref. No.	Part No.	Description	No. Used
12	21-8360	Clip - Retaining	2
13	28-0680	Brake Drum	2
14	21-9440	Spring - Adjusting Screw	2
15	21-9390	Socket - Adjusting Screw	2
16	21-9370	Screw - Adjusting	2
17	21-9380	Nut - Pivot	2
18	43-6800	Nut - Lock	8
19	21-9420	Spring - Shoe Return L.H.	2
20	21-8320	Gasket - Wheel Bearing	2
21	24-8840	Ring - Wheel Bearing	2
22	28-0660	Screw - Cap, Hex. Hd.	8

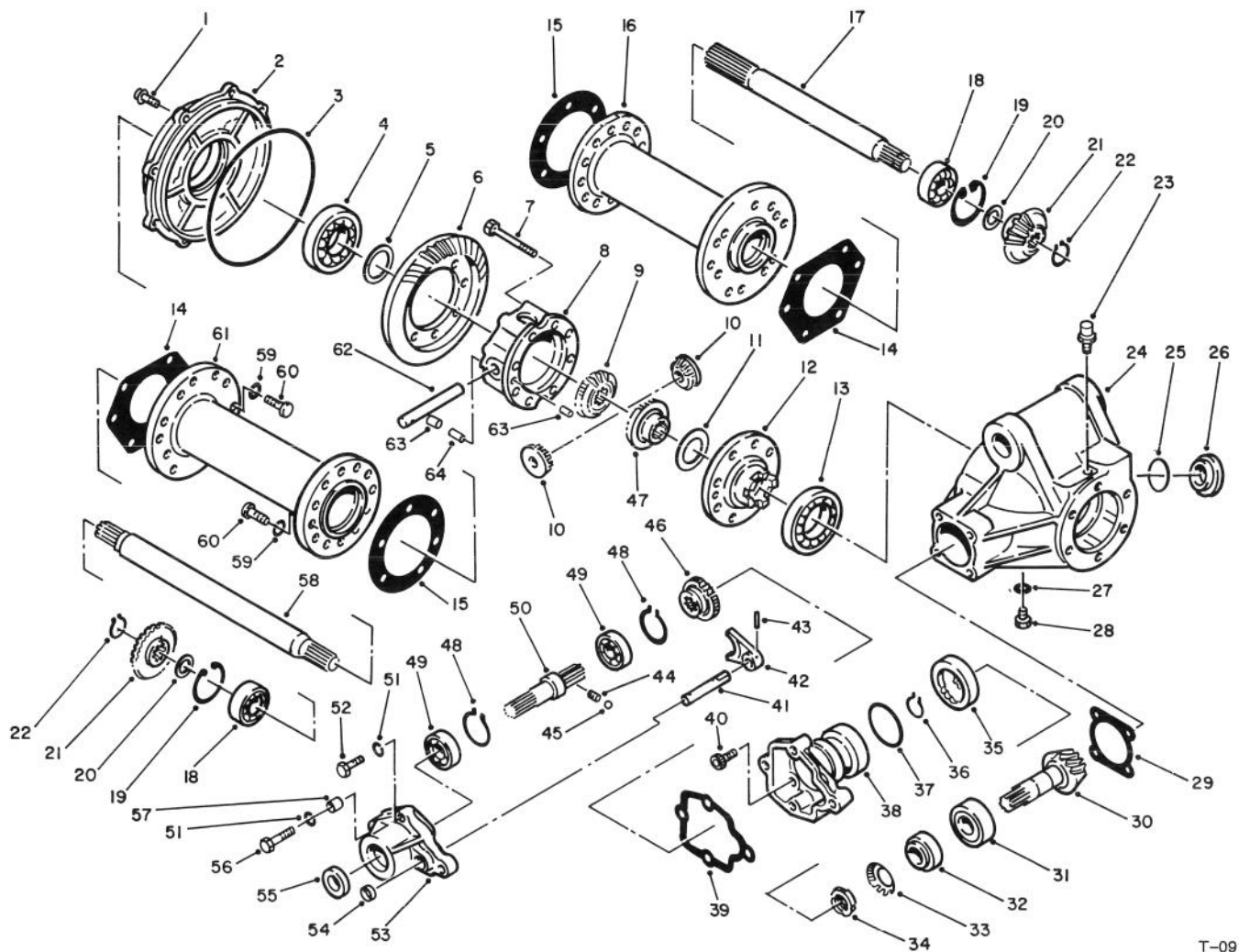


T-0903

## STEERABLE AXLE ASSEMBLY

Ref. No.	Part No.	Description	No. Used	Ref. No.	Part No.	Description	No. Used
1	68-6820	Axle - Drive, Steerable	1	21	323-9	Screw - Cap, Hex. Hd.	2
2	68-6910	Arm - R.H., Steering	1	22	231-122	Tire	2
3	3296-43	Nut - Lock	1	23	71-4450	Bolt - Wheel	10
4	3220-5	Nut - Jam	1	24	217-106	Wheel	2
5	3210-7	Screw - Cap, Hex. Hd.	1	25	232-31	Stem - Valve	2
6	302-55	Fitting - Grease	3	26	70-2560	Decal - Lube	1
7	68-6870	Rod End (Incl. Ref.#3, 5, 6, 8 & 10)	1	27	48-7960	Nut	2
8	71-4760	Seal - Rod	3	28	71-4690	Screw - Cap, Hex. Hd.	2
9	3272-11	Pin - Cotter	3	29	32151-87	Ring - Retaining	1
10	32136-13	Nut - Slotted	3	30	71-4590	Washer - Thrust	2
11	302-11	Fitting - Grease	1	31	71-4580	Clutch - Roller	2
12	71-4750	Tube & Clamp Assembly	1	32	302-5	Fitting - Grease	1
*	71-4530	Tie Rod Assembly (Incl. Ref.#6, 8, 10, 12, & 19-21)	1	33	71-4570	Housing - Clutch,	1
13	67-1750	Bushing	2	34	253-155	Seal	2
14	71-4540	Washer - Thrust	1	35	32121-34	Pin - Roll	1
15	68-6990	Stop - Oscillation	2	36	284-3	Plug - Welch	1
16	48-7780	Screw - Cap, Hex. Hd.	8	37	76-4690	Coupling - Axle	1
17	48-9220	Washer - Flat	8	38	3253-3	Washer - Lock	6
18	68-6930	Arm - L.H., Steering	1	39	3274-8	Screw - Cap, Hex. Hd.	6
19	3296-39	Nut - Lock	2	40	68-6880	Bracket - Clutch, Cable	1
20	71-4740	Rod End (Incl. Ref. #6, 8 & 10)	2	41	56-2460	Washer - Flat	A/R
				42	5-1226	Washer	A/R
				43	3296-29	Nut - Lock	2
				44	322-8	Screw - Cap, Hex. Hd.	2

\*Not Illustrated



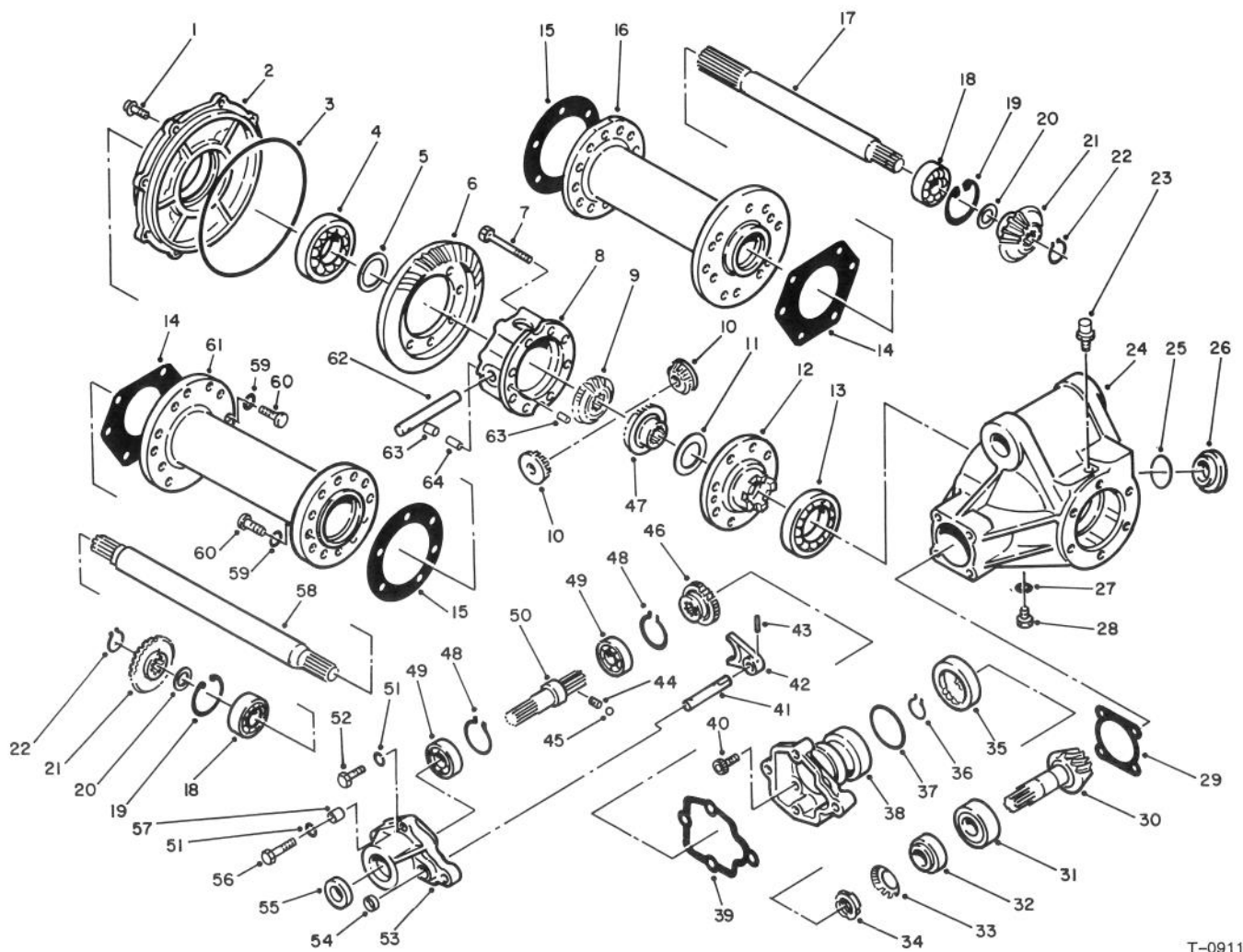
T-0911

## REAR AXLE ASSEMBLY NO. 68-6820

Ref. No.	Part No.	Description	No. Used
1	72-5800	Bolt	8
2	72-4880	Cover	1
3	72-4890	O-Ring	1
4	251-344	Bearing - Ball	1
5	72-4960	Shim .1 mm	1
*	72-4970	Shim .15 mm	1
*	72-4980	Shim .5 mm	1
*	72-4990	Shim .8 mm	1
*	72-5000	Shim 1.0 mm	1
*	72-5010	Shim 1.2 mm	1
6		Gear - Bevel	1
7	72-5810	Bolt	8
8	72-4900	Case - Differential	1
9	72-4930	Gear - Side, Differential	1
10	72-4950	Gear - Pinion, Differential	2
11	72-5040	Washer - Gear, Diff.	1
12	72-4910	Flange - Case, Diff.	1
13	251-345	Bearing - Ball	1
14	72-5080	Gasket	2
15	72-5070	Gasket	2
16	72-5050	Tube - Axle, R.H.	1
17	72-5060	Axle - R.H.	1
18	251-350	Bearing - Ball	2
19	72-5360	Ring - Retaining	2

Ref. No.	Part No.	Description	No. Used
20	72-5100	Spacer	2
21	72-5090	Bear - Bevel	2
22	72-5370	Ring - Retaining	2
23	72-5130	Vent	1
24	72-4870	Case - Differential	1
25	72-5140	O-Ring	1
26	72-5150	Plug	1
27	72-5840	Gasket	1
28	72-5820	Plug	1
29	72-5160	Shim .1mm	1
*	72-5170	Shim .15 mm	1
*	72-5180	Shim .5 mm	1
*	72-5190	Shim .8 mm	1
*	72-5200	Shim 1.0 mm	1
*	72-5210	Shim 1.2 mm	1
30		Gear - Pinion	1
31	254-108	Bearing - Roller, Tapered	1
32	254-109	Bearing - Roller, Tapered	1
33	72-5250	Washer	1
34	72-5260	Nut	1
35	72-5280	Clutch - Outer	1
36	72-5380	Ring - Retaining	1
37	72-5460	O-Ring	1
38	72-5270	Case	1

\*Not Illustrated



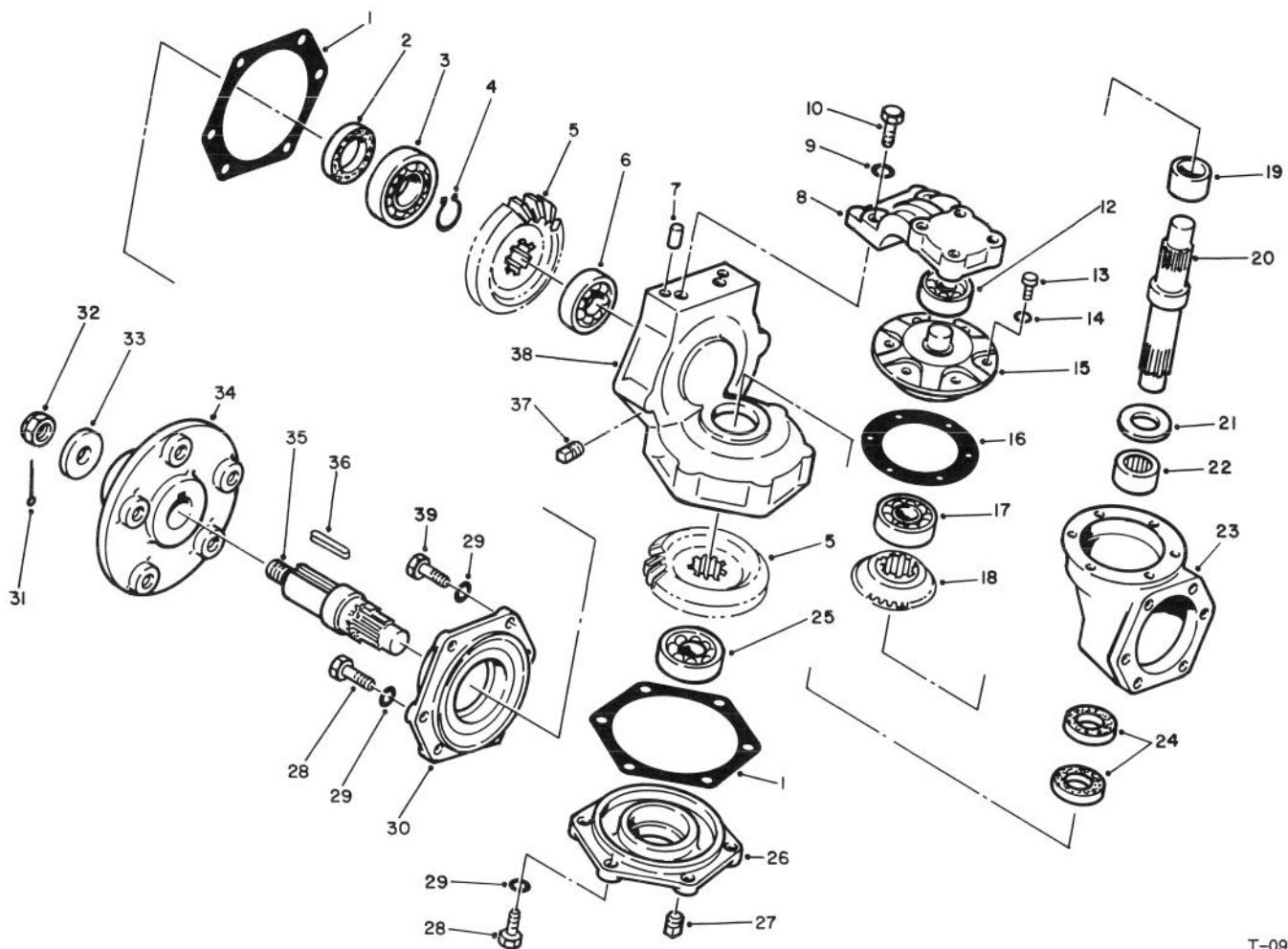
T-0911

## REAR AXLE ASSEMBLY NO. 68-6820 (Continued)

Ref. No.	Part No.	Description	No. Used
39	72-5290	Gasket	1
40	72-5830	Bolt - Socket Hd.	4
41	72-5330	Rod - Clutch	1
42	72-5320	Fork - Clutch	1
43	72-5450	Pin - Spring	1
44	72-5350	Spring	1
45	72-5470	Ball - Steel	1
46	72-5310	Clutch - Inner	1
47	72-4940	Gear - Side, Differential	1
48	72-5390	Ring - Retaining	2
49	251-346	Bearing - Ball	2
50	72-5340	Shaft - Input	1
51	42-9850	Washer - Lock M8	4
52	48-7730	Bolt - M8 x 30	2

Ref. No.	Part No.	Description	No. Used
53	72-5300	Cover - Clutch	1
54	72-5500	Seal - Oil	1
55	72-5490	Seal - Oil	1
56	63-4360	Bolt - M8 x 40	2
57	72-5480	Dowel	2
58	72-5120	Axle - L.H.	1
59	42-9600	Washer - Lock M10	24
60	48-9470	Bolt - M10 x 30	24
61	72-5110	Tube - Axle, L.H.	1
62	72-5020	Shaft - Pinion	1
63	72-5030	Pin - Dowel	2
64	72-5440	Pin - Spring	1
*	77-2970	Ring & Pinion Assembly (Incl. Ref.#6 & 30)	1

\*Not Illustrated

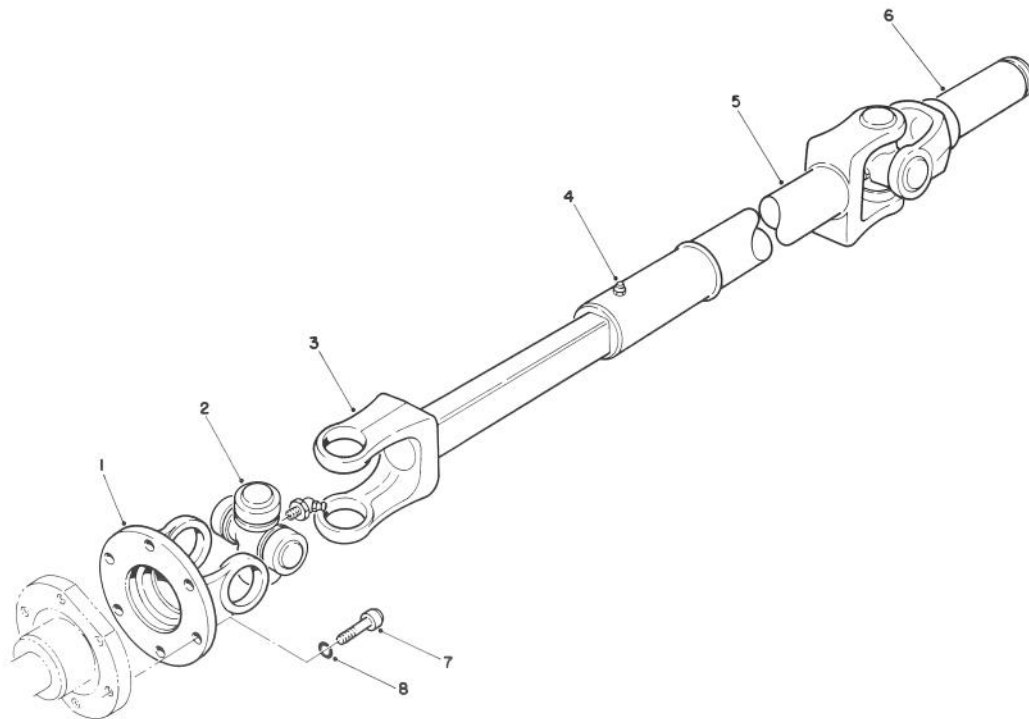


T-0912

## STEERING KNUCKLE ASSEMBLY

Ref. No.	Part No.	Description	No. Used
1	72-5620	Gasket	4
2	72-5740	Seal - Oil	2
3	251-348	Bearing - Ball	2
4	72-5720	Ring - Retaining	2
5	72-5580	Gear - Bevel	4
6	251-8	Bearing - Ball	2
7	72-5670	Pin - Dowel	4
8	77-2980	Arm - Knuckle	2
9	42-9600	Washer - Lock	28
10	48-9470	Screw - Cap, M10 x 30	4
12	251-347	Bearing - Ball	2
13	72-5790	Screw - Cap, M6 x 18	12
14	43-5930	Washer - Lock	12
15	72-5590	Retainer - Bearing	2
16	72-5630	Gasket	2
17	251-349	Bearing - Ball	2
18	72-5090	Gear - Bevel	2
19	72-5680	Spacer	2
20	72-5560	Pin - King, Knuckle	2

Ref. No.	Part No.	Description	No. Used
21	72-5600	Washer - Thrust	2
22	72-5640	Bearing - Needle	2
23	72-5510	Gear Box - Axle	2
24	72-5730	Seal - Oil	4
25	251-263	Bearing - Ball	2
26	72-5550	Cover	2
27	281-10	Plug - Socket, Hex.	2
28	48-9460	Screw - Cap, M8 x 25	20
29	42-9850	Washer - Lock, M8	28
30	72-5540	Case - Knuckle	2
31	3272-17	Pin - Cotter	2
32	72-5770	Nut - Castell	2
33	72-5660	Washer - Shaft, Wheel	2
34	72-5650	Hub - Wheel	2
35	72-5570	Shaft - Axle, Outer	2
36	72-5780	Key	2
37	281-7	Plug - Pipe, Square Hd.	2
38	72-5520	Case - Knuckle	2
39	48-7710	Screw - Cap, M8 x 20	4



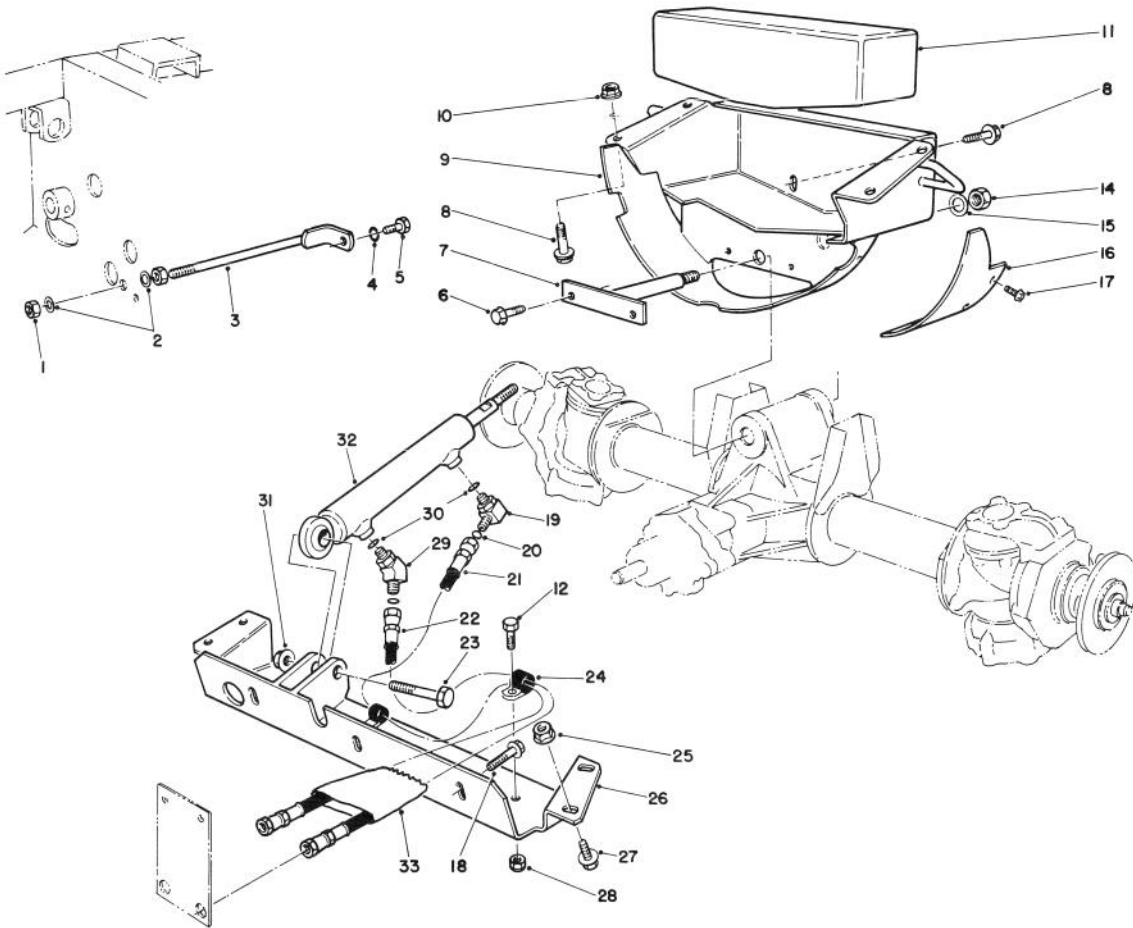
T-0906

## DRIVE SHAFT ASSEMBLY NO. 71-4550

Ref. No.	Part No.	Description	No. Used
1	72-3410	Yoke - Flange	1
2	54-9180	Kit - Universal Joint	1
3	72-3420	Shaft - Yoke, Slip	1
4	302-58	Fitting - Grease	1
5	72-3430	Tube - Yoke, Slip	1

Ref. No.	Part No.	Description	No. Used
6	72-3440	Yoke - Shaft	1
7	3274-8	Screw - Cap, Soc. Hd.	6
8	3253-3	Washer - Lock	6
*	71-4550	Driveshaft (Complete)	1

\*Not Illustrated

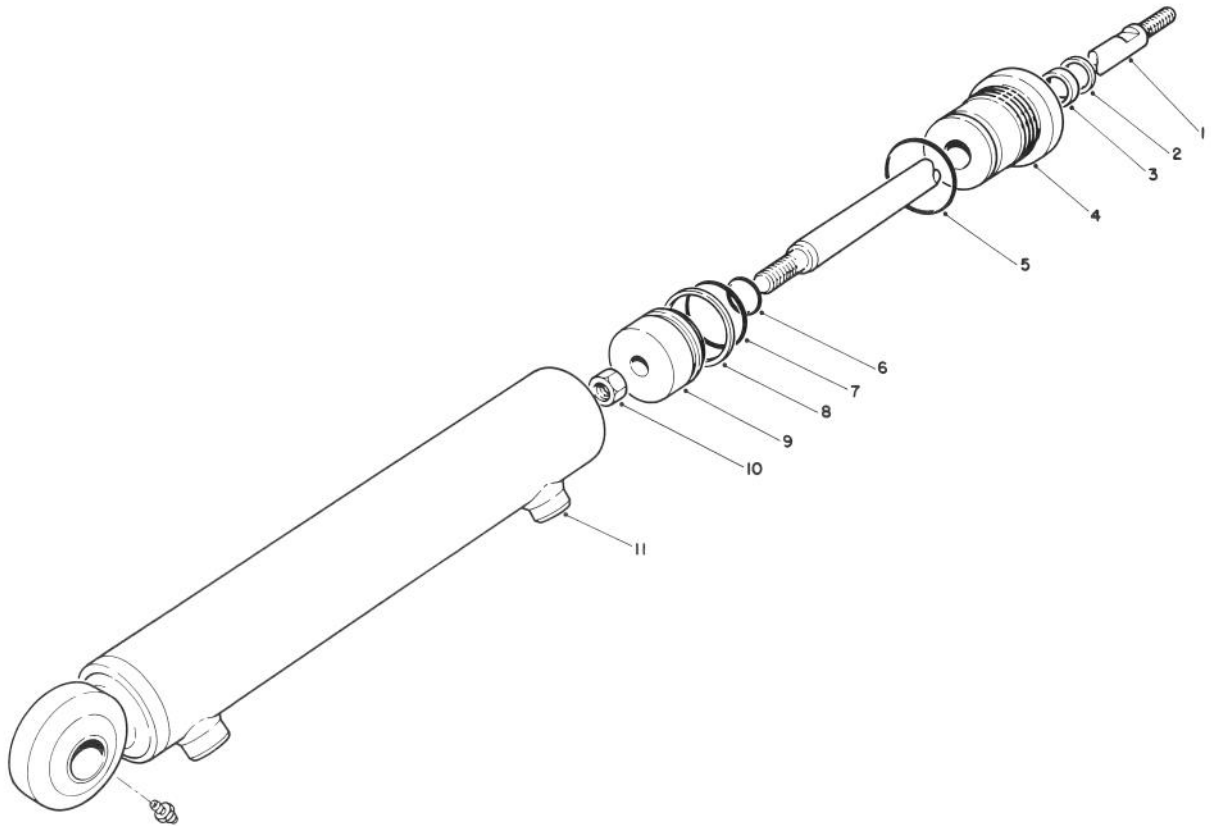


T-0908

## AXLE SUPPORT & STEERING CROSS MEMBER

Ref. No.	Part No.	Description	No. Used	Ref. No.	Part No.	Description	No. Used
1	3217-9	Nut - Hex	2	18	3234-24	Screw - Flange, Hex. Hd.	3
2	3256-6	Washer - Flat	2	19	340-97	Elbow - Fitting	1
3	24-9830	Support - Axle	1	20	237-22	O-Ring	2
4	3253-21	Washer - Lock	1	21	71-4430	Hose Assy. - Steering	1
5	323-6	Screw - Cap, Hex. Hd.	1	22	68-9710	Hose Assy. - Steering	1
6	3234-14	Screw - Flange, Hex. Hd.	2	23	328-25	Screw - Cap, Hex. Hd.	1
7	67-8170	Pin W.A. - Axle, Rear	1	24	2412-39	Clamp	2
8	3234-32	Screw - Flange, Hex. Hd.	6	25	32128-21	Nut - Flange	4
9	67-8130	Support W.A. - Axle	1	26	68-6950	Cross Member W.A.	1
10	32128-23	Nut - Lock, Flange	4	27†	3234-25	Screw - Flange, Hex. Hd.	4
11	67-8960	Weight - Rear	1	28	3296-20	Nut - Lock	2
12	322-5	Screw - Cap, Hex. Hd.	2	29	340-54	Fitting	1
14	32146-20	Nut	1	30	237-78	O-Ring	2
15	71-4540	Washer - Thrust	2	31	32128-45	Nut - Flange	1
16	71-4850	Cover - Guard, Flywheel	1	32	68-6860	Cylinder - Hyd., Steering	1
17	32144-10	Screw - Thread Forming	2	33	70-1390	Sleeve - Protective	1

†Included in 13-5609, Ref. #3, Page 1

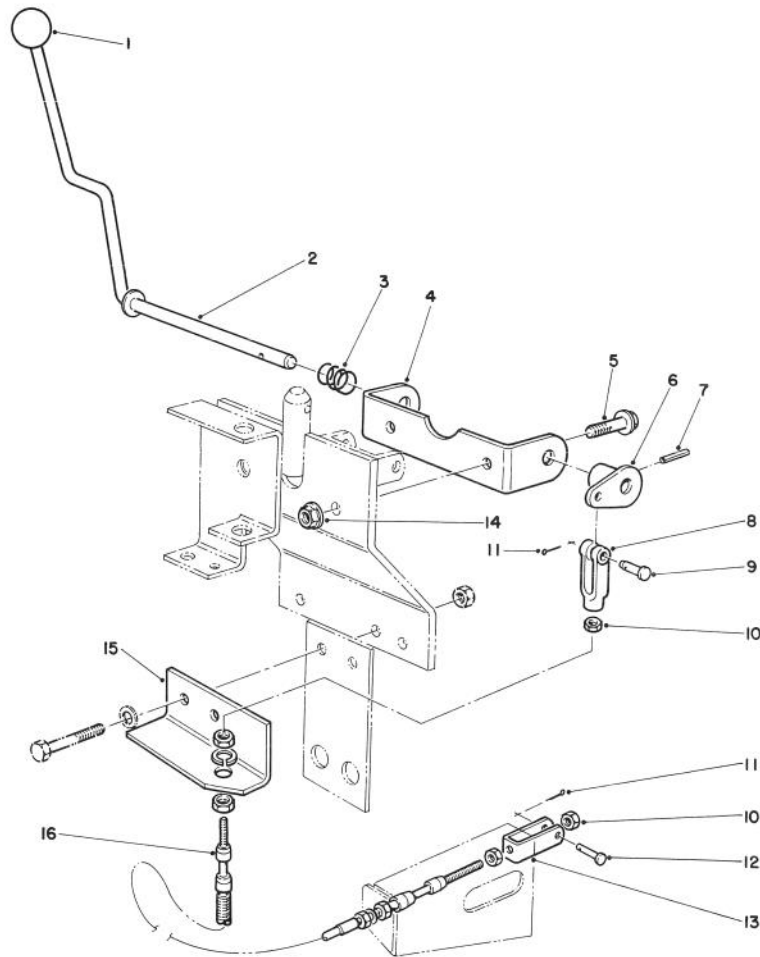


T-0904

## STEERING CYLINDER PART NO. 68-6860

Ref. No.	Part No.	Description	No. Used	Ref. No.	Part No.	Description	No. Used
1	72-3520	Rod	1	8		Ring - Piston	1
2		Wiper	1	9	72-3500	Piston	1
3		U-Cup	1	10	72-3490	Nut	1
4	72-3520	Head - Internal	1	11	72-3510	Barrel Assembly	1
5		O-Ring	1	*	72-3480	Kit - Seal	1
6		O-Ring	1			(Incl. Ref.#2, 3, & 5-8)	
7		O-Ring	1				

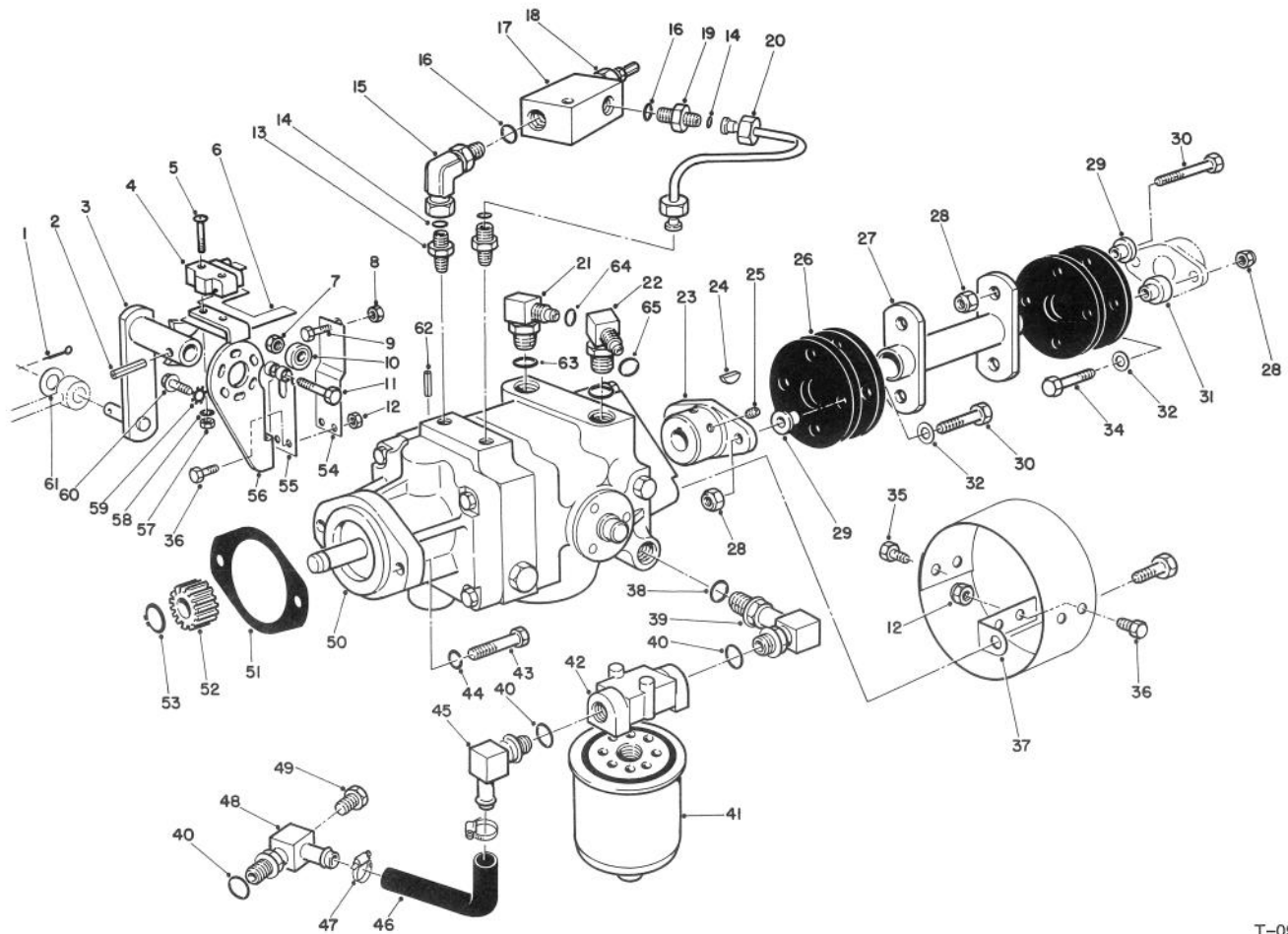
\*Not Illustrated



T-0907

## CLUTCH ENGAGEMENT ASSEMBLY

Ref. No.	Part No.	Description	No. Used	Ref. No.	Part No.	Description	No. Used
1	233-21	Knob	1	10	3220-1	Nut - Jam	3
2	71-4610	Handle W.A.	1	11	3272-1	Pin - Cotter	2
3	5-1747	Spring - Compression	1	12	283-17	Pin -Clevis	1
4	71-4640	Bracket - Lever, Shaft	1	13	68-6890	Clevis	1
5	3234-11	Screw - Flange, Hex. Hd.	2	14	32128-21	Nut - Flange, Lock	2
6	71-4650	Lever W.A.	1	15	71-4630	Mount - Cable	1
7	32121-5	Pin - Roll	1	16	71-4680	Cable Assembly	1
8	282-17	Clevis	1				
9	283-3	Pin - Clevis	1				

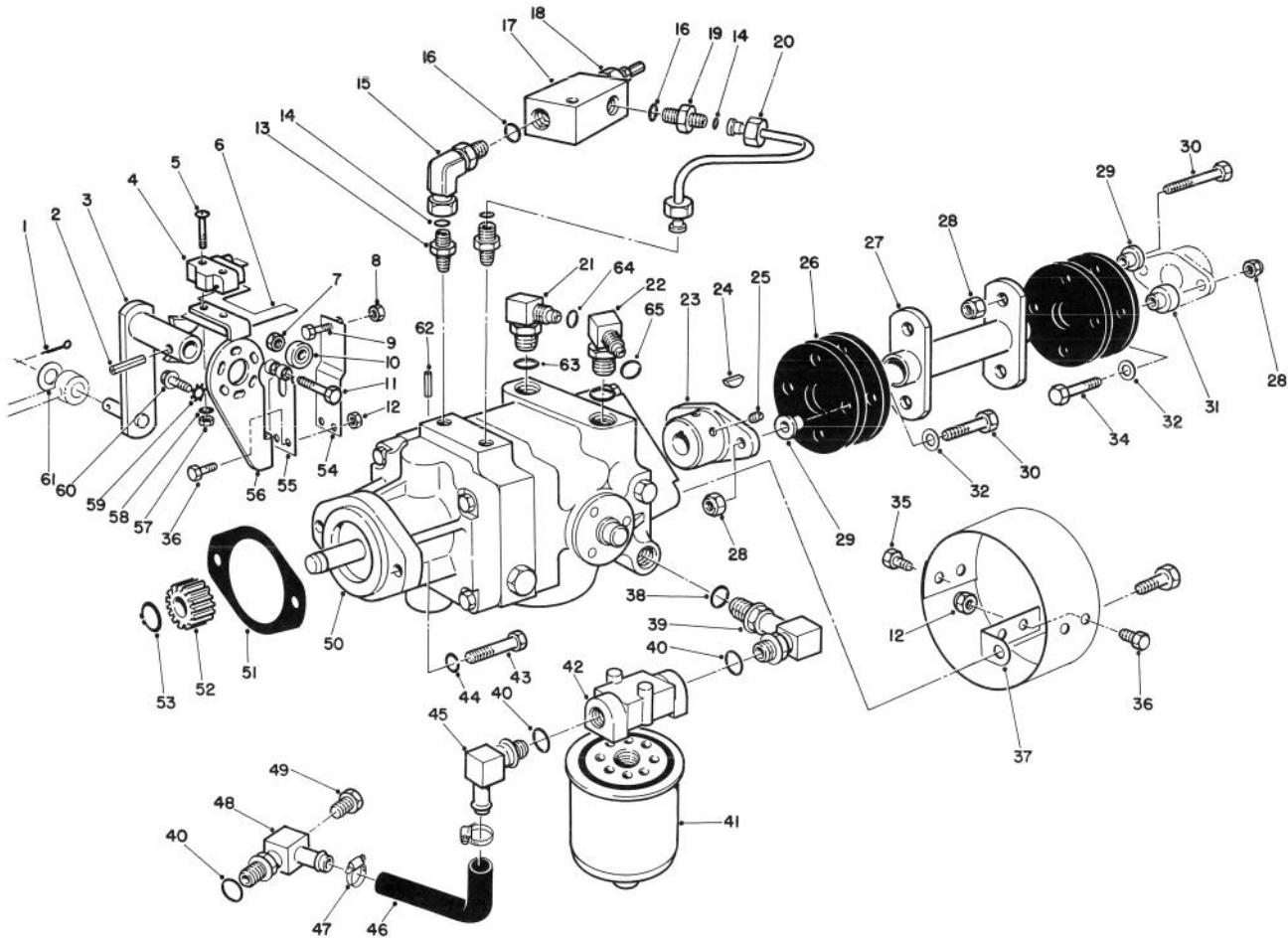


T-0909

## HYDROSTATIC TRANSMISSION

Ref. No.	Part No.	Description	No. Used	Ref. No.	Part No.	Description	No. Used
1	3272-10	Pin - Cotter	1	24	3257-32	Key - Woodruff	1
2	32121-24	Pin - Roll	1	25	3241-5	Screw - Set, Sq. Hd.	2
3	28-9570	Lever - Pump	1	26	44-2230	Coupling - Rubber	4
4	29-6160	Switch - Micro	1	27	71-4400	Coupling - Drive	1
5	3249-11	Screw - Mach. Rd. Hd.	2	28	32152-1	Nut - Lock	8
6	46-8810	Stop - Leaf, Spring	1	29	71-4411	Spacer - Coupling, Rubber	6
7	3296-29	Nut - Lock	1	30	322-8	Screw - Cap, Hex. Hd.	6
8	3219-2	Nut - Hex	1	31	71-4410	Spacer - Coupling, Rubber	2
9	3210-7	Screw - Cap, Hex. Hd.	1	32	3256-3	Washer - Flat	4
10	251-259	Bearing - Ball	1	34	322-10	Screw - Cap, Hex. Hd.	2
11	322-17	Screw - Cap, Hex. Hd.	1	35	321-2	Screw - Cap, Hex. Hd.	2
12	3296-42	Nut - Lock	6	36	321-4	Screw - Cap, Hex. Hd.	4
13	340-107	Fitting - Straight	2	37	54-9240	Bracket	2
14	237-21	O-Ring	3	38	237-80	O-Ring	1
15	340-143	Elbow - Swivel	1	39	68-8660	Elbow - Fitting	1
16	237-78	O-Ring	2	40	237-81	O-Ring	3
17	73-3710	Body - Valve, Relief	1	41	67-8110	Filter - Oil	1
18	72-3720	Cartridge - Valve, Relief	1	42	68-8990	Head - Filter	1
*	72-3730	Seal Kit (Relief Valve)	1	43	323-7	Screw - Cap, Hex. Hd.	2
*	72-3540	Valve - Relief Adj. (Incl. Ref.#17 & 18)	1	44	3253-21	Washer - Lock	2
19	340-92	Adapter - Straight	1	45	353-987	Elbow - Fitting	1
20	72-3550	Tube Assembly	1	46	68-9650	Hose - Axle	1
21	340-77	Elbow - Fitting	1	47	2412-34	Clamp - Hose	2
22	340-99	Elbow - Fitting	1	48	70-2620	Elbow - Fitting	1
23	33-4380	Hub - Pump	1	49	353-508	Plug - Drain	1
				50	71-4370	Transmission - Inline	1

\*Not Illustrated

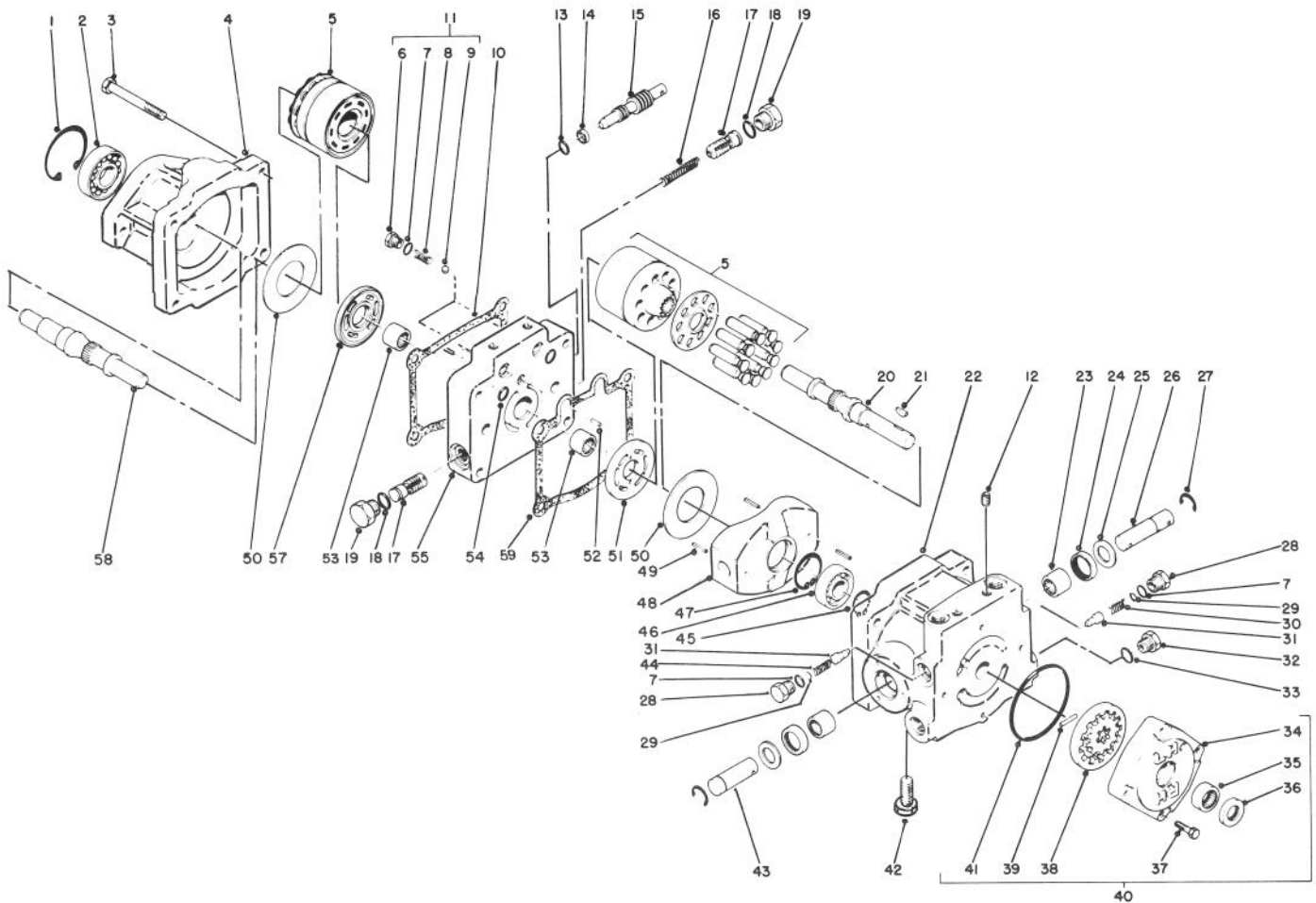


T-0909

## HYDROSTATIC TRANSMISSION (Continued)

Ref. No.	Part No.	Description	No. Used
51	41-8760	Gasket - Transmission	1
52	23-4810	Gear - Output, Trans.	1
53	32120-72	Ring - Retaining	1
54	29-6170	Spring - Leaf, Extended	1
55	29-6150	Spring - Leaf	1
56	29-6120	Plate - Pump	1
57	3217-6	Nut - Hex	2
58	3254-9	Washer - Lock	2

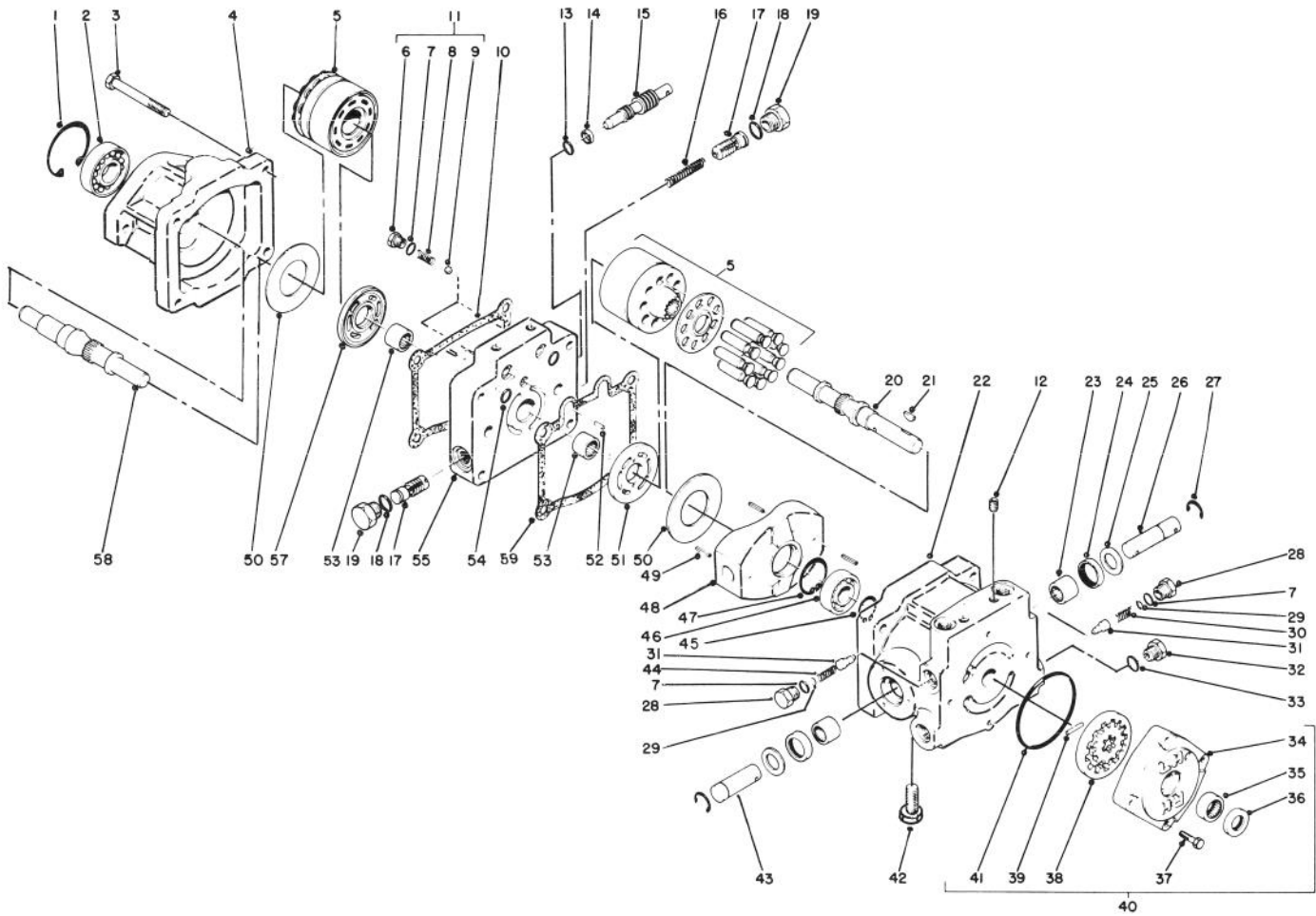
Ref. No.	Part No.	Description	No. Used
59	3255-7	Washer - Lock	3
60	11-9760	Screw - Self Tapping	3
61	3256-6	Washer - Flat	1
62	32121-6	Pin - Roll	1
63	237-42	O-Ring	2
64	237-22	O-Ring	1
65	237-30	O-Ring	1



T-0425

## TRANSMISSION ASSEMBLY NO. 71-4370

Ref. No.	Part No.	Description	No. Used	Ref. No.	Part No.	Description	No. Used
1	32120-8	Ring - Retaining	1	25	25-2510	Washer - Flat	2
2	72-3750	Bearing - Ball	1	26	25-2580	Trunion Shaft	1
3	323-13	Screw - Cap, Hex. Hd.	4	27	32151-46	Ring - Retaining	2
4	67-9080	Housing - Motor	1	28	25-2460	Plug - Hex. Hd.	2
5	48-1800	Cylinder Block Kit	2	29	25-2470	Shim Pack	2
6	25-2650	Check Valve Plug	2	30	25-2570	Valve Spring	1
7	237-86	O-Ring	4	31	25-2560	Relief Valve Cone	2
8	252640	Valve Spring	2	32	353-551	Plug - Hex. Hd.	1
9	252490	Ball	2	33	237-80	O-Ring	1
10	67-9100	Gasket	1	34	25-2550	Charge Pump Housing	1
11	25-3180	Check Valve Kit (Incl. Ref. #6-9)	2	35	67-8050	Bearing - Needle	1
12	285-17	Pipe Plug	6	36	67-8060	Lip Seal	1
13	237-22	O-Ring	1	37	322-4	Screw - Cap, Hex. Hd.	4
14	25-2630	Back-Up Ring	1	38	25-2680	Gerotor Assembly	1
15	25-2620	By-Pass Valve	1	39	25-2530	Headless Straight Pin	1
16	252610	Accel. Valve Spring	1	40	25-3190	Charge Pump (Incl. Ref. #34-39 & 41)	1
17	25-2410	Accel. Valve Assembly	2	41	237-95	O-Ring	1
18	76-1900	O-Ring	2	42	67-9090	Filter Union	1
19	353-550	Plug - Hex. Hd.	2	43	25-2500	Trunion Shaft	1
20	75-9560	Pump Shaft	1	44	25-2480	Valve Spring	1
21	3257-32	Key - Woodruff	1	45	32120-15	Ring - Retaining	1
22	54-7890	Pump Housing (Incl. Ref. #12 & 23-25)	1	46	251-8	Bearing - Ball	1
23	252-82	Bearing - Bearing	2	47	32120-11	Ring - Retaining	1
24	25-3210	Lip Seal	2	48	25-2450	Variable Swashplate	1
				49	32121-91	Pin - Coil ,Spring	3

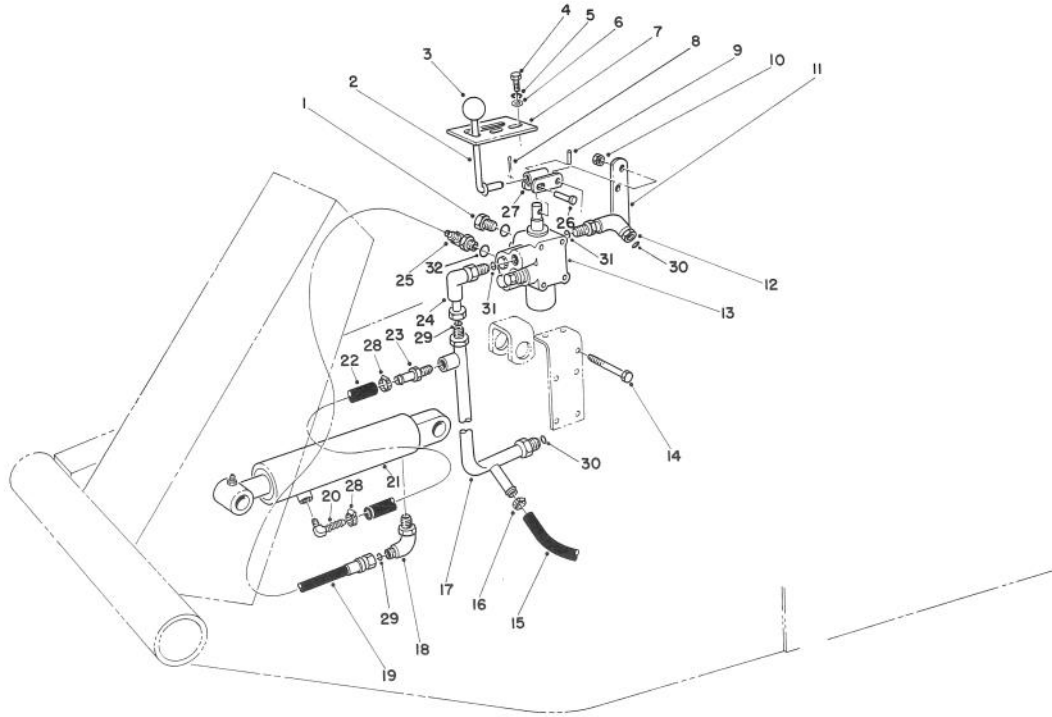


T-0425

## TRANSMISSION ASSEMBLY NO. 71-4370 (Continued)

Ref. No.	Part No.	Description	No. Used
50	25-2380	Thrust Plate	2
51	25-2440	Pump Valve Plate	1
52	25-2430	Dowel Pin	2
53	46-8400	Bearing - Needle	2
54	62-4290	O-Ring	2

Ref. No.	Part No.	Description	No. Used
55	25-2420	Center Section	1
57	25-2390	Motor Valve Plate	1
58	46-8410	Motor Shaft	1
59	25-2400	Gasket	1

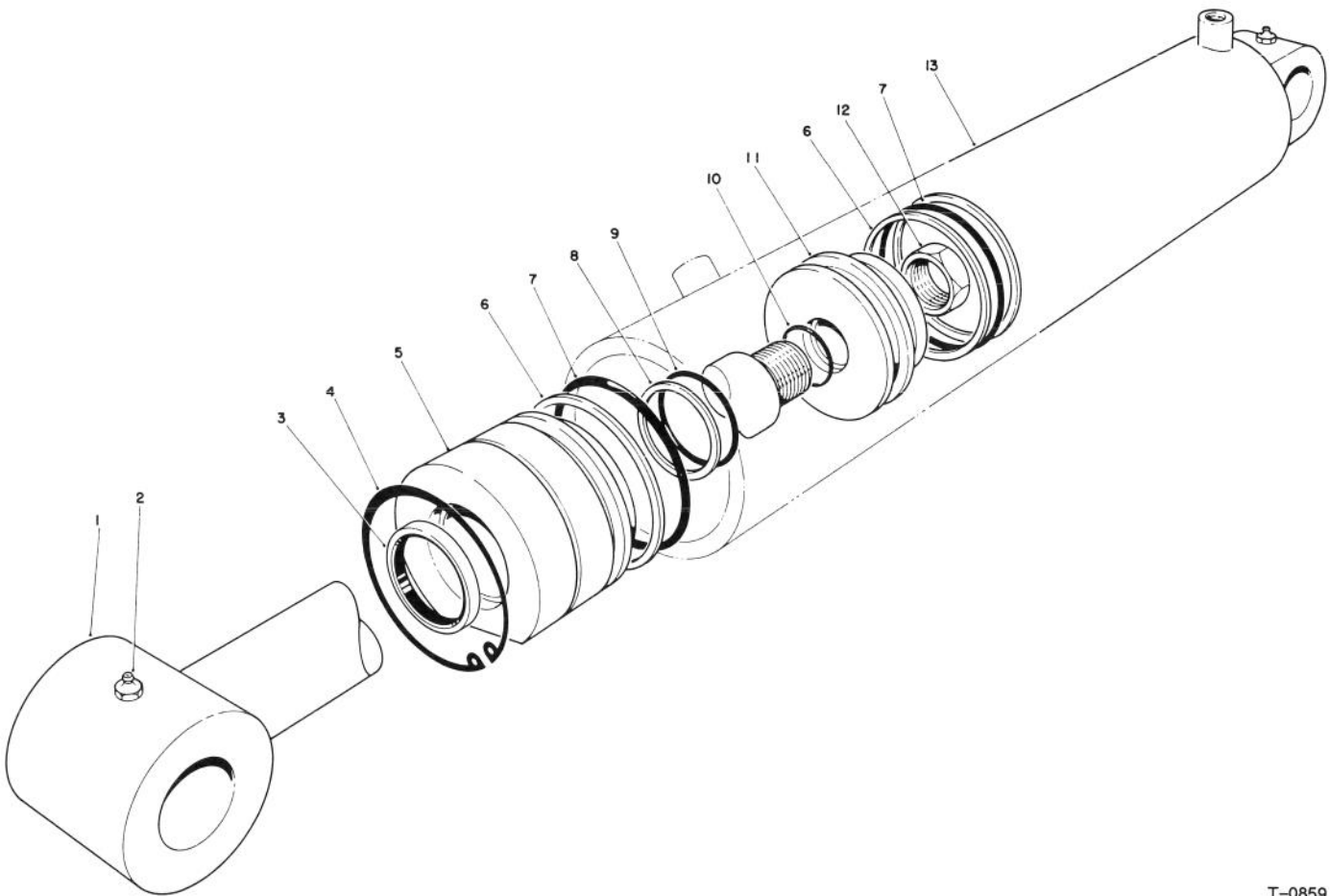


T-0426

## VALVE & CYLINDER ASSEMBLY

Ref. No.	Part No.	Description	No. Used	Ref. No.	Part No.	Description	No. Used
1	353-512	Plug	1	18	340-112	Elbow - 90°	1
2	21-8620	Lever Valve	1	19	71-3580	Hose - (Valve to Cylinder)	1
3	233-21	Knob	1	20	304-75	Fitting - 90° Barb	1
4	321-4	Screw - Cap, Hex. Hd.	2	21	62-4250	Cylinder - Hydraulic	1
5	3253-3	Washer - Lock	2	*	66-1250	Cylinder - Hydraulic (Optional)	1
6	3256-22	Washer - Flat	2	22	65-2970	Line - Gas	1
7	21-8640	Latch - Valve Lever	1	23	304-73	Fitting - Straight Barb	1
8	3272-6	Pin - Cotter	1	24	340-110	Elbow - 90°	1
9	32121-73	Pin - Slotted Spring	1	25	340-97	Fitting - 90°	1
10	3296-42	Nut - Lock	5	26	283-17	Pin	1
11	21-9010	Pivot Mount - Valve Lever	1	27	21-8590	Link - Valve Lever	1
12	340-99	Fitting - 90° Elbow	1	28	2412-108	Clamp - Hose	2
13	43-1710	Valve Assembly	1	29	237-22	O-Ring	2
14	321-23	Screw - Cap, Hex. Hd.	5	30	237-30	O-Ring	2
15	63-8990	Hose	1	31	237-42	O-Ring	2
16	2412-36	Clamp Hose	1	32	237-78	O-Ring	2
17	63-9260	Manifold - Valve	1				

\*Not Illustrated



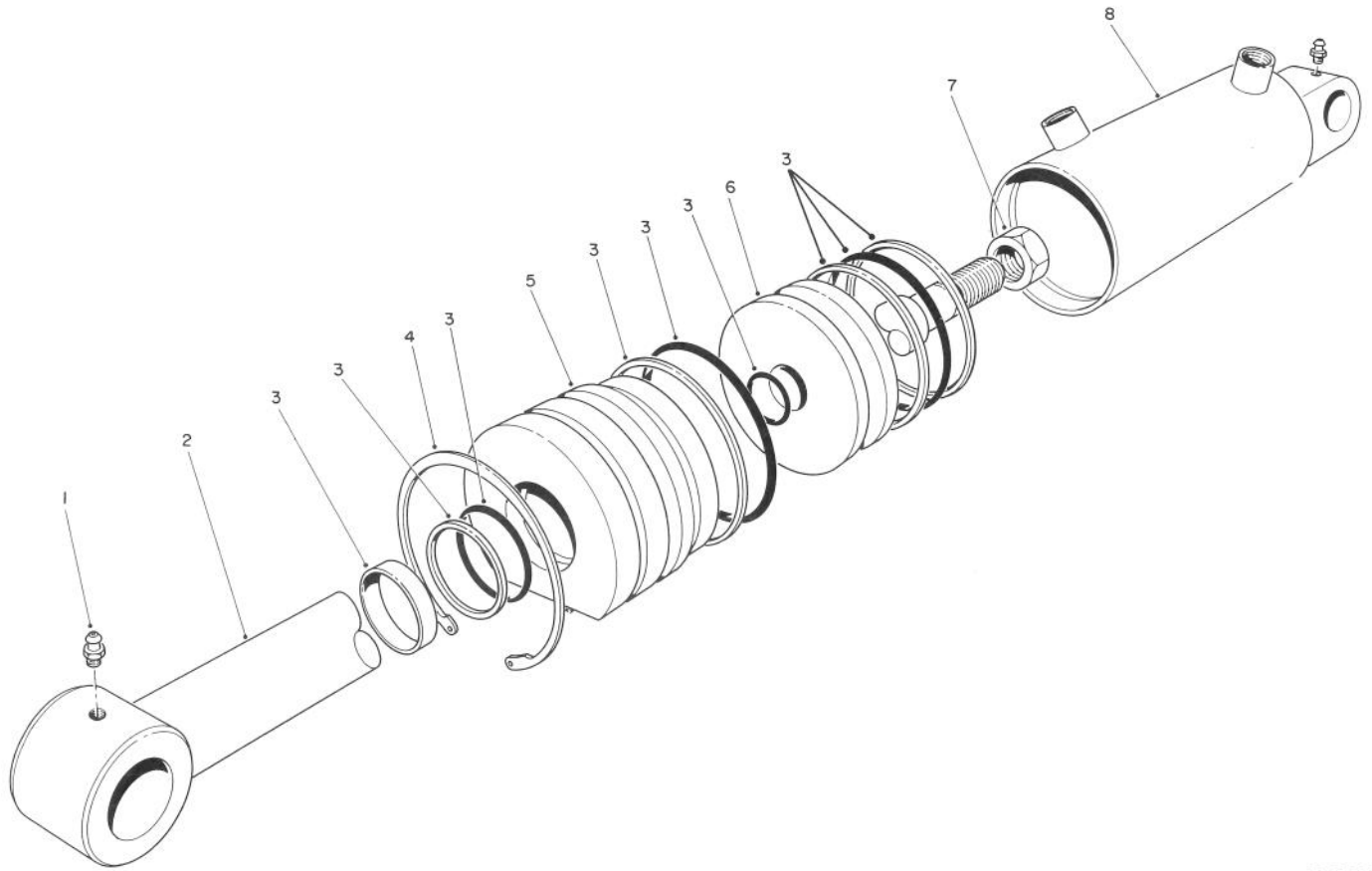
T-0859

## HYDRAULIC LIFT CYLINDER ASSEMBLY NO. 62-4250 (2-1/2" Bore)

Ref. No.	Part No.	Description	No. Used
1	61-4980	Shaft - w/Clevis	1
2	302-55	Fitting - Grease	2
3		Seal - Dust	1
4	61-4990	Ring - Retaining	1
5	60-9780	Head	1
6		Ring - Backup	3
7		O-Ring	2
8		Ring - Backup	1

Ref. No.	Part No.	Description	No. Used
9		O-Ring	1
10		O-Ring	1
11	60-9770	Piston	1
12	60-9760	Nut	1
13	61-4970	Barrel	1
*	61-4960	Seal Repair Kit (Incl. Ref. #3, 6-10)	1

\*Not Illustrated

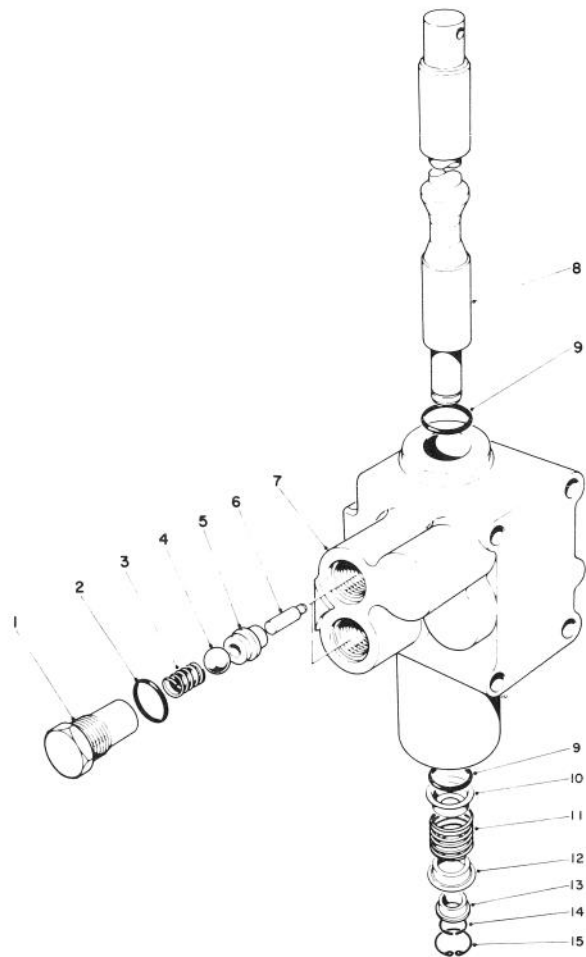


T-0527

## HYDRAULIC LIFT CYLINDER ASSEMBLY NO. 66-1250 (3" Bore)

Ref. No.	Part No.	Description	No. Used
1	302-55	Fitting - Grease	2
2	67-5480	Shaft	1
3	67-5500	Repair Kit	1
4	67-5470	Ring - Retaining	1

Ref. No.	Part No.	Description	No. Used
5	67-5460	Head	1
6	67-5450	Piston	1
7	60-9760	Nut - Hex	1
8	67-5490	Barrel	1

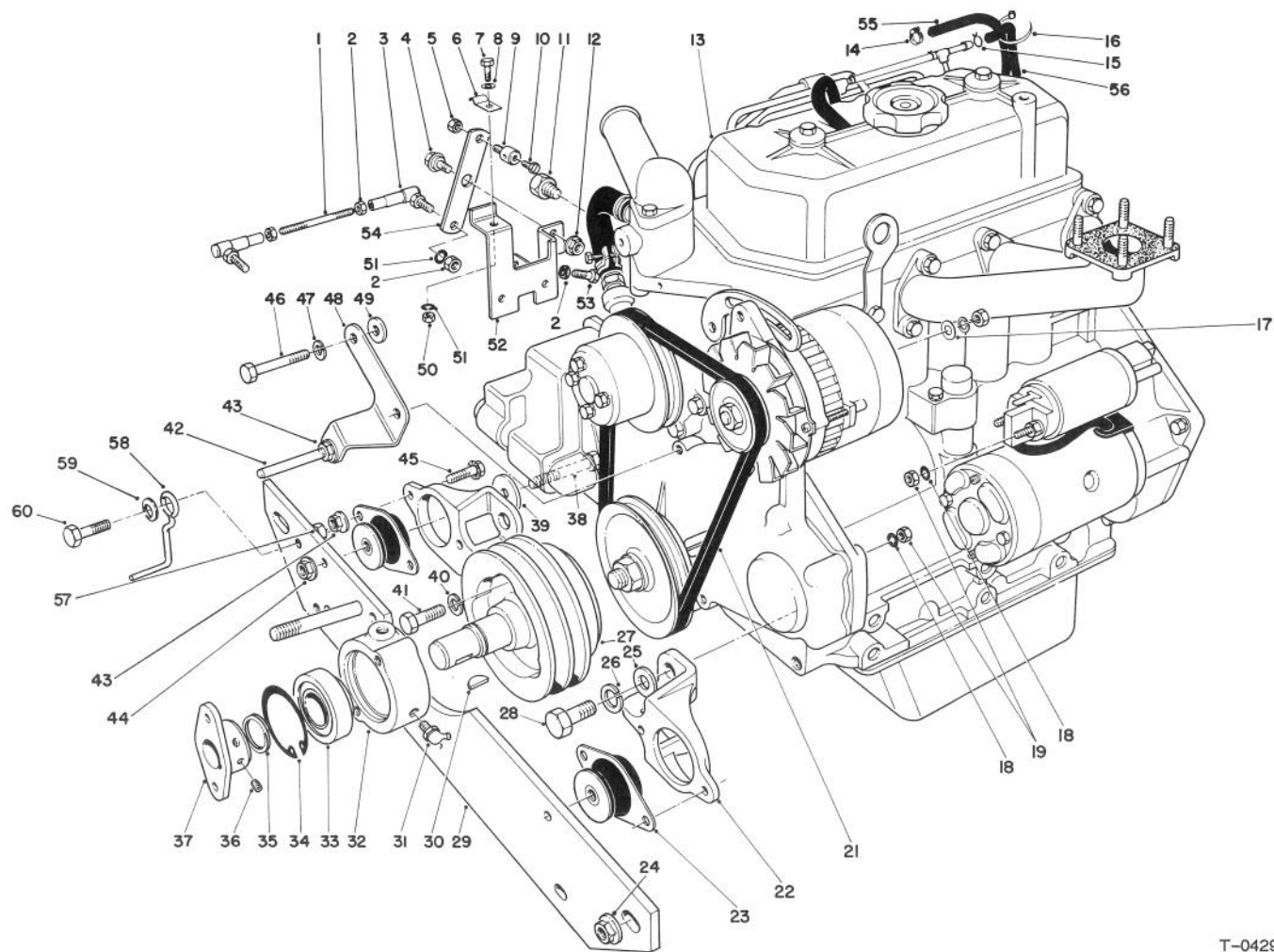


T-0428

## CONTROL VALVE ASSEMBLY NO. 43-1710

Ref. No.	Part No.	Description	No. Used
1	22-8330	Plug	2
2	237-42	O-Ring	2
3	22-8340	Spring	2
4	22-8350	Ball	2
5	22-8370	Seat - Check Valve	2
6	22-8360	Pin - Cam	2
7	43-1730	Body	1

Ref. No.	Part No.	Description	No. Used
8	22-8420	Spool	1
10	22-8380	Spring Retainer	1
11	22-8410	Spring	1
12	22-8390	Spring Retainer	1
13	22-8400	Spacer Float	1
14	22-8480	Spring Ring Spool	1
15	22-8490	Snap Ring	1

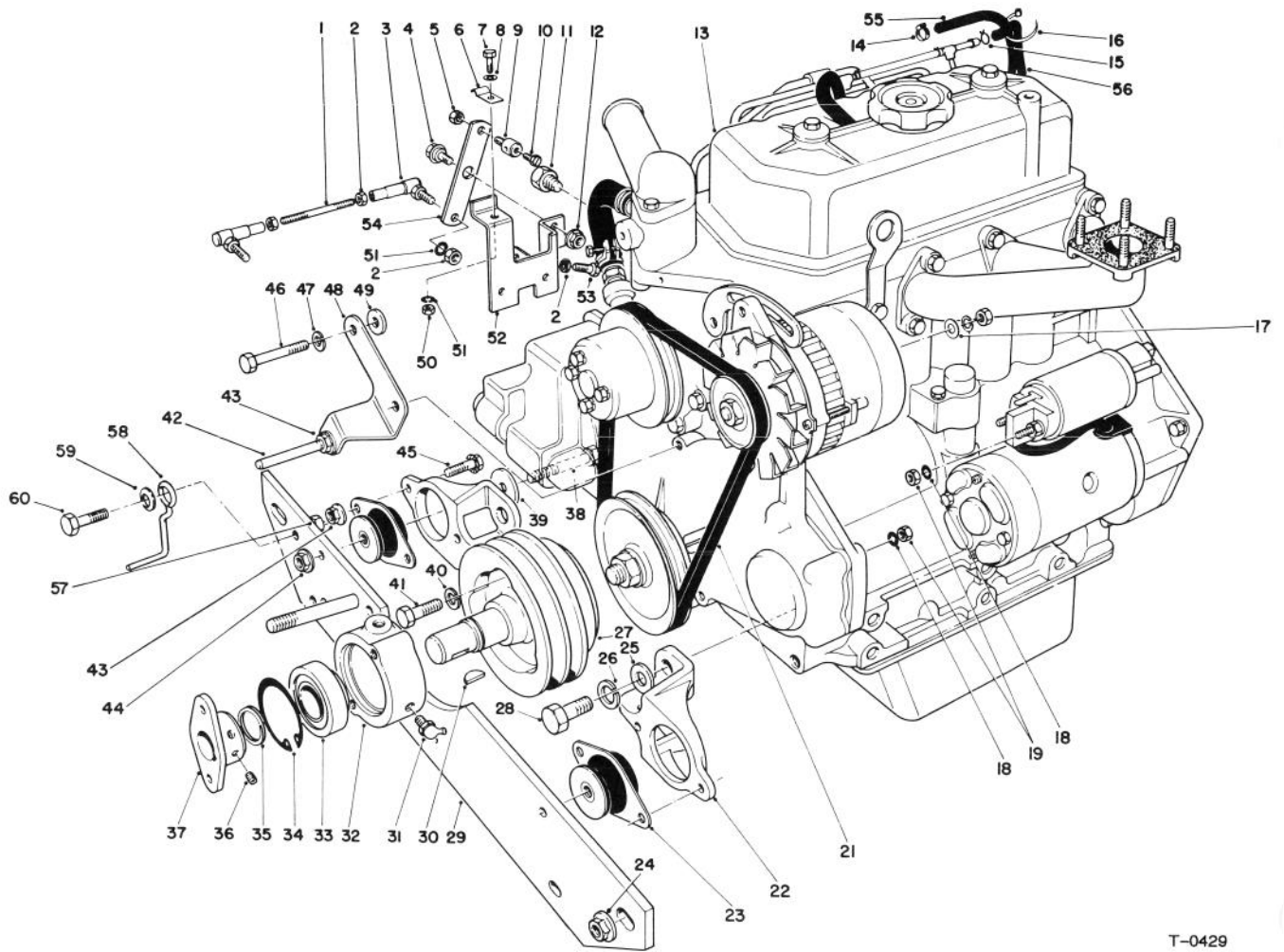


T-0429

## ENGINE ASSEMBLY

Ref. No.	Part No.	Description	No. Used
1	43-3770	Link - Throttle	1
2	3219-1	Nut	5
3	18-1720	Ball Joint Assembly	2
4	37-8770	Bolt - Shoulder	1
5	3296-20	Nut - Lock	1
6	2412-31	Clamp - Bodine	1
7	321-4	Screw - Cap, Hex. Hd.	1
8	3256-22	Washer - Flat	1
9	43-3780	Swivel - Throttle Control	1
10	25-8640	Screw - Machine	1
11	43-1940	Adapter - Temp. Gauge	1
12	32152-1	Nut - Lock, Flange	1
13	43-1440	Engine	1
14	2412-108	Clamp - Worm Drive	1
15	2412-79	Clamp	1
16	3290-378	Cable Tie	1
17	5-3637	Washer	1
18	3254-2	Washer - Lock, Int. Tooth	3
19	42-9580	Nut	2
21	42-9100	Belt Fan	1
22	53-9710	Engine Mount	2
23	53-9680	Engine Mount - Rubber	2
24	32128-23	Nut - Lock, Flange	2
25	3256-64	Washer - Flat	4
26	43-5950	Washer - Lock	4
27	43-3510	Pulley - Engine	1

Ref. No.	Part No.	Description	No. Used
28	43-3210	Screw - Cap, Hex. Hd.	4
29	75-9900	Engine Support - Front	1
30	3257-33	Key - Woodruff	1
31	302-10	Fitting - Grease	1
32	43-3720	Collar - Bearing	1
33	251-252	Bearing - Ball	1
34	32120-22	Ring - Retaining, Internal	1
35	32120-69	Ring - Retaining, External	1
36	3245-1	Screw - Set, Socket Head	2
37	27-1960	Hub - Engine	1
38	324-12	Screw - Cap, Hex. Hd.	2
39	53-9480	Washer	2
40	42-9600	Washer - Lock	3
41	43-3190	Screw - Cap, Hex. Hd.	3
42	21-1820	Stud - Belt Retainer	2
43	3290-357	Nut - Lock, Flange	7
44	32128-37	Nut - Lock, Flange	2
45	3234-11	Screw - Cap, Hex. Hd.	4
46	43-3220	Screw - Cap, Hex. Hd.	2
47	3253-4	Washer - Lock	2
48	43-3790	Bracket - Belt Guide	1
49	4-2390	Washer	2
50	3217-5	Nut	1
51	3253-3	Washer - Lock	3
52	43-3730	Bracket Throttle Control	1
53	329-7	Screw - Cap, Hex. Hd.	1

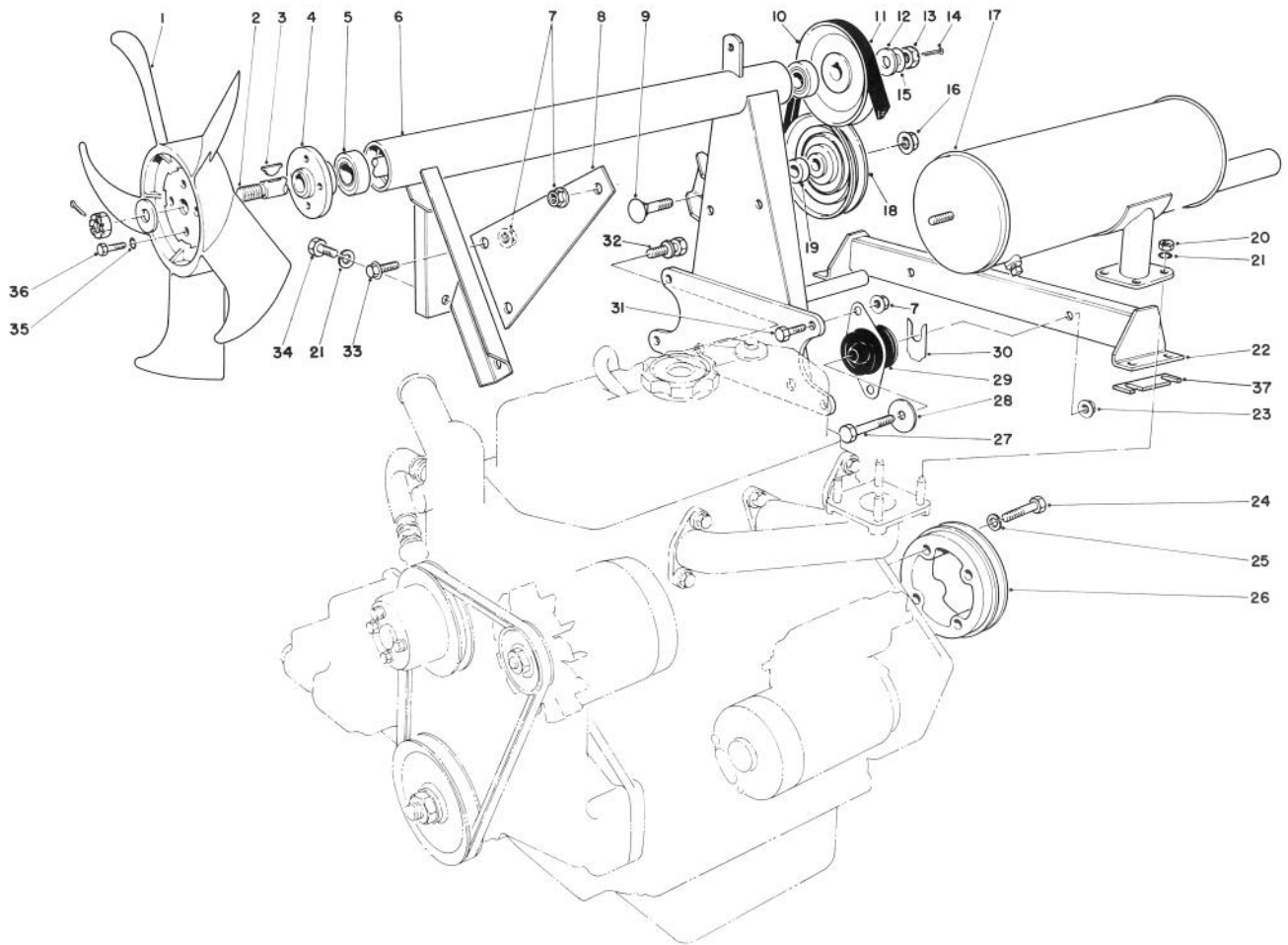


T-0429

## ENGINE ASSEMBLY (Continued)

Ref. No.	Part No.	Description	No. Used
54	43-3760	Lever - Throttle	1
55	47-7420	Hose	1
56	43-4230	Hose	1
57	32153-2	Nut - Lock	1

Ref. No.	Part No.	Description	No. Used
58	63-1400	Belt Guide	1
59	3290-224	Washer - Lock	1
60	3234-18	Screw - Cap, Hex. Hd.	1



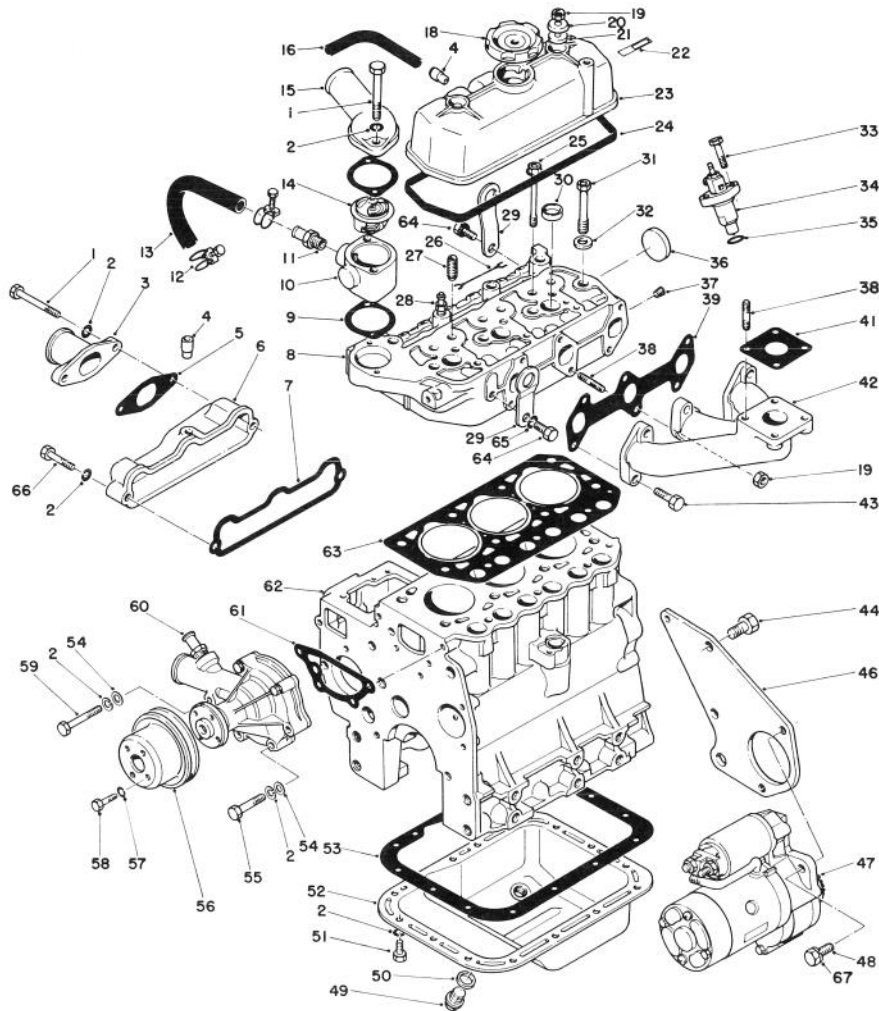
T-0430

## ENGINE ASSEMBLY (Continued)

Ref. No.	Part No.	Description	No. Used
1	43-1910	Fan - Cooling	1
2	43-3690	Fan - Shaft	1
3	3257-30	Key - Woodruff	2
4	43-3700	Hub-Fan	1
5	38-7820	Bearing	2
6	53-9750	Fan Mount	1
7	3290-357	Nut - Lock, Flange	8
8	43-3870	Support - Muffler	1
9	3233-14	Bolt - Carriage	1
10	43-3880	Pulley	1
11	43-5910	V-Belt	1
12	29-8910	Washer	2
13	32136-3	Nut - Hex. Slotted	2
14	3272-16	Pin - Cotter	2
15	3-6803	Washer	A/R
16	32128-23	Nut - Lock, Flange	1
17	43-3850	Muffler	1
18	66-5310	Idler Pulley	1
19	66-5320	Spacer	1
20	42-9580	Nut	4

Ref. No.	Part No.	Description	No. Used
21	3253-4	Washer - Lock	5
22	68-91 50	Engine Mount	1
23	32128-37	Nut - Lock, Flange	2
24	43-3200	Screw - Cap, Hex. Hd.	4
25	42-9600	Washer - Lock	4
26	43-3530	Pulley Flywheel	1
27	324-11	Screw - Cap, Hex. Hd.	2
28	53-9480	Washer	2
29	53-9680	Engine Mount - Rubber	2
30	42-6080	Shim	A/R
31	3234-11	Screw - Cap, Hex. Hd.	4
32	66-7030	Screw - Cap, w/Washer	2
33	3234-12	Screw - Lock, Flange	2
34	42-9230	Screw - Cap, Hex. Hd.	1
35	3253-3	Washer - Lock	4
36	321-3	Screw - Cap, Hex. Hd.	4
37	68-9110	Shim	A/R
*	68-9111	Shim	A/R
*	68-9112	Shim	A/R

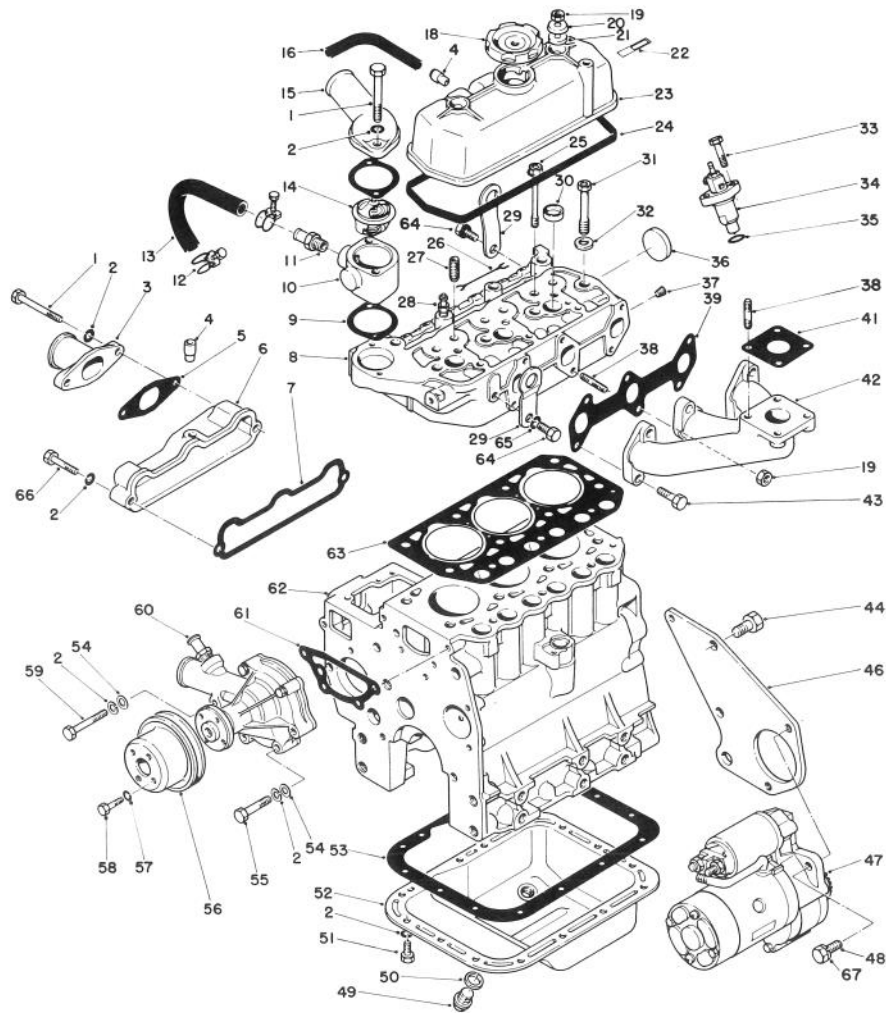
\*Not Illustrated



T-0431

## ENGINE ASSEMBLY (Continued)

Ref. No.	Part No.	Description	No. Used	Ref. No.	Part No.	Description	No. Used
1	42-9310	Screw - Cp, Hex. Hd.	4	26	42-9180	Wire - Glow Plug Lead	2
2	42-9850	Washer - Lock	24	27	42-7460	Guide - Valve	6
3	42-9150	Pipe Inlet	1	28	42-7480	Glow Plug	3
4	42-7510	Pipe	2	29	42-7440	Hanger - Engine	2
5	42-9160	Gasket - Inlet Pipe	1	30	42-7080	Cap - Sealing (25)	3
6	42-9120	Intake Manifold Assembly	1	31	42-9320	Bolt - Cylinder Head (12 x 98)	8
7	42-9140	Gasket - Intake Manifold	1	32	42-9790	Washer - Head Bolt	8
8	72-4290	Head Assembly - Cylinder	1	33	42-9390	Bolt (8 x 32)	6
9	42-7550	Gasket	2	34	44-8070	Nozzle & Holder Assembly	3
10	43-1790	Fitting - Thermostat	1	35	42-8120	Gasket - Nozzle Holder	3
11	42-7740	Nipple - Hose	1	36	42-7090	Cap - Sealing (45)	1
12	43-3140	Clamp - Hose	2	37	42-7410	Plug - Taper 1/8	1
13	43-3130	Hose - Water (Incl. Ref. #12)	1	38	42-9570	Stud (8 x 25)	5
14	43-1780	Thermostat	1	39	42-9170	Gasket - Exhaust Manifold	1
15	42-7540	Fitting - Water Outlet	1	41	42-9110	Gasket	1
16	42-7430	Pipe - Air Breather	1	42	43-1870	Manifold - Exhaust	1
18	42-7420	Cap - Oil Filter	1	43	42-9520	Screw - Cap (8 x 30)	5
19	42-9580	Nut (8)	3	44	42-9240	Screw - Cap (12 x 28)	3
20	42-9800	Washer	2	46	43-1770	Plate - Rear	1
21	42-7490	Seal - Oil	2	47	46-7610	Starter Assembly	1
22	42-7530	Label - Engine No.	1	48	43-0090	Screw - Cap (10 x 25)	2
23	42-7500	Cover Assembly - Rocker	1	49	42-9260	Plug - Oil Drain	1
24	42-7520	Gasket - Rocker Cover	1	50	42-7290	Gasket - Oil Drain Plug (18)	1
25	42-9330	Bolt - Cylinder Head (10 x 90)	3	51	42-9230	Screw - Cap (8 x 16)	15

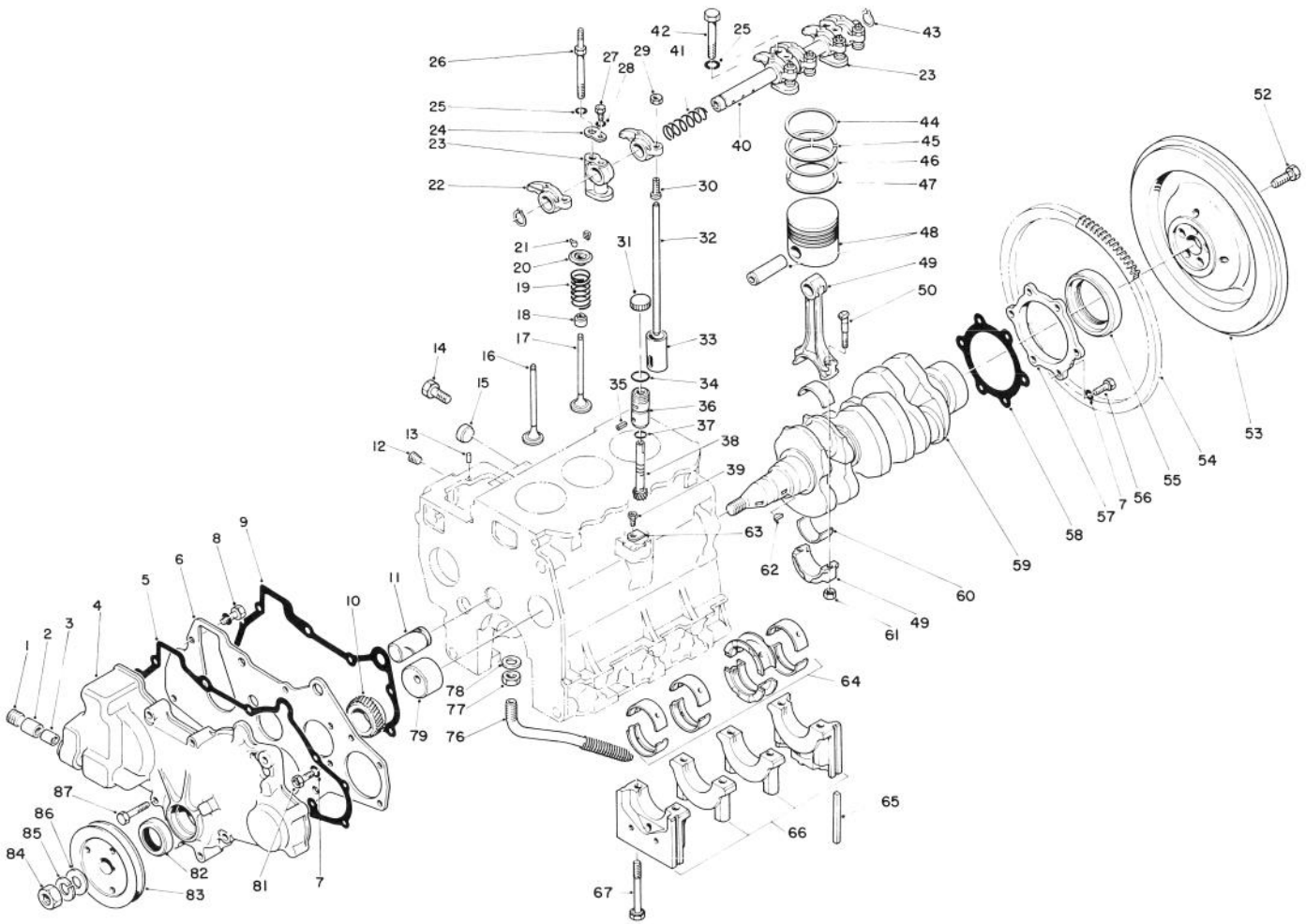


T-0431

## ENGINE ASSEMBLY (Continued)

Ref. No.	Part No.	Description	No. Used	Ref. No.	Part No.	Description	No. Used
52	42-7280	Oil Pan Assembly (Inc. Ref. #49 & 50)	1	60	42-9080	Water Pump Assembly	1
53	42-7300	Gasket - Oil Pan	1	61	42-9090	Gasket - Water Pump	1
54	42-9660	Washer - Plain (8)	4	62	48-2020	Cylinder Block Sub Assy.	1
55	42-9500	Screw - Cap (8 x 45)	3	63	42-7470	Gasket - Cylinder Head	1
56	42-9070	Pulley - Water Pump	1	64	42-9300	Screw -Cap (10 x 20)	2
57	43-5930	Washer - Lock	4	65	42-9600	Washer - Lock	2
58	42-9490	Screw - Cap (6 x 12)	4	66	42-9530	Screw - Cap (8 x 40)	1
59	42-9510	Screw - Cap (8 x 60)	1	67	42-9600	Washer - Lock	2
				*	42-9200	Complete Gasket Set	1

\*Not Illustrated



T-0432

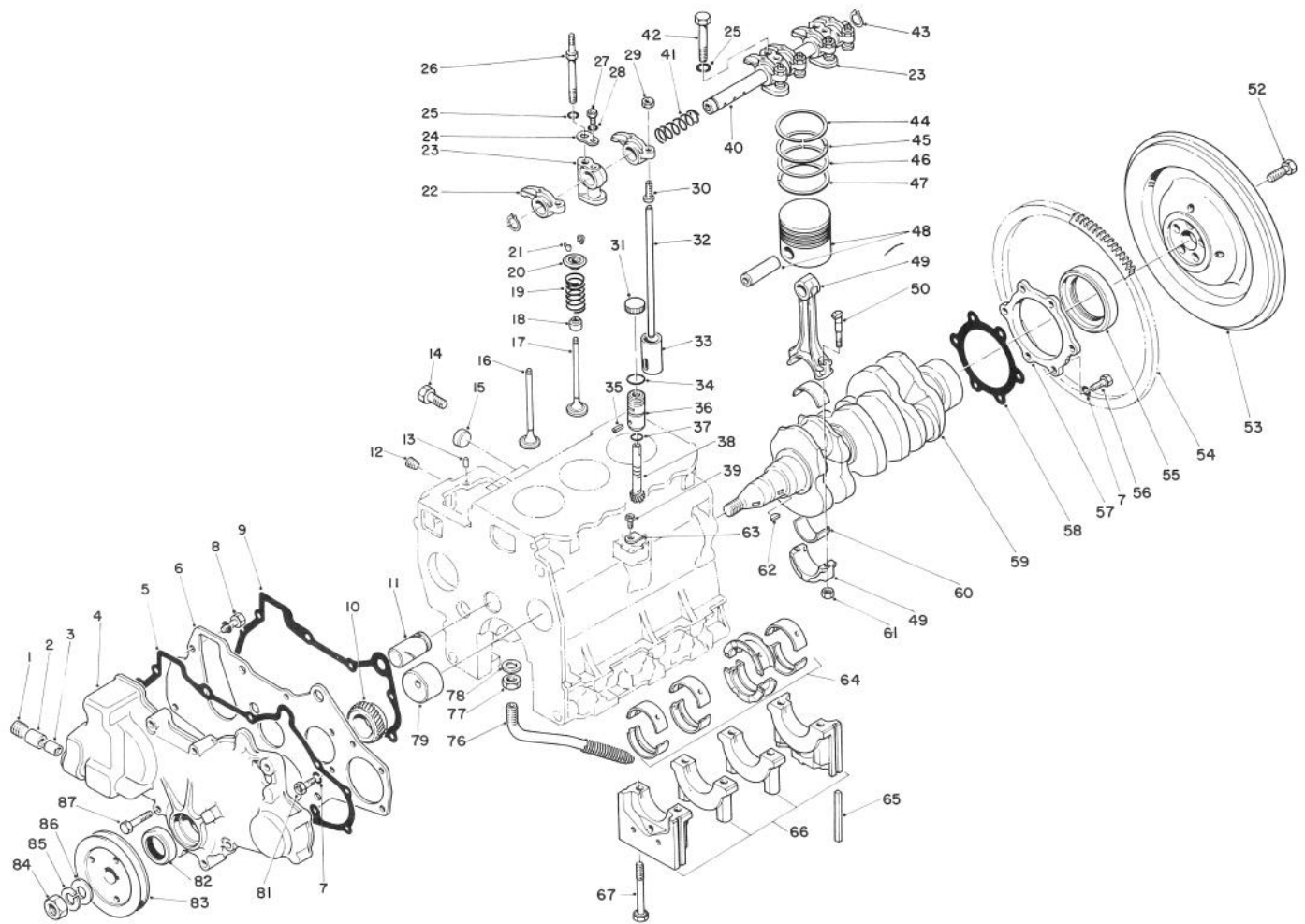
## ENGINE ASSEMBLY (Continued)

Ref. No.	Part No.	Description	No. Used
1	42-7400	Plug - Taper	1
2	42-7320	Bearing - Needle	1
3	42-7310	Bearing - Needle	1
4	42-7330	Case - Gear	1
5	42-7340	Gasket - Gear Case	1
6	62-3740	Plate - Front	1
7	42-9850	Washer - Lock	11
8	62-3730	Screw - Cap, w/Washer	2
9	42-7150	Gasket - Front Plate	1
10	42-7700	Gear - Crankshaft	1
11	42-7110	Shaft - Idler	1
12	42-7210	Plug - Taper	3
13	42-7030	Pin - Dowel	2
14	42-9250	Screw - Cap, Hex. Hd.	4
15	42-7080	Cap - Sealing	2
16	42-7900	Valve - Intake	3
17	42-7910	Valve - Exhaust	3
18	42-7870	Seal - Valve Stem	6
19	42-7880	Spring - Valve	6
20	42-7850	Retainer - Valve Spring	6
21	42-7860	Lock - Spring Retainer	12
22	42-7940	Arm - Rocker	6
23	42-7970	Stay - Rocker	3
24	42-7950	Washer - Seat	2
25	42-9600	Washer - Spring	3
26	42-9360	Bolt	2
27	42-9350	Screw - Cap, Hex. Hd.	2
28	43-5930	Washer - Lock	2
29	42-9620	Nut - Jam	6

Ref. No.	Part No.	Description	No. Used
30	42-7980	Screw - Adjusting	6
31	49-7990	Cap - Shipping	1
32	42-7920	Rod - Push	6
33	42-7890	Tappet	6
34	42-9010	O-Ring	1
35	42-8970	Pin - Spring	1
36	42-8980	Sleeve - Gear	1
37	42-8990	O-Ring	1
†38		Gear - Driven	1
39	42-9440	Screw - Cap, Hex. Hd.	1
40	42-7960	Shaft Assembly - Rocker	1
41	42-7930	Spring - Rocker Shaft L.H.	1
42	42-9370	Screw - Cap, Hex. Hd.	1
43	42-7990	Ring - Snap	2
44	72-4200	Ring - Set - Piston Std.	3
45	72-4210	Ring Set - Piston 0.25 (.010 in.) 0.5.	3
46	72-4220	Ring Set - Piston 0.50 (.020 in.) 0.5.	3
47	72-4230	Ring Set - Piston 0.75 (.030 in.) 0.5.	3
48	72-4240	Piston & Piston Pin Std.	3
*	72-4250	Piston & Piston Pin 0.25 (.010 in.) 0.5.	3
*	72-4260	Piston & Piston Pin 0.50 (.020 in.) 0.5.	3
*	72-4270	Piston & Piston Pin 0.75 (.030 in.) 0.5.	3

\*Not Illustrated

40 †Not Serviced Separately



T-0432

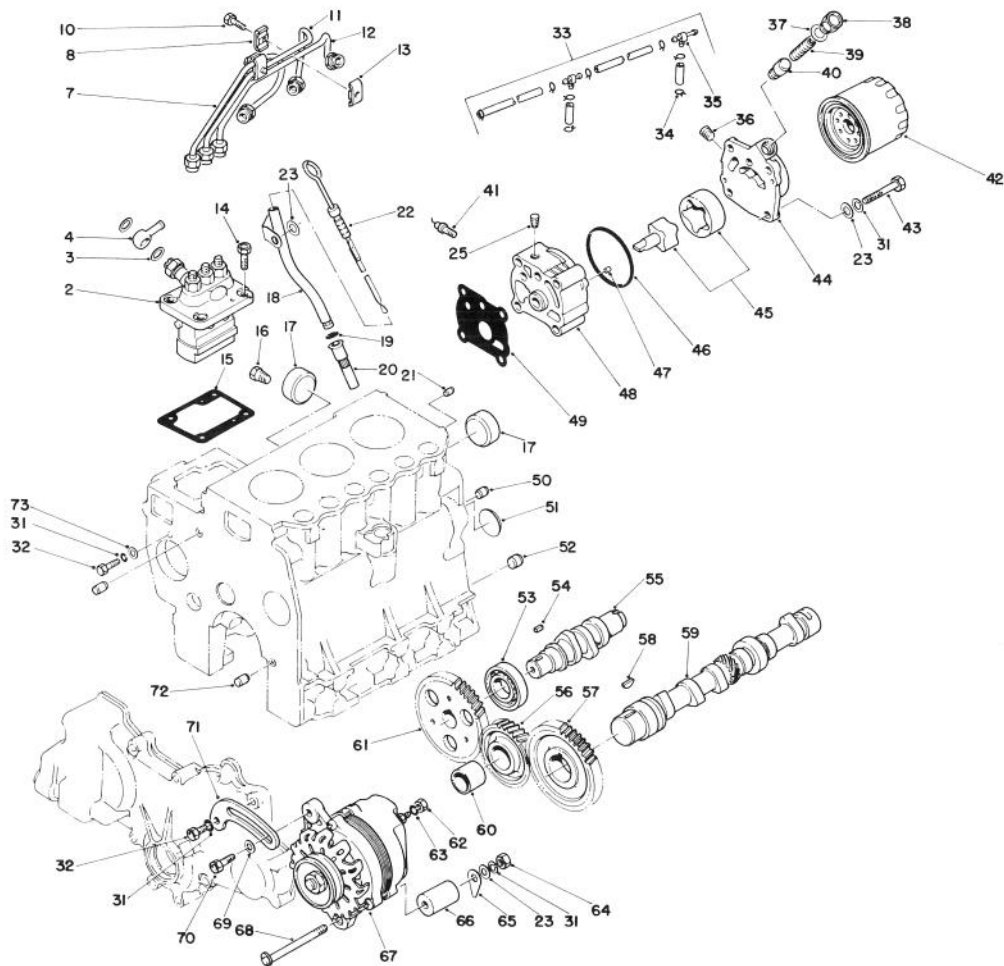
## ENGINE ASSEMBLY (Continued)

Ref. No.	Part No.	Description	No. Used
49	42-7650	Connecting Rod Assembly	3
50	42-9470	Bolt - Connecting Rod	6
52	54-8670	Bolt - Flywheel	5
53	43-1800	Flywheel	1
		(Incl. Ref. #54)	
54	43-1810	Gear - Ring	1
55	42-7060	Seal - Oil	1
56	42-9220	Screw - Cap, Hex. Hd.	6
57	42-7120	Case - Oil Seal	1
58	42-7130	Gasket - Oil Seal	1
59	42-7710	Crankshaft	1
60	42-7660	Bearing Set	
		Connecting Rod Std.	3
*	42-7670	Bearing Set	
		Connecting Rod	
		0.25 (.010 in.) U.S.	3
*	42-7680	Bearing Set	
		Connecting Rod	
		0.50 (.020 in.) U.S.	3
*	42-7690	Bearing Set	
		Connecting Rod	
		0.75 (.030 in.) U.S.	3
61	42-9590	Nut - Connecting Rod	6
62	42-7730	Key - Woodruff	2
63	42-9020	Plate - Locking	1

Ref. No.	Part No.	Description	No. Used
64	42-7230	Bearing Set	
		Crankshaft Std.	1
*	42-7240	Bearing Set - Crankshaft	
		0.25 (.010 in.) U.S.	1
*	42-7250	Bearing Set - Crankshaft	
		0.50 (.020 in.) U.S.	1
*	42-7260	Bearing Set - Crankshaft	
		0.75 (.030 in.) U.S.	1
65	42-7040	Seal - Side	4
†66		Bearing Cap Assembly	1
67	42-9210	Bolt - Bearing Cap	8
76	48-2010	Screen - Assembly Oil	1
77	48-1990	Nut - Jam	1
78	48-1980	Gasket	1
79	42-7100	Bushing - Camshaft	1
81	42-9230	Screw - Cap, Hex. Hd.	3
82	42-7390	Seal - Oil	1
83	42-7720	Pulley - Crankshaft	1
84	43-6470	Nut	1
85	42-9860	Washer - Spring	1
86	42-9810	Washer - Flat	1
87	42-9500	Screw - Cap, Hex. Hd.	8
*	42-8960	Driven Unit - Speedometer	
		(Incl. Ref. #34-38)	1

\*Not Illustrated

†Not Available

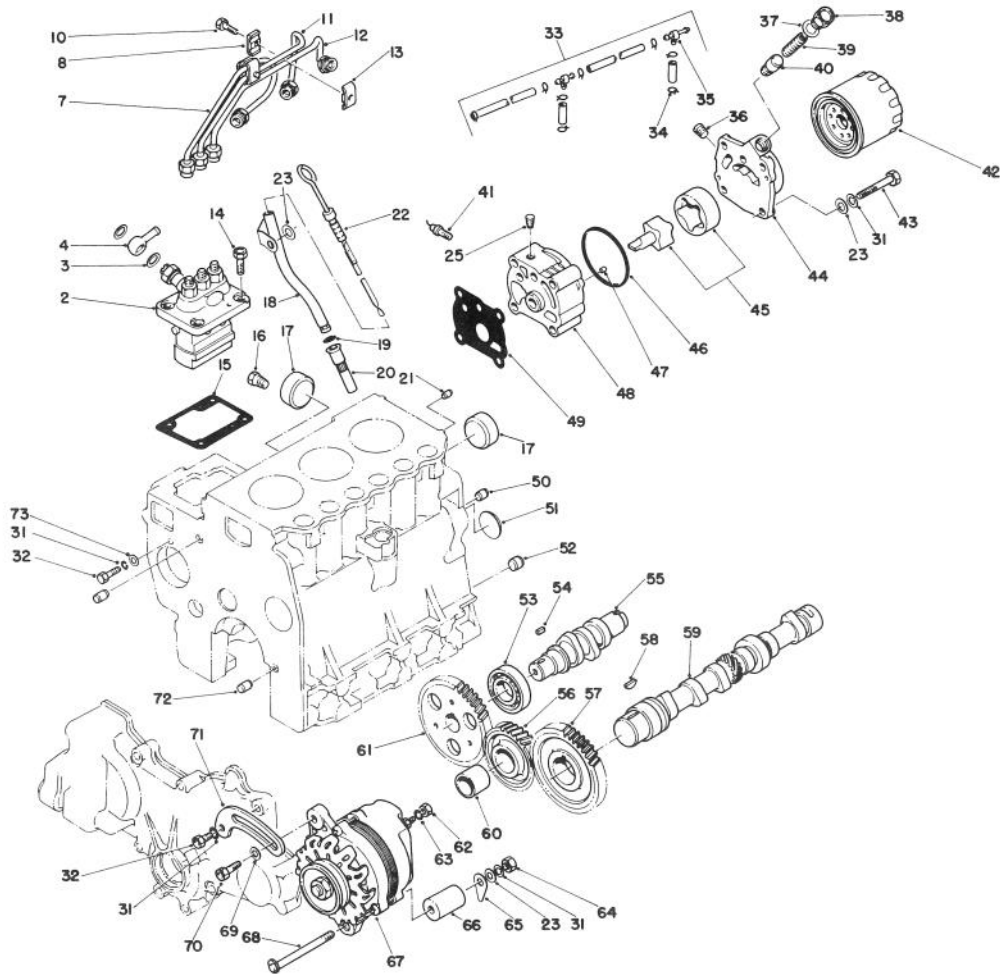


T-0433

## ENGINE ASSEMBLY (Continued)

Ref. No.	Part No.	Description	No. Used	Ref. No.	Part No.	Description	No. Used
2	42-8000	Pump Assy. - Fuel Injection	1	20	43-2900	Retainer - Oil Level Guide	1
3	42-9830	Washer - Seal	2	21	42-71 60	Pin - Dowel	1
4	42-8100	Collar - Union	1	22	42-7270	Gauge Assembly - Oil Level	1
7	42-8130	Pipe Assy. - Fuel Injection (No. 1)	1	23	42-9660	Washer - Flat	6
8	42-8160	Clamp	2	25	42-7410	Plug - Taper	1
10	43-2600	Capscrew	2	31	42-9850	Washer - Lock	7
11	42-8140	Pipe Assy. - Fuel Injection (No. 2)	1	32	42-9230	Screw - Cap, Hex. Hd.	2
12	42-8150	Pipe Assy. - Fuel Injection (No.3)	1	33	42-8180	Fuel Return Pipe Assembly	1
13	42-8170	Clamp	2	34	2412-79	Clamp - Hose	8
14	43-0110	Screw - Cap, Hex. Hd.	4	35	42-8190	Joint	2
15	42-8010	Shim - 0.2 (.008 in.)	A/R	36	42-7210	Plug - Taper	1
*	42-8020	Shim - 0.3 (.012 in.)	A/R	37	42-8880	Gasket	1
*	42-8030	Shim - 0.4 (.016 in.)	A/R	38	42-8870	Plug	1
*	42-8040	Shim - 0.5 (.020 in.)	A/R	39	42-8930	Spring - Relief	1
*	42-8050	Shim - 0.6 (.024 in.)	A/R	40	42-8860	Plunger - Relief	1
*	42-8060	Shim - 0.7 (.028 in.)	A/R	41	42-9060	Oil Pressure Switch Assy.	1
*	42-8070	Shim - 0.8 (.032 in.)	A/R	42	42-9030	Filter Assembly - Oil	1
*	42-8080	Shim - 0.9 (.036 in.)	A/R	43	42-9480	Screw - Cap, Hex. Hd.	4
*	42-8090	Shim - 1.0 (.039 in.)	A/R	44	42-8920	Cover - Oil Pump	1
16	281-1	Plug - Taper	1	45	42-8910	Rotor Assembly - Oil Pump	1
17	42-7090	Cap - Sealing	2	46	42-8940	O-Ring	1
18	42-7050	Guide - Oil Level Gauge	1	47	42-7030	Pin - Dowel	2
19	43-2710	O-Ring	1	48	42-8900	Body - Oil Pump	1
				49	42-8950	Gasket - Oil Pump Body	1
				50	42-7180	Bushing - Knock	2
				51	42-7170	Plug - Expansion	1

\*Not Illustrated



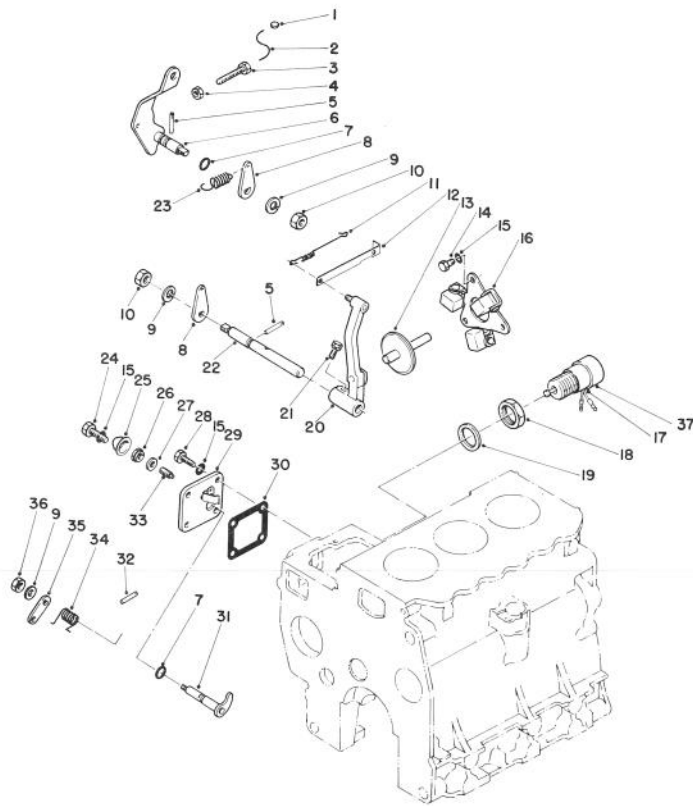
T-0433

## ENGINE ASSEMBLY (Continued)

Ref. No.	Part No.	Description	No. Used
52	42-7200	Bushing - Knock	1
53	42-7820	Bearing - Ball	1
54	42-7840	Key - Sunk	1
55	42-7810	Shaft - Injection Pump Cam	1
56	42-7790	Idler Gear Assembly	1
57	42-7780	Gear - Camshaft	1
58	42-7730	Key - Woodruff	1
59	72-4280	Camshaft	1
60		Bushing - Idler Gear	1
61	42-7830	Gear - Injection Pump Cam	1
62	43-5970	Nut	1
63	43-5920	Washer - Lock	1
64	42-9580	Nut	1

Ref. No.	Part No.	Description	No. Used
65	43-0370	Shim	AIR
66	43-0380	Spacer	1
67	43-0390	Alternator (Model AH2035M4)	1
68	43-1900	Screw - Cap, Hex. Hd.	1
69	54-8660	Washer	1
70	54-8650	Screw - Cap, Flange Hd.	1
71	43-0400	Brace - Alternator	1
72	42-7190	Bushing - Knock	2
73	42-9820	Washer	1
*	42-8850	Oil Pump Assembly (Incl. Ref. 36-40 & 44-48)	1

\*Not Illustrated

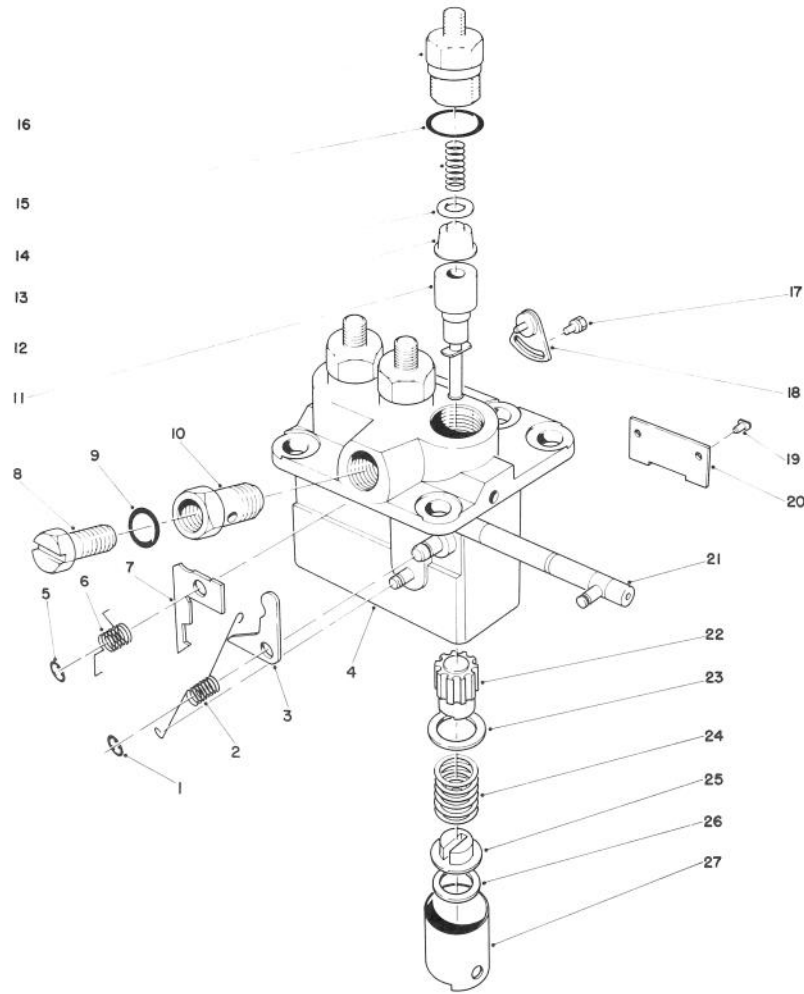


T-0434

## ENGINE ASSEMBLY (Continued)

Ref. No.	Part No.	Description	No. Used
1	42-8690	Metal - Sealing	1
2	42-8700	Wire	1
3	42-9420	Bolt - High Speed Set	1
4	43-2830	Nut	1
5	42-8810	Pin - Grooved	2
6	42-8780	Speed Control Lever Assy.	1
7	42-8830	O-Ring	2
8	42-8770	Lever - Governor Spring	2
9	42-9850	Washer - Lock	2
10	42-9580	Nut - Jam	2
11	42-8740	Spring - Tie Rod	1
12	42-8750	Tie Rod	1
13	42-8720	Sliding Shaft Assembly	1
14	42-9430	Screw - Cap, Hex. Hd.	3
15	43-5930	Washer - Lock	7
16	42-8710	Weight Assy. - Governor	1
17	43-2730	Solenoid - Tubular	1
18	43-2750	Nut	1
19	43-2740	Gasket	1

Ref. No.	Part No.	Description	No. Used
20	42-8730	Governor Lever Assembly	1
21	42-9450	Bolt/Washer - Assembled	1
22	42-8760	Governor Shaft	1
23	42-8820	Governor Spring	1
24	43-2800	Screw - Cap, Hex. Hd.	1
25	43-2820	Sealing Cap	1
26	43-5960	Nut - Special	1
27	43-3120	Washer - Seal	1
28	42-9400	Screw - Cap, Hex. Hd.	3
29	42-8790	Cover Assembly (Incl. Ref. #25, 27 & 33)	1
30	42-8800	Gasket Cover	1
31	44-8090	Lever Assembly Stop	1
32	42-8810	Pin - Grooved	1
33	43-3160	Screw - Adjusting	1
34	44-8100	Spring Return	1
35	43-2770	Lever - Stop	1
36	42-9640	Nut - Jam	1
37	62-6940	Cap	1



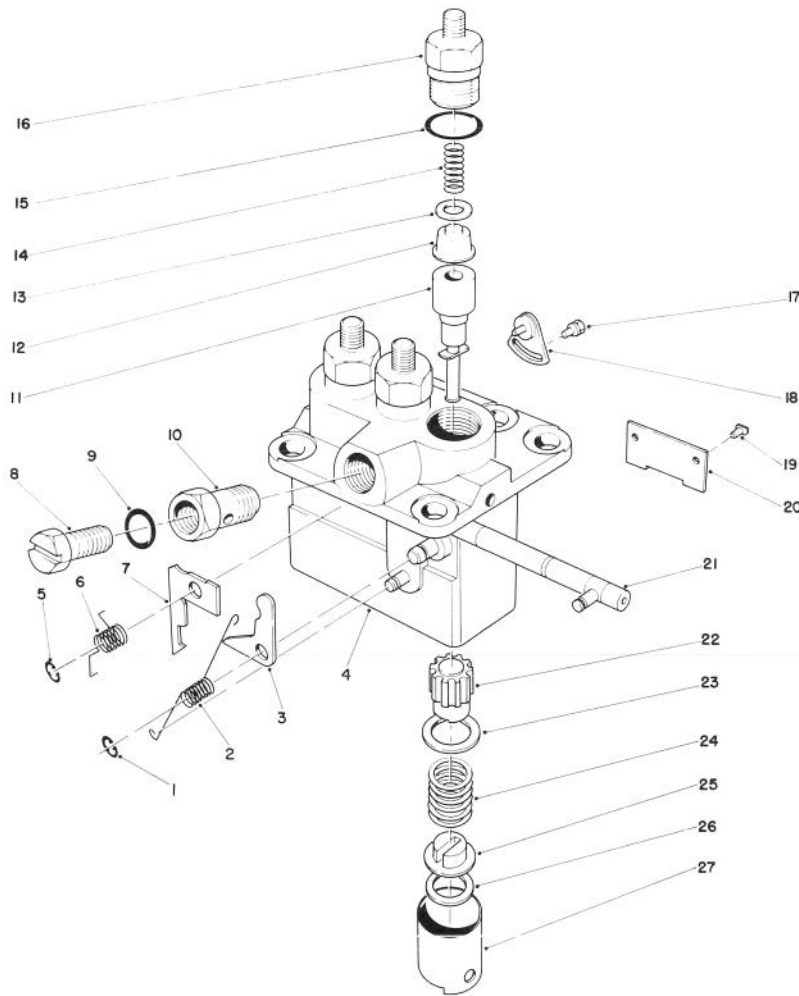
T-0435

## FUEL INJECTION PUMP ASSEMBLY NO. 42-8000

Ref. No.	Part No.	Description	No. Used
1	43-3100	E-Ring	1
2	43-3110	Spring - Ungleich Set	1
3	43-2910	Plate - Ungleich Set 16.9 (.665 in.)	A/R
*	43-2920	Plate - Ungleich Set 16.8 (.661 in.)	A/R
*	43-2930	Plate - Ungleich Set 16.7 (.657 in.)	A/R
*	43-2940	Plate - Ungleich Set 16.6 (.654 in.)	A/R
*	43-2950	Plate - Ungleich Set 16.5 (.650 in.)	A/R
4		Pump Housing Sub Assy.	1
5	54-8780	E-Ring	1
6	42-8460	Spring Return	1
7	43-3000	Plate - Smoke Set 2.2 (.087 in.)	A/R
*	54-8700	Plate - Smoke Set 2.3 (.091 in.)	A/R
*	43-3010	Plate - Smoke Set 2.4 (.095 in.)	A/R
*	54-8710	Plate - Smoke Set 2.5 (.098 in.)	A/R
*	43-3020	Plate - Smoke Set 2.6 (.102 in.)	A/R

Ref. No.	Part No.	Description	No. Used
*7	56-0960	Plate - Smoke Set 2.7 (.106 in.)	A/R
*	43-3030	Plate - Smoke Set 2.8 (.110 in.)	A/R
*	54-8730	Plate - Smoke Set 2.9 (.114 in.)	A/R
*	43-3040	Plate - Smoke Set 3.0 (.118 in.)	A/R
*	54-8740	Plate - Smoke Set 3.1 (.122 in.)	A/R
*	43-3050	Plate - Smoke Set 3.2 (.126 in.)	A/R
*	54-8750	Plate - Smoke Set 3.3 (.130 in.)	A/R
*	43-3060	Plate - Smoke Set 3.4 (.134 in.)	A/R
*	54-8760	Plate - Smoke Set 3.5 (.138 in.)	A/R
*	43-3070	Plate - Smoke Set 3.6 (.142 in.)	A/R
*	54-8770	Plate - Smoke Set 3.7 (.146 in.)	A/R
*	43-3080	Plate - Smoke Set 3.8 (.150 in.)	A/R
*	43-3090	Plate - Smoke Set 4.0 (.157 in.)	A/R

\*Not Illustrated



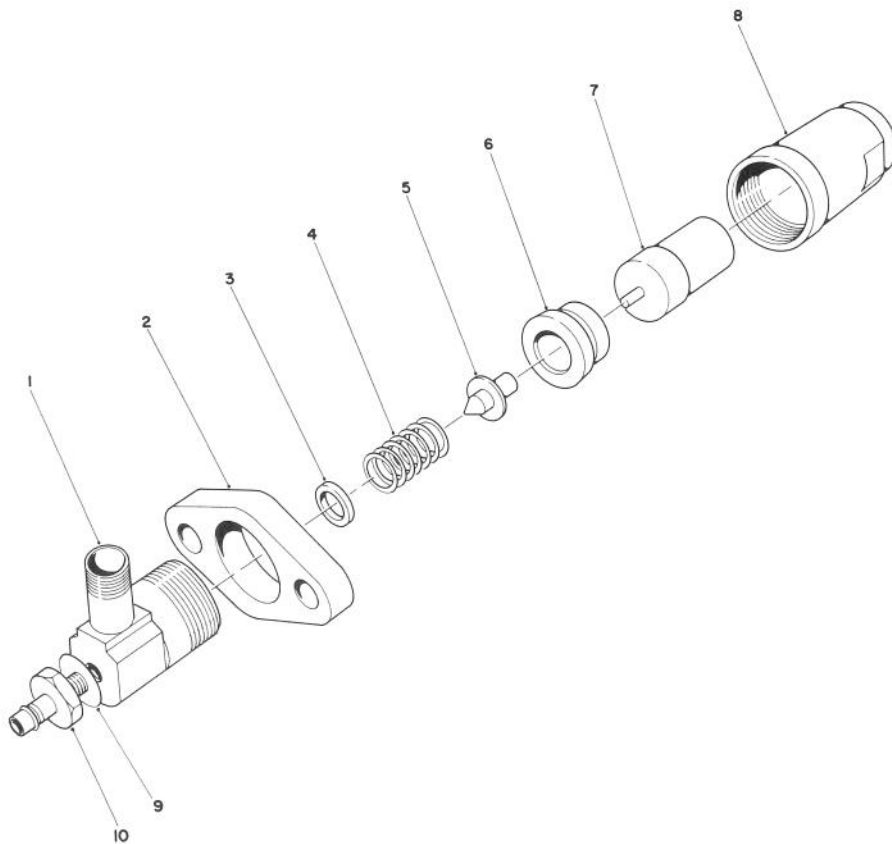
T-0435

## FUEL INJECTION PUMP ASSEMBLY NO. 42-8000 (Cont.)

Ref. No.	Part No.	Description	No. Used
8	42-8370	Screw - Air Breather	1
9	42-9770	Washer	1
10	42-8380	Screw - Hollow	1
11	42-8260	Element Sub Assembly	3
12	42-8250	Delivery Valve Sub Assy.	3
13	42-8240	Gasket - Delivery Valve	3
14	42-8230	Spring - Delivery Valve	3
15	42-8330	O-Ring	3
16	42-8220	Holder - Delivery Valve	3
17	43-3150	Bolt/Washer - Assembled	2
18	42-8360	Plate Assembly - Adjusting	2
19	42-8340	Pin - Tappet Guide	3
20	42-8350	Plate	1
21	42-8310	Rack Assembly - Control	1
22	42-8270	Sleeve - Plunger Control	3
23	42-8280	Seat - Spring, Upper	3
24	42-8290	Spring - Pump Plunger	3
25	42-8320	Seat - Spring, Lower	3

Ref. No.	Part No.	Description	No. Used
26	42-8390	Shim - Plate 0.6 (.0241 in.)	A/R
*	42-8400	Shim - Plate 0.2 (.008 in.)	A/R
*	42-8410	Shim - Plate 0.3 (.0121 in.)	A/R
*	42-8420	Shim - Plate 0.4 (.016 in.)	A/R
*	42-8430	Shim - Plate 0.5 (.020 in.)	A/R
*	42-8440	Shim - Plate 0.25 (.010 in.)	A/R
*	42-8450	Shim - Plate 0.35 (.014 in.)	A/R
*	43-6240	Shim - Plate 0.45 (.018 in.)	A/R
*	54-8680	Shim - Plate 0.55 (.022 in.)	A/R
*	54-8690	Shim - Plate 0.65 (.026 in.)	A/R
27	42-8300	Tappet Sub Assembly	3

\*Not Illustrated



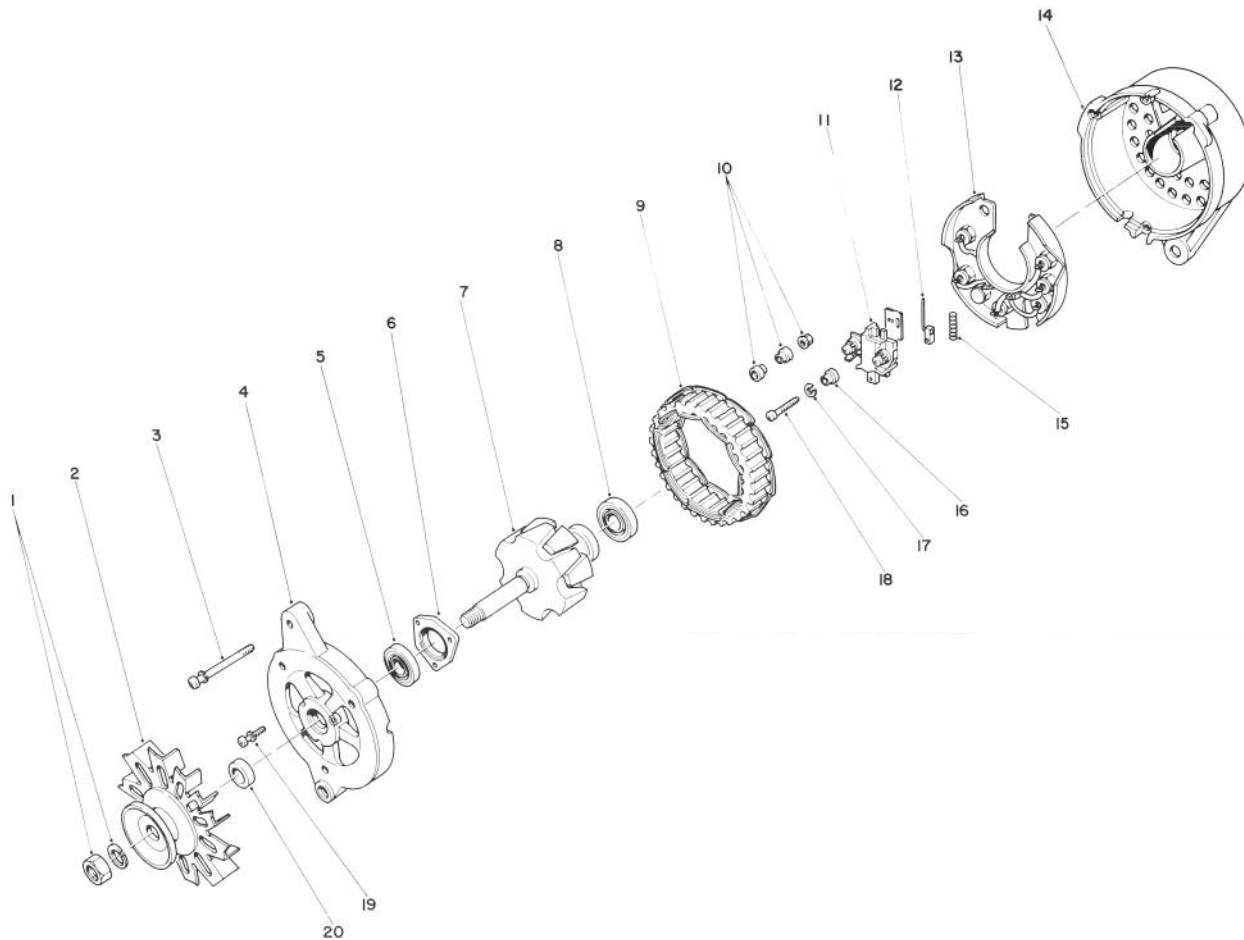
T-0436

## NOZZLE & HOLDER ASSEMBLY NO. 44-8070

Ref. No.	Part No.	Description	No. Used
1	44-8080	Body	3
2	42-8670	Flange	3
3	42-9680	Washer 1.3 (.051 in.)	A/R
*	42-9690	Washer 1.35 (.053 in.)	A/R
*	42-9700	Washer 1.4 (.055 in.)	A/R
*	42-9710	Washer 0.9 (.035 in.)	A/R
*	42-9720	Washer 1.0 (.039 in.)	A/R

Ref. No.	Part No.	Description	No. Used
*3	42-9730	Washer 1.1 (.043 in.)	A/R
*	42-9740	Washer 1.2 (.047 in.)	A/R
*	42-9750	Washer 0.1 (.004 in.)	A/R
4	42-8630	Spring - Pressure	3
5	42-8620	Pin - Pressure	3
6	42-8660	Piece - Distance	3
7	42-8680	Nozzle Assembly	3
8	42-8650	Nut - Retaining	3
9	42-9670	Washer	3
10	42-8640	Nipple	3

\*Not Illustrated

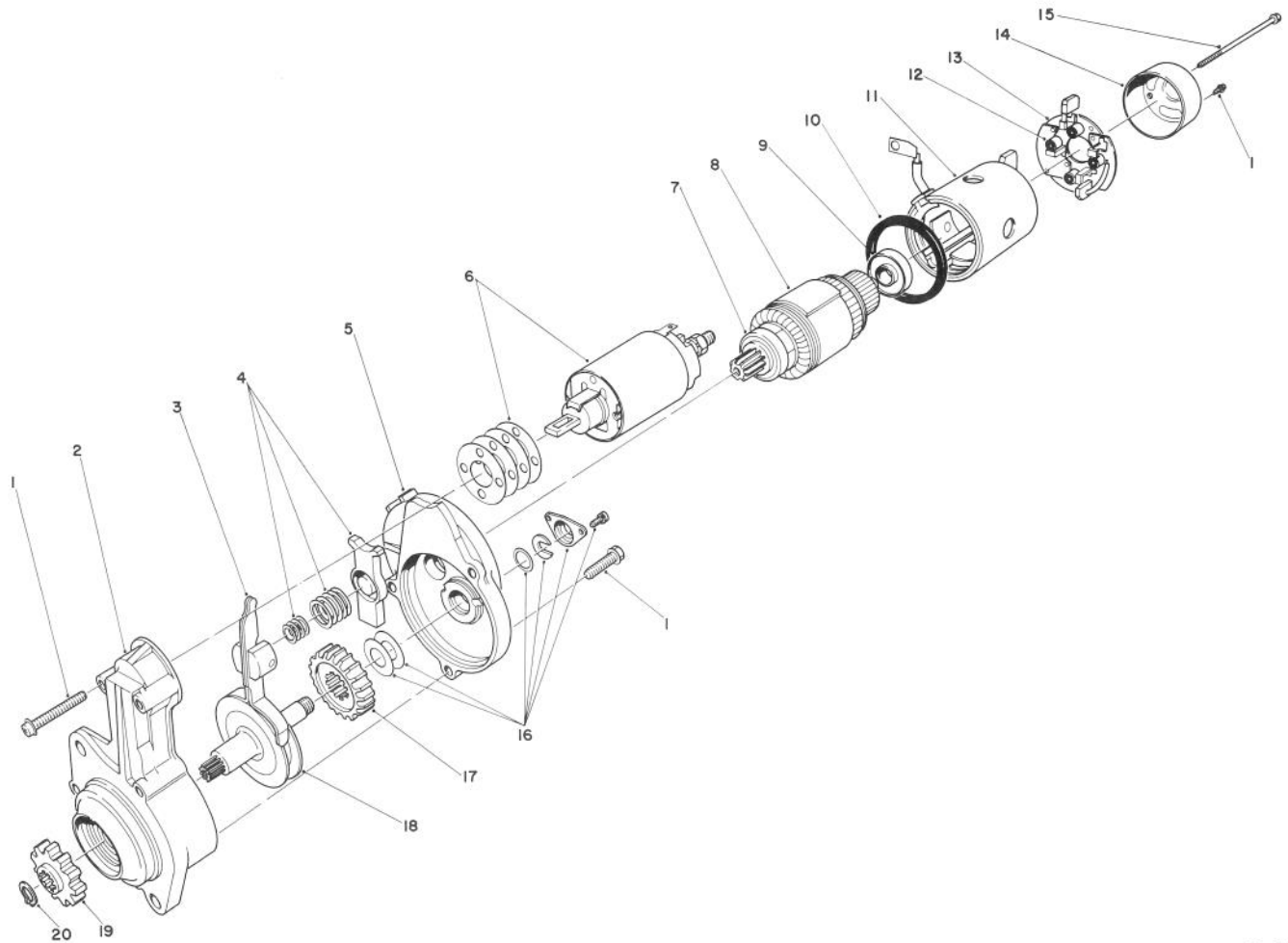


T-0437

## ALTERNATOR ASSEMBLY NO. 43-0390

Ref. No.	Part No.	Description	No. Used
1	43-1920	Nut Set	1
2	43-0420	Pulley Assembly (Incl. Ref. #20)	1
3	43-0120	Screw - Set	1
4	43-0430	Bracket Assembly Front (Incl. Ref. #5-6 & 19)	1
5	43-0440	Bearing - Front	1
6		Plate - Bearing Retainer	1
7	43-0450	Rotor Assembly (Incl. Ref. #8)	1
8	43-0460	Bearing - Rear	1
9	43-0470	Stator	1
10	43-0080	Nut - Set	1

Ref. No.	Part No.	Description	No. Used
11	43-0490	Holder Assembly Brush (Incl. Ref. #12 & 15)	1
12	43-0500	Brush	2
13	43-0520	Rectifier Assembly	1
14	43-0480	Rear Bracket Assembly (Incl. Ref. #10-13 & 15-18)	1
15	43-0510	Spring - Brush	1
16	43-2720	Mold	1
17	43-5920	Washer - Lock	1
18	43-1890	Screw	1
19	43-0130	Screw - Set	1
20		Collar - Shaft	1



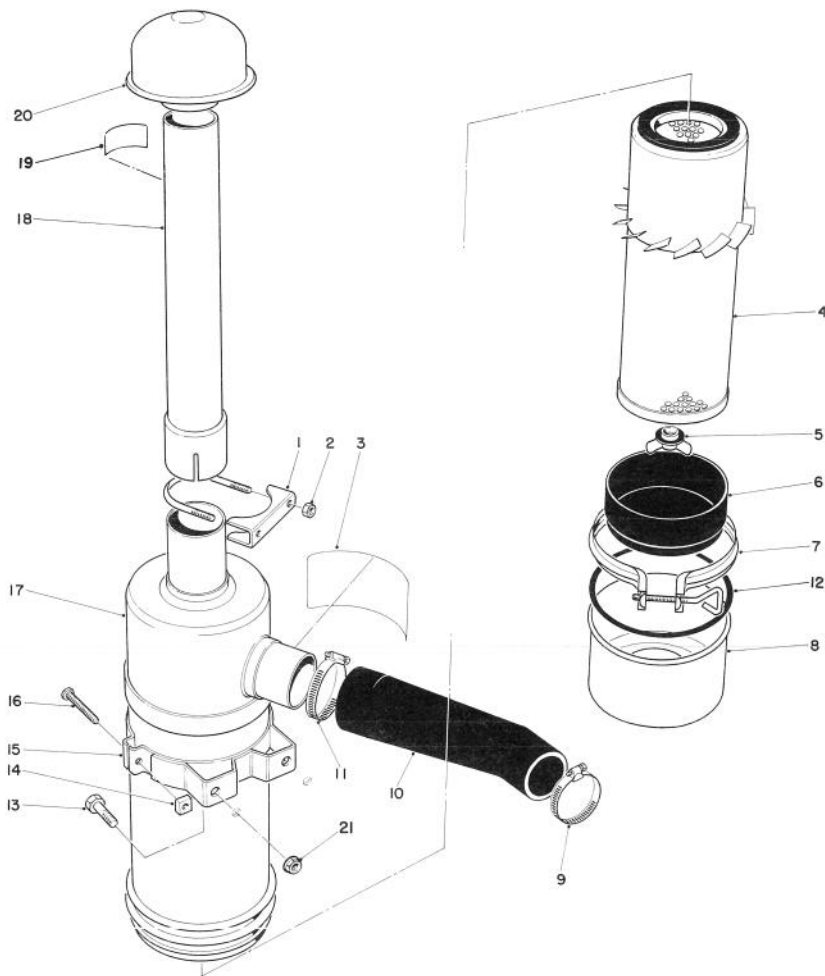
T-0438

## STARTER ASSEMBLY NO. 46-7610

Ref. No.	Part No.	Description	No. Used
1	46-7620	Screw - Set	1
2	46-7630	Bracket Assembly - Front	1
3	46-7540	Lever Assembly	1
4	43-0190	Spring Set	1
5	46-7650	Bracket Assembly - Center	1
6	46-7660	Switch Assembly	1
7	46-7680	Bearing - Front	1
8	46-7670	Armature Set (Incl. Ref. #7 & 9)	1
9	46-7690	Bearing - Rear	1
10	46-8050	Packing	1
11	46-7780	Yoke Assembly	1
12	46-8030	Spring - Brush	4

Ref. No.	Part No.	Description	No. Used
13	46-7790	Brush Holder Assembly (Incl. Ref. #12)	1
14	46-8040	Bracket - Rear	1
15	46-7700	Bolt Set	1
16	46-7770	Cover Set	1
17	46-7760	Gear	1
18	46-7750	Shaft Assembly Pinion	1
19	46-7720	Pinion Set (Incl. Ref. #20)	1
20	46-7730	Snap Ring	1
*	46-7740	Gear Set (Incl. Ref. #17 & 18)	1
*	46-7710	Shaft Assembly - Clutch (Incl. Ref. #16-20)	1

\*Not Illustrated

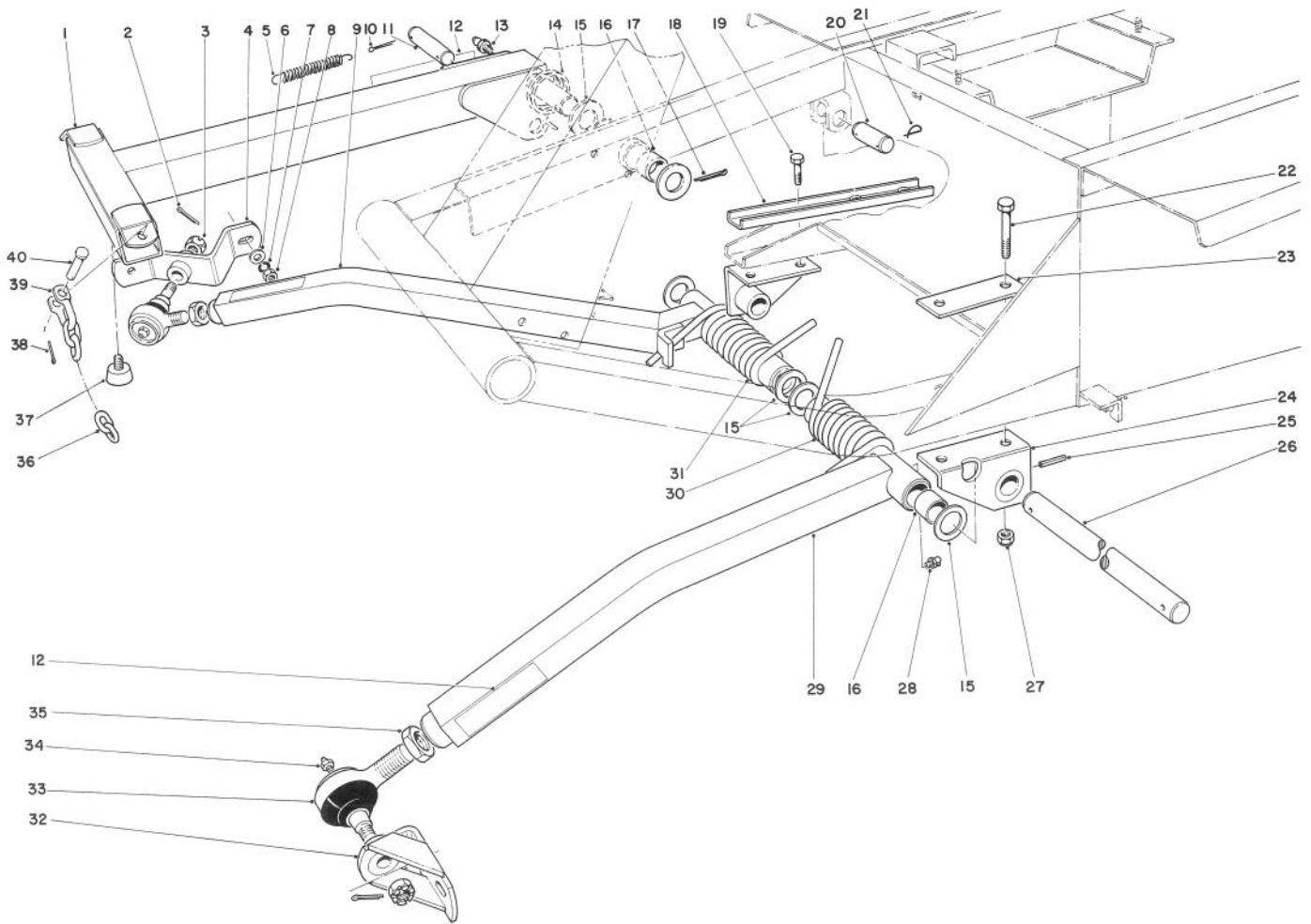


T-0439

## AIR CLEANER ASSEMBLY

Ref. No.	Part No.	Description	No. Used
1	20-4840	Muffler Clamp (Incl. Ref. #2)	1
2	3217-6	Nut	2
3	27-7160	Decal - Instructions	1
4	27-7110	Element Assembly	1
5	27-7120	Nut & Gasket Assembly	1
6	27-7140	Skirt - Baffle	1
7	27-7130	Clamp Assembly	1
8	27-7150	Cap Assembly	1
9	2412-3	Hose - Clamp	1
10	43-3830	Hose - Air Cleaner	1
11	2412-42	Hose Clamp	1

Ref. No.	Part No.	Description	No. Used
12	80-3330	Gasket	1
13	322-3	Screw - Cap, Hex. Hd.	4
14	32107-11	Nut	2
15	27-7170	Band Assy. (Incl. Ref. #14 & 16)	2
16	3258-19	Screw - Mach. Rd. Hd.	2
17	27-7100	Air Cleaner Assembly (Incl. Ref. #3-8)	1
18	43-3810	Tube - Air Cleaner	1
19	67-1700	Decal - Starting Fluid	1
20	27-7180	Cap Assembly - Air Inlet	1
21	32128-20	Nut - Flange	4

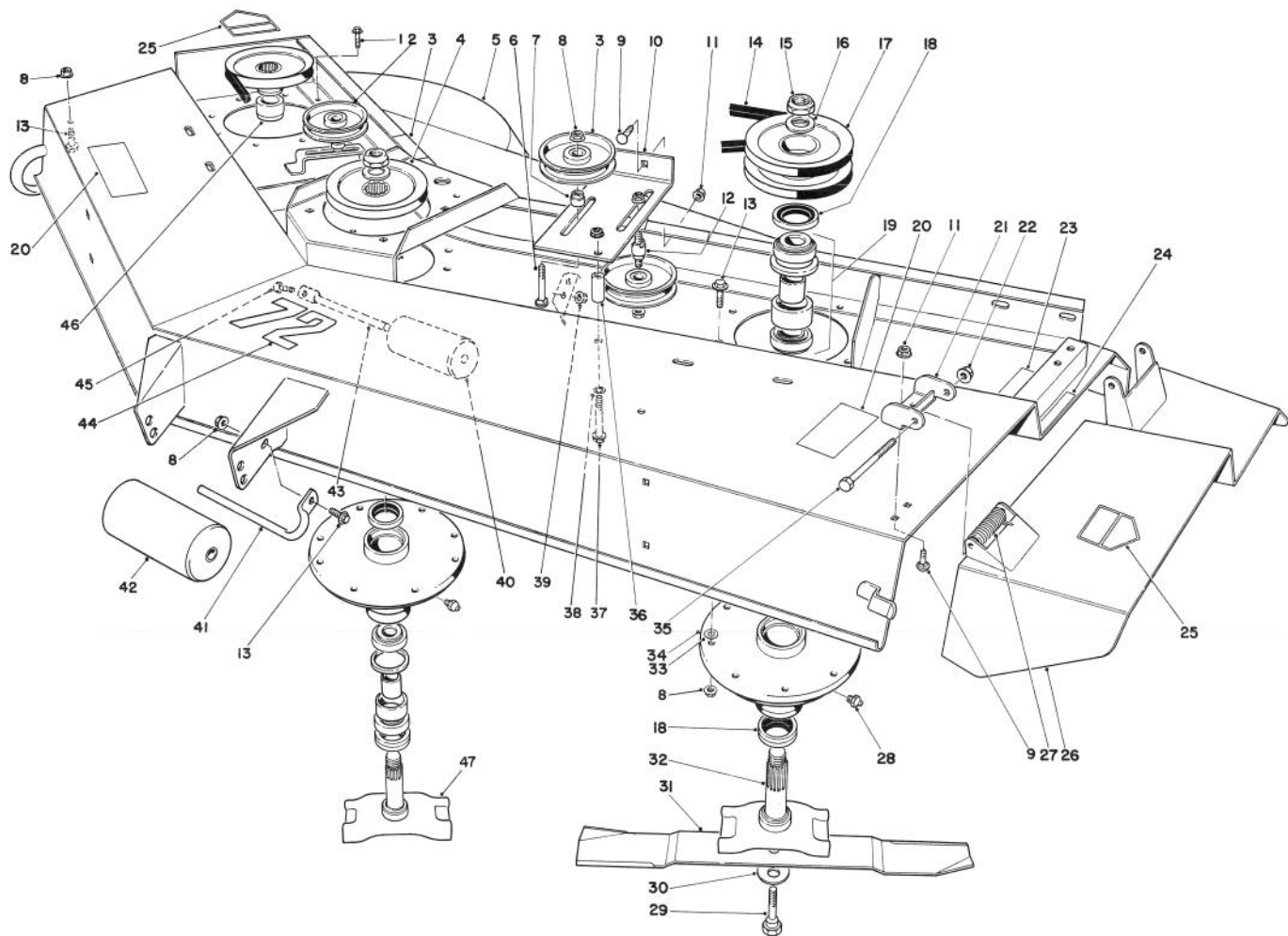


T-0440

## PUSH ARM ASSEMBLY

Ref. No.	Part No.	Description	No. Used
1	66-6370	Lift Arm	1
2	3272-11	Pin - Cotter	2
3	32136-2	Nut	2
4	21-3020	Ball Joint Mount R.H.	1
5	21-1830	Spring Tension	1
6	3256-25	Washer - Flat	1
7	3253-6	Washer - Lock	2
8	3217-8	Nut - Full	2
9	66-7150	Push Arm R.H. (Incl. Ref. #16 & 28)	1
10	3272-24	Cotter Pin	1
11	24-9510	Pin	1
12	61-3610	Warning Decal	3
13	302-5	Fitting - Grease	1
14	46-8840	Spring - Lift Arm	1
15	5-1754	Washer	6
16	256-126	Bushing	6
17	3272-33	Pin - Cotter	1
18	23-1950	Support - Reinforcement	1
19	324-4	Screw - Cap, Hex. Hd.	2
20	3-7292	Pin	1

Ref. No.	Part No.	Description	No. Used
21	5-3126	Pin - Spring	3
22	324-12	Screw - Cap, Hex. Hd.	2
23	21-3750	Support Plate	1
24	21-2860	Push Arm Bracket	2
25	32121-84	Pin - Roll	2
26	21-2990	Shaft - Pivot	1
27	32152-9	Nut	4
28	302-33	Fitting - Grease	2
29	21-2960	Push Arm L.H. (Incl. Ref. #16 & 28)	1
30	21-2900	Spring - Torsion L.H.	1
31	21-2890	Spring - Torsion R.H.	1
32	21-3050	Ball Joint Mount L.H.	1
33	21-0160	Ball Joint Assembly	2
34	302-2	Fitting - Grease	2
35	21-3000	Nut - Jam	2
36	3-1365	Chain - Lift	3
37	67-9800	Bumper	1
38	3272-10	Pin - Cotter	3
39	5-2942	Shackle	3
40	283-10	Pin	3



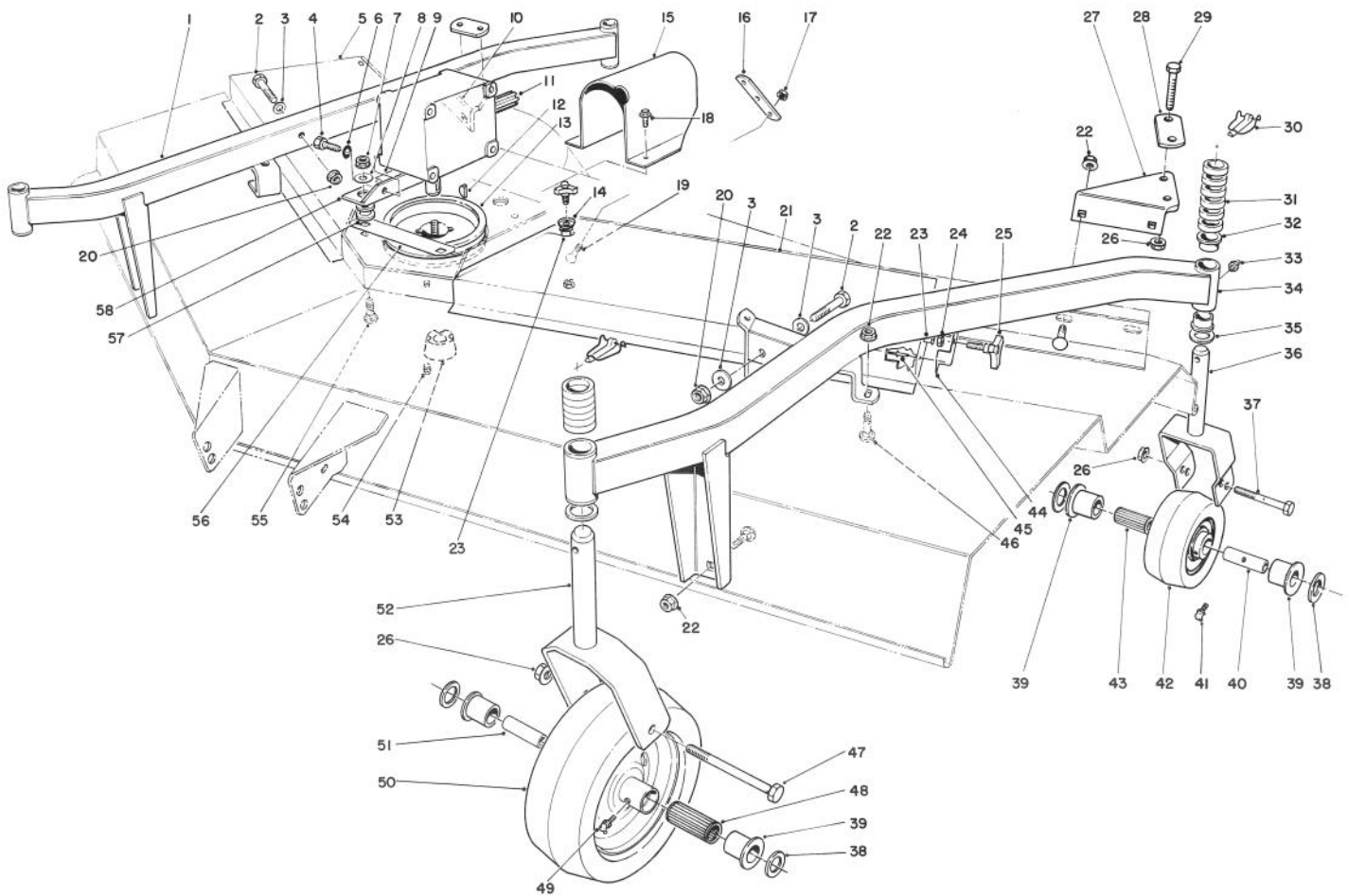
T-0441

## CUTTING UNIT MODEL NO. 30722

Ref. No.	Part No.	Description	No. Used
1	3234-11	Screw - Hex. Hd. Flange	4
2	26-1840	Idler Pulley	3
3	67-5360	Decal - Danger	2
4	26-1760	Pulley	2
5	68-6500	Cutter Deck	1
6	3231-29	Bolt - Carriage	2
7	26-1860	Spacer - Idler Pulley	2
8	32128-21	Nut - Flange	33
9	3231-27	Bolt - Carriage	6
10	26-1870	Idler Mount L.H.	1
11	3290-357	Nut - Flange	6
12	26-1850	Stud - Idler	1
13	3234-1	Screw - Hex. Hd. Flange	24
14	21-0890	V-Belt	3
15	3296-49	Nut	3
16	3-8514	Washer	3
17	26-9100	Pulley L.H.	1
18	253-138	Seal - Oil	9
19	49-8320	Bearing & Spacer Assy. (Matched Set)	3
20	66-1340	Decal - Danger	2
21	51-1530	Hinge Bracket	2
22	32128-23	Nut - Lock, Flange	2
23	68-7280	Decal - Blade Bolt Torque	1
24	66-6380	Decal - Deflector Missing	1

Ref. No.	Part No.	Description	No. Used
25	43-8480	Decal - Danger	2
26	51-1470	Deflector	1
27	51-1550	Spring	2
28	302-52	Fitting - Grease	3
29	26-1820	Screw - Cap, Hex. Hd.	3
30	26-1990	Washer - Belleville	3
31	29-5530	Blade	3
32	26-1690	Spindle -Outer	2
33	3256-24	Washer	A/R
34	60-9700	Spindle Housing	3
35	325-17	Screw - Cap, Hex. Hd.	2
36	26-1880	Spacer - Idler Mount	1
37	323-12	Screw - Cap, Hex. Hd.	1
38	3253-21	Washer - Lock	1
39	32128-25	Nut - Lock, Flange	2
40	36-1740	Roller - Deck	2
41	68-6840	Shaft - Roller	1
42	68-6710	Roller - Deck	1
43	62-4480	Rod - Roller	2
44	57-0280	Decal - 72"	1
45	322-4	Screw - Cap. Hex Hd.	2
46	26-1790	Spacer R.H. Spindle	1
47	26-1680	Spindle Ctr.	1
*	23-2410	Blade - High Sail (Opt.)	3

\*Not Illustrated



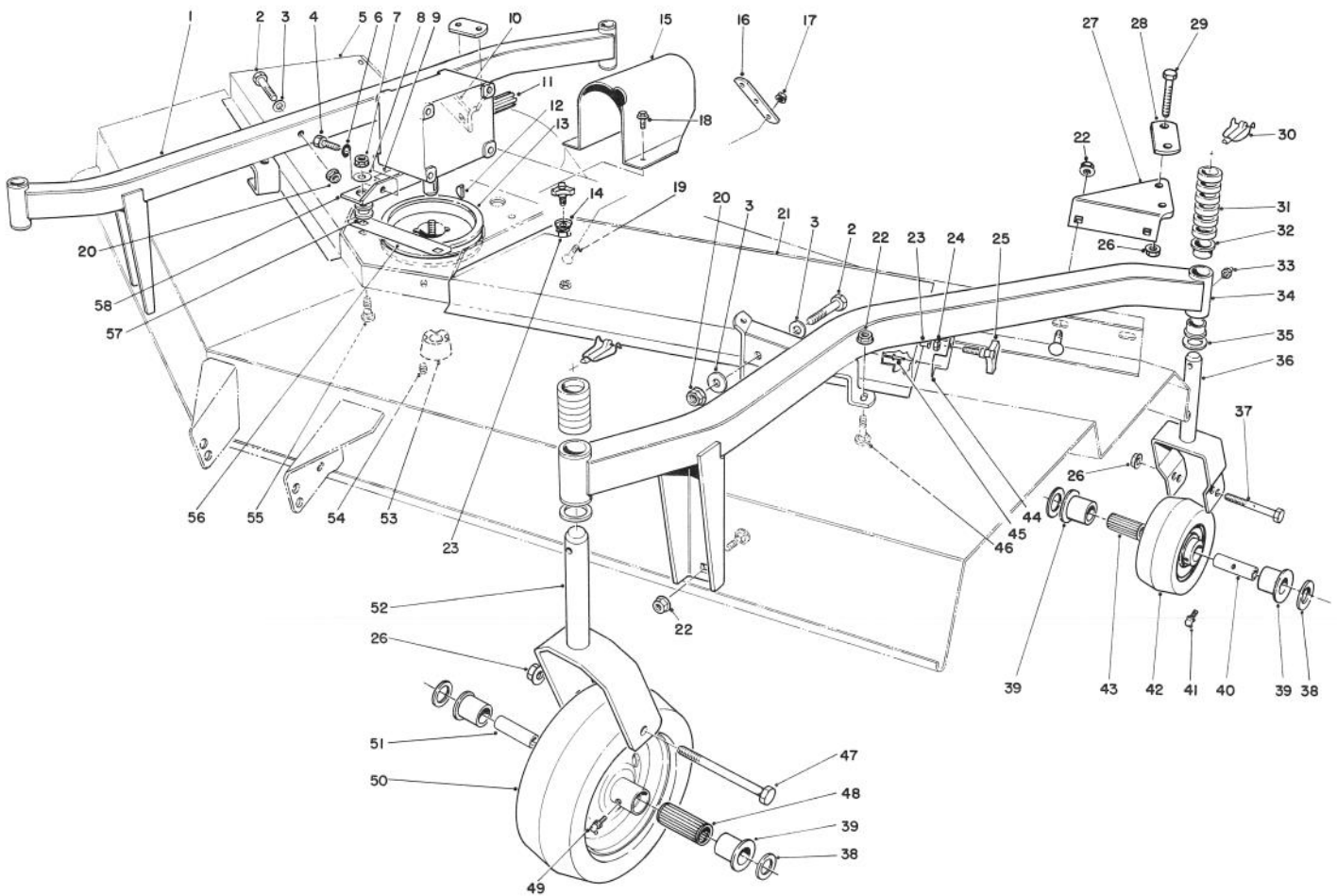
T-0442

## CUTTING UNIT MODEL NO. 30722 (Continued)

Ref. No.	Part No.	Description	No. Used
1	26-1490	Caster Arm R.H. (Inc. Ref. #32)	1
2	324-12	Screw - Cap, Hex Hd.	4
3	66-6480	Washer - Flat	4
4	323-4	Screw - Cap, Hex Hd.	4
5	68-6660	Cover - Deck R.H.	1
6	3253-21	Washer - Lock	4
7	32128-21	Nut - Flange	4
8	63-8410	Washer	4
9	70-2560	Decal - Lube	1
10	39-3340	Bracket - Clamp	1
11	68-6810	Gear Case Assembly	1
12	3257-5	Key - Woodruff	1
13	26-1400	Pulley - Deck	1
14	66-6310	Washer - Cup	2
15	63-1970	Shroud - Universal	1
16	21-3770	Strap - Lift	1
17	3290-357	Nut - Flange	4
18	32104-82	Screw - Cap, Self-Tapping	2
19	3231-27	Bolt - Carriage	2
20	32128-42	Nut - Flange	4
21	68-6690	Cover - Deck L.H.	1
22	32128-49	Nut - Flange	12
†23	3290-469	Nut - Grip	4
24	3296-59	Nut - Lock	4
25	27-4570	Knob	4

Ref. No.	Part No.	Description	No. Used
26	32128-23	Nut - Lock, Flange	8
27	39-7450	Bracket - Clamp	1
28	39-3330	Bar - Caster Clamp	2
29	325-14	Screw - Cap, Hex Hd.	4
30	3290-384	Pin - Lynch	4
31	63-0070	Spacer - 1/2	24
32	28-9290	Bushing - Special	8
33	302-5	Fitting - Grease	4
34	26-1430	Caster Arm (Incl. Ref. #32)	1
35	3-6781	Washer	4
36	75-9680	Fork - Caster, Rear	2
37	325-18	Screw - Cap, Hex Hd.	2
38	3256-6	Washer - Flat	8
39	62-5580	Bushing	8
40	63-1770	Spanner - Rear	2
41	302-11	Fitting - Grease	2
42	63-8400	Wheel - Caster Rear (Incl. Ref. #39, 41 & 43)	2
43	63-8580	Bearing - Roller	2
44	66-1260	Bracket - Knob	2
45	3269-5	Rivet - Pop	4
46	3233-2	Bolt - Carriage	12
47	325-22	Screw - Cap, Hex Hd.	2
48	62-5570	Bearing - Roller	2
49	302-40	Fitting - Grease	2

†Special tool required to install.



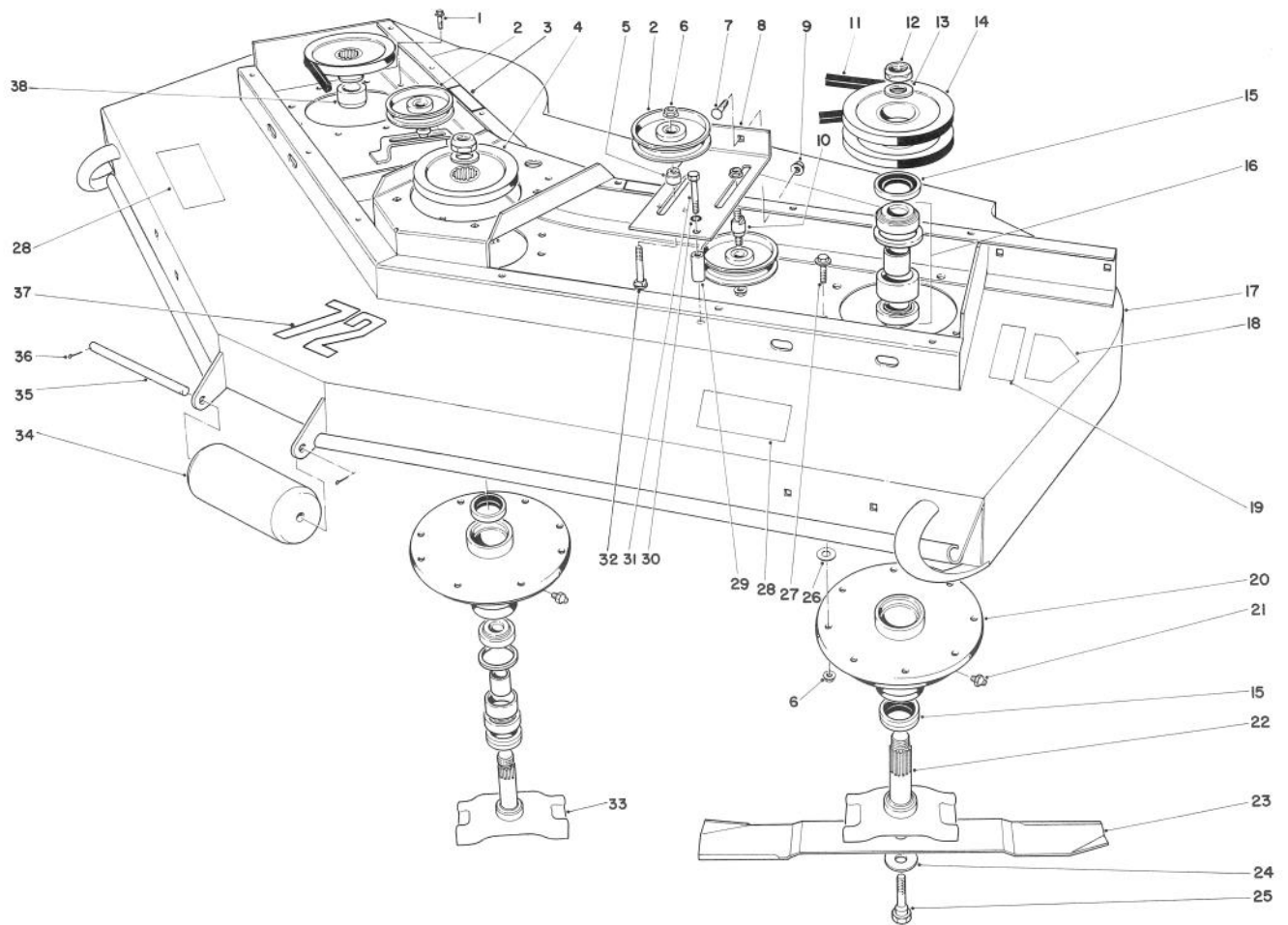
T-0442

## CUTTING UNIT MODEL NO. 30722 (Continued)

Ref. No.	Part No.	Description	No. Used
50	62-4330	Wheel - Caster - Front (Inc. Ref. #39, 48 & 49)	2
51	62-4340	Spanner - Front	2
52	26-1530	Fork - Caster, Front	2
53	23-1640	Bushing - TaperLock (Incl. Ref. #54)	1
54	3247-4	Screw - Set	2

Ref. No.	Part No.	Description	No. Used
55	3231-26	Bolt - Carriage	4
56	68-9890	Cover - Gear Box, Front	1
57	63-9750	Mount - Isolation	4
58	68-8560	Bracket - Gear Box	2
*	54-8810	Pneumatic Tire & Wheel (Optional)	2

\*Not Illustrated



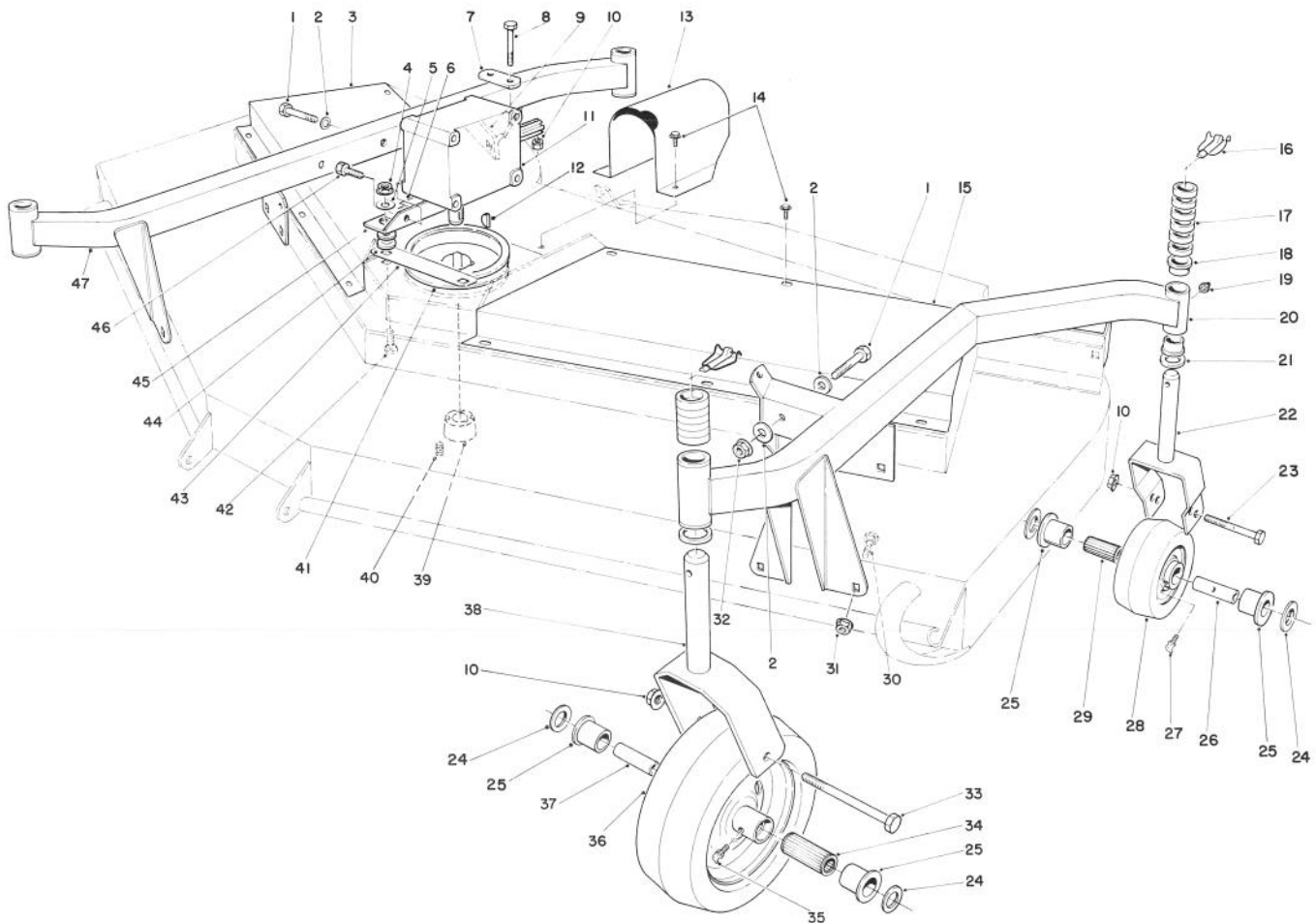
T-0443

## CUTTING UNIT MODEL NO. 30710

Ref. No.	Part No.	Description	No. Used
1	3234-11	Screw - Hex. Hd. Flange	4
2	26-1840	Idler Pulley	3
3	67-5360	Decal - Shield Missing	2
4	26-1760	Pulley	2
5	26-1860	Spacer - Idler Pulley	2
6	32128-21	Nut - Flange	28
7	3231-22	Bolt - Carriage	2
8	26-1870	Idler Mount L.H.	1
9	3290-357	Nut - Flange	2
10	26-1850	Stud - Idler	1
11	21-0890	V-Belt	3
12	3296-49	Nut - Lock	3
13	3-8514	Washer	3
14	26-9100	Pulley L.H.	1
15	253-138	Oil Seal	9
16	49-8320	Bearing & Spacer Assy. (Matched Set)	3
17	38-9200	Cutter Deck	1
18	43-8480	Decal - Danger	2
19	68-7280	Decal - Blade Bolt Torque	1
20	60-9700	Spindle Housing	3

Ref. No.	Part No.	Description	No. Used
21	302-52	Fitting - Grease	3
22	26-1690	Spindle - Outer	2
23	29-5530	Blade	3
24	26-1990	Washer - Belleville	3
25	26-1820	Screw - Cap, Hex. Hd.	3
26	3256-24	Washer - Flat	A/R
27	3234-1	Screw - Hex. Hd. Flange	20
28	66-1340	Decal - Danger	2
29	26-1880	Spacer - Idler Mount	1
30	3253-21	Washer - Lock	1
31	323-12	Screw - Cap, Hex. Hd.	1
32	3231-29	Bolt - Carriage	2
33	26-1680	Spindle Center	1
34	31-0750	Roller	1
35	32-9610	Roller Shaft	1
36	3272-11	Pin - Cotter	2
37	57-0280	Decal - 72"	1
38	26-1790	Spacer - R.H. Spindle	1
*	23-2410	Blade - High Lift (Optional)	3

\*Not Illustrated



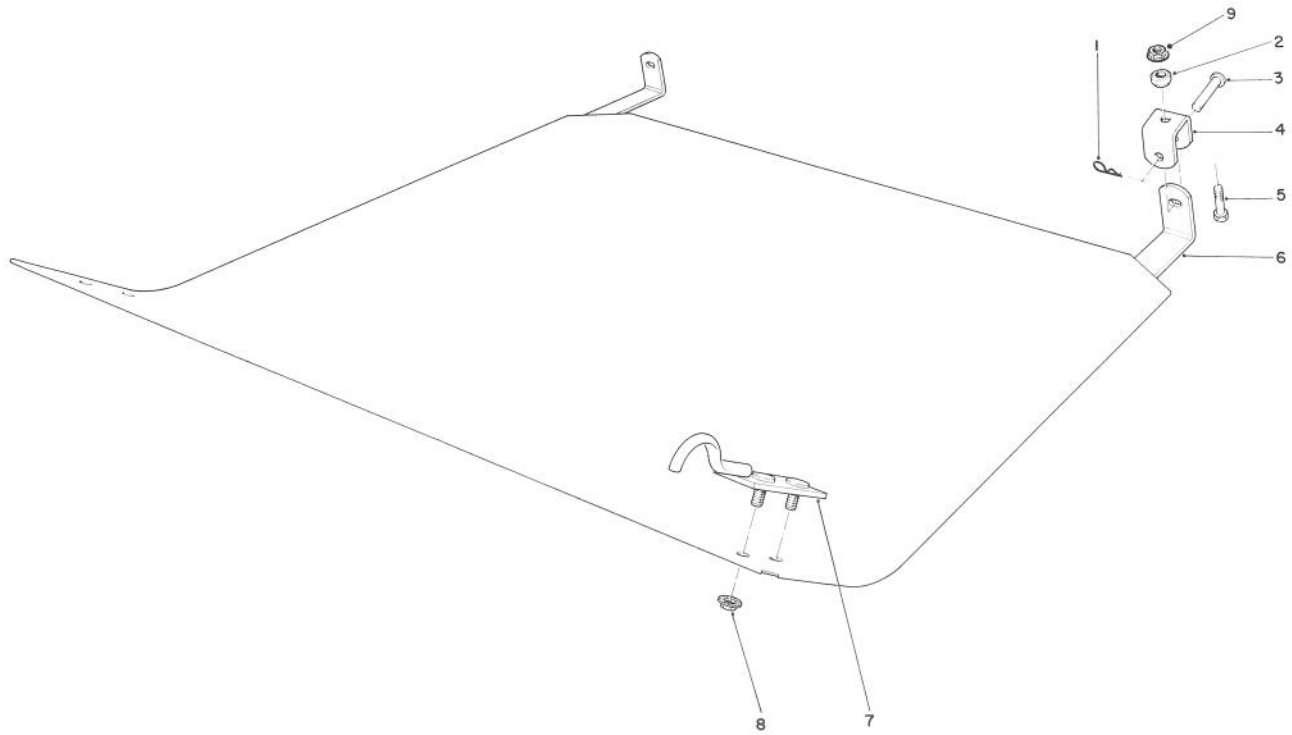
T-0444

## CUTTING UNIT MODEL NO. 30710 (Continued)

Ref. No.	Part No.	Description	No. Used
1	324-12	Screw - Cap, Hex. Hd.	4
2	66-6480	Washer - Flat	4
3	26-1890	Cover R.H. - Deck	1
4	32128-21	Nut - Lock ,Flange	4
5	63-8410	Washer	4
6	70-2560	Decal - Lube	1
7	39-3330	Bar - Clamp Castor Arm	1
8	325-14	Screw - Cap, Hex. Hd.	2
9	39-3340	Bracket - Clamp	1
10	32128-23	Nut - Lock, Flange	6
11	68-6810	Gear Box Assembly	1
12	3257-5	Key - Woodruff	1
13	63-1970	Shroud - Universal	1
14	32104-82	Screw - Cap, Self Tapping	14
15	26-1900	Cover L.H. - Deck	1
16	3290-384	Pin - Lynch - Safety Type	4
17	63-0070	Spacer 1/2"	24
18	28-9290	Bushing - Special	8
19	302-5	Fitting - Grease	4
20	38-9420	Arm - Castor L.H. (Incl. Ref. #18)	1
21	3-6781	Washer	4
22	75-9680	Fork - Castor, Rear	2
23	325-18	Screw - Cap, Hex Hd.	2
24	3256-6	Washer - Flat	8
25	62-5580	Bushing	8
26	63-1770	Spanner - Rear	2

Ref. No.	Part No.	Description	No. Used
27	302-11	Fitting - Grease	4
28	63-8400	Wheel - Castor - Rear (Inc. Ref. #25, 27 & 29)	2
29	63-8580	Bearing - Roller	2
30	3233-2	Bolt - Carriage	12
31	32128-49	Nut - Flange	12
32	32128-42	Nut - Flange	4
33	325-22	Screw - Cap ,Hex Hd.	2
34	62-5570	Bearing - Roller	2
35	302-40	Fitting - Grease	2
36	62-4330	Wheel - Castor - Front (Inc. Ref. #25, 35 & 36)	2
37	62-4340	Spanner - Front	2
38	26-1530	Fork - Castor	2
39	23-1640	Bushing - Taper	1
40	3247-4	Screw - Set	2
41	26-1400	Pulley - Deck	1
42	3231-26	Bolt - Carriage	4
43	68-9890	Cover - Gear Box - Front	1
44	63-9750	Mount - Isolation	4
45	68-8560	Bracket - Gearbox	2
46	323-4	Screw - Cap ,Hex Hd.	4
47	38-9370	Arm - Castor - R.H. (Incl. Ref. #18)	1
*	54-8810	Pneumatic Tire & Wheel Assy. (Optional)	1

\*Not Illustrated



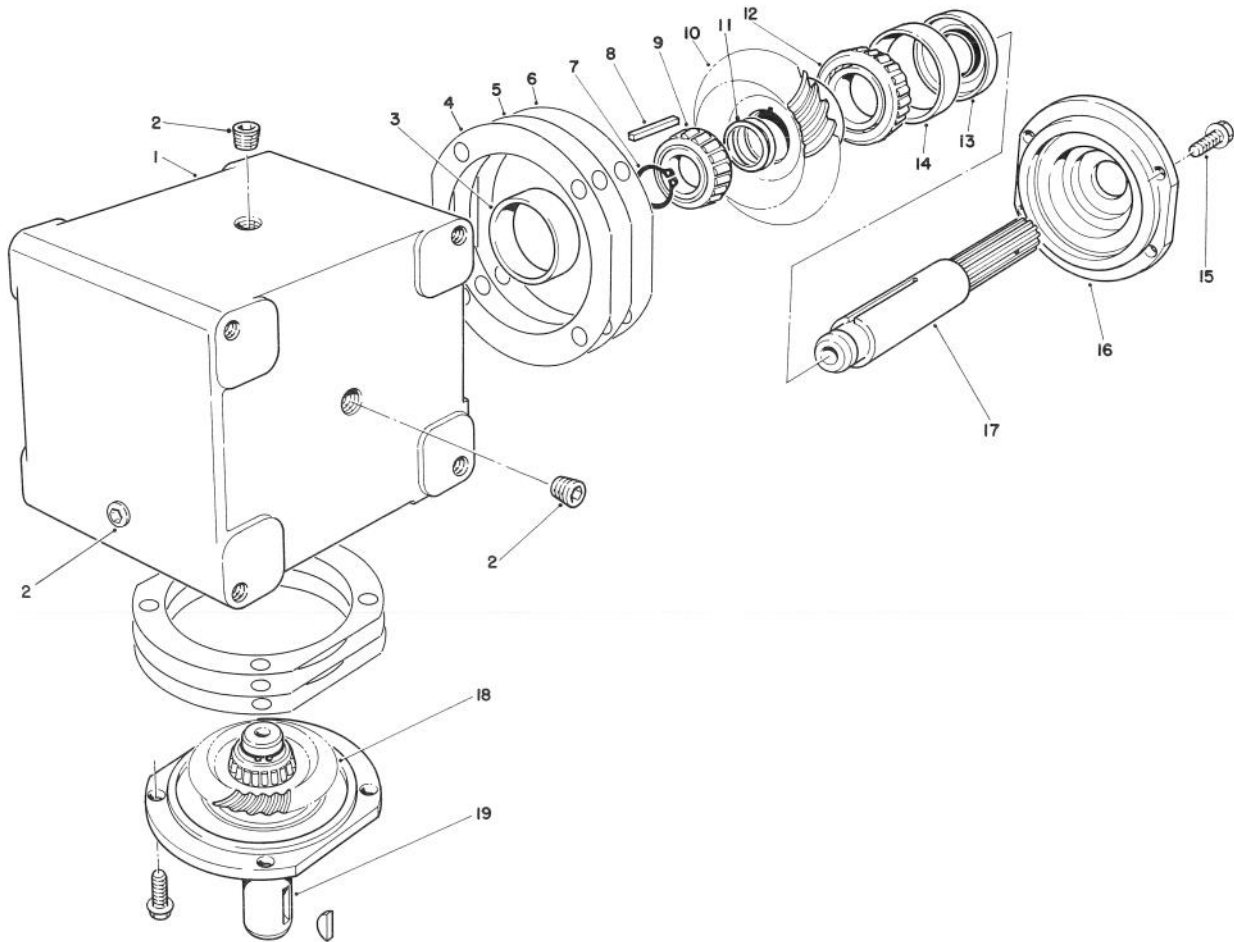
T-0445

## CUTTING UNIT MODEL NO. 30710 (Continued)

Ref. No.	Part No.	Description	No. Used
1	3290-322	Pin - Cotter, Hair	2
†2	46-1600	Spacer	2
3	283-23	Pin - Clevis	2
4	39-1470	Hanger - Belly Shield	2
5	323-7	Screw - Cap, Hex. Hd.	2

Ref. No.	Part No.	Description	No. Used
6	39-1410	Shield - Belly	1
7	39-1440	Hook - Shield, Belly	2
8	32128-20	Nut - Flange	4
†9	32128-21	Nut - Flange	2

†Use with diesel unit ONLY

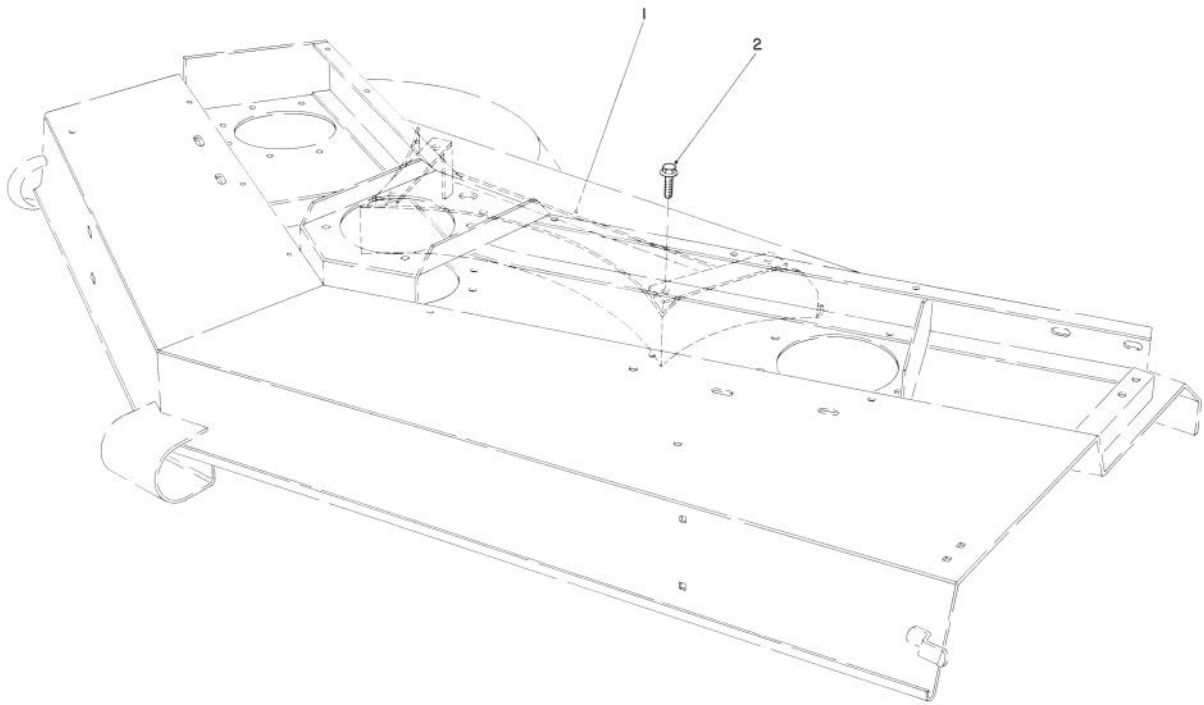


T-0977

## GEAR BOX ASSEMBLY NO. 68-6810

Ref. No.	Part No.	Description	No. Used
1	68-7030	Housing	1
2	62-3490	Plug - Pipe (Solid)	4
3	62-3360	Cup - Bearing	2
4	62-3420	Gasket (.015 in.)	A/R
5	62-3430	Gasket (.005 in.)	A/R
6	62-3440	Gasket (.003 in.)	A/R
7	68-7070	Ring - Retaining	2
8	62-3380	Key	2
9	62-3370	Cone - Bearing	2
10	68-7080	Gear	1

Ref. No.	Part No.	Description	No. Used
11	72-9370	Shim (.020 in.)	4
12	62-3330	Cone - Gear	1
13	62-3400	Seal	2
14	62-3340	Cup - Bearing	2
15	62-3310	Screw - Cap, Sems	8
16	62-3410	Cap	2
17	68-7040	Shaft	1
18	68-7060	Gear	1
19	68-7050	Shaft	1

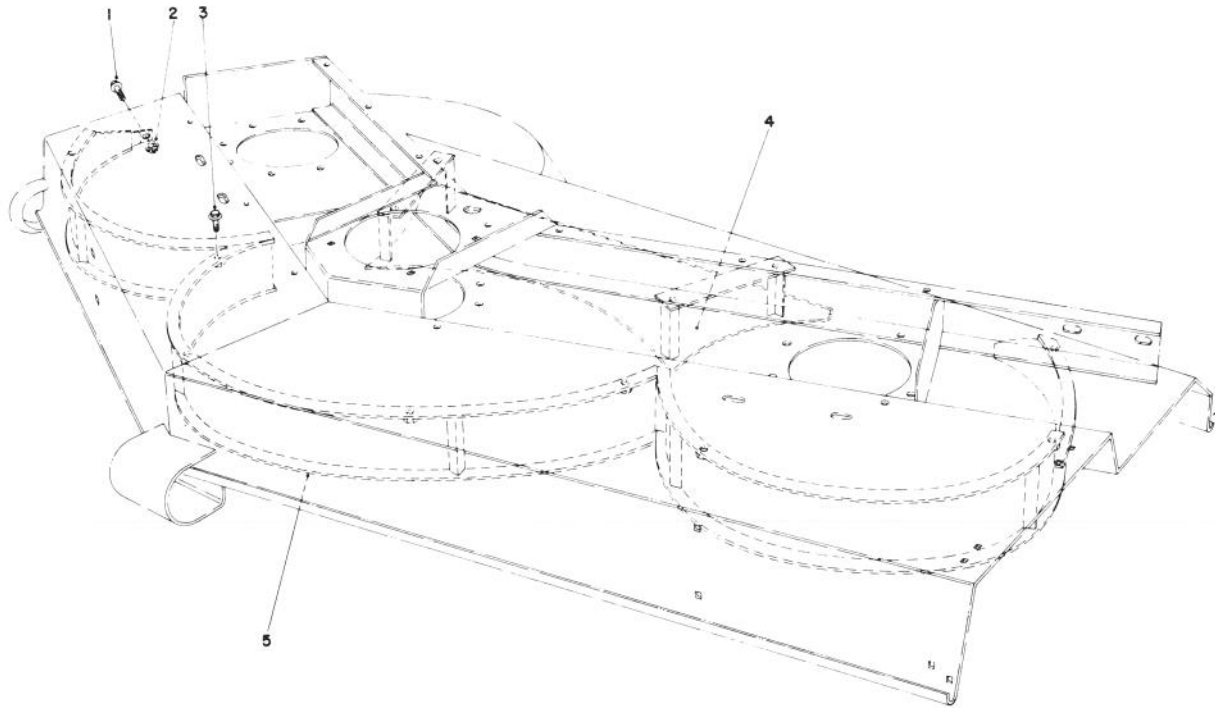


T-0446

**REAR BAFFLE KIT NO. 51-1460 (Optional)  
(For Cutting Unit Model No. 30721)**

Ref. No.	Part No.	Description	No. Used
1		Rear Baffle	1

Ref. No.	Part No.	Description	No. Used
2	3234-1	Screw - Hex. Hd. Flange	4



T-0447

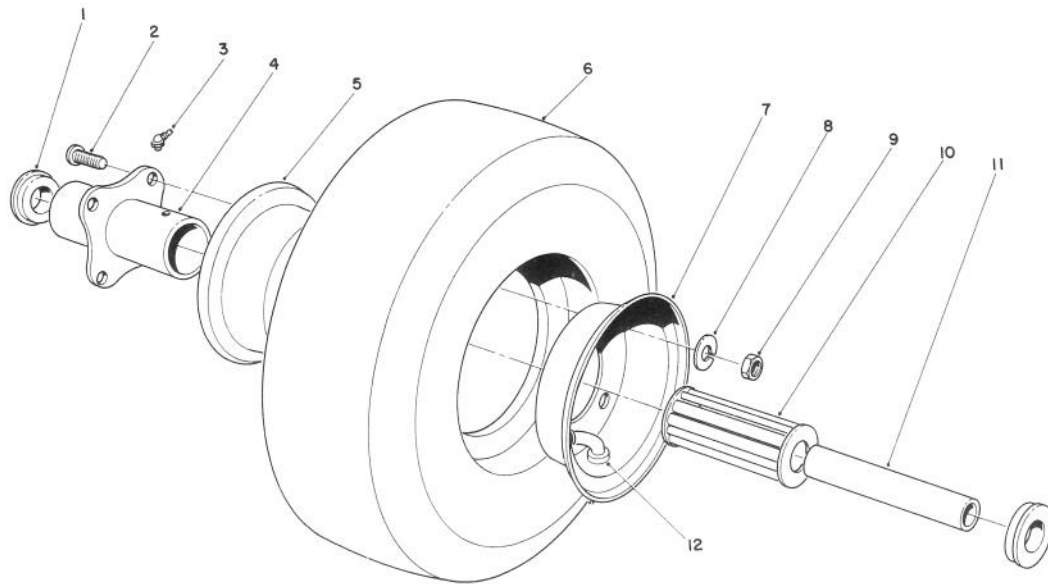
**MULCHER KIT MODEL NO. 30732 (Optional)**  
**(For Cutting Unit Model No. 30721)**  
**MULCHER KIT MODEL NO. 30733 (Optional)**  
**(For Cutting Unit Model No. 30722)**

Ref. No.	Part No.	Description	No. Used
1	3234-11	Screw - Hex. Hd. Flange	1
2	32128-21	Nut - Flange	13
3	3234-1	Screw - Hex. Hd. Flange	12

Ref. No.	Part No.	Description	No. Used
4	23-4190	Bottom Rear Shield (Model 30732 only)	1
*	68-6740	Bottom Rear Shield (Model 30733 only)	
5	27-5430	Mulcher Screen	1

\*Not Illustrated

Note: Will not fit with Cutting Unit Model No. 30710.

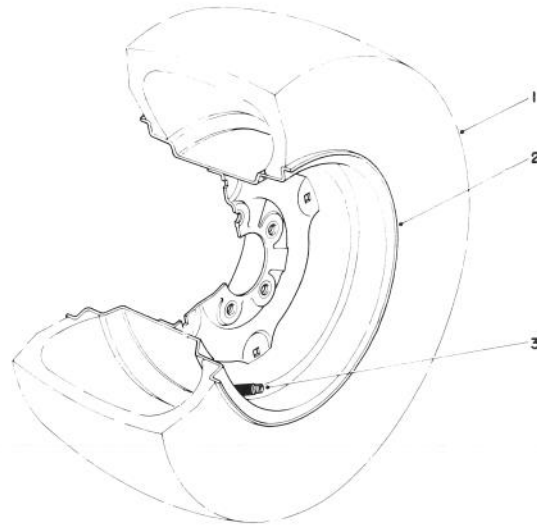


T-0448

## CUTTING UNIT PNEUMATIC TIRE & WHEEL ASSEMBLY NO. 12-1509 (Optional)

Ref. No.	Part No.	Description	No. Used
1	54-8930	Retainer	2
2	54-8890	Bolt - Wheel	4
3	302-10	Fitting - Grease	1
4	54-8920	Hub - Centered	1
5	54-8910	Wheel Half - Female	1
6	54-8960	Tire	1
7	54-8900	Wheel Half - Male	1

Ref. No.	Part No.	Description	No. Used
8	3253-4	Washer - Lock	4
9	3217-6	Nut - Hex.	4
10	54-8940	Bearing - Roller (Open Cage)	1
11	55-7080	Bushing - Spanner	1
12	54-8950	Tube w/Valve	1



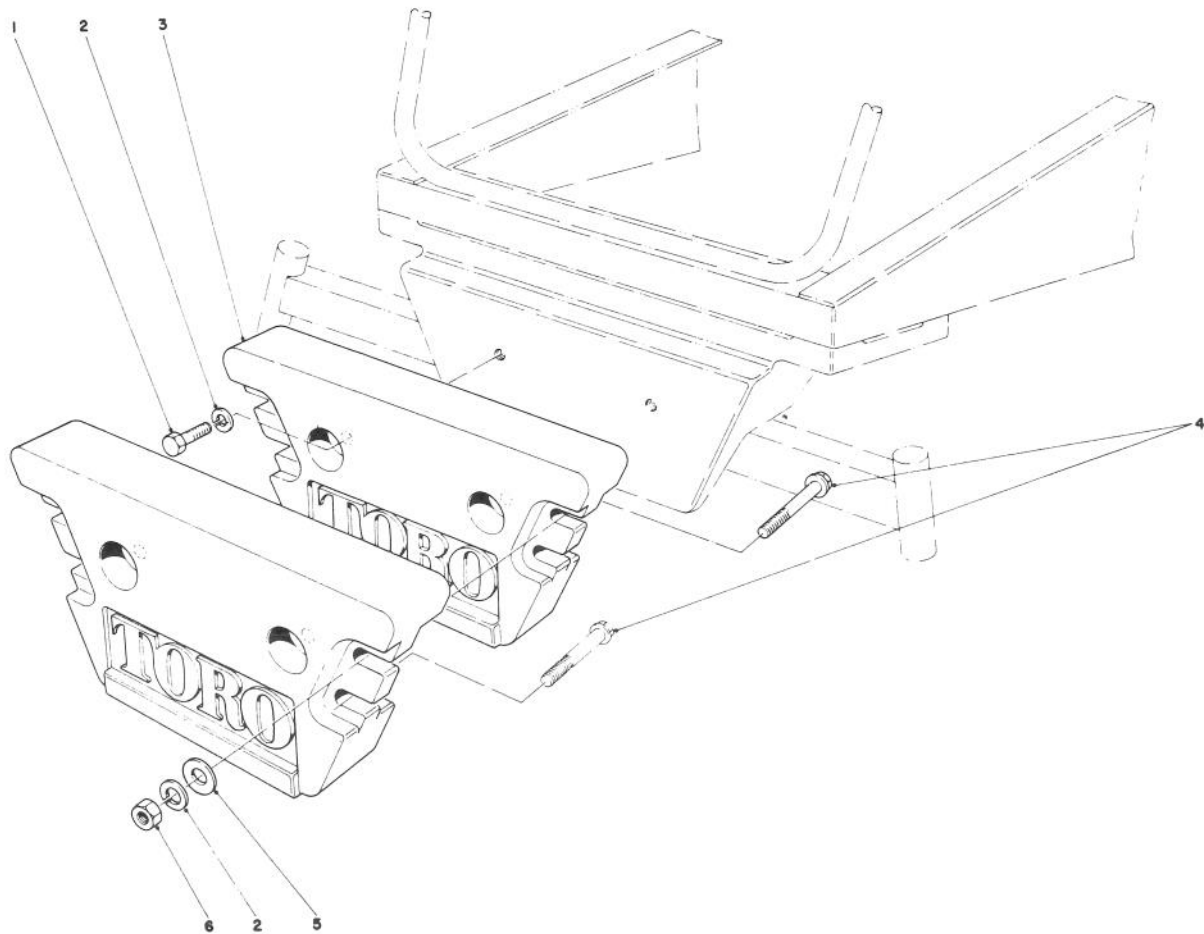
T-0449

## 23 x 10.5 x 12 TIRE & WHEEL ASSEMBLY NO. 62-7020 (Optional)

Ref. No.	Part No.	Description	No. Used
1	231-95	Tire	1
2	217-116	Rim	1

Ref. No.	Part No.	Description	No. Used
3	232-27	Valve Stem	1

Note: Will not fit with Cutting Unit Model No. 30710.

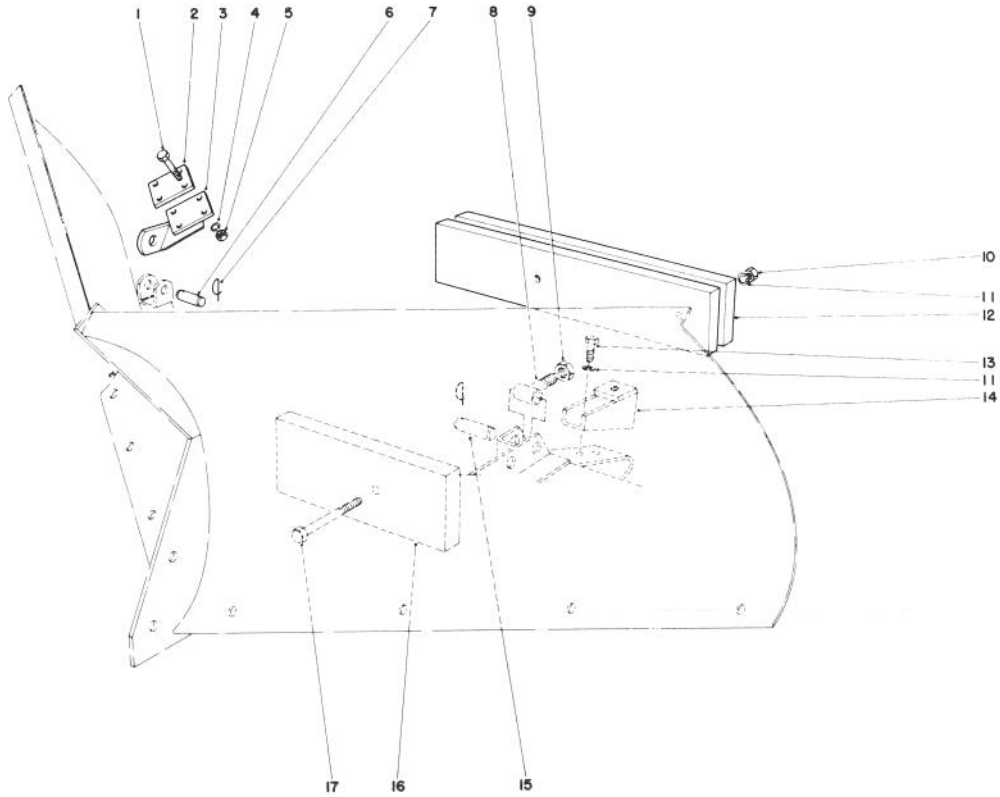


T-0427

## REAR WEIGHT KIT NO. 24-5780 (Optional)

Ref. No.	Part No.	Description	No. Used
1	325-6	Screw - Cap, Hex. Hd.	2
2	3253-7	Washer - Lock	6
3	24-5790	Rear Weight	2

Ref. No.	Part No.	Description	No. Used
4	325-14	Screw - Cap, Hex. Hd.	4
5	3256-26	Washer - Flat	8
6	3217-9	Nut - Hex.	4



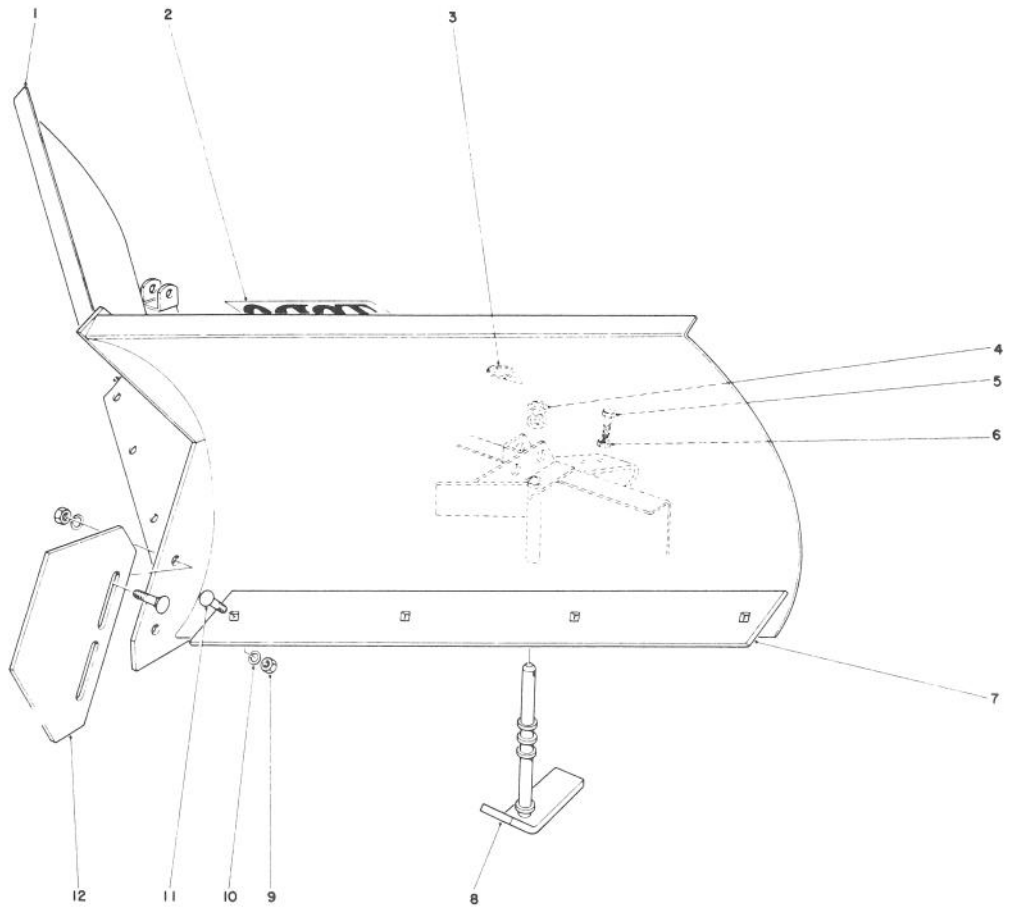
T-0451

## V-PLOW INSTALLATION KIT MODEL NO. 30757 (Optional)

Ref. No.	Part No.	Description	No. Used
1	323-14	Screw - Cap, Hex. Hd.	4
2	24-2690	Plate - Clamp	1
3	24-2680	Push Arm Bracket	1
4	3253-21	Washer - Lock	4
5	3217-7	Nut - Hex.	4
6	5-3505	Pin	1
7	5-3126	Pin - Spring	4
8	23-9930	Push Pin	1
9	21-3000	Nut - Jam	1
10	3217-9	Nut - Hex.	2

Ref. No.	Part No.	Description	No. Used
11	3253-7	Washer - Lock	4
12	24-2660	Outside Weight	2
13	325-4	Screw - Cap, Hex. Hd.	2
14	24-2630	Stop	1
15	25-1350	Pin	1
16	24-2670	Inside Weight	2
17	325-22	Screw - Cap, Hex. Hd.	2
*	11-0390	Chains - Tire (1 Pair)	1

\*Not Illustrated

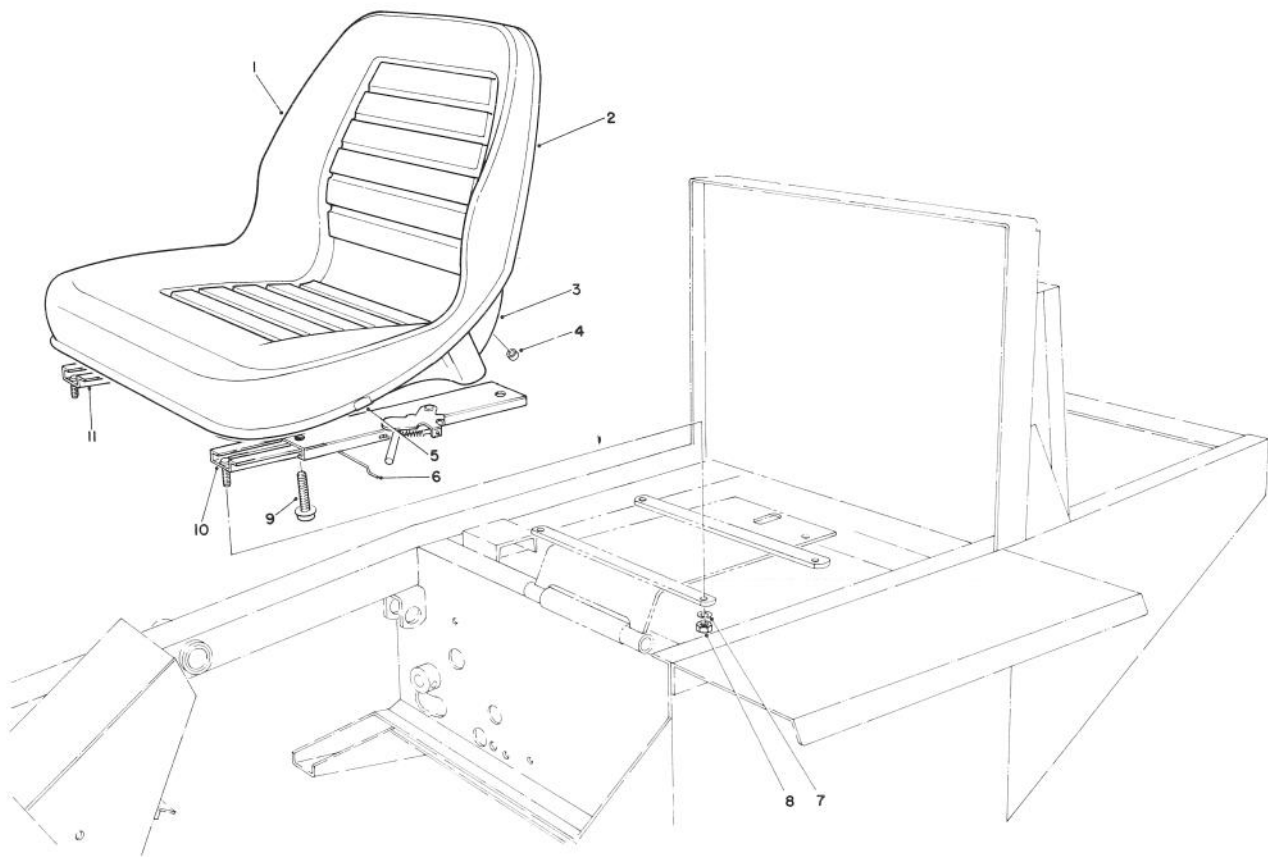


T-0452

### V-PLOW MODEL NO. 30750 (Optional)

Ref. No.	Part No.	Description	No. Used
1	23-9960	V-Plow	1
2	66-6140	Decal	1
3	3290-243	Pin - Lynch	2
4	20-4370	Spacer Tubes	10
5	325-6	Screw - Cap, Hex. Hd.	1
6	3218-5	Nut - Jam	1

Ref. No.	Part No.	Description	No. Used
7	24-5570	Scraper Blade	2
8	24-5540	Skid	2
9	3217-9	Nut - Hex.	10
10	3253-7	Washer - Lock	10
11	3233-2	Bolt - Carriage	10
12	24-5530	Nose Skid	1



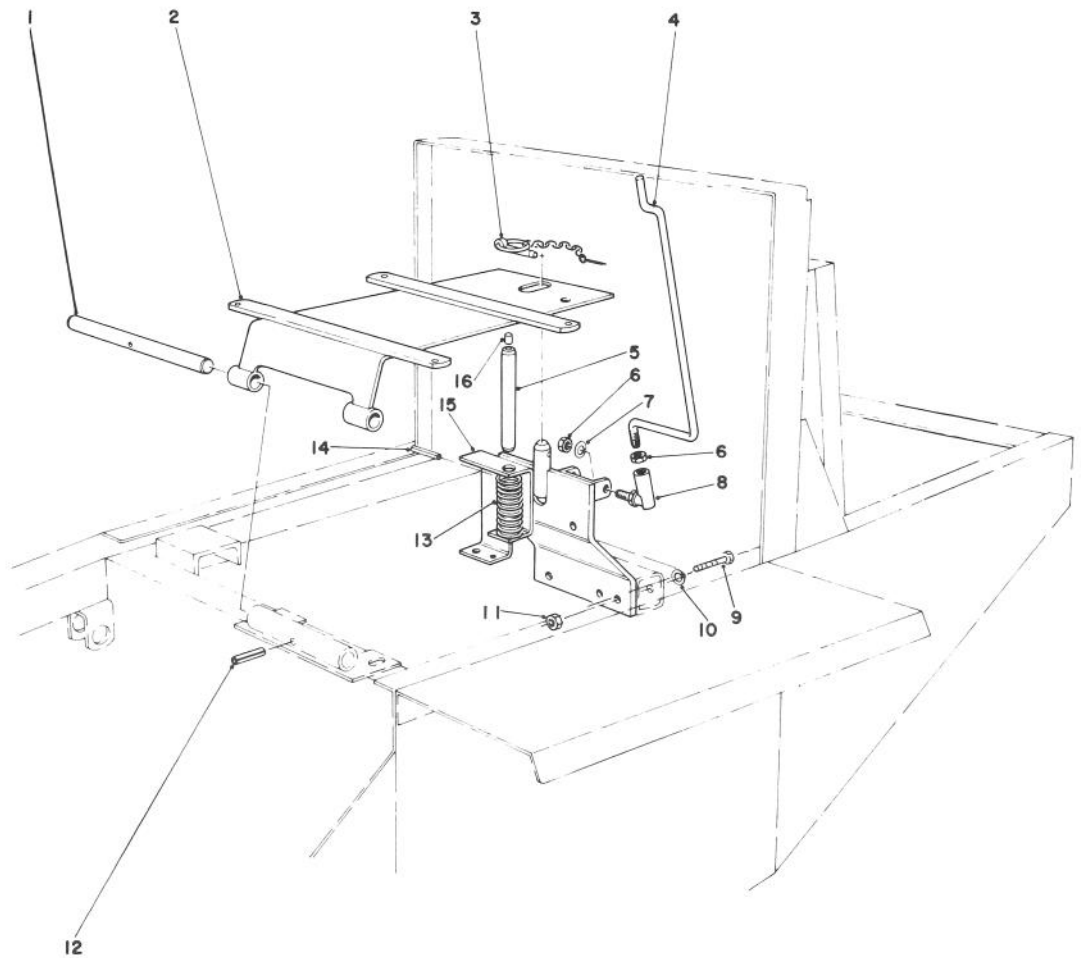
T-0450

## STANDARD SEAT KIT MODEL NO. 30770

Ref. No.	Part No.	Description	No. Used
1		Cushion	1
2		Trim	1
3		Base	1
4		Grommet	1
5		Clip	1
6	52-4890	Rod Connecting	1
7	3253-4	Washer - Lock	4

Ref. No.	Part No.	Description	No. Used
8	3217-6	Nut - Hex.	4
9	3234-5	Screw - Cap, Hex. Hd. Fl.	4
10	51-0790	Adjuster L.H.	1
11	52-4880	Adjuster - R.H.	1
*	66-5400	Seat Assembly (Incl. Ref. #1-5)	1

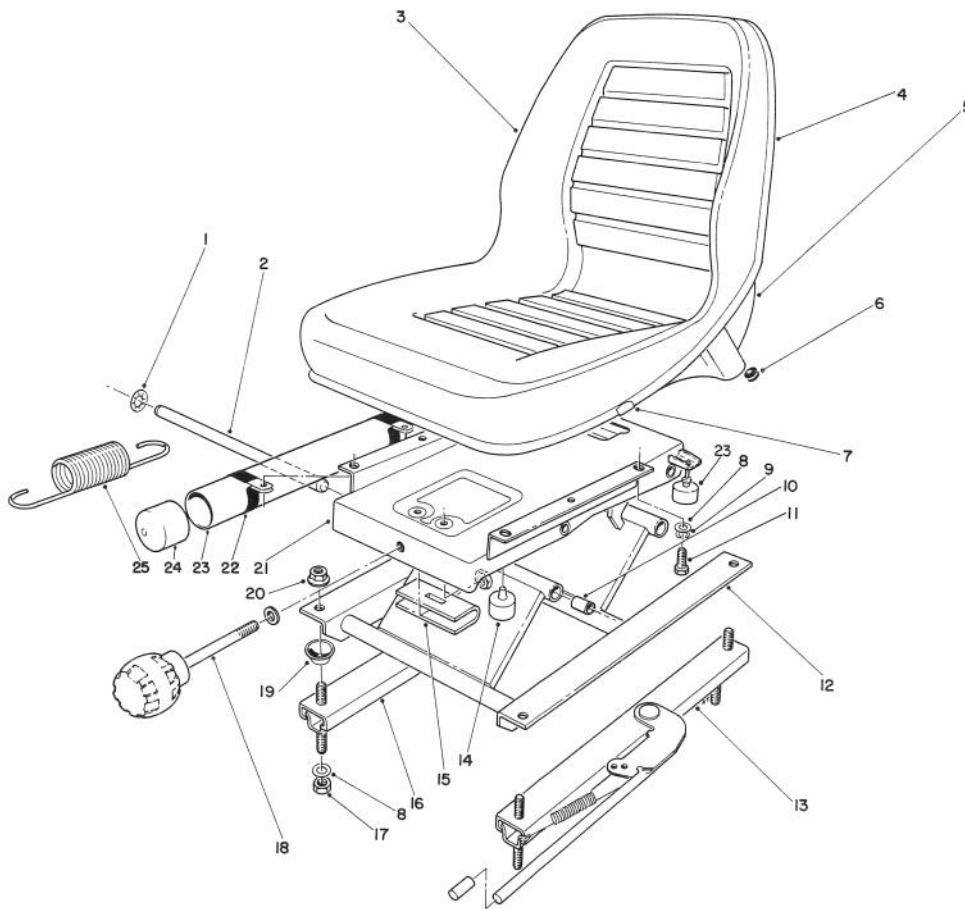
\*Not Illustrated



T-0453

## STANDARD SEAT KIT MODEL NO. 30770 (Continued)

Ref. No.	Part No.	Description	No. Used	Ref. No.	Part No.	Description	No. Used
1	27-4720	Shaft	1	9	323-14	Screw - Cap, Hex. Hd.	2
2	36-7550	Seat Support	1	10	5-0838	Washer - Flat	3
3	283-76	Lynch Pin	1	11	32128-21	Nut	2
4	37-9580	Seat Prop	1	12	32121-4	Spring Pin	1
5	27-9870	Pin - Seat Switch	1	13	28-0570	Spring -Compression	1
6	3220-2	Nut - Jam	2	14	32121-6	Spring Pin	1
7	3253-24	Washer - Lock	1	15	71-4490	Seat Support Bracket	1
8	37-9570	Ball Joint	1	16	28-6180	Pin - Plastic	1



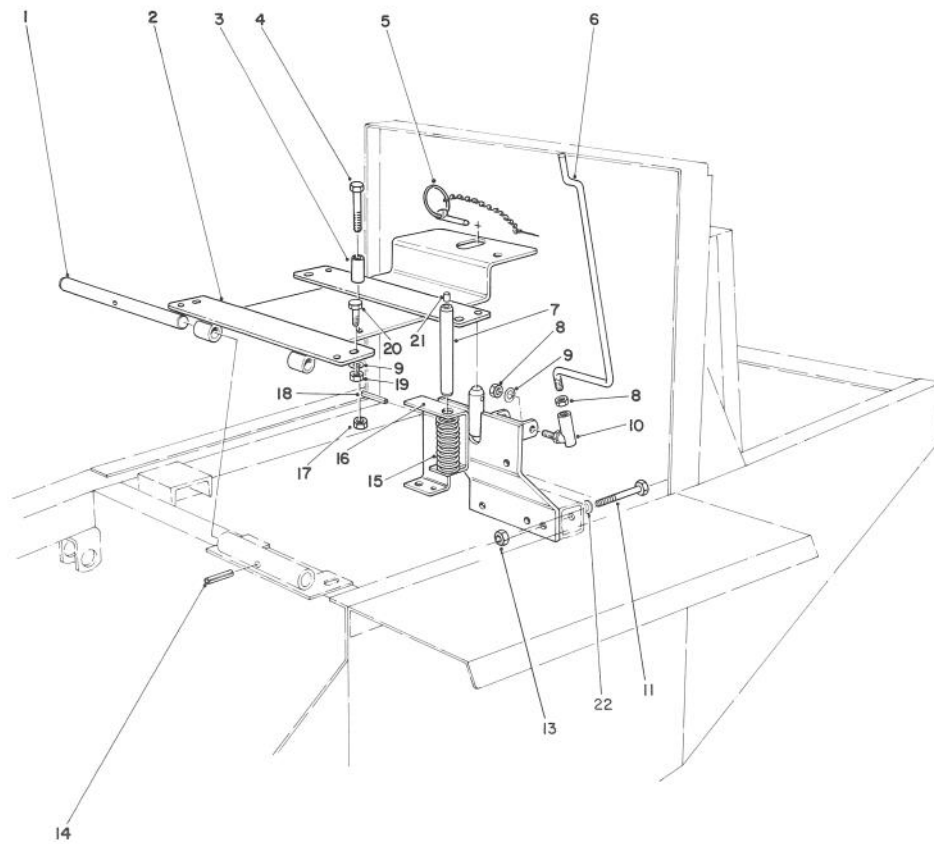
T-0454

## DELUXE SEAT KIT MODEL NO. 30772

Ref. No.	Part No.	Description	No. Used
1	66-8560	Nut - Push	4
2	76-1910	Shaft - Pivot	2
3		Cushion - Seat	1
4		Trim - Seat	1
5		Base - Seat	1
6		Grommet	1
7		Cup	1
8	3256-2	Washer - Flat	8
9	3253-4	Washer - Lock	4
10	76-1920	Bearing - Sleeve	4
11	322-3	Screw - Cap, Hex. Hd.	4
12	66-8610	Frame - Lower	1
13	66-8510	Adjuster w/Handle	1

Ref. No.	Part No.	Description	No. Used
14	66-8520	Bumper - Stop	2
15	66-8540	Hanger - Spring	1
16	66-8530	Adjuster	1
17	3296-29	Nut - Lock	4
18	76-1930	Knob - Adjustment	1
19	66-9290	Spacer - Suspension	4
20	32128-25	Nut - Lock, Flange Hd.	4
21	66-8600	Frame - Upper	1
22	76-1940	Spring - Extension	2
	66-5400	Seat Assembly (Incl. Ref. #3-7)	1
23	76-2940	Bumper	2

\*Not Illustrated

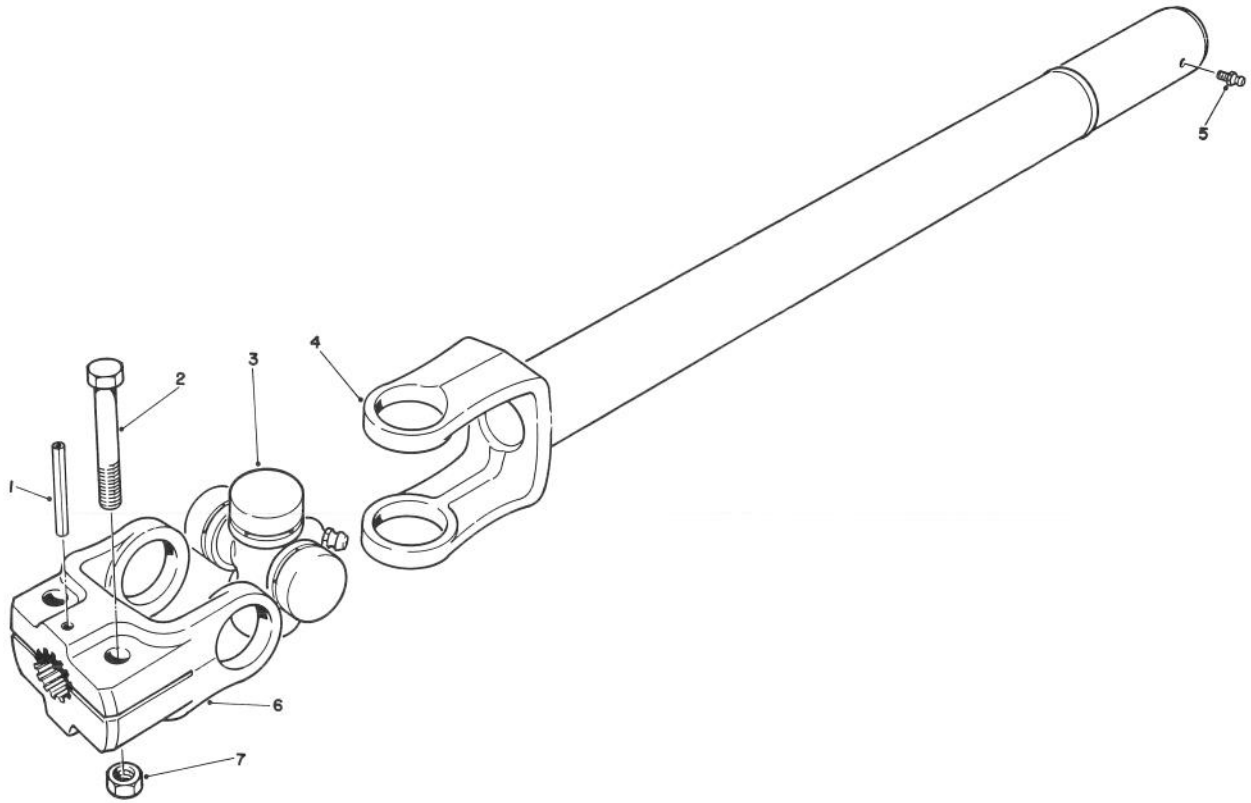


T-0212

## DELUXE SEAT ADAPTER KIT MODEL NO. 30791

Ref. No.	Part No.	Description	No. Used
1	27-4720	Shaft	1
2	67-9860	Support - Seat	1
3	67-9210	Spacer	1
4	322-10	Screw - Cap, Hex. Hd.	1
5	283-76	Pin - Lynch	1
6	37-9580	Prop - Seat	1
7	27-9870	Pin - Seat Switch	1
8	3220-2	Nut - Jam	2
9	3253-24	Washer - Lock	5
10	37-9570	Ball Joint	1
11	323-14	Screw - Cap, Hex. Hd.	2

Ref. No.	Part No.	Description	No. Used
13	32128-21	Nut	2
14	32121-4	Pin - Spring	1
15	37-9590	Spring - Compression	1
16	71-4490	Bracket - Seat Support	1
17	32146-5	Nut - Flange Hd.	1
18	32121-6	Pin - Spring	1
19	3217-6	Nut	4
20	322-4	Screw - Cap, Hex. Hd.	4
21	28-6180	Pin - Plastic	1
22	5-0838	Washer - Flat	3

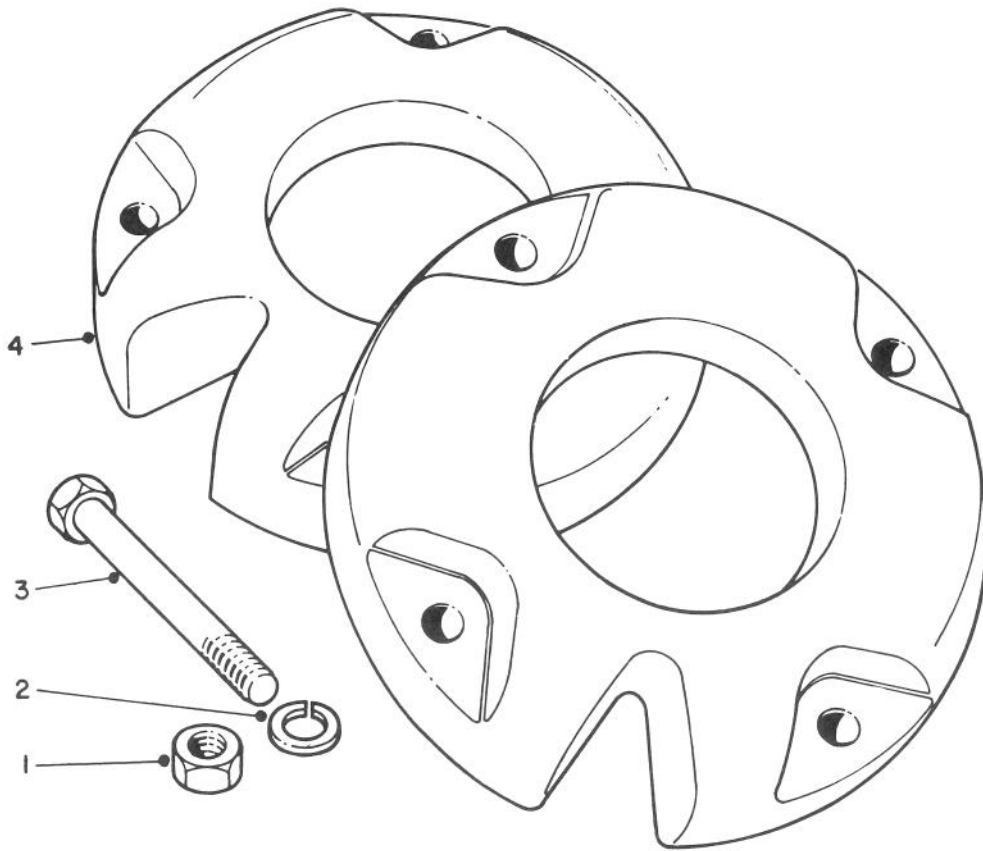


T-0928

## FULL TIME 4 WD DRIVE SHAFT ASSEMBLY KIT PART NO. 72-3740 (Optional)

Ref. No.	Part No.	Description	No. Used
1	32121-34	Pin - Roll	1
2	323-9	Screw - Cap, Hex. Hd.	2
3	54-9180	Kit - Joint, Universal	1
4	72-3460	Tube - Yoke, Half-Slip	1

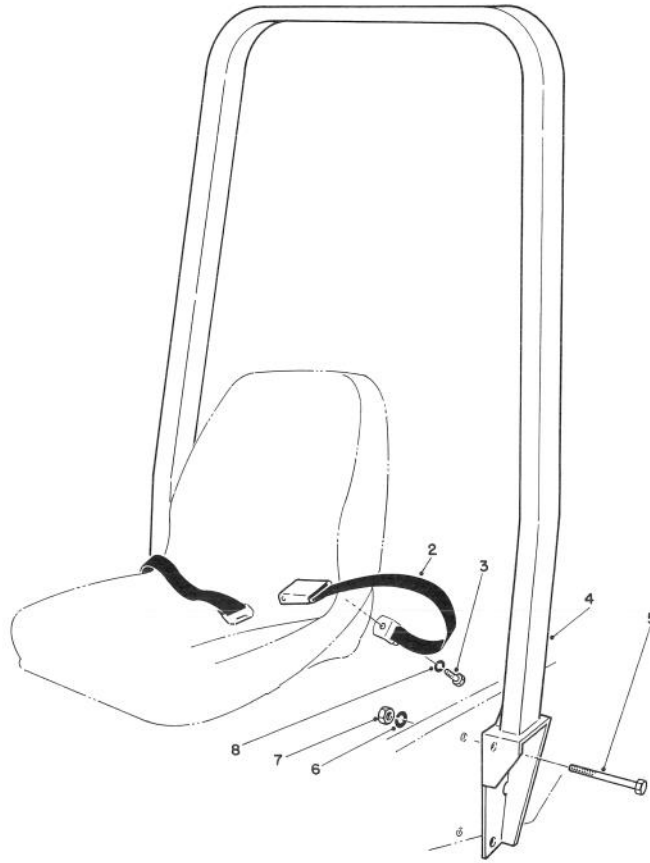
Ref. No.	Part No.	Description	No. Used
5	302-58	Fitting - Grease	1
6	72-3450	Yoke - Flange, Split	1
7	32153-2	Nut - Lock	2



T-0457

### WHEEL WEIGHTS NO. 11-0440 (Optional)

Ref. No.	Part No.	Description	No. Used	Ref. No.	Part No.	Description	No. Used
1	3218-5	Nut	8	3	325-14	Screw - Cap, Hex. Hd.	8
2	3253-7	Washer - Lock	8	4	7-2111	Weight - Wheel	2



T-0927

## ROLL OVER PROTECTION KIT

Ref. No.	Part No.	Description	No. Used	Ref. No.	Part No.	Description	No. Used
2†	3-10287	Seat Belt Assembly	1	6	3253-9	Washer - Lock	4
3	3212-4	Screw - Cap, Hex. Hd.	2	7	3217-12	Nut - Hex	4
4	4-11797*	Roll Bar Assembly	1	8	3253-6	Washer - Lock	2
5	328-5	Screw - Cap, Hex. Hd.	4				

\*Obtain from Custom Products, Litchfield, MN 55355.

†Do not use without installing ROPS Rollover Protection Kit.







## PRODUCT CHANGES

In an effort to make improvements available to TORO owners as quickly as possible – minor changes are incorporated into Toro's products from time to time that do not become immediately shown in the Parts Catalog. If such a change has been made in your unit – which is not reflected in your manual – see your TORO Distributor or his Authorized TORO Service Dealer for information and part numbers.

## IDENTIFICATION AND ORDERING

### MODEL AND SERIAL NUMBERS

The Groundsmaster 322D 4 Wheel Drive has two identification numbers; a model number and a serial number. The two numbers are stamped on a plate which is located on the main frame under the seat. In any correspondence concerning the Groundsmaster 322D 4 Wheel Drive – supply model and serial numbers to assure that correct information and replacement parts are obtained.

To order replacement parts from an Authorized TORO Service Dealer – supply the following information:

1. Model and serial number of the Groundsmaster 322D 4 Wheel Drive.
2. Part number – description – and the quantity of part(s) desired.

**NOTE:** Do not order by reference number if a parts catalog is being used; use the PART NUMBER.

## INDEX

Description	Page	Description	Page
Main Frame .....	1-2	Fuel Injection Pump Assy. No. 42-8000 ....	45-46
Instrument Panel Assembly .....	3	Nozzle and Holder Assy. No. 44-8070 .....	47
Electrical Schematic .....	4	Alternator Assembly No. 43-0390 .....	48
Radiator & Hood Assembly .....	5	Starter Assembly No. 46-7610 .....	49
Fuel Filter Assembly .....	6	Air Cleaner Assembly .....	50
Interlock Assembly .....	7	Push Arm Assembly .....	51
Power Take Off Assembly .....	8-9	Cutting Unit Model No. 30722 .....	52-54
Drive Shaft Assembly No. 62-4260 .....	10	Cutting Unit Model No. 30710 .....	55-57
Brake Pedal Assembly .....	11	Gear Box Assembly No. 68-6810 .....	58
Power Steering Assembly .....	12	Rear Baffle Kit No. 51-1460	
Power Steering Valve Assembly		(Optional) .....	59
No. 63-9250 .....	13	Mulcher Kit Model No. 30732 & 30733	
Hydraulic Schematic .....	14	(Optional) .....	60
Front Axle and Fuel Tank Assembly .....	15	Cutting Unit Pneumatic Tire & Wheel Assy.	
Front Axle Assembly No. 71-4390 .....	16-17	No. 12-1509 (Optional) .....	61
Brake Assembly .....	18	Tire & Wheel Assembly 23 x 10.50 x 12	
Steerable Axle Assembly .....	19	No. 62-7020 (Optional) .....	62
Rear Axle Assembly No. 68-6820 .....	20-21	Rear Weight Kit Model No. 24-5780	
Steering Knuckle Assembly .....	22	(Optional) .....	63
Drive Shaft Assembly No. 71-4550 .....	23	V-Plow Installation Kit Model No. 30757	
Axle Support & Steering Cross Member .....	24	(Optional) .....	64
Steering Cylinder Part No. 68-6860 .....	25	V-Plow Model No. 30750 (Optional) .....	65
Clutch Engagement Assembly .....	26	Standard Seat Kit Model No. 30770 .....	66-67
Hydrostatic Transmission .....	27-28	Deluxe Seat Kit Model No. 30772 .....	68
Transmission Assembly No. 71-4370 .....	29-30	Deluxe Seat Adapter Kit	
Valve and Cylinder Assembly .....	31	Model No. 30791 .....	69
Hydraulic Lift Cylinder Assy., No. 62-4250 ....	32	Drive Shaft Assy. Kit No. 72-3740 (Opt.) .....	70
Hydraulic Lift Cylinder Assy. No. 66-1250 ....	33	Wheel Weights Model No. 11-0440	
Control Valve Assembly No. 43-1710 .....	34	(Optional) .....	71
Engine Assembly .....	35-36	Roll Over Protection Kit .....	72
Engine .....	37-44		