



GT2200 Garden Tractor

Model No. 14AQ81RP544 - 1A136H30000 and up.

Parts Catalog

Ordering Replacement Parts

To order replacement parts, please supply the part number, the quantity, and the description of each part desired.

Understanding Reference Numbers

Each identified part in an illustration has a reference number. The reference number for a part also appears in the parts list, along with other information about the part.

This catalog uses two special reference number formats, one to indicate parts in a service assembly and another to indicate the quantity of a given part in an illustration.

Service Assembly Reference Numbers

Parts in service assemblies have reference numbers in the form a:b. The a represents the reference number of the entire service assembly and the b represents a sequential number unique to each part within the service assembly.

For example, a wheel assembly might be identified by reference number 6, the tire by 6:1, the valve by 6:2, and the wheel by 6:3. When you order the assembly identified by reference number 6, you receive all parts identified by reference numbers 6:1, 6:2, and 6:3. However, you may also order any part individually. Reference numbers of this type appear in illustrations and in part lists.

Reference Numbers Indicating Quantity

In an illustration, if a reference number indicates more than one part, the reference number has the form nX y. The n represents the quantity of the part, the X is the multiplication symbol, and the y represents the reference number.

For example, in an illustration, the reference number 2X 37 means that two of the parts identified by reference number 37 are indicated.

Contents

Description	Page	Description	Page
Front and Rear Wheel Assembly 3	Oil Pan and Lubrication Assembly Kohler SV730-0018 24
Deck Lift Arm Assembly 4	Head, Valve and Breather Assembly Kohler SV730-0018 25
Steering Shaft and Front Axle Assembly 5	Ignition and Electrical Assembly Kohler SV730-0018 26
Frame and Battery Assembly 6	Blower Housing and Baffle Assembly Kohler SV730-0018 27
Fender Assembly 7	Starting System Assembly Kohler SV730-0018 28
Brake and Traction Assembly 8	Fuel System Assembly Kohler SV730-0018 29
Fuel Tank and Hood Assembly 9	Engine Control Assembly Kohler SV730-0018 30
Transmission, Belt and Pulley Assembly 10	Air Intake and Filtration Assembly Kohler SV730-0018 31
Transmission Assembly No. 112-0914 12	Exhaust Stud, Gasket and Decal Assembly Kohler SV730-0018 32
Transmission Assembly No. 112-0914 (Continued) 14	Attachments and Accessories List 33
Deck Assembly 16		
Spindle Assembly No. 112-0370 18		
Electric Clutch Assembly 19		
Muffler Assembly 20		
Seat Assembly 21		
Crankshaft Assembly Kohler SV730-0018 22		
Crankcase Assembly Kohler SV730-0018 23		

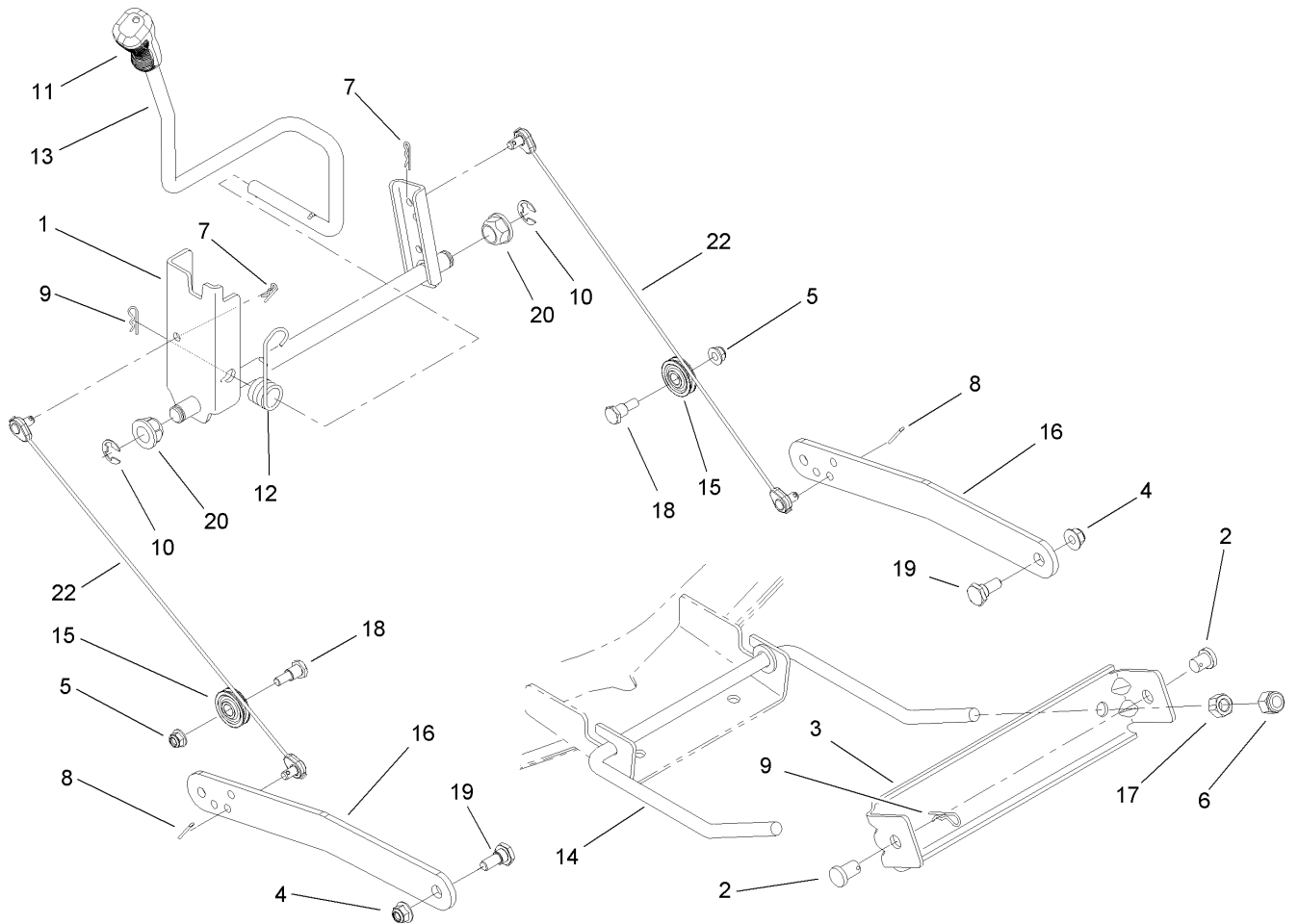
Part Description Abbreviations

Part descriptions in this catalog may include the following abbreviations.

AR. as required	HYD. hydraulic
ASM. assembly	LH. left hand
BBC. blade brake clutch	NI. nylon insert
CARR. carriage	NPTF. national pipe thread fine
DEG. degrees	PFH. phillips flat head
EXT. external	PPH. phillips pan head
FH. flat head	PPHTF. phillips pan head thread forming
GA. gauge	PRH. phillips round head
HD. heavy-duty	PTH. phillips truss head
HF. hex flange	PTO. power-take-off
HH. hex head	RH. right hand
HHF. hex head flange	ROPS. roll-over protection system
HHFTF. hex head flange thread forming	SFH. slotted fillister head
HJ. hex jam	SHH. slotted hex head
HLH. hex lag head	SHWH. slotted hex washer head
HOC. height-of-cut	SPH. slotted pan head
HSBH. hex socket button head	SQH. square head
HSFH. hex socket flat head	SRH. slotted round head
HSH. hex socket head	STD. standard
HWH. hex washer head	TAP. self tapping
HWHTF. hex washer head thread forming	TTH. torx truss head

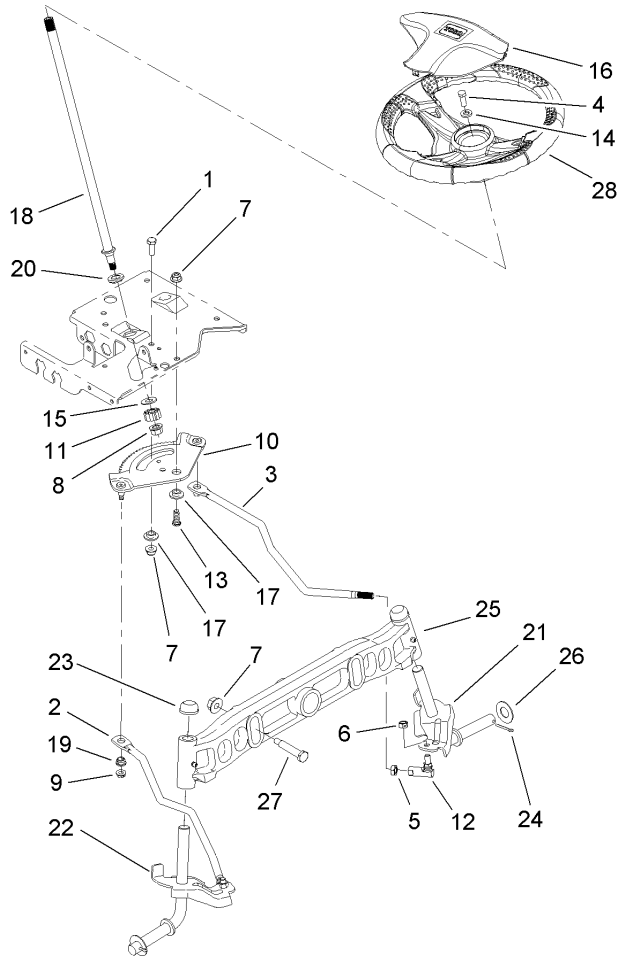
Footnotes

- | | |
|--|--------------------------------------|
| ❶ Not illustrated | ❷ Not serviced separately |
| ❸ Obtain from your local Kohler dealer | ❹ Obtain from your local Toro dealer |
| ❺ For Service with Keihin Carburetors | ❻ For Service of Nikki Carburetors |



Deck Lift Arm Assembly

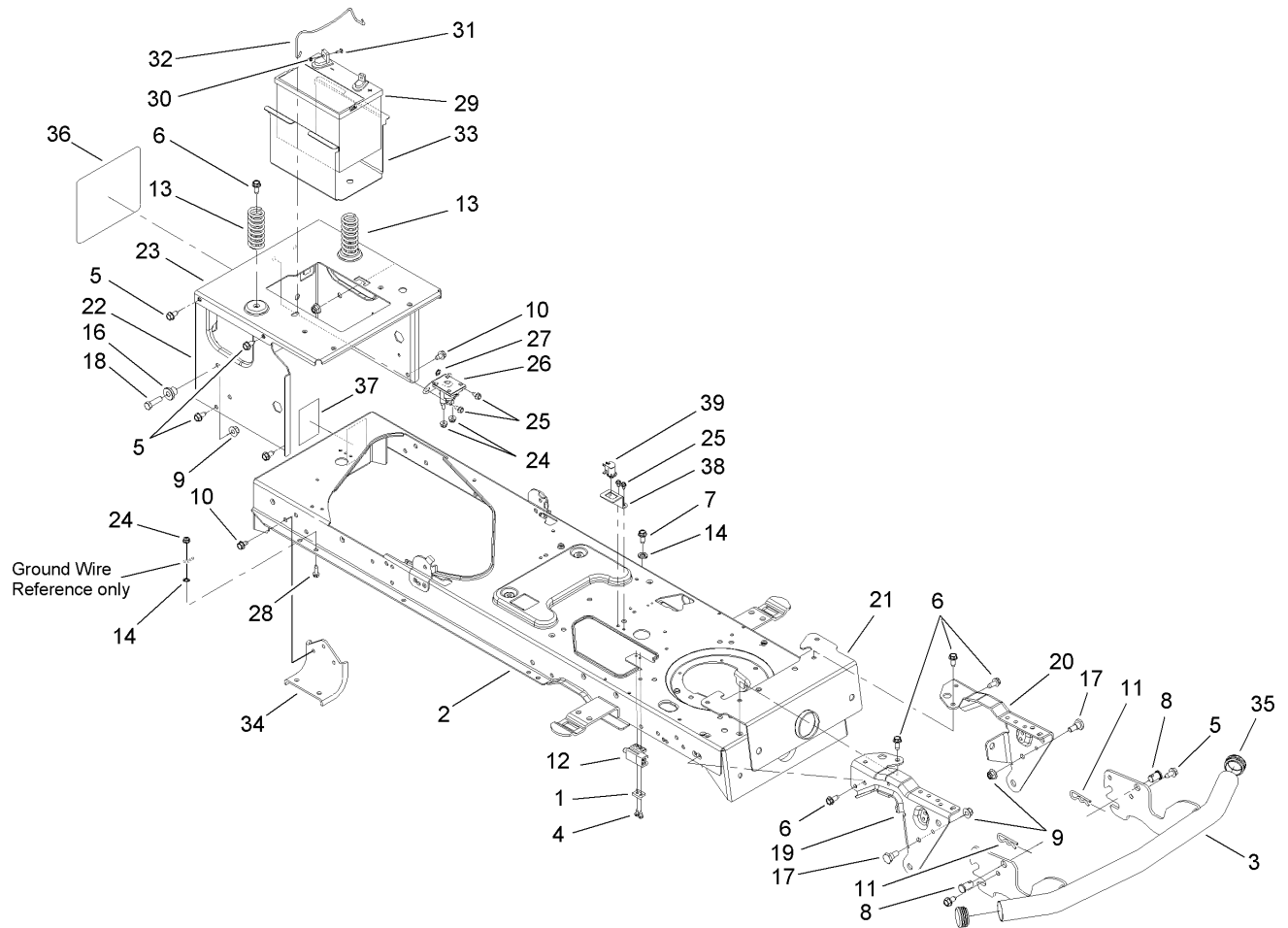
Ref	Part No.	Qty.	Description
1	112-0686	1	Lift Shaft ASM
2	112-0376	1	Pin-Bracket, Lift
3	112-0707	1	Bracket-Stabilizer
4	112-0668	1	Nut-Lock, Flange
5	112-0650	1	Nut-Lock, Flange
6	112-0476	1	Nut-Lock, Hex (Nylon)
7	112-0459	1	Pin-Cotter
8	112-0568	1	Pin-Cotter
9	112-0394	1	Pin-Hair
10	112-0586	1	Ring-E
11	112-0585	1	Grip-Handle
12	112-0477	1	Spring-Torsion
13	112-0674	1	Handle-Lift
14	112-0497	1	Rod-Front, Adjust
15	112-0502	1	Pulley-Roller
16	112-0569	1	Arm-Lift
17	112-0458	1	Nut-Hex
18	112-0443	1	Bolt-Shoulder
19	112-0442	1	Bolt-Shoulder
20	112-0347	1	Bearing-Flange
22	112-0374	1	Cable-Lift



Steering Shaft and Front Axle Assembly

Ref	Part No.	Qty.	Description
1	112-0492	1	Screw-HH
2	112-0355	1	Link-Drag, RH
3	112-0346	1	Link-Drag, LH
4	112-0473	1	Screw-HH
5	112-0493	1	Nut-Jam
6	112-0483	1	Nut-Hex, Lock
7	112-0668	1	Nut-Lock, Flange
8	112-0859	1	Nut-Lock, Flange
9	112-0511	1	Nut-Lock, Flange
10	112-0862	1	Gear-Steering
11	112-0863	1	Gear-Pinion, Steering
12	112-0917	1	Ball Joint ASM
13	112-0631	1	Screw-HH
14	112-0924	1	Washer-Flat
15	112-0925	1	Washer-Flat
16	112-0341	1	Cover-Wheel, Steering
17	112-0881	1	Spacer-Shoulder
18	112-5804	1	Shaft-Steering
19	112-0929	1	Bushing
20	112-0930	1	Bearing-Flange, Hex
21	112-0687	1	LH Axle ASM
22	112-0405	1	RH Axle ASM
23	112-0323	1	Cap
24	112-0519	1	Pin-Cotter

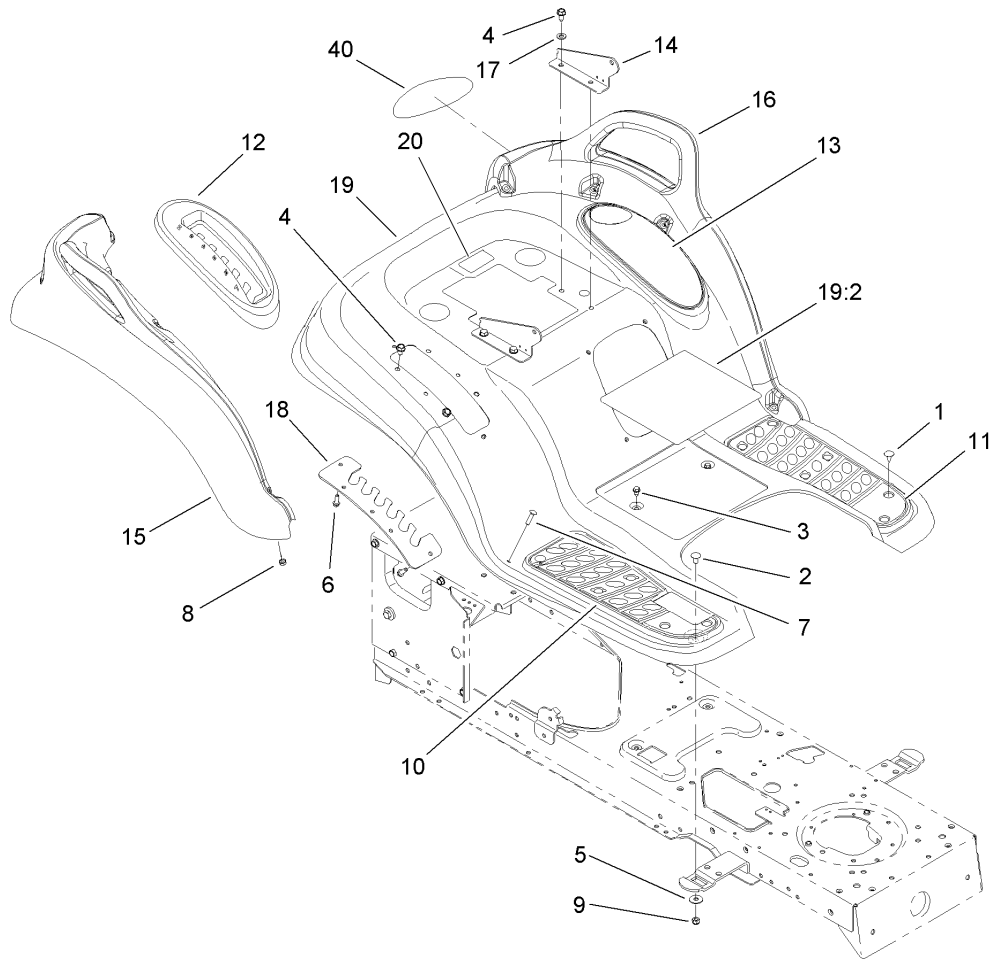
Ref	Part No.	Qty.	Description
25	112-0416	1	Axle-Pivot, Front
26	112-0396	1	Washer-Flat
27	112-0486	1	Bolt-Shoulder
28	112-0438	1	Wheel-Steering, Softgrip



Frame and Battery Assembly

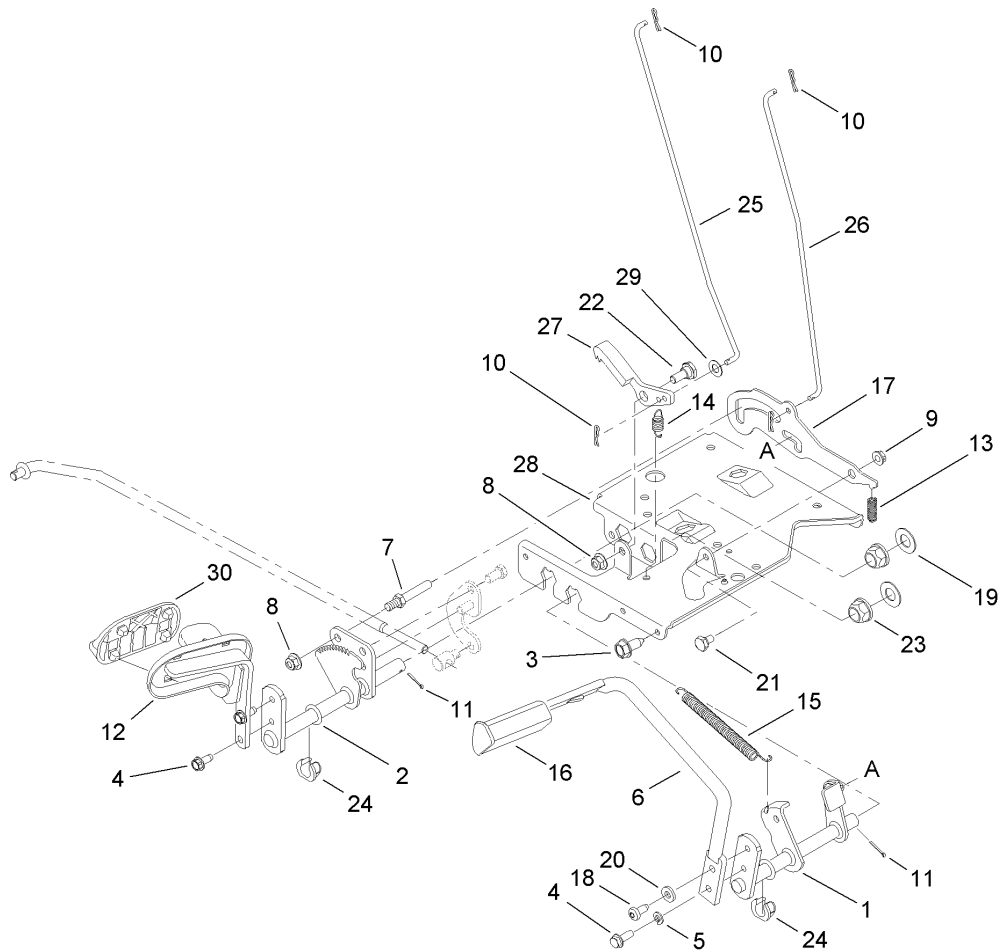
Ref	Part No.	Qty.	Description
1	112-0671	1	Plate-Switch
2	112-0705	1	Lower Frame ASM
3	112-0954	1	Bumper ASM
4	112-0651	1	Screw-HH, TAP
5	112-0472	1	Screw-HH, TAP
6	112-0395	1	Screw-HWH
7	112-0659	1	Screw-HWH
8	112-0376	1	Pin-Bracket, Lift
9	112-0668	1	Nut-Lock, Flange
10	112-0676	1	Screw-TAP
11	112-0394	1	Pin-Hair
12	112-0455	1	Switch-Interlock
13	112-0501	1	Spring-Compression
14	112-0703	1	Washer-Lock, External
16	112-0661	1	Spacer-Shoulder
17	112-0565	1	Bolt-Shoulder
18	112-0557	1	Screw-HH
19	112-0620	1	Bracket-Pivot, Support
20	112-0610	1	Bracket-Pivot, Support
21	112-0640	1	Bracket-Pivot, Bar
22	112-0728	1	Frame-Upper
23	112-0647	1	Bracket-Frame, Seat
24	112-0636	1	Nut-Lock, Flange
25	112-0524	1	Screw-HWHTF

Ref	Part No.	Qty.	Description
26	112-0309	1	Solenoid-12V
27	112-0703	1	Washer-Lock, External
28	112-0587	1	Screw-HH, TAP
29	112-0425	1	Battery-245 Cca (Dry Flat Top)
30	112-5805	1	Nut-Sems
31	112-0479	1	Bolt-CARR
32	112-0581	1	Rod-Holddown, Battery
33	112-5806	1	Tray-Battery
34	112-0710	1	Bracket-Axle
35	112-5807	1	Bumper-Cap
36	112-1284	1	Decal-Toro
37	112-3715	1	Decal-Bypass
38	112-3737	1	Bracket-Switch, Parking Brake
39	112-0441	1	Switch-Mount, Snap



Fender Assembly

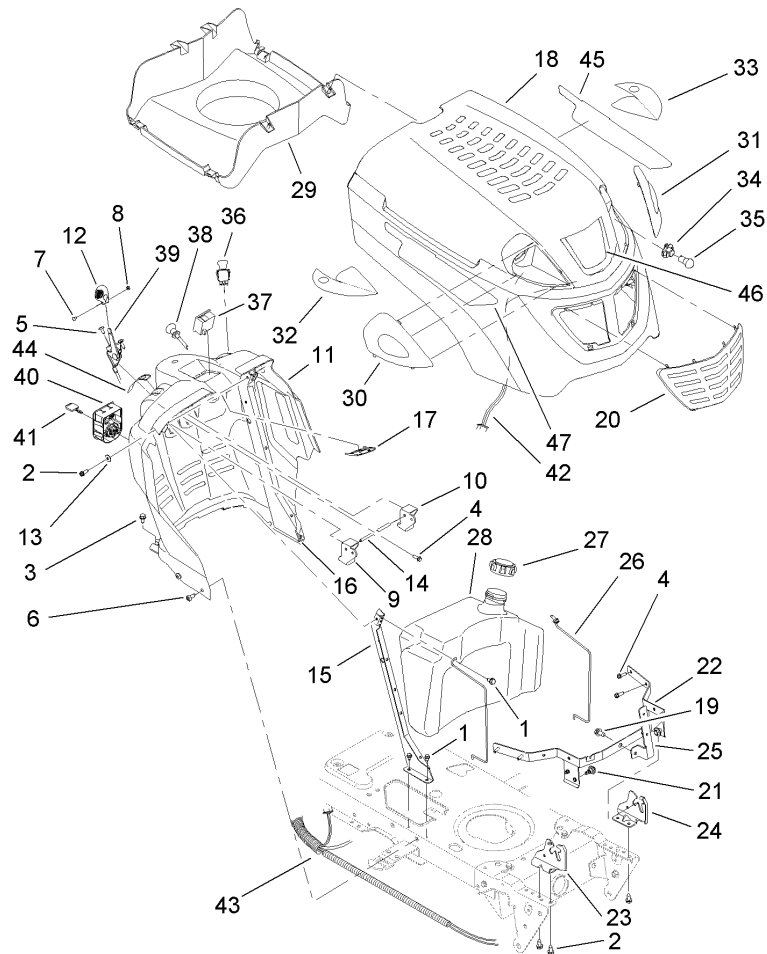
Ref	Part No.	Qty.	Description	
1	112-0549	1	Clip-Ratchet, Fastener	
2	112-0426	1	Bolt-CARR	
3	112-0524	1	Screw-HWHTF	
4	112-0556	1	Screw-HWH	
5	112-0582	1	Washer-Flat	
6	112-0509	1	Screw-HH, TAP	
7	112-0907	1	Screw-CARR	
8	112-0546	1	Nut-Sems	
9	112-0650	1	Nut-Lock, Flange	
10	112-0540	1	Pad-Foot, RH	
11	112-0545	1	Pad-Foot, LH	
12	112-0869	1	Cover-Lever, Lift	
13	112-0870	1	Cover (W/Cup Holder)	
14	112-5808	1	Bracket-Seat	
15	112-0871	1	Flare-Fender, RH	
16	112-0872	1	Flare-Fender, LH	
17	112-0517	1	Washer-Lock, External	
18	112-0629	1	Bracket-Adjusting, Lift	
19	112-5869	1	Fender And Decal ASM	
19:2	112-3707	1	Decal-Slope	
20	112-3701	1	Decal-Toro Hotline	
40	112-5873	1	Reflector	



Brake and Traction Assembly

Ref	Part No.	Qty.	Description
1	112-0648	1	Brake Control ASM
2	112-0850	1	Control ASM
3	112-0472	1	Screw-HH, TAP
4	112-0404	1	Screw-HWHTF
5	112-0366	1	Washer-Lock
6	112-3738	1	Pedal-Brake
7	112-0599	1	Pin
8	112-0668	1	Nut-Lock, Flange
9	112-0511	1	Nut-Lock, Flange
10	112-0459	1	Pin-Cotter
11	112-0568	1	Pin-Cotter
12	112-0851	1	Control Pedal ASM
13	112-0506	1	Spring
14	112-0510	1	Spring-Extension
15	112-0348	1	Spring-Extension
16	112-0530	1	Pad-Brake
17	112-5812	1	Bracket-Lockout
18	112-0563	1	Screw-TAP
19	112-0339	1	Washer-Flat
20	112-0579	1	Washer-Flat
21	112-0542	1	Bolt-Shoulder
22	112-0442	1	Bolt-Shoulder
23	112-0347	1	Bearing-Flange
24	112-0387	1	Bearing-Flange, Hex (Split)

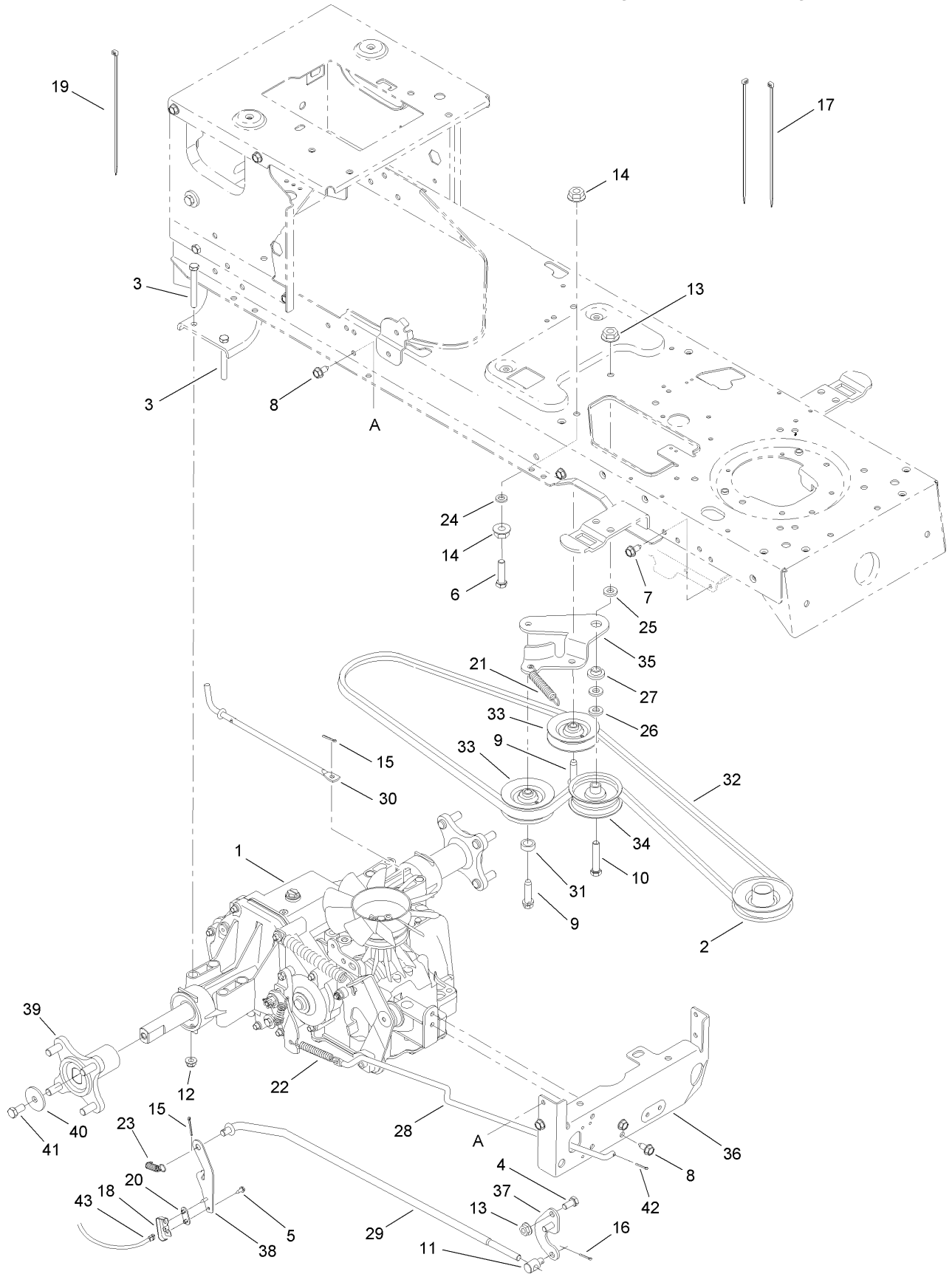
Ref	Part No.	Qty.	Description
25	112-0662	1	Rod-Control, Cruise
26	112-0675	1	Rod-Brake, Lock Control
27	112-0696	1	Latch-Cruise
28	112-0681	1	Bracket-Support, Steering
29	112-0541	1	Washer-Flat
30	112-0543	1	Pad-Pedal



Fuel Tank and Hood Assembly

Ref	Part No.	Qty.	Description	Ref	Part No.	Qty.	Description
1	112-0524	1	Screw-HWHTF	25	112-3736	1	Bracket-Support, Hood
2	112-0587	1	Screw-HH, TAP	26	112-0678	1	Rod-Support
3	112-0472	1	Screw-HH, TAP	27	112-0321	1	Cap-Fuel
4	112-0509	1	Screw-HH, TAP	28	112-0414	1	Tank-Fuel, 3 Gallon
5	112-0550	1	Screw-TAP	29	112-5814	1	Plenum-Hood
6	112-0563	1	Screw-TAP	30	112-0447	1	Lens-RH
7	112-0478	1	Screw-PTH	31	112-0446	1	Lens-LH
8	112-0515	1	Nut-Hex	32	112-5810	1	Reflector-RH
9	112-0526	1	Lever-Cruise	33	112-5811	1	Reflector-LH
10	112-0580	1	Lever-Brake	34	112-0408	1	Socket-Headlight
11	112-0536	1	Dash-PTO, Electric	35	112-0402	1	Lamp-12V, Miniature
12	112-0474	1	Knob-Control	36	112-0411	1	Switch-Electric, PTO
13	112-0485	1	Washer-Spring	37	112-0336	1	Meter-Indicator, Systems
14	112-0604	1	Rod-Lever, Bent	38	112-0310	1	Cable Control ASM (W/Choke Knob)
15	112-0583	1	Support-Dash, RH	39	112-0403	1	Cable-Throttle
16	112-0591	1	Support-Dash, LH	40	112-0865	1	Module-Switch, Ignition
17	112-5809	1	Bracket-PTO	41	112-0312	1	Key-Ignition
18	112-0444	1	Hood	42	112-0480	1	Harness-Headlight
19	112-0906	1	Screw-HWHTF	43	112-5815	1	Harness-Wiring
20	112-0381	1	Grill	44	112-1272	1	Decal-Throttle, Dash
21	112-0597	1	Bolt-Shoulder	45	112-1276	1	Decal-Hood, Left Side
22	112-0555	1	Bracket-Pivot	46	112-1285	1	Decal-Hood, Toro
23	112-0727	1	Bracket-Pivot, Hood (RH)	47	112-1277	1	Decal-Hood, Right Side
24	112-0726	1	Bracket-Pivot, Hood (LH)				

Transmission, Belt and Pulley Assembly



Transmission, Belt and Pulley Assembly

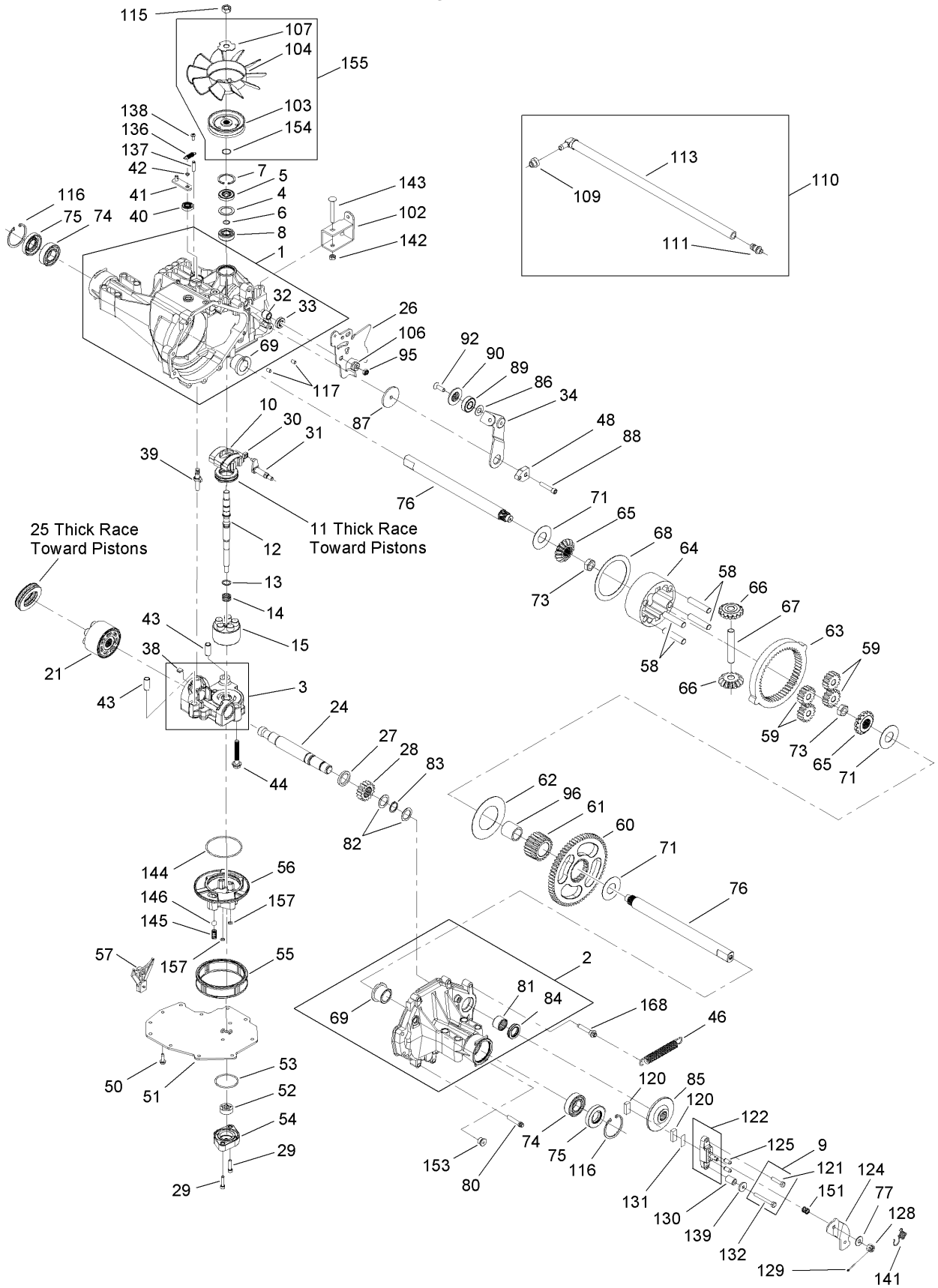
Ref	Part No.	Qty.	Description				
1	112-0914	1	Transmission ASM				
2	112-5822	1	Pulley-Engine				
3	112-0714	1	Screw-Hex				
4	112-0855	1	Screw-HH				
5	112-0626	1	Screw-HWHTF				
6	112-5823	1	Screw-HH				
7	112-0524	1	Screw-HWHTF				
8	112-0472	1	Screw-HH, TAP				
9	112-0469	1	Screw-HH, TAP				
10	112-0700	1	Screw-HH				
11	112-0908	1	Ferrule				
12	112-0511	1	Nut-Lock, Flange				
13	112-0668	1	Nut-Lock, Flange				
14	112-0668	1	Nut-Lock, Flange				
15	112-0459	1	Pin-Cotter				
16	112-0568	1	Pin-Cotter				
17	112-0527	1	Tie-Cable				
18	112-0602	1	Switch-Spring, Short				
19	112-0866	1	Tie-Cable, Push Mount				
20	112-0625	1	Plate-Insulator				
21	112-0873	1	Spring-Extension				
22	112-0350	1	Spring-Extension				
23	112-0875	1	Spring-Extension				
24	112-0415	1	Washer-Lock				
25	112-5824	1	Washer-Flat				
26	112-0544	1	Washer-Flat				
27	112-0345	1	Spacer-Shoulder				
28	112-0887	1	Rod-Brake				
29	112-0888	1	Rod-Control				
30	112-0889	1	Rod-Disengage				
31	112-5825	1	Spacer				
32	112-0317	1	Belt				
33	112-0892	1	Pulley-Idler, V-Type				
34	112-0313	1	Pulley-Idler, Flat				
35	112-0525	1	Bracket-Idler, Center Double				
36	112-0711	1	Bracket-Transmission				
37	112-0899	1	Bracket-Control				
38	112-0901	1	Bracket-Actuator				
39	112-0738	1	Wheel Hub ASM				
40	112-0534	1	Washer-Flat				
41	112-0768	1	Screw-HH				
42	112-0354	1	Pin-Cotter				
43	112-0846	1	Harness ASM				

Transmission Assembly No. 112-0914

Ref	Part No.	Qty.	Description
1	104-2101	1	Main Housing ASM
2	112-5887	1	Right Hand Housing ASM
3	112-5889	1	Center Section ASM
4	104-2104	1	Spacer
5	92-6543	1	Seal-Lip
6	94-1902	1	Ring-Wire, Retaining
7	94-1903	1	Ring-Retaining
8	94-1904	1	Bearing-Shaft, Ball
9	112-5888	1	Brake Bolt Kit
10	94-1907	1	Swashplate-Variable
11	94-6922	1	Bearing-Thrust
12	104-2105	1	Shaft-Input
13	94-1937	1	Washer-Block, Thrust
14	94-1936	1	Spring-Block
15	103-2666	1	Cylinder Block Kit
21	94-1913	1	Cylinder Block ASM
24	104-2107	1	Shaft-Output
25	94-6923	1	Bearing-Thrust
26	112-5890	1	Arm-Control
27	104-2109	1	Spacer
28	104-2110	1	Gear-Pinion, 16T
29	104-2111	2	Capscrew
30	94-1910	1	Guide-Slot
31	104-2112	1	Trunnion ASM
32	104-2113	1	Bushing-Trunnion
33	92-6544	1	Seal-Lip
34	112-5891	1	Arm-Return
38	112-5892	1	Bypass Plate Kit
39	94-1914	1	Actuator-Bypass
40	92-6545	1	Seal-Lip
41	104-2117	1	Arm-Bypass
42	936109	1	Ring-Retaining
43	94-1927	2	Pin
44	94-6926	3	Bolt
46	112-5893	1	Spring-Return, 5 Inch (Medium)
48	104-2119	1	Puck-Adjusting
50	104-2120	11	Screw
51	104-2121	1	Cover-Lower
52	104-2122	1	Gerotor ASM
53	104-2123	1	O-Ring
54	104-2124	1	Cover-Gerotor
55	112-5894	1	Filter Kit
56	112-5895	1	Manifold-Charge
57	104-2127	1	Retainer-Bearing, Motor
58	104-2128	4	Pin-Carrier
59	104-2129	4	Gear-Planet, 15T
60	104-2130	1	Gear-Spur, 67T
61	104-2131	1	Gear-Sun, 21T
62	104-2132	1	Plate-Thrust, Planet
63	104-2133	1	Gear-Ring, 51T
64	104-2134	1	Carrier-Planetary
65	104-2135	2	Gear-Miter

Ref	Part No.	Qty.	Description
66	104-2136	2	Gear-Miter
67	104-2137	1	Shaft
68	104-2138	1	Plate-Thrust
69	104-2139	2	Bearing-Flange
71	104-2141	3	Washer
73	104-2142	2	Nut-HJ
74	104-2143	2	Bearing-Ball
75	104-2144	2	Seal
76	112-5896	2	Shaft-Axle
77	5-4460	1	Washer-Pivot
79	104-2147	10	Sealant
80	104-2148	8	Screw-TTH
81	104-2149	1	Bearing-Needle
82	104-2150	2	Washer
83	104-2151	1	Ring-Retaining
84	104-2152	1	Seal-Lip
85	104-2153	1	Disk-Brake
86	94-1933	1	Washer
87	104-2154	1	Washer
88	104-2155	1	Screw
89	104-2156	1	Bearing
90	104-2157	1	Spacer-Locating
92	104-2158	1	Screw-Countersunk
95	104-2159	1	Nut-Hex, Lock
96	104-2160	1	Bearing-Sleeve

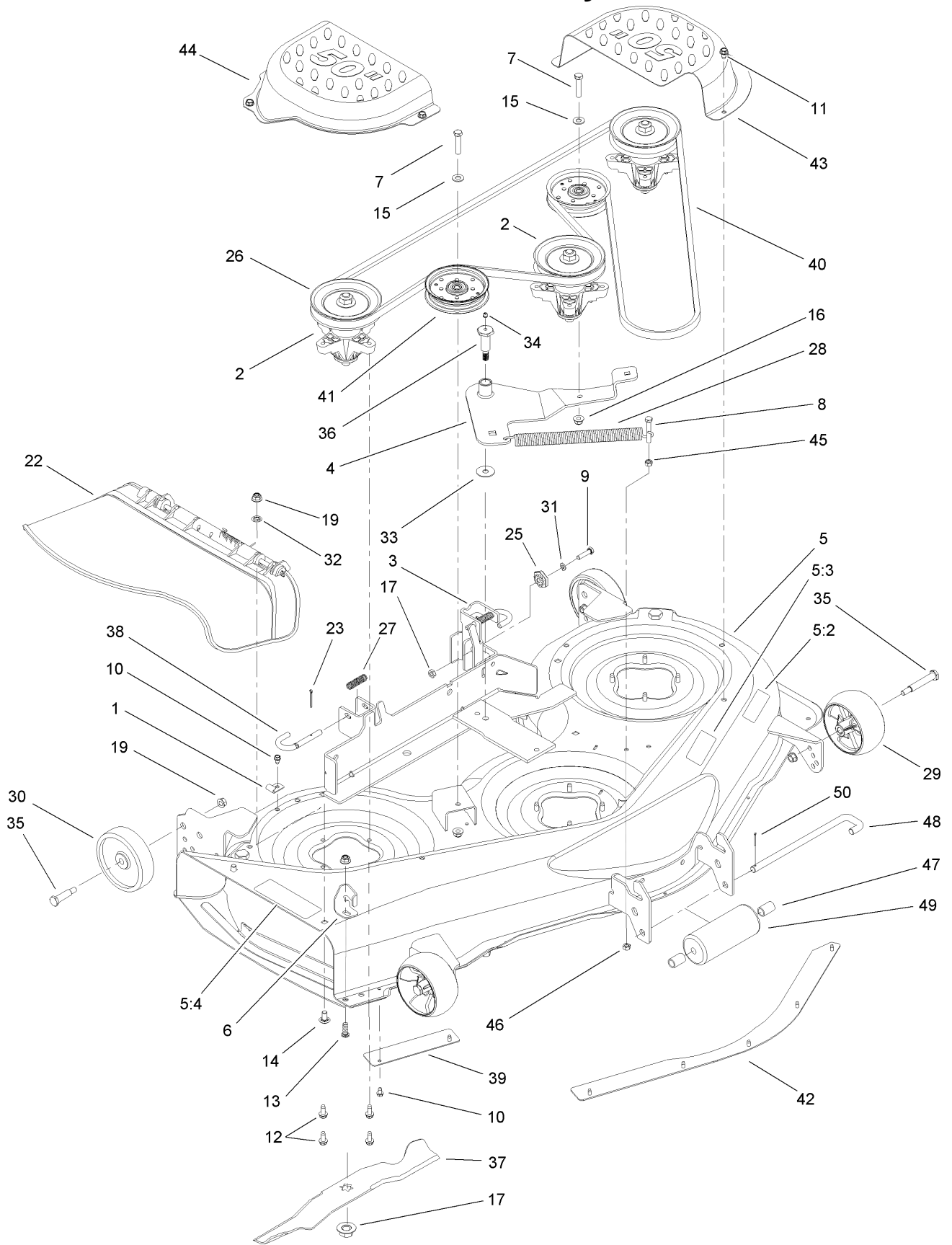
Transmission Assembly No. 112-0914 (Continued)



Transmission Assembly No. 112-0914 (Continued)

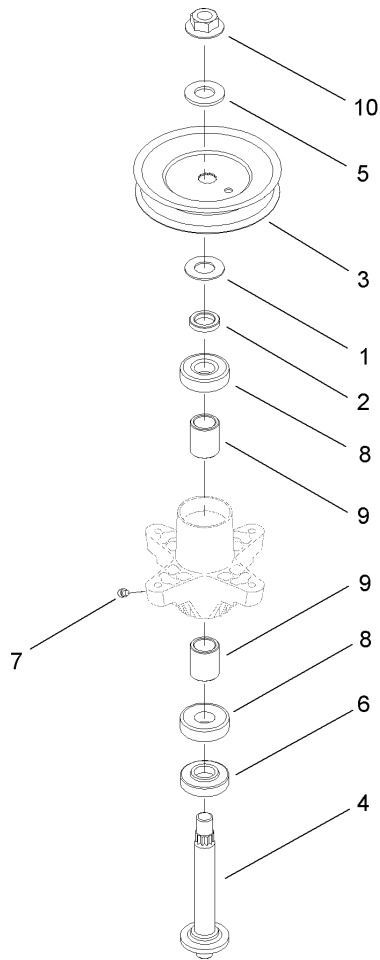
Ref	Part No.	Qty.	Description			
102	112-5897	1	Bracket-Torque			
103	112-5885	1	Pulley			
104	112-5886	1	Fan-Blade, 10			
106	112-5898	1	Spacer-Trunnion			
107	112-5899	1	Washer-Slotted			
109	112-5900	1	Bushing-Vent			
110	112-5901	1	Fitting Kit			
111	112-5902	1	Cap Vent ASM			
113	112-5903	1	90 Degree Fitting And Hose ASM Kit			
115	104-2168	1	Nut-Hex			
116	104-2169	2	Ring-Retaining			
117	104-2170	2	Pin			
120	104-2171	2	Puck-Brake			
121	112-5904	1	Bolt-Hex			
122	112-5905	1	Brake Yoke ASM			
124	112-5906	1	Arm-Brake			
125	104-2176	2	Pin-Brake			
128	93-3807	1	Nut-Castle			
129	3272-7	1	Pin-Cotter			
130	104-2180	1	Spacer			
131	104-2181	1	Puck-Plate			
132	112-5907	1	Bolt-Hex			
136	112-5908	1	Spring-Bypass			
137	112-5909	1	Pin-Spring			
138	112-5910	1	Bolt-Self Tapping			
139	112-5911	1	Washer			
141	104-2184	1	Spring-Arm, Brake			
142	112-5912	1	Nut-Hex Lock			
143	112-5913	1	Bolt			
144	104-2185	1	O-Ring			
145	104-2186	1	Spring-Relief			
146	25-2490	1	Ball			
151	104-2188	1	Spring-Brake, Anti Drag			
153	104-2189	1	Plug-Thread, Straight			
154	112-5914	1	Ring-Retaining			
155	112-5915	1	Fan And Pulley Kit			
157	104-2191	2	O-Ring			
168	112-5916	1	Bolt-Shoulder, Torx			
● 203	112-5917	1	Seal And O-Ring Kit			

Deck Assembly



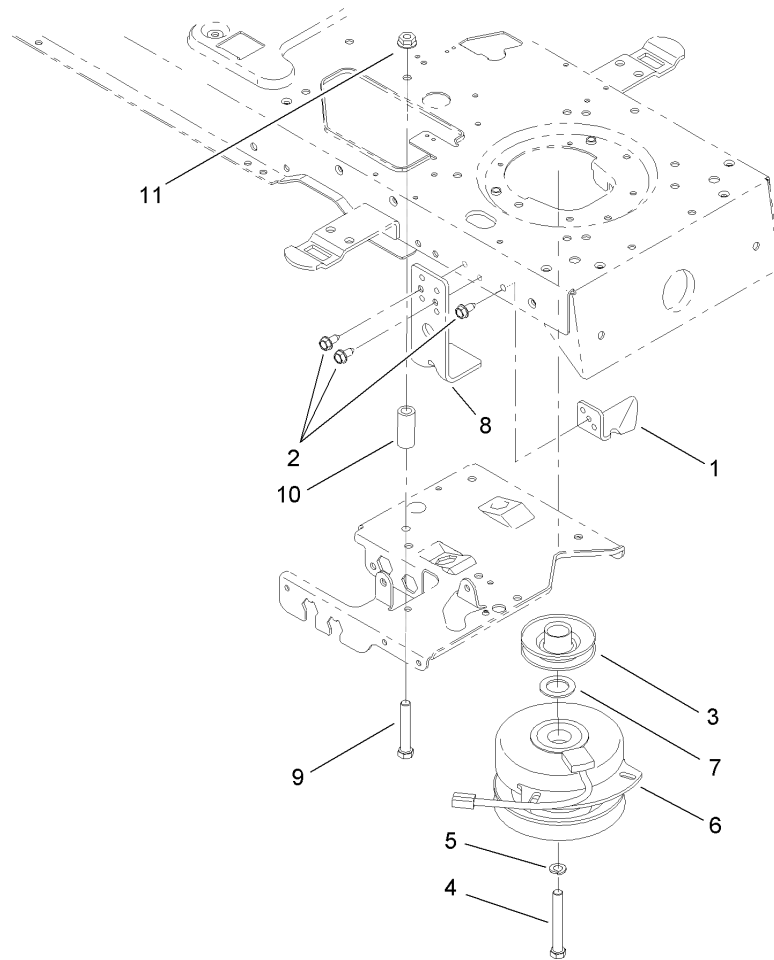
Deck Assembly

Ref	Part No.	Qty.	Description				
1	112-0378	1	Bracket-Retain, Hook				
2	112-0370	1	Spindle ASM				
3	112-0413	1	LH Hanger Bracket ASM				
4	112-0702	1	Idler ASM				
5	112-5859	1	Deck And Decal ASM				
5:2	112-1268	1	Decal-Danger, Deck				
5:3	112-1273	1	Decal-Belt Routing, Deck				
5:4	112-1265	1	Decal-Danger				
6	112-0854	1	Stop-Chute				
7	112-0513	1	Screw-HH				
8	112-0590	1	Screw-HH				
9	112-0373	1	Screw-HH				
10	112-0524	1	Screw-HWHTF				
11	112-0472	1	Screw-HH, TAP				
12	112-0395	1	Screw-HWH				
13	112-0631	1	Screw-HH				
14	112-0452	1	Bolt-CARR				
15	112-0572	1	Washer-Flat				
16	112-0668	1	Nut-Lock, Flange				
17	112-0330	1	Nut-Flange, Hex				
19	112-0385	1	Nut-Lock, Flange				
22	112-0533	1	Chute ASM				
23	112-0412	1	Pin-Cotter				
25	112-0327	1	Gear-Adjustment, Deck				
26	112-0505	1	Pulley-Deck				
27	112-0406	1	Spring-Compression				
28	112-0349	1	Spring				
29	112-0677	1	Wheel-Deck				
30	112-0337	1	Wheel				
31	112-0366	1	Washer-Lock				
32	112-0623	1	Retainer-Bolt				
33	112-0564	1	Washer-Flat				
34	112-0926	1	Fitting-Grease				
35	112-0334	1	Bolt-Shoulder				
36	112-5836	1	Bolt-Shoulder				
37	112-0316	1	Blade-17.90 Inch				
38	112-0436	1	Pin-Handle, Deck Release				
39	112-0612	1	Skirt-RH				
40	112-0332	1	Belt-V, Type B				
41	112-0314	1	Pulley-Idler				
42	112-5837	1	Skirt-Center				
43	112-0614	1	Cover-Belt, LH				
44	112-0618	1	Cover-Belt, RH				
45	112-0437	1	Nut-Hex				
46	112-0650	1	Nut-Lock, Flange				
47	112-0691	1	Spacer				
48	112-5839	1	Pin-Roller				
49	112-5840	1	Roller				
50	112-5841	1	Pin-Cotter				



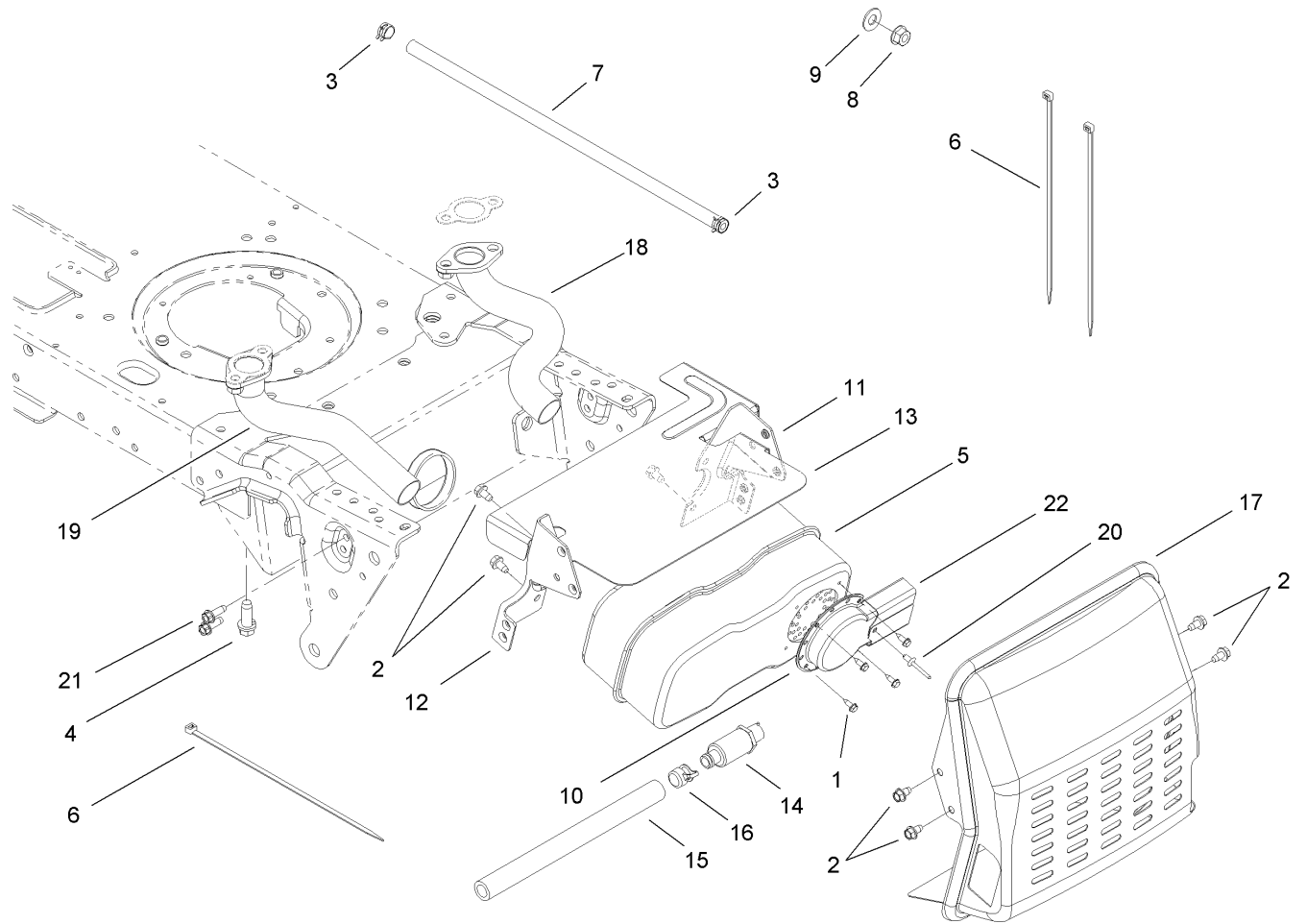
Spindle Assembly No. 112-0370

Ref	Part No.	Qty.	Description	
1	112-5925	1	Washer-Flat	
2	112-0600	1	Spacer	
3	112-5926	1	Pulley	
4	112-0884	1	Shaft-Spindle, Blade (Star)	
5	112-0921	1	Washer-Flat	
6	112-0721	1	Spacer	
7	112-0926	1	Fitting-Grease	
8	112-0377	1	Bearing-Ball	
9	112-0389	1	Spacer	
10	112-0330	1	Nut-Flange, Hex	



Electric Clutch Assembly

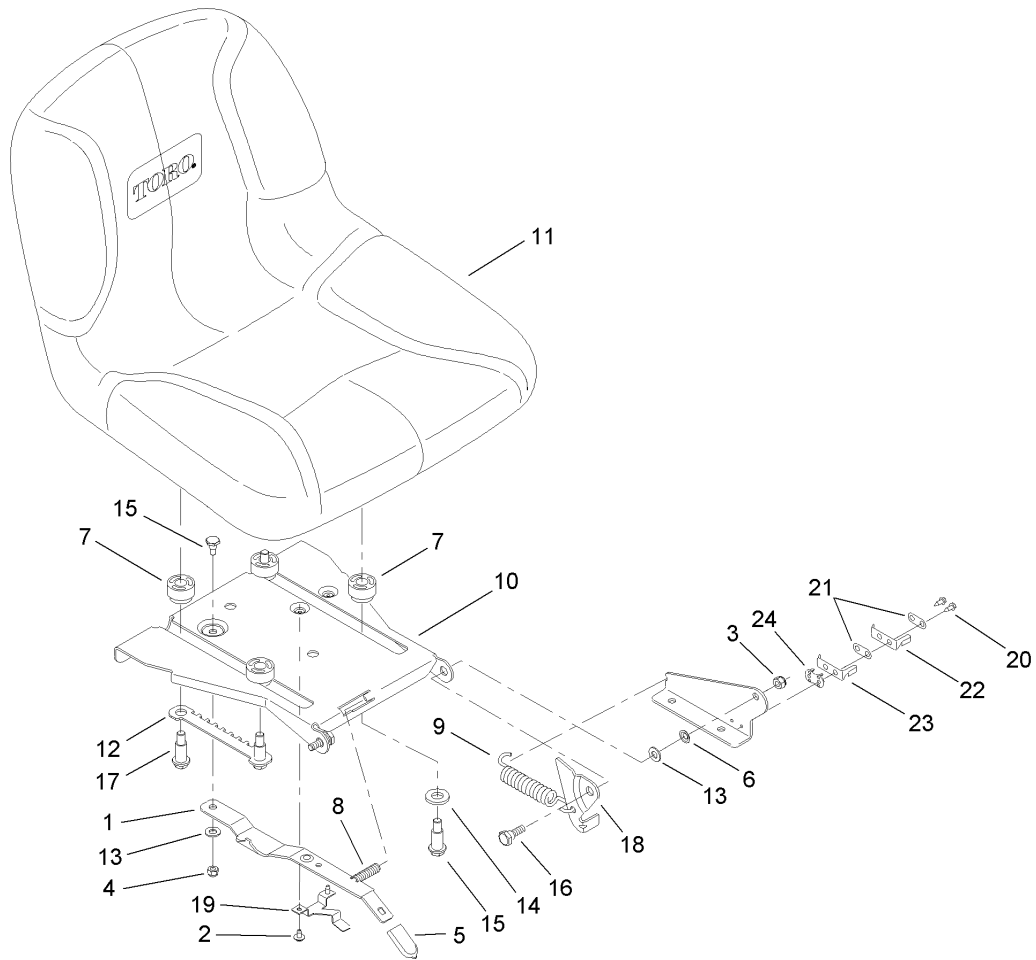
Ref	Part No.	Qty.	Description
1	112-0571	1	Bracket-Clutch
2	112-0472	1	Screw-HH, TAP
3	112-5822	1	Pulley-Engine
4	112-0561	1	Screw-HH
5	112-0428	1	Washer-Lock
6	112-0424	1	Clutch-Electric, PTO
7	112-0420	1	Washer-Flat
8	112-0689	1	Bracket-Deck, Up Stop
9	112-0700	1	Screw-HH
10	112-0433	1	Spacer
11	112-0668	1	Nut-Lock, Flange



Muffler Assembly

Ref	Part No.	Qty.	Description
1	112-0626	1	Screw-HWHTF
2	112-0524	1	Screw-HWHTF
3	112-0573	1	Clamp-Hose
4	112-0487	1	Screw-TAP
5	112-0342	1	Muffler-Inlet, Dual
6	112-0527	1	Tie-Cable
7	112-0720	1	Hose-Fuel
8	112-0490	1	Nut-Lock, Flange
9	112-0572	1	Washer-Flat
10	112-0453	1	Deflector-Muffler
11	112-0467	1	Bracket-Muffler, LH
12	112-0466	1	Bracket-Muffler, RH
13	112-0716	1	Shield-Heat
14	112-0388	1	Drain-Oil
15	112-0553	1	Hose-Drain
16	112-0397	1	Cap-Drain, Oil
17	112-0457	1	Muffler Shield ASM
18	112-0391	1	Pipe-Exhaust, LH
19	112-0392	1	Pipe-Exhaust, RH
20	112-3741	1	Rivet-Pop
21	112-0587	1	Screw-HH, TAP
22	112-0730	1	Deflector-Muffler, Long

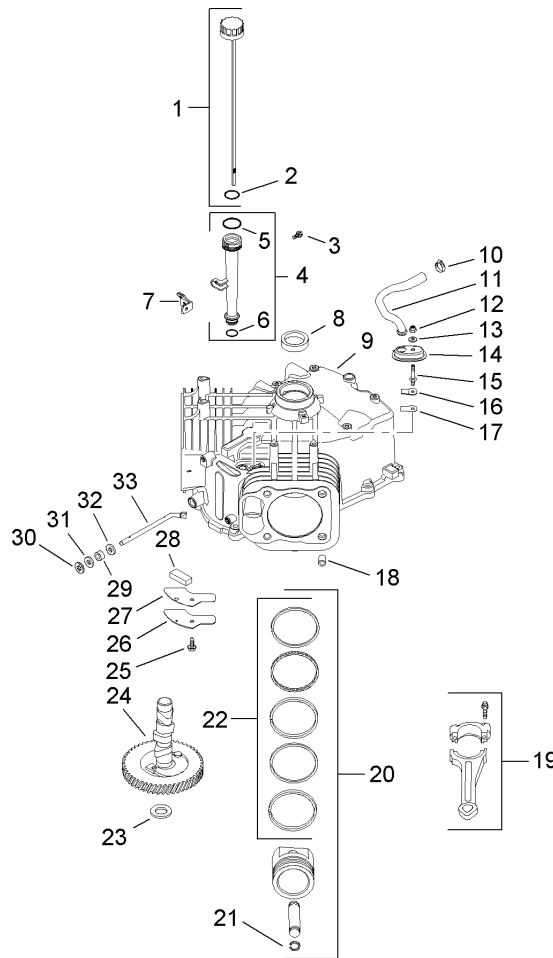
--	--	--	--



Seat Assembly

Ref	Part No.	Qty.	Description
1	112-0898	1	Lever-Adjust, Seat
2	112-0857	1	Screw-HH, TAP
3	112-0650	1	Nut-Lock, Flange
4	112-0657	1	Nut-Lock, Flange
5	112-0864	1	Grip-Adjuster, Seat
6	112-0645	1	Nut-Push
7	112-0868	1	Spacer-Adjust, Seat
8	112-0874	1	Spring-Compression
9	112-0616	1	Spring-Extension
10	112-0897	1	Bracket-Pivot, Seat
11	112-0372	1	Seat-High Back
12	112-0900	1	Selector-Adjust, Seat
13	112-0601	1	Washer-Flat
14	112-0878	1	Washer-Flat
15	112-0927	1	Bolt-Shoulder
16	112-0575	1	Bolt-Shoulder
17	112-0882	1	Bolt-Shoulder
18	112-0646	1	Bracket-Lift, LH
18	112-5849	1	Bracket-Lift, RH
19	112-5850	1	Stop-Adjust, Seat
20	112-0626	1	Screw-HWHTF
21	112-0635	1	Plate-Insulator
22	112-0529	1	Switch-Spring
23	112-0532	1	Switch-Spring, Inner

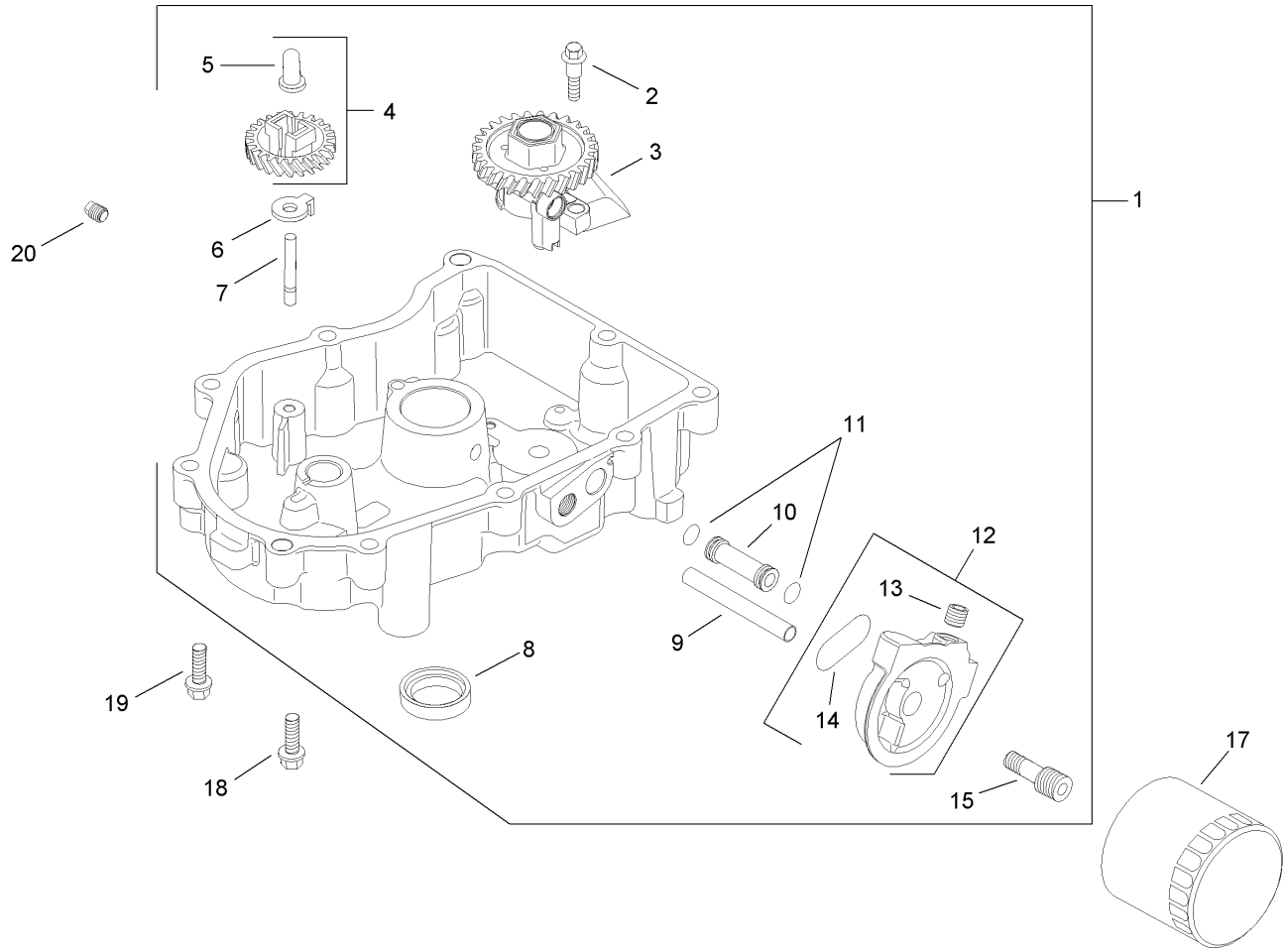
Ref	Part No.	Qty.	Description
24	112-0637	1	Plate-Boss, Insulator



Crankcase Assembly Kohler SV730-0018

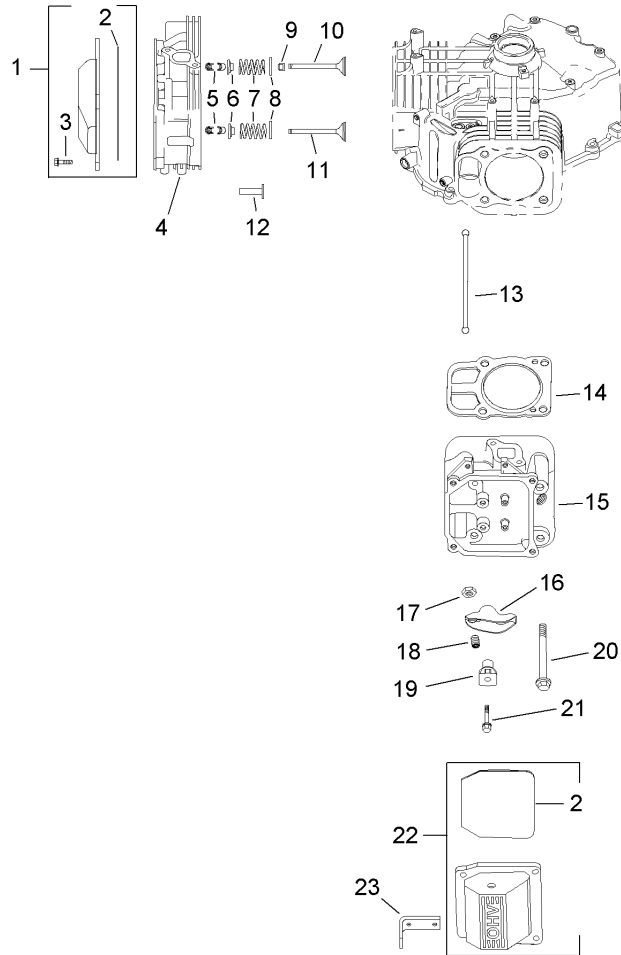
Ref	Part No.	Qty.	Description
❶	32 038 01-S	1	Dipstick Kit (Includes 2)
❷	12 153 03-S	1	O-Ring
❸	M-545016-S	1	Screw-HHFTF (M5X0.8X16)
❹	12 123 04-S	1	Oil Fill Tube ASM (Includes 5-6)
❺	12 153 02-S	1	O Ring-Upper Oil Fill Tube
❻	12 153 01-S	1	O-Ring-Lower Oil Fill Tube
❼	24 126 19-S	1	Bracket-Oil Fill Tube
❽	24 032 01-S	1	Seal-Oil
❹		1	Crankcase (Use: Short Block # 32 522 03)
❿	25 237 14-S	1	Clamp-Hose
⓫	32 326 04-S	1	Hose-Breather
⓬	M-547050-S	1	Nut-Hex, Lock (M5X0.8)
⓭	32 468 01-S	1	Washer-Sealing
⓮	32 081 02-S	1	Housing-Breather
⓯	32 072 02-S	1	Stud-Breather Cover
⓰	24 018 04-S	1	Retainer-Breather Reed
⓱	24 402 05-S	1	Reed-Breather
⓲	24 380 16-S	6	Pin-Locating
⓳	24 067 13-S	2	Rod-Connecting (Standard)
⓴	32 874 06-S	2	Piston W/Ring Set (Standard) (Includes 21-22)
⓵	24 018 01-S	4	Retainer-Piston, Pin
⓶	24 108 11-S	2	Ring Set (STD And .08)

Ref	Part No.	Qty.	Description
⓷	12 422 10-S	1	Shim-Camshaft (Yellow .034)
⓸	12 422 09-S	1	Shim-Camshaft (Red .032)
⓹	12 422 13-S	1	Shim-Camshaft (Black .04)
⓺	12 422 07-S	1	Shim-Camshaft (White .028)
⓻	12 422 08-S	1	Shim-Camshaft (Blue .03)
⓼	12 422 11-S	1	Shim-Camshaft (Green .036)
⓽	12 422 12-S	1	Shim-Camshaft (Gray .038)
⓿	32 012 01-S	1	Camshaft Kit
⓾	M-645016-S	1	Screw-HHFTF (M6X1.0X16)
⓿	32 096 04-S	1	Breather Cover ASM
⓿	32 041 01-S	1	Gasket-Cover, Breather
⓿	32 050 01-S	1	Filter-Breather
⓿	28 032 09-S	1	Seal-Shaft, Cross Governor
⓿	24 018 09-S	1	Ring-Retainer
⓿	M-931010-S	1	Washer-Flat (8 Mm)
⓿	24 468 15-S	1	Washer-Flat (1/4)
⓿	24 144 38-S	1	Shaft-Cross, Governor



Oil Pan and Lubrication Assembly Kohler SV730-0018

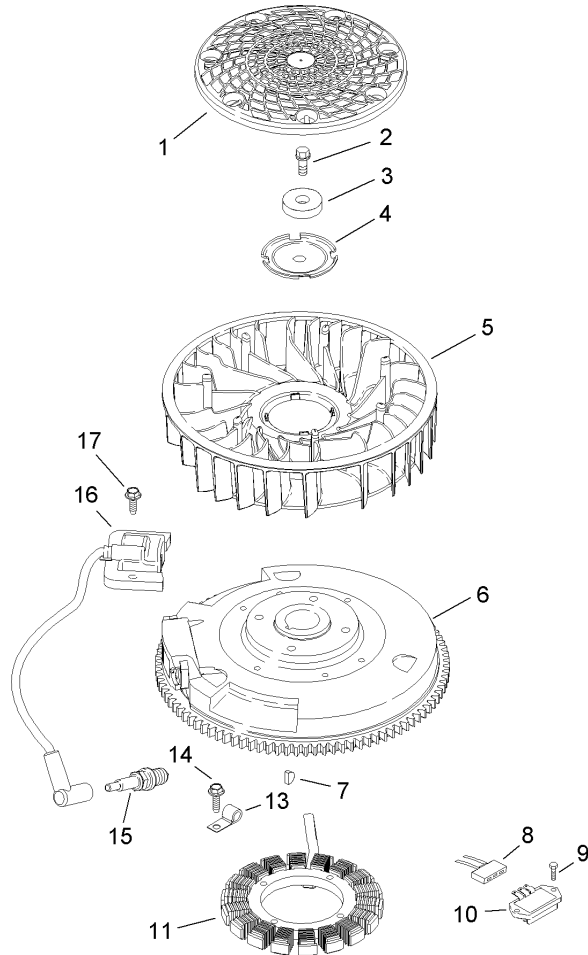
Ref	Part No.	Qty.	Description
❶	32 199 02-S	1	Oil Pan ASM (Includes 2-15)
❷	32 086 01-S	2	Screw-Hex Flange Thread Forming (Shoulder)
❸	32 393 08-S	1	Oil Pump ASM
❹	24 043 12-S	1	Governor Gear Kit W/Pin (Includes 5)
❺	12 380 01-S	1	Pin-Regulating, Governor
❻	24 448 02-S	1	Tab-Locking
❼	12 144 02-S	1	Shaft-Gear, Governor
❽	52 032 08-S	1	Seal-Oil (PTO End)
❾	32 123 01-S	1	Tube-Oil Feed (Filter To Oil Pan)
❿	32 123 03-S	1	Tube-Oil Feed (Oil Pan To Filter)
⓫	24 153 01-S	2	O-Ring
⓬	32 029 07-S	1	Adapter-Oil Filter (Includes 13-14)
⓭	25 139 60-S	1	Plug-Hex, Countersunk (1/8)
⓮	32 153 02-S	1	O-Ring-Oil Filter Adapter
⓯	32 136 03-S	1	Nipple-Oil Filter
⓰	98020	1	Filter-Oil
⓱	24 086 17-S	1	Screw-HF (M8X1.25X45)
⓲	24 086 16-S	9	Screw-HF (M8X1.25X45)
⓳	25 139 57-S	1	Plug-Square Head Solid (3/8)



Head, Valve and Breather Assembly Kohler SV730-0018

Ref	Part No.	Qty.	Description
❶1	24 755 141-S	1	Plain Valve Cover ASM (Includes 2-3)
❶2	24 153 28-S	1	O-Ring
❶3	M-651030-S	8	Screw-Hex Flange (M6X1.0X30)
❶4	32 318 01-S	1	Head ASM (No.1 Cylinder)
❶5	12 755 03-S	8	Retainer Kit
❶6	12 173 01-S	4	Cap-Spring, Valve
❶7	24 089 02-S	4	Spring-Valve
❶8	235011-S	4	Retainer-Spring
❶9	66 032 05-S	2	Seal-Stem, Valve
❶10	24 017 01-S	2	Valve-Intake (Standard)
❶10	24 017 02-S	2	Valve-Intake (.25)
❶11	24 016 01-S	2	Valve-Exhaust (Standard)
❶11	24 016 02-S	2	Valve-Exhaust (.25)
❶12	32 019 01-S	4	Tappet
❶13	32 411 02-S	4	Rod-Push
❶14	24 841 03-S	2	Cylinder Head Gasket Kit
❶15	32 318 02-S	1	Head ASM (No.2 Cylinder)
❶16	32 186 02-S	4	Arm-Rocker
❶17	32 100 04-S	4	Nut-Hex (M10X0.75)
❶18	32 086 03-S	4	Screw-Set
❶19	32 599 01-S	4	Pivot-Rocker Arm
❶20	12 086 16-S	8	Screw-Hex Flange (M10X1.5X90)
❶21	32 086 04-S	4	Screw-Hex Flange (M6X1.0X45)

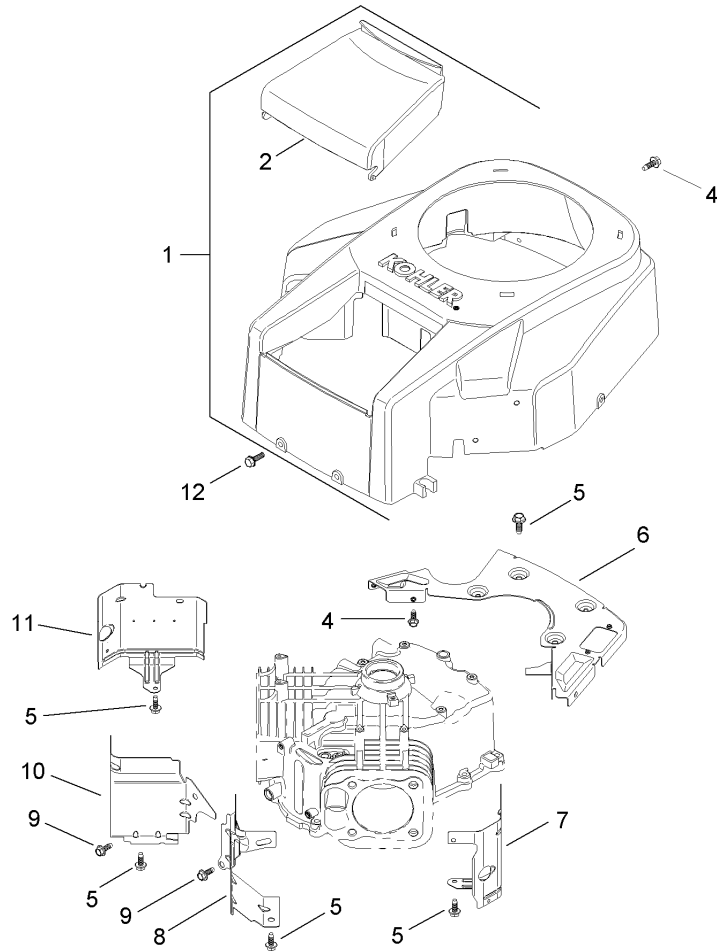
Ref	Part No.	Qty.	Description
❶22	32 096 06-S	1	Breather Valve Cover ASM (Includes 2)
❶23	24 445 01-S	1	Strap-Lifting
❶24	24 041 49-S	1	Gasket-Manifold, Exhaust
❶25	24 153 27-S	1	O-Ring, Intake Port



Ignition and Electrical Assembly Kohler SV730-0018

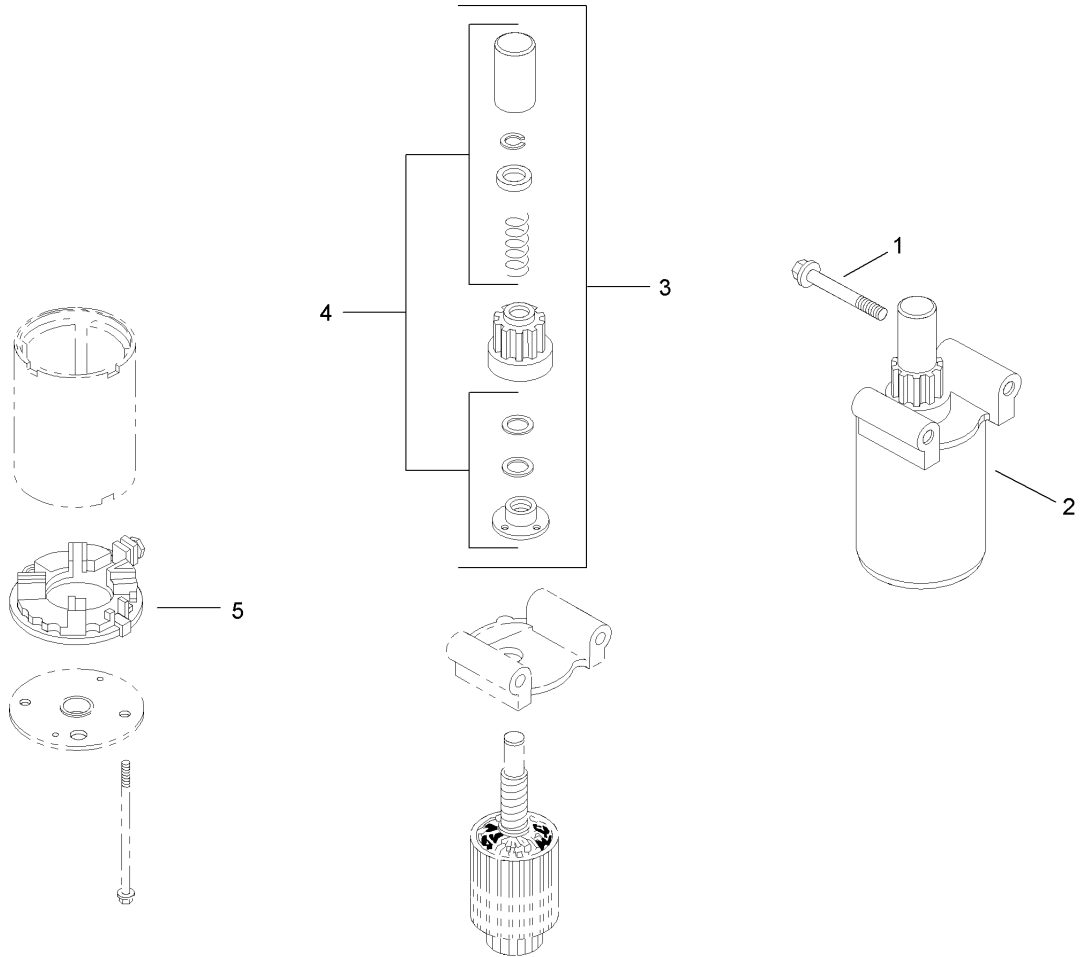
Ref	Part No.	Qty.	Description
❶	32 162 03-S	1	Screen-Grass
❷	12 086 14-S	1	Screw-Hex, Flange (M10X1.5X45)
❸	12 468 03-S	1	Washer-Flat (3/8)
❹	20 146 02-S	1	Plate-Fan Mounting
❺	32 157 01-S	1	Fan
❻	32 025 08-S	1	Flywheel
❼	X-42-15-S	1	Key (3/16 X 5/8)
❽	236602-S	1	Connector (3 Contact)
❾	M-551016-S	2	Screw-Heavy Hex Flange (M5X0.8X16)
❿	41 403 09-S	1	Rectifier-Regulator
⓫	32 085 01-S	1	15 Amp Stator Kit
⓬	235173-S	1	Clip-Cable
⓭	M-548025-S	2	Screw-HHFTF (M5X0.8X25)
⓮	77-7330	1	Plug-Spark
⓯	24 584 01-S	2	Module-Ignition
⓰	M-545020-S	4	Screw-HHFTF (M5X0.8X20)
⓱	32 176 04-S	1	Harness-Wiring
⓲	25 454 03-S	2	Tie-Wire

--	--	--	--



Blower Housing and Baffle Assembly Kohler SV730-0018

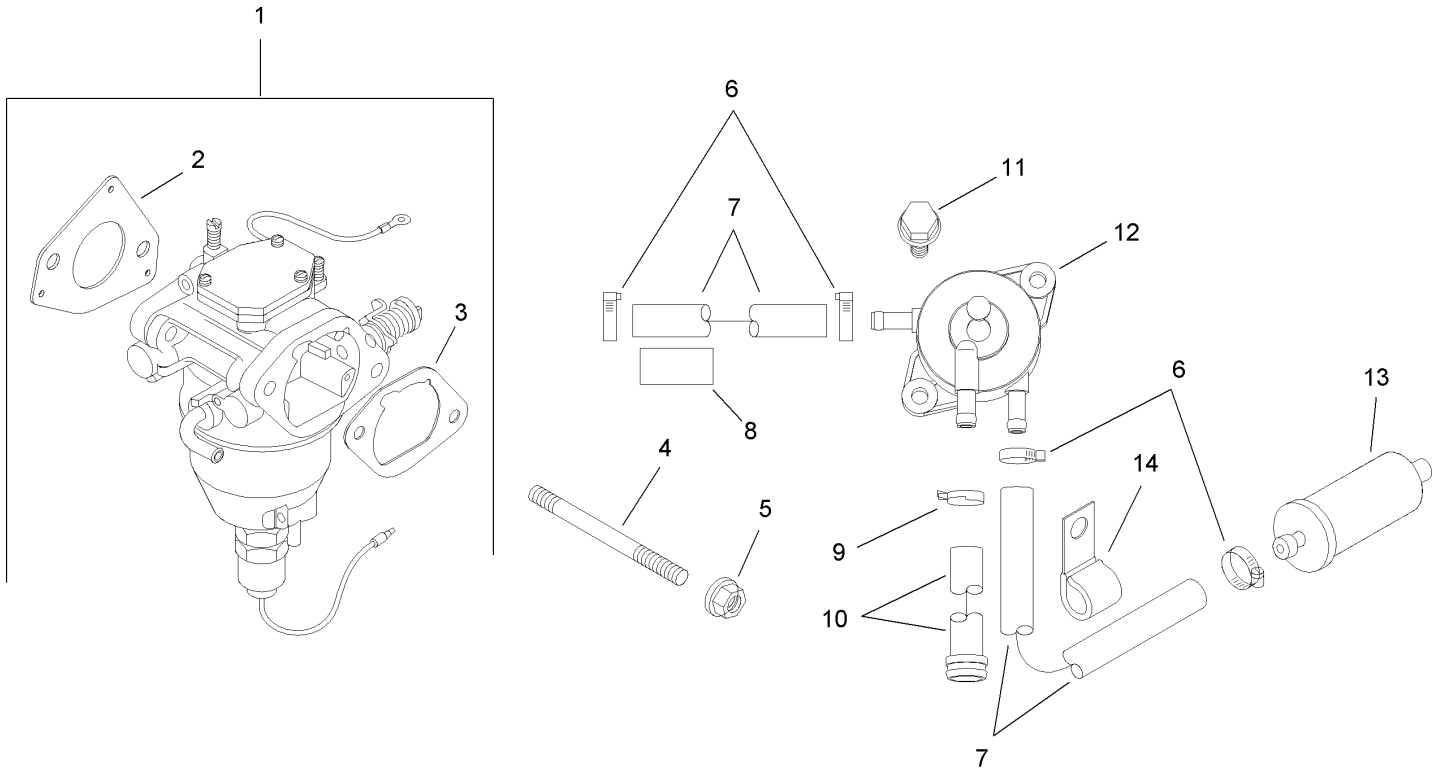
Ref	Part No.	Qty.	Description				
❶	32 027 03-S	1	Housing-Blower (Includes 2 And 41 037 10-S)				
❷	32 096 08-S	1	Cover-Cleaner, Air				
❸	M-545016-S	6	Screw-HHFTF (M5X0.8X16)				
❹	M-645016-S	8	Screw-HHFTF (M6X1.0X16)				
❺	32 146 05-S	1	Plate-Backing W/Rectifier-Regulator Opening				
❻	32 063 05-S	1	Baffle-Cylinder Barrel (No.2 Side)				
❼	32 063 02-S	1	Baffle-Valley (No.2 Side)				
❽	M-545010-S	2	Screw-HHFTF (M5X0.8X10)				
❾	32 063 03-S	1	Baffle-Valley (No.1 Side)				
❿	32 063 06-S	1	Baffle-Cylinder Barrel (No.1 Side)				
⓫	24 086 12-S	2	Screw-Hex Cap (M6X1.7X18)				
⓬	41 037 10-S	1	Nameplate-Service				



Starting System Assembly Kohler SV730-0018

Ref	Part No.	Qty.	Description
❶	M-839080-S	2	Screw-Hex, Flange (M8X1.25X70)
❷	32 098 01-S	1	Starter ASM (Includes 3-5)
❸	12 755 39-S	1	Drive Kit
❹	12 755 38-S	1	Drive Parts Kit
❺	12 243 04-S	1	Cap-End, Commutator

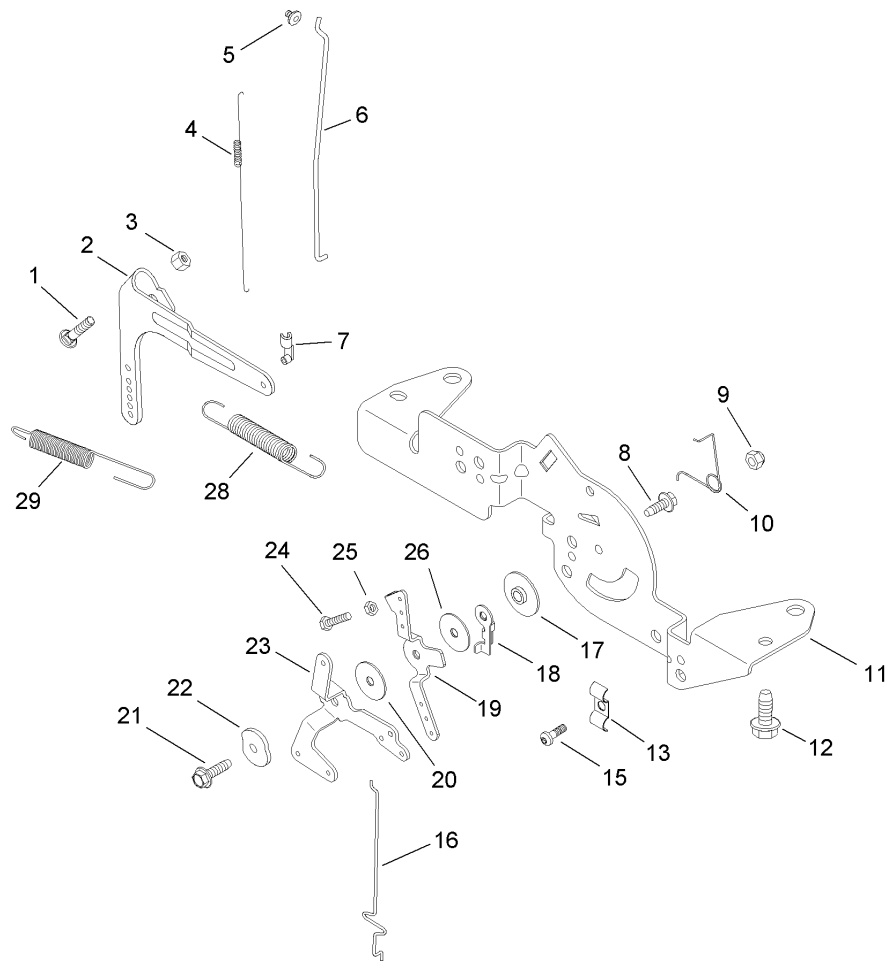
--	--	--	--



Fuel System Assembly Kohler SV730-0018

Ref	Part No.	Qty.	Description
1	32 853 04-S	1	Carburetor Kit W/Gaskets (Includes 2-3)
2	24 041 52-S	1	Gasket-Carburetor
3	24 041 14-S	1	Gasket-Base, Air Cleaner
4	M-629105-S	2	Stud-Carburetor
5	M-641060-S	2	Nut-Hex, Flange (M6X1.0)
6	25 237 14-S	4	Clamp-Hose
7	25 111 34-S	2	Line-Fuel (24 Inch, Cut to needed Length)
8	25 431 10-S	1	Sleeve-Anti-Abrasion
9	25 237 01-S	1	Clamp-Hose
10	32 326 02-S	1	Hose-Pump, Fuel
11	24 086 12-S	2	Screw-Hex Cap (M6X1.7X18)
12	24 393 16-S	1	Pump-Pulse, Fuel
13	98021	1	Filter-Fuel
14	47 154 01-S	1	Clip-Cable
15	24 757 36-S	1	Service Choke Repair Kit
16	24 757 38-S	1	Service Gasket Repair Kit
17	24 757 44-S	1	Float Kit W/Gaskets
18	24 757 45-S	1	Solenoid Valve Kit W/Gaskets
19	24 757 46-S	1	Overhaul Kit W/Gaskets

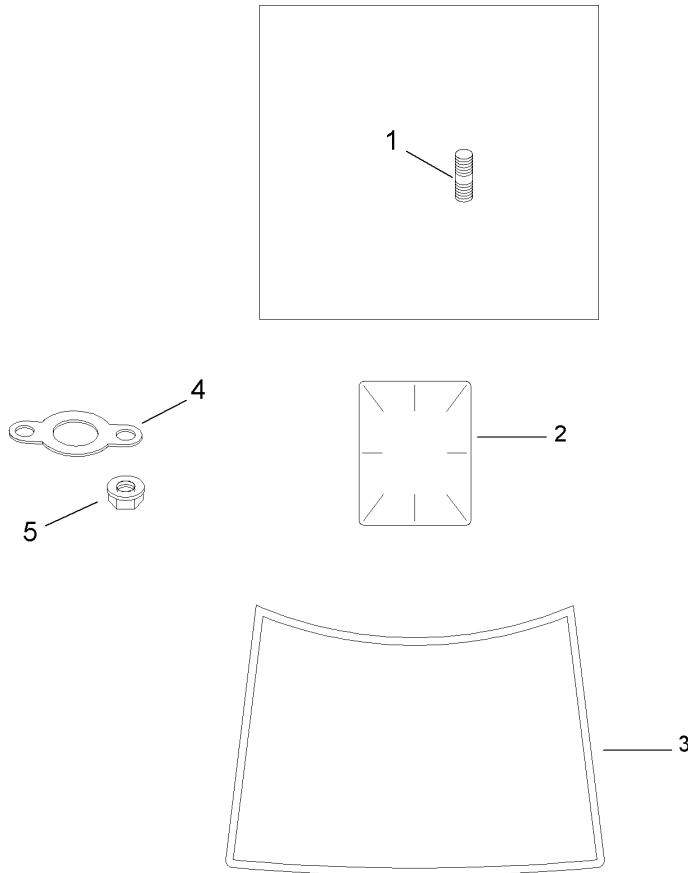
Ref	Part No.	Qty.	Description
20	24 757 18-S	1	Overhaul Kit W/Gaskets
21	24 757 19-S	1	Choke Service Repair Kit
22	24 757 20-S	1	Gasket Service Repair Kit
23	24 757 22-S	1	Solenoid Valve Service Kit W/Gaskets



Engine Control Assembly Kohler SV730-0018

Ref	Part No.	Qty.	Description
❶	24 211 03-S	1	Bolt-Square Neck, Round Head
❷	24 090 33-S	1	Lever-Governor
❸	M-641060-S	1	Nut-Hex, Flange (M6X1.0)
❹	24 089 01-S	1	Spring-Linkage
❺	25 158 08-S	1	Bushing-Retaining, Linkage
❻	24 079 04-S	1	Linkage-Throttle
❼	25 158 11-S	1	Bushing-Linkage, Throttle
❽	M-545016-S	1	Screw-HHFTF (M5X0.8X16)
❾	M-547050-S	1	Nut-Hex, Lock (M5X0.8)
❿	24 089 03-S	1	Spring-Return, Choke
⓫	24 126 161-S	1	Bracket-Control
⓬	M-645016-S	4	Screw-HHFTF (M6X1.0X16)
⓭	47 237 02-S	1	Clamp-Dual Conduit
⓮	24 086 43-S	1	Screw-Thread Forming
⓯	24 079 22-S	1	Linkage-Choke
⓰	24 112 27-S	1	Spacer-Control
⓱	24 090 47-S	1	Lever-Actuator, Throttle
⓲	24 090 13-S	1	Lever-Control, Throttle
⓳	24 468 01-S	1	Washer-Flat (5.5 Mm)
⓴	M-545020-S	1	Screw-HHFTF (M5X0.8X20)
⓵	41 468 03-S	1	Washer-Spring (1/4)
⓶	24 090 05-S	1	Lever-Choke
⓷	M-403025-S	1	Screw-Hex Head Cap (M4X0.7X25)

Ref	Part No.	Qty.	Description
❷❸	M-446030-S	1	Nut-Hex (M4X0.7)
❷❹	24 468 20-S	1	Washer-Flat
❷❺	24 089 55-S	1	Spring-Governor
❷❻	24 089 25-S	1	Spring-Governor



Artwork is representative.

Actual labels may differ depending on model and specification number.

Exhaust Stud, Gasket and Decal Assembly Kohler SV730-0018

Ref	Part No.	Qty.	Description
❶	25 072 04-S	4	Stud (M8X1.25X33)
❷	25 113 39-S	1	Decal-Clear Laminate
❸	32 113 08-S	1	Decal-25 Hp
❹	24 041 49-S	1	Gasket-Manifold, Exhaust
❺	M-841080-S	4	Nut-Hex, Flange (M8X1.25)
❶❷	32 522 03	1	Short Block
❶❸	32 755 01-S	1	Overhaul Kit

--	--	--	--

Attachments and Accessories

For 14AQ81RP544 - GT2200 Garden Tractor

Product Name	Model/Part
Washout Port Kit	112-5803
42 Inch Two-Stage Snowthrower	190-032-101
50 Inch Triple Bagger	190-192-190
46 Inch Front Blade	190-833-000
Spark Plug	77-7330
50 Inch Mulch Kit	77220
10 cu. ft. Dump Cart	79901
10 cu. ft. Poly Dump Cart	79935
Folding Loading Ramp	79949
Sweeper	79985
12 Inch Rear Wheel Weights	81115
Tire Chains (23 x 9.50-12)	82531
Filter-Air	98019
Filter-Oil	98020
Filter-Fuel	98021
Blade Kit (3 Blades, 50 Inch Decks)	98024

NOTES

NOTES

