



Commercial Walk-Behind Mower Fixed Deck T-Bar Gear with 48in TURBO FORCE[®] Cutting Unit

Model No. 30698 - 270000001 and up.

Parts Catalog

Ordering Replacement Parts

To order replacement parts, please supply the part number, the quantity, and the description of each part desired.

Understanding Reference Numbers

Each Identified part in an illustration has a reference number. The reference number for a part also appears in the parts list, along with other information about the part.

This catalog uses two special reference number formats, one to indicate parts in a service assembly and another to indicate the quantity of a given part in an illustration.

Service Assembly Reference Numbers

Parts in service assemblies have reference numbers in the form a:b. The a represents the reference number of the entire service assembly and the b represents a sequential number unique to each part within the service assembly.

For example, a wheel assembly might be identified by reference number 6, the tire by 6:1, the valve by 6:2, and the wheel by 6:3. When you order the assembly identified by reference number 6, you receive all parts identified by reference numbers 6:1, 6:2, and 6:3. However, you may also order any part individually. Reference numbers of this type appear in illustrations and in part lists.

Reference Numbers Indicating Quantity

In an illustration, if a reference number indicates more than one part, the reference number has the form nX y. The n represents the quantity of the part, the X is the multiplication symbol, and the y represents the reference number.

For example, in an illustration, the reference number 2X 37 means that two of the parts identified by reference number 37 are indicated.

Contents

Description	Page	Description	Page
Engine and Fuel Tank Assembly 3	Lubrication Equipment Assembly Kawasaki FH430V-CS25 17
Transmission Drive Assembly 4	Cooling Equipment Assembly Kawasaki FH430V-CS25 18
Drive Wheel and Brake Assembly 6	Electric Equipment Assembly Kawasaki FH430V-CS25 19
Handle and Control Assembly 7	Control Equipment Assembly Kawasaki FH430V-CS25 20
Deck Assembly 8	Carburetor Assembly Kawasaki FH430V-CS25 21
Deck Assembly No. 110-4909 9	Air Filter and Muffler Assembly Kawasaki FH430V-CS25 22
Deflector Assembly No. 110-0758 10	Fuel Tank and Valve Assembly Kawasaki FH430V-CS25 23
Sheave, Spindle and Blade Assembly 11	Starter Assembly Kawasaki FH430V-CS25 24
Idler Assembly 12	Label Assembly Kawasaki FH430V-CS25 25
Caster Assembly 13	Attachments and Accessories List 26
Cylinder and Crankcase Assembly Kawasaki FH430V-CS25 14		
Piston and Crankshaft Assembly Kawasaki FH430V-CS25 15		
Valve and Camshaft Assembly Kawasaki FH430V-CS25 16		

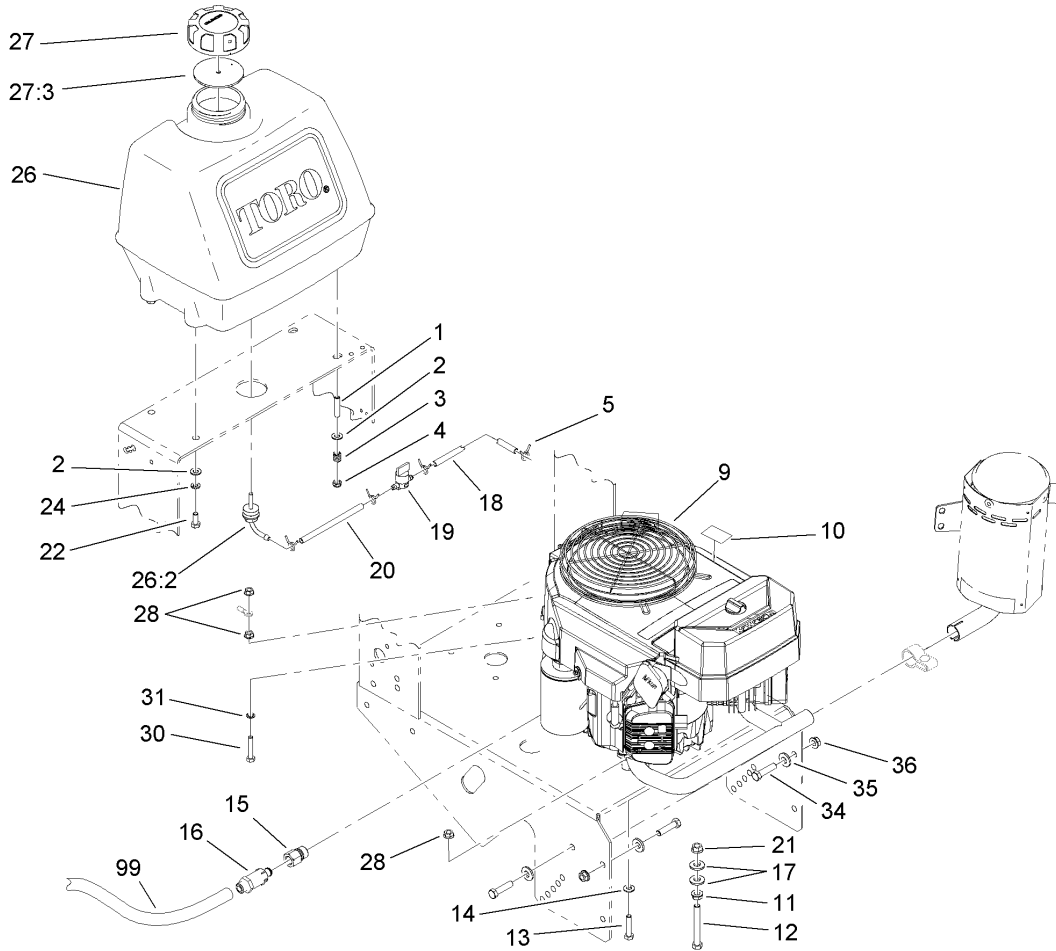
Part Description Abbreviations

Part descriptions in this catalog may include the following abbreviations.

AR. as required	HYD. hydraulic
ASM. assembly	LH. left hand
BBC. blade brake clutch	NI. nylon insert
CARR. carriage	NPTF. national pipe thread fine
DEG. degrees	PFH. phillips flat head
EXT. external	PPH. phillips pan head
FH. flat head	PPHTF. phillips pan head thread forming
GA. gauge	PRH. phillips round head
HD. heavy-duty	PTH. phillips truss head
HF. hex flange	PTO. power-take-off
HH. hex head	RH. right hand
HHF. hex head flange	ROPS. roll-over protection system
HHFTF. hex head flange thread forming	SFH. slotted fillister head
HJ. hex jam	SHH. slotted hex head
HLH. hex lag head	SHWH. slotted hex washer head
HOC. height-of-cut	SPH. slotted pan head
HSBH. hex socket button head	SQH. square head
HSFH. hex socket flat head	SRH. slotted round head
HSH. hex socket head	STD. standard
HWH. hex washer head	TAP. self tapping
HWHTF. hex washer head thread forming	TTH. torx truss head

Footnotes

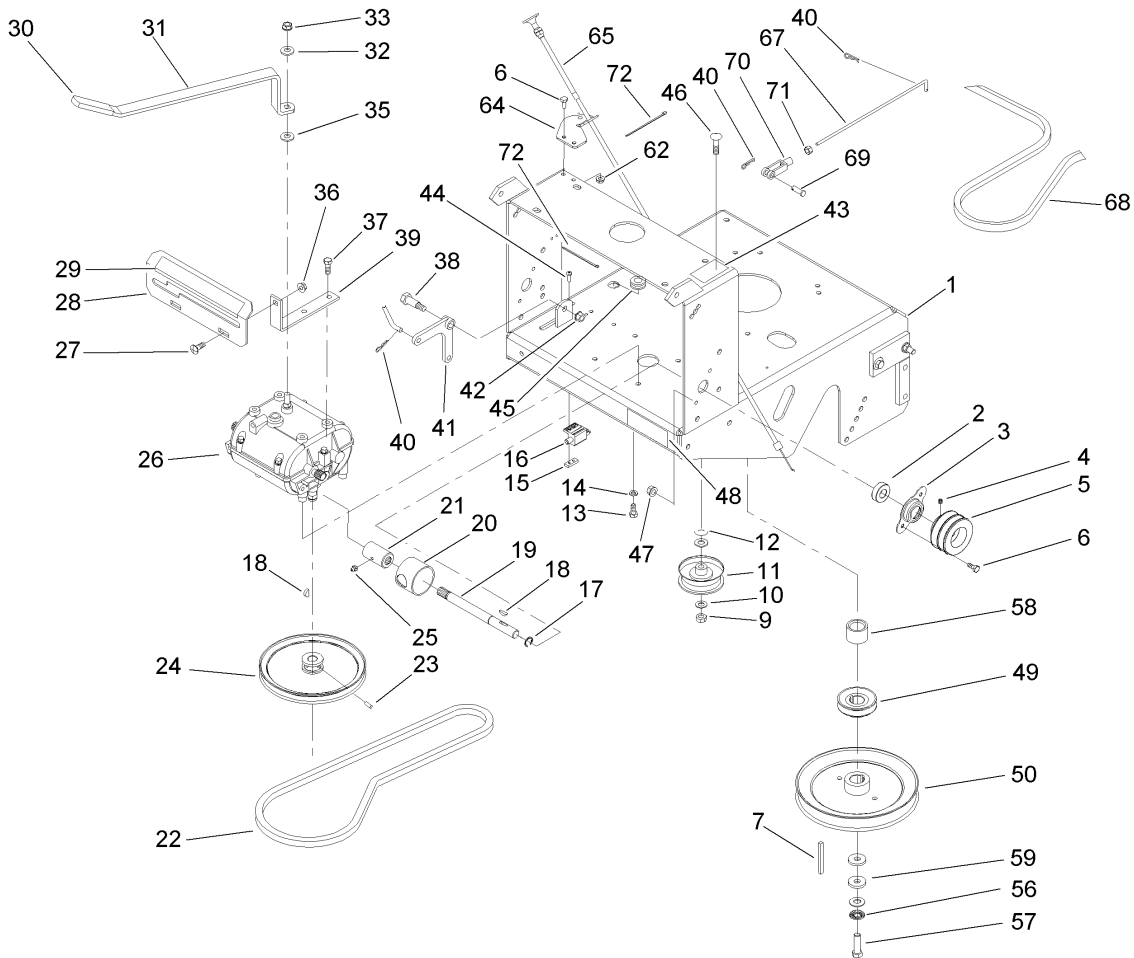
- ❶ Not serviced separately
- ❷ Obtain parts from Peerless Transmissions (model 700-070A)
- ❸ Obtain from your local Kawasaki dealer



Engine and Fuel Tank Assembly

Ref	Part No.	Qty.	Description
1	1-633023	2	Stud
2	3256-23	4	Washer-Flat
3	1-633349	2	Spring-Tank, Fuel
4	3296-47	2	Nut-Lock, NI
5	1-303077	4	Clamp
1 99			
10	106-0699	1	Decal-Warning, Hot Surfaces
11	3290-357	1	Nut-HHF, Whiz
12	323-14	1	Screw-HH
13	322-7	3	Screw-HH
14	1-303334	3	Washer-Spring
15	103-1966	1	Adapter
16	92-6877	1	Valve-Drain, Oil
17	98-5975	2	Washer-Belleville
18	109-0293	1	Hose-Fuel
19	1-603770	1	Valve-Fuel
20	109-0306	1	Hose-Fuel
21	32128-21	1	Nut-HF
22	322-3	2	Screw-HH
24	1-805005	2	Washer-Lock
26	106-0730	1	Fuel Tank ASM
26:2	103-2605	1	Fitting-Fuel, Bulkhead
27	88-3980	1	Gas Cap ASM
27:3	88-4010	1	Gasket-Cap, Gas

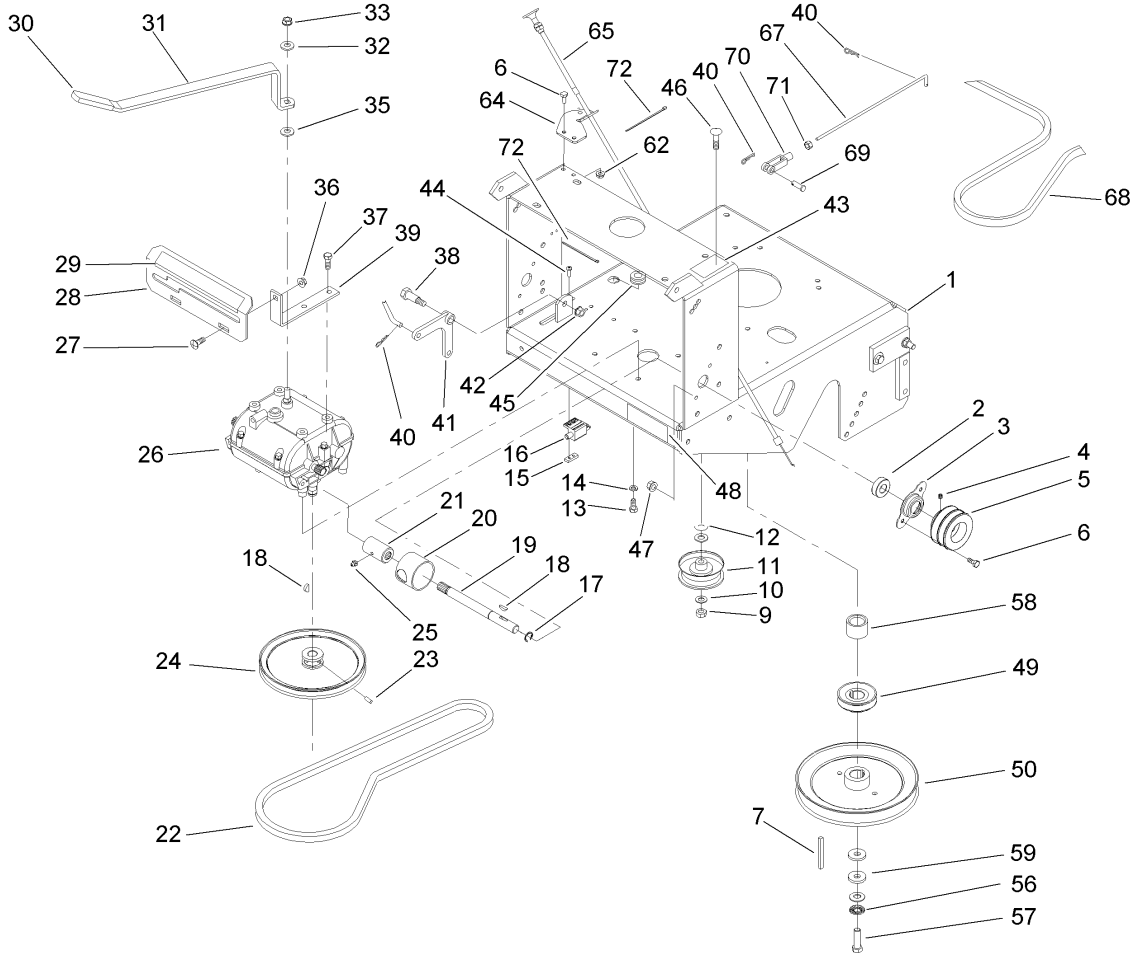
Ref	Part No.	Qty.	Description
28	32128-20	5	Nut-HF
30	322-9	1	Screw-HH
31	3254-2	1	Washer-Lock, Internal
34	323-8	8	Screw-HH
35	98-5975	8	Washer-Belleville
36	3290-357	8	Nut-HHF, Whiz
99	103-1964	1	Hose-Drain, Oil



Transmission Drive Assembly

Ref	Part No.	Qty.	Description
1	103-9897-01	1	Deck-Engine
2	1-323252	2	Bearing-Shaft
3	1-323254	2	Flange-Output
4	1-803310	2	Screw-Set
5	103-6511	2	Sheave-Transmission
6	321-3	6	Screw-HH
7	103-4177	1	Key
9	3296-39	1	Nut-Lock, NI
10	3256-24	1	Washer-Flat
11	1-323285	1	Idler-Drive, Transmission
12	3256-5	2	Washer-Flat
13	322-3	4	Screw-HH
14	1-805005	4	Washer-Lock
15	1-633181	1	Plate-Tapped
16	1-513152	1	Switch-Closed, Normally
17	32151-62	2	Ring-Retaining
18	3257-5	3	Key-Woodruff
19	1-323502	2	Shaft-Transmission
20	51-4220	2	Guard-Coupler
21	1-323680	2	Coupler
22	1-323630	1	V-Belt
23	3245-41	2	Screw-HSH
24	1-323278	1	Sheave-Transmission
25	302-19	2	Fitting-Grease

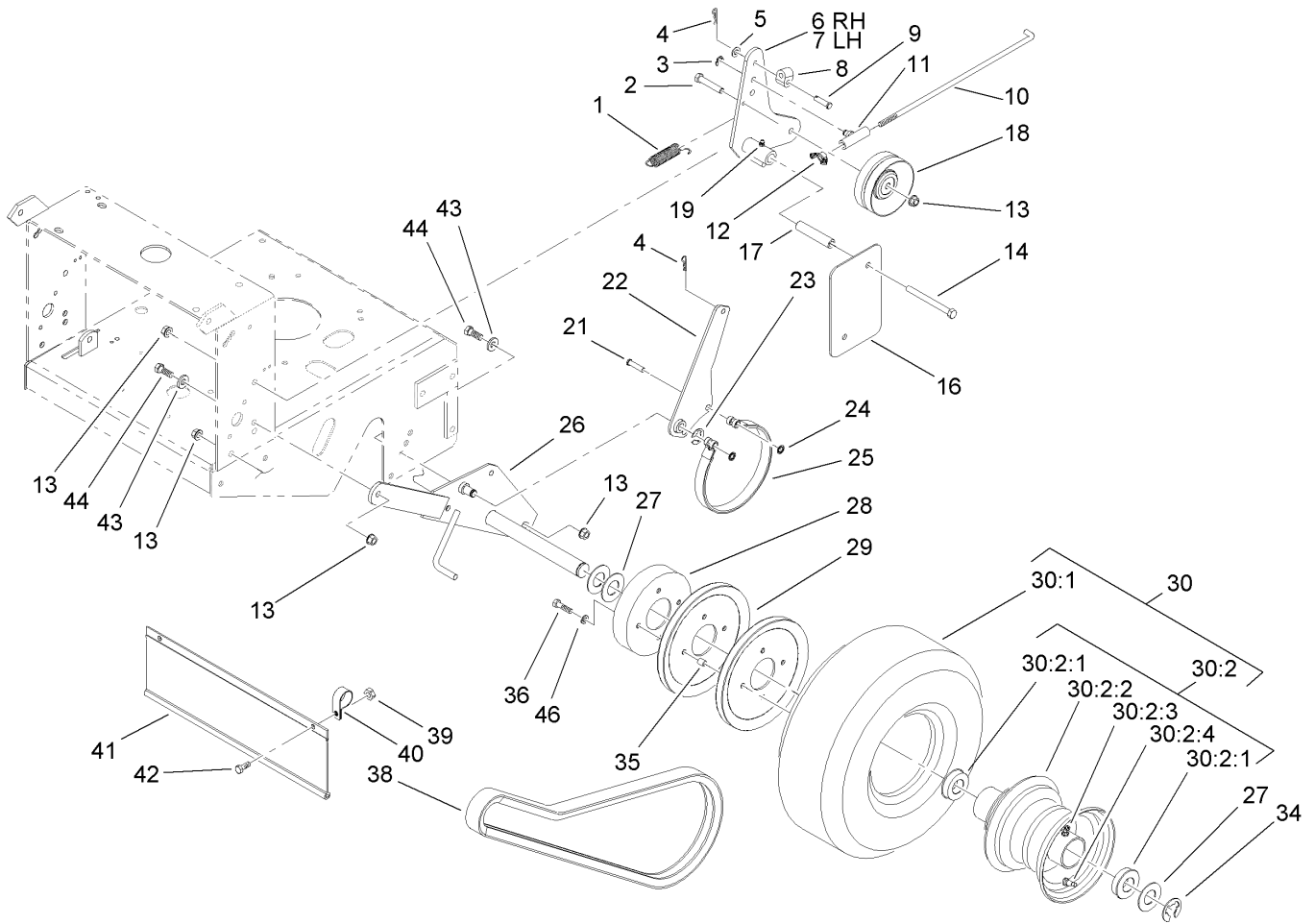
Ref	Part No.	Qty.	Description
26	1-323500	1	Transmission
27	3230-1	2	Bolt-CARR
28	1-323387-03	1	Plate-Shift
29	98-3256	1	Decal-Speed, Ground
30	1-303020	1	Grip-Lever
31	98-3274-03	1	Lever-Shift
32	98-5975	1	Washer-Belleville
33	3296-6	1	Nut-Lock
35	1-323379	1	Washer
36	32128-20	2	Nut-HF
37	9264964	4	Screw-HWH, Thread Cut
38	1-603403	1	Bolt-Shoulder
39	1-323389-03	2	Bracket-Plate, Shift
40	1-806003	3	Pin-Hair
41	1-303186	1	Bellcrank
42	32128-21	1	Nut-HF
43	95-2814	1	Decal-Shut Off, Fuel
44	3290-500	2	Screw-PPH
45	1-543296	1	Grommet
46	3231-6	1	Screw-CARR
47	3296-42	4	Nut-Lock, NI
48	98-0776	1	Decal-Caution
49	103-1666	1	Sheave-Transmission
50	110-4890	1	Pulley ASM



Transmission Drive Assembly (continued)

Ref	Part No.	Qty.	Description
56	1-603610	2	Washer-Spring
57	3212-6	1	Screw-HH
58	1-633453	1	Spacer-Clutch
59	1-373034	2	Washer
62	32128-33	2	Nut-HF
64	103-1797-01	1	Bracket-Cable, Choke
65	103-1796	1	Cable-Choke
67	1-323303	1	Linkage-Arm
68	110-0543	1	Belt-V
69	1-808280	1	Pin-Clevis
70	1-303105	1	Yoke-Adjustable
71	3219-2	1	Nut-Hex
72	1-303335	2	Tie-Plastic

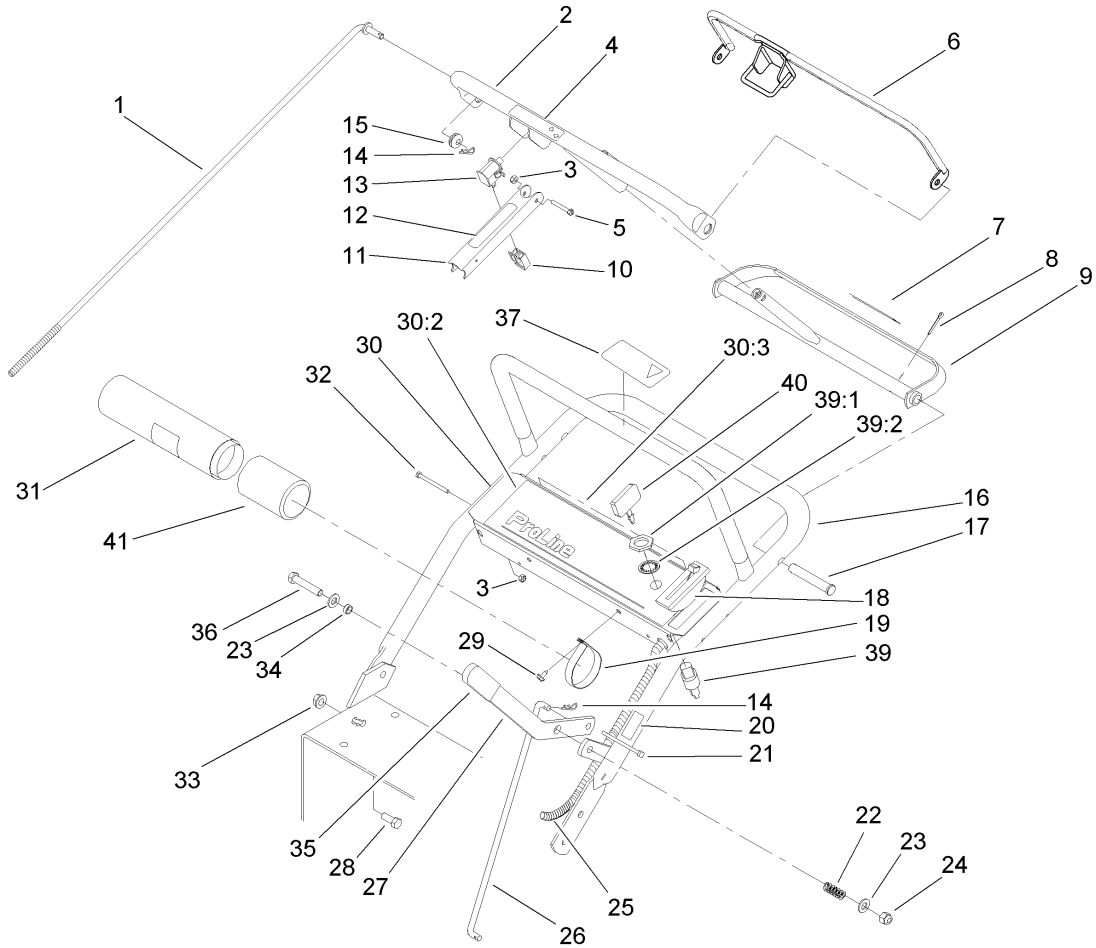
--	--	--	--



Drive Wheel and Brake Assembly

Ref	Part No.	Qty.	Description
1	98-3273	2	Spring-Extension
2	323-10	2	Screw-HH
3	32151-47	2	Ring-Retaining
4	1-806003	4	Pin-Hair
5	3256-23	2	Washer-Flat
6	110-4925-03	1	RH Idler Arm ASM
7	110-4926-03	1	LH Idler Arm ASM
8	74-0521	2	Fitting-Rod
9	283-6	2	Pin-Clevis
10	1-323296	2	Rod-Brake
11	110-5866	2	Swivel-Brake
12	1-513959	2	Wingnut-Nylock
13	3290-357	10	Nut-HHF, Whiz
14	323-16	4	Screw-HH
16	98-5131-01	2	Shield-Wheel, Drive
17	1-323694	4	Spacer-Shield
18	1-323634	2	Idler-Drive, Wheel
19	302-19	2	Fitting-Grease
21	1-323307	4	Pin-Clevis
22	1-322209-03	2	Arm-Brake
23	32120-47	2	Ring-Retaining, External
24	1-803051	4	Nut-Push
25	1-323595	2	Band-Brake
26	1-322212-03	1	Axle ASM

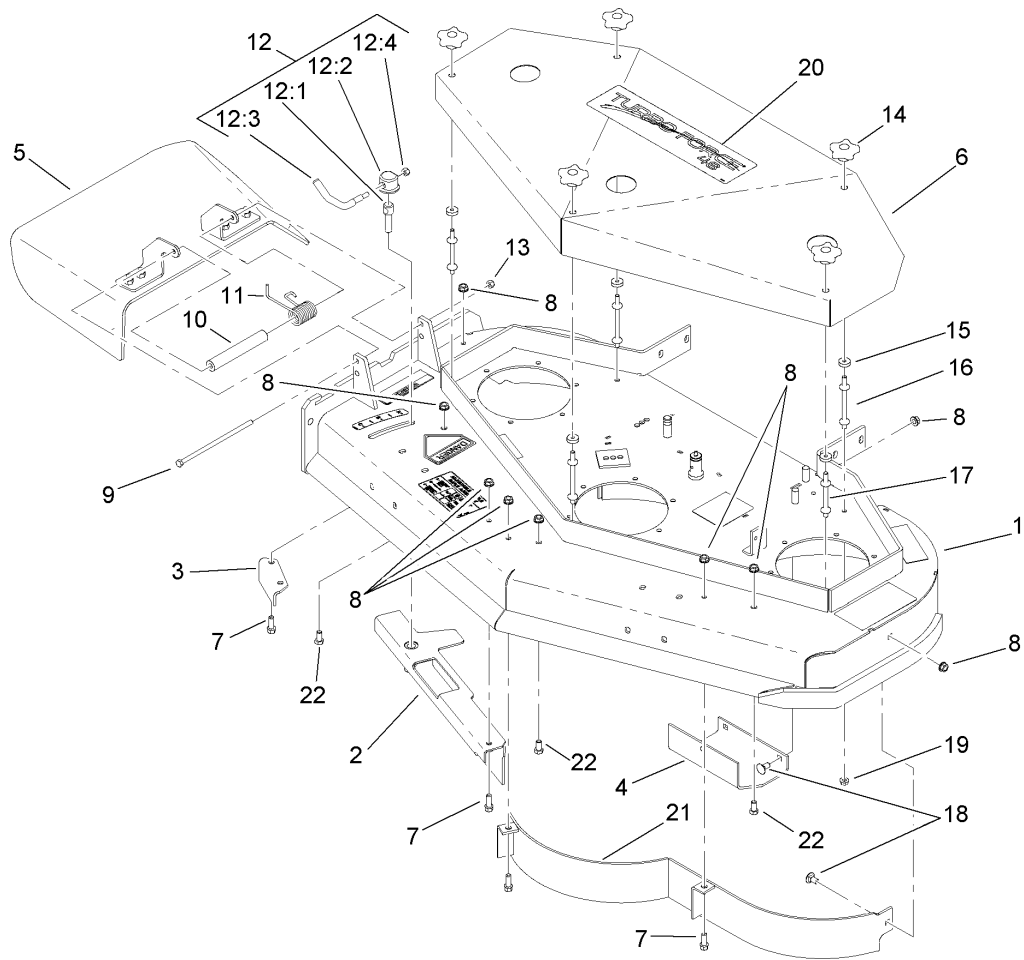
Ref	Part No.	Qty.	Description
27	1-523157	6	Washer-Spacer
27	1-543436	8	Washer-Spacer, 18 GA
28	1-323261	2	Drum-Brake
29	1-323253	4	Sheave-Wheel, Drive
30	1-323719	2	Wheel And Tire ASM
30:1	1-323720	1	Tire-Turfmaster
30:2	1-323328	1	Wheel And Hub ASM
30:2:1	1-323329	2	Bearing-Flanged
30:2:2		1	Rim ASM
30:2:3		1	Fitting-Grease
30:2:4		1	Stem-Valve
34	1-808519	2	Ring-Snap
35	1-323260	8	Spacer-Sheave, Wheel
36	322-6	8	Screw-HH
38	1-323631	2	V-Belt
39	3296-29	2	Nut-Lock, NI
40	2412-104	2	R-Clamp
41	98-3259	1	Shield-Trailing
42	322-3	2	Screw-HH
43	98-5975	4	Washer-Belleville
44	323-6	4	Screw-HH
46	1-805005	8	Washer-Lock



Handle and Control Assembly

Ref	Part No.	Qty.	Description
1	98-3282	2	Rod-Control
2	95-5522-03	1	Control Bar ASM
3	3296-2	5	Nut-Lock
4	82-2290	1	Decal
5	32105-1	1	Screw-SHH
6	82-7680-03	1	Bail ASM
7	82-2280	1	Decal
8	3272-11	2	Pin-Cotter
9	99-8501-03	1	Control-Pivot
10	218-595	1	Connector-Body
11	98-3261-03	1	Lever-Brake, Parking
12	98-3266	1	Decal
13	740275	1	Switch-Seat
14	1-806003	3	Pin-Hair
15	237-141	2	Grommet-Rubber
16	98-3267-03	1	Upper Handle ASM
17	283-55	2	Pin-Clevis
18	100-6450	1	Control-Throttle
19	2412-120	2	R-Clamp
20	95-5537	1	Decal-Engage, Deck
21	1-303335	1	Tie-Plastic
22	1-303160	1	Spring-Compression
23	3256-24	2	Washer-Flat
24	3296-39	1	Nut-Lock, NI

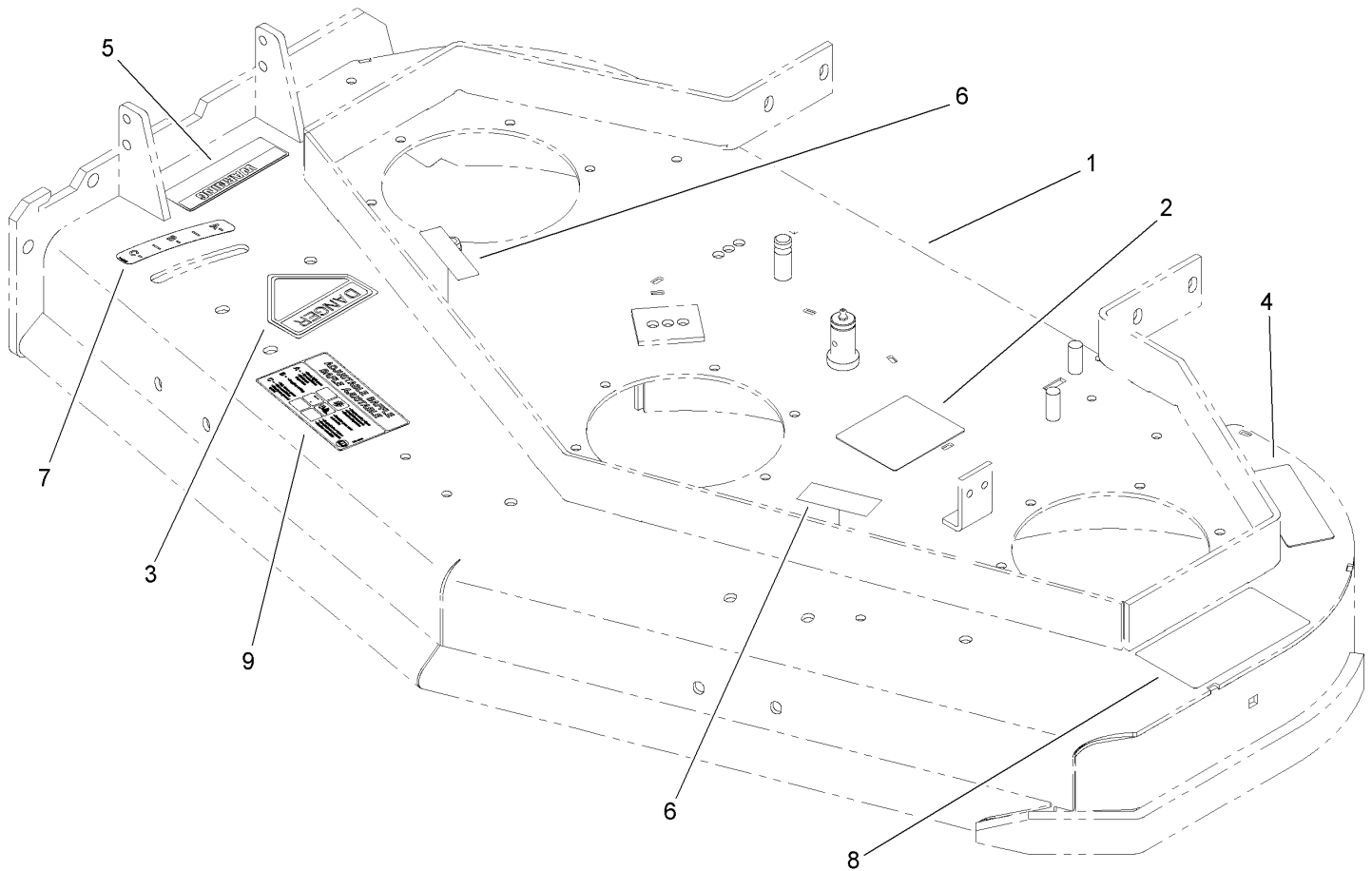
Ref	Part No.	Qty.	Description
25	106-0678	1	Harness-Wire
26	98-3279	1	Linkage-Drive, Blade
27	98-3287-03	1	Lever-Engagement, Blade
28	3234-11	4	Screw-HHF
29	32104-76	2	Screw
30	110-6905	1	Control Panel ASM
30:2	110-6916	1	Decal-Panel, Control
30:3	105-0884	1	Decal-Danger
31	104-7050	1	Housing-Manual
32	32105-14	4	Screw-SHH
33	32128-21	4	Nut-HF
34	99-8509	1	Spacer
35	1-303020	1	Grip-Lever
36	323-10	1	Screw-HH
37	98-4387	1	Decal-Protection, Ear
39	29-5560	1	Switch-On / Off
39:1	218-461	1	Nut-HH
39:2	3254-5	1	Washer-Tooth
40	63-8360	1	Key-Ignition
41	104-7048	1	Cap-Housing



Deck Assembly

Ref	Part No.	Qty.	Description
1	110-4909	1	Deck ASM
2	110-0533-03	1	Baffle-Adjustable
3	110-0744-01	1	Baffle-Discharge
4	107-3166-01	1	Skid
5	110-0758	1	Deflector ASM
6	110-2119-01	1	Cover
7	92-1624	5	Screw
8	3290-357	12	Nut-HHF, Whiz
9	322-50	1	Screw-HH
10	105-4622	1	Spacer
11	104-8554	1	Spring-Torsion
12	107-1664	1	Lever ASM
12:1	106-3239	1	Screw-Lock
12:2	107-1644	1	Cap-Lock
12:3	106-3241	1	Lever-Lock
12:4	3296-29	1	Nut-Lock, NI
13	3296-29	1	Nut-Lock, NI
14	106-4161	5	Knob-Handle
15	1-323417	5	Washer
16	1-303536	3	Stud-Shield, Belt (Long)
17	1-303537	2	Stud-Shield, Belt (Short)
18	3231-1	7	Screw-CARR
19	32128-20	5	Nut-HF
20	110-6920	1	Decal

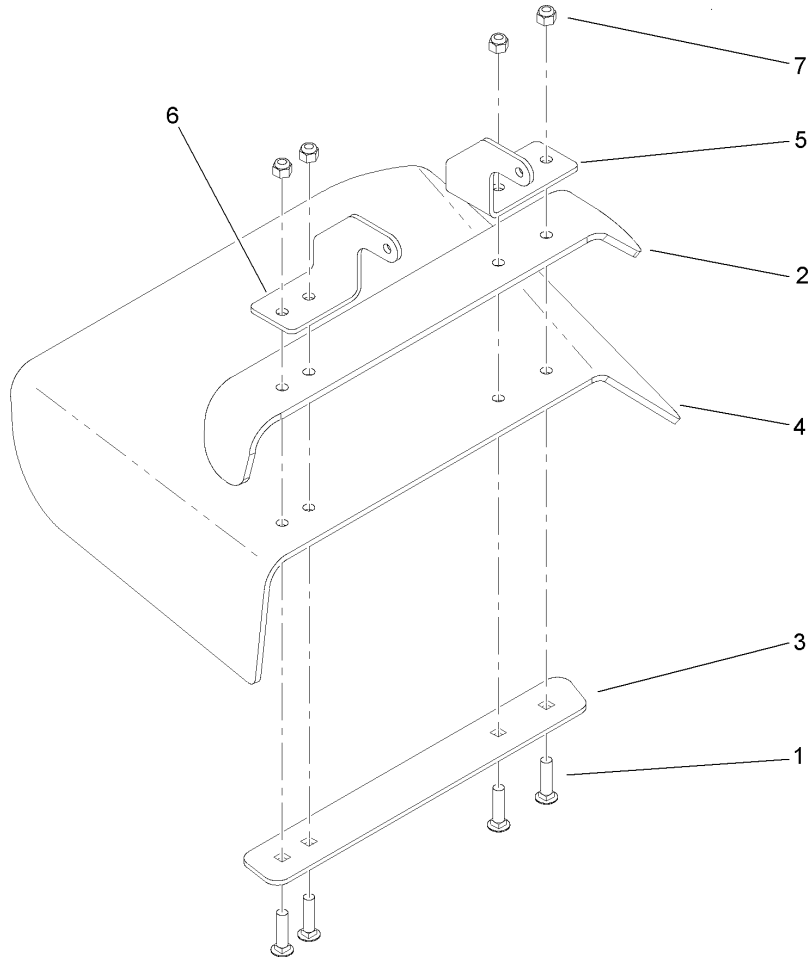
Ref	Part No.	Qty.	Description
21	110-0735-03	1	Baffle ASM
22	323-4	3	Screw-HH



Deck Assembly No. 110-4909

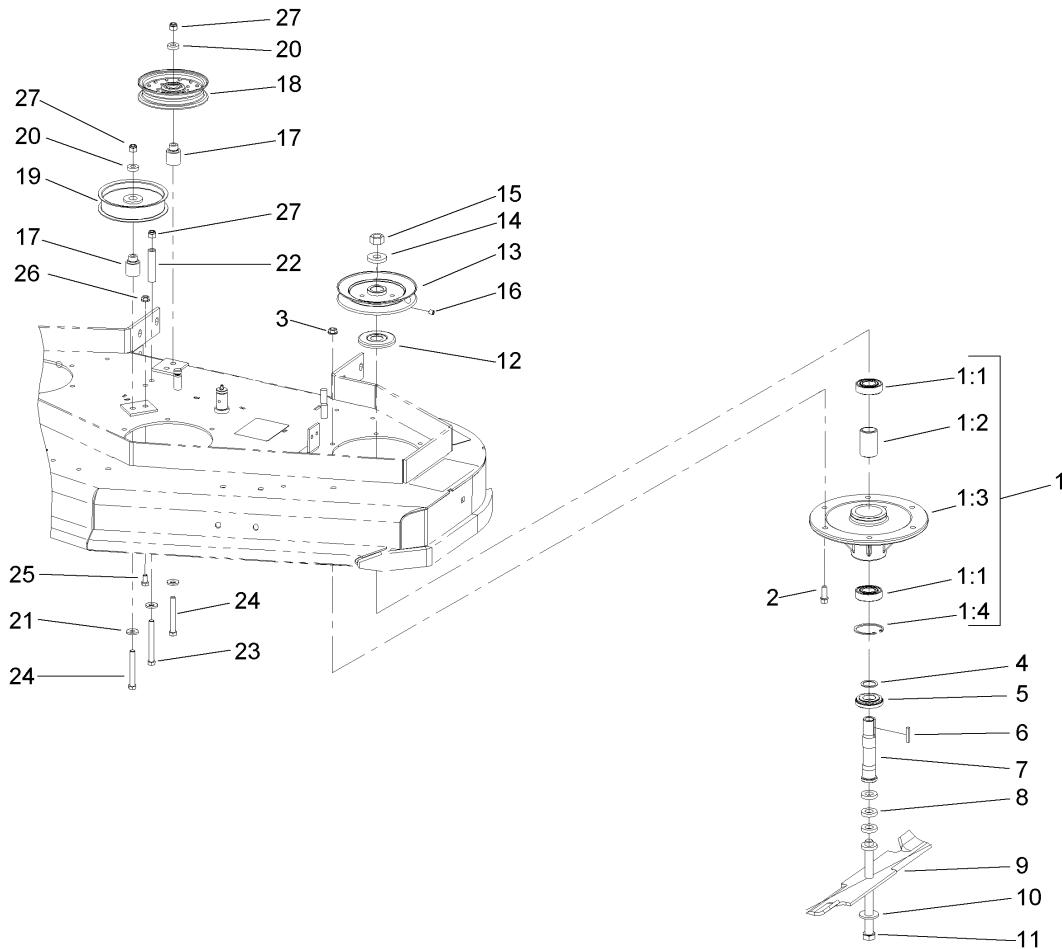
Ref	Part No.	Qty.	Description
❶ 1		1	48 Inch Deck ASM
2	99-3943	1	Decal-Routing, Belt
3	43-8480	1	Decal-Danger
4	98-5130	1	Decal-Torque, Bolt
5	104-8569	1	Decal-Warning
6	98-5954	2	Decal-Cover, Missing
7	110-2067	1	Decal-Setting, Baffle
8	66-1340	1	Decal-Danger
9	110-2068	1	Decal-Adjustment, Baffle

--	--	--	--



Deflector Assembly No. 110-0758

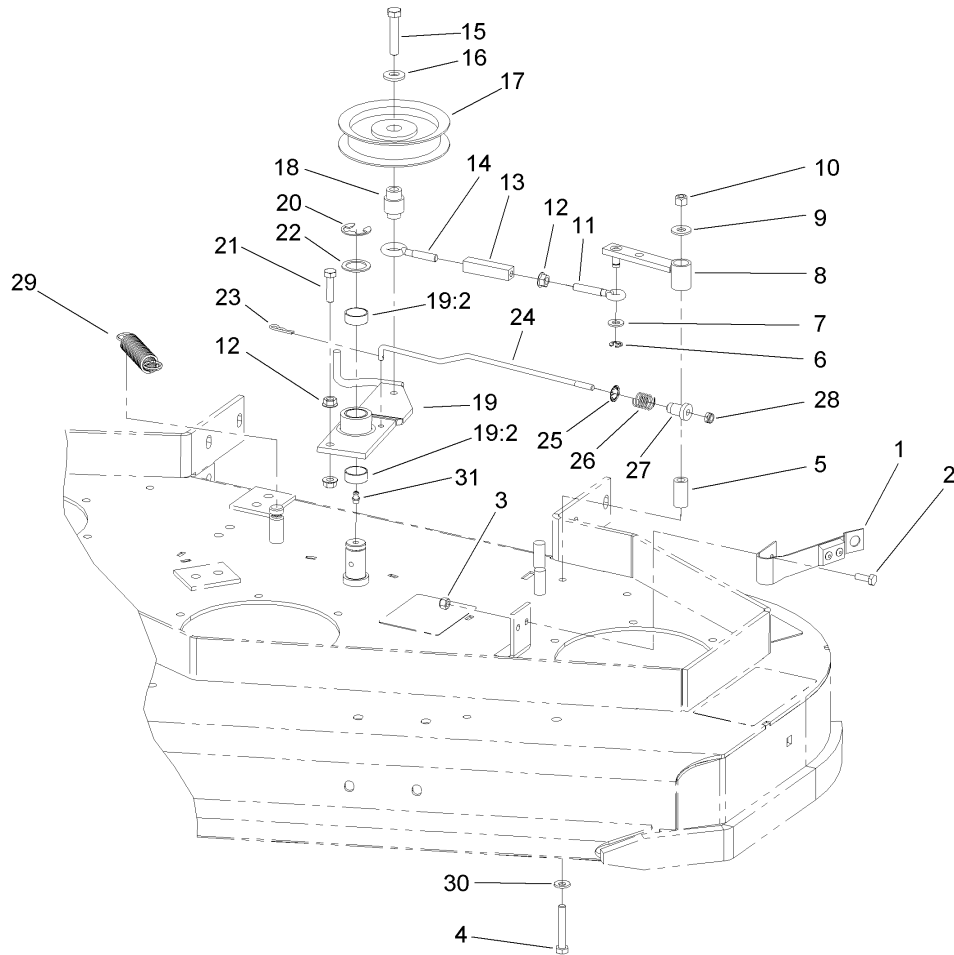
Ref	Part No.	Qty.	Description
1	3231-4	4	Screw-CARR
2	106-3246-01	1	Deflector
3	106-3248-03	1	Strap-Discharge
4	110-0759	1	Deflector-Rubber
5	107-4197-01	1	Bracket-Hinge, Rear
6	107-4196-01	1	Bracket-Hinge, Front
7	3296-39	4	Nut-Lock, NI



Sheave, Spindle and Blade Assembly

Ref	Part No.	Qty.	Description
1	108-6697	3	Spindle Housing ASM
1:1	110-2118	2	Bearing
1:2	110-2116	1	Spacer-Bearing
1:3	108-6694	1	Housing-Spindle
1:4	32120-8	1	Ring-Snap
2	92-1624	18	Screw
3	3290-357	18	Nut-HHF, Whiz
4	110-4888	3	Washer-Spacer
5	103-2535	3	Spacer-Guard, Bottom
6	1-807267	3	Key
7	1-323529	3	Tube-Spindle, Short
8	1-323539	12	Spacer-Drive, Blade
9	107-3192-03	3	Blade-Rotary, 16.5 Inch (High Flow)
10	1-513208	3	Washer-Spring
11	1-800861	3	Screw-Cap, HH
12	103-1330	3	Guard-Bearing, Top
13	1-403183	3	Sheave
14	1-323339	3	Washer-Retainer, Sheave
15	3219-6	3	Nut-Hex
16	1-803310	3	Screw-Set
17	1-403184	2	Bushing-Idler
18	1-403186	1	Idler-Pulley, Flat
19	1-613098	1	Pulley-Idler

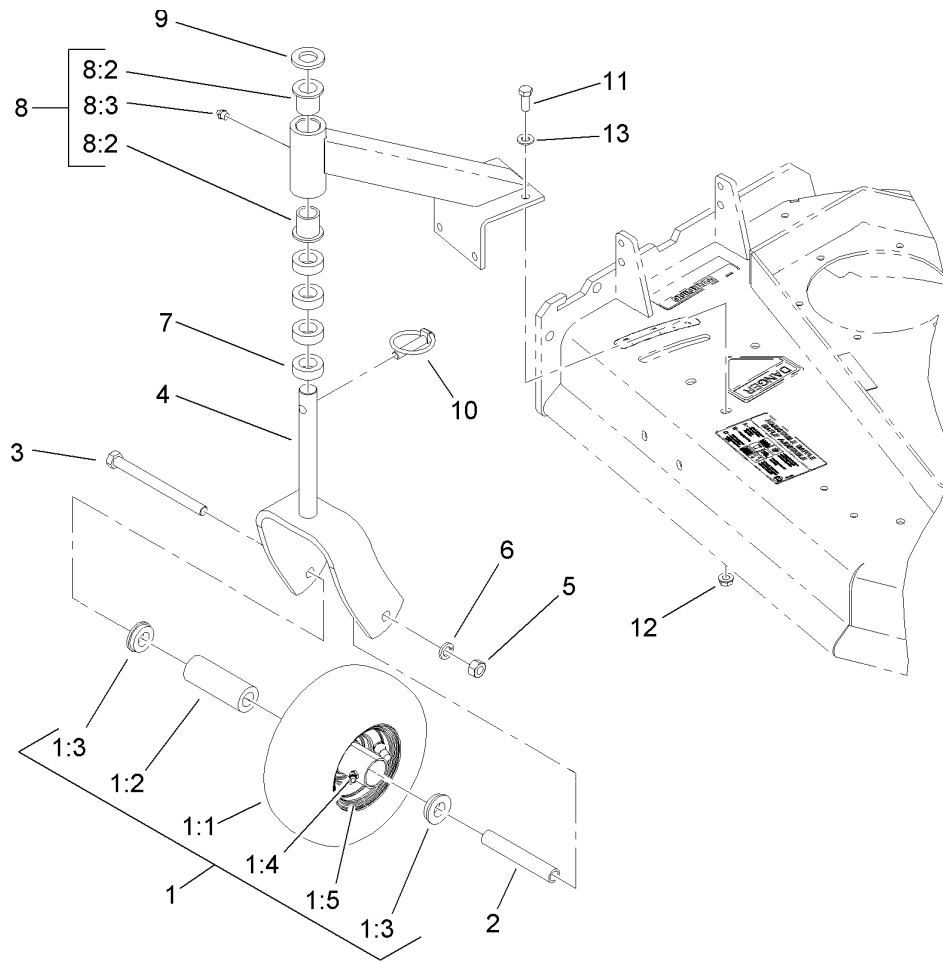
Ref	Part No.	Qty.	Description
20	5-0652	2	Spacer
21	98-5975	3	Washer-Belleville
22	1-403188	1	Spacer
23	323-15	1	Screw-HH
24	323-14	2	Screw-HH
25	322-2	1	Screw-HH
26	32128-20	1	Nut-HF
27	3296-39	3	Nut-Lock, NI



Idler Assembly

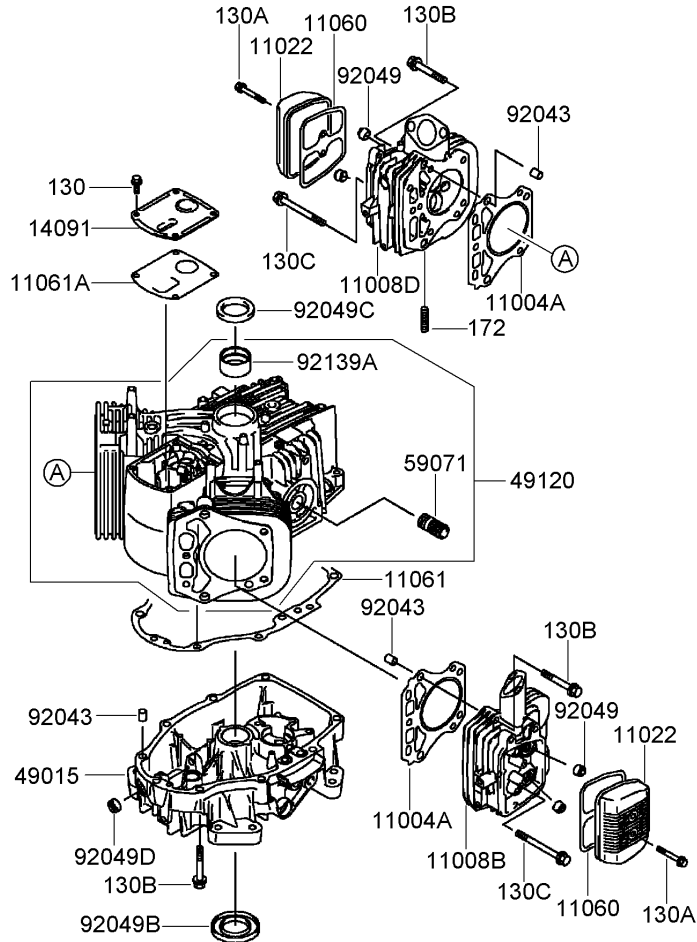
Ref	Part No.	Qty.	Description
1	1-324372	1	Pad And Spring ASM
2	321-4	2	Screw-HH
3	3296-42	2	Nut-Lock, NI
4	322-10	1	Screw-HH
5	1-403179	1	Tube-Pivot
6	32120-35	1	Ring-Retaining, EXT
7	3256-23	1	Washer-Flat
8	1-322235	1	Arm-Assist
9	3256-3	1	Washer-Flat
10	3296-29	1	Nut-Lock, NI
11	1-303238	1	Eyebolt-Thread, RH
12	32128-20	3	Nut-HF
13	1-303236	1	Body-Turnbuckle
14	1-303348	1	Eyebolt-Thread, LH
15	702809	1	Screw-Cap
16	98-5975	1	Washer-Belleville
17	1-603843	1	Pulley-Idler
18	1-303434	1	Bushing-Engagement
19	103-3600	1	Idler Arm ASM
19:2	1-323729	2	Sleeve-Bearing
20	32151-103	1	Ring-Snap
21	322-6	1	Screw-HH
22	1-303352	1	Washer-Spindle
23	1-806003	1	Pin-Hair

Ref	Part No.	Qty.	Description
24	110-4932	1	Rod-Brake
25	1-323748	1	Ring-Push On
26	1-323747	1	Spring-Compression
27	1-323746	1	Spacer-Flanged
28	3296-56	1	Nut-Lock, NI
29	1-323071	1	Spring-Extension
30	1-303334	1	Washer-Spring
31	302-19	1	Fitting-Grease



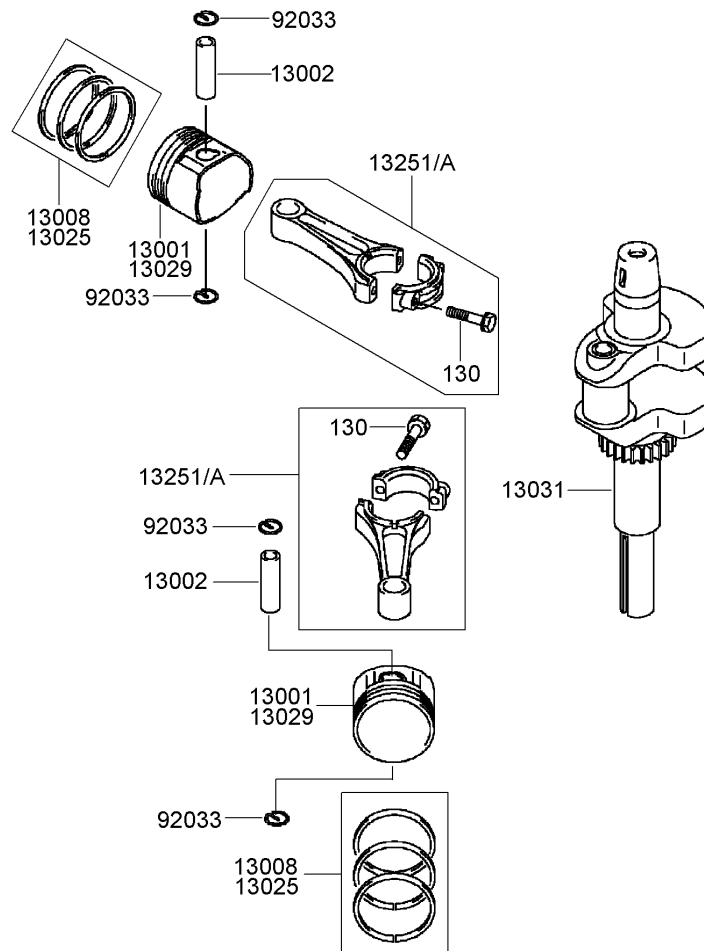
Caster Assembly

Ref	Part No.	Qty.	Description
1	110-5023	2	Wheel And Tire ASM
● 1:1		1	Tire
1:2	1-513809	1	Bearing
1:3	1-513810	2	Bushing
1:4	302-61	1	Zerk
● 1:5		1	Wheel
2	1-513547	2	Spacer
3	325-20	2	Screw-HH
4	1-322145-01	2	Fork
5	3217-9	2	Nut-HH
6	3253-7	2	Washer-Lock
7	1-303314	8	Spacer-Caster
8	110-2130	2	Support ASM
8:2	1-303514	2	Bearing-Flanged
8:3	302-52	1	Fitting-Grease
9	1-513338	2	Washer-Flat
10	1-809020	2	Pin
11	323-6	8	Screw-HH
12	3290-357	8	Nut-HHF, Whiz
13	3256-24	8	Washer-Flat



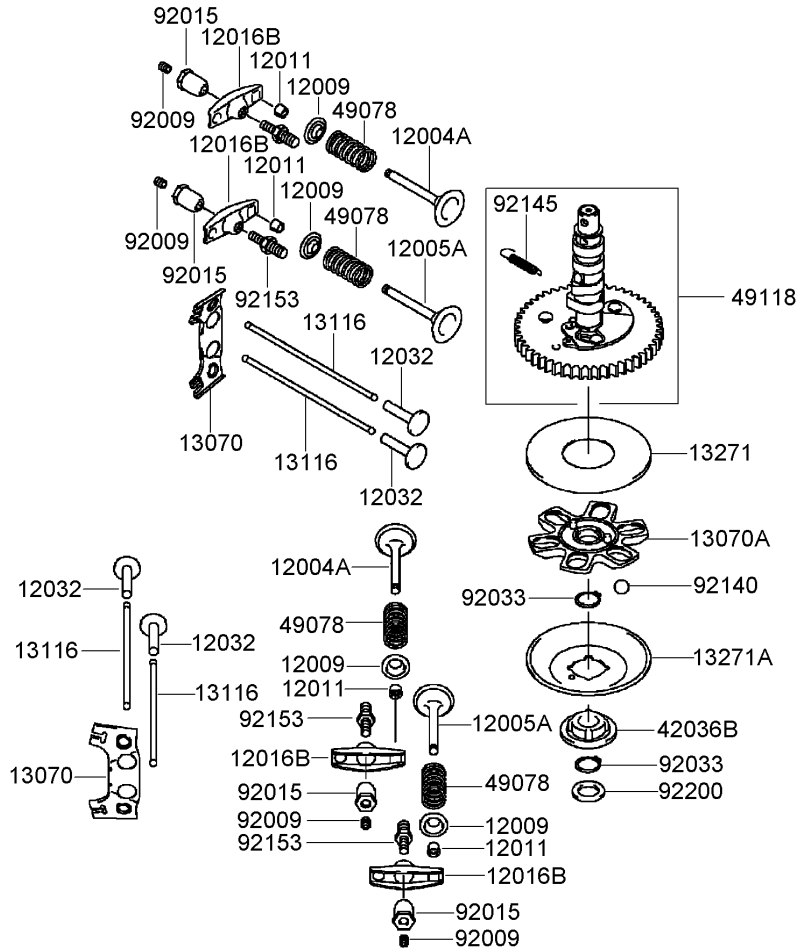
Cylinder and Crankcase Assembly Kawasaki FH430V-CS25

Ref	Part No.	Qty.	Description
● 11004A	11004-7018	2	Gasket-Head
● 11008B	11008-7021	1	Head-Cylinder, No. 2
● 11008D	11008-7022	1	Head-Cylinder, No. 1
● 11022	11022-7003	2	Case-Rocker
● 11060	11060-7001	2	Gasket-Case, Rocker
● 11061	11061-7007	1	Gasket-Cover, Crankcase
● 11061A	11061-7008	1	Gasket-Breather
● 14091	14091-7007	1	Cover
● 49015	49015-7032	1	Cover-Crankcase
● 49120	49120-7015	1	Crankcase
● 59071	59071-2079	1	Joint
● 92043	92043-7001	6	Pin
● 92049	92049-7001	4	Seal-Oil, R V C2 (6X11X10.2)
● 92049B	92049-7015	1	Seal-Oil, S D (35X62X8 L HSH)
● 92049C	92049-7016	1	Seal-Oil, S D (35X48X8 R HSH)
● 92049D	92049-7019	1	Seal-Oil, S O (8X14X5 HSH)
● 92139A	92139-7008	1	Bushing
● 130	130B0612	4	Bolt-Flanged (6X12)
● 130A	130B0640	4	Bolt-Flanged (6X40)
● 130B	130T0850	17	Bolt-Flanged (8X50)
● 130C	130T0875	2	Bolt-Flanged (8X75)
● 172	172G0818	4	Bolt-Stud (8X18)



Piston and Crankshaft Assembly Kawasaki FH430V-CS25

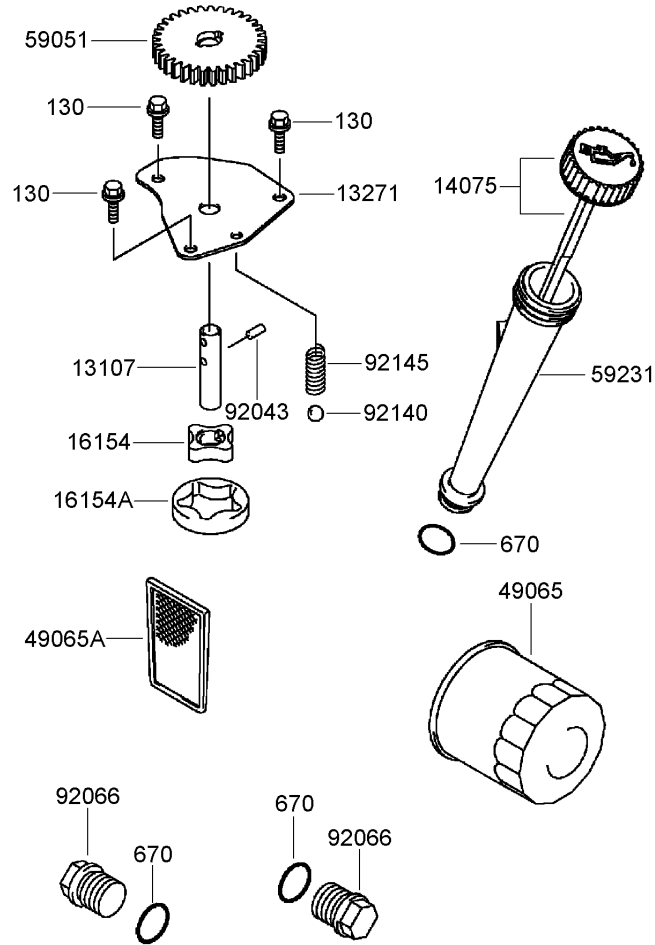
Ref	Part No.	Qty.	Description				
① 13001	13001-7009	2	Piston-Engine				
① 13002	13002-7001	2	Pin-Piston				
① 13008	13008-7001	2	Ring Set-Piston				
① 13025	13025-7003	1	Ring Set-Piston (L 0.50)				
① 13029	13029-7005	1	Piston-Engine (L 0.50)				
① 13031	13031-7033	1	Crankshaft				
① 13251	13251-7007	2	Connecting Rod ASM				
① 13251A	13251-7008	2	Connecting Rod ASM (0.50)				
① 92033	92033-7005	4	Ring-Snap				
① 130	130G0630	4	Bolt-Flanged (6X30)				



Valve and Camshaft Assembly Kawasaki FH430V-CS25

Ref	Part No.	Qty.	Description
③	12004A	2	Valve-Intake
③	12005A	2	Valve-Exhaust
③	12009	4	Retainer-Spring, Valve
③	12011	8	Collet
③	12016B	4	Arm-Rocker
③	12032	4	Tappet
③	13070	2	Guide
③	13070A	1	Guide
③	13116	4	Rod-Push
③	13271	1	Plate
③	13271A	1	Plate-Governor
③	42036B	1	Sleeve
③	49078	4	Spring-Valve, Engine
③	49118	1	Camshaft
③	92009	4	Screw
③	92015	4	Nut
③	92033	2	Ring-Snap
③	92140	6	Ball
③	92145	1	Spring
③	92153	4	Bolt
③	92200	1	Washer

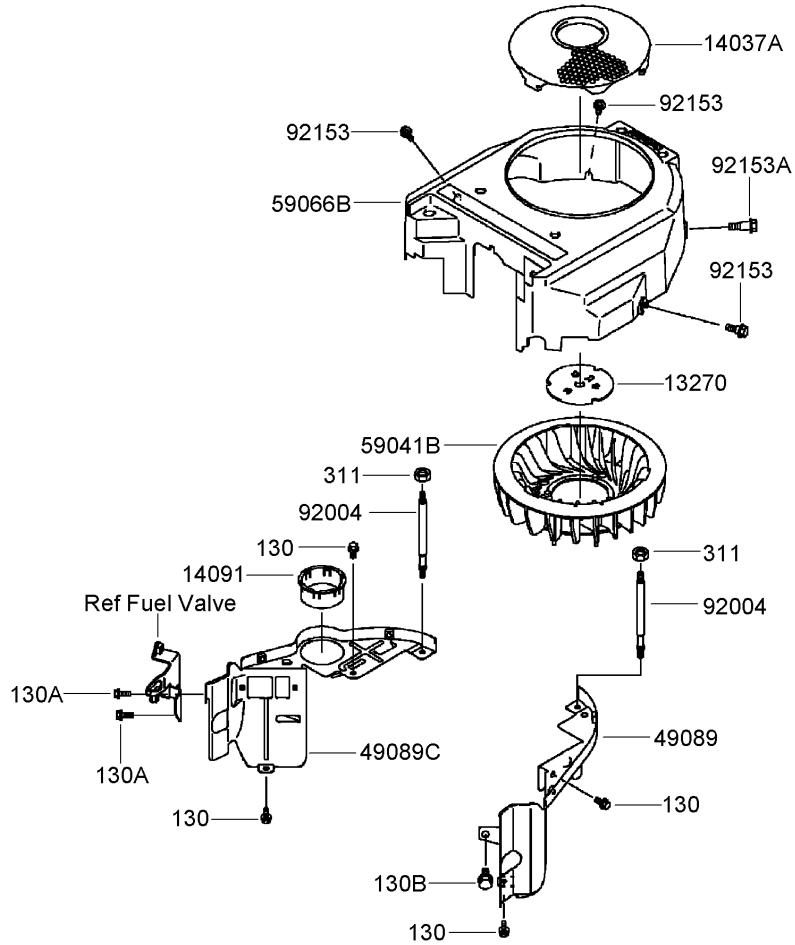
--	--	--	--



Lubrication Equipment Assembly Kawasaki FH430V-CS25

Ref	Part No.	Qty.	Description
①	13107-7009	1	Shaft
①	13271-7017	1	Plate
①	14075-7009	1	Cap ASM
①	16154-2053	1	Rotor-Pump (In)
①	16154A-2054	1	Rotor-Pump (Out)
①	49065-2078	1	Filter-Oil
①	49065A-7004	1	Filter-Oil
①	59051-7011	1	Gear-Spur
①	59231-7003	1	Filler
①	92043-7003	2	Pin
①	92066-7003	2	Plug
①	92140-7003	1	Ball
①	92145-7002	1	Spring
①	130B0612	3	Bolt-Flanged (6X12)
①	670D2016	3	O-Ring (16Mm)

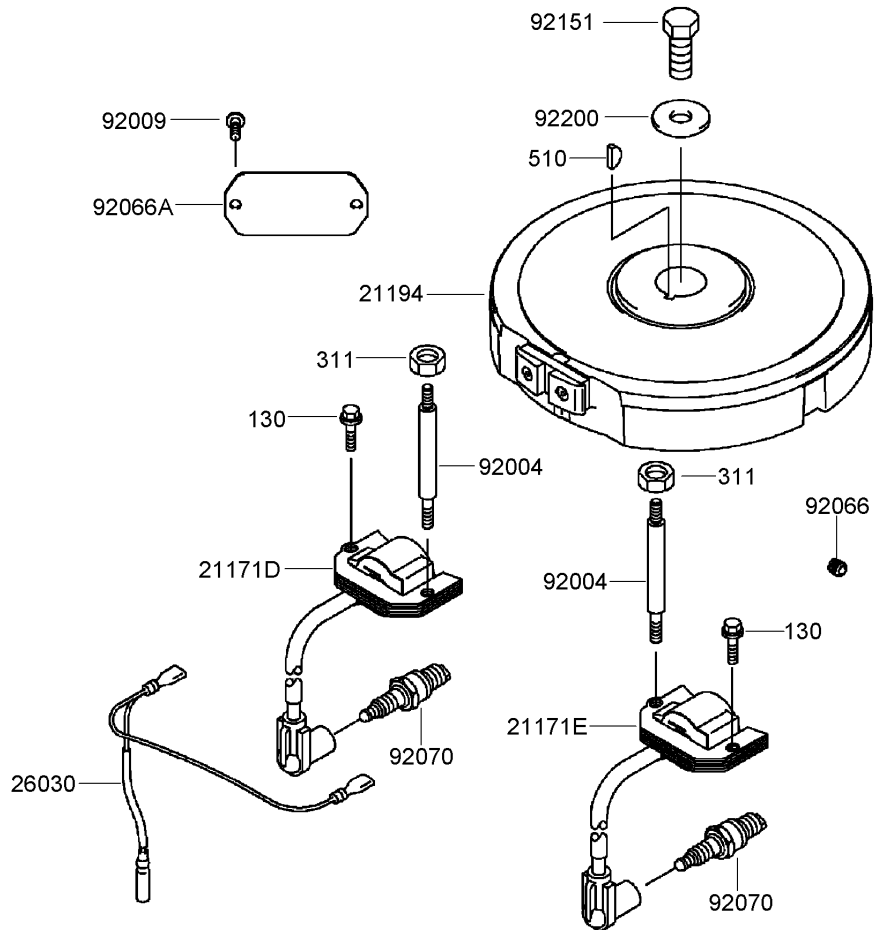
--	--	--	--



Cooling Equipment Assembly Kawasaki FH430V-CS25

Ref	Part No.	Qty.	Description
③ 13270	13270-7007	1	Plate
③ 14037A	14037-7025-9H	1	Screen
③ 14091	14091-7009	1	Cover
③ 49089	49089-7044	1	Shroud-Engine
③ 49089C	49089-7061	1	Shroud-Engine
③ 59041B	59041-7012	1	Fan
③ 59066B	59066-7036	1	Housing-Fan
③ 92004	92004-7007	2	Stud
③ 92153	92153-7007	3	Bolt
③ 92153A	92153-7008	1	Bolt
③ 130	130B0612	4	Bolt-Flanged (6X12)
③ 130A	130B0616	2	Bolt-Flanged (6X16)
③ 130B	130B0816	1	Bolt-Flanged (8X16)
③ 311	311F0600	2	Nut-Hex (6Mm)

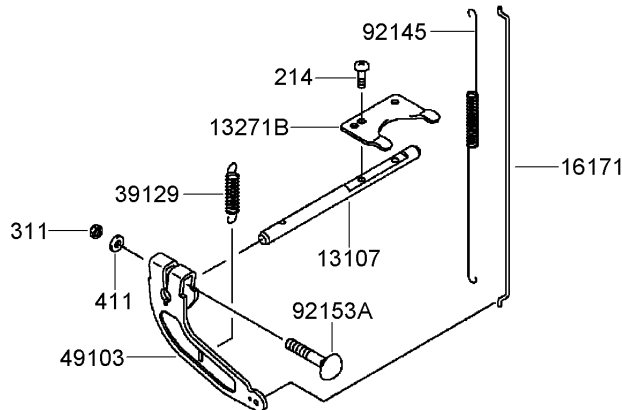
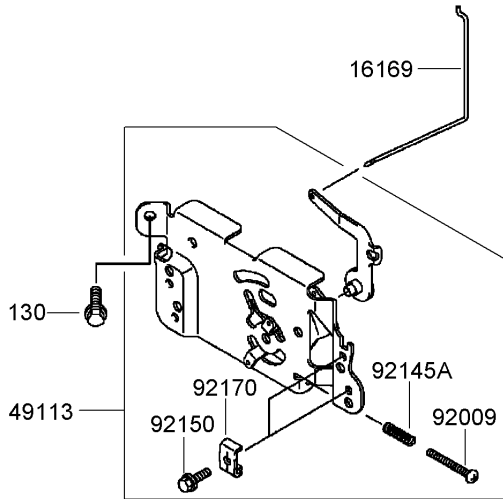
--	--	--	--



Electric Equipment Assembly Kawasaki FH430V-CS25

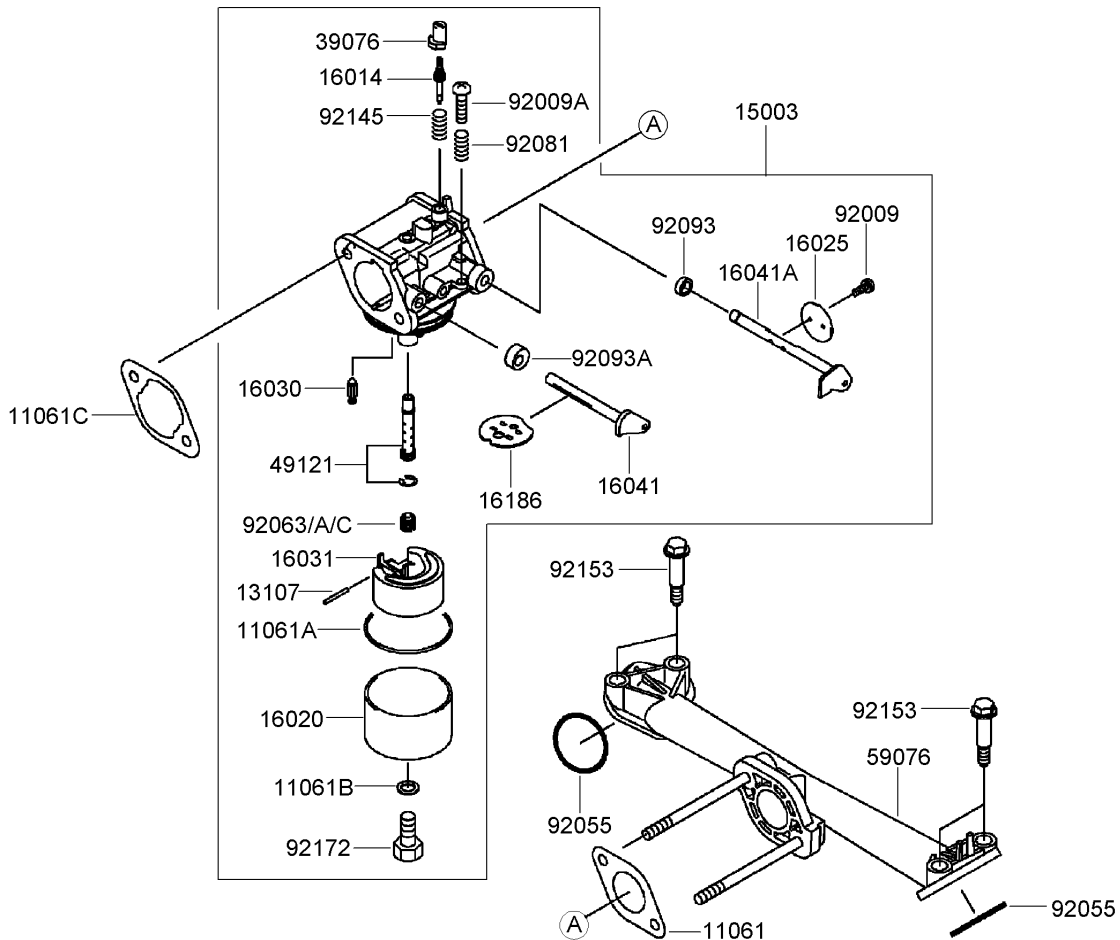
Ref	Part No.	Qty.	Description
③21171D	21171-7026	1	Coil-Assy-Ignition
③21171E	21171-7027	1	Coil-Assy-Ignition
③21194	21194-7013	1	Flywheel
③26030	26030-7001	1	Harness
③92004	92004-7008	2	Stud
③92009	92009-2308	2	Screw
③92066	92066-7002	1	Plug
③92066A	92066-7005	1	Plug
③92070	92070-7003	2	Plug-Spark (R C J 8 Y, Solid)
③92151	92151-2097	1	Bolt (12X30)
③92200	92200-7002	1	Washer
③130	130B0620	2	Bolt-Flanged (6X20)
③311	311F0600	2	Nut-Hex (6Mm)
③510	510A5100	1	Key-Woodruff

--	--	--	--



Control Equipment Assembly Kawasaki FH430V-CS25

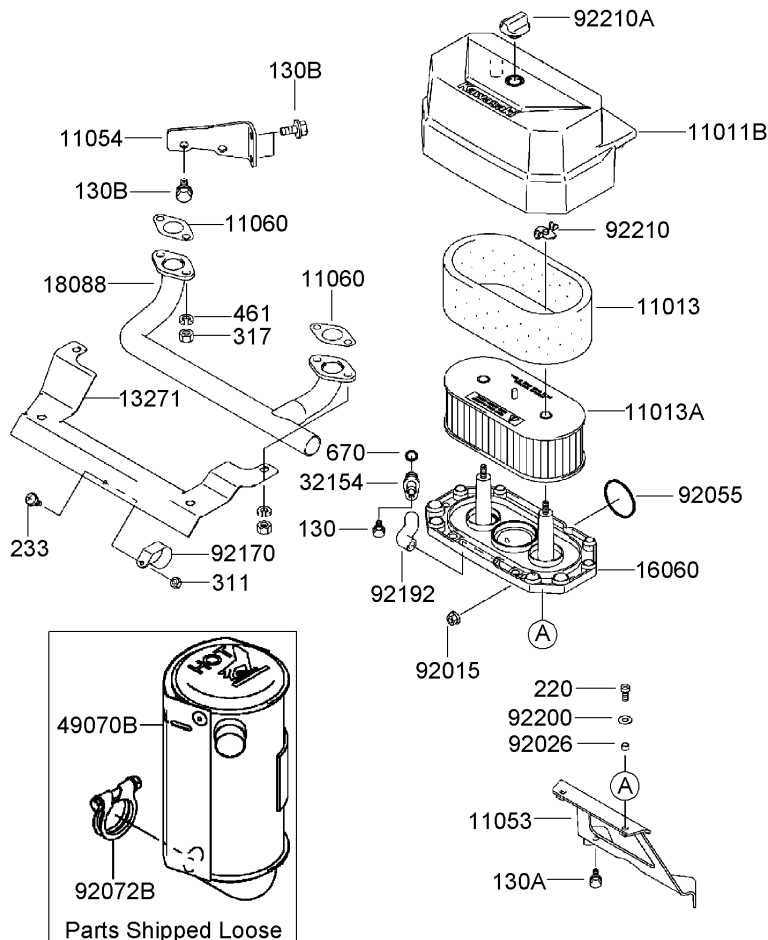
Ref	Part No.	Qty.	Description				
③13107	13107-7010	1	Shaft				
③13271B	13271-7032	1	Plate				
③16169	16169-7012	1	Link-Choke				
③16171	16171-7007	1	Link				
③39129	39129-7003	1	Spring-Governor				
③49103	49103-7004	1	Arm-Governor				
③49113	49113-7024	1	Panel-Control				
③92009	92009-7007	1	Screw (4X35)				
③92145	92145-7003	1	Spring				
③92145A	92145-7005	1	Spring				
③92150	92150-2182	2	Bolt (5X18)				
③92153A	92153-7033	1	Bolt (6X35)				
③92170	92170-7001	2	Clamp				
③130	130B0612	2	Bolt-Flanged (6X12)				
③214	214B0408	2	Screw-Pan (4X8)				
③311	311B0600	1	Nut-Hex (6Mm)				
③411	411B0600	1	Washer-Plain (6Mm)				



Carburetor Assembly Kawasaki FH430V-CS25

Ref	Part No.	Qty.	Description
③ 11061	11061-7004	1	Gasket-Insulator
③ 11061A	11061-7009	1	Gasket-Chamber
③ 11061B	11061-7010	1	Gasket-Screw
③ 11061C	11061-7018	1	Gasket-Cleaner, Air
③ 13107	13107-7018	1	Shaft
③ 15003	15003-7061	1	Carburetor ASM
③ 16014	16014-7002	1	Screw-Pilot
③ 16020	16020-7003	1	Chamber-Float
③ 16025	16025-7006	1	Valve-Throttle
③ 16030	16030-7003	1	Valve-Float
③ 16031	16031-7002	1	Float
③ 16041	16041-7016	1	Shaft-Choke, Carburetor
③ 16041A	16041-7018	1	Shaft-Throttle, Carburetor
③ 16186	16186-7002	1	Choke Valve ASM
③ 39076	39076-7001	1	Limiter
③ 49121	49121-7001	1	Nozzle-Main
③ 59076	59076-7005	1	Manifold-Intake
③ 92009	92009-2083	2	Screw
③ 92009A	92009-2349	1	Screw
③ 92055	92055-7007	2	O-Ring (I D 31)
③ 92063	92063-7026	1	Jet-Main, No. 88
③ 92063A	92063-7028	1	Jet-Main, No. 85
③ 92063C	92063-7029	1	Jet-Main, No. 82
③ 92081	92081-2234	1	Spring

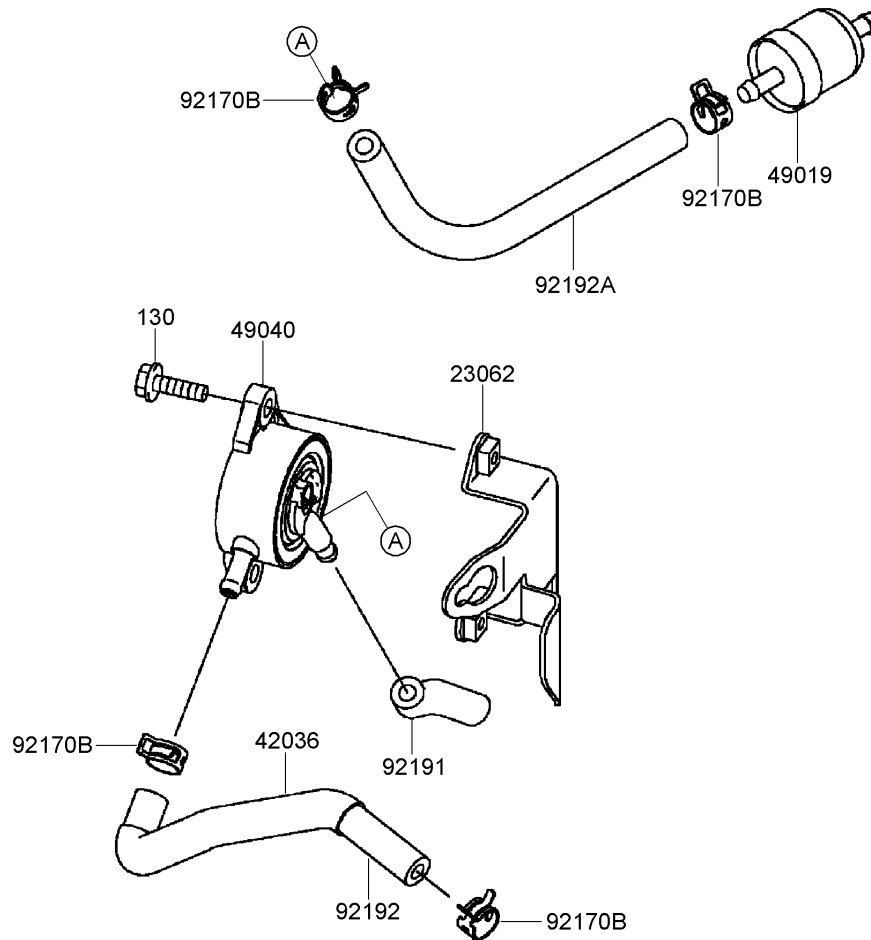
Ref	Part No.	Qty.	Description
③ 92093	92093-2100	1	Seal
③ 92093A	92093-7003	1	Seal
③ 92145	92145-7015	1	Spring
③ 92153	92153-7009	4	Bolt
③ 92172	92172-7002	1	Screw



Air Filter and Muffler Assembly Kawasaki FH430V-CS25

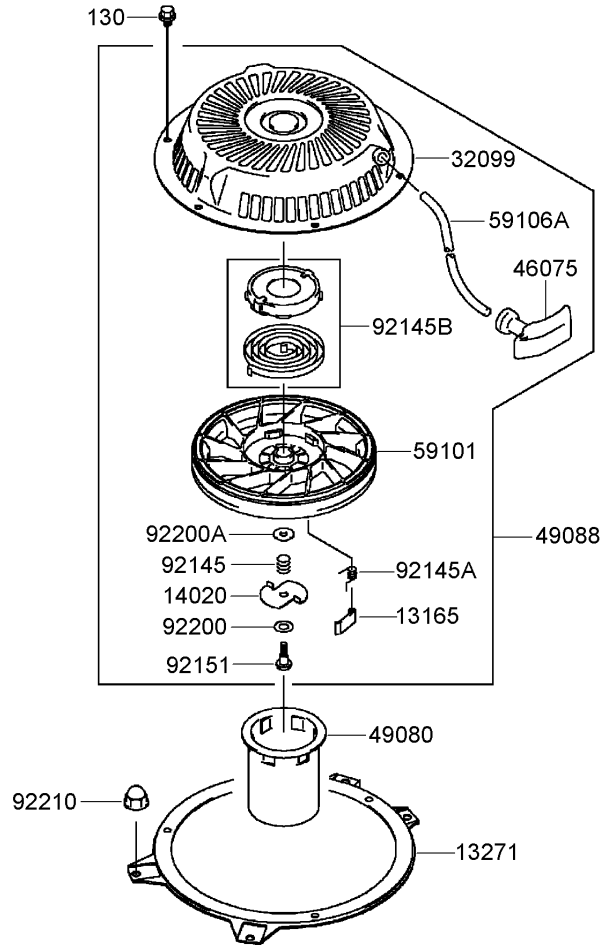
Ref	Part No.	Qty.	Description
③11011B	11011-7045	1	Case-Filter, Air
③11013	11013-7025	1	Element-Filter, Air
③11013A	11013-7031	1	Element-Filter, Air
③11053	11053-7022	1	Bracket
③11054	11054-7002-9H	1	Bracket
③11060	11060-7021	2	Gasket-Muffler
③13271	13271-7022	1	Plate
③16060	16060-7016	1	Pipe-Intake
③18088	18088-7001	1	Pipe-Exhaust
③32154	32154-7006	1	Pipe
③49070B	49070-7021	1	Muffler
③92015	92015-1193	2	Nut
③92026	92026-7001	2	Spacer (6.2X7.9X5)
③92055	92055-7015	1	O-Ring
③92072B	92072-7012	1	Band
③92170	92170-7002	1	Clamp
③92192	92192-7010	1	Tube
③92200	92200-2070	2	Washer
③92210	92210-7004	2	Nut
③92210A	92210-7019	1	Nut
③130	130B0610	1	Bolt-Flanged (6X10)
③130A	130B0612	2	Bolt-Flanged (6X12)
③130B	130B0816	3	Bolt-Flanged (8X16)

Ref	Part No.	Qty.	Description
③220	220B0614	2	Screw-Pan (Cross) (6X14)
③233	233B0416	1	Screw (4X16)
③311	311B0400	1	Nut-Hex (4Mm)
③317	317R0800	4	Nut-Hex (8Mm)
③461	461F0800	4	Washer-Spring (8Mm)
③670	670B2010	1	O-Ring (10Mm)



Fuel Tank and Valve Assembly Kawasaki FH430V-CS25

Ref	Part No.	Qty.	Description
① 23062	23062-7004-9H	1	Bracket
① 42036	42036-7012	1	Sleeve
① 49019	49019-7001	1	Filter-Fuel
① 49040	49040-7001	1	Pump-Fuel
④ 92170B	92170-2088	4	Clamp
① 92191	92191-7002	1	Tube
① 92192	92192-7035	1	Tube (6.35X12.7X170)
① 92192A	92192-7037	1	Tube (6.35X12.7X160)
② 130	130B0620	2	Bolt-Flanged (6X20)



Starter Assembly Kawasaki FH430V-CS25

Ref	Part No.	Qty.	Description
① 13165	13165-7001	2	Pawl-Starter, Recoil
① 13271	13271-7003-9H	1	Plate
① 14020	14020-7001	1	Retainer
① 32099	32099-7002	1	Case-Starter, Recoil
① 46075	46075-7001	1	Grip-Starter, Recoil
① 49080	49080-7001	1	Pulley-Starting
① 49088	49088-7013	1	Starter-Recoil
① 59101	59101-7001	1	Reel-Starter, Recoil
① 59106A	59106-7005	1	Rope
① 92145	92145-7006	1	Spring
① 92145A	92145-7007	2	Spring
① 92145B	92145-7008	1	Spring
① 92151	92151-7008	1	Bolt
① 92200	92200-7004	1	Washer
① 92200A	92200-7005	1	Washer
① 92210	92210-0003	4	Nut
① 130	130B0608	3	Bolt-Flanged (6X8)

56033



56070



56080



56080A



Label Assembly Kawasaki FH430V-CS25

Ref	Part No.	Qty.	Description				
⑤56033	56033-7001	1	Label-Manual				
⑤56070	56070-7001	1	Label-Warning				
⑤56080	56080-2077	1	Label-Brand				
⑤56080A	56080-7024	1	Label-Brand				

Attachments and Accessories

For 30698 - Commercial Walk-Behind Mower, Fixed Deck T-Bar Gear with 48in TURBO FORCE Cutting Unit

Product Name	Model/Part
Blade-Low Flow, 16.5 Inch	107-3193-03
Blade-Mid Flow, 16.5 Inch	107-3194-03
Blade-Atomic, 16.5 Inch	107-3195-03
Blade-Recycling, 16.5 Inch	107-3196-03
Bagging Enhancement Kit	108-4091
48 Inch Recycler Kit	110-2060
Weight Kit	110-2085
Soft Bag (3 Bushel)	30104
Sulky	30109

NOTES

