



Workman[®] 200 Spray System Heavy-Duty Workman[®] Vehicles

Model No. 41235 - 270000001 and up.

Parts Catalog

Ordering Replacement Parts

To order replacement parts, please supply the part number, the quantity, and the description of each part desired.

Understanding Reference Numbers

Each Identified part in an illustration has a reference number. The reference number for a part also appears in the parts list, along with other information about the part.

This catalog uses two special reference number formats, one to indicate parts in a service assembly and another to indicate the quantity of a given part in an illustration.

Service Assembly Reference Numbers

Parts in service assemblies have reference numbers in the form a:b. The a represents the reference number of the entire service assembly and the b represents a sequential number unique to each part within the service assembly.

For example, a wheel assembly might be identified by reference number 6, the tire by 6:1, the valve by 6:2, and the wheel by 6:3. When you order the assembly identified by reference number 6, you receive all parts identified by reference numbers 6:1, 6:2, and 6:3. However, you may also order any part individually. Reference numbers of this type appear in illustrations and in part lists.

Reference Numbers Indicating Quantity

In an illustration, if a reference number indicates more than one part, the reference number has the form nX y. The n represents the quantity of the part, the X is the multiplication symbol, and the y represents the reference number.

For example, in an illustration, the reference number 2X 37 means that two of the parts identified by reference number 37 are indicated.

Contents

Description	Page	Description	Page
Skid and Frame Assembly 3	Upper Tank Drain Bulkhead Assembly 16
Fresh Water Tank Assembly 4	Top Mounted Suction Assembly No. 107-2800 17
Fresh Water Tank Assembly No. 100-8438 5	Lower Sprayer Component Assembly 18
Tank and Cover Assembly 6	Safety Valve Assembly No. 100-6820 19
200 Gallon Tank Assembly No. 106-1366 7	Control Valve Assembly 20
Lid Seal Assembly 8	EVC Control Valve Assembly 21
Lid Assembly 9	Control Box Assembly 23
Pump and Drive Assembly 10	Hose Assembly 24
Pump Assembly No. 106-5121 11	Electrical Harness Assembly 26
Drive Shaft Assembly No. 107-2810 12	Center Boom Assembly 27
Upper Sprayer Component Assembly 13	Left and Right Hand Boom Assembly 28
Suction and Drain Assembly 14	Attachments and Accessories List 29
Tank Drain Assembly 15		

Part Description Abbreviations

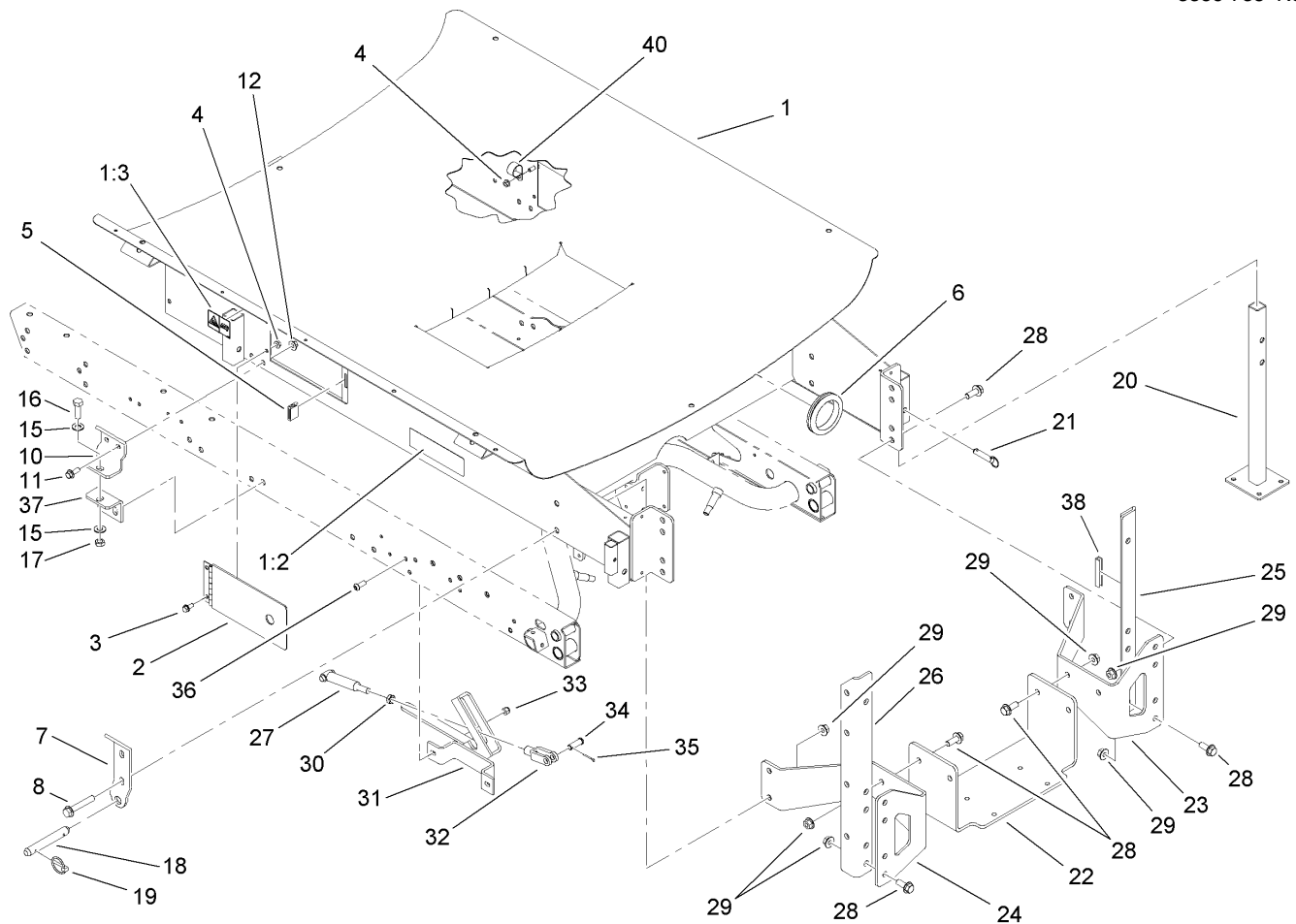
Part descriptions in this catalog may include the following abbreviations.

AR. as required	HYD. hydraulic
ASM. assembly	LH. left hand
BBC. blade brake clutch	NI. nylon insert
CARR. carriage	NPTF. national pipe thread fine
DEG. degrees	PFH. phillips flat head
EXT. external	PPH. phillips pan head
FH. flat head	PPHTF. phillips pan head thread forming
GA. gauge	PRH. phillips round head
HD. heavy-duty	PTH. phillips truss head
HF. hex flange	PTO. power-take-off
HH. hex head	RH. right hand
HHF. hex head flange	ROPS. roll-over protection system
HHFTF. hex head flange thread forming	SFH. slotted fillister head
HJ. hex jam	SHH. slotted hex head
HLH. hex lag head	SHWH. slotted hex washer head
HOC. height-of-cut	SPH. slotted pan head
HSBH. hex socket button head	SQH. square head
HSFH. hex socket flat head	SRH. slotted round head
HSH. hex socket head	STD. standard
HWH. hex washer head	TAP. self tapping
HWHTF. hex washer head thread forming	TTH. torx truss head

Footnotes

❶ Not illustrated

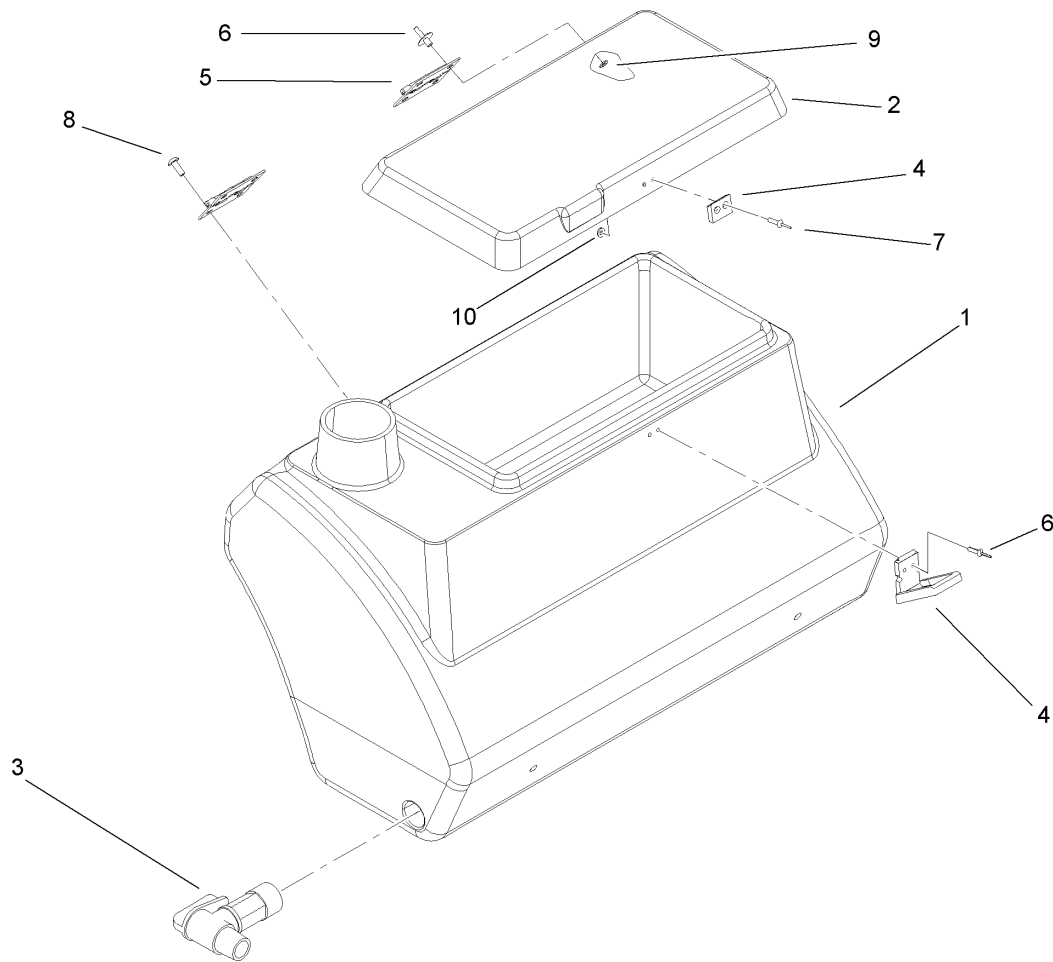
❷ Not serviced separately



Skid and Frame Assembly

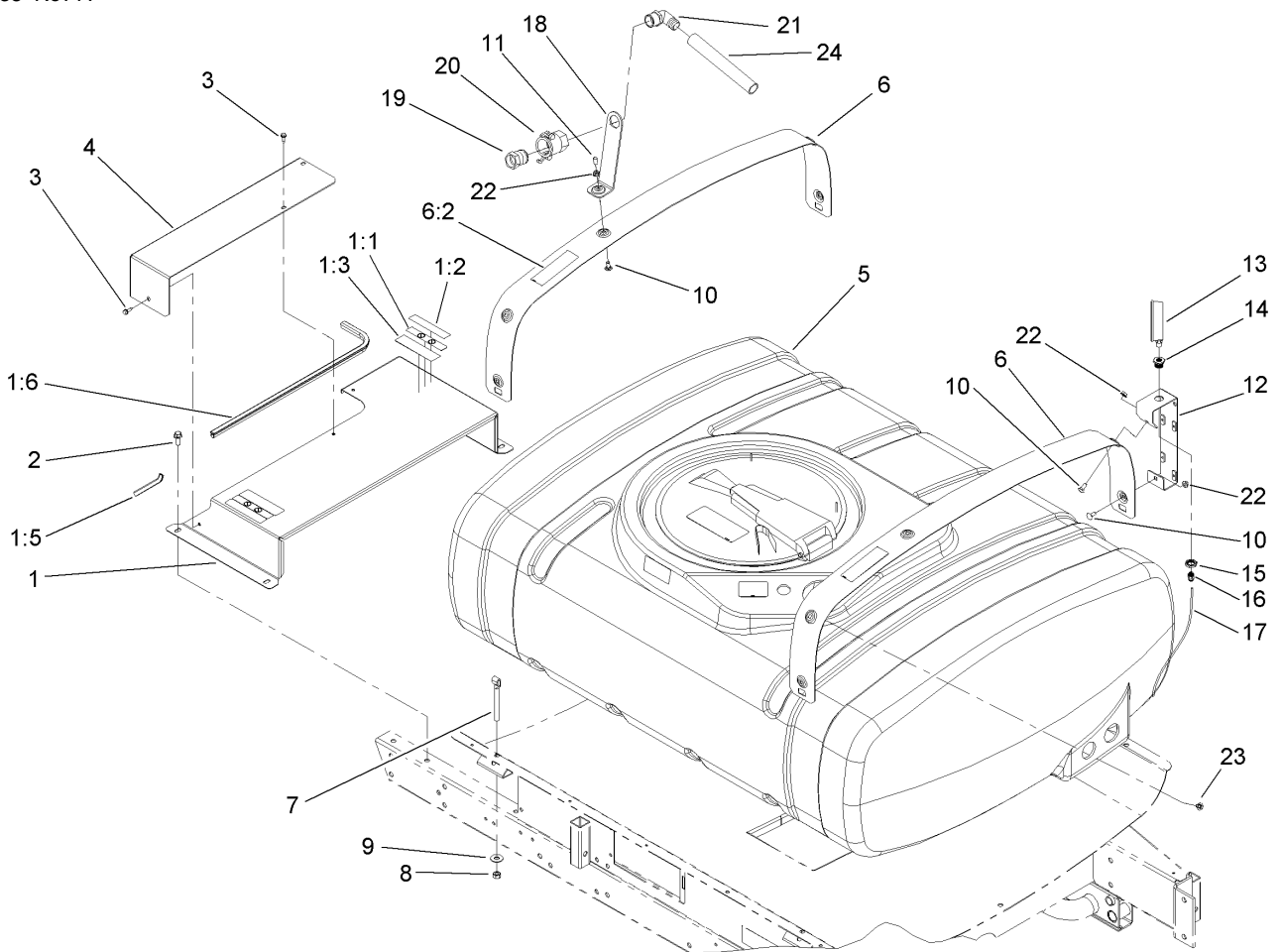
Ref	Part No.	Qty.	Description
1	106-1367	1	Skid ASM
1:2	106-1365	1	Decal-Danger
1:3	106-1434	2	Decal-Caution
2	106-1290-03	2	Door ASM
3	3234-5	4	Screw-HHF
4	32128-20	4	Nut-HF
5	92-3700	2	Magnet-Door
6	237-102	3	Grommet
7	107-2858	2	Pivot-Lug
8	3234-40	4	Screw-HF
10	107-2859	2	Bracket-Mount, Front
11	3234-42	4	Screw-HHF
12	32128-43	4	Nut-Flange
15	3256-26	4	Washer-Flat
16	325-6	2	Screw-HH
17	32153-5	2	Nut-Lock, Side
18	92-1233	2	Pin-Clevis
19	92-1298	4	Pin-Lynch
20	105-9482-03	4	Jack Stand ASM
21	100-4523	4	Pin-Hitch
22	106-1345-03	1	Base-Pump
23	108-3496-03	1	Bracket-Pump, RH
24	108-3497-03	1	Bracket-Pump, LH
25	108-3703-03	1	Angle-Boom Mount, RH

Ref	Part No.	Qty.	Description
26	108-3704-03	1	Angle-Boom Mount, LH
27	106-1413	1	Prop Rod ASM
28	3234-32	10	Screw-HHF
29	32128-49	14	Nut-HHF
30	3220-5	1	Nut-Jam
31	106-2491-03	1	Strut Support Bracket ASM
32	100-7338	1	Clevis
33	3296-39	2	Nut-Lock, NI
34	104-3634	1	Pin-Clevis
35	3272-11	1	Pin-Cotter
36	3274-94	2	Screw-HSBH
37	92-2667-03	2	Bracket-Attachment, Mount
38	70-2041	1	Trim
40	2412-126	1	R-Clamp



Fresh Water Tank Assembly No. 100-8438

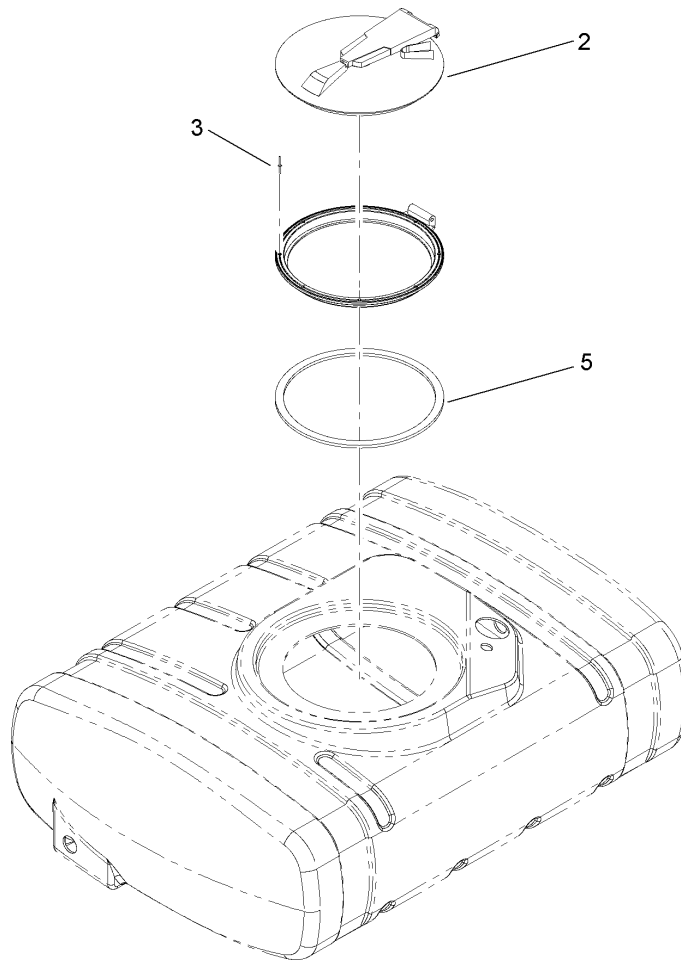
Ref	Part No.	Qty.	Description
① 1		1	Tank-Water, Fresh
2	100-8397	1	Cover-Tank
3	100-7011	1	Spigot-90 DEG
4	100-7009	1	Latch-Draw
5	100-7010	2	Hinge
6	100-7062	4	Rivet
7	100-7063	4	Rivet
8	100-7064	4	Screw
9	100-7065	4	Washer
10	100-7066	2	Washer



Tank and Cover Assembly

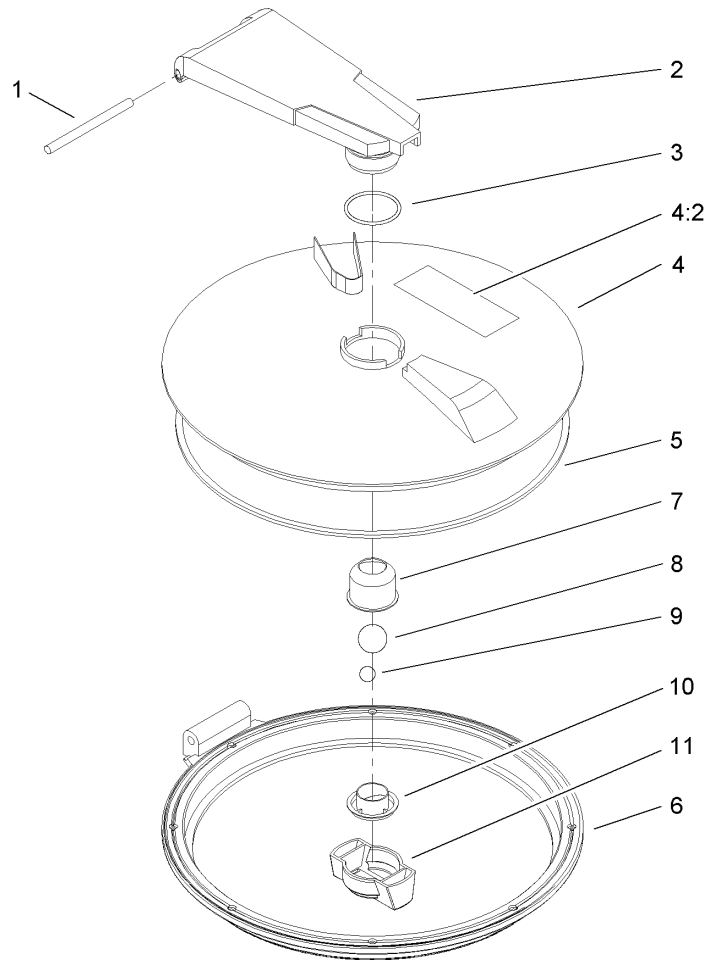
Ref	Part No.	Qty.	Description
1	106-2275	1	Radiator Cover ASM
1:1	93-6687	2	Decal-No Step
1:2	93-6689	2	Decal-No Riders
1:3	93-7814	2	Decal-Danger
1:5	92-3627	1	Trim
1:6	42657	1	Trim-Panel, Front
2	3234-42	4	Screw-HHF
3	32104-95	3	Screw-HWH
4	93-6427-03	1	Panel-Radiator
5	106-1366	1	200 Gallon Tank ASM
6	106-1368	2	Band-Tank
6:2	106-5016	1	Decal-Caution, Electric Shock
7	92-3668	4	Bolt-J
8	3217-8	4	Nut-Hex
9	3256-5	4	Washer-Flat
10	3230-1	3	Bolt-CARR
11	42452	1	Cap-Protective
12	106-7997-03	1	Tee Mounting Bracket ASM
13	110-5078	1	Gauge-Pressure
14	100-8665	1	Reducer-Gauge, Pressure
15	100-8666	1	Nut-Reducer
16	100-8667	1	Coupler-Reducer
17	107-2834	1	Tubing-Pressure
18	100-6778-03	1	Bracket-Siphon, Anti

Ref	Part No.	Qty.	Description
19	41316	1	Adapter-Quick
20	100-6779	1	Coupling-Female
21	41140	1	Elbow
22	32128-20	3	Nut-HF
23	3230-19	1	Screw-CARR
24	104-9075	1	Hose-Siphon, Anti



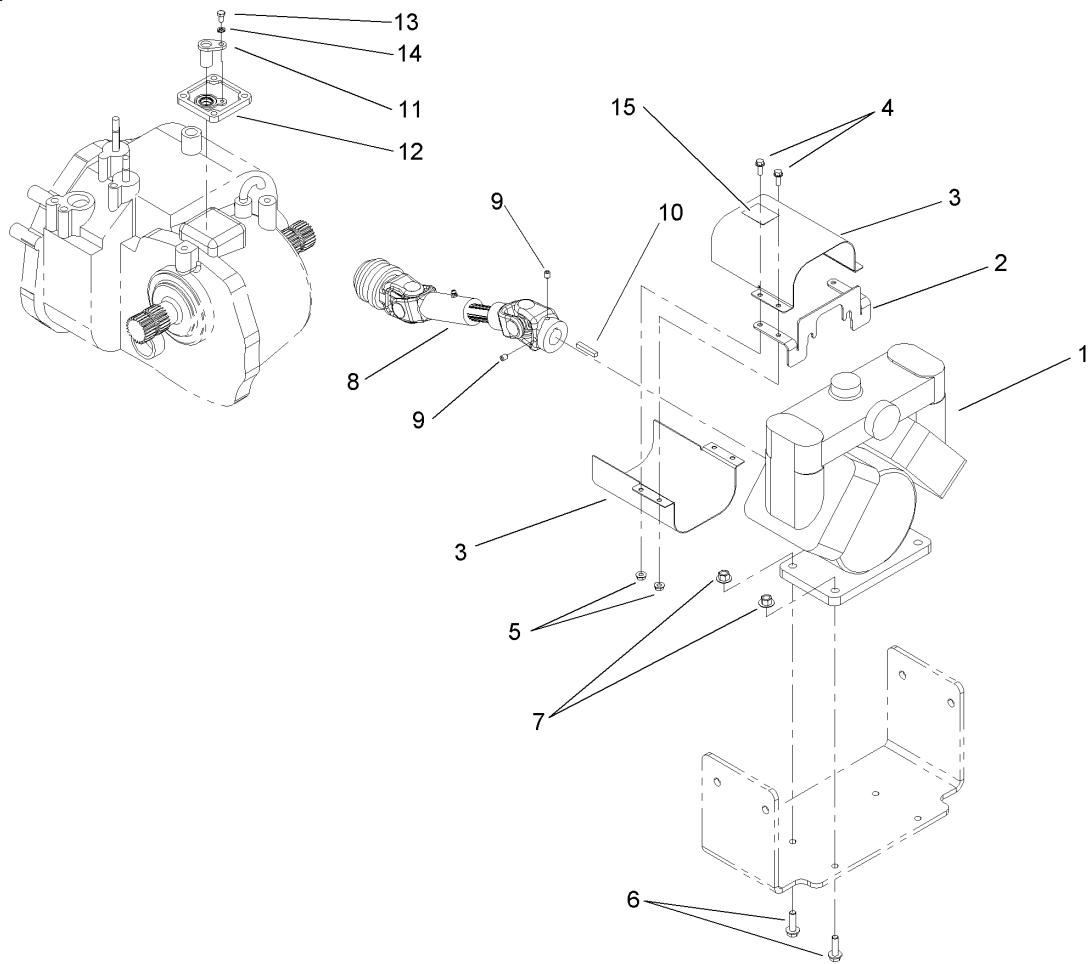
Lid Seal Assembly

Ref	Part No.	Qty.	Description
2		1	Screw Type Tank Lid ASM
3	93-0833	8	Rivet
5	106-4991	1	Seal-Lid



Lid Assembly

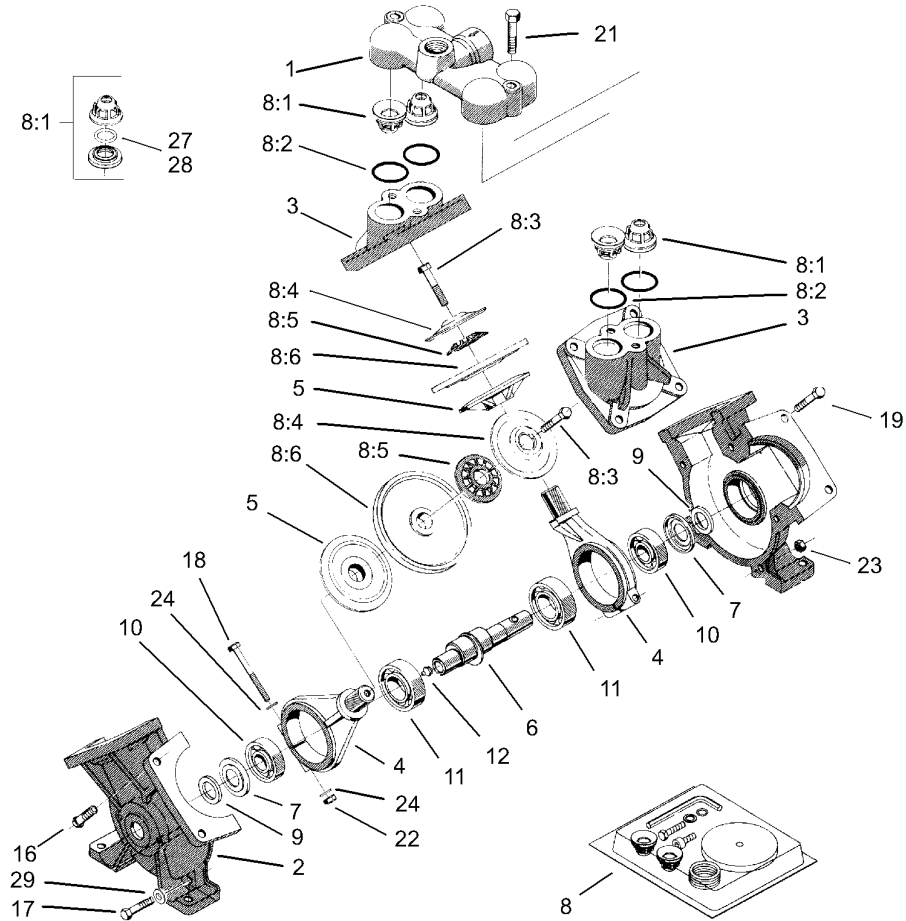
Ref	Part No.	Qty.	Description				
1	106-5000	1	Pin-Pivot				
2	106-5001	1	Arm				
3	106-5002	1	O-Ring				
4	106-1369	1	Lid				
4:2	93-0688	1	Decal-Warning, Chemical				
5	106-5004	1	Seal-Lid				
6	106-5005	1	Ring				
7	106-5006	1	Cup-Vent				
8	106-5007	1	Ball-Floating				
9	106-5008	1	Ball-Weight				
10	106-5009	1	Holder-Ball				
11	106-5010	1	Nut-Wing				



Pump and Drive Assembly

Ref	Part No.	Qty.	Description
1	106-5121	1	Pump
2	104-8970-03	1	Bracket-Shroud
3	104-8971-03	2	Shroud-Drive, Pump
4	3234-4	4	Screw-HHF
5	32128-33	4	Nut-HF
6	3234-24	4	Screw-HHF
7	32128-43	4	Nut-Flange
8	107-2810	1	Shaft-Drive, PTO
9	3246-18	2	Setscrew
10	67-7490	1	Key-Square
11	85-4350	1	Sensor-Gear tooth
12	92-3736	1	Cover ASM
13	33113-012	1	Screw-HH
14	48-8020	1	Washer-Spring
15	106-1354	1	Decal

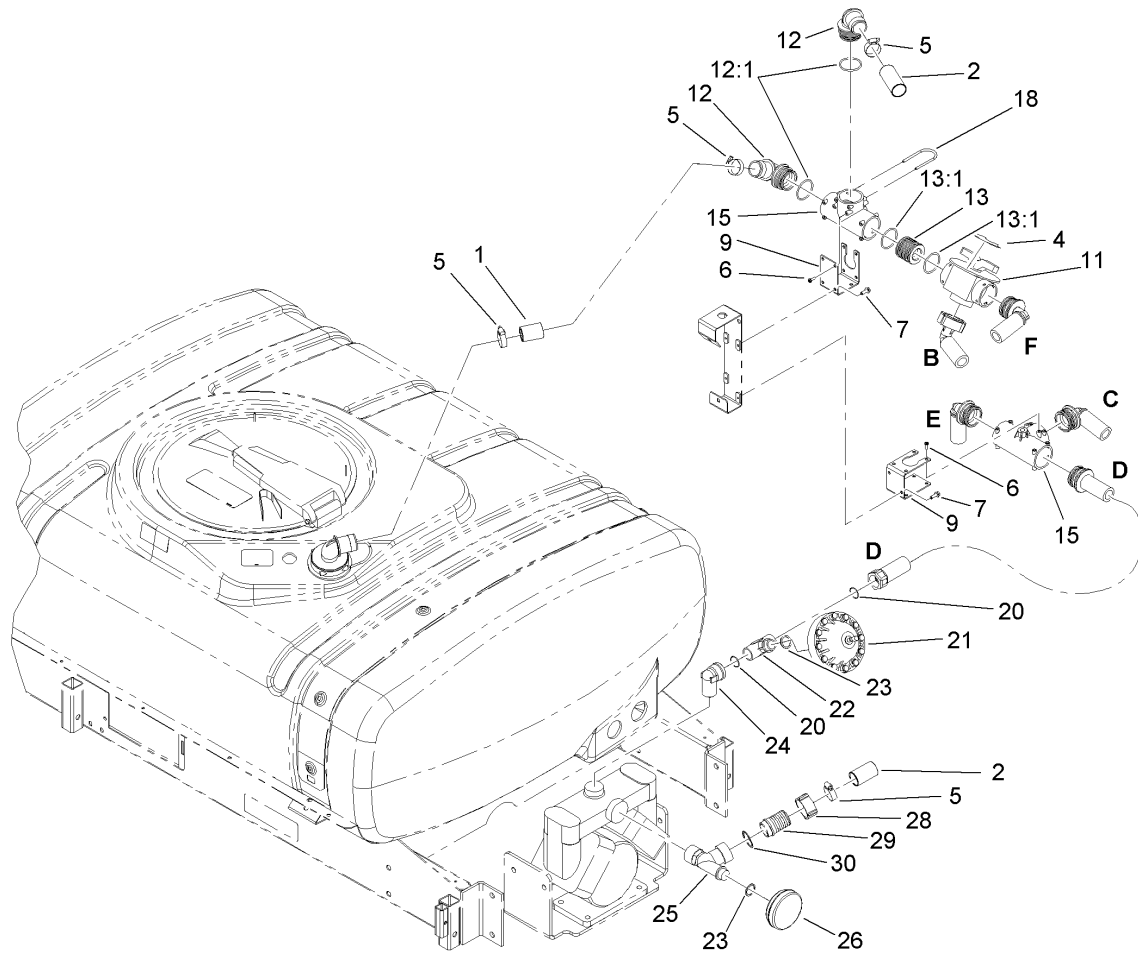
--	--	--	--



Pump Assembly No. 106-5121

Ref	Part No.	Qty.	Description
1	106-5139	1	Cover-Valve
2	106-5140	2	Housing-Pump
3	106-5141	2	Cover-Diaphragm
4	106-5142	2	Rod-Connecting
5	100-8314	2	Disc-Back, Diaphragm
6	104-9052	1	Crankshaft-Keyed
7	100-8325	2	Plate-Dust
8	106-5150	1	Repair Kit
8:1	100-8307	4	Valve
8:2	100-6652	4	Gasket
8:3	106-5147	2	Bolt
8:4	100-8311	2	Washer
8:5	100-8312	2	Washer-Nylon
8:6	100-8313	2	Diaphragm
9	99-0868	2	Felt-Seal
10	100-8327	2	Bearing-Ball
11	100-8329	2	Bearing-Ball
12	99-0873	1	Fitting-Grease
16	106-5143	3	Bolt
17	106-5144	2	Bolt
18	106-5145	2	Bolt
19	106-5146	8	Bolt
21	106-5148	2	Bolt
22	100-8326	2	Nut-Hex

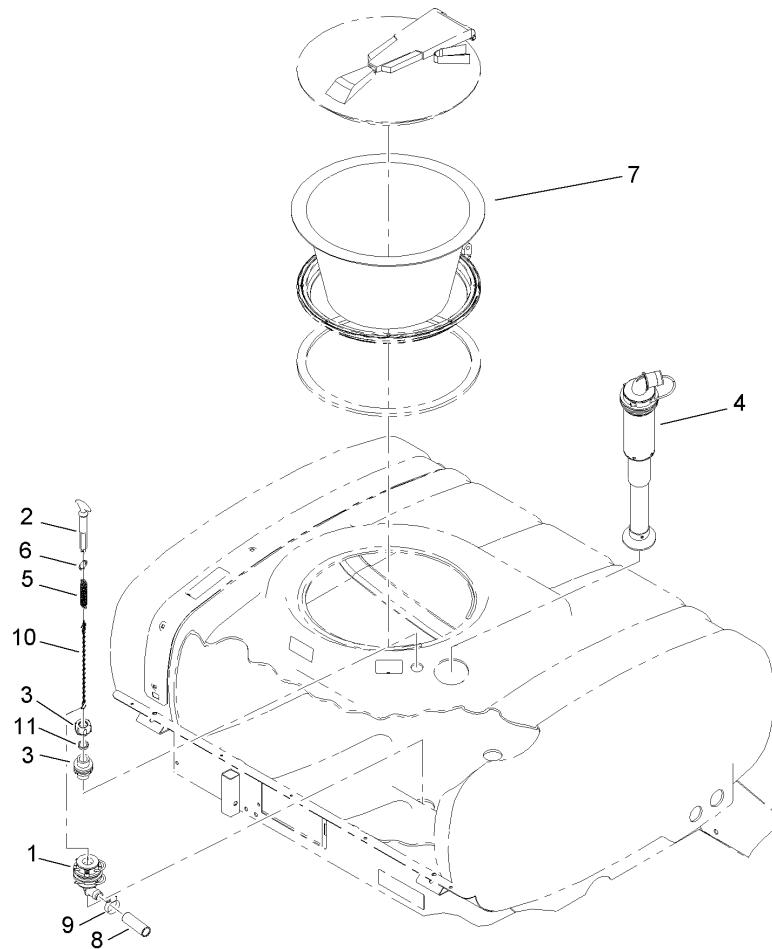
Ref	Part No.	Qty.	Description
23	106-5149	5	Nut
24	100-8316	4	Washer-Lock
27	100-8336	4	O-Ring
28	106-5138	4	O-Ring
29	106-5137	2	Washer



Upper Sprayer Component Assembly

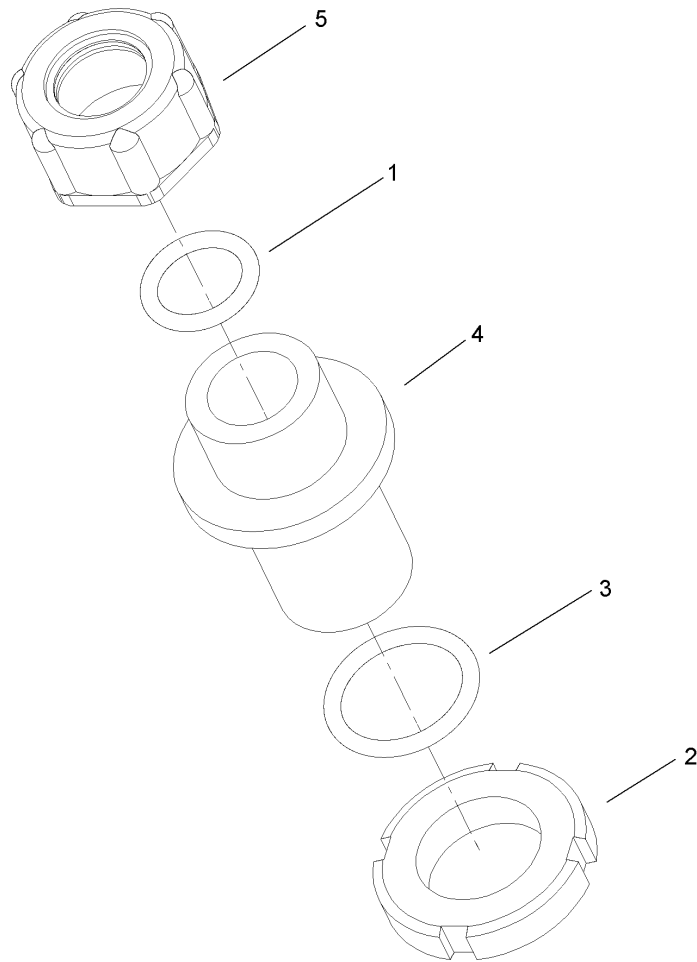
Ref	Part No.	Qty.	Description
1	107-2804	1	Hose-Suction
2	107-2805	1	Hose-Suction
4	107-8621	1	Decal-Agitation
5	41327	4	Clamp-Hose
6	32144-32	8	Screw
7	3234-4	4	Screw-HHF
9	100-8478	2	Bracket-Tee
11	100-8673	1	Agitation Valve ASM
12	106-4946	2	Hosebarb-90 DEG
12:1	100-8637	1	O-Ring
13	106-4947	1	Connector
13:1	100-8637	2	O-Ring
15	100-6704	2	Tee
18	100-8635	8	Fork
20	100-6655	1	Gasket
21	100-6662	1	Damper-Pressure
22	100-8699	1	Tee
23	100-6656	2	O-Ring
24	100-8698	1	Elbow
25	100-8681	1	Tee
26	100-6660	1	Suction Damper ASM
28	100-8678	1	Nut
29	100-8679	1	Hosebarb
30	100-8680	1	Seal

Ref	Part No.	Qty.	Description
●31	3334-945	3	Tie-Cable



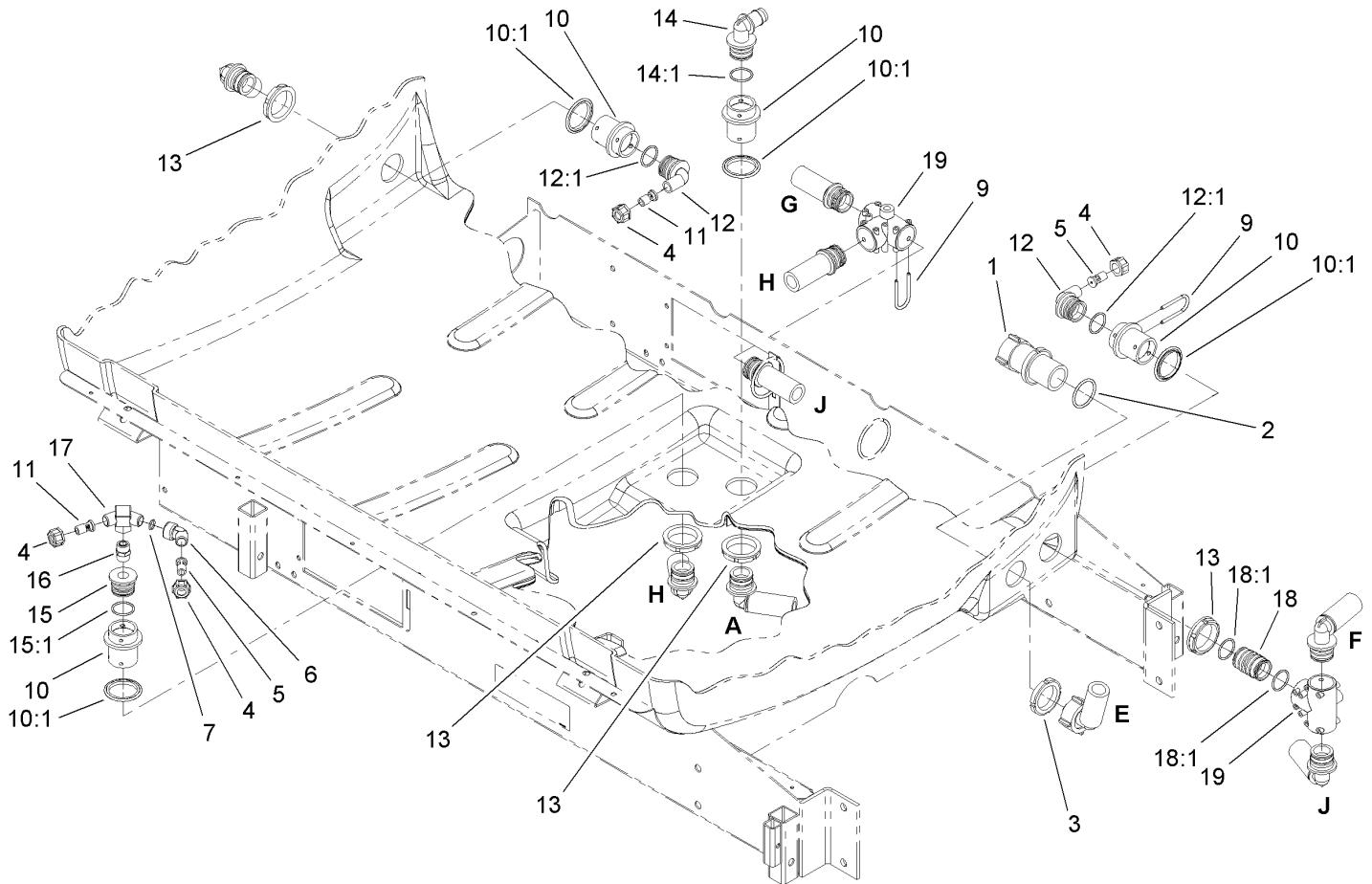
Suction and Drain Assembly

Ref	Part No.	Qty.	Description				
②1		1	Drain ASM				
2	106-1347	1	Handle-Drain				
②3		1	Upper Tank Drain Bulkhead ASM				
4	107-2800	1	Top Mounted Suction ASM				
5	106-1415	1	Spring-Extension				
6	106-1416	1	Ring-Retaining, Spiral (EXT)				
7	104-9051	1	Basket-Strainer				
8	106-1351	1	Hose-Drain				
9	2412-34	1	Clamp-Hose				
10	106-1356	1	Chain ASM				
11	106-1414	1	Seal				



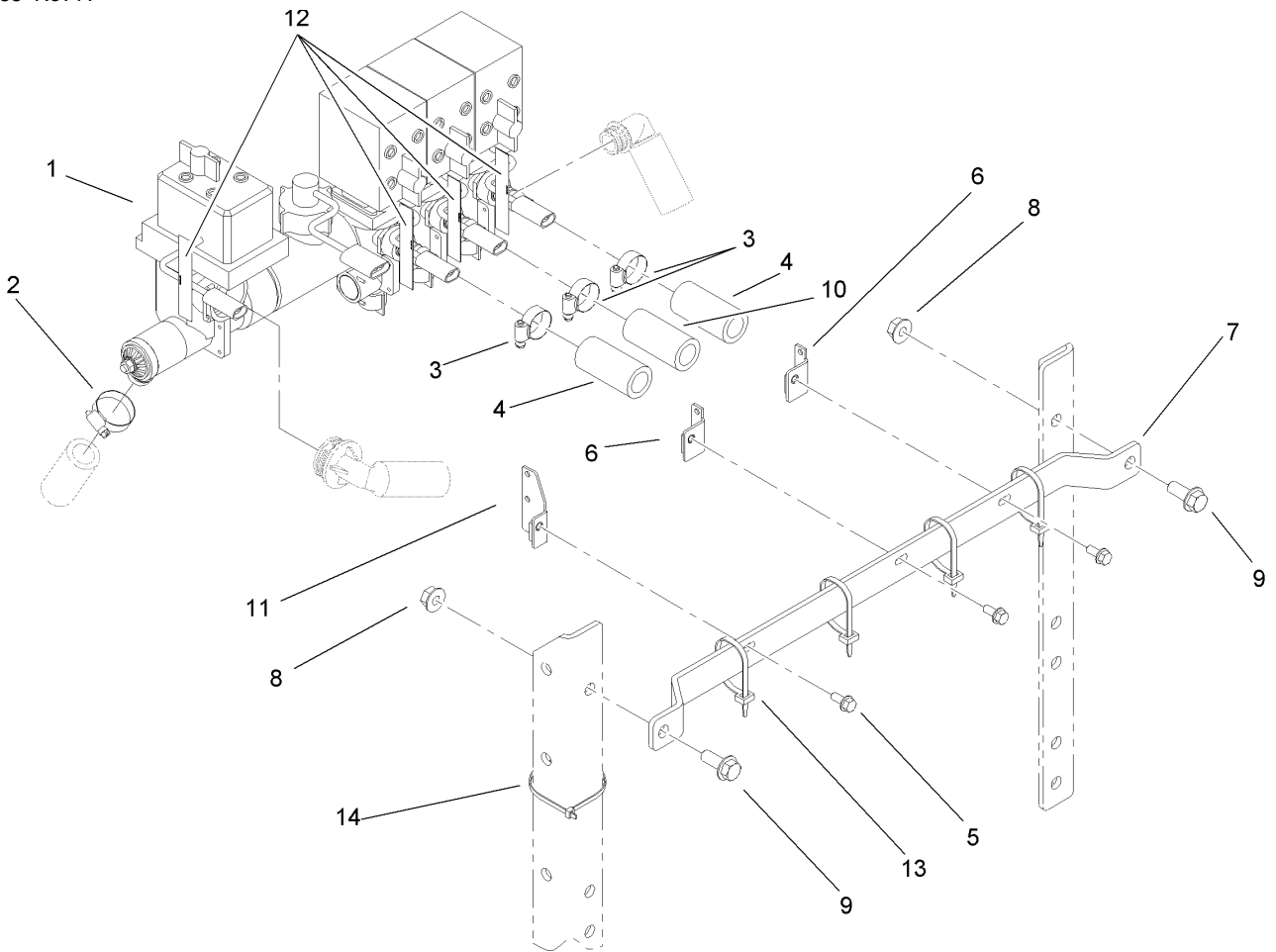
Upper Tank Drain Bulkhead Assembly

Ref	Part No.	Qty.	Description
1	100-6643	1	O-Ring
2	99-0758	1	Nut
3	100-6658	1	Gasket
4	106-1240	1	Bulkhead
5	106-1241	1	Nut-Special



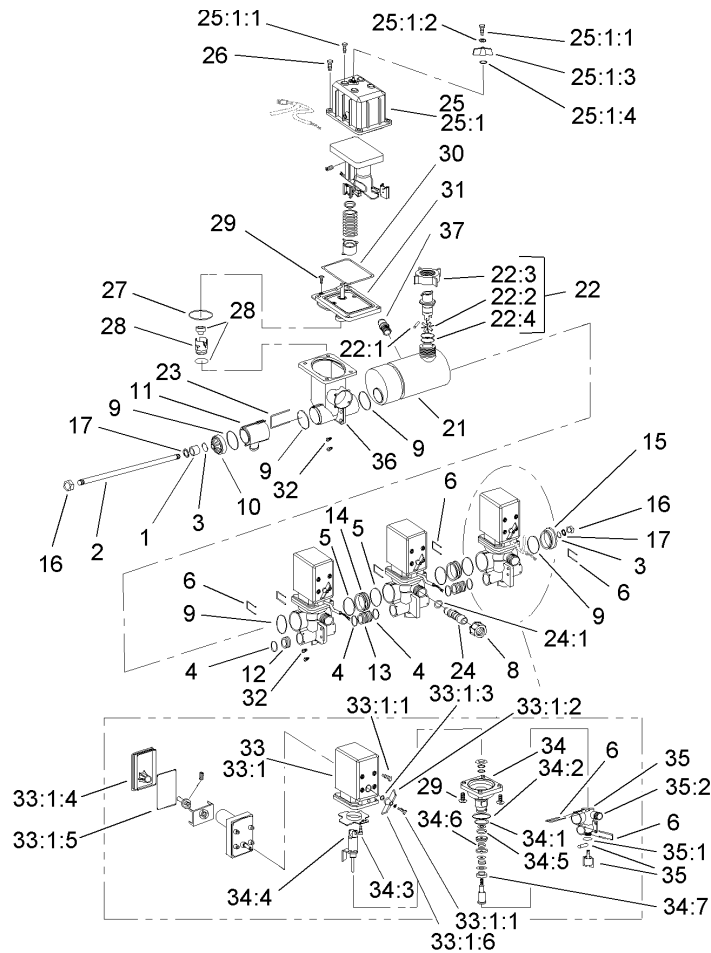
Lower Sprayer Component Assembly

Ref	Part No.	Qty.	Description
1	100-6820	1	Valve-Safety, 225 Psi
2	100-6652	1	Gasket
3	99-0761	1	Ringnut
4	99-0766	4	Nut
5	100-6705	2	Nozzle-Agitation
6	99-0768	1	Elbow-60 DEG
7	100-6653	1	O-Ring
9	100-6708	14	Fork
10	106-4896	4	Fitting-Bulkhead
10:1	100-6710	1	Gasket-Bulkhead
11	100-6706	2	Nozzle-Agitation
12	106-4944	2	Fitting-90 DEG
12:1	100-6712	1	O-Ring
13	100-6713	4	Nut-Bulkhead
14	106-4945	1	Elbow
14:1	100-6712	1	O-Ring
15	106-4943	1	Adapter ASM
15:1	100-6712	1	O-Ring
16	100-6722	1	Nipple
17	100-6723	1	Tee
18	107-2802	1	Connector
18:1	100-6712	2	O-Ring
19	104-9041	2	Tee



Control Valve Assembly

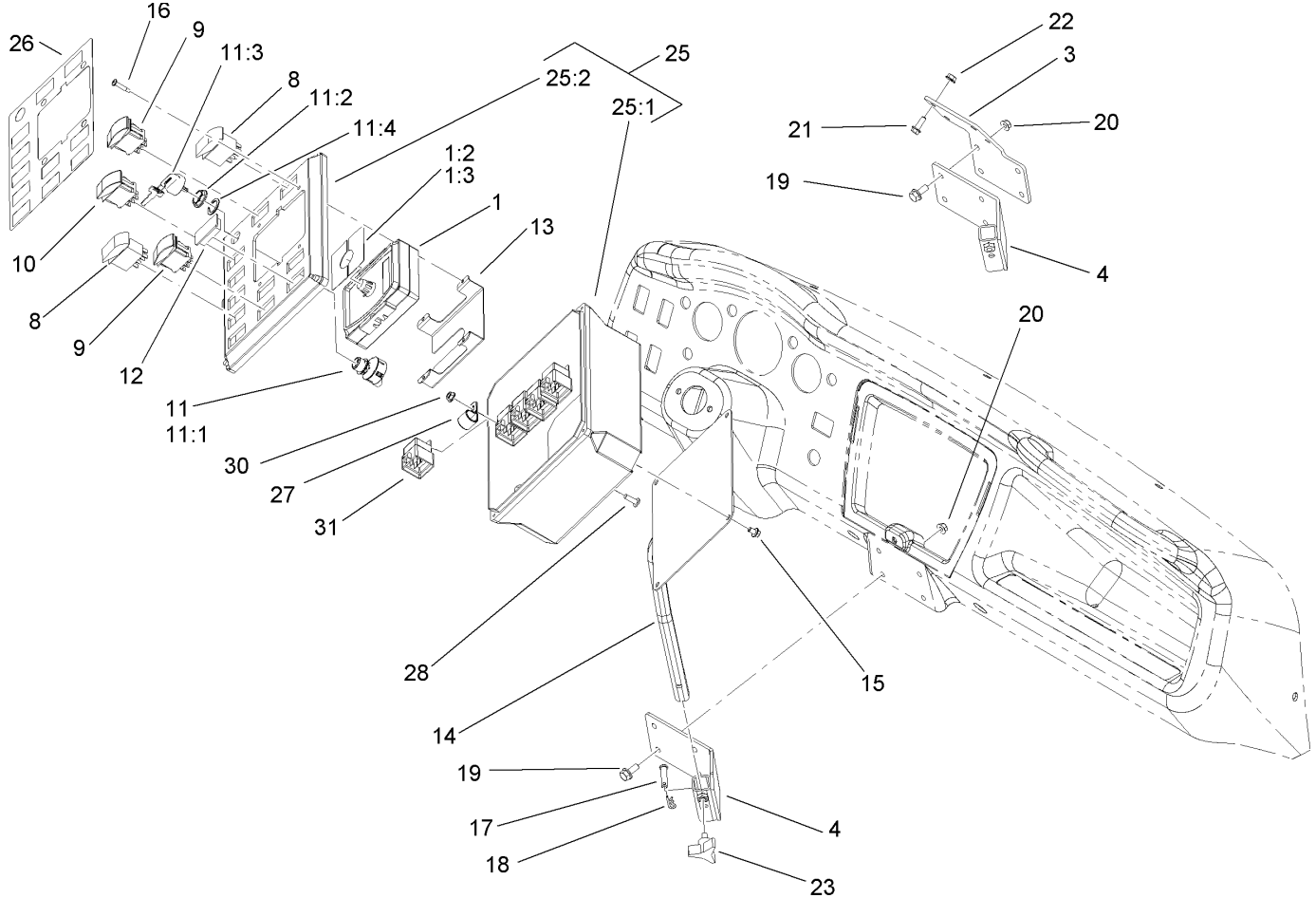
Ref	Part No.	Qty.	Description
1		1	Valve-Control, Evc
2	2412-3	1	Clamp-Hose
3	2412-129	3	Clamp-Hose
4	108-3720	2	Hose-Boom, LH
5	3234-5	3	Screw-HHF
6	100-8432-03	2	Bracket
7	107-2847-03	1	Bracket-Valve
8	32128-49	2	Nut-HHF
9	3234-32	2	Screw-HHF
10	95-2229	1	Hose
11	100-8433-03	1	Bracket
12	107-8738	4	Decal-Fuse, 3 Amp
13	3290-378	4	Tie-Cable
14	3290-379	1	Tie-Cable



EVC Control Valve Assembly

Ref	Part No.	Qty.	Description
1	100-6897	1	Bushing
2	100-6909	1	Rod-Threaded
3	100-6887	2	O-Ring
4	100-6882	5	O-Ring
5	100-6646	5	O-Ring
6	100-6885	9	Fork-Valve, Boom
8	99-0850	3	Nut
9	100-6892	4	O-Ring
10	100-6913	1	Cover
11	100-6908	1	T-Piece
12	100-6891	1	Cap-End
13	100-6890	2	Joiner-Bypass, Boom
14	100-6896	2	Joiner-Valve, Boom
15	100-6915	1	Cover-End
16	100-6894	2	Nut
17	100-6634	2	Washer
21	100-6920	1	Housing-Meter, Flow
22	100-6900	1	Flow Sensor ASM
22:1	100-6906	1	Shaft-Rotor
22:2	100-6919	1	Meter-Flow, Rotor
22:3	100-8678	1	Nut
22:4	100-8653	1	O-Ring
23	100-6907	1	Fork
24	106-5112	3	Hosebarb ASM

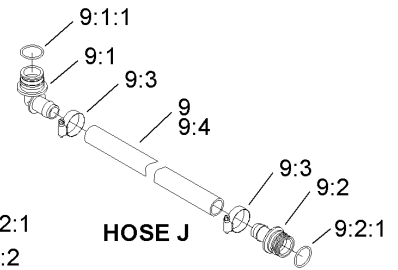
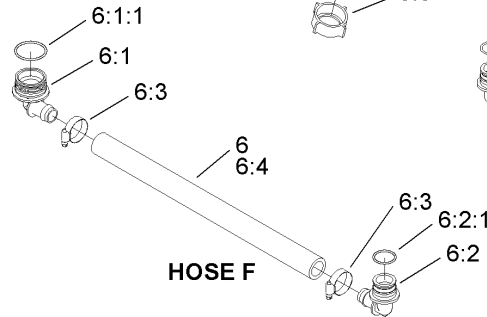
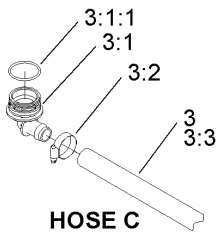
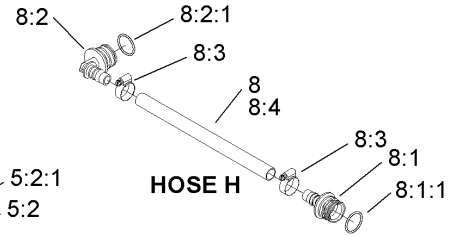
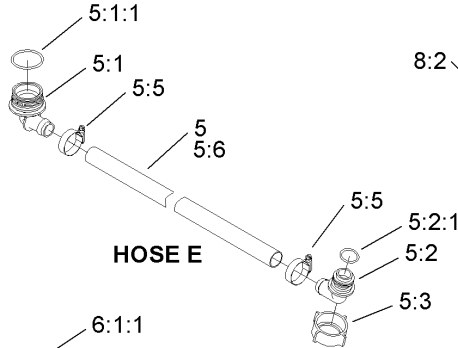
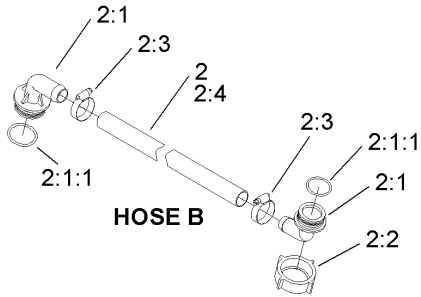
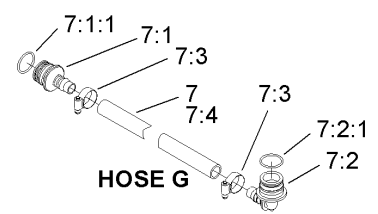
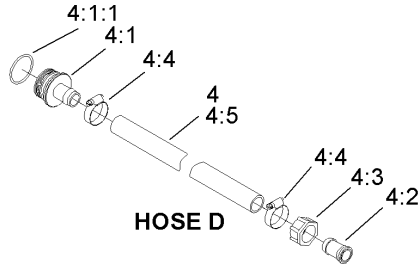
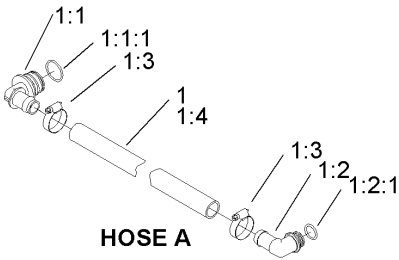
Ref	Part No.	Qty.	Description
24:1	100-6645	1	O-Ring
25	108-3351	1	Rate Control Motor ASM
25:1	108-3341	1	Motor-Control, Rate
25:1:1	100-6876	1	Screw
25:1:2	100-6877	1	Washer-Lock
25:1:3	100-6903	1	Grip-Hand
25:1:4	100-6880	1	O-Ring
25:2	107-8738	1	Decal-Fuse, 3 Amp
26	100-6918	4	Screw-Plastic
27	100-6904	1	O-Ring
28	110-5140	1	Rate Valve Repair Kit
29	100-6917	16	Screw-Plastic
30	100-6901	1	Gasket-Housing, Valve Motor
31	100-6899	1	Section-Spindle, Valve Rate
32	100-6916	6	Screw-Plastic
33	108-3257	3	Boom Motor Valve ASM
33:1	108-3340	1	Motor-Valve, Boom
33:1:1	100-6876	1	Screw
33:1:2	100-6877	1	Washer-Lock
33:1:3	100-6880	1	O-Ring
33:1:4	100-6874	1	Cover-Valve, Boom
33:1:5	100-6912	1	Cover-Seal
33:1:6	100-6875	1	Handgrip-Valve, Boom
33:2	107-8738	1	Decal-Fuse, 3 Amp
34			
34:1			
34:2			
34:3			
34:4			
34:5			
34:6			
34:7			
35			
35:1			
35:2			



Control Box Assembly

Ref	Part No.	Qty.	Description
1	108-3312	1	Monitor-Spray
1:2	108-3307	1	Decal-Monitor
1:3	108-3309	1	Decal-Monitor, Ce
3	107-2811-03	1	Bracket-Adapter, Control
4	106-7992-03	1	Receiver ASM
8	100-8490	4	Switch-Dpdt
9	100-1535	3	Switch
10	100-8589	1	Switch-Rocker
11	110-2580	1	Switch-Key, Supervisor
②11:1		1	Switch-Key
11:2	108-8660	1	Nut-Mounting
11:3	110-5221	1	Set-Key, Supervisor
11:4	108-8659	1	Washer-Backup
12	99-7420	3	Plug-Hole
13	107-2831	1	Bracket-Monitor
14	106-7995-03	1	Control Box Mount ASM
15	3234-26	4	Screw
16	104-1451	4	Screw-TAP, PPH
17	283-6	1	Pin-Clevis
18	3290-307	1	Pin-Hair
19	3234-17	4	Screw-HHF
20	104-8300	4	Nut-Flange, NI
21	3234-4	4	Screw-HHF
22	32128-33	4	Nut-HF

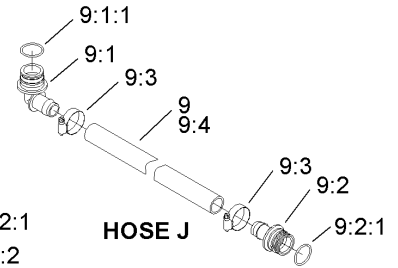
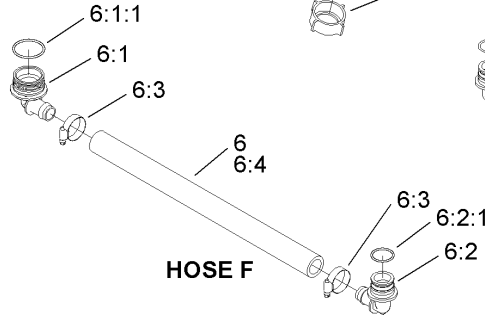
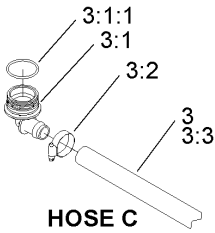
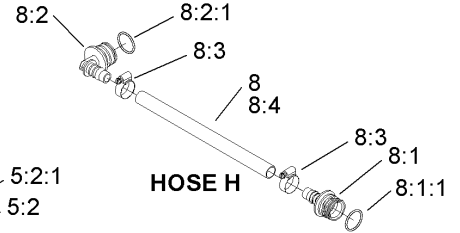
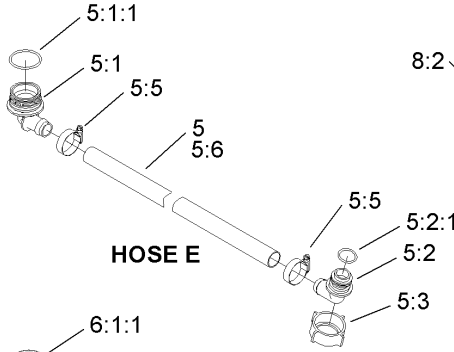
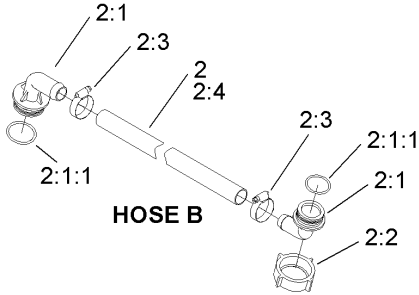
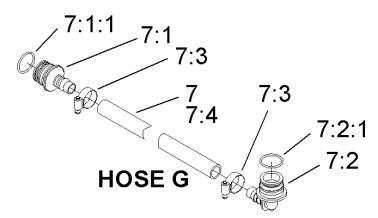
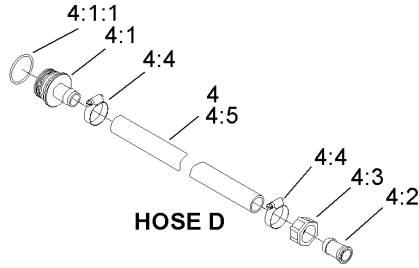
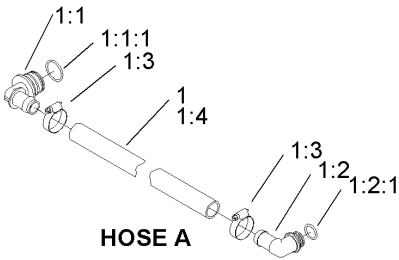
Ref	Part No.	Qty.	Description
23	92-9674	1	Knob
②25		1	Control Enclosure ASM
25:1	106-1427	1	Base-Enclosure, Control
25:2	110-5223	1	Cover-Enclosure, Control
26	107-2825	1	Decal-Switchplate
27	2412-126	1	R-Clamp
28	321-5	1	Screw-HH
30	32128-33	1	Nut-HF
31	99-7430	5	Relay



Hose Assembly

Ref	Part No.	Qty.	Description
②1		1	Boom Bypass Hose ASM
1:1	106-4945	1	Elbow
1:1:1	100-6712	1	O-Ring
1:2	106-4948	1	Hose Barb ASM
1:2:1	100-6882	1	O-Ring
1:3	2412-3	2	Clamp-Hose
1:4	104-9037	1	Hose-Bypass, Boom
②2		1	Agitation Supply Hose ASM
2:1	106-4950	2	Hose Barb ASM
2:1:1	100-8671	1	O-Ring
2:2	100-8669	1	Nut
2:3	2412-3	2	Clamp-Hose
2:4	104-8710	1	Hose
②3		1	Tee Controls Hose ASM
3:1	106-4933	1	Hosebarb ASM
3:1:1	100-8637	1	O-Ring
3:2	2412-3	1	Clamp-Hose
3:3	107-2832	1	Hose
②4		1	Manifold Tee Hose ASM
4:1	106-4932	1	Hosebarb-Straight
4:1:1	100-8637	1	O-Ring
4:2	99-0781	1	Hosebarb
4:3	99-0769	1	Nut
4:4	2412-3	2	Clamp-Hose

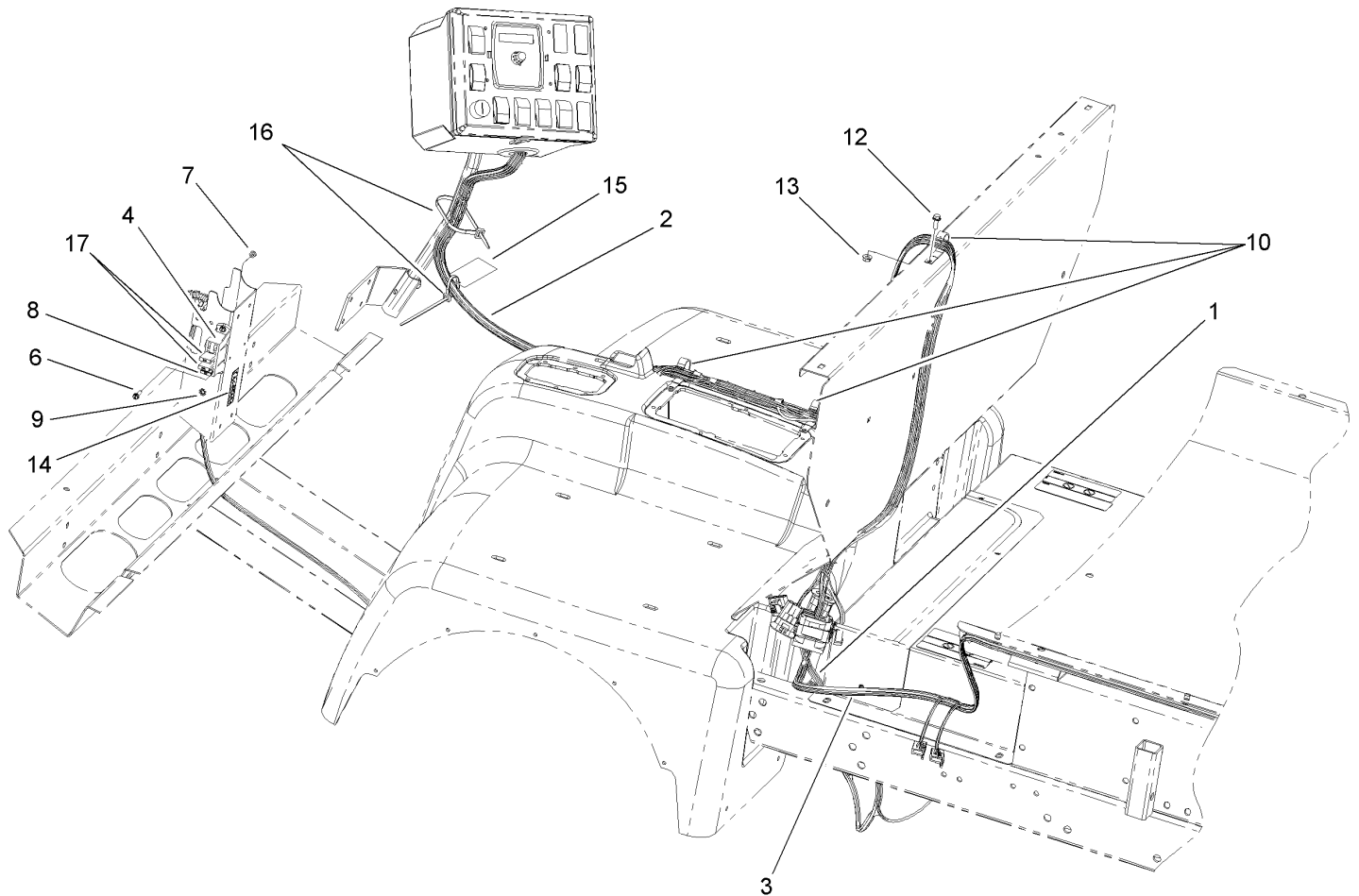
Ref	Part No.	Qty.	Description
4:5	107-2807	1	Hose
②5		1	Relief Valve Hose ASM
5:1	106-4933	1	Hosebarb ASM
5:1:1	100-8637	1	O-Ring
5:2	106-4949	1	Hosebarb
5:2:1	100-6646	1	O-Ring
5:3	100-8678	1	Nut
5:5	2412-3	2	Clamp-Hose
5:6	104-8710	1	Hose
②6		1	Agitation Valve Hose ASM
6:1	106-4933	1	Hosebarb ASM
6:1:1	100-8637	1	O-Ring
6:2	106-4945	1	Elbow
6:2:1	100-6712	1	O-Ring
6:3	2412-3	2	Clamp-Hose
6:4	106-4975	1	Hose
②7		1	Front Agitation Hose ASM
7:1	106-4939	1	Hosebarb-Straight
7:1:1	100-6712	1	O-Ring
7:2	106-4940	1	Hosebarb-90 DEG
7:2:1	100-6712	1	O-Ring
7:3	2412-129	2	Clamp-Hose
7:4	107-2813	1	Hose
②8		1	Middle Agitation Hose ASM



Hose Assembly (continued)

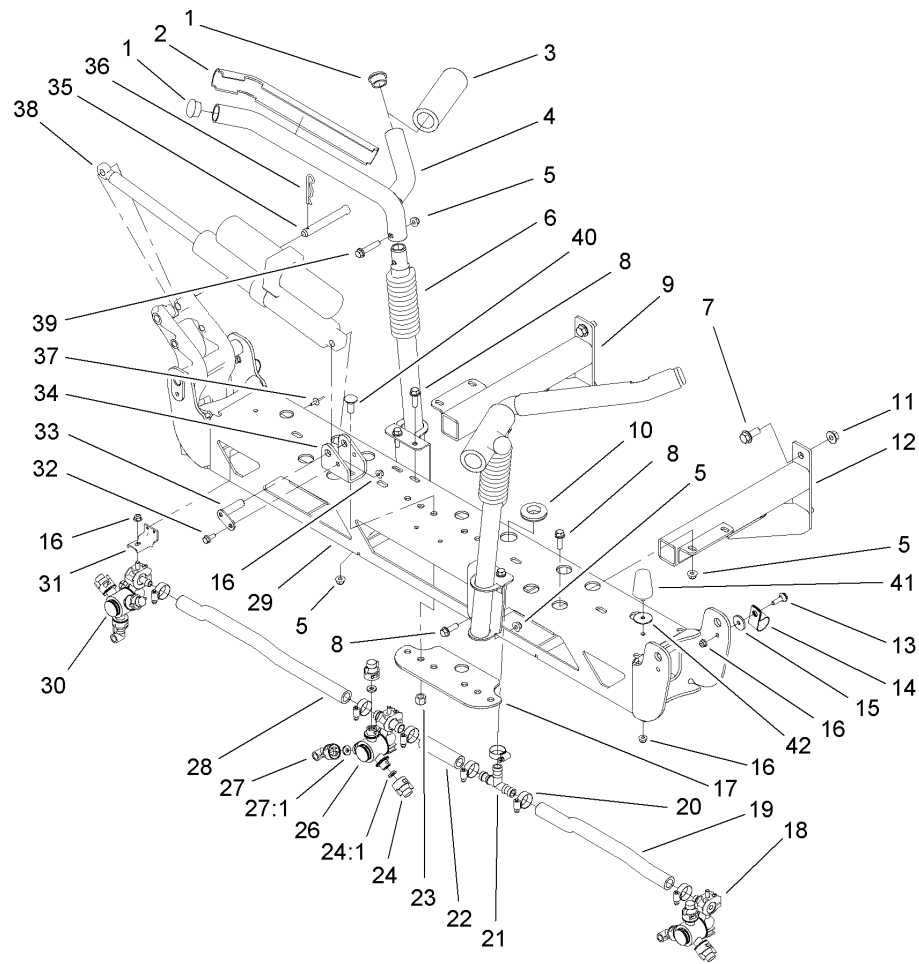
Ref	Part No.	Qty.	Description
8:1	106-4939	1	Hosebarb-Straight
8:1:1	100-6712	1	O-Ring
8:2	106-4940	1	Hosebarb-90 DEG
8:2:1	100-6712	1	O-Ring
8:3	2412-129	2	Clamp-Hose
8:4	106-1360	1	Hose
29		1	Agitation Tee Hose ASM
9:1	106-4945	1	Elbow
9:1:1	100-6712	1	O-Ring
9:2	106-4935	1	Hosebarb ASM
9:2:1	100-6712	1	O-Ring
9:3	2412-3	2	Clamp-Hose
9:4	107-2812	1	Hose

--	--	--	--



Electrical Harness Assembly

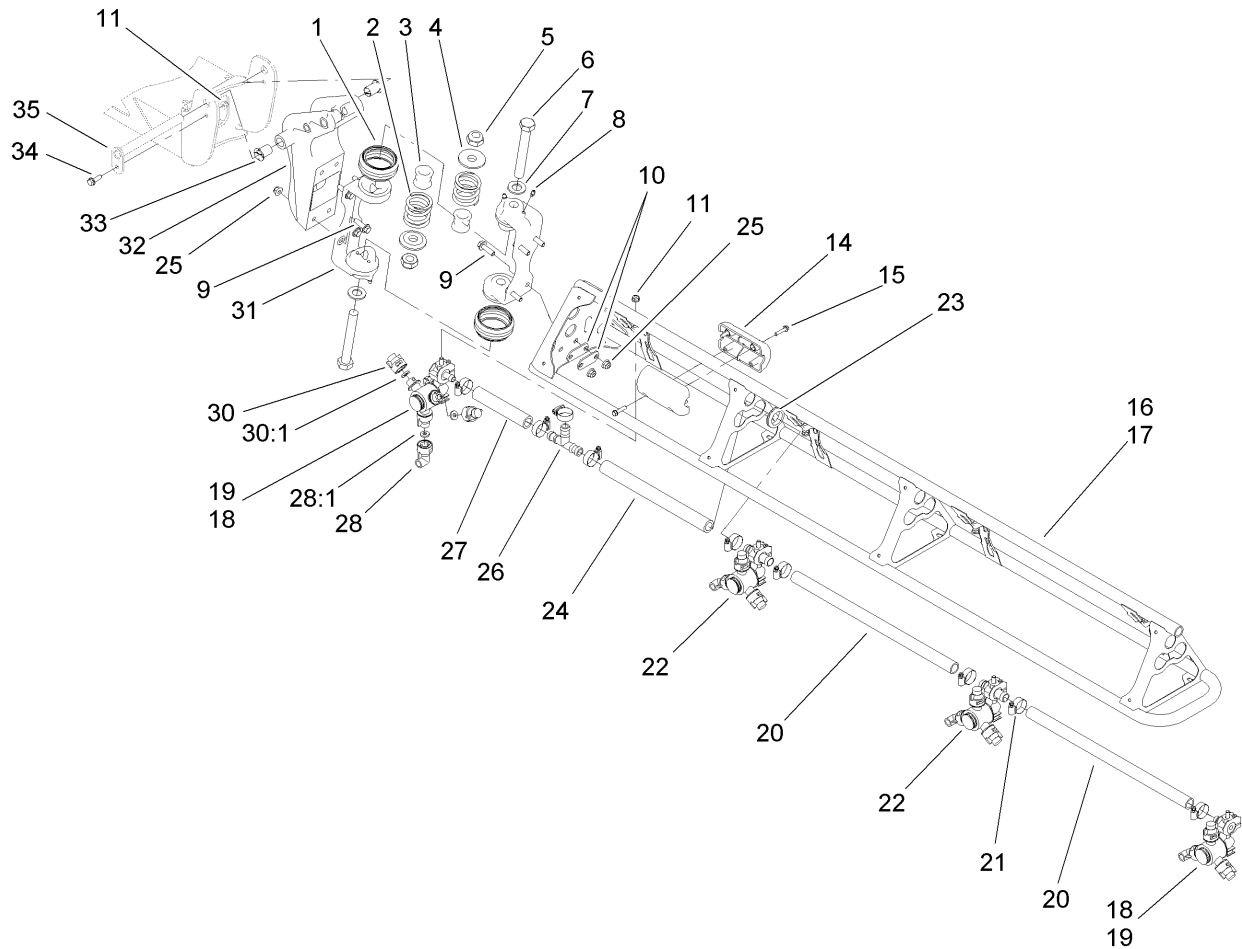
Ref	Part No.	Qty.	Description
1	106-1417	1	Harness-Wire, Sprayer Power
2	112-3533	1	Harness-Wire, Spray Controller
3	106-1419	1	Harness-Wire, Sprayer Main
①3:1	108-9493	2	Diode-Tvs
①3:2	107-8745	4	Fuse-Blade, 3 Amp
4	92-2641	1	Block-Fuse
6	32105-13	2	Screw-SHH
7	3296-2	2	Nut-Lock
8	218-578	1	Fuse-10 Amp
9	3255-7	1	Washer-Lock / EXT
10	106-1429	3	Clamp-J
12	3234-4	1	Screw-HHF
13	32128-33	1	Nut-HF
14	106-1425	1	Decal-Fuse Block
15	104-8900	1	Tag-Monitor
16	3290-378	2	Tie-Cable
17	108-3736	2	Breaker-Circuit, 30A



Center Boom Assembly

Ref	Part No.	Qty.	Description
1	108-3489	4	Cap-Tube
2	108-3495	2	Cover-Slide
3	108-3457	2	Spacer
4	108-3476-03	2	Upper Cradle ASM
5	104-8301	12	Nut-Flange, NI
6	108-3472-03	2	Lower Cradle ASM
7	110-5057	4	Capscrew-HHF
8	110-5050	10	Screw-HHF
9	108-3408-03	1	Frame-Mount, Boom (LH)
10	108-3723	1	Grommet
11	108-3745	4	Nut-HF, Whiz
12	108-3409-03	1	Frame-Mount, Boom (RH)
13	108-3744	2	Screw-Shoulder
14	2412-82	2	Clamp
15	108-3743	2	Washer
16	104-8300	9	Nut-Flange, NI
17	108-3469-03	1	Plate-Washer
18	108-3726	1	Body-Turret, Single (RH)
19	108-3718	1	Hose-Boom, Center (RH)
20	2412-129	7	Clamp-Hose
21	108-3439	1	Tee
22	108-3717	1	Hose-Boom
23	3296-23	4	Nut-Lock, NI
24	95-9187	6	Cap-Blank

Ref	Part No.	Qty.	Description
24:1	40998	1	Seat-Gasket
26	108-3727	1	Body-Turret, Double
27	95-9186	3	Cap
27:1	40998	1	Seat-Gasket
28	108-3735	1	Hose-Boom, Center (LH)
29	108-3410-03	1	Frame ASM
30	108-3725	1	Body-Turret, Single (LH)
31	107-8775	3	Bracket-Mount, Nozzle
32	110-5053	2	Screw-Flange
33	108-3420	2	Pivot Pin ASM
34	108-3401-03	2	Strap-Clevis
35	108-3436	2	Pin-Clevis
36	3290-468	2	Pin-Cotter
37	3269-18	6	Rivet-Pop
38	108-3438	2	Actuator
39	108-3742	2	Screw-HHF
40	110-5067	4	Screw-CARR
41	110-5070	2	Bumper-Neoprene
42	3256-68	2	Washer-Flat



Left and Right Hand Boom Assembly

Ref	Part No.	Qty.	Description
1	108-3459	4	Boot-Hinge
2	108-3440	4	Spring-Breakaway, Boom
3	108-3730	4	Tube-Hinge
4	108-3444	4	Retainer-Spring
5	3296-15	4	Nut-Lock, NI
6	108-3738	4	Screw-HH
7	110-5054	4	Washer-Flat
8	302-5	8	Fitting-Grease
9	110-5050	16	Screw-HHF
10	108-3605	8	Plate-Backing
11	104-8300	10	Nut-Flange, NI
14	108-3429	4	Block-Slide
15	108-3746	8	Screw-Plastite
16	108-3524-03	1	RH Boom ASM
17	108-3525-03	1	LH Boom ASM
18	108-3726	2	Body-Turret, Single (RH)
19	108-3725	2	Body-Turret, Single (LH)
20	40506	4	Hose-Jumper
21	2412-129	18	Clamp-Hose
22	108-3727	4	Body-Turret, Double
23	240-3	4	Grommet-Rubber
24	108-3721	2	Hose-Boom
25	104-8301	16	Nut-Flange, NI
26	108-3439	2	Tee

Ref	Part No.	Qty.	Description
27	108-3728	2	Hose-Boom
28	95-9186	8	Cap
28:1	40998	1	Seat-Gasket
30	95-9187	16	Cap-Blank
30:1	40998	1	Seat-Gasket
31	108-3471-03	4	Hinge
32	108-3600-03	2	Bracket-Pivot
33	100-8541	4	Bushing-A Arm
34	108-3748	2	Screw-HHF
35	108-3419	2	Pivot Pin ASM

Attachments and Accessories

For 41235 - Workman 200 Spray System, Heavy-Duty Workman Vehicles

Product Name	Model/Part
Single Nozzle Kit	41024
Sonic Boom	41089
Hose Reel Kit	41097
Spray Gun Kit	41133
Pro Foam Concentrate (4 X 1 Gallon)	41157
Foam Marker Kit	41228
Enclosed Boom	41355
Enclosed Boom Mount	41363
Pro-Foam	41607

NOTES

NOTES

