



Super Recycler[®] Lawn Mower

Model No. 20056 - 270000001 and up.

Parts Catalog

Ordering Replacement Parts

To order replacement parts, please supply the part number, the quantity, and the description of each part desired.

Understanding Reference Numbers

Each identified part in an illustration has a reference number. The reference number for a part also appears in the parts list, along with other information about the part.

This catalog uses two special reference number formats, one to indicate parts in a service assembly and another to indicate the quantity of a given part in an illustration.

Service Assembly Reference Numbers

Parts in service assemblies have reference numbers in the form a:b. The a represents the reference number of the entire service assembly and the b represents a sequential number unique to each part within the service assembly.

For example, a wheel assembly might be identified by reference number 6, the tire by 6:1, the valve by 6:2, and the wheel by 6:3. When you order the assembly identified by reference number 6, you receive all parts identified by reference numbers 6:1, 6:2, and 6:3. However, you may also order any part individually. Reference numbers of this type appear in illustrations and in part lists.

Reference Numbers Indicating Quantity

In an illustration, if a reference number indicates more than one part, the reference number has the form nX y. The n represents the quantity of the part, the X is the multiplication symbol, and the y represents the reference number.

For example, in an illustration, the reference number 2X 37 means that two of the parts identified by reference number 37 are indicated.

Contents

Description	Page	Description	Page
Housing Assembly 3	Carburetor Assembly Briggs and Stratton 126T02-0209-B1 15
Housing Assembly No. 112-8862 4	Air Cleaner Assembly Briggs and Stratton 126T02-0209-B1 16
Height-of-Cut Assembly 5	Governor Assembly Briggs and Stratton 126T02-0209-B1 17
Transmission Assembly 6	Muffler and Fuel Tank Assembly Briggs and Stratton 126T02-0209-B1 18
Gear Case Assembly No. 108-8140 7	Blower Housing Assembly Briggs and Stratton 126T02-0209-B1 19
Engine and Blade Assembly 8	Starter Assembly Briggs and Stratton 126T02- 0209-B1 20
Handle Assembly 9	Engine Gasket Set Briggs and Stratton 126T02-0209-B1 21
Brake Bail and Cable Assembly 10	Carburetor Overhaul Kit Briggs and Stratton 126T02-0209-B1 22
Grass Bag Assembly 11	Attachments and Accessories List 23
Cylinder Assembly Briggs and Stratton 126T02-0209-B1 12		
Crankshaft Assembly Briggs and Stratton 126T02-0209-B1 13		
Crankcase Assembly Briggs and Stratton 126T02-0209-B1 14		

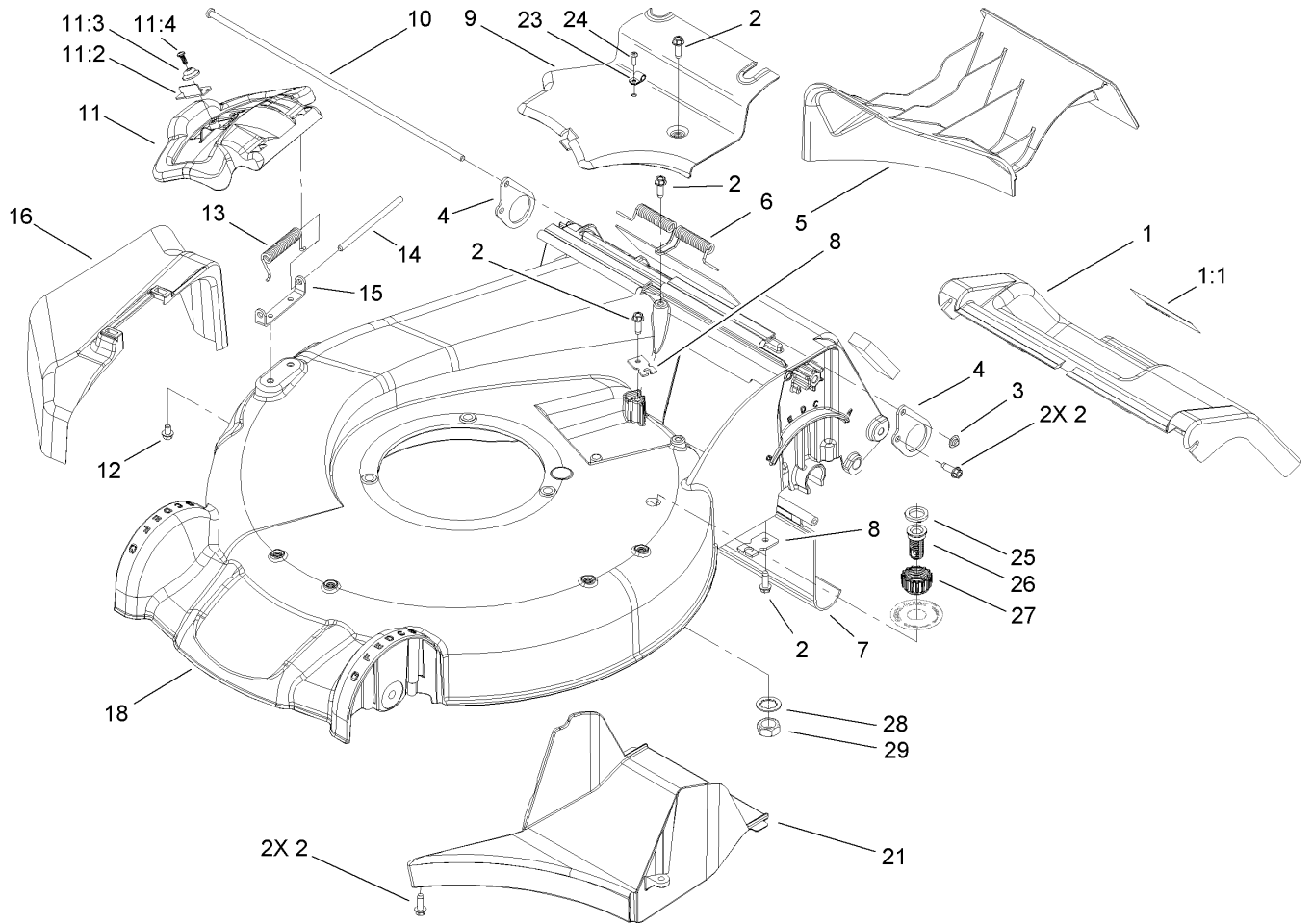
Part Description Abbreviations

Part descriptions in this catalog may include the following abbreviations.

AR. as required	HYD. hydraulic
ASM. assembly	LH. left hand
BBC. blade brake clutch	NI. nylon insert
CARR. carriage	NPTF. national pipe thread fine
DEG. degrees	PFH. phillips flat head
EXT. external	PPH. phillips pan head
FH. flat head	PPHTF. phillips pan head thread forming
GA. gauge	PRH. phillips round head
HD. heavy-duty	PTH. phillips truss head
HF. hex flange	PTO. power-take-off
HH. hex head	RH. right hand
HHF. hex head flange	ROPS. roll-over protection system
HHFTF. hex head flange thread forming	SFH. slotted fillister head
HJ. hex jam	SHH. slotted hex head
HLH. hex lag head	SHWH. slotted hex washer head
HOC. height-of-cut	SPH. slotted pan head
HSBH. hex socket button head	SQH. square head
HSFH. hex socket flat head	SRH. slotted round head
HSH. hex socket head	STD. standard
HWH. hex washer head	TAP. self tapping
HWHTF. hex washer head thread forming	TTH. torx truss head

Footnotes

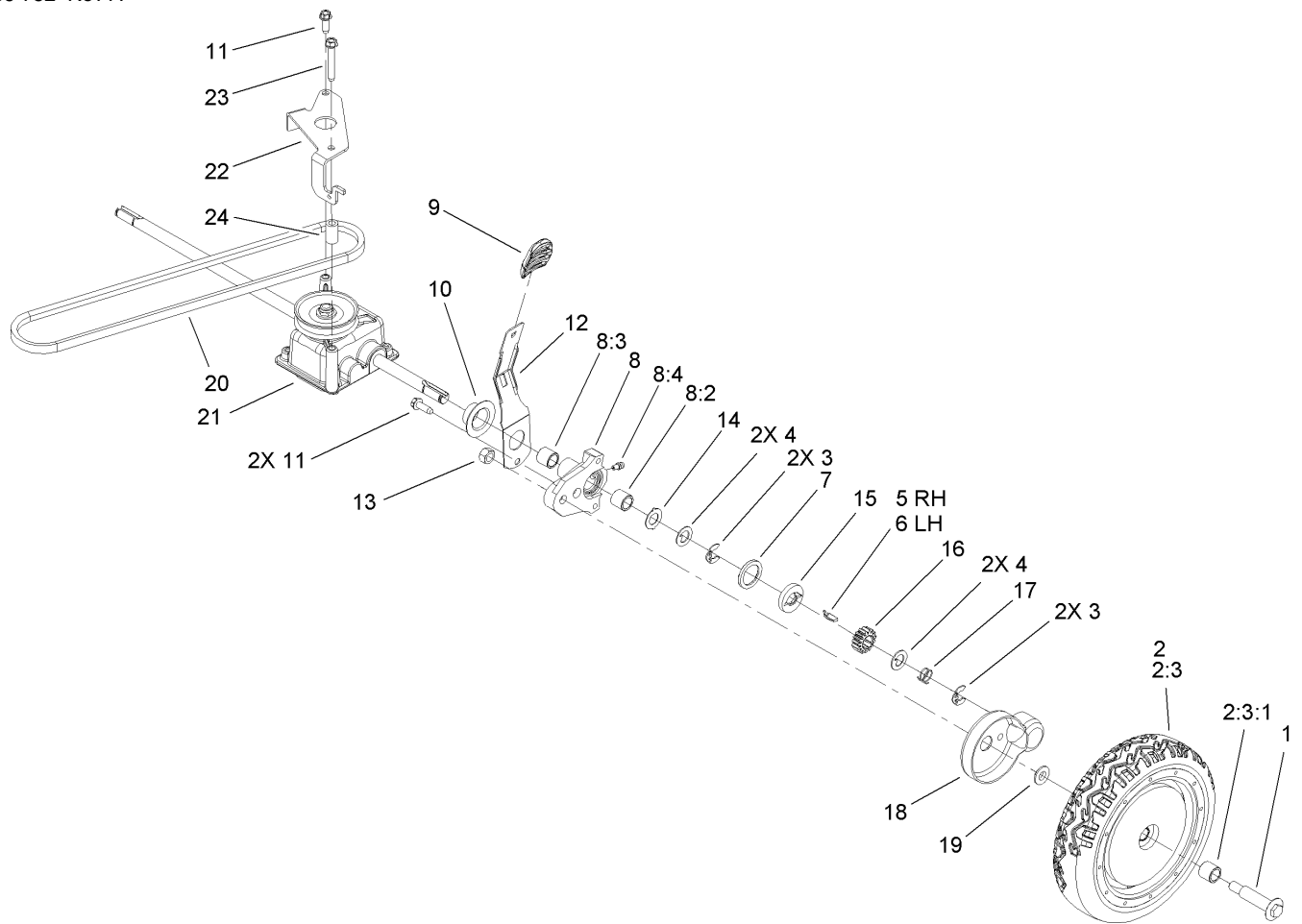
- | | |
|---|--|
| ❶ Not illustrated | ❷ Not serviced separately |
| ❸ Obtain from your local Briggs & Stratton dealer | ❹ Included in Carburetor Overhaul Kit (Ref. No. 121) |
| ❺ Included in Engine Gasket Set (Ref. No. 358) | ❻ Included in Carburetor Gasket Set (Ref. No. 977) |



Housing Assembly

Ref	Part No.	Qty.	Description
1	108-8169	1	Door-Service
1:1	105-1295	1	Decal-Warning
2	49-2040	8	Screw-HWHTF
3	3290-337	1	Nut-Speed
4	107-7493	2	Plate-Support, Door
5	107-7490	1	Plug-Mulch
6	105-3032	1	Spring-Door, Rear
7	114-1586	1	Shield-Trailing
8	107-7497	2	Bracket-Cable, Traction
9	107-7494	1	Cover-Belt
10	107-7499	1	Rod-Support, Door
11	107-3717	1	Discharge Door ASM
11:2	107-0795	1	Latch-Door
11:3	107-7456	1	Cap-Door
11:4	107-7461	1	Screw-Plastite
12	99-8445	2	Screw-HWH
13	99-5293	1	Spring-Torsion
14	99-5291	1	Rod-Cover
15	112-6416	1	Bracket-Cover
16	108-3753	1	Chute-Discharge, Side
18	112-8862	1	Housing ASM
21	107-7495	1	Tunnel-Discharge
23	98-2256	1	Clamp
24	32144-32	1	Screw

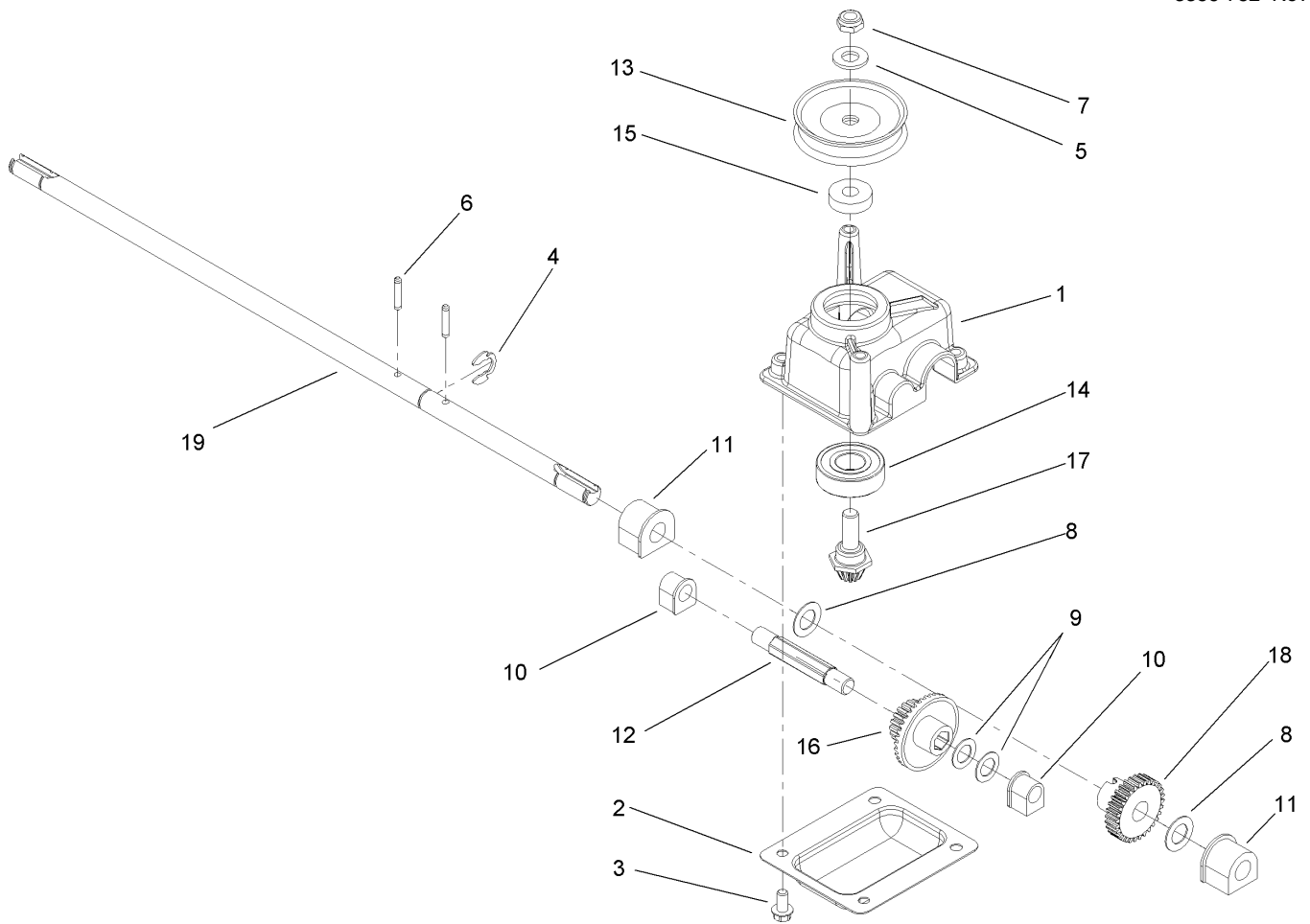
Ref	Part No.	Qty.	Description
25	112-6438	1	Washer-Seal, Washout Port
26	112-6400	1	Port-Washout
27	112-6401	1	Coupling-Hose, Washout Port
28	3254-5	1	Washer-Tooth
29	3218-6	1	Nut-Jam



Transmission Assembly

Ref	Part No.	Qty.	Description
1	92-1057	2	Bolt-Shoulder
2	107-3709	2	Wheel Gear ASM
2:3		1	Wheel ASM
2:3:1	27-6250	2	Bushing
3	65-2720	4	Klipring-Locking
4	65-4740	4	Washer-Thrust, Keyed
5	66-6040	1	Key-Rocking, RH
6	66-6050	1	Key-Rocking, LH
7	65-4710	2	Ring-Friction
8	100-8774	2	Pivot Arm ASM
8:2	47-2900	1	Bushing
8:3	70-9760	1	Bushing
8:4	302-56	1	Fitting-Grease
9	105-3042	2	Knob-Lever, HOC
10	42-3520	2	Cap-End
11	49-2040	3	Screw-HWHTF
12	107-7491	2	Arm-Spring
13	603773	2	Nut
14	65-4730	2	Washer-Arm, Pivot
15	65-4760	2	Washer-Clutch
16	65-4750	2	Gear-Pinion
17	65-4720	2	Spring-Compression
18	74-1660	2	Cover-Wheel
19	74-1671	2	Spacer-Cover, Wheel

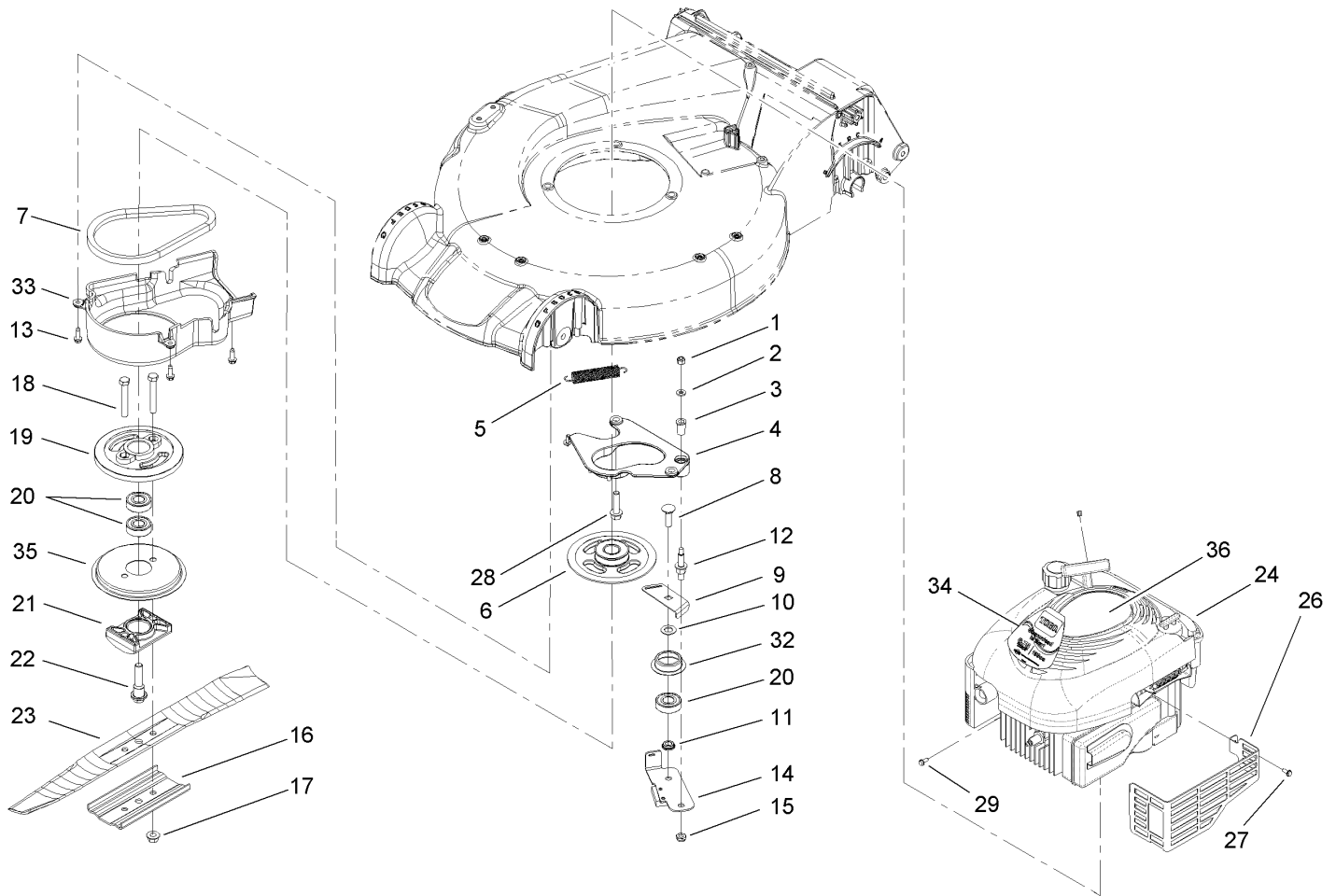
Ref	Part No.	Qty.	Description
20	99-1597	1	V-Belt
21	108-8140	1	Gear Case ASM
22	107-7483-03	1	Bracket-Gearbox
23	92-1616	1	Screw-HWHTF
24	614673	1	Bushing-Plate, Actuator



Gear Case Assembly No. 108-8140

Ref	Part No.	Qty.	Description
1	104-7619	1	Case-Gear
2	614668-03	1	Cover-Case, Gear
3	32144-4	4	Screw-HWH
4	32151-68	1	Ring-Retaining
5	3256-24	1	Washer-Flat
6	3285-19	2	Pin-Groove
7	3296-5	1	Nut-Lock
8	36-4780	2	Washer-Plain
9	36-4791	2	Washer-Thrust
10	60-8750	2	Bushing
11	60-8850	2	Bushing
12	614696	1	Shaft-Intermediate
13	100-1176	2	Pulley-Half
14	100-1048	1	Bearing-Ball
15	62-6660	1	Spacer
16	104-1005	1	Gear-19T Spur, 37T Bevel
17	104-7667	1	Gear-Pinion, Bevel
18	104-1004	1	Gear-30T
19	108-8141	1	Shaft-Output

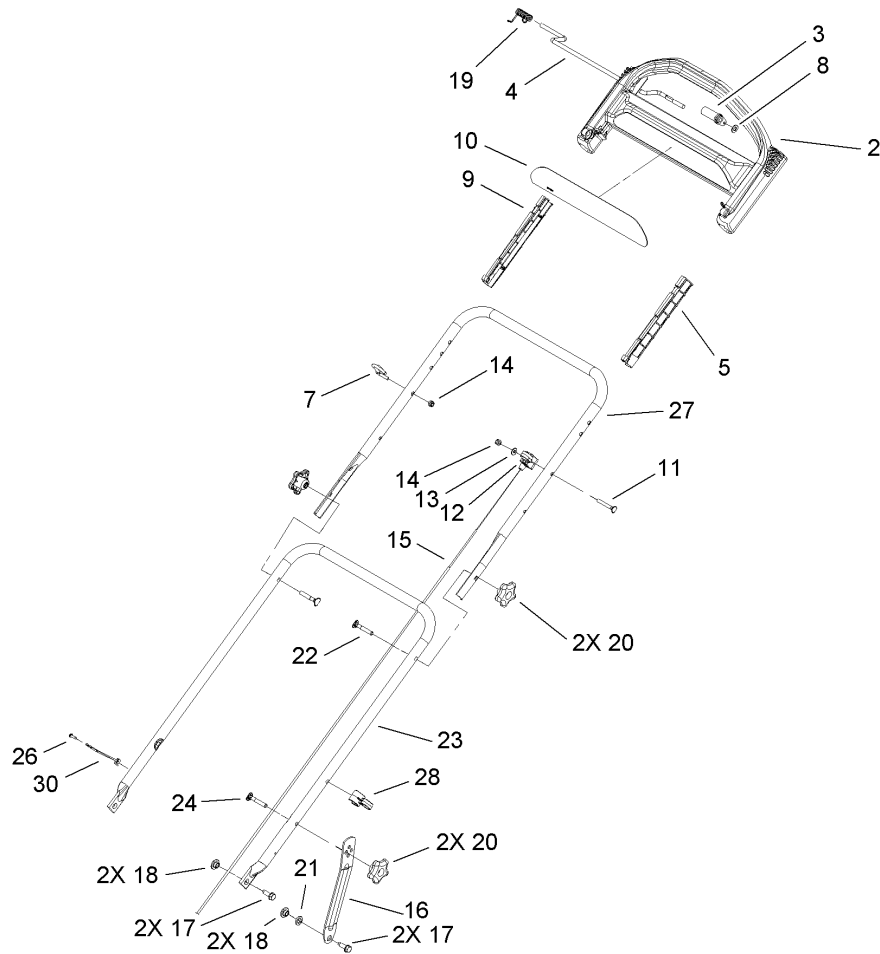
--	--	--	--



Engine and Blade Assembly

Ref	Part No.	Qty.	Description
1	3296-42	1	Nut-Lock, NI
2	3256-16	1	Washer-Flat
3	107-0797	1	Bushing
4	107-0761	1	Plate-Anchor
5	108-3792	1	Spring-Tension, Brake
6	110-7456	1	Pulley
7	110-1790	1	Belt-BBC
8	3231-25	1	Screw-CARR
9	107-7471	1	Plate-Guide
10	605256	1	Washer
11	107-0758	1	Spacer-Bearing
12	107-0759	1	Bolt-Shoulder
13	49-2040	3	Screw-HWHTF
14	107-7477	1	Brake Arm ASM
15	603773	2	Nut
16	108-3766-03	1	Support-Blade
17	54-9190	2	Nut-Lock
18	3211-42	2	Screw-HH
19	107-0754	1	Drum
20	108-3765	3	Bearing-Ball
21	107-7487	1	Support-Blade
22	107-7486	1	Bolt-Crank
23	108-3762-03	1	Blade-Recycling
23	108-3759-03	1	Blade-Bagging

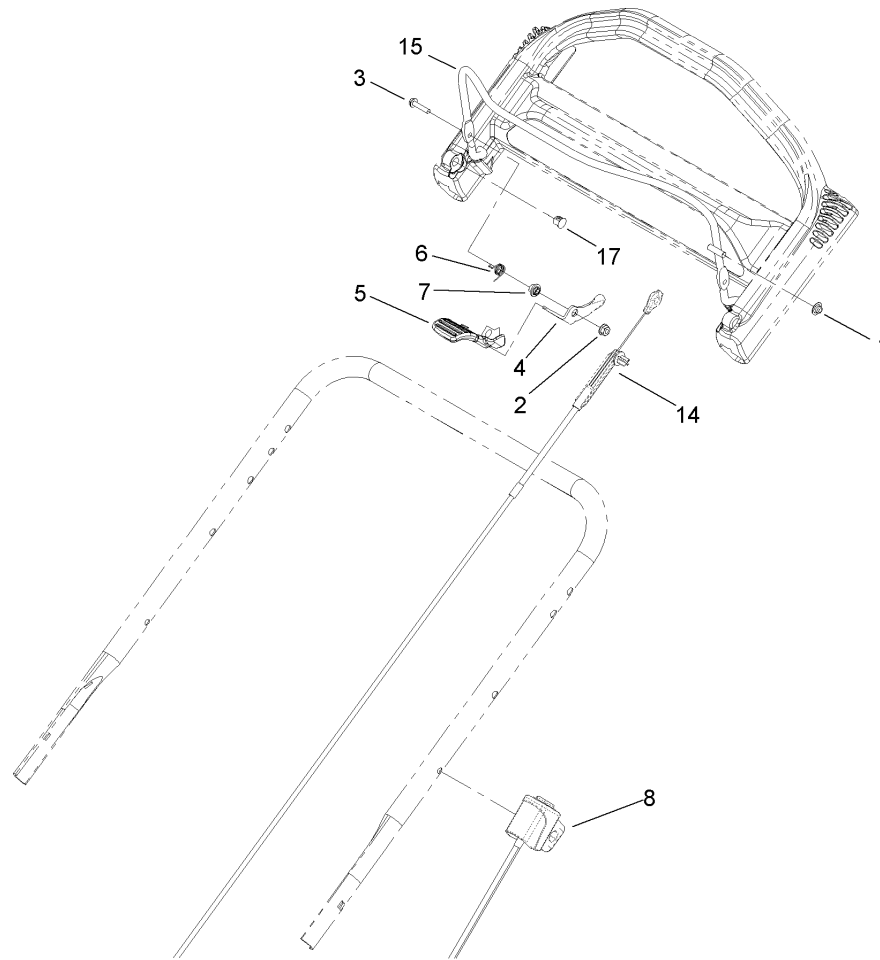
Ref	Part No.	Qty.	Description
●24		1	Engine-Quantum, 126T02-0209-B1
26	104-7577-03	1	Shield-Muffler
27	32144-1	3	Screw-Taptite
28	32144-102	3	Screw-HWH
29	32144-112	1	Screw-HWH
32	108-3790	1	Retainer-Belt
33	107-7488	1	Cover
34	114-0339	1	Decal-Engine
35	108-3787	1	Disc
36	108-8131	1	Decal-Recoil



Handle Assembly

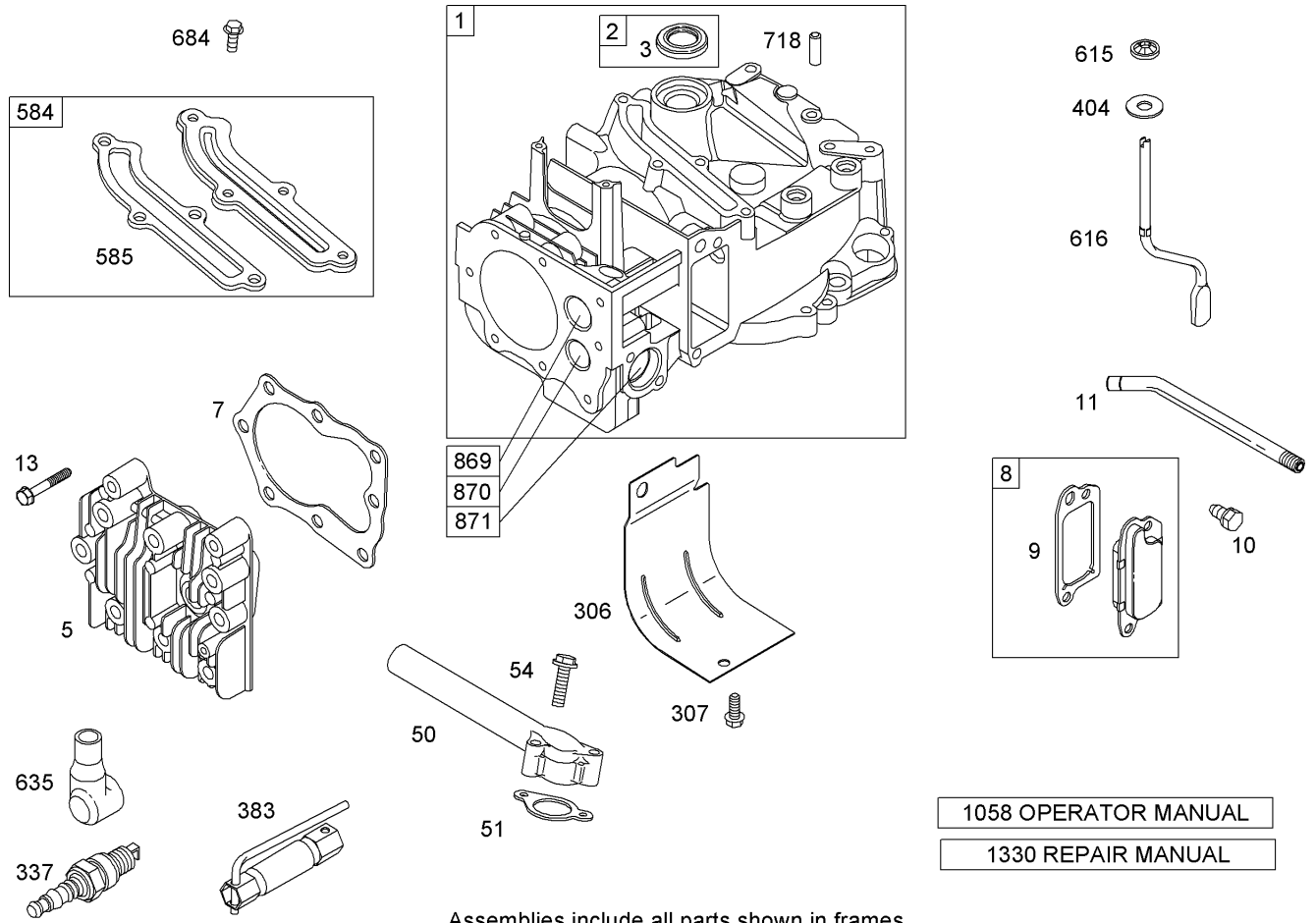
Ref	Part No.	Qty.	Description
2	104-8678	1	Handle-Control
3	99-1589	1	Lever-Traction
4	99-1588	1	Bar-Control, Traction
5	105-6842	1	Guide-LH
7	86-9671	1	Guide-Rope
8	3256-23	1	Washer-Flat
9	105-6841	1	Guide-RH
10	108-8134	1	Decal-Handle
11	321-50	1	Screw-HH
12	99-5239	1	Anchor-Cable
13	3256-1	1	Washer-Flat
14	3296-73	2	Nut-Lock, NI
15	108-8158	1	Cable-Traction
16	108-8145-03	2	Support-Handle
17	701243	4	Screw-HWHTF
18	27-6600	4	Spacer-Coupling
19	104-8690	1	Spring-Torsion
20	108-8162	4	Knob-Locking
21	55-9670	2	Washer
22	92-2260	2	Screw-Handle
23	107-7476-05	1	Handle-Lower
24	92-2260	2	Screw-Handle
26	32144-53	1	Screw-SHWH
27	107-3783-05	1	Handle-Upper

Ref	Part No.	Qty.	Description
28	106-6805	1	Guide-Cable
30	108-9452	1	Hook-Rope, Displacement



Brake Bail and Cable Assembly

Ref	Part No.	Qty.	Description
1	3290-337	1	Nut-Speed
2	32128-17	1	Nut-Lock, Flange
3	106-9169	1	Screw
4	106-6802	1	Lever
5	112-8884	1	Knob-BBC
6	107-7462	1	Spring-Torsion
7	107-7463	1	Spacer
8	108-8161	1	Switch Housing ASM
14	108-8155	1	Cable ASM
15	108-3788-03	1	Bail-Brake
17	104-9368	1	Plug-Dome

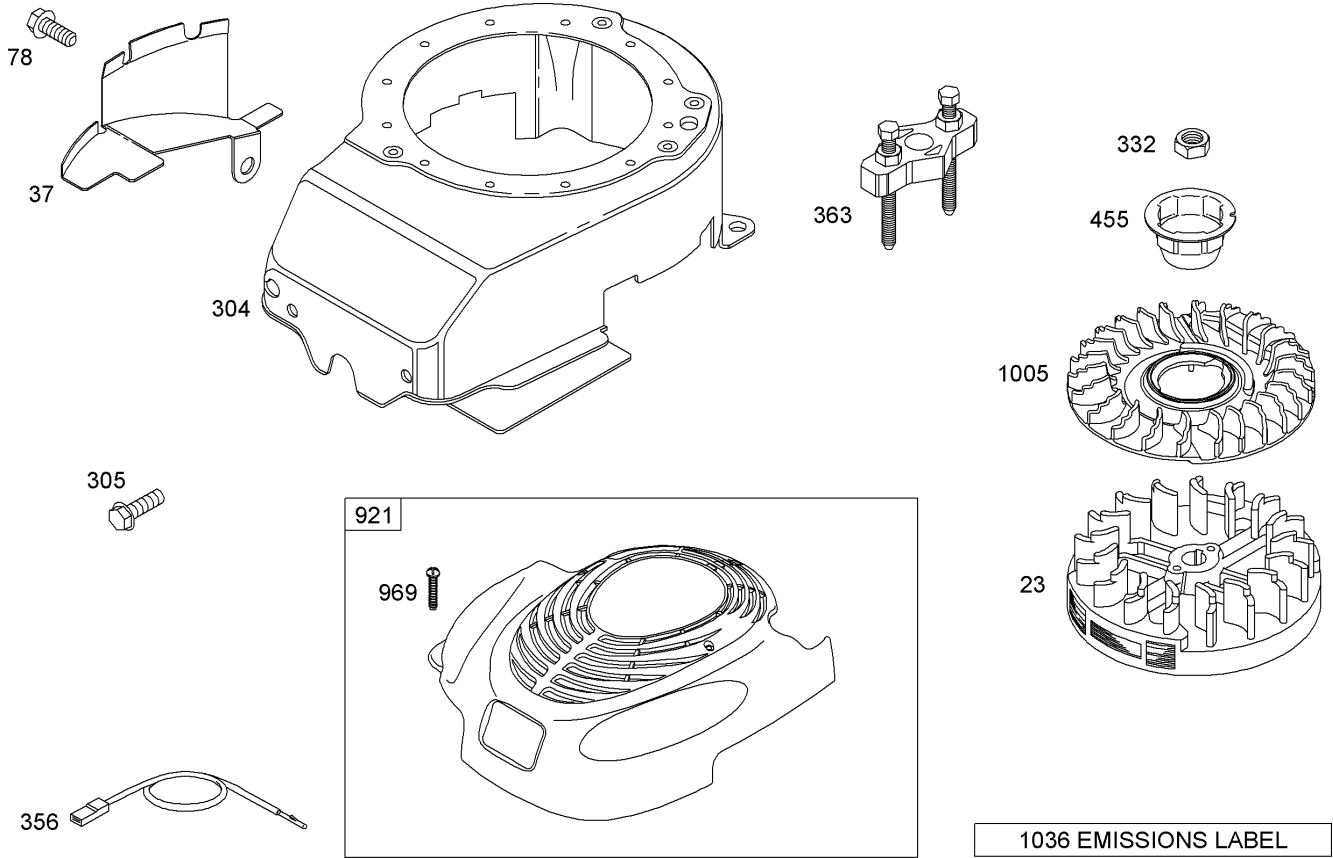


Assemblies include all parts shown in frames

Cylinder Assembly Briggs and Stratton 126T02-0209-B1

Ref	Part No.	Qty.	Description
1	697322	1	Cylinder ASM
2	399269	1	Bushing-Seal Kit
3	299819s	1	Seal-Oil (Magneto Side)
5	691160	1	Head-Cylinder
7	692249	1	Gasket-Head, Cylinder
8	695250	1	Breather ASM
9	699472	1	Gasket-Breather
10	691125	1	Screw (Breather ASM)
11	691781	1	Tube-Breather
13	690912	1	Screw (Cylinder Head)
50	794305	1	Manifold-Intake
51	794306	1	Gasket-Intake
54	691650	1	Screw (Intake Manifold)
306	690450	1	Shield-Cylinder
307	690345	1	Screw (Cylinder Shield)
337	802592s	1	Plug-Spark
383	89838s	1	Wrench-Spark Plug
404	690272	1	Washer (Governor Crank)
584	697734	1	Cover-Passage, Breather
585	691879	1	Gasket-Passage, Breather
615	690340	1	Retainer-Shaft, Governor
616	698801	1	Crank-Governor
635	66538s	1	Boot-Spark Plug
684	690345	1	Screw (Breather Passage Cover)

Ref	Part No.	Qty.	Description
718	690959	1	Pin-Locating
869	691155	1	Seat-Valve (Intake)
870	690380	1	Seat-Valve (Exhaust)
871	262001	1	Bushing-Guide (Exhaust)
871	63709	1	Bushing-Guide (Intake)
1058	MS3260	1	Operator Manual
1330	270962	1	Repair Manual

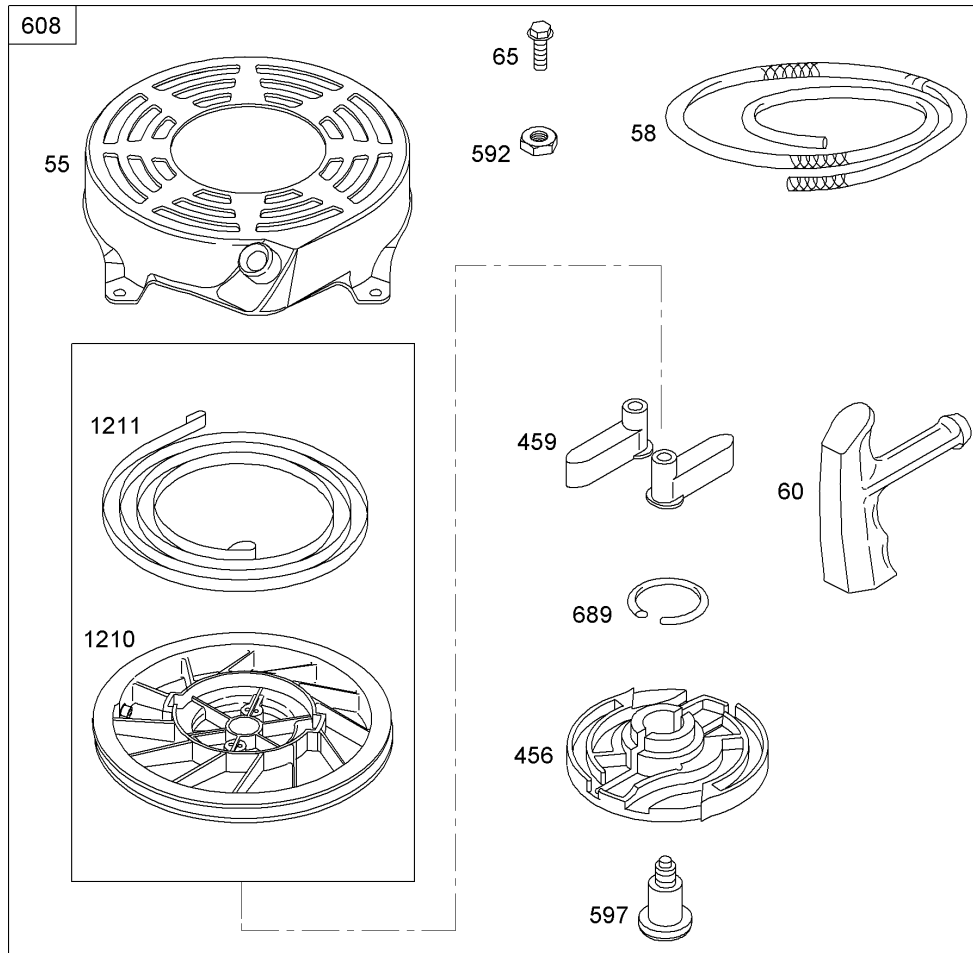


Assemblies include all parts shown in frames

Blower Housing Assembly Briggs and Stratton 126T02-0209-B1

Ref	Part No.	Qty.	Description
● 23	691992	1	Flywheel
● 37	694086	1	Guard-Flywheel
● 78	691108	1	Screw (Flywheel Guard)
● 304	493294	1	Housing-Blower
● 305	691108	1	Screw (Blower Housing)
● 332	690662	1	Nut (Flywheel)
● 356	690791	1	Wire-Stop
● 363	19069	1	Puller-Flywheel
● 455	791960	1	Cup-Flywheel
● 921	790036	1	Cover-Housing, Blower
● 969	691138	1	Screw (Blower Housing Cover)
● 1005	691346	1	Fan-Flywheel
● 1036		1	Label-Emissions

--	--	--	--



Starter Assembly Briggs and Stratton 126T02-0209-B1

Ref	Part No.	Qty.	Description
●55	691421	1	Housing-Starter, Rewind
●58	697316	1	Rope-Starter (Cut To Required Length)
●60	281434s	1	Grip-Rope, Starter
●65	690837	1	Screw (Rewind Starter)
●456	692299	1	Plate-Friction, Pawl
●459	281505s	1	Ratchet-Pawl
●592	690800	1	Nut (Rewind Starter)
●597	691696	1	Screw (Pawl Friction Plate)
●608	497680	1	Starter-Rewind
●689	691855	1	Spring-Friction
●1210	498144	1	Pulley And Spring ASM (Pulley)
●1211	498144	1	Pulley And Spring ASM (Spring)

Attachments and Accessories

For 20056 - Super Recycler Lawn Mower

Product Name

Model/Part

Bagging Blade	108-3759-03
Traction Assist Handle Kit	108-8120

