



## 50cm Recycler<sup>®</sup> Lawn Mower

Model No. 20654 - 270000001 and up.

### Parts Catalog

---

#### **Ordering Replacement Parts**

To order replacement parts, please supply the part number, the quantity, and the description of each part desired.

#### **Understanding Reference Numbers**

Each identified part in an illustration has a reference number. The reference number for a part also appears in the parts list, along with other information about the part.

This catalog uses two special reference number formats, one to indicate parts in a service assembly and another to indicate the quantity of a given part in an illustration.

#### **Service Assembly Reference Numbers**

Parts in service assemblies have reference numbers in the form a:b. The a represents the reference number of the entire service assembly and the b represents a sequential number unique to each part within the service assembly.

For example, a wheel assembly might be identified by reference number 6, the tire by 6:1, the valve by 6:2, and the wheel by 6:3. When you order the assembly identified by reference number 6, you receive all parts identified by reference numbers 6:1, 6:2, and 6:3. However, you may also order any part individually. Reference numbers of this type appear in illustrations and in part lists.

#### **Reference Numbers Indicating Quantity**

In an illustration, if a reference number indicates more than one part, the reference number has the form nX y. The n represents the quantity of the part, the X is the multiplication symbol, and the y represents the reference number.

For example, in an illustration, the reference number 2X 37 means that two of the parts identified by reference number 37 are indicated.

# Contents

| Description   | Page | Description  | Page |
|---|------|--|------|
| Housing, Handle Bracket and Wheel Assembly                | 3    | Carburetor Assembly Briggs and Stratton<br>12H802-2032-B1            | 13   |
| Gear Case Assembly  | 4    | Air Cleaner Assembly Briggs and Stratton<br>12H802-2032-B1           | 14   |
| Engine and Blade Assembly                                 | 5    | Governor Assembly Briggs and Stratton<br>12H802-2032-B1              | 15   |
| Gearcase and Wheel Assembly                               | 6    | Muffler and Fuel Tank Assembly Briggs and<br>Stratton 12H802-2032-B1 | 16   |
| Handle and Control Assembly                               | 7    | Blower Housing Assembly Briggs and Stratton<br>12H802-2032-B1        | 17   |
| Rear Bag Discharge Chute Assembly                         | 8    | Starter Assembly Briggs and Stratton 12H802-<br>2032-B1              | 18   |
| Grass Bagging Assembly                                    | 9    | Gasket Kit Briggs and Stratton 12H802-2032-<br>B1                    | 19   |
| Cylinder Assembly Briggs and Stratton<br>12H802-2032-B1   | 10   | Carburetor Overhaul Kit Briggs and Stratton<br>12H802-2032-B1        | 20   |
| Crankshaft Assembly Briggs and Stratton<br>12H802-2032-B1 | 11   |  |      |
| Crankcase Assembly Briggs and Stratton<br>12H802-2032-B1  | 12   |  |      |

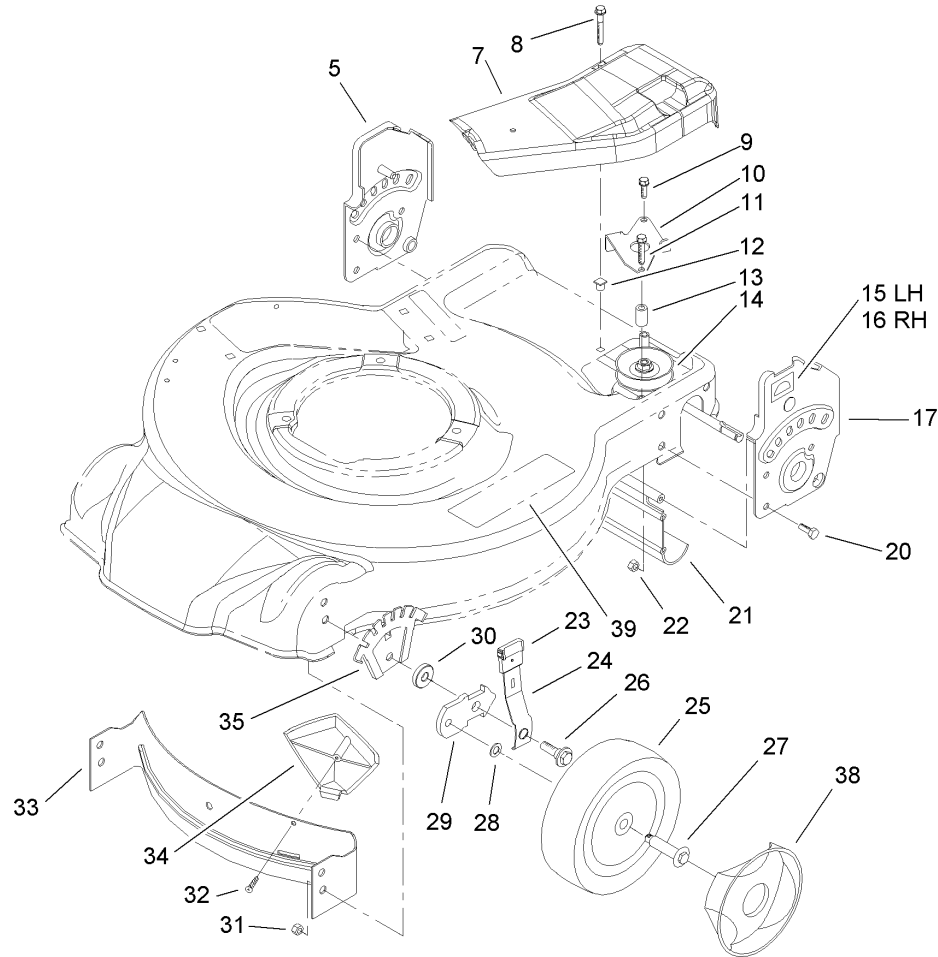
## Part Description Abbreviations

Part descriptions in this catalog may include the following abbreviations.

|   |   |
|---|---|
| AR. .... as required                          | HYD. .... hydraulic                             |
| ASM. .... assembly                            | LH. .... left hand                              |
| BBC. .... blade brake clutch                  | NI. .... nylon insert                           |
| CARR. .... carriage                           | NPTF. .... national pipe thread fine            |
| DEG. .... degrees                             | PFH. .... phillips flat head                    |
| EXT. .... external                            | PPH. .... phillips pan head                     |
| FH. .... flat head                            | PPHTF. .... phillips pan head thread<br>forming |
| GA. .... gauge                                | PRH. .... phillips round head                   |
| HD. .... heavy-duty                           | PTH. .... phillips truss head                   |
| HF. .... hex flange                           | PTO. .... power-take-off                        |
| HH. .... hex head                             | RH. .... right hand                             |
| HHF. .... hex head flange                     | ROPS. .... roll-over protection system          |
| HHFTF. .... hex head flange thread forming    | SFH. .... slotted fillister head                |
| HJ. .... hex jam                              | SHH. .... slotted hex head                      |
| HLH. .... hex lag head                        | SHWH. .... slotted hex washer head              |
| HOC. .... height-of-cut                       | SPH. .... slotted pan head                      |
| HSBH. .... hex socket button head             | SQH. .... square head                           |
| HSFH. .... hex socket flat head               | SRH. .... slotted round head                    |
| HSH. .... hex socket head                     | STD. .... standard                              |
| HWH. .... hex washer head                     | TAP. .... self tapping                          |
| HWHTF. .... hex washer head thread<br>forming | TTH. .... torx truss head                       |

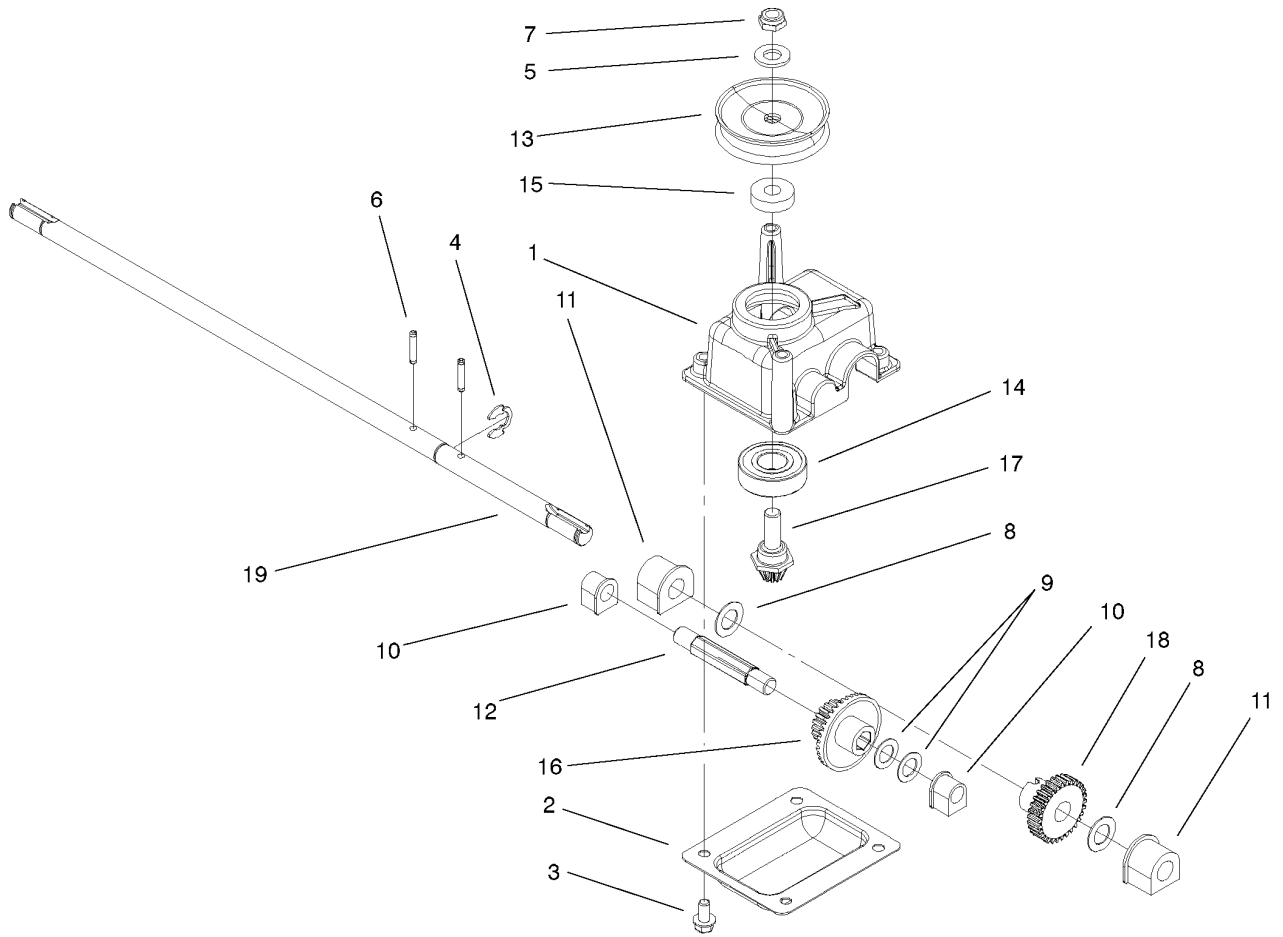
## Footnotes

- |   |   |
|---|---|
| <ul style="list-style-type: none"> <li>❶ Not serviced separately</li> <li>❷ Included in Carburetor Overhaul Kit (Ref. No. 121)</li> <li>❸ Included in Carburetor Gasket Set (Ref. No. 977)</li> </ul> | <ul style="list-style-type: none"> <li>❹ Obtain from your local Briggs &amp; Stratton dealer</li> <li>❺ Included in Engine Gasket Set (Ref. No. 358)</li> </ul> |
|---|---|



## Housing, Handle Bracket and Wheel Assembly

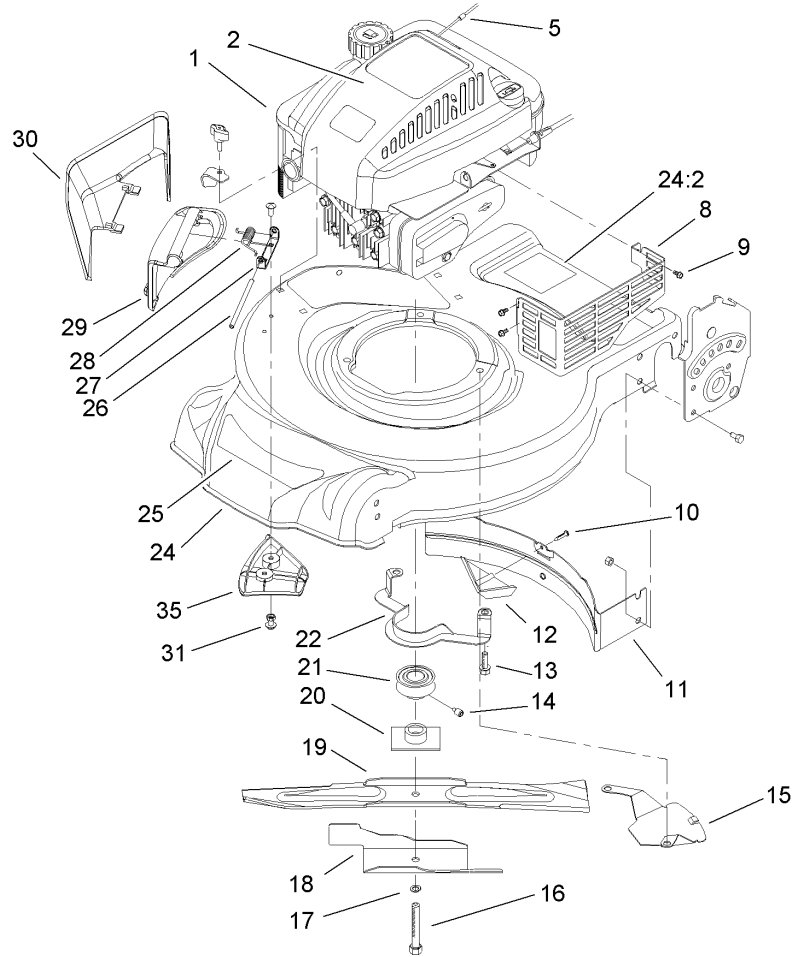
| Ref | Part No.   | Qty. | Description                      | Ref | Part No.    | Qty. | Description              |
|-----|------------|------|----------------------------------|-----|-------------|------|--------------------------|
| 5   | 93-0234    | 1    | RH Handle Bracket ASM            | 32  | 93-0231     | 1    | Screw-PPH                |
| 7   | 93-0209    | 1    | Cover-Transmission               | 33  | 100-1179-03 | 1    | Baffle-Front             |
| 8   | 32144-119  | 1    | Screw-PTH                        | 34  | 93-0216     | 1    | Kicker-Front             |
| 9   | 49-2040    | 1    | Screw-HWHTF                      | 35  | 92-4881-03  | 2    | Plate-Height, Adjustment |
| 10  | 93-0228-03 | 1    | Guide-Transmission               | 38  | 95-6543     | 2    | Cover-Wheel              |
| 11  | 92-1616    | 1    | Screw-HWHTF                      | 39  | 112-8759    | 1    | Decal-Warning            |
| 12  | 605120     | 1    | Nut-Clip                         |     |             |      |                          |
| 13  | 614673     | 1    | Bushing-Plate, Actuator          |     |             |      |                          |
| 14  | 104-7677   | 1    | Gear Case ASM                    |     |             |      |                          |
| 15  | 93-6670    | 1    | Decal-HOC, LH                    |     |             |      |                          |
| 16  | 93-6671    | 1    | Decal-HOC, RH                    |     |             |      |                          |
| 17  | 93-0233    | 1    | LH Handle Bracket ASM            |     |             |      |                          |
| 20  | 322-3      | 6    | Screw-HH                         |     |             |      |                          |
| 21  | 92-8647    | 1    | Shield-Trailing                  |     |             |      |                          |
| 22  | 3296-29    | 6    | Nut-Lock, NI                     |     |             |      |                          |
| 23  | 92-1008    | 2    | Knob-Lever, Height Adjustment    |     |             |      |                          |
| 24  | 614687     | 2    | Arm-Front Spring                 |     |             |      |                          |
| 25  | 99-6470    | 2    | Wheel ASM                        |     |             |      |                          |
| 26  | 614650     | 2    | Bolt-Shoulder                    |     |             |      |                          |
| 27  | 614672     | 2    | Bolt-Shoulder                    |     |             |      |                          |
| 28  | 40-1940    | 2    | Washer                           |     |             |      |                          |
| 29  | 95-7403-03 | 2    | Bracket-Height Adjustment, Wheel |     |             |      |                          |
| 30  | 92-4890    | 2    | Washer                           |     |             |      |                          |
| 31  | 3296-39    | 2    | Nut-Lock, NI                     |     |             |      |                          |



### Gear Case Assembly

| Ref | Part No.  | Qty. | Description              |
|-----|-----------|------|--------------------------|
| 1   | 104-7619  | 1    | Case-Gear                |
| 2   | 614668-03 | 1    | Cover-Case, Gear         |
| 3   | 32144-4   | 4    | Screw-HWH                |
| 4   | 32151-68  | 1    | Ring-Retaining           |
| 5   | 3256-24   | 1    | Washer-Flat              |
| 6   | 3285-19   | 2    | Pin-Groove               |
| 7   | 3296-5    | 1    | Nut-Lock                 |
| 8   | 36-4780   | 2    | Washer                   |
| 9   | 36-4791   | 2    | Washer-Thrust            |
| 10  | 60-8750   | 2    | Bushing                  |
| 11  | 60-8850   | 2    | Bushing                  |
| 12  | 614696    | 1    | Shaft-Intermediate       |
| 13  | 100-1176  | 2    | Pulley-Half              |
| 14  | 100-1048  | 1    | Bearing-Ball             |
| 15  | 62-6660   | 1    | Spacer                   |
| 16  | 104-1005  | 1    | Gear-19T Spur, 37T Bevel |
| 17  | 104-7667  | 1    | Gear-Pinion, Bevel       |
| 18  | 104-1004  | 1    | Gear-30T                 |
| 19  | 104-7670  | 1    | Shaft-Output             |

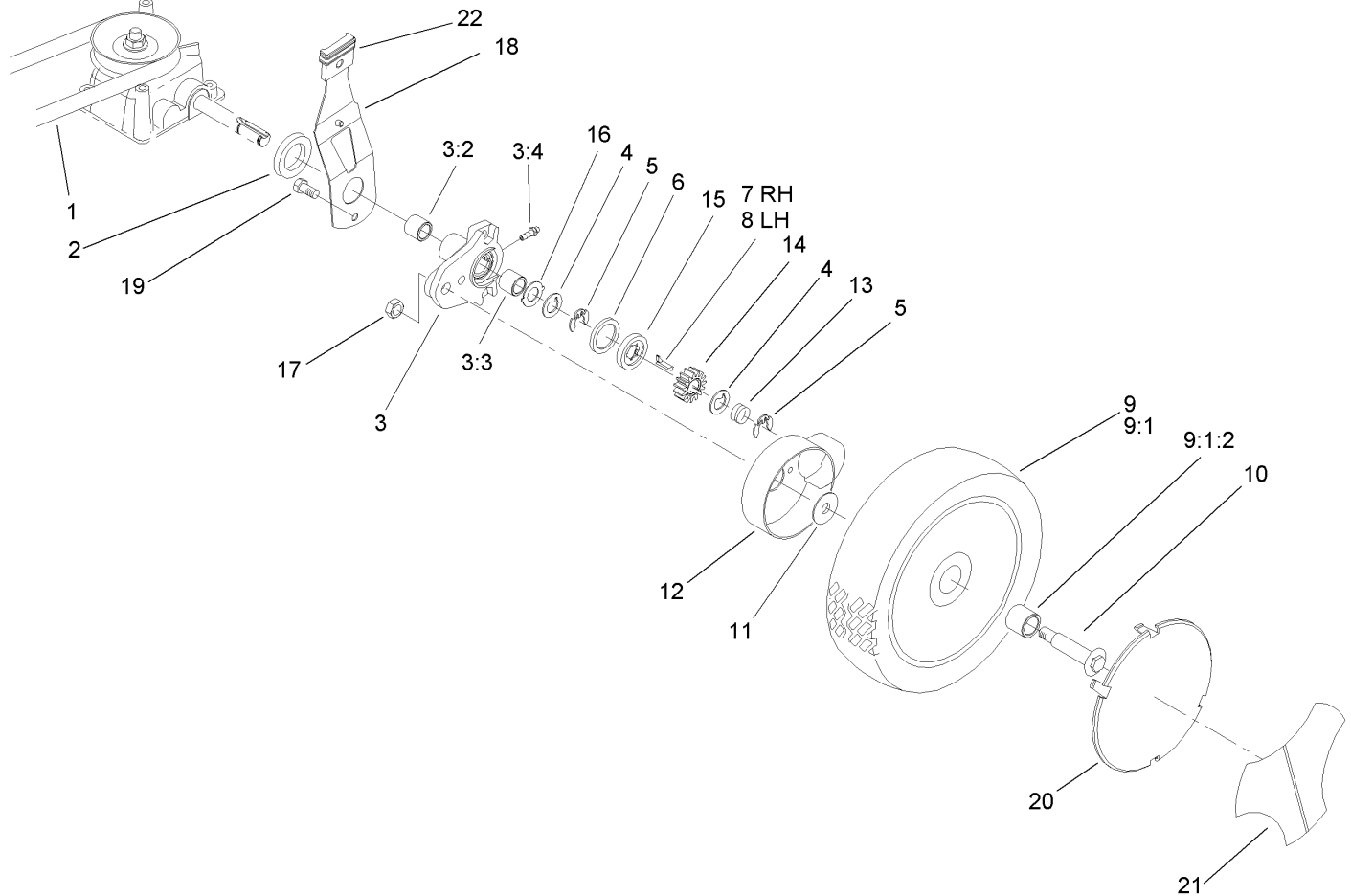
|  |  |  |  |
|--|--|--|--|
|  |  |  |  |
|--|--|--|--|



## Engine and Blade Assembly

| Ref      | Part No.    | Qty. | Description                                |
|----------|-------------|------|--|
| <b>1</b> |             | 1    | Engine-Briggs And Stratton, 12H802-2032-B1 |
| 2        | 114-2605    | 1    | Decal                                      |
| 5        | 2210-316    | 1    | Stop-Rope                                  |
| 8        | 104-7577-03 | 1    | Shield-Muffler                             |
| 9        | 32144-1     | 3    | Screw-Taptite                              |
| 10       | 93-0231     | 1    | Screw-PPH                                  |
| 11       | 93-0223-03  | 1    | Baffle-Rear                                |
| 12       | 93-0217     | 1    | Kicker-Rear                                |
| 13       | 95-1726     | 3    | Screw-Taptite                              |
| 14       | 105-8875    | 1    | Screw-Set, Cone Point                      |
| 15       | 93-4196-03  | 1    | Shield-Grass                               |
| 16       | 26-0671     | 1    | Screw-Blade                                |
| 17       | 3290-465    | 1    | Washer-Belleville                          |
| 18       | 93-0219-03  | 1    | Accelerator                                |
| 19       | 93-0241-03  | 1    | Blade-Steel Deck                           |
| 20       | 104-7609    | 1    | Retainer-Blade, Ce                         |
| 21       | 95-1878     | 1    | Pulley                                     |
| 22       | 92-1024-03  | 1    | Guide-Belt                                 |
| 24       | 104-0228    | 1    | Housing                                    |
| 24:2     | 112-8759    | 1    | Decal-Warning                              |
| 25       | 114-2628    | 1    | Decal-Housing                              |
| 26       | 99-5291     | 1    | Rod-Cover                                  |
| 27       | 112-6416    | 1    | Bracket-Cover                              |

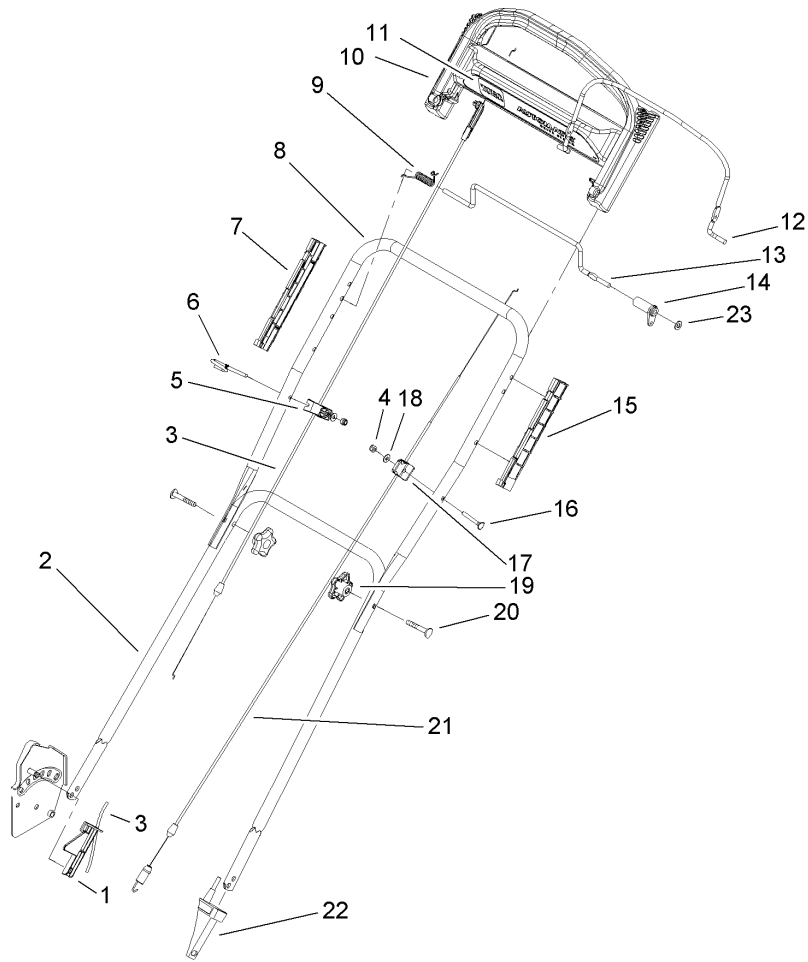
| Ref | Part No. | Qty. | Description    |
|-----|----------|------|----------------|
| 28  | 99-5293  | 1    | Spring-Torsion |
| 29  | 99-5294  | 1    | Cover-Side     |
| 30  | 99-5295  | 1    | Chute-Side     |
| 31  | 46-8560  | 2    | Screw-HHF      |
| 35  | 99-6349  | 1    | Baffle         |



## Gearcase and Wheel Assembly

| Ref   | Part No. | Qty. | Description                    |
|-------|----------|------|--------------------------------|
| 1     | 93-0232  | 1    | V-Belt                         |
| 2     | 614447   | 2    | Spacer-Axle Shaft              |
| 3     | 92-7746  | 2    | Rear Height Adjustment Arm ASM |
| 3:2   | 70-9760  | 1    | Bushing                        |
| 3:3   | 47-2900  | 1    | Bushing                        |
| 3:4   | 302-56   | 1    | Fitting-Grease                 |
| 4     | 65-4740  | 4    | Washer-Thrust, Keyed           |
| 5     | 65-2720  | 4    | Klipring-Locking               |
| 6     | 65-4710  | 2    | Ring-Friction                  |
| 7     | 66-6040  | 1    | Key-Rocking, RH                |
| 8     | 66-6050  | 1    | Key-Rocking, LH                |
| 9     | 99-6471  | 2    | Wheel And Tire ASM             |
| 9:1   |          | 1    | Wheel ASM                      |
| 9:1:2 | 27-6250  | 2    | Bushing                        |
| 10    | 92-1057  | 2    | Bolt-Shoulder                  |
| 11    | 614426   | 2    | Washer-Stepped                 |
| 12    | 94-1609  | 2    | Cover-Wheel                    |
| 13    | 65-4720  | 2    | Spring-Compression             |
| 14    | 65-4750  | 2    | Gear-Pinion                    |
| 15    | 65-4760  | 2    | Washer-Clutch                  |
| 16    | 65-4730  | 2    | Washer-Arm, Pivot              |
| 17    | 603773   | 2    | Nut                            |
| 18    | 92-1004  | 2    | Rear Spring Arm ASM            |
| 19    | 32144-85 | 2    | Screw-HWH                      |

| Ref | Part No. | Qty. | Description                   |
|-----|----------|------|-------------------------------|
| 20  | 100-4366 | 1    | Cover-Smart Wheel             |
| 21  | 100-1519 | 1    | Label-Wheel, Smart            |
| 22  | 92-1008  | 2    | Knob-Lever, Height Adjustment |

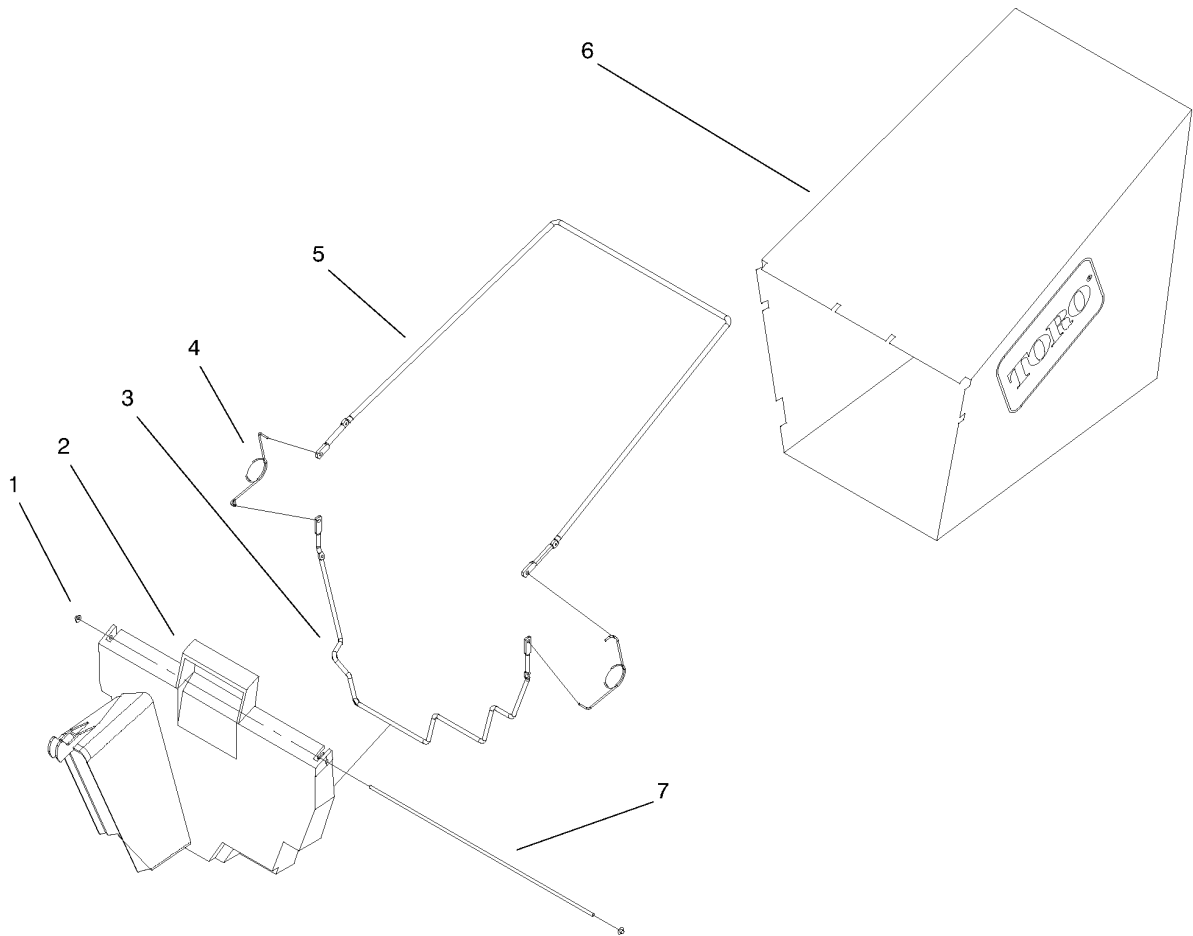


## Handle and Control Assembly

| Ref | Part No.    | Qty. | Description           |
|-----|-------------|------|-----------------------|
| 1   | 104-1013    | 1    | Guard-Cable           |
| 2   | 614643-05   | 1    | Handle-Lower          |
| 3   | 106-8349    | 1    | Cable-Brake           |
| 4   | 3296-73     | 2    | Nut-Lock, NI          |
| 5   | 106-8331    | 1    | Anchor-Cable          |
| 6   | 106-8330    | 1    | Guide-Rope            |
| 7   | 105-6841    | 1    | Guide-RH              |
| 8   | 106-8327-05 | 1    | Handle-Upper          |
| 9   | 104-8690    | 1    | Spring-Torsion        |
| 10  | 104-8678    | 1    | Handle-Control        |
| 11  | 110-7056    | 1    | Decal-Ads, Handle     |
| 12  | 104-8679-03 | 1    | Bail-Brake            |
| 13  | 99-1588     | 1    | Bar-Control, Traction |
| 14  | 99-1589     | 1    | Lever-Traction        |
| 15  | 105-6842    | 1    | Guide-LH              |
| 16  | 95-4453     | 1    | Screw                 |
| 17  | 92-7729     | 1    | Anchor-Cable, Upper   |
| 18  | 3256-1      | 2    | Washer-Flat           |
| 19  | 106-4161    | 2    | Knob-Handle           |
| 20  | 614697      | 2    | Screw                 |
| 21  | 105-1844    | 1    | Cable-Traction        |
| 22  | 93-7380     | 1    | Anchor-Cable          |
| 23  | 3256-23     | 1    | Washer-Flat           |

|  |  |  |  |
|--|--|--|--|
|  |  |  |  |
|--|--|--|--|

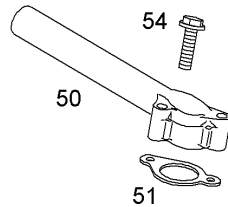
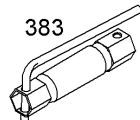
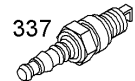
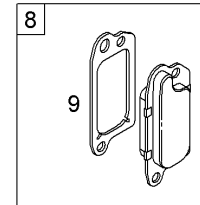
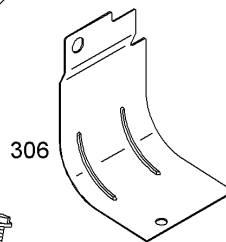
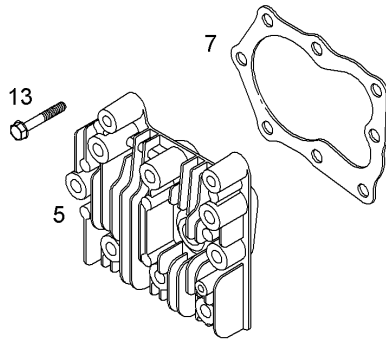
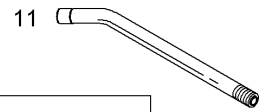
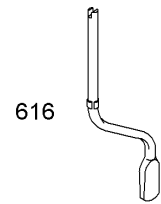
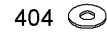
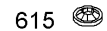
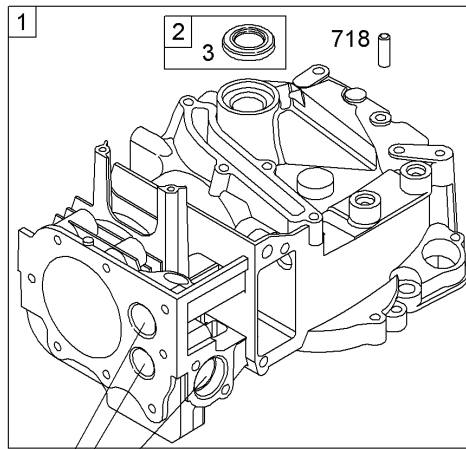
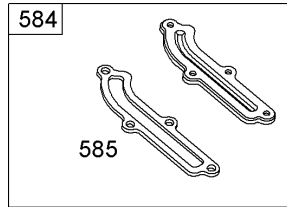




### Grass Bagging Assembly

| Ref | Part No. | Qty. | Description     |
|-----|----------|------|-----------------|
| 1   | 3290-422 | 2    | Nut-Push        |
| 2   | 93-0266  | 1    | Door-Bag        |
| 3   | 93-0282  | 1    | Frame-Lower Bag |
| 4   | 36-6910  | 2    | Spring          |
| 5   | 93-0281  | 1    | Frame-Upper Bag |
| 6   | 93-0284  | 1    | Bag-Grass       |
| 7   | 93-0283  | 1    | Hinge-Bag Door  |

|  |  |  |  |
|--|--|--|--|
|  |  |  |  |
|--|--|--|--|



1058 OPERATOR'S MANUAL

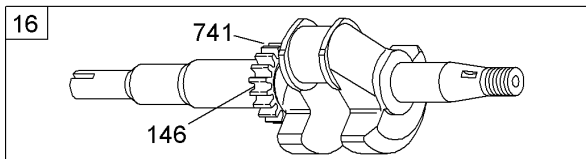
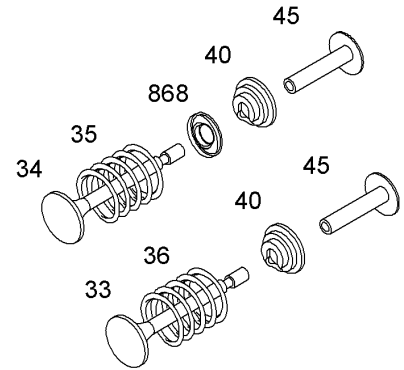
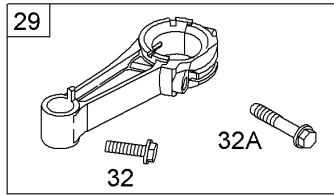
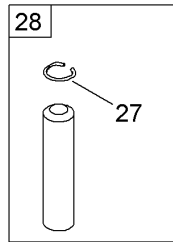
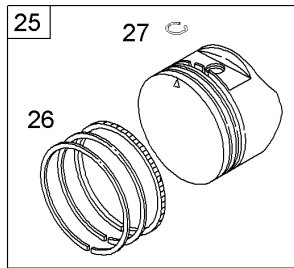
Assemblies include all parts shown in frames

# Cylinder Assembly

## Briggs and Stratton 12H802-2032-B1

| Ref | Part No. | Qty. | Description                    |
|-----|----------|------|--------------------------------|
| 1   | 697322   | 1    | Cylinder ASM                   |
| 2   | 399269   | 1    | Bushing Seal Kit               |
| 3   | 299819s  | 1    | Seal-Oil (Magneto Side)        |
| 5   | 691160   | 1    | Head-Cylinder                  |
| 7   | 692249   | 1    | Gasket-Head, Cylinder          |
| 8   | 696125   | 1    | Gasket-Breather                |
| 9   | 699472   | 1    | Gasket-Breather                |
| 10  | 691125   | 1    | Screw (Breather)               |
| 11  | 691781   | 1    | Tube-Breather                  |
| 13  | 690912   | 1    | Screw (Cylinder Head)          |
| 50  | 497465   | 1    | Manifold-Intake                |
| 51  | 272199s  | 1    | Gasket-Intake                  |
| 54  | 691650   | 1    | Screw (Intake Manifold)        |
| 306 | 690450   | 1    | Cylinder Shield                |
| 307 | 690345   | 1    | Screw (Cylinder Shield)        |
| 337 | 802592s  | 1    | Plug-Spark                     |
| 383 | 89838s   | 1    | Wrench-Spark Plug              |
| 404 | 690272   | 1    | Washer (Governor Crank)        |
| 584 | 697734   | 1    | Cover-Passage, Breather        |
| 585 | 691879   | 1    | Gasket-Passage, Breather       |
| 615 | 690340   | 1    | Retainer-Shaft, Governor       |
| 616 | 698801   | 1    | Crank-Governor                 |
| 635 | 793351   | 1    | Boot-Spark Plug                |
| 684 | 690345   | 1    | Screw (Breather Passage Cover) |

| Ref  | Part No. | Qty. | Description             |
|------|----------|------|-------------------------|
| 718  | 690959   | 1    | Pin-Locating            |
| 869  | 691155   | 1    | Seat-Valve (Intake)     |
| 870  | 690380   | 1    | Seat-Valve (Exhaust)    |
| 871  | 262001   | 1    | Bushing-Guide (Exhaust) |
| 871  | 63709    | 1    | Bushing-Guide (Intake)  |
| 1058 | MS3262   | 1    | Operator's Manual       |



Assemblies include all parts shown in frames

## Crankshaft Assembly Briggs and Stratton 12H802-2032-B1

| Ref  | Part No. | Qty. | Description            |
|------|----------|------|------------------------|
| ●16  | 696009   | 1    | Crankshaft             |
| ●24  | 222698s  | 1    | Key-Flywheel           |
| ●25  | 791097   | 1    | Piston ASM (STD)       |
| ●25  | 791326   | 1    | Piston ASM (.020 O S)  |
| ●26  | 791098   | 1    | Ring Set (STD)         |
| ●26  | 791324   | 1    | Ring Set (.020 O S)    |
| ●27  | 691866   | 1    | Lock-Pin, Piston       |
| ●28  | 499423   | 1    | Pin-Piston (STD)       |
| ●29  | 499424   | 1    | Rod-Connecting (STD)   |
| ●32  | 691664   | 1    | Screw (Connecting Rod) |
| ●32A | 695759   | 1    | Screw (Connecting Rod) |
| ●33  | 262651   | 1    | Valve-Exhaust          |
| ●34  | 262652   | 1    | Valve-Intake           |
| ●35  | 691270   | 1    | Spring-Valve (Intake)  |
| ●36  | 691270   | 1    | Spring-Valve (Exhaust) |
| ●40  | 692194   | 1    | Retainer-Valve         |
| ●45  | 690548   | 1    | Tappet-Valve           |
| ●146 | 690979   | 1    | Key-Timing             |
| ●741 | 691830   | 1    | Gear-Timing            |
| ●868 | 697338   | 1    | Seal-Valve             |

|  |  |  |  |
|--|--|--|--|
|  |  |  |  |
|--|--|--|--|

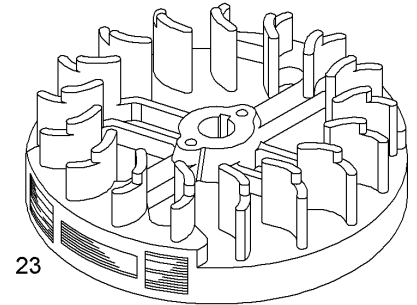
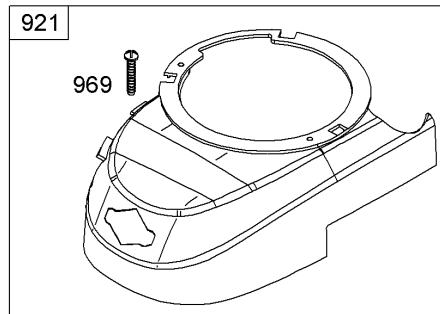
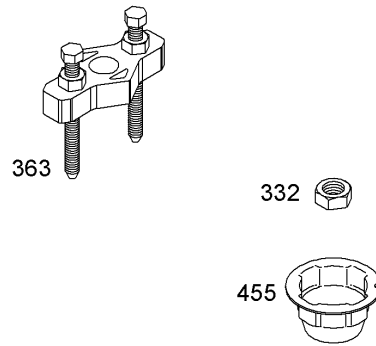
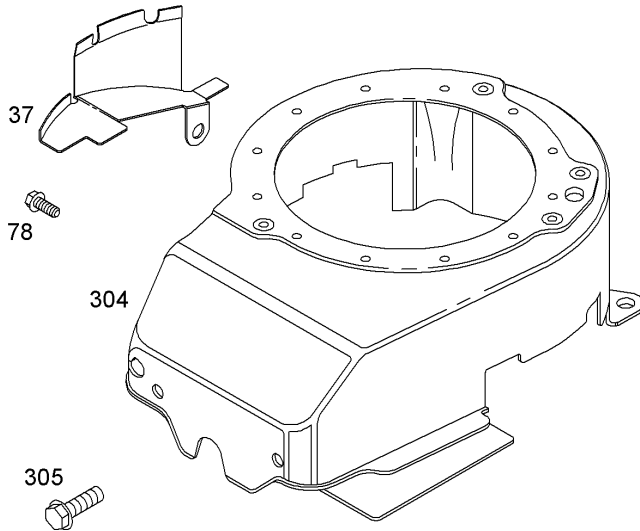












1036 EMISSIONS LABEL

Assemblies include all parts shown in frames

## Blower Housing Assembly Briggs and Stratton 12H802-2032-B1

| Ref  | Part No. | Qty. | Description   |
|------|----------|------|---|
| 23   | 691987   | 1    | Flywheel  |
| 37   | 694086   | 1    | Guard-Flywheel  |
| 78   | 691108   | 1    | Screw (Flywheel Guard)  |
| 304  | 493293   | 1    | Housing-Blower  |
| 305  | 691108   | 1    | Screw (Blower Housing)  |
| 332  | 690662   | 1    | Nut (Flywheel)  |
| 363  | 19069    | 1    | Puller-Flywheel   |
| 455  | 791960   | 1    | Cup-Flywheel  |
| 921  | 790036   | 1    | Cover-Housing, Blower   |
| 969  | 691138   | 1    | Screw (Blower Housing Cover)  |
| 1036 |          | 1    | Label-Emissions (Available From An Authorized Briggs And Stratton Service Dealer) |

|  |  |  |  |
|--|--|--|--|
|  |  |  |  |
|--|--|--|--|







## NOTES

# NOTES

# NOTES

