



53cm Rear-Bagging Lawn Mower

Model No. 26634 - 270000001 and up.

Parts Catalog

Ordering Replacement Parts

To order replacement parts, please supply the part number, the quantity, and the description of each part desired.

Understanding Reference Numbers

Each identified part in an illustration has a reference number. The reference number for a part also appears in the parts list, along with other information about the part.

This catalog uses two special reference number formats, one to indicate parts in a service assembly and another to indicate the quantity of a given part in an illustration.

Service Assembly Reference Numbers

Parts in service assemblies have reference numbers in the form a:b. The a represents the reference number of the entire service assembly and the b represents a sequential number unique to each part within the service assembly.

For example, a wheel assembly might be identified by reference number 6, the tire by 6:1, the valve by 6:2, and the wheel by 6:3. When you order the assembly identified by reference number 6, you receive all parts identified by reference numbers 6:1, 6:2, and 6:3. However, you may also order any part individually. Reference numbers of this type appear in illustrations and in part lists.

Reference Numbers Indicating Quantity

In an illustration, if a reference number indicates more than one part, the reference number has the form nX y. The n represents the quantity of the part, the X is the multiplication symbol, and the y represents the reference number.

For example, in an illustration, the reference number 2X 37 means that two of the parts identified by reference number 37 are indicated.

Contents

Description	Page	Description	Page
Housing Assembly 3	Carburetor Assembly Briggs and Stratton 122602-0207-B1 15
Engine Assembly 4	Air Cleaner Assembly Briggs and Stratton 122602-0207-B1 16
Blade and Brake Assembly 5	Governor Assembly Briggs and Stratton 122602-0207-B1 17
Handle Assembly 6	Muffler and Fuel Tank Assembly Briggs and Stratton 122602-0207-B1 18
Bag Assembly 7	Blower Housing Assembly Briggs and Stratton 122602-0207-B1 19
Rear Drive Assembly 8	Starter Assembly Briggs and Stratton 122602- 0207-B1 20
Gearcase Assembly No. 62-6673 9	Gasket Kit Briggs and Stratton 122602-0207- B1 21
Control Assembly 10	Carburetor Overhaul Kit Briggs and Stratton 122602-0207-B1 22
Cylinder Assembly Briggs and Stratton 122602-0207-B1 11		
Cylinder Head Assembly Briggs and Stratton 122602-0207-B1 12		
Crankshaft Assembly Briggs and Stratton 122602-0207-B1 13		
Crankcase Assembly Briggs and Stratton 122602-0207-B1 14		

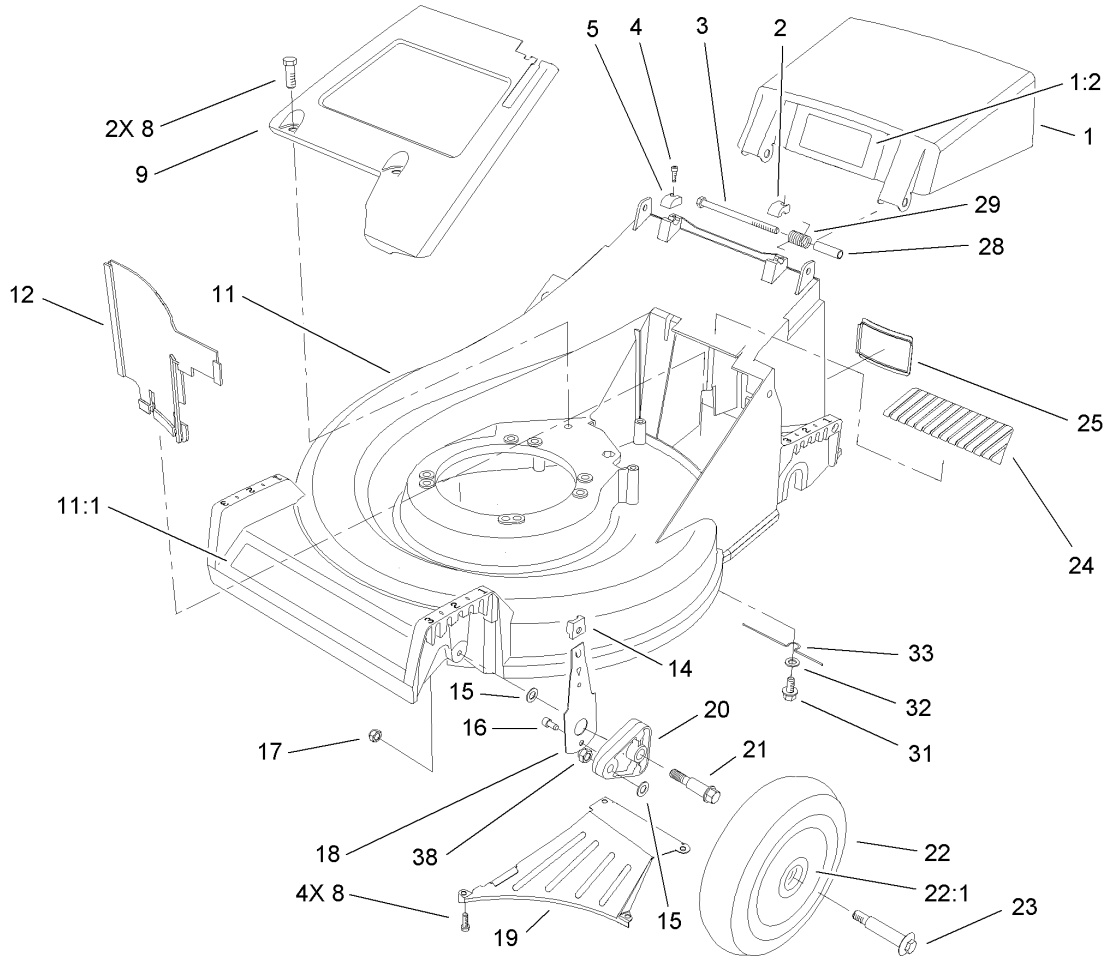
Part Description Abbreviations

Part descriptions in this catalog may include the following abbreviations.

AR. as required	HYD. hydraulic
ASM. assembly	LH. left hand
BBC. blade brake clutch	NI. nylon insert
CARR. carriage	NPTF. national pipe thread fine
DEG. degrees	PFH. phillips flat head
EXT. external	PPH. phillips pan head
FH. flat head	PPHTF. phillips pan head thread forming
GA. gauge	PRH. phillips round head
HD. heavy-duty	PTH. phillips truss head
HF. hex flange	PTO. power-take-off
HH. hex head	RH. right hand
HHF. hex head flange	ROPS. roll-over protection system
HHFTF. hex head flange thread forming	SFH. slotted fillister head
HJ. hex jam	SHH. slotted hex head
HLH. hex lag head	SHWH. slotted hex washer head
HOC. height-of-cut	SPH. slotted pan head
HSBH. hex socket button head	SQH. square head
HSFH. hex socket flat head	SRH. slotted round head
HSH. hex socket head	STD. standard
HWH. hex washer head	TAP. self tapping
HWHTF. hex washer head thread forming	TTH. torx truss head

Footnotes

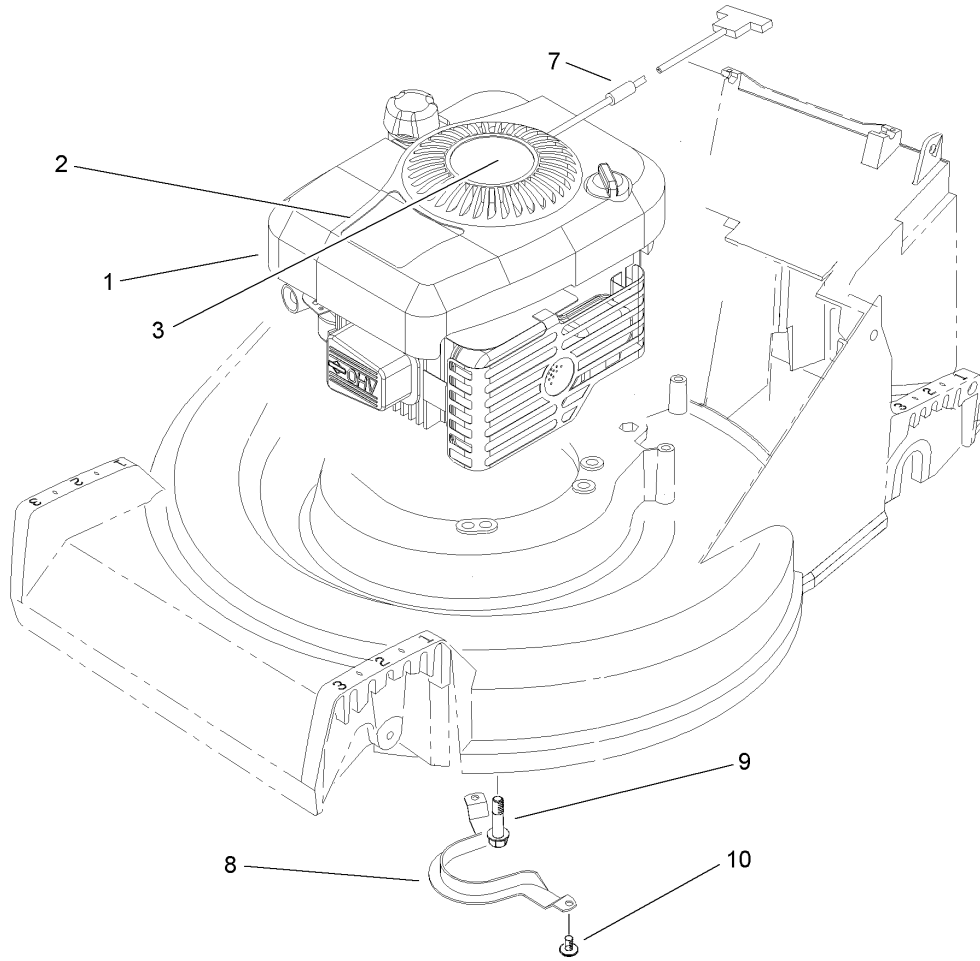
- | | |
|---|--|
| ❶ Not illustrated | ❷ Not serviced separately |
| ❸ Obtain from your local Briggs & Stratton dealer | ❹ Included in Carburetor Overhaul Kit (Ref. No. 121) |
| ❺ Included in Engine Gasket Set (Ref. No. 358) | ❻ Included in Carburetor Gasket Set (Ref. No. 977) |
| ❼ Included in Valve Gasket Set (Ref. No. 1095) | |



Housing Assembly

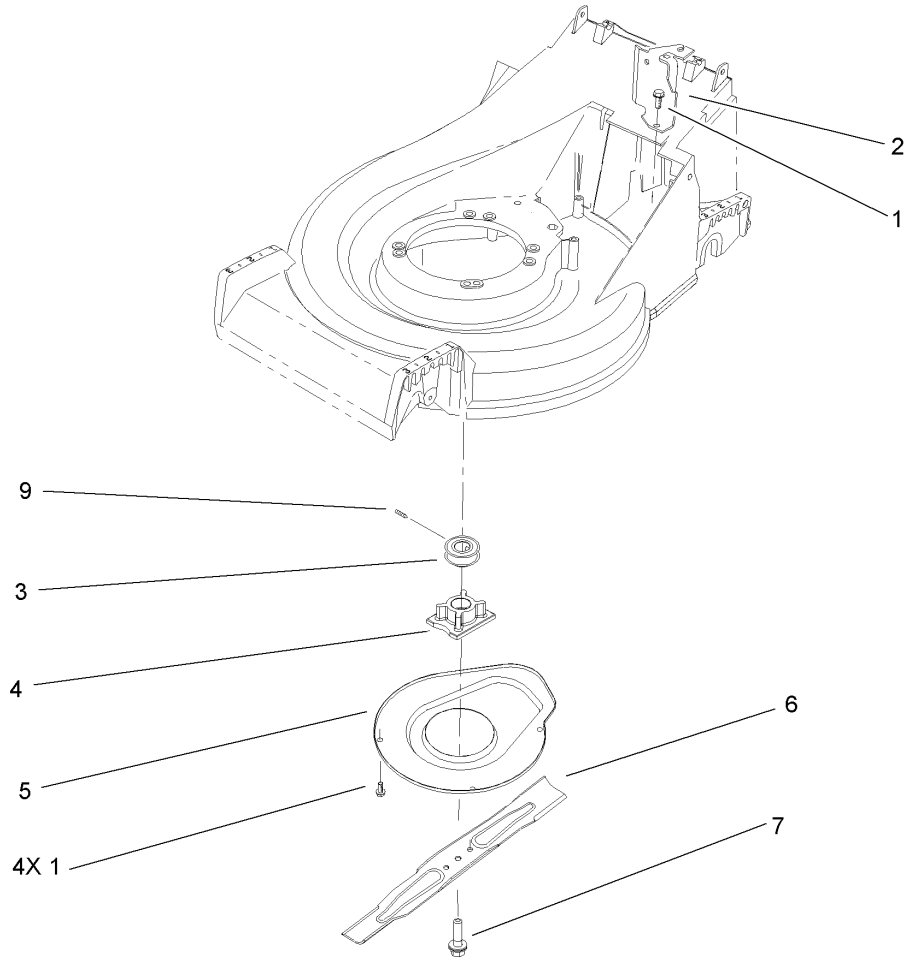
Ref	Part No.	Qty.	Description
1	17-1569	1	Door-Bag
1:2	112-8759	1	Decal-Warning
2	71-7900	1	Cap-Hinge Bolt, LH
3	322-29	2	Screw-HH
4	65-5210	2	Screw-HSH
5	71-7910	1	Cap-Hinge Bolt, RH
8	32144-70	6	Screw-HWHTF
9	65-5660-03	1	Panel-Screen
11	16-1769	1	Housing ASM
11:1	71-9870	1	Decal
12	66-0020	1	Panel-Vertical
14	25-7740	2	Knob-Arm
15	40-1940	4	Washer
16	32144-85	2	Screw-HWH
17	3296-6	2	Nut-Lock
18	66-0540	2	Front Spring Arm ASM
19	71-9640-03	1	Ramp-Discharge
20	66-0580	2	Arm-Pivot, Front
21	66-0560	2	Bolt-Shoulder
22	92-9592	2	Wheel ASM
22:1	27-6250	2	Bushing
23	92-1057	2	Bolt-Shoulder
24	71-9920	1	Cover-Top
25	71-9650	1	Cover-Access

Ref	Part No.	Qty.	Description
28	71-8580	2	Spacer-Door
29	71-9840	2	Spring-Door
31	32144-15	1	Screw-HHFTF
32	3256-24	1	Washer-Flat
33	66-0620	1	Retainer-Belt
38	603773	2	Nut



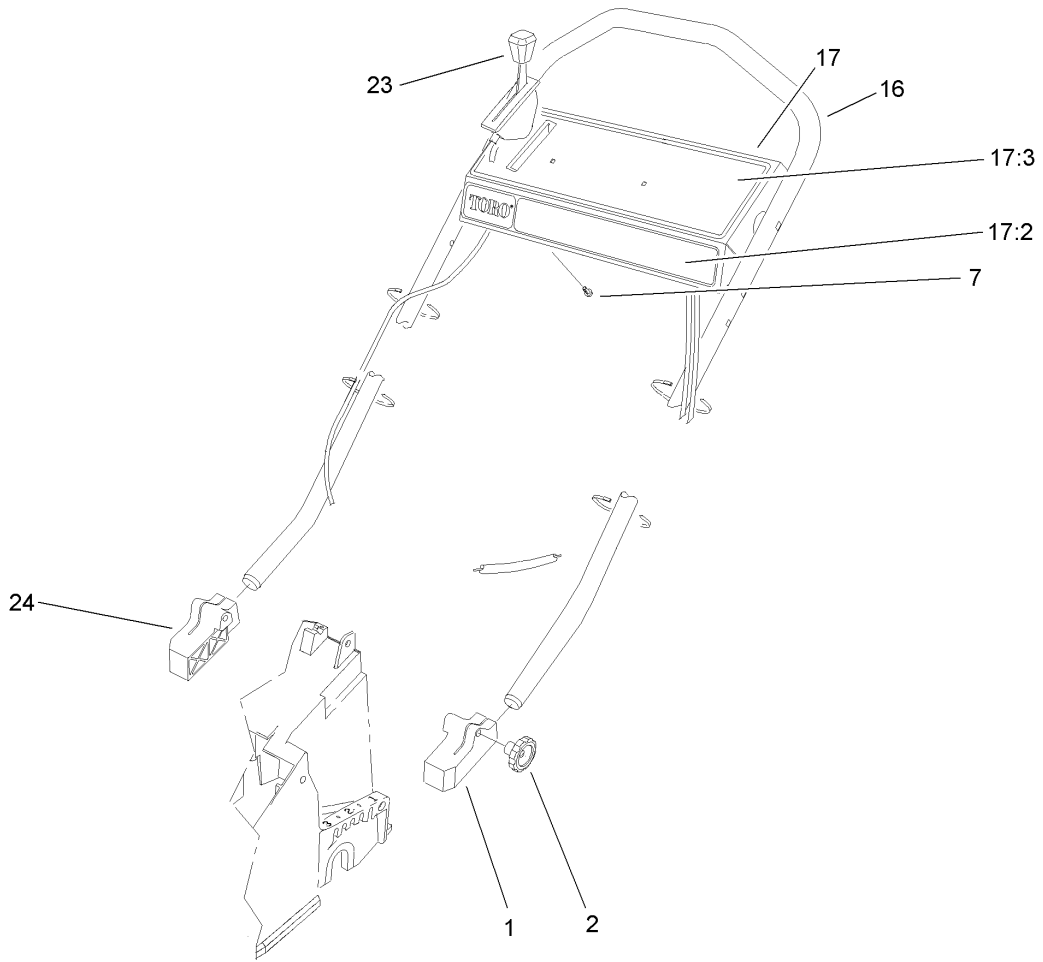
Engine Assembly

Ref	Part No.	Qty.	Description				
1		1	Engine-Briggs And Stratton, 122602-0207-B1				
2	99-6015	1	Decal-Recoil				
3	107-8921	1	Decal-Recoil, Recycler				
7	2210-316	1	Stop-Rope				
8	66-0570-03	1	Bracket-Guide, Belt				
9	32144-102	3	Screw-HWH				
10	32144-70	2	Screw-HWHTF				



Blade and Brake Assembly

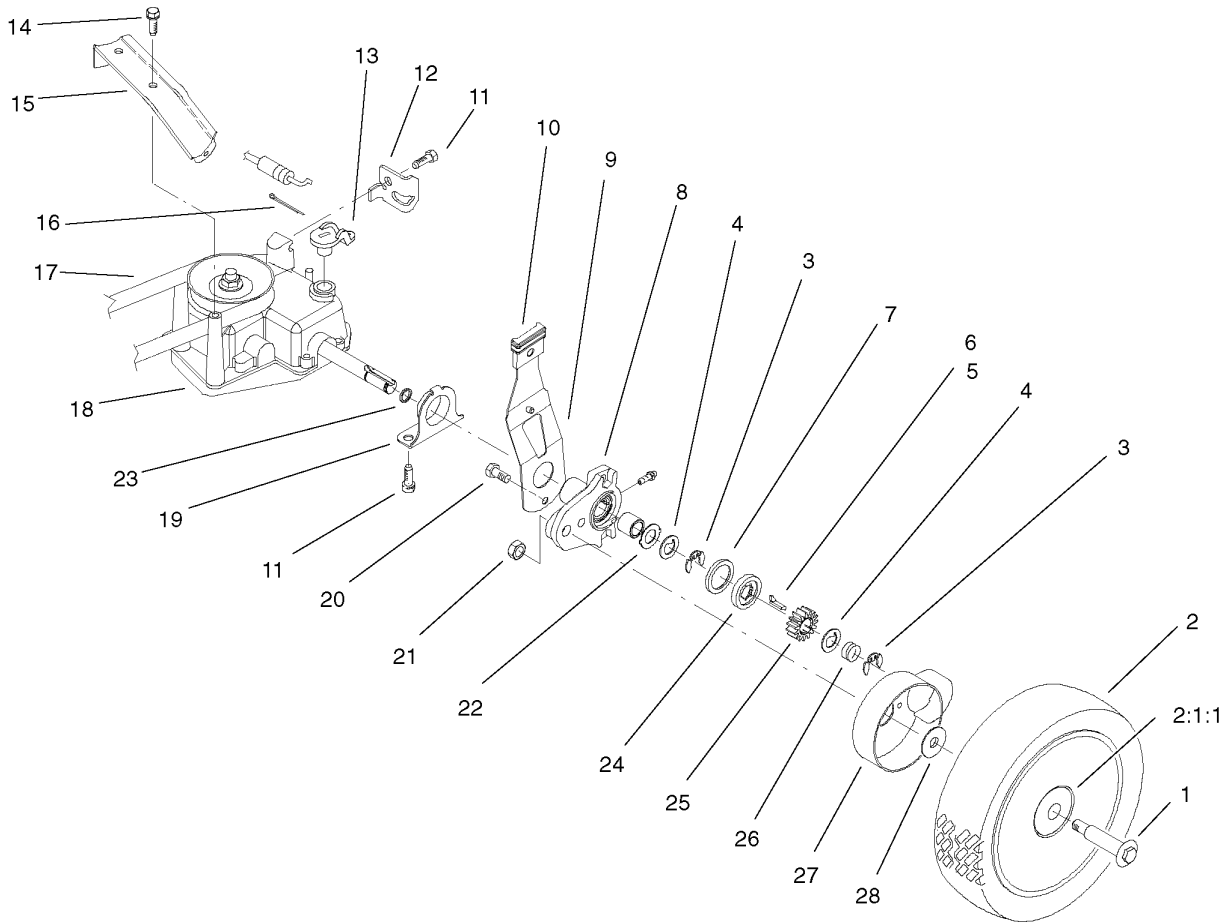
Ref	Part No.	Qty.	Description
1	32144-70	5	Screw-HWHTF
2	66-0030-03	1	Bracket-Cable, Support
3	95-1878	1	Pulley
4	104-1008	1	Retainer-Blade
5	65-5200-03	1	Shield-BBC
6	107-4276-03	1	Blade-Bagging, 21 Inch
7	105-8579	1	Bolt-Blade
9	105-8875	1	Screw-Set, Cone Point



Handle Assembly

Ref	Part No.	Qty.	Description
1	71-8090	1	Mount-Handle, LH
2	106-4161	2	Knob-Handle
7	92-9665	5	Screw-Thread Cut
16	94-4910	1	Handle
17	104-7942	1	Panel-Service
17:2	71-9873	1	Decal-Panel
17:3	105-1339	1	Decal-Instruction
23	93-6632	1	Control-Speed, Ground
24	71-8100	1	Mount-Handle, RH

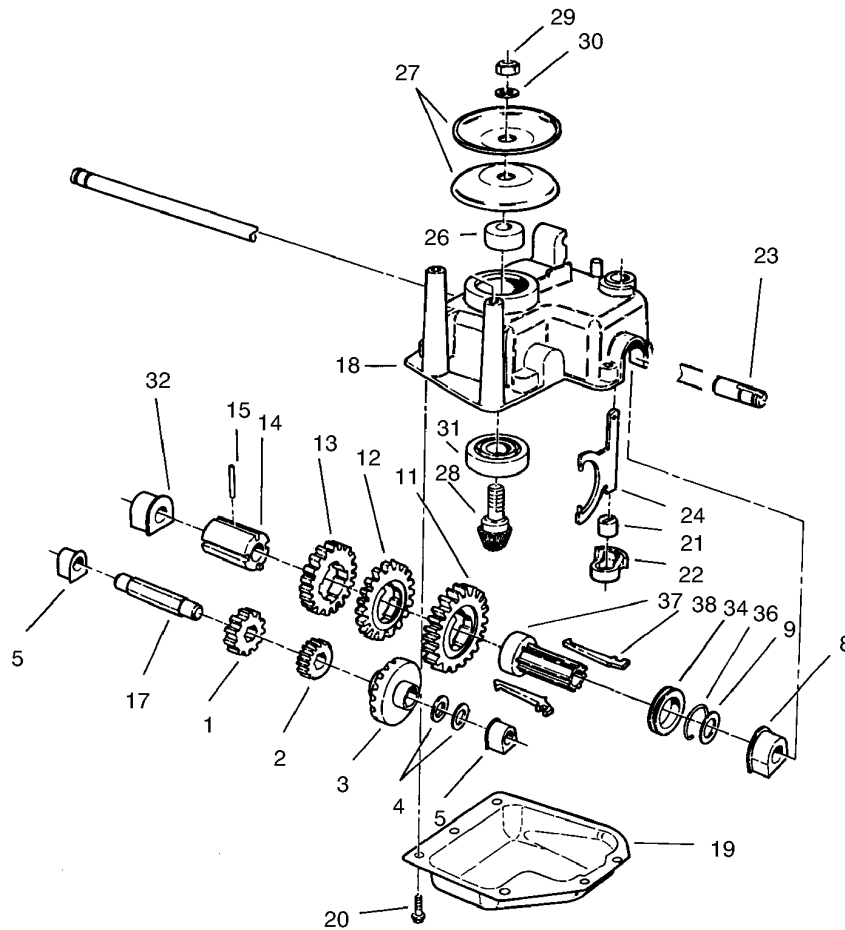
--	--	--	--



Rear Drive Assembly

Ref	Part No.	Qty.	Description
1	92-1057	2	Bolt-Shoulder
2	99-8136	2	Wheel And Gear ASM
1 2:1		1	Wheel ASM
2:1:1	27-6250	2	Bushing
3	65-2720	4	Klipring-Locking
4	65-4740	4	Washer-Thrust, Keyed
5	66-6050	1	Key-Rocking, LH
6	66-6040	1	Key-Rocking, RH
7	65-4710	2	Ring-Friction
8	65-5042	2	Pivot Arm ASM
9	65-5440	2	Spring Arm ASM
10	25-7740	2	Knob-Arm
11	32144-70	5	Screw-HWHTF
12	76-2930	1	Retainer-Cable
13	76-0920	1	Lever-Shift
14	49-2040	2	Screw-HWHTF
15	65-5190-03	1	Bracket-Guide, Belt
16	3272-5	1	Pin-Cotter
17	36-8070	1	V-Belt
18	62-6673	1	Gearcase ASM
19	66-0360	2	Cap-End
20	32144-85	2	Screw-HWH
21	603773	2	Nut
22	65-4730	2	Washer-Arm, Pivot

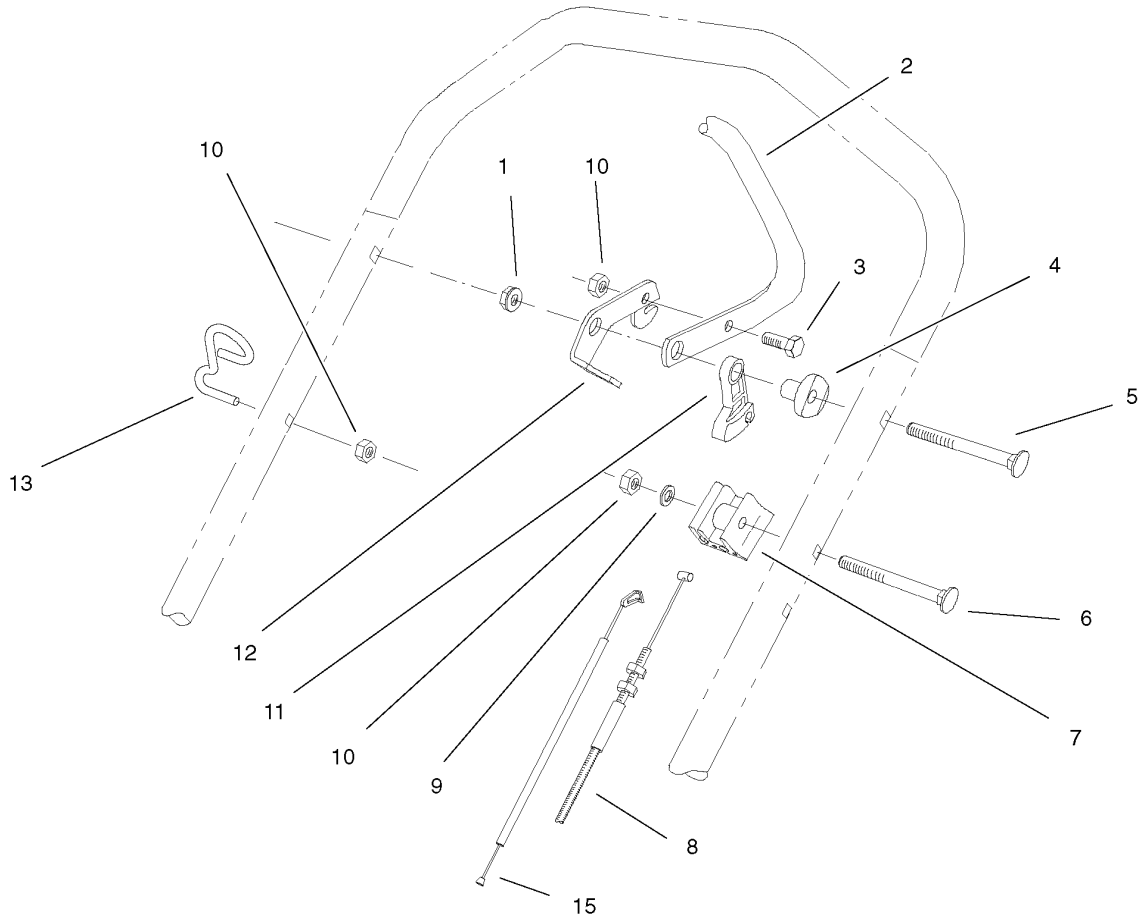
Ref	Part No.	Qty.	Description
23	237-153	2	O-Ring
24	65-4760	2	Washer-Clutch
25	65-4750	2	Gear-Pinion
26	65-4720	2	Spring-Compression
27	74-1660	2	Cover-Wheel
28	74-1671	2	Spacer-Cover, Wheel



Gearcase Assembly No. 62-6673

Ref	Part No.	Qty.	Description
1	55-3800	1	Pinion-25T
2	55-3780	1	Pinion-20T
3	104-7668	1	Gear-15T Spur, 37T Bevel
4	36-4791	2	Washer-Thrust
5	60-8750	2	Bushing
8	60-8770	1	Bushing-Output
9	36-4780	1	Washer
11	55-3770	1	Gear-49T
12	55-3790	1	Gear-44T
13	55-3810	1	Gear-39T
14	60-8790	1	Sleeve-Gear
15	3285-19	1	Pin-Groove
17	60-8800	1	Shaft-Intermediate
18	60-8710	1	Case-Gear, Upper
19	60-8730-03	1	Cover-Case, Gear
20	49-2040	6	Screw-HWHTF
21	29-9570	1	Bushing-Yoke
22	60-8810	1	Retainer-Fork, Shift
23	65-4770	1	Shaft-Output
24	60-8870	1	Yoke-Shift
26	62-6660	1	Spacer
27	100-1176	2	Pulley-Half
28	104-7667	1	Gear-Pinion, Bevel
29	3296-5	1	Nut-Lock

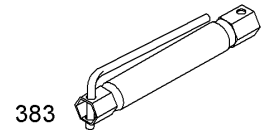
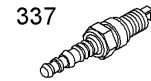
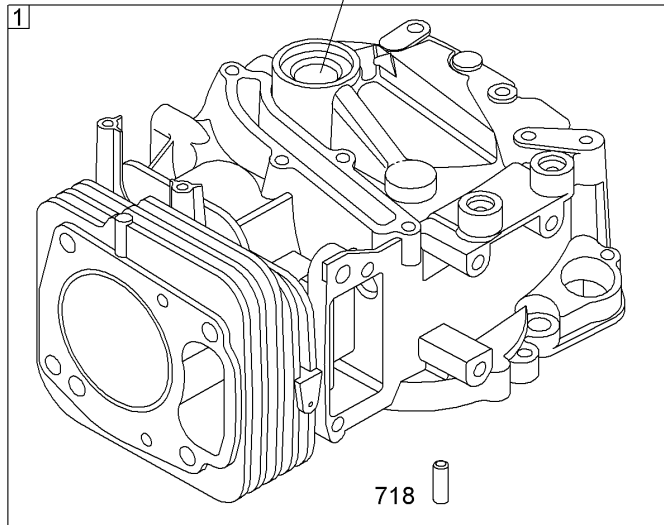
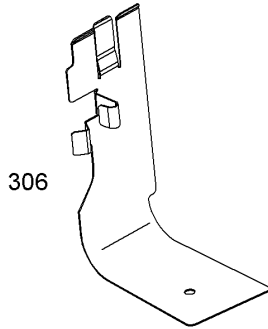
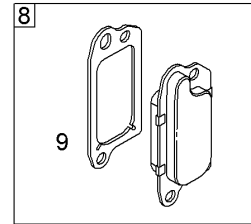
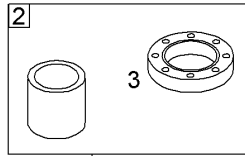
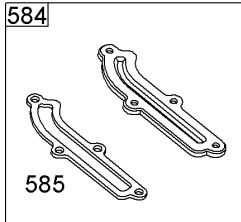
Ref	Part No.	Qty.	Description
30	3256-24	1	Washer-Flat
31	100-1048	1	Bearing-Ball
32	60-8850	1	Bushing
34	76-0770	1	Collar-Shift
36	65-5250	1	Clip-Spring
37	76-0780	1	Sleeve-Key, Shift
38	76-0760	2	Key-Shift



Control Assembly

Ref	Part No.	Qty.	Description
1	3296-58	2	Nut-Lock, NI
2	52-7430-03	1	Bar-Control
3	321-3	1	Screw-HH
4	66-0330	2	Spacer-Support
5	17-9426	2	Screw-Handle
6	46-6432	1	Screw-Handle
7	71-0960	1	Support-Cable
8	93-6634	1	Cable-Traction
9	3256-22	1	Washer-Flat
10	3296-42	3	Nut-Lock, NI
11	46-5520	1	Lever-Traction
12	66-5350	1	Lever-Control
13	95-4478	1	Guide-Rope
15	93-6628	1	Cable-Brake

1058 OPERATOR'S MANUAL



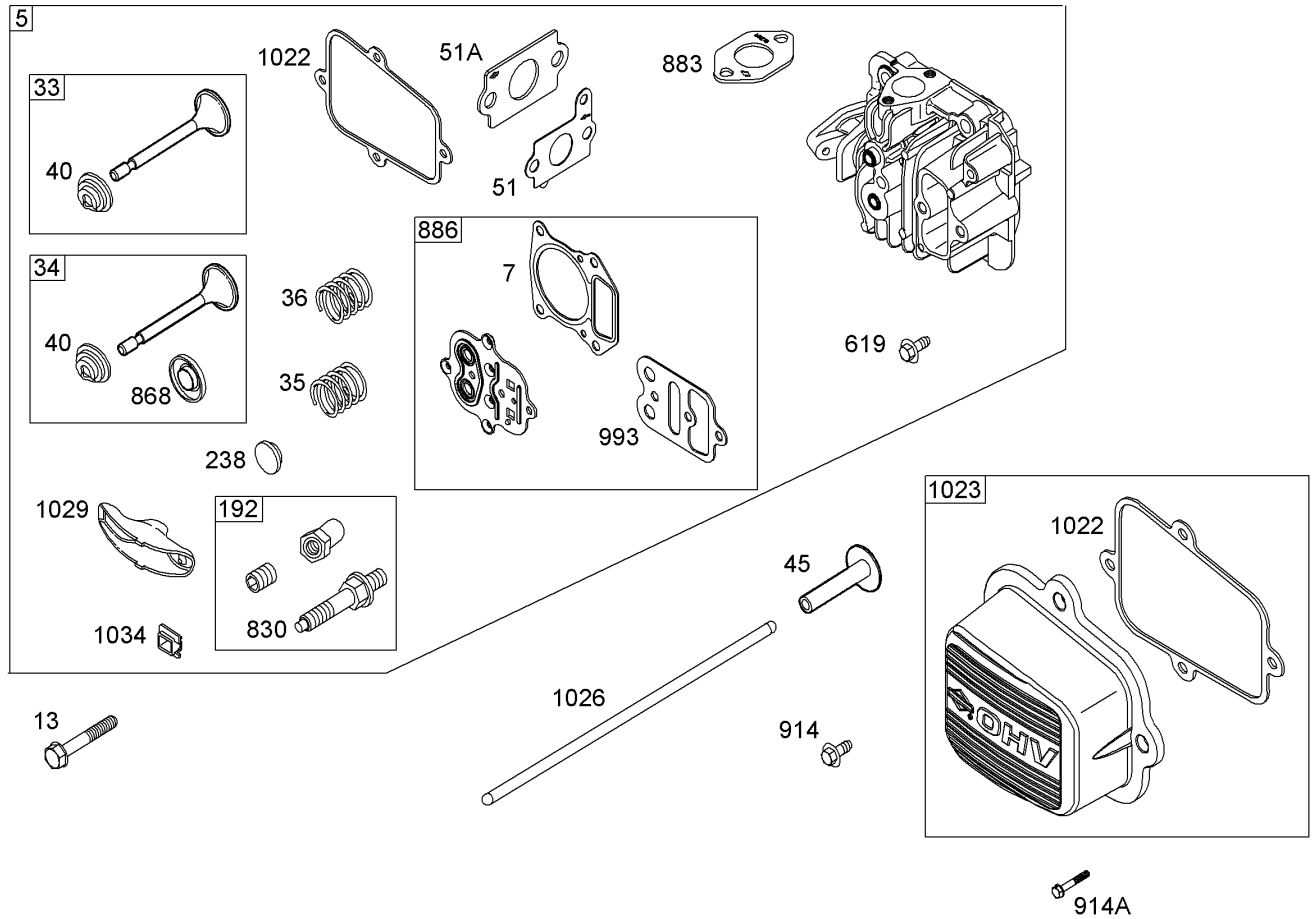
Assemblies include all parts shown in frames

Cylinder Assembly

Briggs and Stratton 122602-0207-B1

Ref	Part No.	Qty.	Description
1	790363	1	Cylinder ASM
2	399269	1	Bushing Seal Kit (Magneto Side)
3	299819s	1	Oil Seal (Magneto Side)
8	495786	1	Breather ASM
9	699833	1	Gasket-Breather
7			
10	691125	1	Screw (Breather ASM)
11	691260	1	Tube-Breather
306	691232	1	Shield-Cylinder
307	690345	1	Screw (Cylinder Shield)
337	692720	1	Plug-Spark
383	19374s	1	Wrench-Spark Plug
584	697734	1	Cover-Passage, Breather
585	691879	1	Gasket-Passage, Breather
635	66538s	1	Boot-Spark Plug
684	690345	1	Screw (Breather Passage Gasket)
718	690959	1	Pin-Locating
1058	MS5578	1	Operator's Manual

--	--	--	--

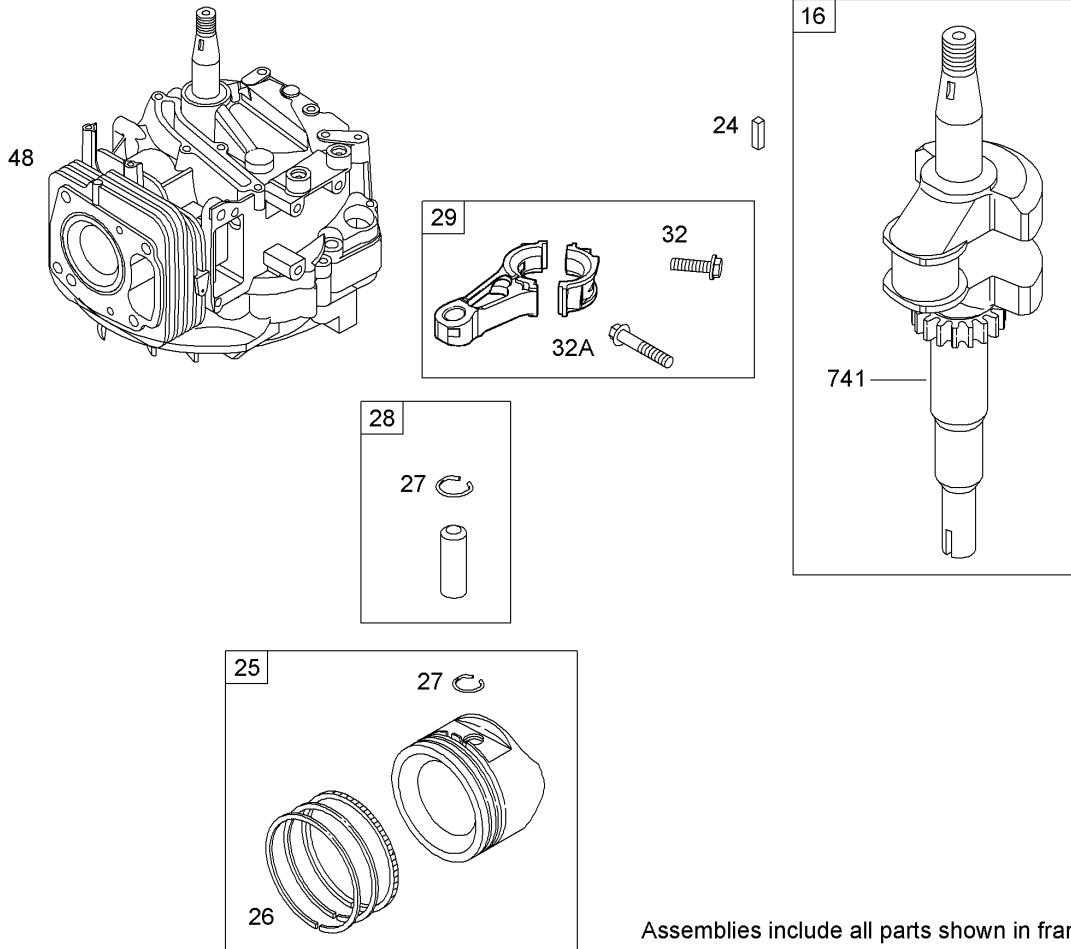


Assemblies include all parts shown in frames

Cylinder Head Assembly Briggs and Stratton 122602-0207-B1

Ref	Part No.	Qty.	Description
5	792381	1	Head-Cylinder
5 7	697230	1	Gasket-Head, Cylinder
5 13	691137	1	Screw (Cylinder Head)
5 33	499642	1	Valve-Exhaust
5 34	499641	1	Valve-Intake
5 35	691304	1	Spring-Valve (Intake)
5 36	691304	1	Spring-Valve (Exhaust)
5 40	692194	1	Retainer-Valve
5 45	690977	1	Valve-Tappet
5 51	692668	1	Gasket-Intake
5 51A	697735	1	Gasket-Intake
5 192	694543	1	Adjuster-Arm, Rocker
5 238	691300	1	Cap-Valve
5 619	691108	1	Screw (Cylinder Head Plate)
5 830	694544	1	Stud-Arm, Rocker
5 868	692044	1	Seal-Valve
5 883	691893	1	Gasket-Exhaust
5 886	696268	1	Cylinder Head Plate Gasket Kit
5 914	691127	1	Screw (Rocker Cover)
5 914A	691108	1	Screw (Rocker Cover)

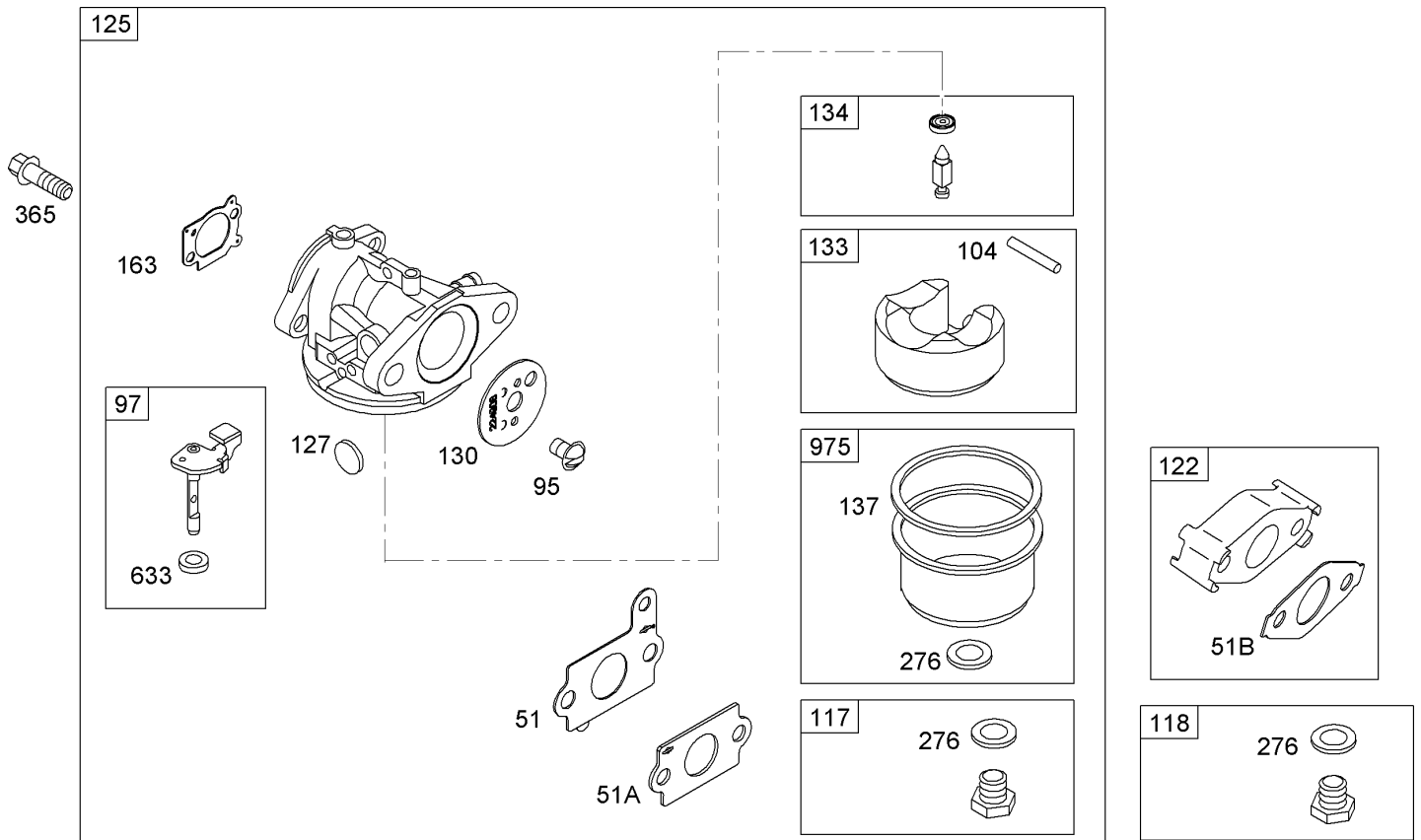
Ref	Part No.	Qty.	Description
5 993	694088	1	Gasket-Head Plate, Cylinder
5 1022	691890	1	Gasket-Cover, Rocker
5 1023	692694	1	Cover-Rocker
5 1026	692045	1	Rod-Push
5 1029	691230	1	Arm-Rocker
5 1034	691343	1	Guide-Rod, Push



Crankshaft Assembly Briggs and Stratton 122602-0207-B1

Ref	Part No.	Qty.	Description
16	695950	1	Crankshaft
24	222698	1	Key
25	792004	1	Piston ASM (STD)
25	791325	1	Piston ASM (.020 O S)
26	791969	1	Ring Set (STD)
26	791324	1	Ring Set (.020 O S)
27	691866	1	Lock-Pin, Piston
28	499423	1	Pin-Piston
29	499424	1	Rod-Connecting
32	691664	1	Screw (Connecting Rod)
32A	695759	1	Screw (Connecting Rod)
48	694898	1	Short Block
741	790345	1	Gear-Timing

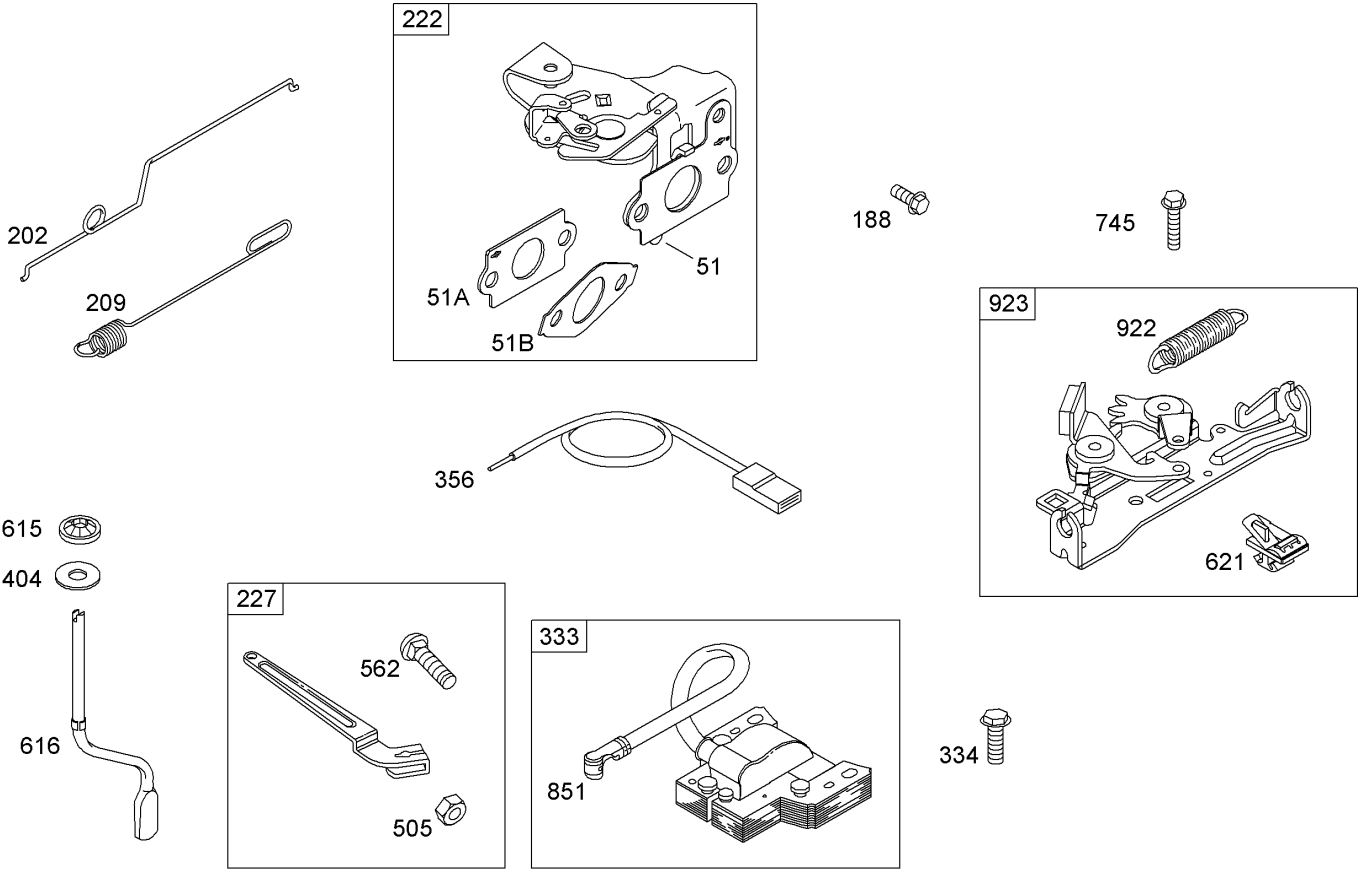
--	--



Carburetor Assembly Briggs and Stratton 122602-0207-B1

Ref	Part No.	Qty.	Description
4 5 51 6 7	692668	1	Gasket-Intake
4 5 51A 6 7	697735	1	Gasket-Intake
4 5 51B 6 7	692555	1	Gasket-Intake
3 95	691636	1	Screw (Throttle Valve)
3 97	790121	1	Shaft-Throttle
3 4 104	691242	1	Pin-Hinge, Float
3 117	498978	1	Jet-Main (STD)
3 118	498975	1	Jet-Main (High Altitude)
3 122	792382	1	Spacer-Carburetor
3 125	790120	1	Carburetor
3 4 127	694468	1	Plug-Welch
3 130	696564	1	Valve-Throttle
3 133	398187	1	Float-Carburetor
3 4 134	398188	1	Seat Kit-Needle
3 4 137 6	693981	1	Gasket-Bowl, Float
4 5 163 6 7	691894	1	Gasket-Cleaner, Air
3 4 276 6	271716	1	Washer-Sealing
3 365	691129	1	Screw (Carburetor)
3 4 633 6	691321	1	Seal-Shaft, Choke Throttle

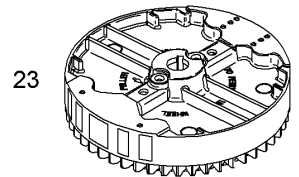
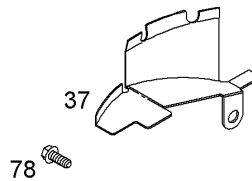
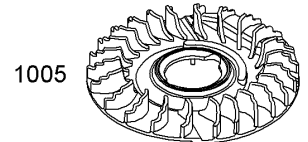
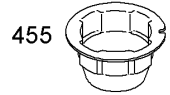
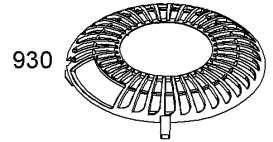
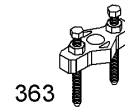
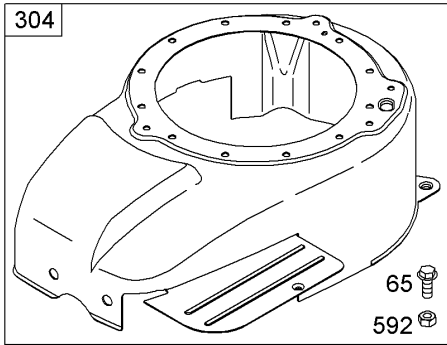
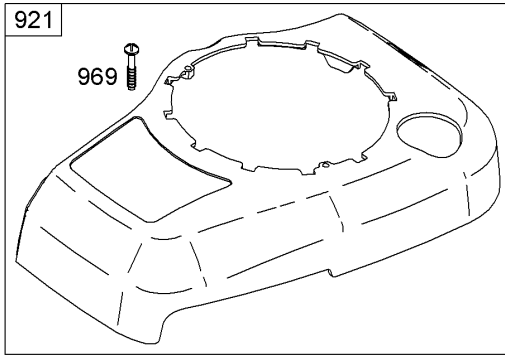
Ref	Part No.	Qty.	Description
975	493640	1	Bowl-Float



Assemblies include all parts shown in frames

Governor Assembly Briggs and Stratton 122602-0207-B1

Ref	Part No.	Qty.	Description
4 51	692668	1	Gasket-Intake
6 7			
4 51A	692799	1	Gasket-Intake
6 7			
4 51B	692555	1	Gasket-Intake
6 7			
3 188	691127	1	Screw (Control Bracket)
3 202	691303	1	Link-Governor, Mechanical
3 209	791156	1	Spring-Governor
3 222	792404	1	Bracket-Control
3 227	690783	1	Lever-Control, Governor
3 333	802574	1	Armature-Magneto
3 334	691061	1	Screw (Magneto Armature)
3 356	692390	1	Wire-Stop
3 404	690272	1	Washer (Governor Crank)
3 505	691251	1	Nut (Governor Control Lever)
3 562	691119	1	Screw (Governor Control Lever)
3 615	690340	1	Retainer-Shaft, Governor
3 616	698801	1	Crank-Governor
3 621	692310	1	Switch-Stop
3 745	691648	1	Screw (Brake)
3 851	493880s	1	Terminal-Spark Plug
3 922	691831	1	Spring-Brake
3 923	691994	1	Brake ASM



1036 Emission Label

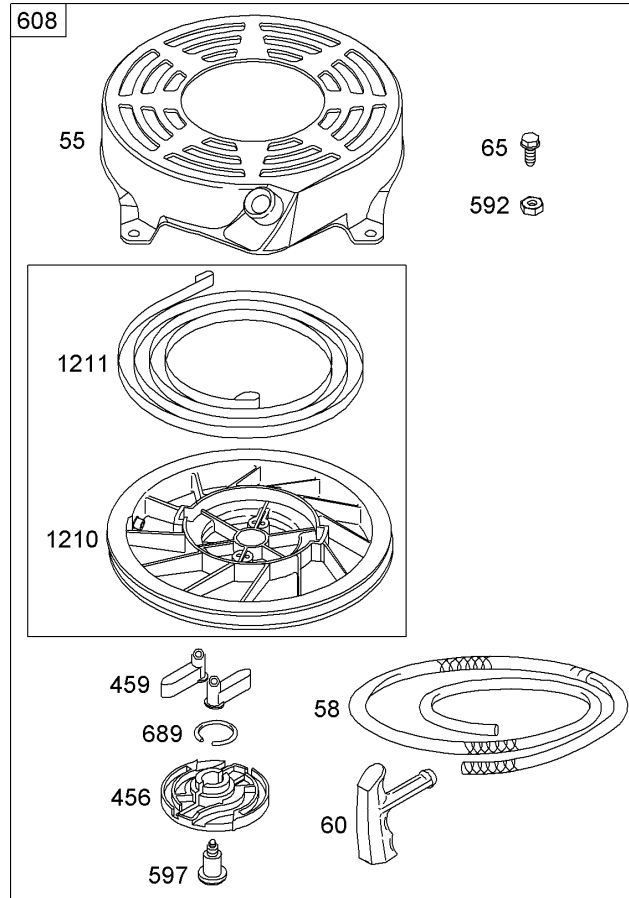
Assemblies include all parts shown in frames

Blower Housing Assembly

Briggs and Stratton 122602-0207-B1

Ref	Part No.	Qty.	Description
●23	696569	1	Flywheel
●37	694086	1	Guard-Flywheel
●65	690837	1	Screw (Rewind Starter)
●78	691108	1	Screw (Flywheel Guard)
●304	499677	1	Housing-Blower
●305	691108	1	Screw (Blower Housing)
●332	690662	1	Nut (Flywheel)
●363	19069	1	Puller-Flywheel
●455	791960	1	Cup-Flywheel
●592	690800	1	Nut (Rewind Starter)
●921	692699	1	Cover-Housing, Blower
●930	692691	1	Guard-Rewind
●969	691138	1	Screw (Blower Housing Cover)
●1005	691346	1	Fan-Flywheel
●1036	696767	1	Label-Emission

--	--	--	--

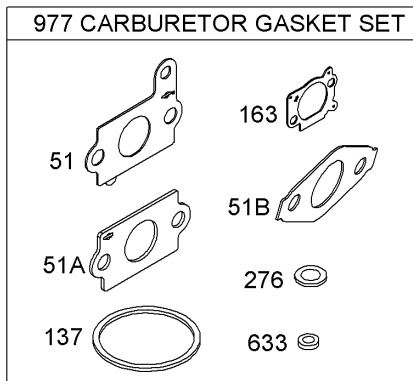
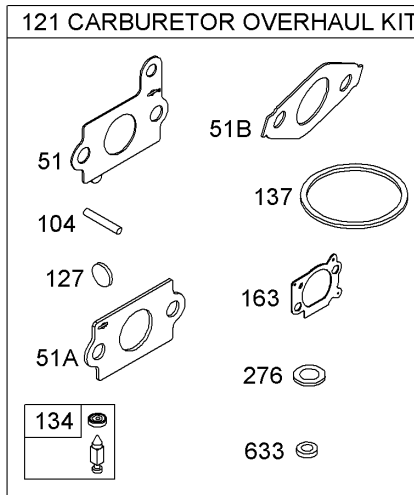


Assemblies include all parts shown in frames

Starter Assembly Briggs and Stratton 122602-0207-B1

Ref	Part No.	Qty.	Description
55	691421	1	Housing-Starter, Rewind
58	697316	1	Rope-Starter (Cut To Required Length)
60	281434s	1	Grip-Rope, Starter
65	690837	1	Screw (Rewind Starter)
456	692299	1	Plate-Friction, Pawl
459	281505s	1	Ratchet-Pawl
592	690800	1	Nut (Rewind Starter)
597	691696	1	Screw (Pawl Friction Plate)
608	497680	1	Starter-Rewind
689	691855	1	Spring-Friction
1210	498144	1	Pulley/Spring ASM (Pulley)
1211	498144	1	Pulley/Spring ASM (Spring)

--	--	--	--



Assemblies include all parts shown in frames

Carburetor Overhaul Kit Briggs and Stratton 122602-0207-B1

Ref	Part No.	Qty.	Description				
4 5 51 6 7	692668	1	Gasket-Intake				
4 5 51A 6 7	697735	1	Gasket-Intake				
4 5 51B 6 7	692555	1	Gasket-Intake				
3 4 104	691242	1	Pin-Hinge, Float				
3 121	792383	1	Carburetor Overhaul Kit				
3 4 127	694468	1	Plug-Welch				
3 4 134	398188	1	Seat Kit-Needle				
3 4 137 6	693981	1	Gasket-Bowl, Float				
4 5 163 6 7	691894	1	Gasket-Cleaner, Air				
3 4 276 6	271716	1	Washer-Sealing				
3 4 633 6	691321	1	Seal-Shaft, Choke Throttle				
3 977	792385	1	Carburetor Gasket Set				

NOTES

