



TimeCutter® Riding Mower

Model No. All models

Setup Instructions

Loose Parts

Use the chart below to verify that all parts have been shipped.

Step	Description	Qty.	Use
1	No parts required	–	Charge the battery.
2	Bolt (1/4 x 3/4 inch) Washer Nut (1/4 inch)	2 2 2	Connect the battery.
3	Seat Spacers Flat washers Knobs	1 2 2 2	Install the seat.
4	Control lever Bolt (1/4 x 3/4 inch)	2 4	Install the motion control levers.
5	Ignition Key Operator's Manual Engine Operator's Manual Hose coupling Operator Training Material	1 1 1 1 1	Complete the setup.

Note: Determine the left and right sides of the machine from the normal operating position.

Step

1

Charging the Battery

No Parts Required

Procedure

Warning

CALIFORNIA Proposition 65 Warning

Battery posts, terminals, and related accessories contain lead and lead compounds, chemicals known to the State of California to cause cancer and reproductive harm. Wash hands after handling.

Bulk electrolyte with 1.260 specific gravity must be purchased from a local battery supply outlet.

1. Raise the seat to access the battery. Remove the battery from the machine and place it on a level surface; refer to the *Operator's Manual*, Removing the Battery.

Important: Never fill the battery with electrolyte while the battery is installed in the tractor. Electrolyte could be spilled on other parts and cause corrosion.

2. Clean the top of the battery with a paper towel.
3. Remove the vent caps from the battery (Figure 1). Slowly pour electrolyte into each battery cell until the electrolyte level is up to the Upper line on the battery case (Figure 1).

Important: Do not overfill the battery because electrolyte (sulfuric acid) can cause severe corrosion and damage to the chassis.

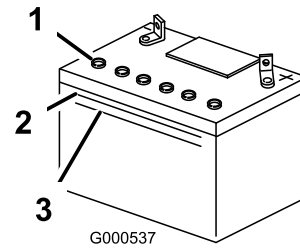


Figure 1

1. Vent caps
2. Upper line
3. Lower line

4. Wait five to ten minutes after filling the battery cells. Add electrolyte, if necessary, until the electrolyte level is up to the Upper line (Figure 1) on the battery case.
5. Install the battery vent caps.
6. Connect the charger leads to the corresponding battery posts as shown in Figure 2.

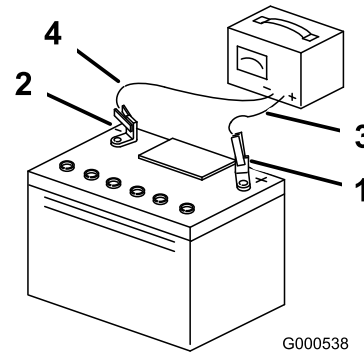


Figure 2

1. Positive Battery Post
2. Negative Battery Post
3. Red (+) Charger Lead
4. Black (-) Charger Lead



Charging the battery produces gasses that can explode.

Never smoke near the battery and keep sparks and flames away from battery.

7. Charge the battery for 10 to 15 minutes at 25 to 30 amps or 30 minutes at 4 to 6 amps (Figure 2). Do not overcharge the battery.
8. When finished, unplug the charger from the electrical outlet, then disconnect the charger leads from the battery posts (Figure 2).

Note: Do not run the machine with the battery disconnected, electrical damage may occur.

Step

2

Connecting the Battery

Parts needed for this step:

2	Bolt (1/4 x 3/4 inch)
2	Washer
2	Nut (1/4 inch)

Procedure

1. Install the battery in the machine and connect the battery cables using two bolts (1/4 x 3/4 inch), two washers, and two nuts (1/4 inch). Route the battery cable from the positive battery post to the solenoid. Ensure the cable is routed above the crossbar and between the seat supports as shown in Figure 3.

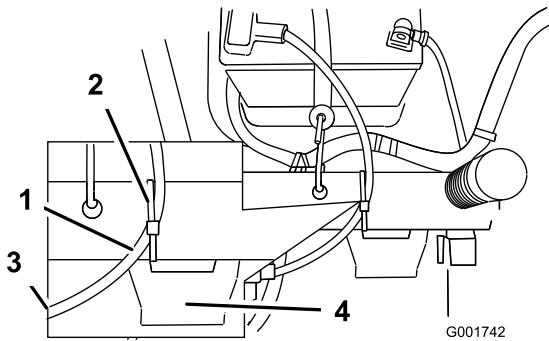


Figure 3

1. Battery cable
2. Plastic tie
3. To solenoid
4. Fuse block

2. Connect the positive battery cable to the positive battery post using the existing fasteners.

Important: Connect the cable to the positive post so that it extends parallel with the top of the battery, as shown in Figure 4, and verify that it does not come in contact with the seat pan.

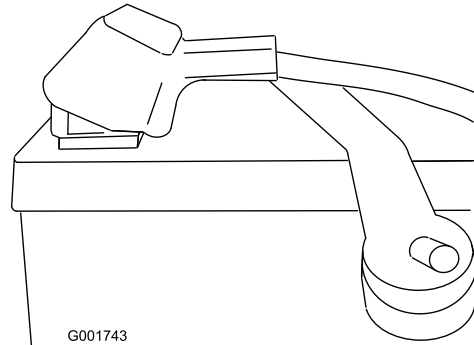


Figure 4

Step

3

Installing the Seat

Parts needed for this step:

1	Seat
2	Spacers
2	Flat washers
2	Knobs

Procedure

1. Remove the seat from the machine. Raise the seat support on the machine (Figure 5).
2. Slide the shoulder bolts on the bottom of the seat into the slots in the seat support (Figure 5).

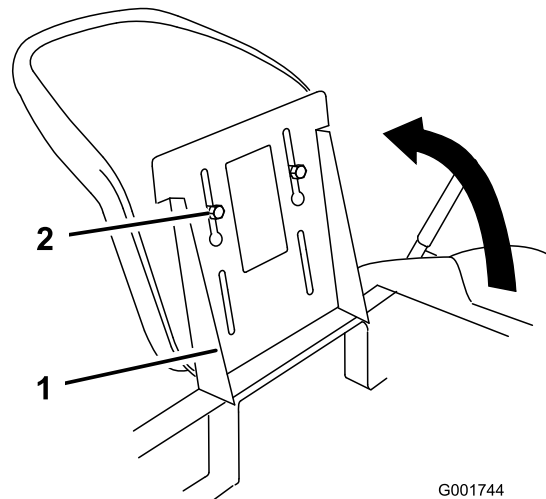
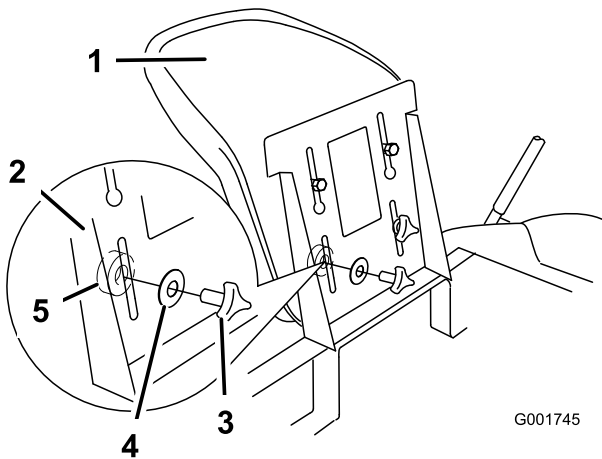


Figure 5

1. Seat support
2. Shoulder bolt

- Secure the seat to the seat support with the spacers, flat washers (5/16 inch) and knobs (Figure 6).



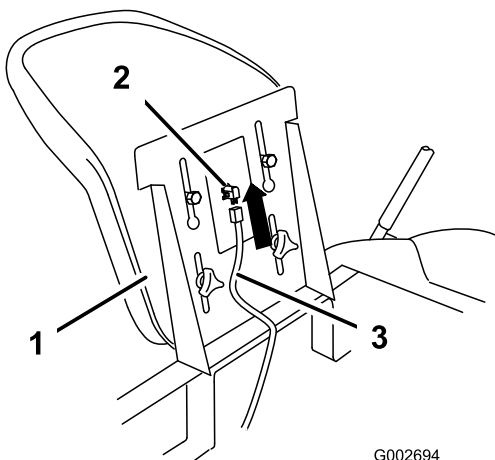
G001745

Figure 6

- | | |
|-----------------|------------------------|
| 1. Seat | 4. Washers (5/16 inch) |
| 2. Seat support | 5. Spacer |
| 3. Knob | |

Important: Make sure the spacers are between the seat and support, and the knobs pass through the washers, seat support, spacers and into the seat (Figure 6).

- Connect the seat switch harness to the seat switch in the base of the seat as shown in Figure 7.



G002694

Figure 7

- | | |
|----------------|-------------------|
| 1. Seat | 3. Switch harness |
| 2. Seat switch | |

- Lower the seat and adjust it if necessary; refer to Positioning the Seat in the mower *Operator's Manual*.

Step

4

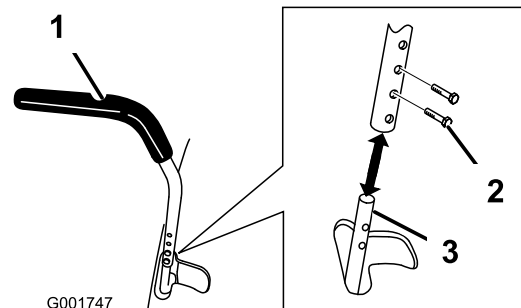
Installing the Motion Control Levers

Parts needed for this step:

2	Control lever
4	Bolt (1/4 x 3/4 inch)

Procedure

- Remove the motion control levers from the machine.
- Position the control lever to the desired height and align with the holes in the control lever shaft (Figure 8).
- Install 2 bolts (1/4 x 3/4 inch) into the control lever and shaft (Figure 8).



G001747

Figure 8

- | | |
|------------------|----|
| 1. Control lever | 3. |
| 2. Bolt | |

- Repeat the installation for the opposite control lever.
- Lower the seat and adjust if necessary; refer to Positioning the Seat in the *Operator's Manual*.

Step 5

Completing the Setup

Parts needed for this step:

1	Ignition Key
1	<i>Operator's Manual</i>
1	<i>Engine Operator's Manual</i>
1	Hose coupling
1	Operator Training Material

Procedure

Checking the Tire Pressure

Check the front and rear tires for proper inflation. Refer to Checking the Tire Pressure in the *Operator's Manual* for the recommended inflation pressure.

Checking the Mower Adjustment

The mower deck was leveled at the factory. If the mower is not cutting level, adjust the side-to-side level and the front-to-rear blade slope. See the Operator's Manual for the proper procedure.

Checking the Side Discharge Chute

Remove the packing restraint holding the side discharge chute up and lower the chute into place.

Checking the Engine Oil Level

Before you start the engine and use the machine, check the oil level in the engine crankcase; refer to Checking the Oil Level in the *Operator's Manual*.

Review the Remaining Parts

Keep all the following items with the machine:

- Ignition Key
- *Operator's Manual*
- *Engine Operator's Manual*
- Hose coupling
- View the Operator training material.



Count on it.