



## Dingo<sup>®</sup> TX 413 Compact Utility Loader

Model No. 22308 - 280000001 and up.

### Parts Catalog

---

#### Ordering Replacement Parts

To order replacement parts, please supply the part number, the quantity, and the description of each part desired.

#### Understanding Reference Numbers

Each identified part in an illustration has a reference number. The reference number for a part also appears in the parts list, along with other information about the part.

This catalog uses two special reference number formats, one to indicate parts in a service assembly and another to indicate the quantity of a given part in an illustration.

#### Service Assembly Reference Numbers

Parts in service assemblies have reference numbers in the form a:b. The a represents the reference number of the entire service assembly and the b represents a sequential number unique to each part within the service assembly.

For example, a wheel assembly might be identified by reference number 6, the tire by 6:1, the valve by 6:2, and the wheel by 6:3. When you order the assembly identified by reference number 6, you receive all parts identified by reference numbers 6:1, 6:2, and 6:3. However, you may also order any part individually. Reference numbers of this type appear in illustrations and in part lists.

#### Reference Numbers Indicating Quantity

In an illustration, if a reference number indicates more than one part, the reference number has the form nX y. The n represents the quantity of the part, the X is the multiplication symbol, and the y represents the reference number.

For example, in an illustration, the reference number 2X 37 means that two of the parts identified by reference number 37 are indicated.

# Contents

Description	Page	Description	Page
Frame Assembly	..... 3	Cylinder Barrel Assembly Honda GX390K1QNE2	..... 23
Track and Traction Assembly	..... 5	Crankcase Cover Assembly Honda GX390K1QNE2	..... 24
Engine and Drive Assembly	..... 6	Crankshaft Assembly Honda GX390K1QNE2	..... 25
Loader Arm and Quick Attach Assembly	..... 7	Piston Assembly Honda GX390K1QNE2	..... 26
Loader Arm Hydraulic Assembly	..... 8	Camshaft Assembly Honda GX390K1QNE2	..... 27
Valve Assembly No. 106-9406	..... 9	Fan Cover Assembly Honda GX390K1QNE2	..... 28
Traction Control Assembly	..... 10	Carburetor Assembly Honda GX390K1QNE2	..... 29
Control Panel Assembly	..... 11	Air Cleaner Assembly Honda GX390K1QNE2	..... 31
Electrical Assembly	..... 12	Muffler Assembly Honda GX390K1QNE2	..... 32
Traction Hydraulic Assembly	..... 13	Flywheel Assembly Honda GX390K1QNE2	..... 33
Hydraulic Motor Assembly No. 104-8470	..... 14	Ignition Coil Assembly Honda GX390K1QNE2	..... 34
Hydraulic Pump Assembly No. 106-9471	..... 15	Starter Motor Assembly Honda GX390K1QNE2	..... 35
Hydraulic Pump Assembly No. 106-9470	..... 16	Control Assembly Honda GX390K1QNE2	..... 36
Principle Hydraulic Assembly	..... 17	Miscellaneous Part Assembly Honda GX390K1QNE2	..... 37
Spool Valve Assembly No. 106-9405	..... 18	Attachments and Accessories List	..... 38
Fuel Tank Assembly	..... 19		
Hood and Brake Assembly	..... 20		
Cylinder Head Assembly Honda GX390K1QNE2	..... 22		

## Part Description Abbreviations

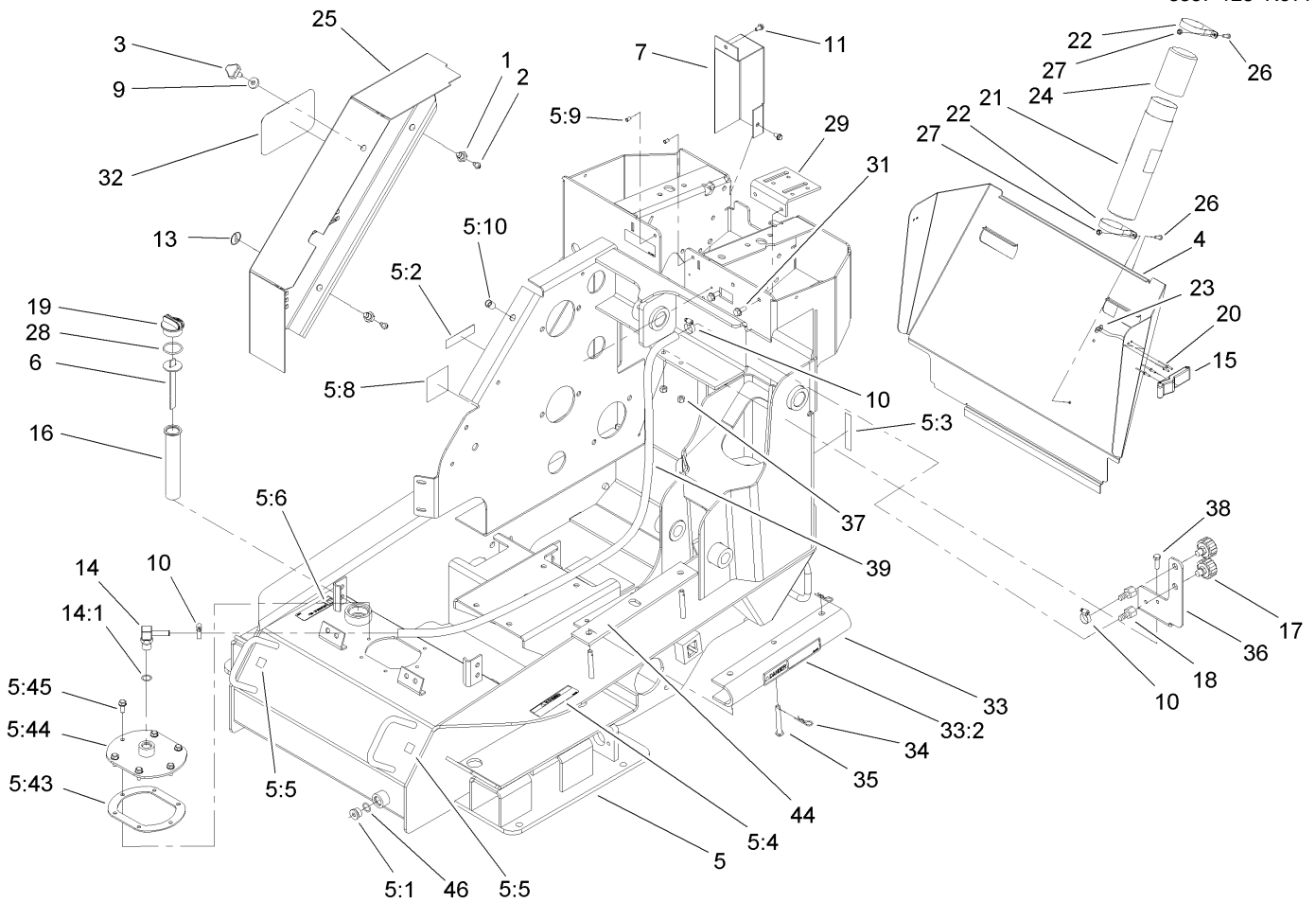
Part descriptions in this catalog may include the following abbreviations.

AR. .... as required	HYD. .... hydraulic
ASM. .... assembly	LH. .... left hand
BBC. .... blade brake clutch	NI. .... nylon insert
CARR. .... carriage	NPTF. .... national pipe thread fine
DEG. .... degrees	PFH. .... phillips flat head
EXT. .... external	PPH. .... phillips pan head
FH. .... flat head	PPHTF. .... phillips pan head thread forming
GA. .... gauge	PRH. .... phillips round head
HD. .... heavy-duty	PTH. .... phillips truss head
HF. .... hex flange	PTO. .... power-take-off
HH. .... hex head	RH. .... right hand
HHF. .... hex head flange	ROPS. .... roll-over protection system
HHFTF. .... hex head flange thread forming	SFH. .... slotted fillister head
HJ. .... hex jam	SHH. .... slotted hex head
HLH. .... hex lag head	SHWH. .... slotted hex washer head
HOC. .... height-of-cut	SPH. .... slotted pan head
HSBH. .... hex socket button head	SQH. .... square head
HSFH. .... hex socket flat head	SRH. .... slotted round head
HSH. .... hex socket head	STD. .... standard
HWH. .... hex washer head	TAP. .... self tapping
HWHTF. .... hex washer head thread forming	TTH. .... torx truss head

## Footnotes

- ❶ Not illustrated
- ❷ Obtain from your local Honda dealer

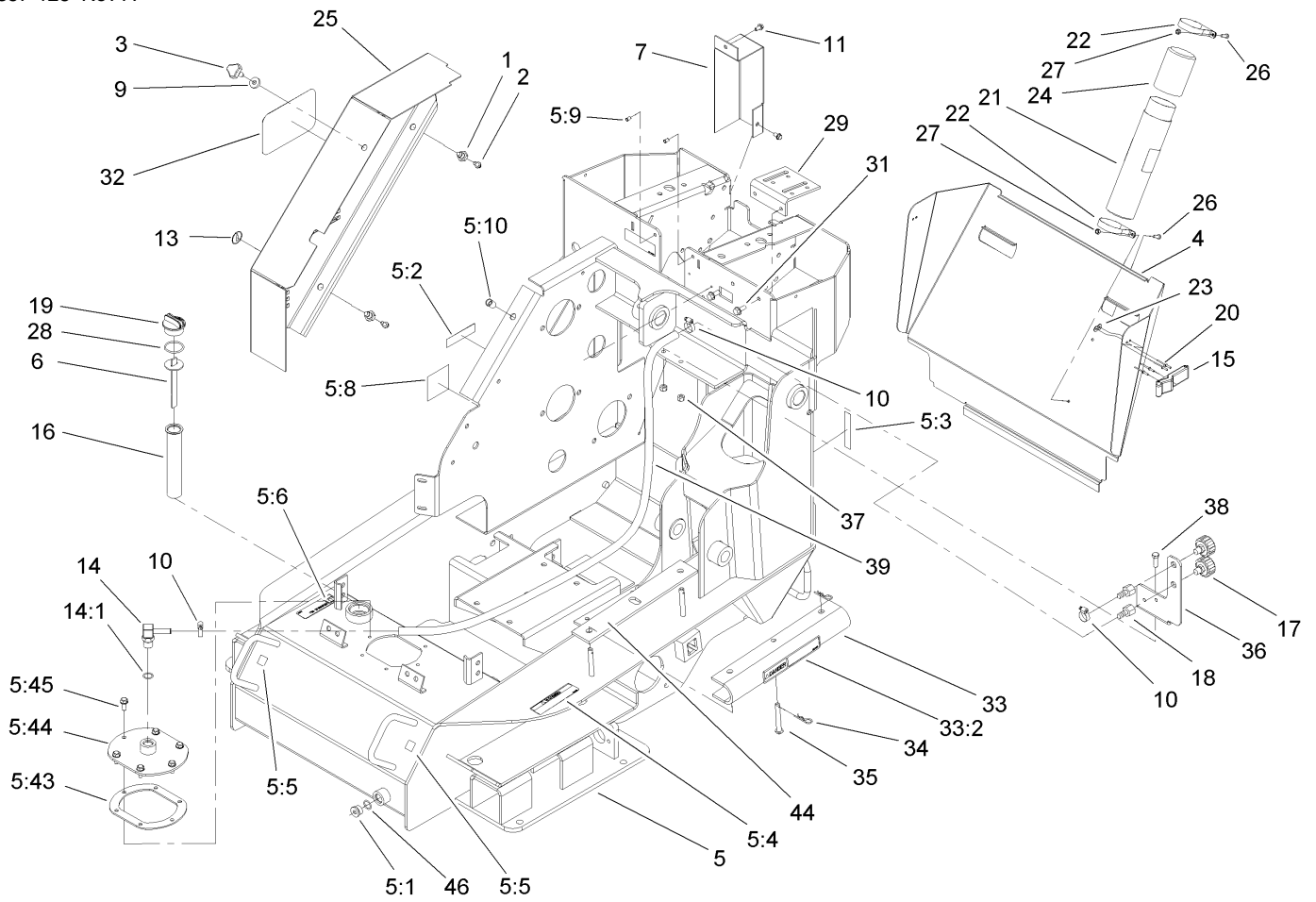
- ❸ Not serviced separately



## Frame Assembly

Ref	Part No.	Qty.	Description
1	95-3989	2	Mount-Sidepanel
2	46-8093	2	Screw-Plastite
3	95-9648	1	Knob
4	106-9472-01	1	Cover-Rear
5	106-9530	1	Frame ASM
5:1	353-550	1	Plug-HYD, HH
5:2	98-5954	1	Decal-Cover, Missing
5:3	104-2838	1	Decal-Brake
5:4	100-6141	1	Decal-Pinch
5:5	93-9084	4	Decal-Point, Lift
5:6	105-8432	1	Decal-Oil, HYD
5:8	106-9514	1	Decal-Belt Routing
5:9	32148-6	2	Insert-Nut
5:10	32148-9	1	Insert-Nut
5:43	107-3557	1	Gasket-Cover, Access
5:44	107-3559	1	Cover ASM
5:45	98-9940	6	Screw
6	100-2097	1	Dipstick-Oil
7	105-9043-03	1	Cover-Pulley
9	106-0565	1	Washer-Rubber
10	92-2379	3	Clamp-Hose
11	32144-4	2	Screw-HWH
13	58-6520	1	Decal-Grease
14	354-134	1	Fitting-HYD, 90 DEG

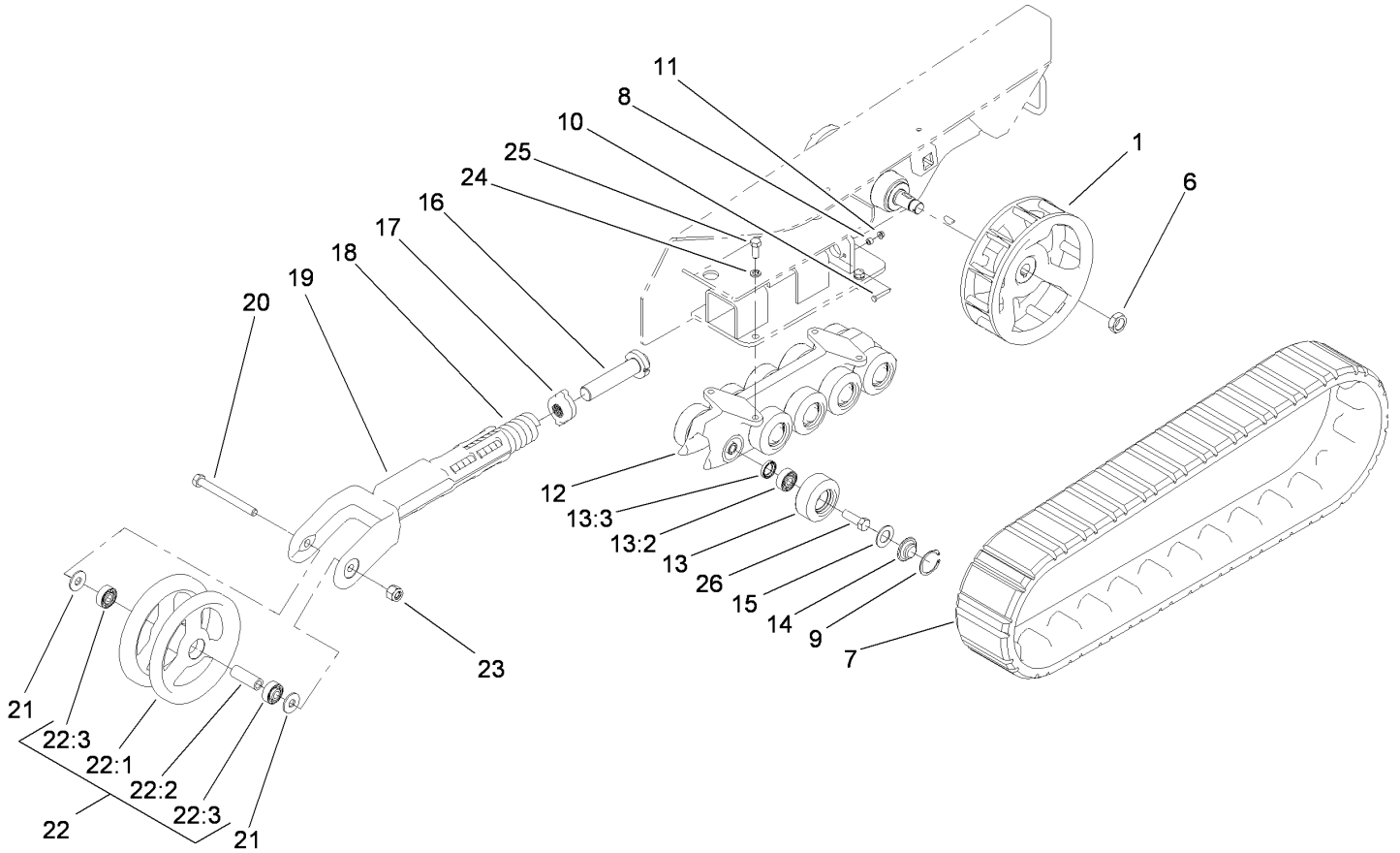
Ref	Part No.	Qty.	Description
14:1	237-79	1	O-Ring
15	80-6980	2	Latch
16	61-2790	1	Filter-Screen
17	68-6150	2	Breather
18	354-95	2	Fitting-Straight
19	93-7498	1	Plug-Plastic
20	3269-17	8	Rivet-Pop
21	104-7050	1	Housing-Manual
22	2412-120	2	R-Clamp
23	3269-10	8	Washer-Back
24	104-7048	1	Cap-Housing
25	106-9427-03	1	Cover-Belt
26	3290-500	2	Screw-PPH
27	3296-2	2	Nut-Lock
28	237-123	1	O-Ring
29	106-9447-01	1	Bracket-Mount, Throttle
31	32144-70	2	Screw-HWHTF
32	105-1217	1	Decal
33	107-3552	1	Locking Arm ASM
33:2	100-6135	1	Decal-Danger
34	3290-467	3	Pin-Hair
35	283-52	1	Pin-Clevis
36	106-3132-01	1	Bracket-Filter
37	3296-29	2	Nut-Lock, NI



### Frame Assembly (continued)

Ref	Part No.	Qty.	Description
38	322-5	2	Screw-HH
39	109-0277	1	Hose-Fuel
44	106-9495	1	Pad-Rubber
46	237-79	1	O-Ring

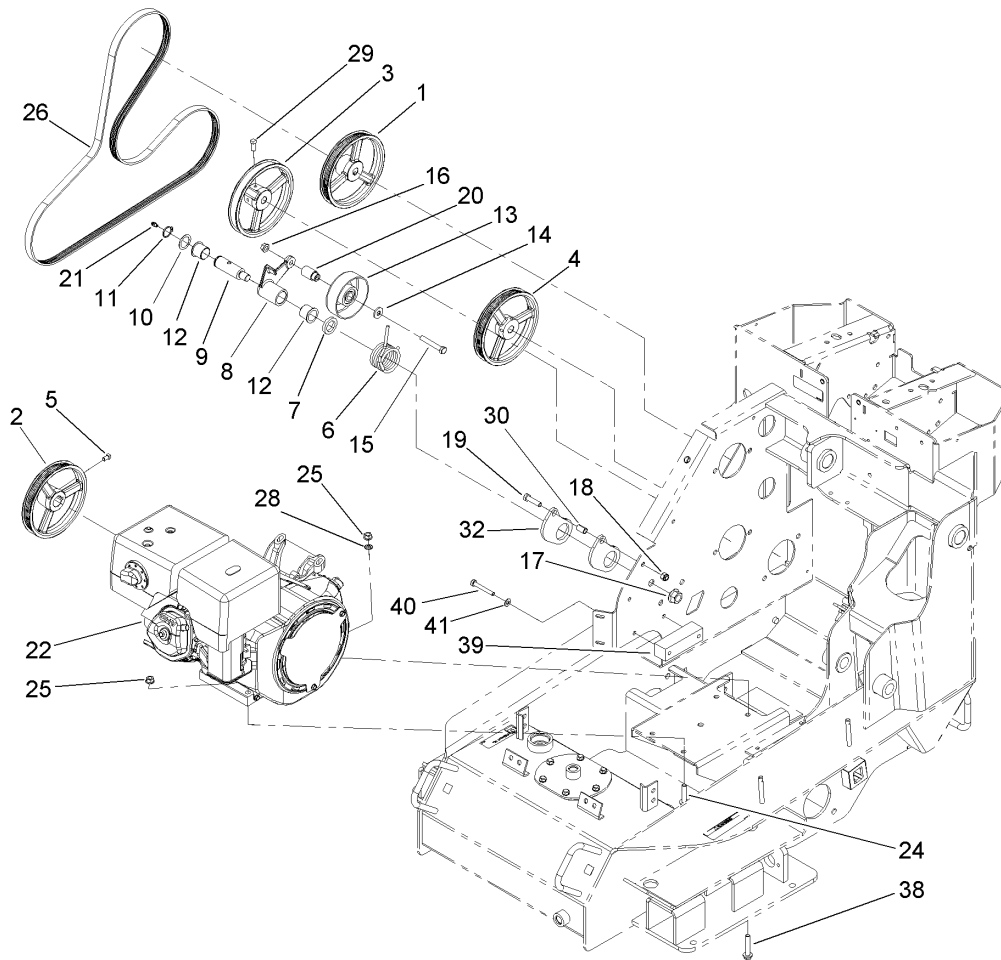
Ref	Part No.	Qty.	Description



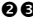
## Track and Traction Assembly

Ref	Part No.	Qty.	Description
1	108-5648-03	2	Wheel-Drive
6	106-8159	2	Nut-Lock
7	98-9800	2	Track
8	98-4799	2	Tube-Spacer
9	106-7595	20	Ring-Snap, Internal
10	321-37	2	Screw-HH
11	32128-32	2	Nut-HHF
12	106-7590-03	2	Guide-Track
13	106-7621	20	Road Wheel ASM
13:2	93-4237	1	Bearing
13:3	253-118	1	Seal-Oil
14	106-7557	20	Cap-Wheel, Bearing
15	106-7585	20	Gasket-Bogie
16	98-9846	2	Bolt-Tensioner
17	108-4664	2	Block-Tensioner
18	95-3624	2	Spring-Compression
19	108-4691-03	2	Arm-Tensioner
20	327-17	2	Screw-HH
21	3256-7	4	Washer-Flat
22	104-5745	2	Tensioner Wheel ASM
22:1	104-5747-03	1	Wheel-Tensioner
22:2	98-9835	1	Spacer-Wheel, Tensioner
22:3	93-4237	2	Bearing
23	3296-24	2	Nut-Lock, NI

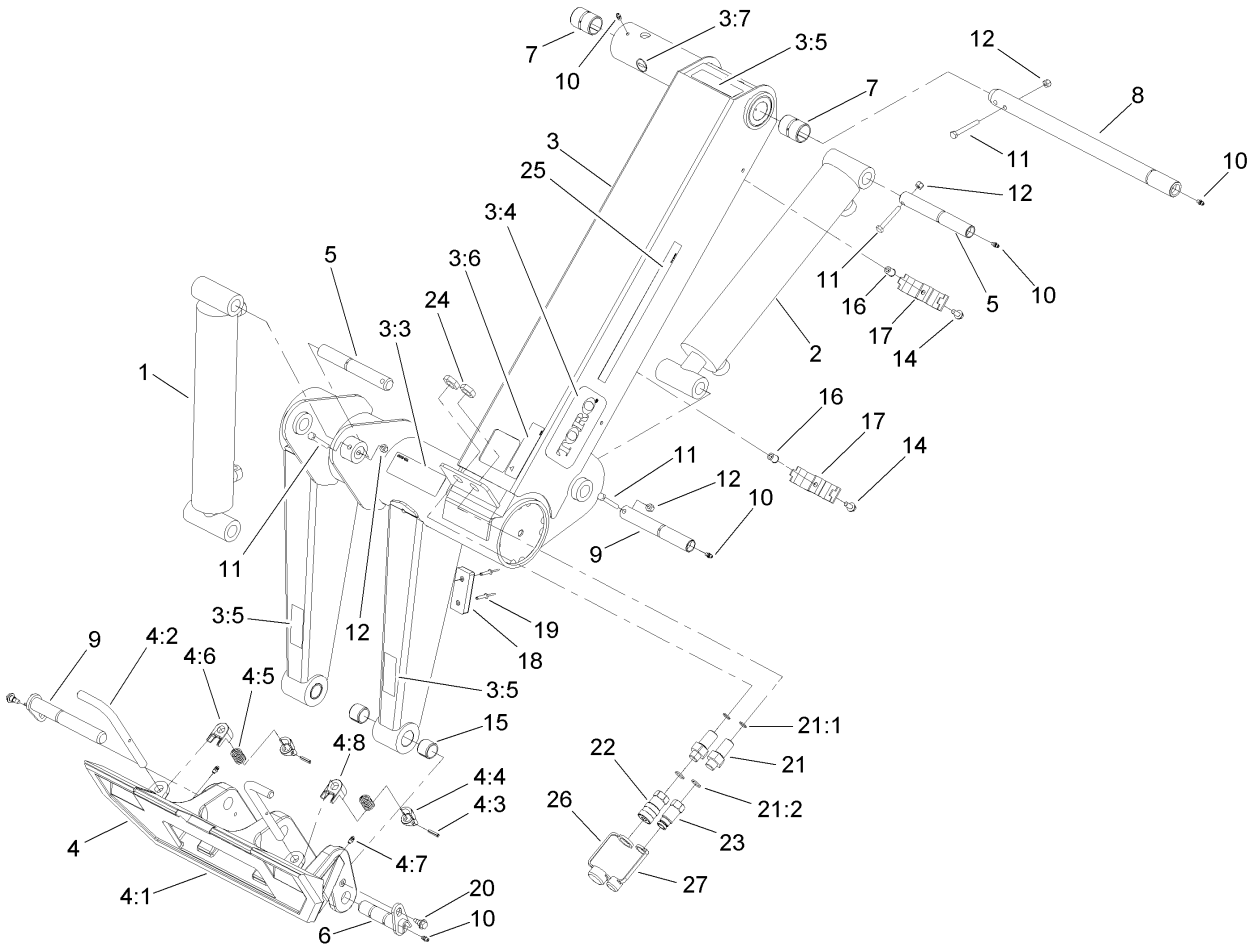
Ref	Part No.	Qty.	Description
24	3253-7	8	Washer-Lock
25	325-5	8	Screw-HH
26	327-4	20	Screw-HH



## Engine and Drive Assembly

Ref	Part No.	Qty.	Description
1	104-8448	1	Pulley
2	104-8449	1	Pulley
3	104-8450	1	Pulley
4	105-9046	1	Pulley
5	3242-2	2	Screw-SQH
6	100-4844	1	Spring-Torsion
7	99-3625	1	Spacer-Arm, Idler
8	99-3623-03	1	Arm-Idler
9	99-3624	1	Shaft-Pivot, Idler
10	74-1810	1	Washer
11	32151-36	1	Ring-Retaining
12	99-3631	2	Bushing-Flange
13	95-8802	1	Pulley-Idler
14	80-6990	1	Washer-Hardened
15	323-12	1	Screw-HH
16	32128-21	1	Nut-HF
17	32128-54	1	Nut-HF
18	3296-39	1	Nut-Lock, NI
19	323-8	1	Screw-HH
20	105-9035	1	Spacer-Idler
21	302-5	1	Fitting-Grease
 22		1	Engine-Honda, Gx390K1Qne2
24	3234-19	3	Screw-HHF
25	32128-21	4	Nut-HF

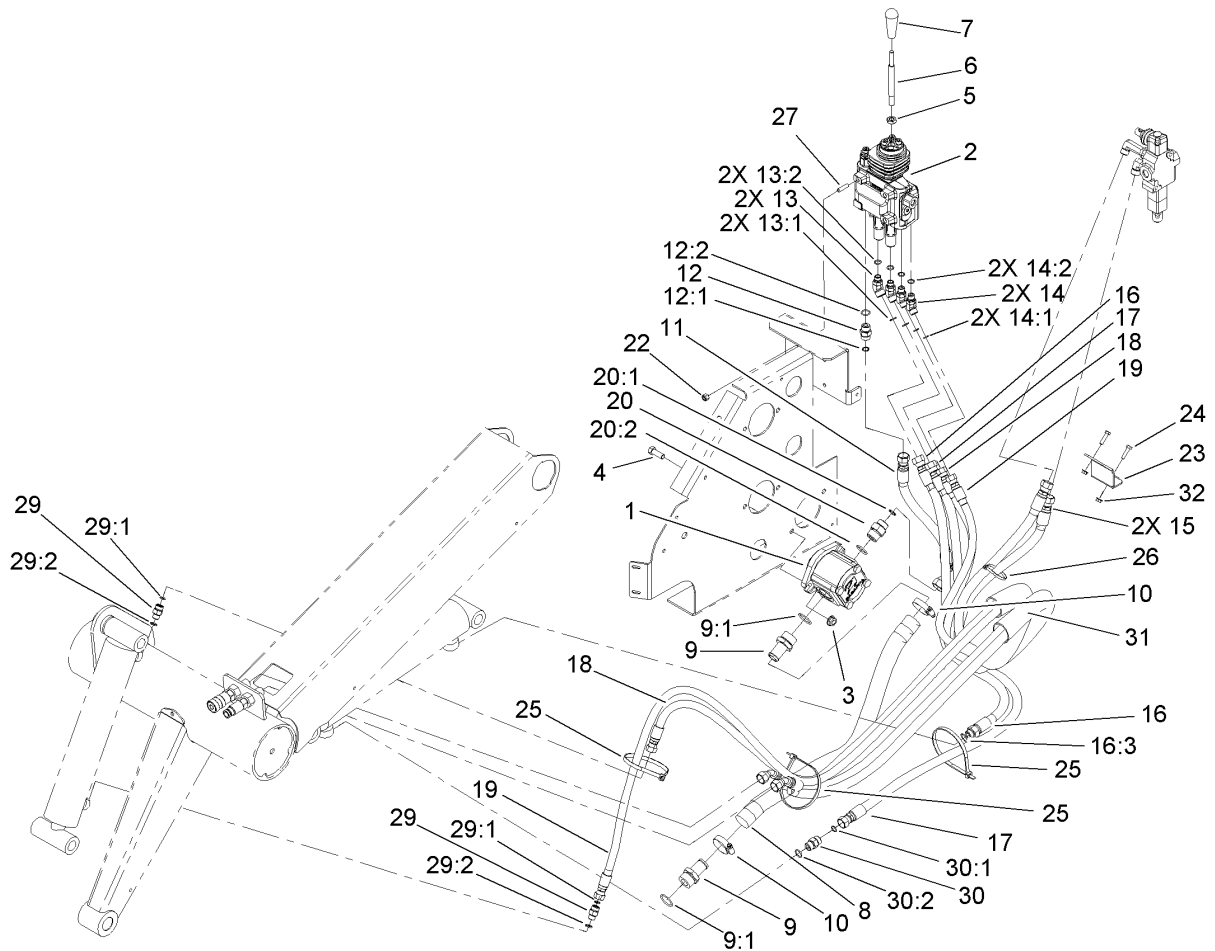
Ref	Part No.	Qty.	Description
26	106-9422	1	Belt-Poly-V
28	3255-9	1	Washer-Lock
29	3242-4	6	Screw-Set, SQH
30	106-4501	1	Spacer-Scraper, Stop
32	106-9480	2	Pad-Rubber
38	108-3742	1	Screw-HHF
39	108-6322	1	Spacer-Mount
40	3210-11	2	Screw-HH
41	3256-23	2	Washer-Flat



## Loader Arm and Quick Attach Assembly

Ref	Part No.	Qty.	Description
1	106-3161	1	Cylinder-HYD
1:1	106-9466	1	Seal Kit
2	106-3162	1	Cylinder-HYD
2:1	106-9467	1	Seal Kit
3	108-4633	1	Loader Arm ASM
3:3	106-9451	1	Decal-Caution
3:4	105-1217	1	Decal
3:5	100-6141	3	Decal-Pinch
3:6	100-6101	1	Decal-Caution
3:7	58-6520	1	Decal-Grease
4	106-9426	1	Quick Attach ASM
4:1	106-3156-03	1	Mount-Qtach
4:2	105-8367	2	Pin-Locking
4:3	3285-1	2	Pin-Grooved
4:4	105-0246	2	Cam
4:5	98-4694	2	Spring-Compression
4:6	104-5909	1	Stop-RH
4:7	302-5	2	Fitting-Grease
4:8	104-5903	1	Stop-LH
5	105-9075	3	Pin-Pivot
6	106-3139	2	Pivot Pin ASM
7	106-3133	2	Bushing-Tension, Loader Arm
8	106-3164	1	Pin-Pivot, Loader Arm
9	106-3140	1	Pivot Pin ASM

Ref	Part No.	Qty.	Description
10	302-5	8	Fitting-Grease
11	322-12	4	Screw-HH
12	3296-29	4	Nut-Lock, NI
14	322-5	2	Screw-HH
15	98-4871	4	Bushing-Tension
16	32148-7	2	Nut-Insert
17	107-3553-03	2	Clamp-Hose
18	86-5350	2	Bumper-Rubber
19	3269-11	4	Rivet
20	99-5105	3	Bolt-Shoulder
21	98-9907	2	Union-Bulkhead
21:1	237-30	1	O-Ring
21:2	237-79	1	O-Ring
22	104-6115	1	Coupler-Female
23	104-6114	1	Nipple-Connector
23:1	107-9301	1	Seal Kit
24	340-127	2	Nut-Bulkhead
25	106-9452	1	Decal-Model
26	105-5865	1	Cap-Dust
27	105-5866	1	Plug-Dust

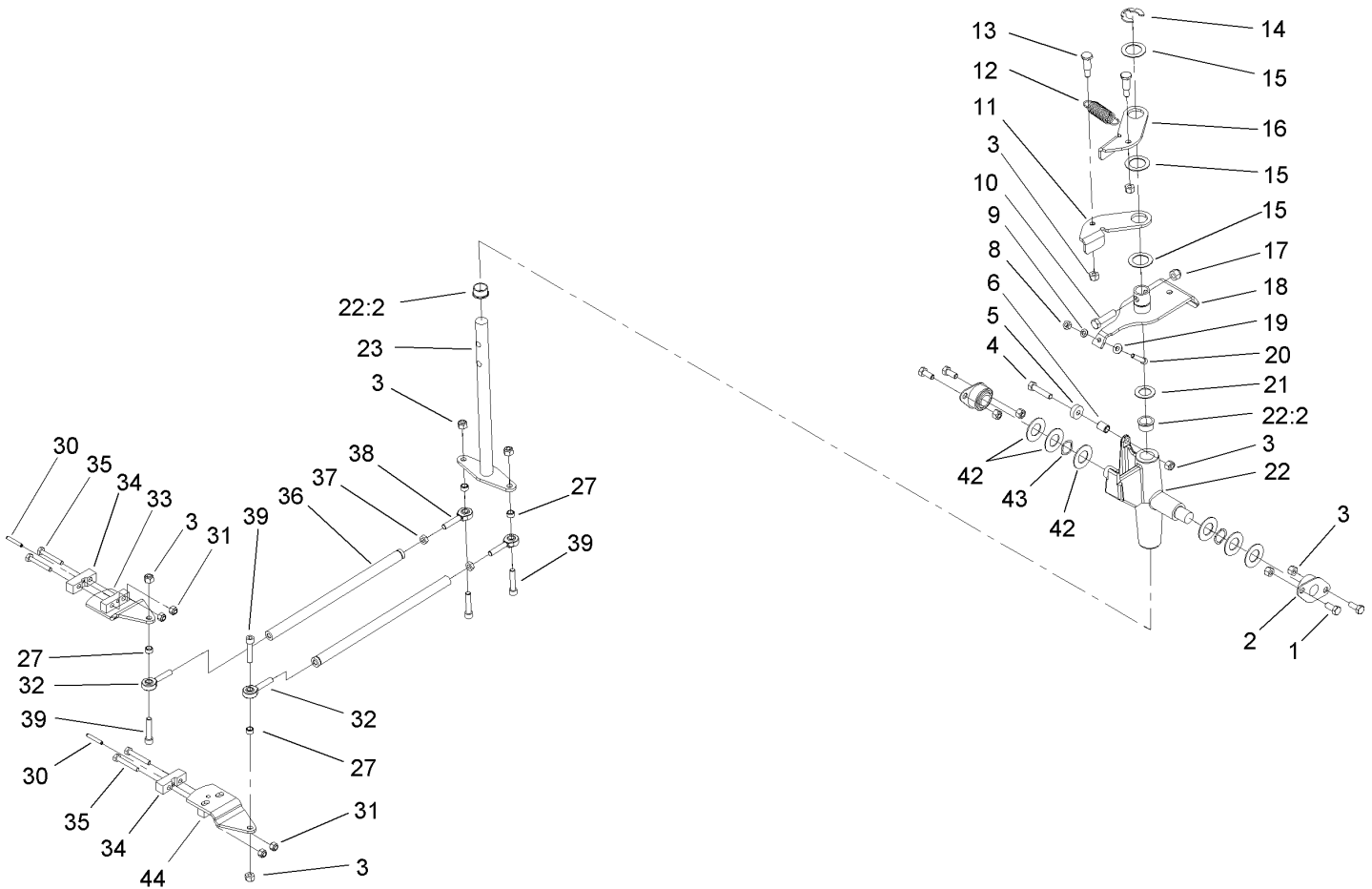


## Loader Arm Hydraulic Assembly

Ref	Part No.	Qty.	Description
1	104-8481	1	Pump-Gear
1:1	98-4700	1	Key-Square
1:2	107-3550	1	Seal Kit
2	106-9406	1	Valve-Loader
3	32128-42	2	Nut-HF
4	324-5	2	Screw-HH
5	51-2070	1	Nut
6	106-9515	1	Shaft-Handle, Lift/Tilt
7	98-0152	1	Knob-Tapered
8	106-9446	1	Hose-HYD, Suction
9	354-78	2	Connector-Hose
9:1	237-146	1	O-Ring
10	2412-111	2	Clamp
11	106-3148	1	HYD Hose ASM
12	340-4	1	Fitting-HYD, Straight
12:1	237-30	1	O-Ring
12:2	237-79	1	O-Ring
13	340-96	2	Adapter
13:1	237-30	1	O-Ring
13:2	237-42	1	O-Ring
14	340-87	2	Fitting-HYD, 45 DEG
14:1	237-22	1	O-Ring
14:2	237-42	1	O-Ring
15	106-3145	2	HYD Hose ASM

Ref	Part No.	Qty.	Description
16	106-3147	1	HYD Hose ASM
16:3	237-79	1	O-Ring
17	107-3593	1	HYD Hose ASM
18	107-3592	1	HYD Hose ASM
19	107-3591	1	HYD Hose ASM
20	340-8	1	Adapter
20:1	237-65	1	O-Ring
20:2	237-81	1	O-Ring
22	3296-29	3	Nut-Lock, NI
23	107-3595-01	1	Clamp-Hose
24	322-6	2	Screw-HH
25	3334-945	5	Tie-Cable
26	3290-379	4	Tie-Cable
27	104-0430	4	Stud
29	340-2	2	Fitting-HYD, Straight
29:1	237-22	1	O-Ring
29:2	237-42	1	O-Ring
30	340-4	1	Fitting-HYD, Straight
30:1	237-30	1	O-Ring
30:2	237-79	1	O-Ring
31	107-3589	2	Sleeve-Hose
32	32128-20	2	Nut-HF

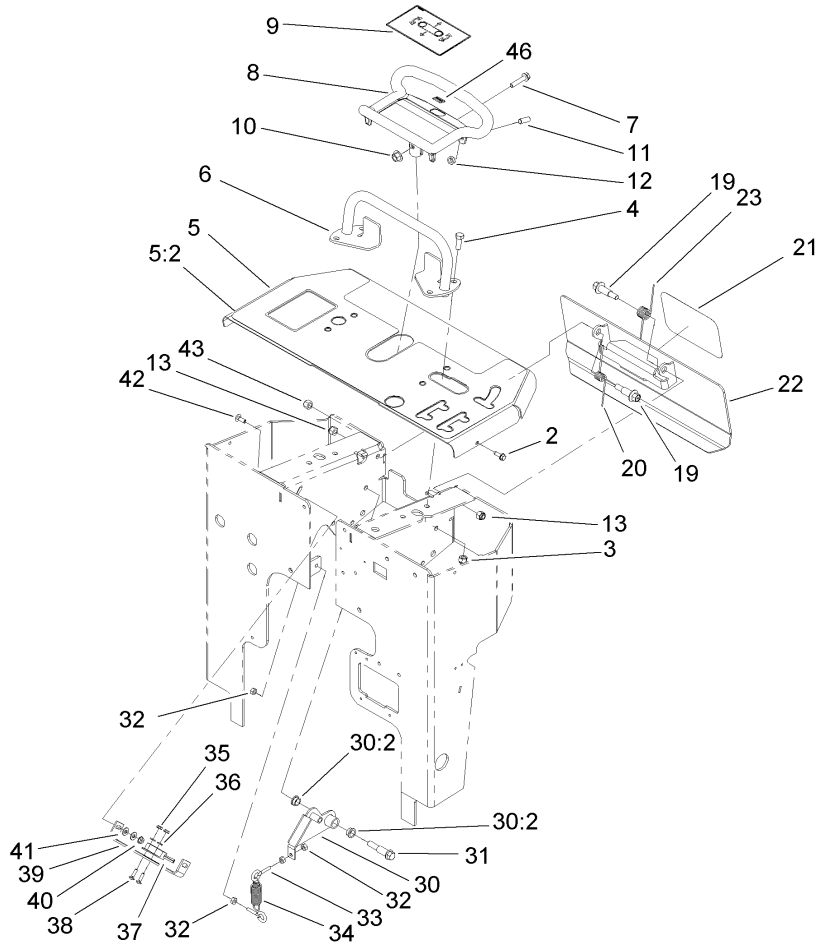




## Traction Control Assembly

Ref	Part No.	Qty.	Description
1	322-3	4	Screw-HH
2	68-2970	2	Bushing
3	3296-29	11	Nut-Lock, NI
4	322-7	1	Screw-HH
5	251-259	1	Bearing-Ball
6	88-7450	1	Spacer-Lever, Control
8	3217-5	1	Nut-Hex
9	3253-3	1	Washer-Lock
10	323-8	1	Screw-HH
11	98-8407	1	Lever-Return, RH
12	108-4724	1	Spring-Extension
13	63-2650	2	Screw-Shoulder
14	32151-91	1	Ring-Retaining
15	108-9743	3	Washer-Plain
16	98-8408	1	Lever-Return, LH
17	3296-39	1	Nut-Lock, NI
18	104-9968	1	Pivot Lever ASM
19	3256-22	1	Washer-Flat
20	3274-51	1	Screw-HSH
21	257-8	1	Washer-Thrust
22	106-5737	1	Control Support ASM
22:2	256-252	2	Bearing-Flange
23	106-5745	1	Drive Rod ASM
27	92-3133	4	Spacer-Lever, Traction

Ref	Part No.	Qty.	Description
30	32121-6	2	Pin-Roll, Slotted
31	3296-42	4	Nut-Lock, NI
32	2411-53	2	Bearing-Rod End, LH
33	104-8475	1	Pump Lever ASM
34	105-0365	2	Clamp-Traction
35	321-10	4	Screw-HH
36	105-9030	2	Rod-Linkage
37	3220-2	2	Nut-Jam
38	2411-52	2	Bearing-Rod End, RH
39	3274-83	4	Screw-HSH
42	3256-39	6	Washer-Flat
43	95-3703	2	Washer-Spring, Wave
44	105-0362	1	Pump Lever ASM

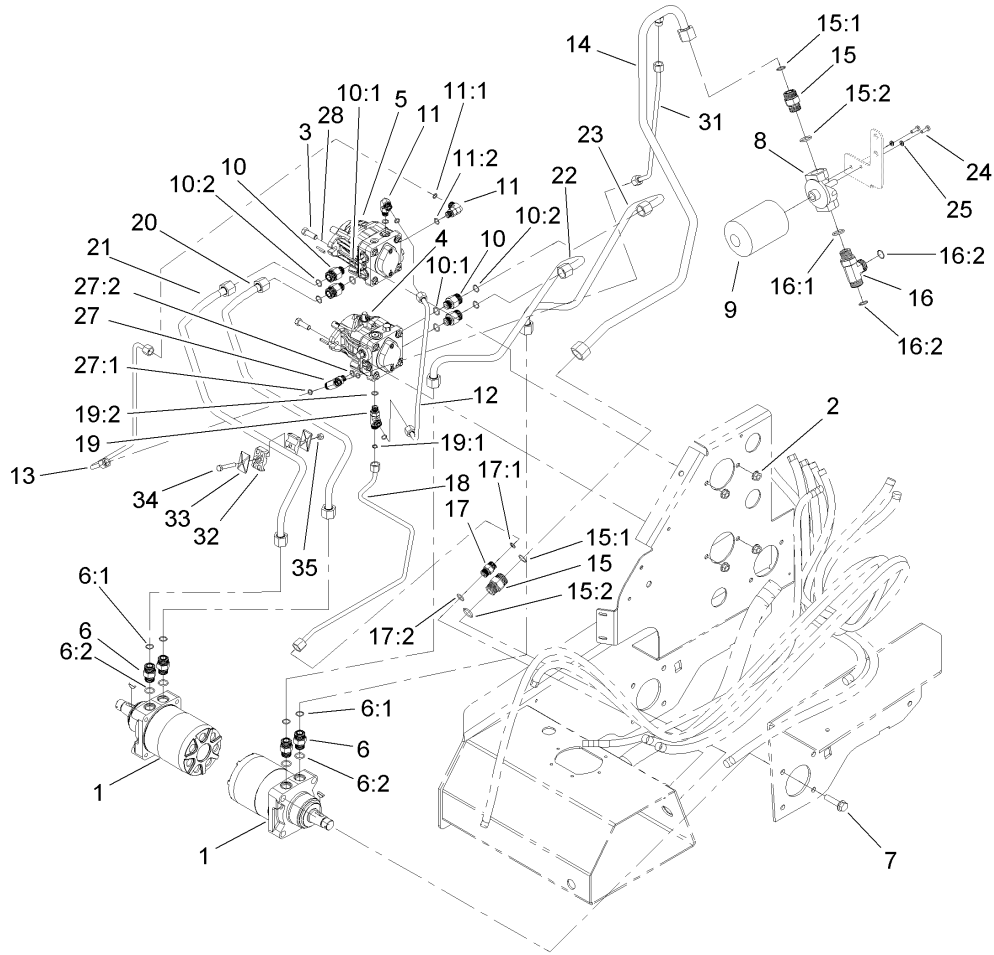


## Control Panel Assembly

Ref	Part No.	Qty.	Description
2	32144-44	2	Screw-HWH
3	3296-39	4	Nut-Lock, NI
4	323-6	4	Screw-HH
5	106-9508	1	Control Panel ASM
5:2	106-9450	1	Decal-Control Panel
6	106-7715	1	Reference Bar ASM
7	3234-18	1	Screw-HHF
8	106-7614-03	1	Handle-Control
9	106-9453	1	Decal-Traction
10	32128-43	1	Nut-Flange
11	3247-6	2	Screw-Set
12	3218-3	2	Nut-Jam
13	3296-39	2	Nut-Lock, NI
19	62-1330	2	Bolt-Shoulder
20	98-8424	1	Spring-Torsion, RH
21	105-1217	1	Decal
22	105-9031-03	1	Reverse Plate ASM
23	98-8425	1	Spring-Torsion, LH
30	100-4203	1	Neutral Centering Lever ASM
30:2	256-156	2	Bushing-Flange
31	66-0560	1	Bolt-Shoulder
32	3217-5	4	Nut-Hex
33	71-2870	2	Bolt-Eye
34	108-4724	1	Spring-Extension

Ref	Part No.	Qty.	Description
35	32149-7	2	Nut-Keps
36	3256-51	2	Washer-Flat
37	100-1270	1	Switch-Proximity
38	3229-20	2	Screw-CARR
39	100-1263	1	Plate-Switch
40	32149-2	2	Nut-Keps
41	3256-22	4	Washer-Flat
42	3229-1	2	Screw-CARR
43	3296-6	1	Nut-Lock
46	98-1459	1	Decal

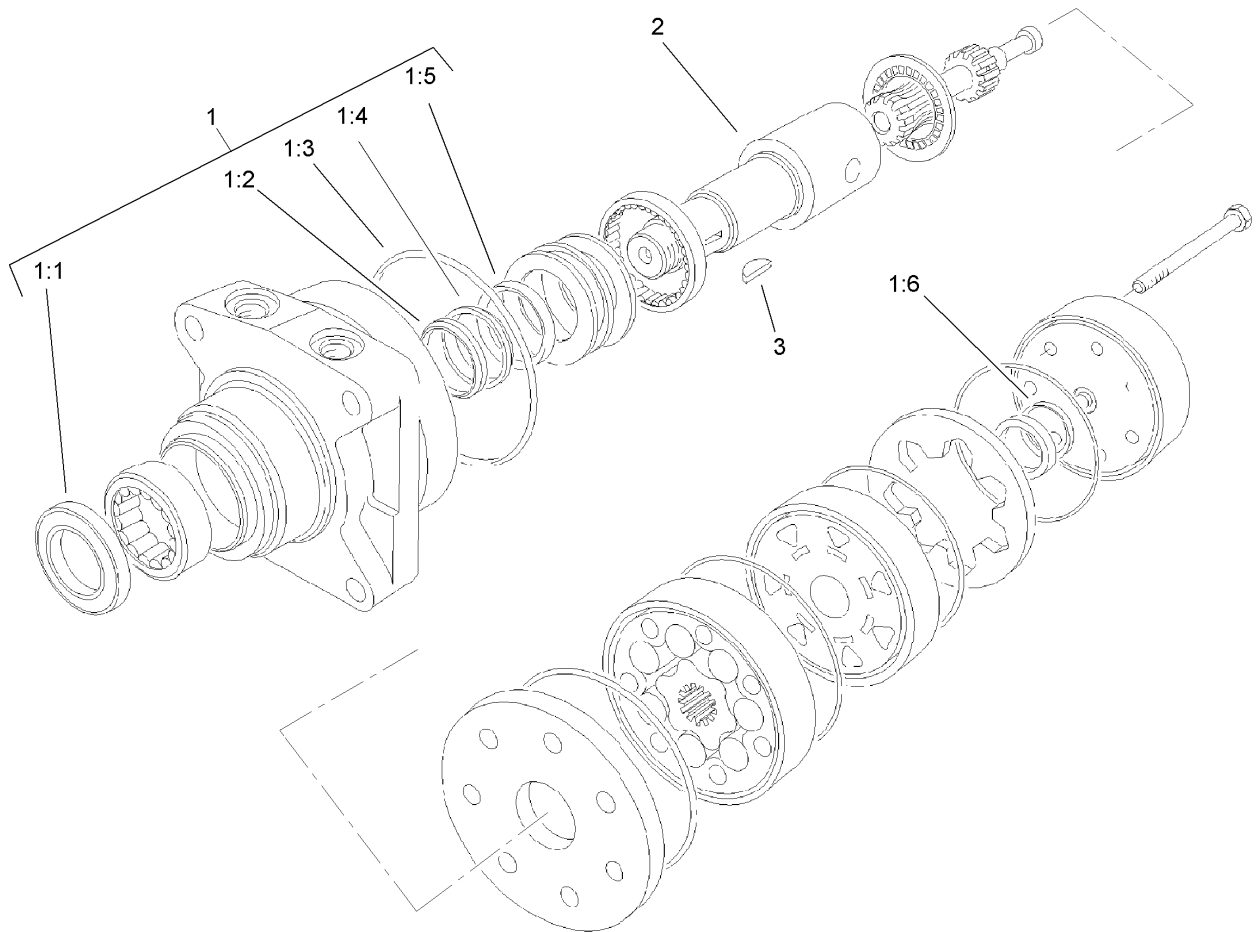




## Traction Hydraulic Assembly

Ref	Part No.	Qty.	Description
1	104-8470	2	Motor-Wheel, HYD
2	32128-42	4	Nut-HF
3	324-5	4	Screw-HH
4	106-9470	1	Pump-HYD
5	106-9471	1	Pump-HYD
6	340-7	4	Adapter
6:1	237-65	1	O-Ring
6:2	237-80	1	O-Ring
7	3234-27	8	Screw-Flange
8	92-5821	1	Filter Head ASM
9	54-0110	2	Filter-Oil, Transmission
10	340-155	4	Fitting-HYD, Straight
10:1	237-79	1	O-Ring
10:2	237-151	1	O-Ring
11	340-77	2	Fitting-HYD, 90 DEG
11:1	237-22	1	O-Ring
11:2	237-42	1	O-Ring
12	106-9445	1	HYD Tube ASM
13	106-9439	1	HYD Tube ASM
14	106-9442	1	HYD Tube ASM
15	340-9	2	Fitting-HYD, Straight
15:1	237-58	1	O-Ring
15:2	237-81	1	O-Ring
16	340-148	1	Fitting-Tee

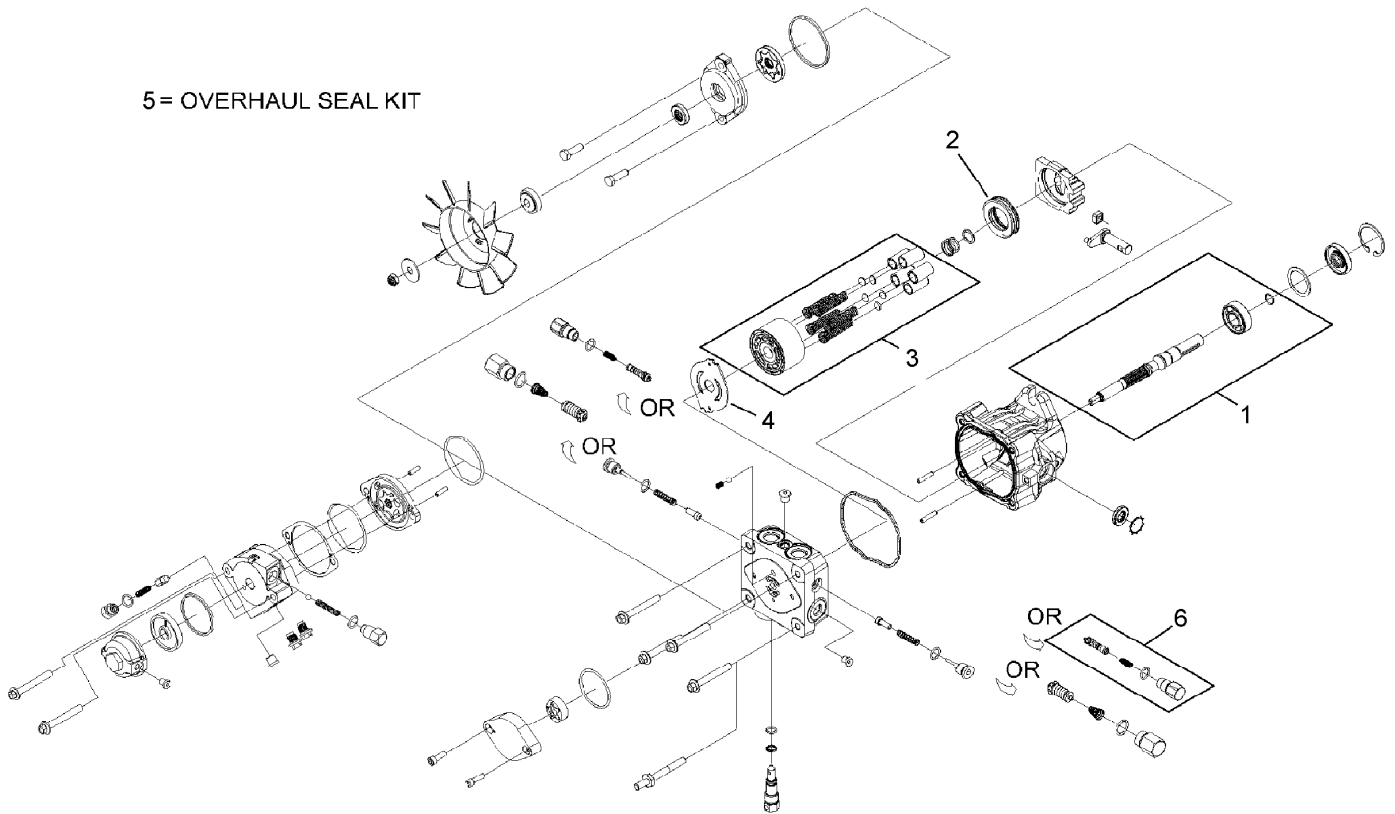
Ref	Part No.	Qty.	Description
16:1	237-81	1	O-Ring
16:2	237-58	2	O-Ring
17	340-4	1	Fitting-HYD, Straight
17:1	237-30	1	O-Ring
17:2	237-79	1	O-Ring
18	106-9440	1	HYD Tube ASM
19	340-86	1	Fitting-HYD, Tee
19:1	237-22	2	O-Ring
19:2	237-42	1	O-Ring
20	106-9429	1	HYD Tube ASM
21	106-9428	1	HYD Tube ASM
22	106-9423	1	HYD Tube ASM
23	106-9424	1	HYD Tube ASM
24	321-4	2	Screw-HH
25	3253-3	2	Washer-Lock
27	340-94	1	Adapter
27:1	237-22	2	O-Ring
27:2	237-42	1	O-Ring
28	80-6090	2	Key-Pump
31	106-9441	1	HYD Tube ASM
32	56-7971	2	Clamp-Tube
33	69-9760	2	Coverplate
34	322-10	1	Screw-HH
35	3296-29	1	Nut-Lock, NI



### Hydraulic Motor Assembly No. 104-8470

Ref	Part No.	Qty.	Description
1	100-6131	1	Seal Kit
② 1:1		1	Seal-Dirt And Water
② 1:2		1	Washer-Backup
② 1:3		5	Seal-Ring
② 1:4		1	Washer-Backup
② 1:5		1	Seal-Inner
② 1:6		1	Seal-Commutator
2	99-3090	1	Shaft-Coupling
3	3257-42	1	Key-Woodruff

5 = OVERHAUL SEAL KIT

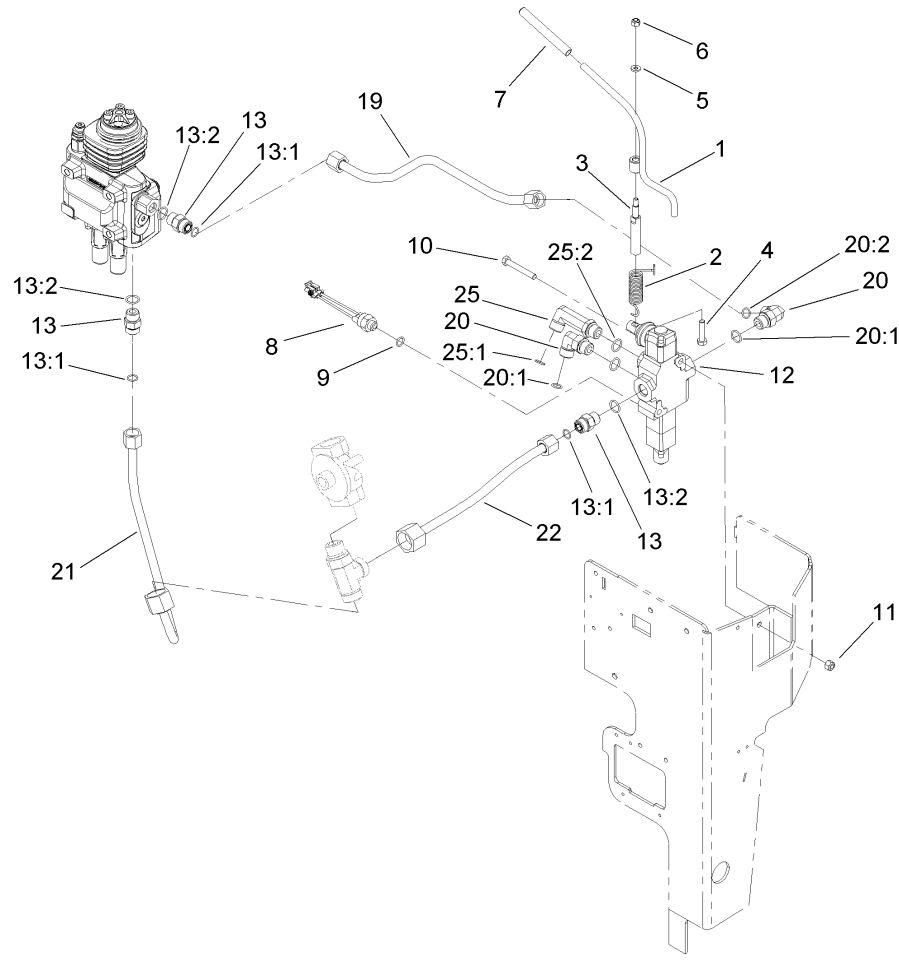


## Hydraulic Pump Assembly No. 106-9471

Ref	Part No.	Qty.	Description
1	103-2664	1	Input Shaft Kit
2	103-2665	1	Thrust Bearing Kit
3	103-2666	1	Cylinder Block Kit
4	105-6185	1	Plate-Valve
5	105-6184	1	Seal Kit
6	106-9498	1	Shock Valve Kit

--	--	--	--

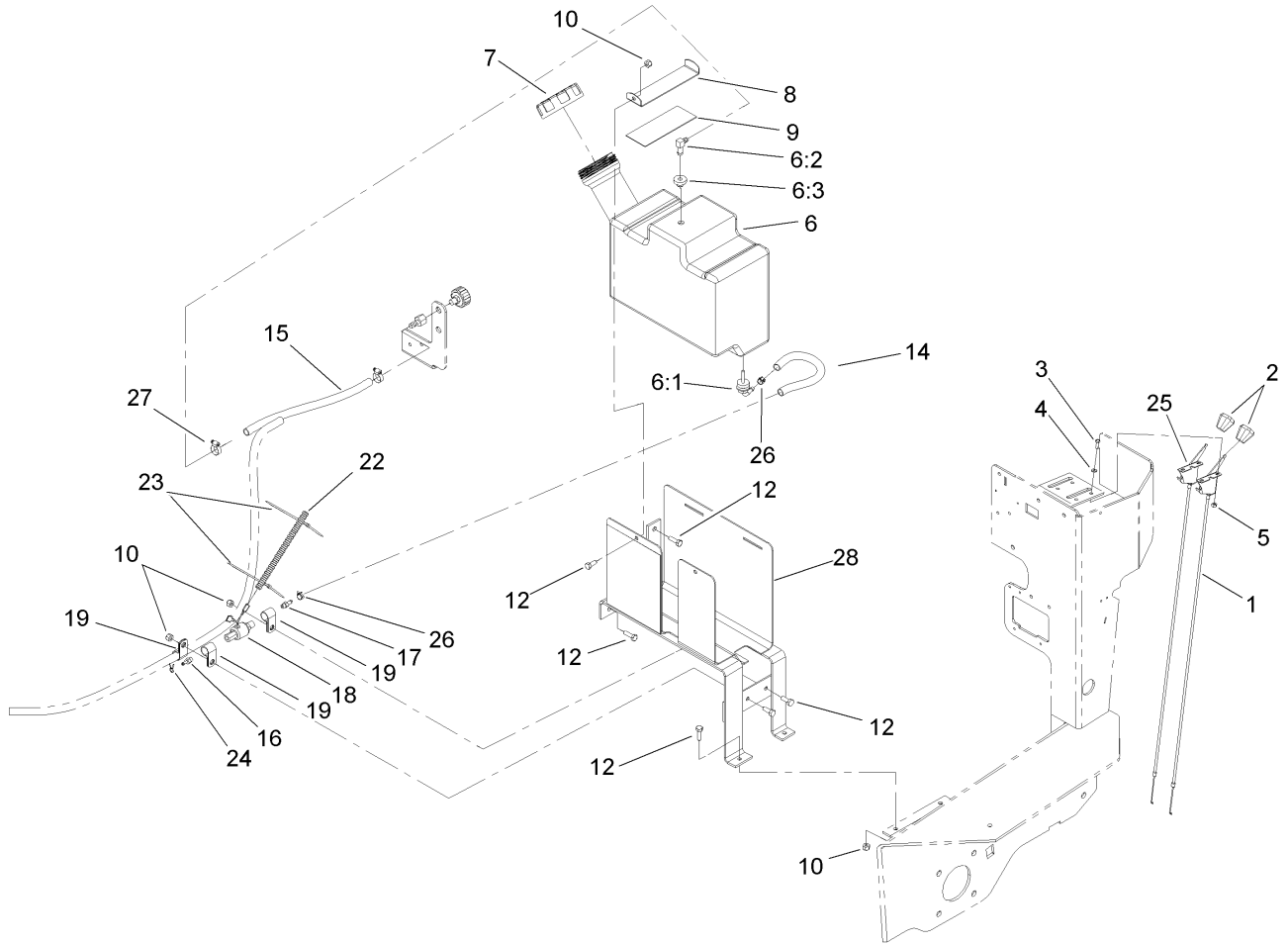




### Principle Hydraulic Assembly

Ref	Part No.	Qty.	Description
1	100-4246	1	Auxiliary Lever ASM
2	100-6129	1	Spring-Torsion
3	104-2827	1	Spacer-Hiflo
4	48-7740	1	Screw
5	3256-16	1	Washer-Flat
6	3296-42	1	Nut-Lock, NI
7	92-6798	1	Cap-Rod, Tilt
8	72-4310	1	Switch-Ball
9	237-42	1	O-Ring
10	322-11	2	Screw-HH
11	3296-29	2	Nut-Lock, NI
12	106-9405	1	Valve-1 Spool
13	340-4	3	Fitting-HYD, Straight
13:1	237-30	1	O-Ring
13:2	237-79	1	O-Ring
19	106-9437	1	HYD Tube ASM
20	340-98	2	Fitting-HYD, 90 DEG
20:1	237-79	1	O-Ring
20:2	237-30	1	O-Ring
21	106-9444	1	HYD Tube ASM
22	106-9443	1	HYD Tube ASM
25	99-6160	1	Fitting-Elbow, 90 DEG
25:1	237-30	1	O-Ring
25:2	237-79	1	O-Ring

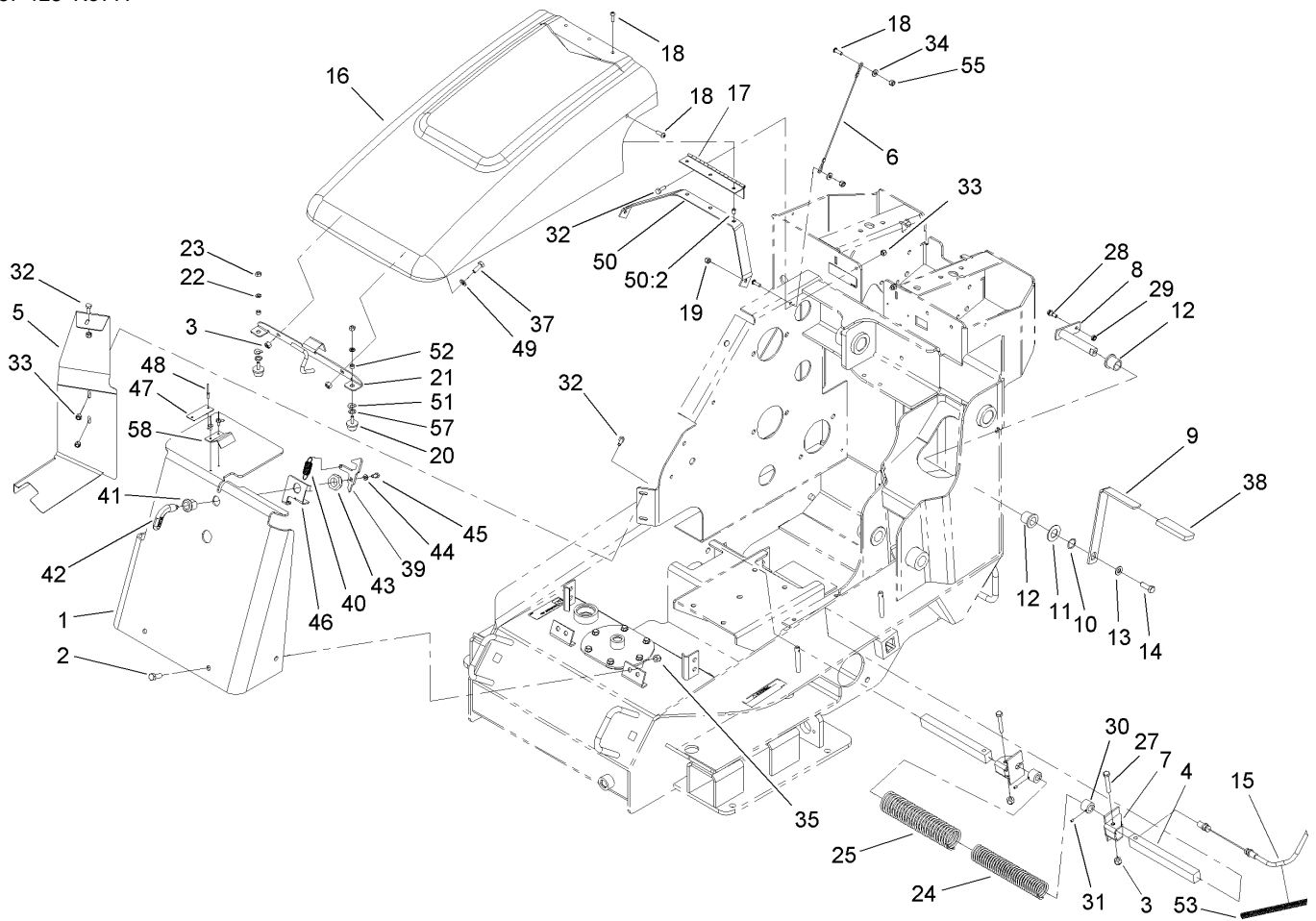


## Fuel Tank Assembly

Ref	Part No.	Qty.	Description
1	106-9435	1	Cable-Choke
2	66-0120	2	Knob
3	3290-134	4	Screw
4	3256-21	4	Washer-Flat
5	3296-2	4	Nut-Lock
6	106-9460	1	Fuel Tank ASM
6:1	103-2605	1	Fitting-Fuel, Bulkhead
6:2	1-643259	1	Fitting-Elbow
6:3	46-6560	1	Bushing
7	95-4192	1	Unleaded Gas Cap ASM
8	106-9457-03	2	Strap-Tank
9	106-9488	2	Felt-Strap
10	3296-29	8	Nut-Lock, NI
12	322-5	8	Screw-HH
14	109-0297	1	Hose-Fuel
15	110-4110	1	Hose-Fuel
16	354-22	1	Fitting-Barb
17	304-73	1	Connector-Hose
18	106-9528	1	Valve-Shutoff, Fuel
19	2412-81	3	Clamp-R
22	106-9504	1	Cover-Brace
23	3290-381	2	Tie-Cable
24	2412-79	1	Clamp-Hose
25	106-9434	1	Cable-Throttle

Ref	Part No.	Qty.	Description
26	2412-98	3	Clamp
27	2412-36	1	Clamp-Hose
28	106-9486	1	Tank Bracket ASM

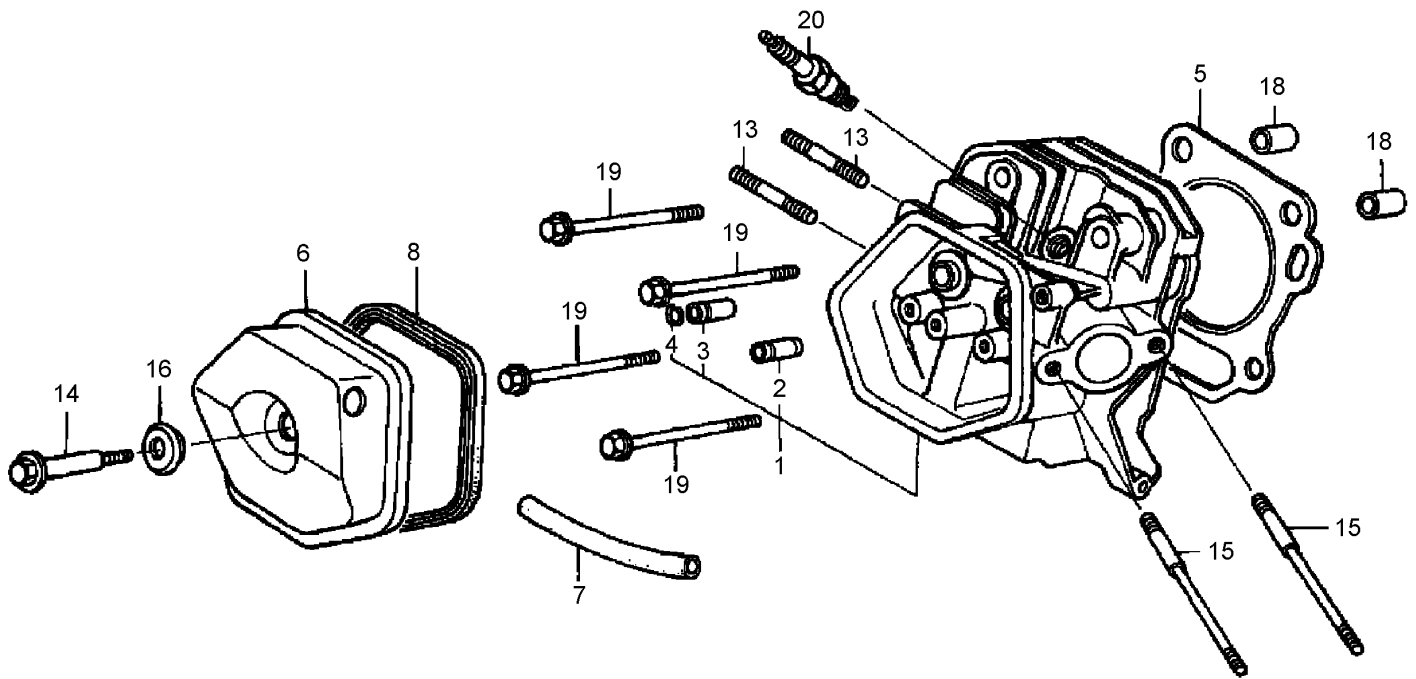


## Hood and Brake Assembly

Ref	Part No.	Qty.	Description
1	105-9038-03	1	Grille
2	323-6	4	Screw-HH
3	3296-29	5	Nut-Lock, NI
4	106-9413-03	2	Bar-Brake
5	105-9144-03	1	Deflector-Exhaust
6	106-9418	1	Lanyard
7	106-9412-03	2	Bracket-Cable
8	106-9430	1	Brake Shaft ASM
9	105-9140-03	1	Handle-Brake
10	106-5335	1	Washer-Wave
11	3256-39	2	Washer-Flat
12	256-117	2	Bushing
13	3256-4	1	Washer-Flat
14	323-18	1	Screw-HH
15	106-9433	1	Cable-Brake
16	106-9420	1	Hood ASM
17	106-9408	1	Hinge-Hood
18	106-9518	6	Screw-PRH
19	3296-42	2	Nut-Lock, NI
20	1-523420	2	Bumper
21	106-9497-03	1	Rod Latch ASM
22	3253-3	2	Washer-Lock
23	3217-5	2	Nut-Hex
24	105-7055	1	Spring-Brake

Ref	Part No.	Qty.	Description
25	105-7054	1	Spring-Brake
27	322-10	2	Screw-HH
28	42-3560	1	Bolt-Shoulder
29	3296-56	1	Nut-Lock, NI
30	100-6274	2	Tube-Guide
31	3245-20	2	Screw-HSH
32	321-4	6	Screw-HH
33	3296-42	4	Nut-Lock, NI
34	3256-78	2	Washer-Flat
35	3296-39	4	Nut-Lock, NI
37	322-4	3	Screw-HH
38	62-9130	1	Grip-Handle
39	106-5728	1	Cam-Latch
40	104-0869	1	Spring-Brake
41	106-9335	1	Housing-Latch
42	108-5639	1	Handle-Latch
43	3296-60	1	Nut-Lock, NI
44	3253-3	1	Washer-Lock
45	321-2	1	Screw-HH
46	106-5729-03	1	Bracket-Latch
47	80-9350	1	Plate-Hot Surface
48	3269-13	4	Rivet-Pop
49	3256-23	3	Washer-Flat
50	106-9519	1	Support-Hood

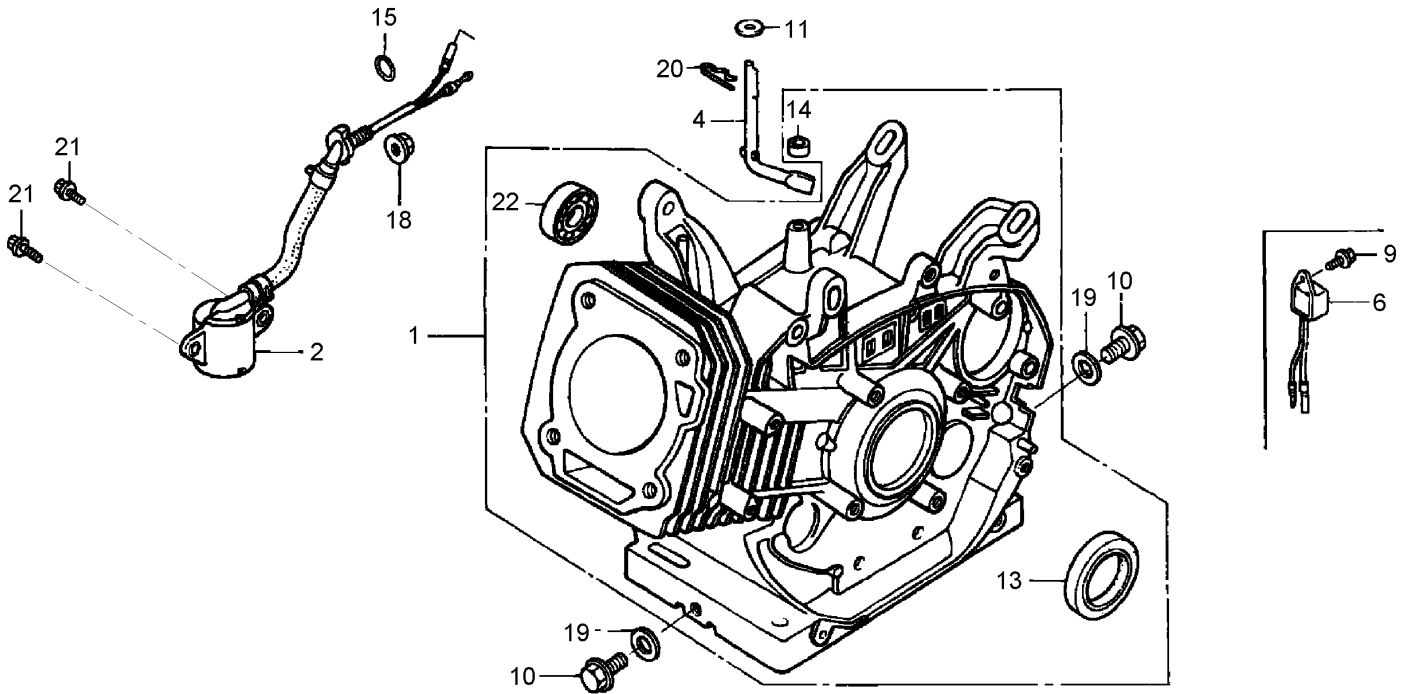




## Cylinder Head Assembly Honda GX390K1QNE2

Ref	Part No.	Qty.	Description
❶	12200-ZF6-406	1	Cylinder Head
❷	12204-ZE2-306	1	Guide-Valve
❸	12205-ZE2-305	1	Guide-Valve, Exhaust
❹	12216-ZE2-300	1	Clip-Guide, Valve
❺	12251-ZF6-W00	1	Gasket-Cylinder Head
❻	12310-ZE2-020	1	Cover-Head
❼	95005-11001-30M	1	Bulk Hose-Vacuum
❸	12391-ZE2-020	1	Gasket-Cylinder Head Cover
❶	92900-08032-0E	2	Bolt 2-Stud
❶	90014-ZE2-000	1	Bolt-Head Cover
❶	90042-ZE8-000	2	Bolt-Stud
❶	90441-ZE2-010	1	Washer-Head Cover
❶	94301-12200	2	Pin A-Dowel
❶	95701-10080-00	4	Bolt-Flange

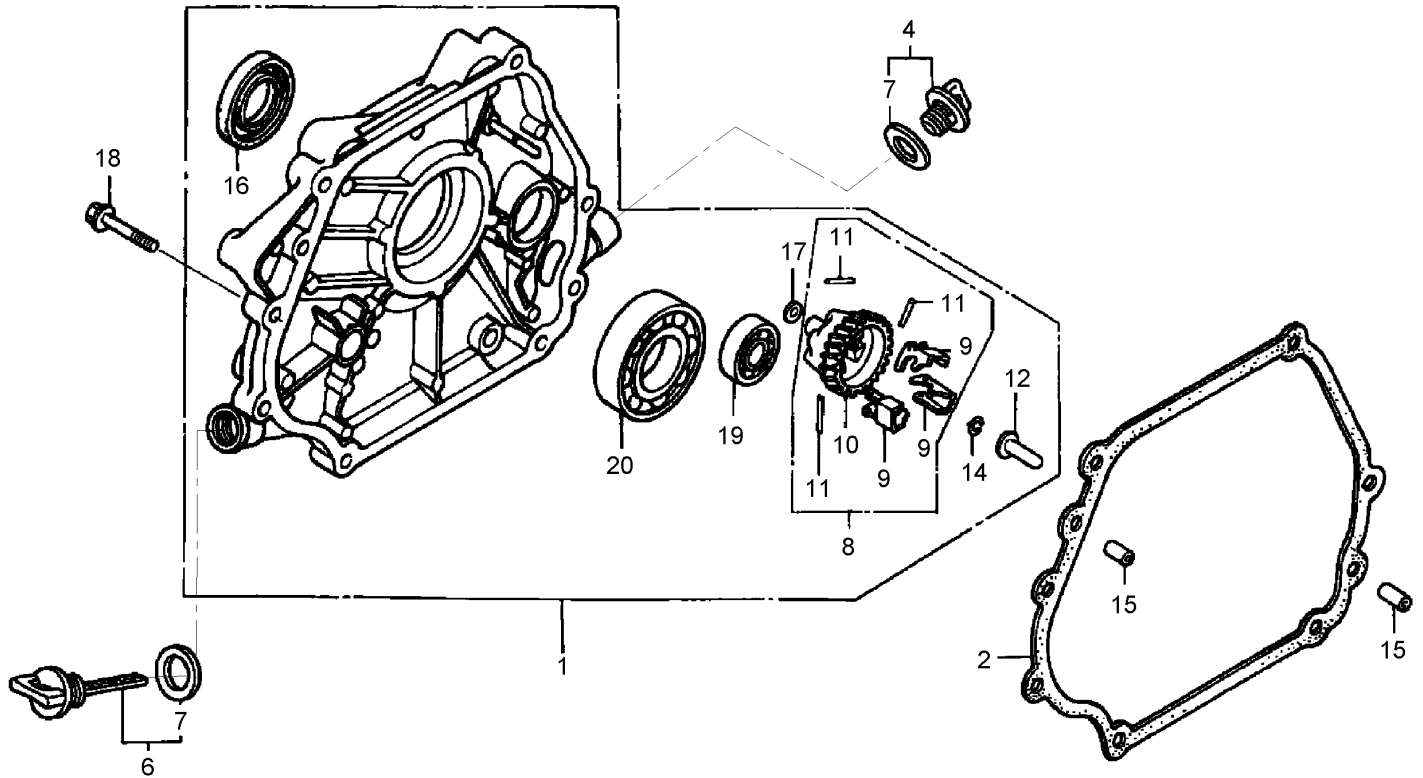
Ref	Part No.	Qty.	Description
❶	98079-55846	1	Spark Plug (B P R 5E S) (N G K)
❶	98079-55855	1	Spark Plug (W16E P R-U) (Denso)
❶	98079-56846	1	Spark Plug (B P R 6E S) (N G K)



## Cylinder Barrel Assembly Honda GX390K1QNE2

Ref	Part No.	Qty.	Description
1	12000-ZF6-425	1	Cylinder ASM
2	15510-ZE2-043	1	Switch ASM-Oil Level
4	16541-ZE3-010	1	Shaft-Governor Arm
6	34150-ZH7-003	1	Alert Unit-Oil
9	90013-883-000	1	Bolt-Flange (6X12) (C T200)
10	90131-883-000	2	Bolt-Drain Plug
10	90131-896-650	2	Bolt-Drain Plug
11	90446-KE1-000	1	Washer
13	91201-ZE3-004	1	Seal-Oil (35X5X8)
14	91201-ZE9-003	1	Seal-Oil
14	91203-952-771	1	Seal-Oil
15	91353-671-003	1	O-Ring
18	94050-10000	1	Nut-Flange
19	94109-12000	2	Washer-Drain Plug
20	94251-10000	1	Pin-Lock

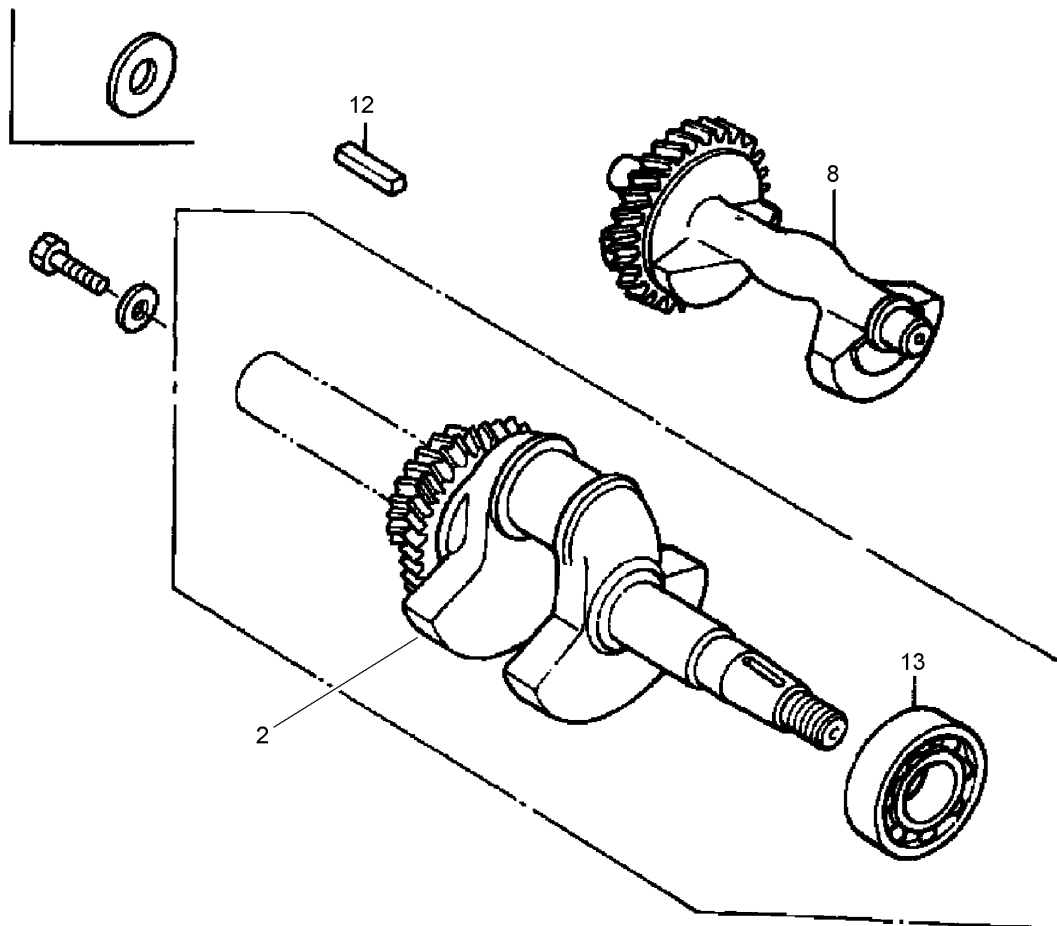
Ref	Part No.	Qty.	Description
21	95701-06012-00	2	Bolt-Flange (6X12)
22	96100-62020-00	1	Bearing-Radial Ball



## Crankcase Cover Assembly Honda GX390K1QNE2

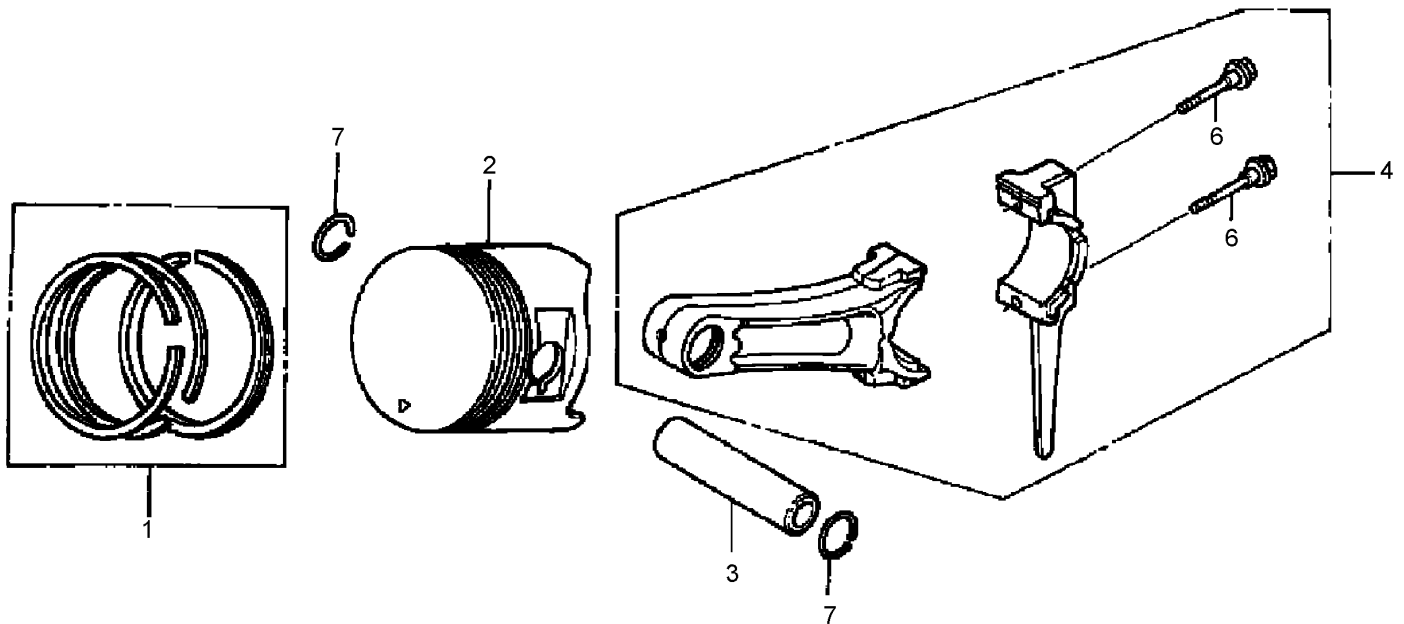
Ref	Part No.	Qty.	Description
❶	11300-ZE3-604	1	Cover ASM-Crankcase
❷	11381-ZE3-801	1	Gasket-Case Cover
❹	15600-ZG4-003	1	Cap ASM-Oil Filler
❻	15600-735-003	1	Cap ASM-Oil Filler
❼	15625-ZE1-003	2	Gasket-Cap, Oil Filler
❸	16510-ZE3-000	1	Governor ASM
❹	16511-ZE8-000	3	Weight-Governor
❺	16512-ZE3-000	1	Holder-Governor Weight
❻	16513-ZE2-000	3	Pin-Weight, Governor
❼	16531-Z0A-000	1	Slider-Governor
❻	90602-ZE1-000	1	Clip-Holder, Governor
❻	90701-HC4-000	2	Pin-Dowel
❻	91201-ZE3-004	1	Seal-Oil (35X5X8)
❻	94101-06800	1	Washer-Plain (6Mm)

Ref	Part No.	Qty.	Description
❻	95701-08040-00	7	Bolt-Flange (8X40)
❻	96100-62020-00	1	Bearing-Radial Ball
❻	96100-62070-00	1	Bearing-Ball, Radial



## Crankshaft Assembly Honda GX390K1QNE2

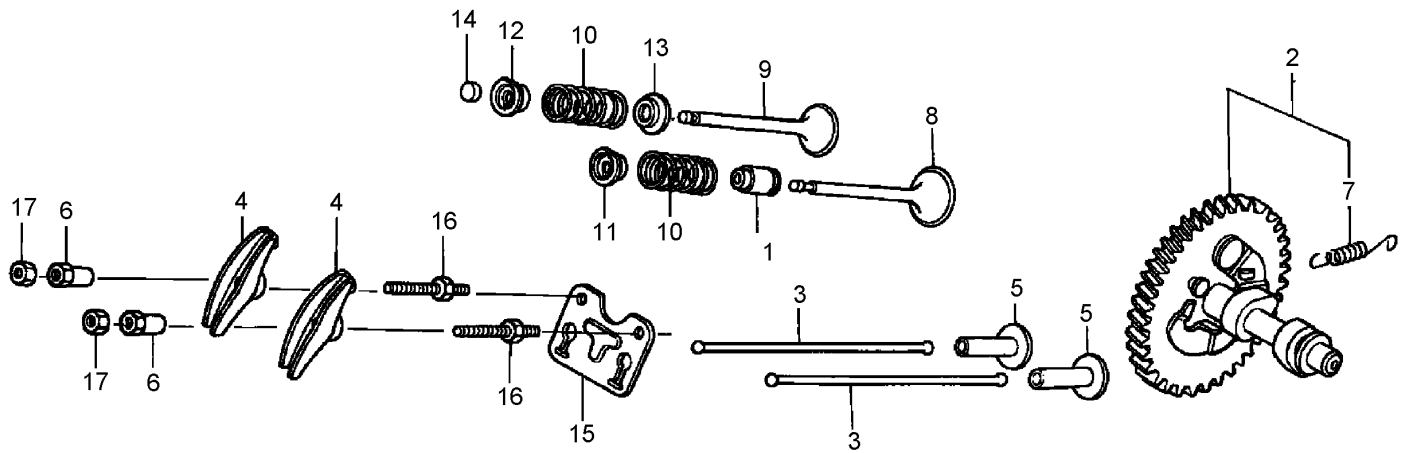
Ref	Part No.	Qty.	Description				
2	13310-ZF6-W10	1	Crankshaft (Q-Type)				
8	13351-ZE3-010	1	Weight-Balancer				
12	90745-ZE2-600	1	Key				
13	91001-ZF6-003	1	Bearing-Radial Ball (6207S)				



## Piston Assembly Honda GX390K1QNE2

Ref	Part No.	Qty.	Description
●1	13010-ZF6-003	1	Ring Set, Piston (STD)
●1	13011-ZF6-003	1	Ring Set, Piston (Os 0.25)
●1	13012-ZF6-003	1	Ring Set, Piston (Os 0.50)
●1	13012-ZF6-005	1	Ring Set, Piston (Os 0.50)
●1	13013-ZF6-003	1	Ring Set, Piston (0.75) (Nippon)
●2	13101-ZF6-W00	1	Piston (STD)
●2	13102-ZF6-W00	1	Piston (Os 0.25)
●2	13103-ZF6-W00	1	Piston (Os 0.50)
●2	13104-ZF6-W00	1	Piston (0.75)
●3	13111-ZF6-W00	1	Pin, Piston
●4	13200-ZE3-020	1	Rod ASM-Connecting (STD)
●4	13200-ZE3-315	1	Rod ASM-Connecting (Us 0.25)
●6	90001-ZE8-000	2	Bolt-Rod, Connecting

Ref	Part No.	Qty.	Description
●7	90601-ZE3-000	2	Clip-Pin, Piston (20Mm)

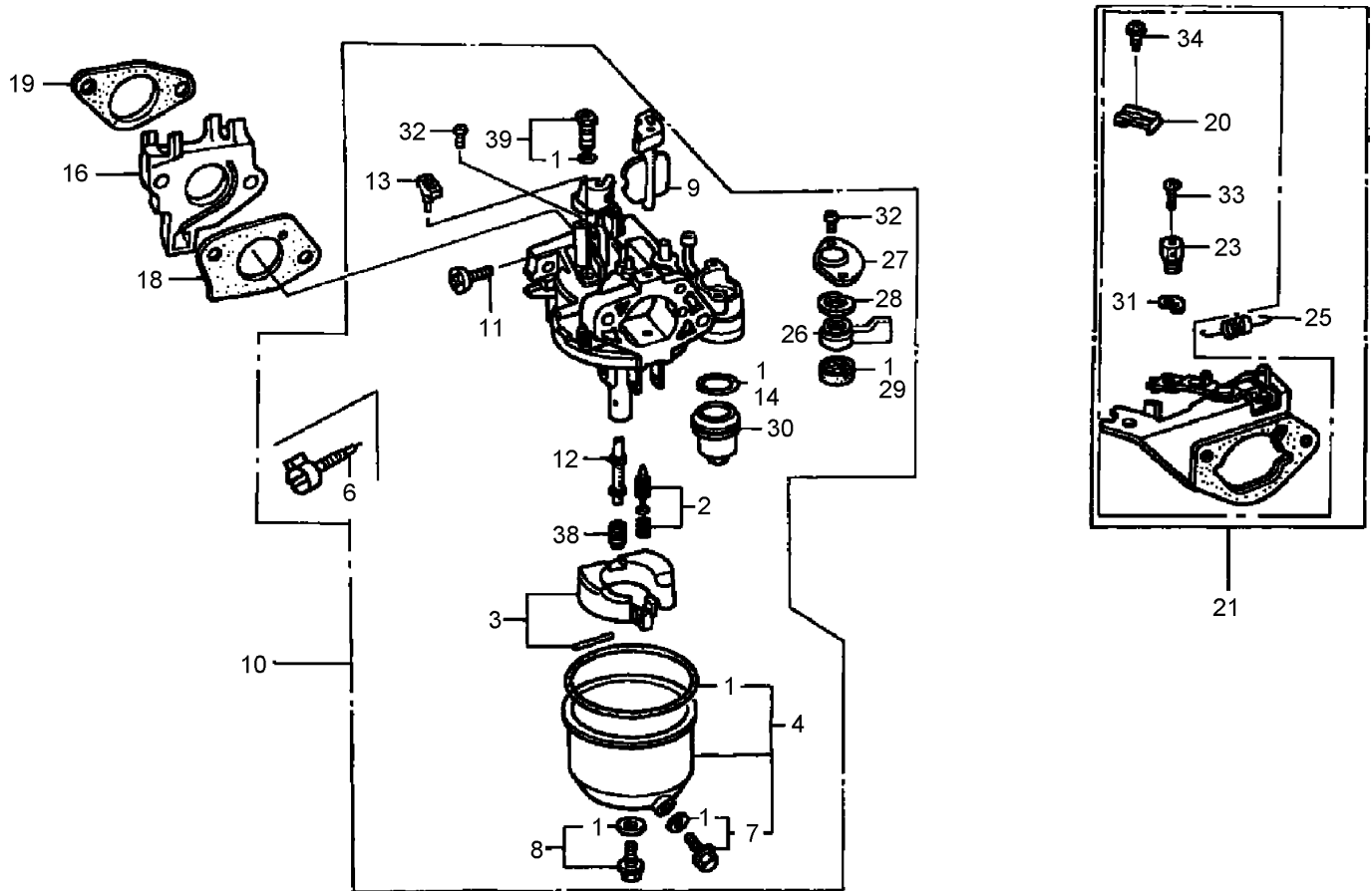


## Camshaft Assembly Honda GX390K1QNE2

Ref	Part No.	Qty.	Description
❶	12209-ZE8-003	1	Seal-Stem, Valve
❷	14100-ZF6-W01	1	Camshaft ASM
❸	14410-ZE3-013	2	Rod, Push
❹	14431-ZE2-010	2	Arm-Rocker, Valve
❺	14441-ZE2-000	2	Lifter-Valve
❻	14451-ZE1-013	2	Pivot-Arm, Rocker
❼	14568-ZE1-000	1	Spring-Return, Weight
❽	14711-ZE3-000	1	Valve-Intake
❾	14721-ZE3-000	1	Valve-Exhaust
❿	14751-ZE2-003	2	Spring-Valve
⓫	14771-ZE2-000	1	Retainer-Valve, Intake
⓬	14773-ZE2-000	1	Retainer-Valve, Exhaust
⓭	14775-ZE2-010	1	Seat-Spring, Valve

Ref	Part No.	Qty.	Description
⓮	14781-ZE2-000	1	Rotator-Valve
⓯	14791-ZE2-010	1	Plate-Push Rod
⓰	90012-ZE0-010	2	Bolt-Pivot (8 Mm)
⓱	90206-ZE1-000	2	Nut-Adjusting, Pivot

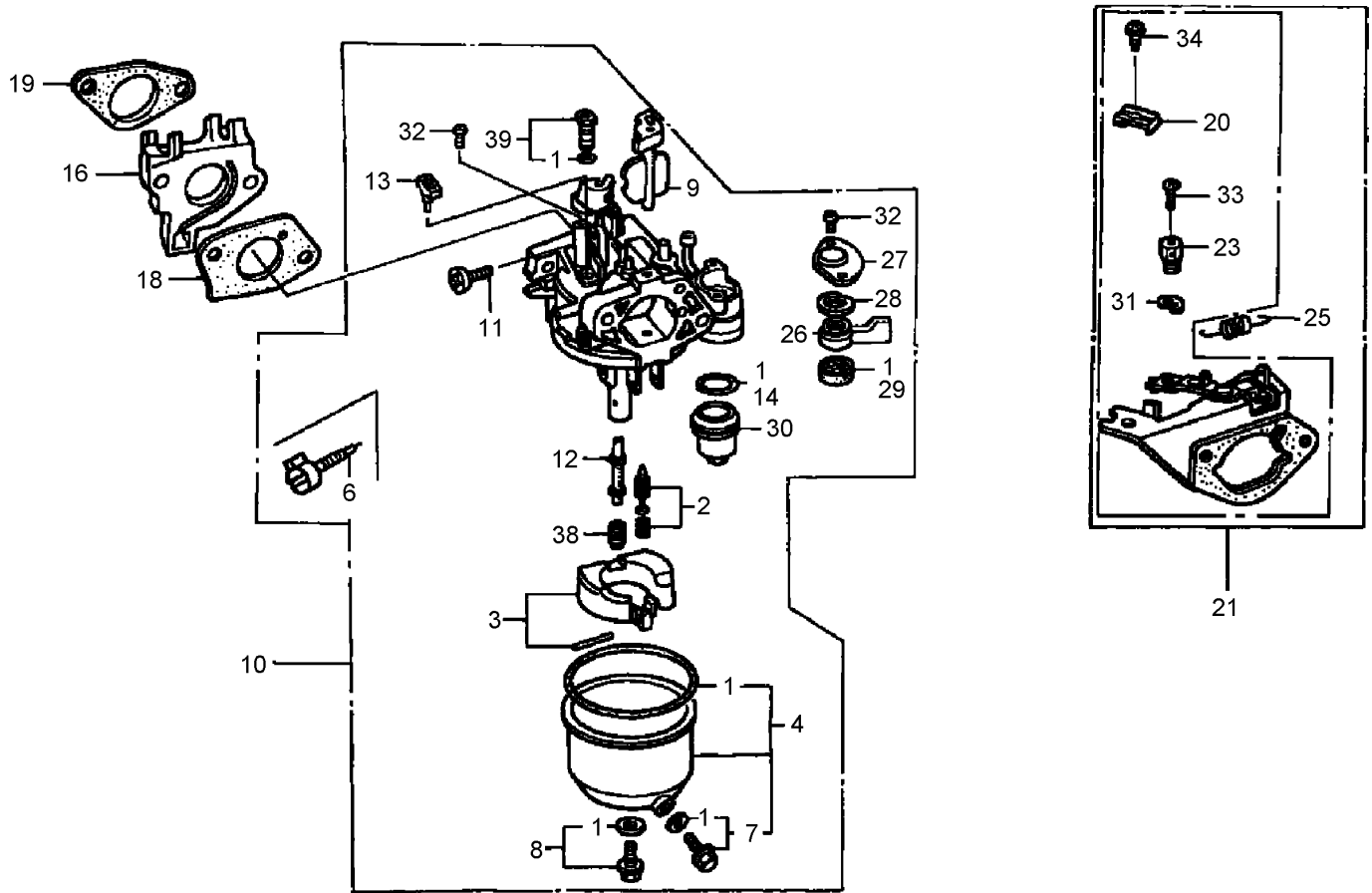




## Carburetor Assembly Honda GX390K1QNE2

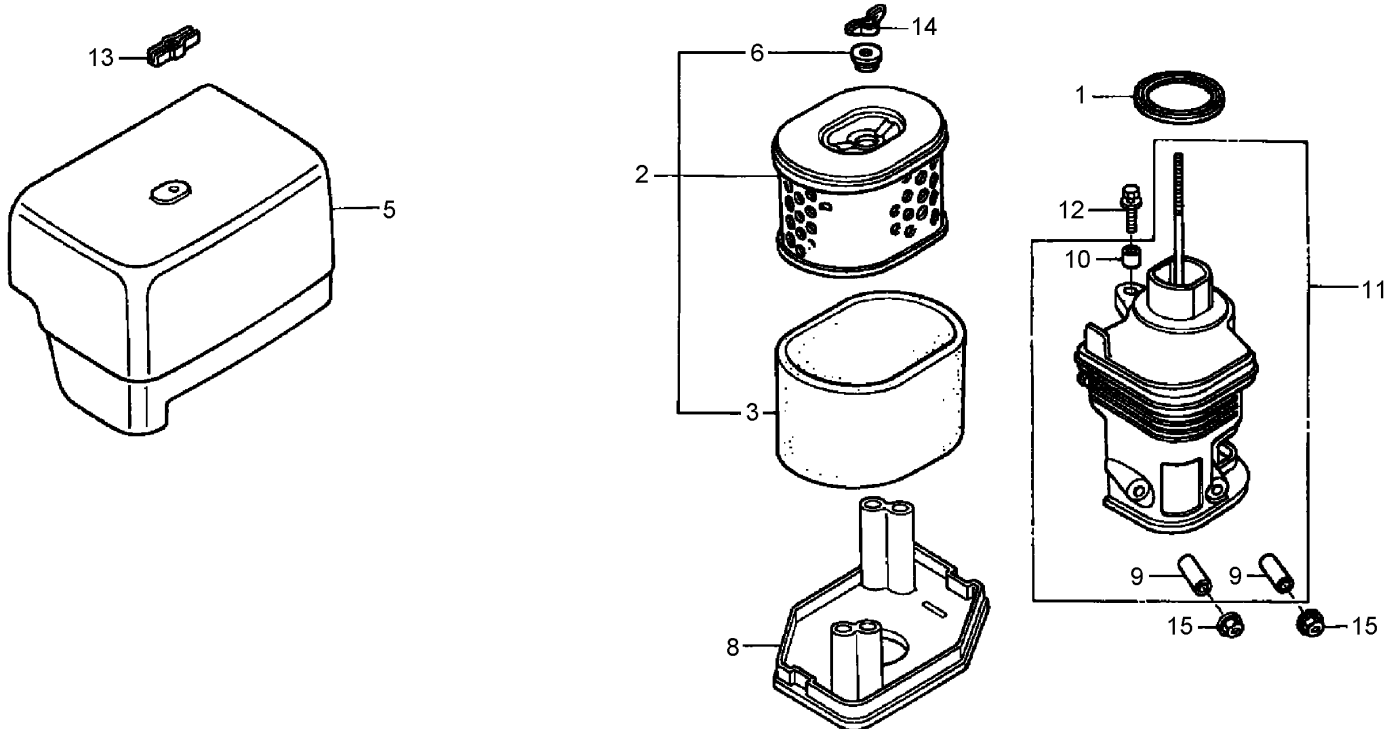
Ref	Part No.	Qty.	Description
❶	16010-ZE2-812	1	Gasket Set
❷	16011-ZA0-931	1	Valve Set-Float
❸	16013-ZA0-931	1	Float Set
❹	16015-ZE8-005	1	Chamber Set-Float
❻	16016-ZH7-W01	1	Pilot Screw Set
❼	16024-ZE1-811	1	Drain Screw Set
❽	16028-ZE0-005	1	Screw Set
❾	16044-ZE3-W20	1	Choke Set
❿	16100-ZF6-V01	1	Carburetor ASM (Be85B)
⓫	16124-ZE0-005	1	Screw- Stop, Throttle
⓬	16166-ZF6-V00	1	Nozzle-Main
⓭	16172-ZE3-W10	1	Collar-Set
⓮	16173-001-004	1	Gasket-Fuel Strainer

Ref	Part No.	Qty.	Description
⓯	16211-ZF6-000	1	Insulator-Carburetor
⓰	16221-ZF6-800	1	Gasket-Carburetor
⓱	16223-ZE3-W00	1	Gasket-Insulator
⓲	16576-891-000	1	Holder-Cable
⓳	16590-ZE2-812	1	Stay ASM-Choke (Remote)
⓴	16594-883-010	1	Holder-Wire
⓵	16615-ZE2-810	1	Spring-Return
⓶	16953-ZE1-812	1	Lever-Petcock
⓷	16954-ZE1-812	1	Plate-Setting, Lever
⓸	16956-ZE1-811	1	Spring-Lever, Petcock
⓹	16957-ZE1-812	1	Gasket-Petcock
⓺	16967-ZE0-811	1	Cup-Fuel Strainer
⓻	90605-230-000	1	Circlip (5Mm)



## Carburetor Assembly Honda GX390K1QNE2 (continued)

Ref	Part No.	Qty.	Description
32	93500-03006-	2	Screw-Pan (3X6)
33	93500-04006-	1	Screw-Pan (4X6)
34	93893-05016-	1	Screw-Washer
38	99101-ZH8-0880	1	Jet-Main (No. 88)
38	99101-ZH8-0900	1	Jet-Main (No. 90)
38	99101-ZH8-0920	1	Jet-Main (No. 92)
39	99204-ZA0-0450	1	Jet Set, Pilot (#45)

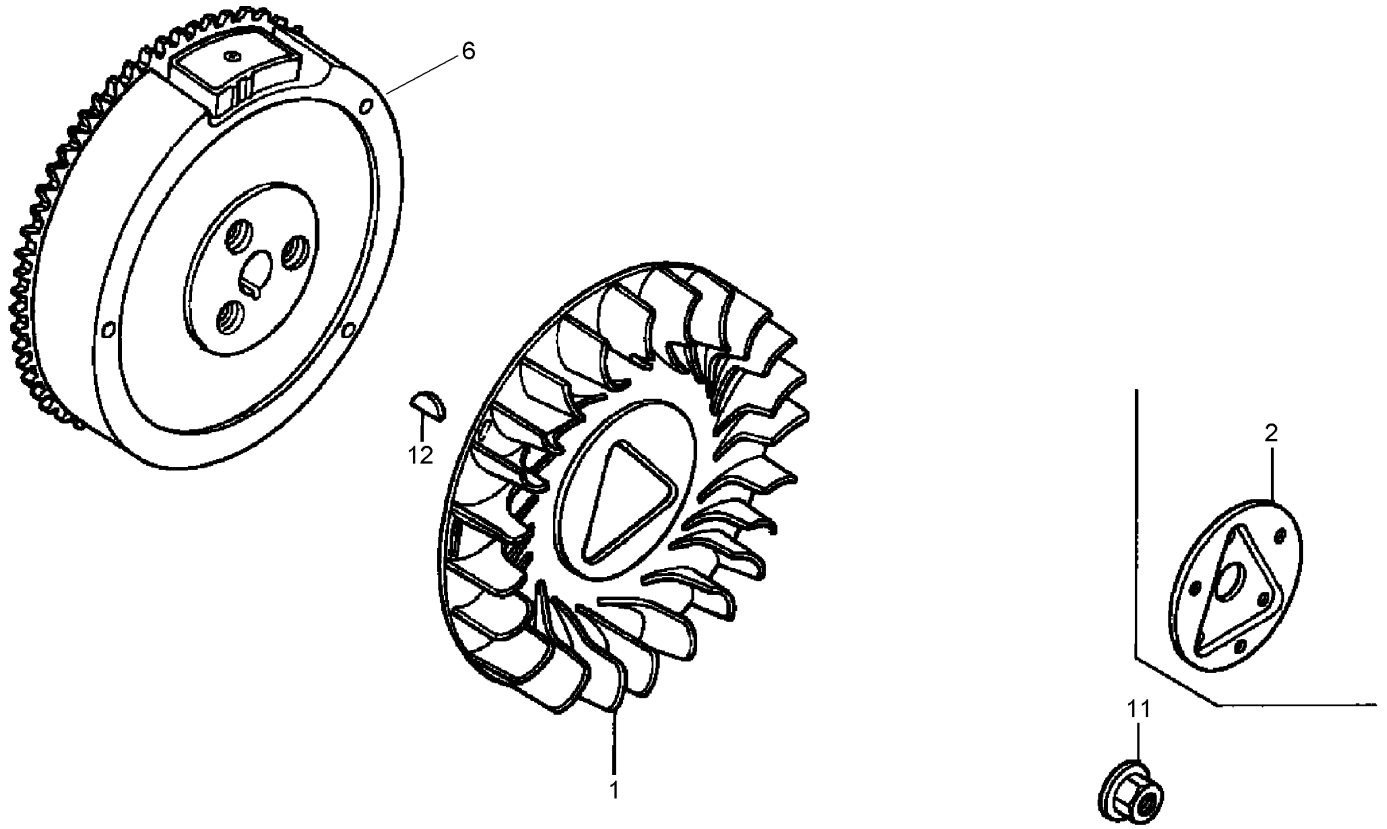


## Air Cleaner Assembly Honda GX390K1QNE2

Ref	Part No.	Qty.	Description
❶	16271-ZE2-010	1	Gasket-Elbow
❷	17210-ZE3-505	1	Element-Air Cleaner
❸	17218-ZE3-000	1	Filter (Outer)
❺	17231-ZE3-W01	1	Cover-Air Cleaner
❻	17232-891-000	1	Grommet-Cleaner, Air
❸	17235-ZH9-N00	1	Nose-Muffler
❹	17238-ZE2-310	2	Collar-Air Cleaner
❷	17239-ZE1-000	1	Collar B-Air Cleaner
❹	17410-ZH9-N00	1	Elbow-Air Cleaner
❷	90009-ZE2-003	1	Bolt-Washer (6X22)
❷	90203-ZA0-800	1	Wingnut (6Mm)
❷	90325-044-000	1	Wingnut
❷	94050-06000	2	Nut-Flange (6 Mm)

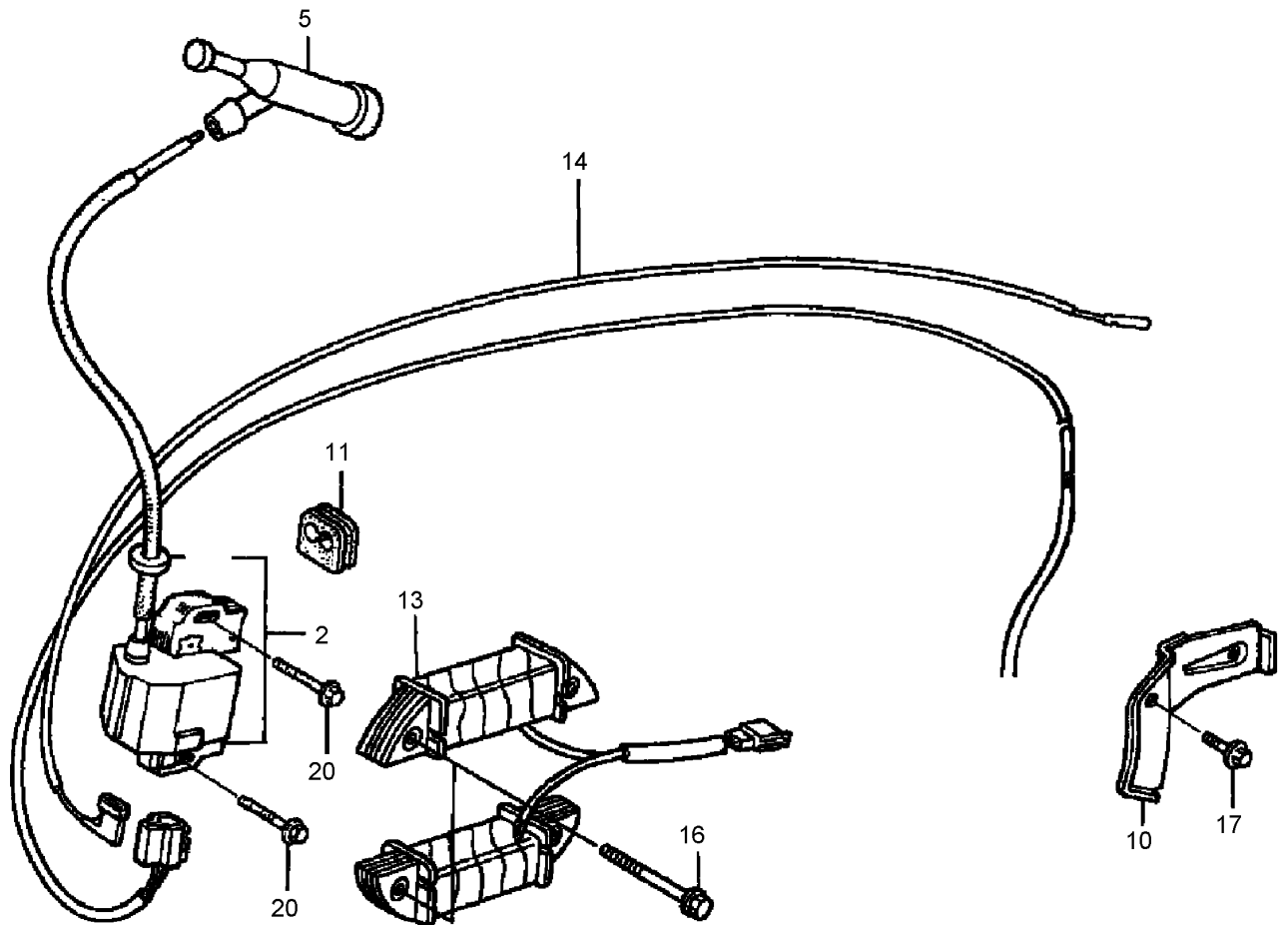
--	--	--	--





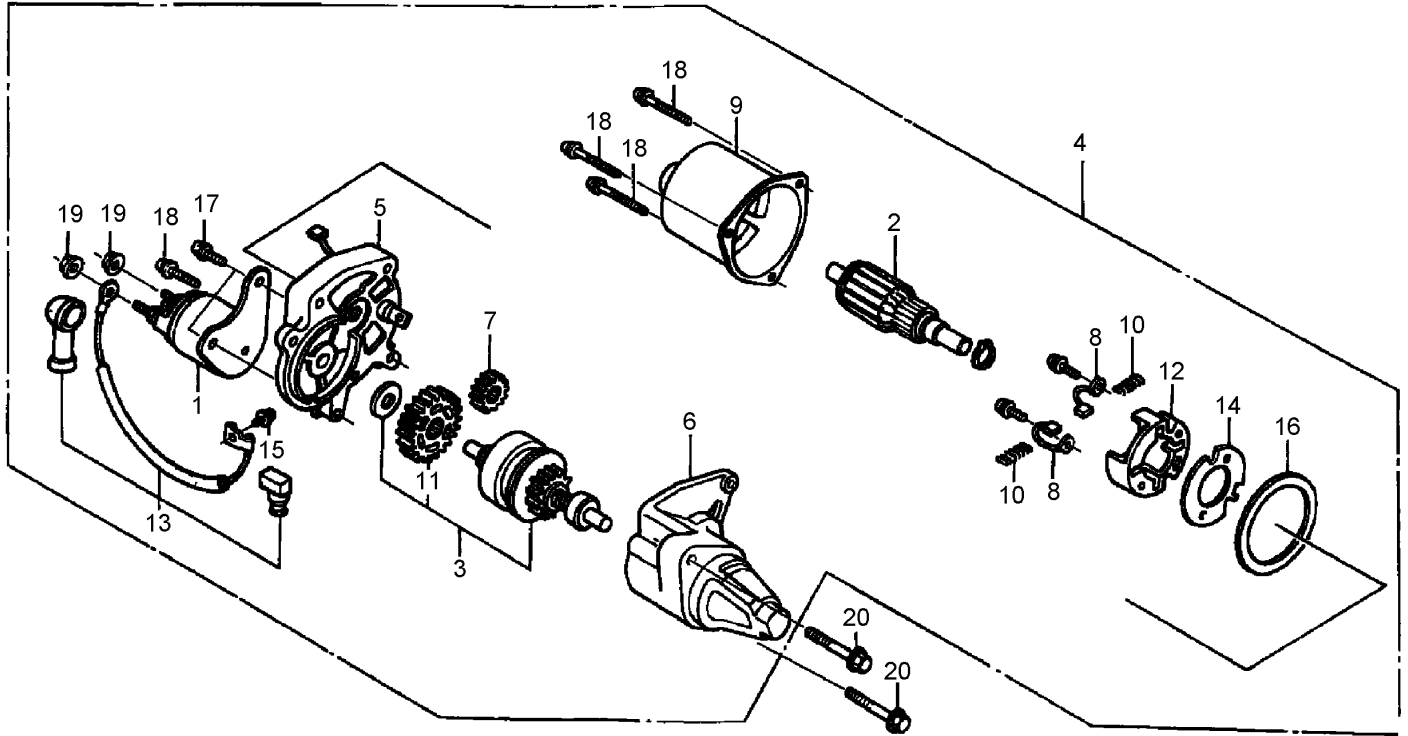
## Flywheel Assembly Honda GX390K1QNE2

Ref	Part No.	Qty.	Description				
1	19511-ZE3-000	1	Fan-Cooling				
2	19512-ZE2-000	1	Plate-Cooling Fan Setting				
6	31100-ZE3-W01	1	Flywheel (4 Pole)				
11	90201-ZE3-V00	1	Nut (16Mm)				
12	90741-ZE2-000	1	Key-Woodruff, Special (25X18)				



## Ignition Coil Assembly Honda GX390K1QNE2

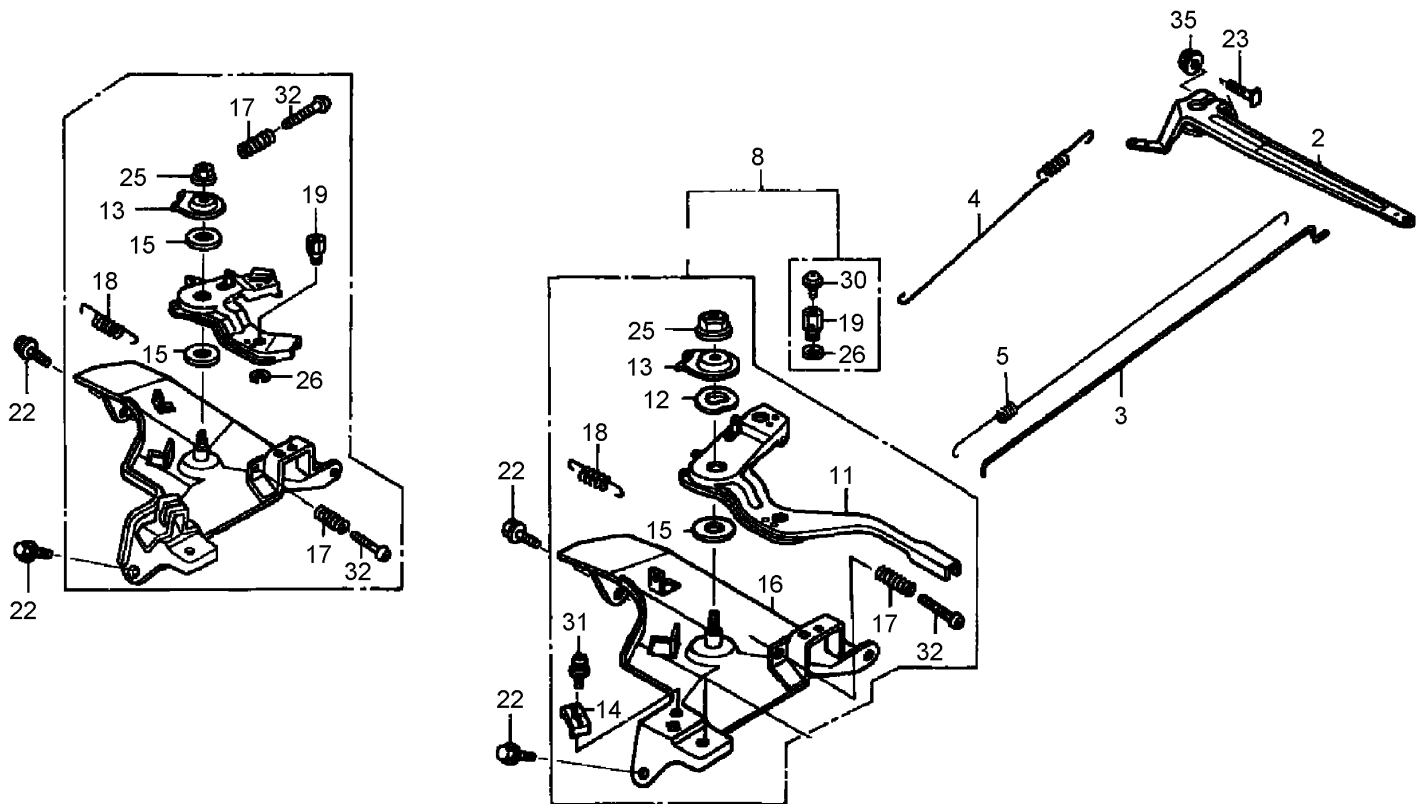
Ref	Part No.	Qty.	Description				
2	30500-ZF6-W02	1	Coil ASM-Ignition				
5	30700-ZE1-013	1	Cap ASM- Noise Suppressor				
10	31511-ZE3-000	1	Clamp-Wire				
11	31512-ZE2-000	1	Grommet-Wire				
13	31630-ZE2-861	1	Coil ASM-Charge (10A)				
14	36101-ZE2-701	1	Wire-Stop Switch (430Mm)				
16	90012-888-000	4	Bolt-Flange (6X40)				
17	90013-883-000	1	Bolt-Flange (6X12) (C T200)				
20	90015-883-000	2	Bolt-Flange (6X28)				



## Starter Motor Assembly Honda GX390K1QNE2

Ref	Part No.	Qty.	Description
❶	31204-ZA0-003	1	Contactorm ASM
❷	31206-ZE3-003	1	Armature
❸	31207-ZE3-003	1	Clutch-Overrunning
❹	31210-ZE3-013	1	Motor Unit-Starter
❺	31211-ZE2-003	1	Bracket-Center
❻	31212-ZE3-003	1	Bracket-Fr
❼	31213-ZE2-003	1	Gear-Drive Pinion
❽	31215-ZE2-003	2	Brush
❾	31218-ZE3-003	1	Yoke
❿	31219-ZE2-003	4	Spring-Brush Return
⓫	31222-ZE3-791	1	Gear-Reduction
⓬	31231-ZE2-003	1	Holder-Brush
⓭	31232-ZE3-003	1	Wire-Water Cover

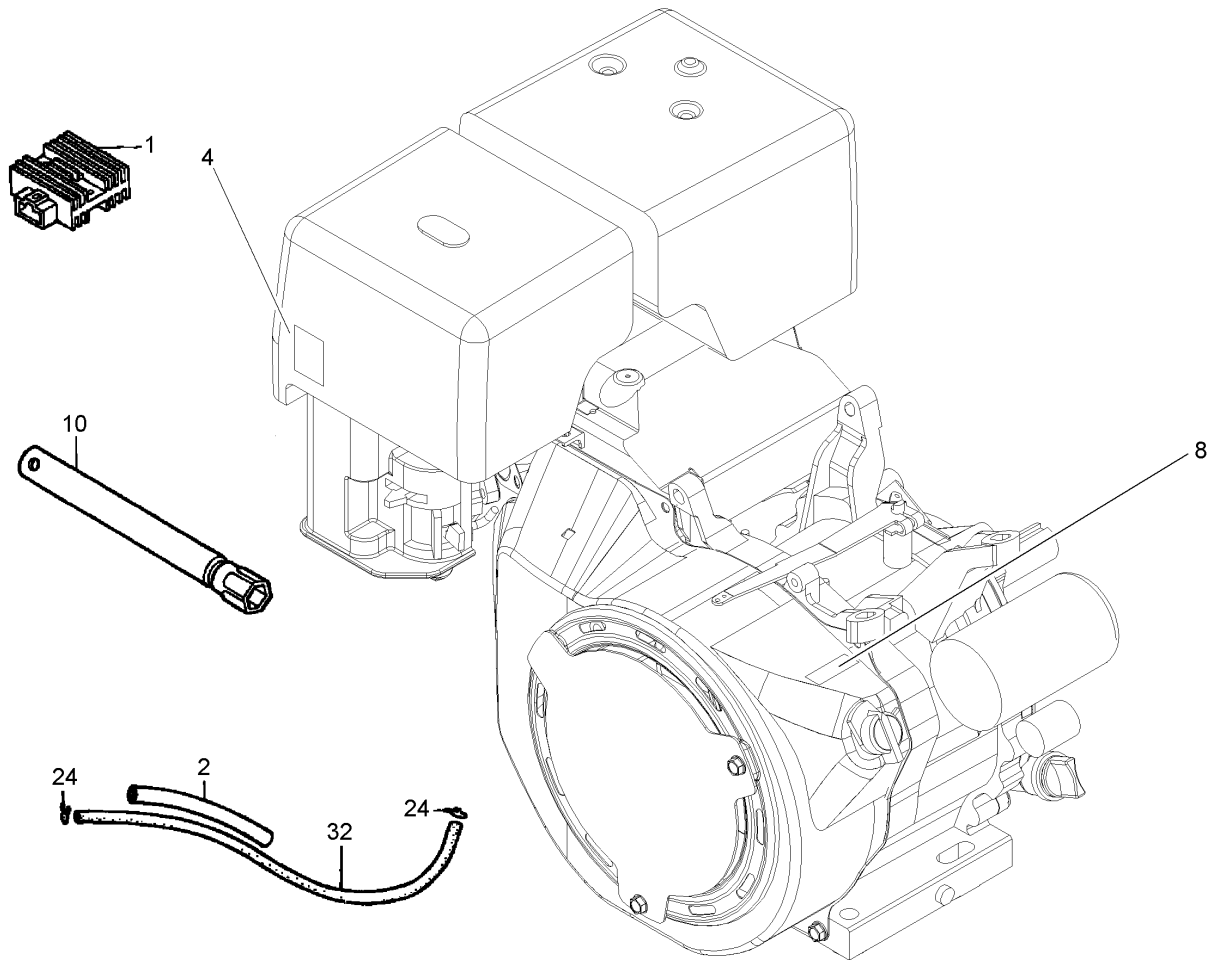
Ref	Part No.	Qty.	Description
⓮	31233-ZE2-003	1	Insulator
⓯	90110-ZE2-003	1	Screw-Washer (4X6)
⓰	91601-ZE2-003	1	Gasket
⓱	90007-ZE2-003	2	Bolt-Washer (5X14)
⓲	93892-05032-08	4	Screw-Washer (5X3)
⓳	94070-06080	2	Nut-Washer (6Mm)
⓴	95701-08035-08	2	Bolt-Flange (8X35)



## Control Assembly Honda GX390K1QNE2

Ref	Part No.	Qty.	Description
●2	16551-ZE3-000	1	Arm-Governor
●3	16555-ZE3-000	1	Rod-Governor
●4	16561-ZE3-000	1	Spring-Governor
●5	16562-ZE3-000	1	Spring-Throttle Return
●8	16570-ZE3-W10	1	Control ASM (Remote)
●11	16571-ZE3-W00	1	Lever-Control
●12	16574-ZE1-000	1	Spring-Lever
●13	16575-ZE2-W00	1	Washer-Control Lever
●14	16576-891-000	1	Holder-Cable
●15	16578-ZE1-000	1	Spacer-Control Lever
●16	16581-ZE3-W00	1	Base-Control
●17	16584-883-300	1	Spring-Adjusting, Control
●18	16592-883-310	1	Spring-Cable Return

Ref	Part No.	Qty.	Description
●19	16594-883-010	1	Holder-Wire
●22	90013-883-000	2	Bolt-Flange (6X12) (C T200)
●23	90015-ZE5-010	1	Bolt-Arm, Governor
●25	90114-SA0-000	1	Nut-Self-Lock (6Mm)
●26	90605-230-000	1	Circlip (5Mm)
●30	93500-04006-0H	1	Screw-Pan (4X6)
●31	93500-05016-0A	1	Screw-Pan (5X16)
●32	93893-05016-00	1	Screw-Washer (5X16)
●32	93500-05032-0A	1	Screw-Pan (5X32)
●35	94050-06000	1	Nut-Flange (6 Mm)



## Miscellaneous Part Assembly Honda GX390K1QNE2

Ref	Part No.	Qty.	Description				
1	31600-ZE2-861	1	Regulator Rectifier ASM				
2	16854-ZH8-000	1	Supporter-Rubber (107 Mm)				
4	87528-ZE2-810	1	Mark-Choke (External)				
8	87532-ZH8-810	1	Mark, Oil Alert (E)				
10	89218-ZE1-000	1	Wrench-Spark Plug				
24	95002-02080	2	Clip-Tube (B8)				
32	95001-45003-60M	1	Hose-Fuel (4.5X3000) (4.5X235)				

# Attachments and Accessories

## For 22308 - Dingo TX 413 Compact Utility Loader

Product Name	Model/Part
Track Kit .....	104-6106
Road Wheel Kit .....	106-7620
Road Wheel Kit (5-Pack) .....	106-7627
Track-Aggressive Tread .....	108-5640
Alignment Tool .....	110-0069

# NOTES

