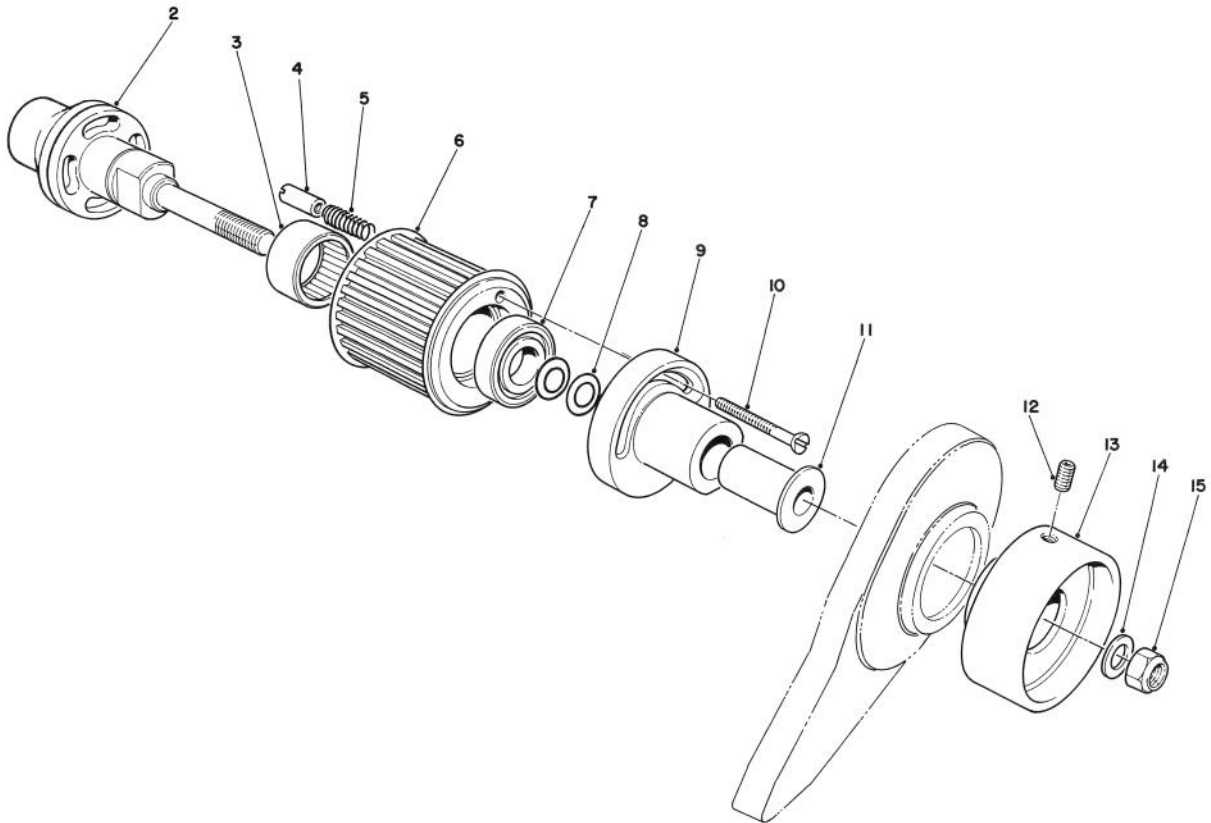




MODEL NO. 04125-10001 & UP

PARTS
CATALOG

GREENSMASTER® 1000 GROOMING KIT



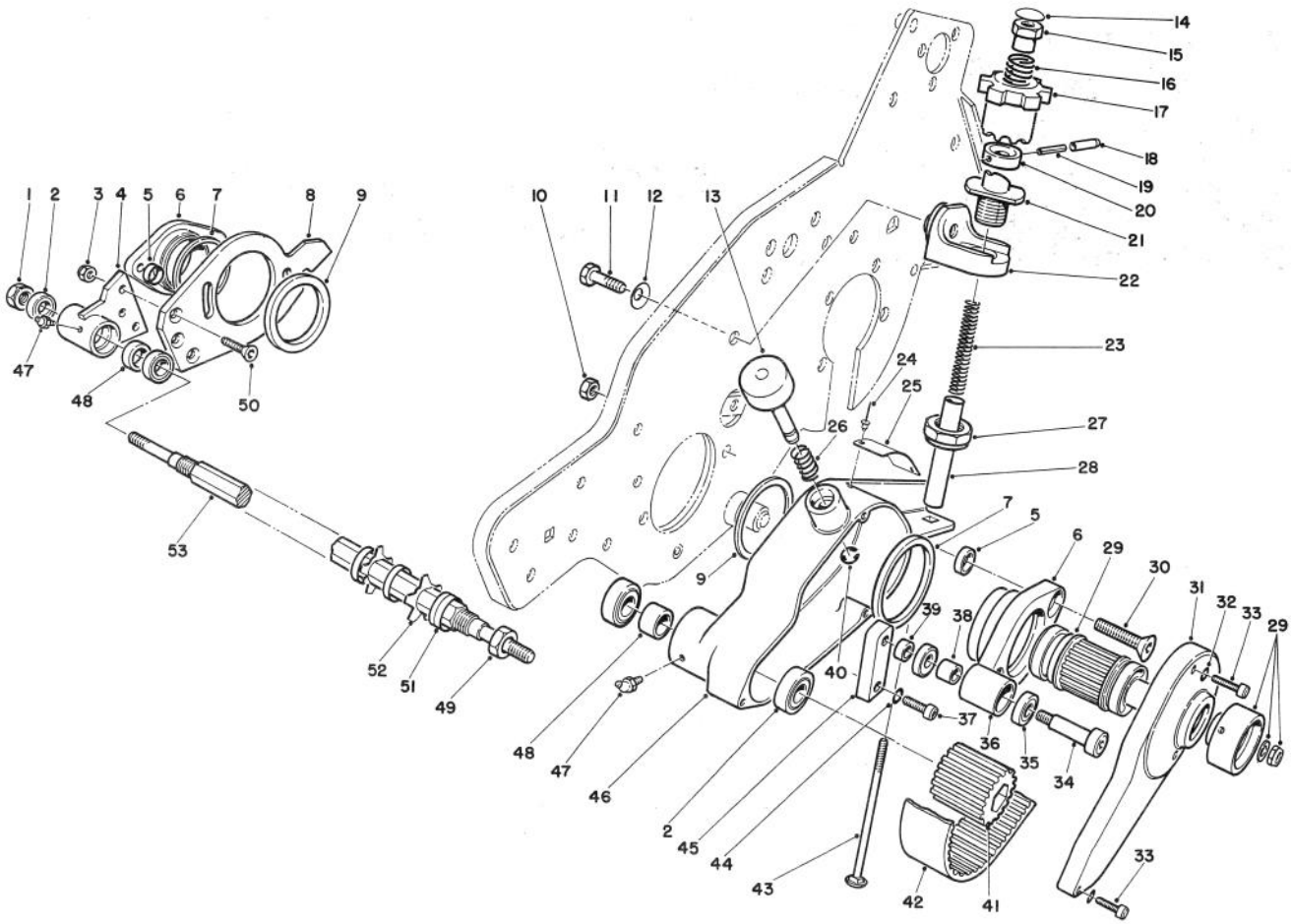
T-0946

CLUTCH ASSEMBLY

Ref. No.	Part No.	Description	No. Used
2	65-9140	Adapter - Clutch Drive	1
3	252-110	Bearing - Needle	1
4	65-9660	Pin - Clutch	1
5	65-9670	Spring - Compression	1
6	65-9630	Pulley - Driver	1
7	251-327	Bearing - Roller	1
8	3290-480	Washer - Belleville	2

Ref. No.	Part No.	Description	No. Used
9	65-9640	Disc - Release Clutch	1
10	65-9650	Screw - Special	1
11	256-300	Bushing - Flange	1
12	32110-13	Screw-Set	2
13	65-9680	Knob - Clutch	1
14	3256-24	Washer - Flat	1
15	3296-39	Nut - Lock	1

TPS

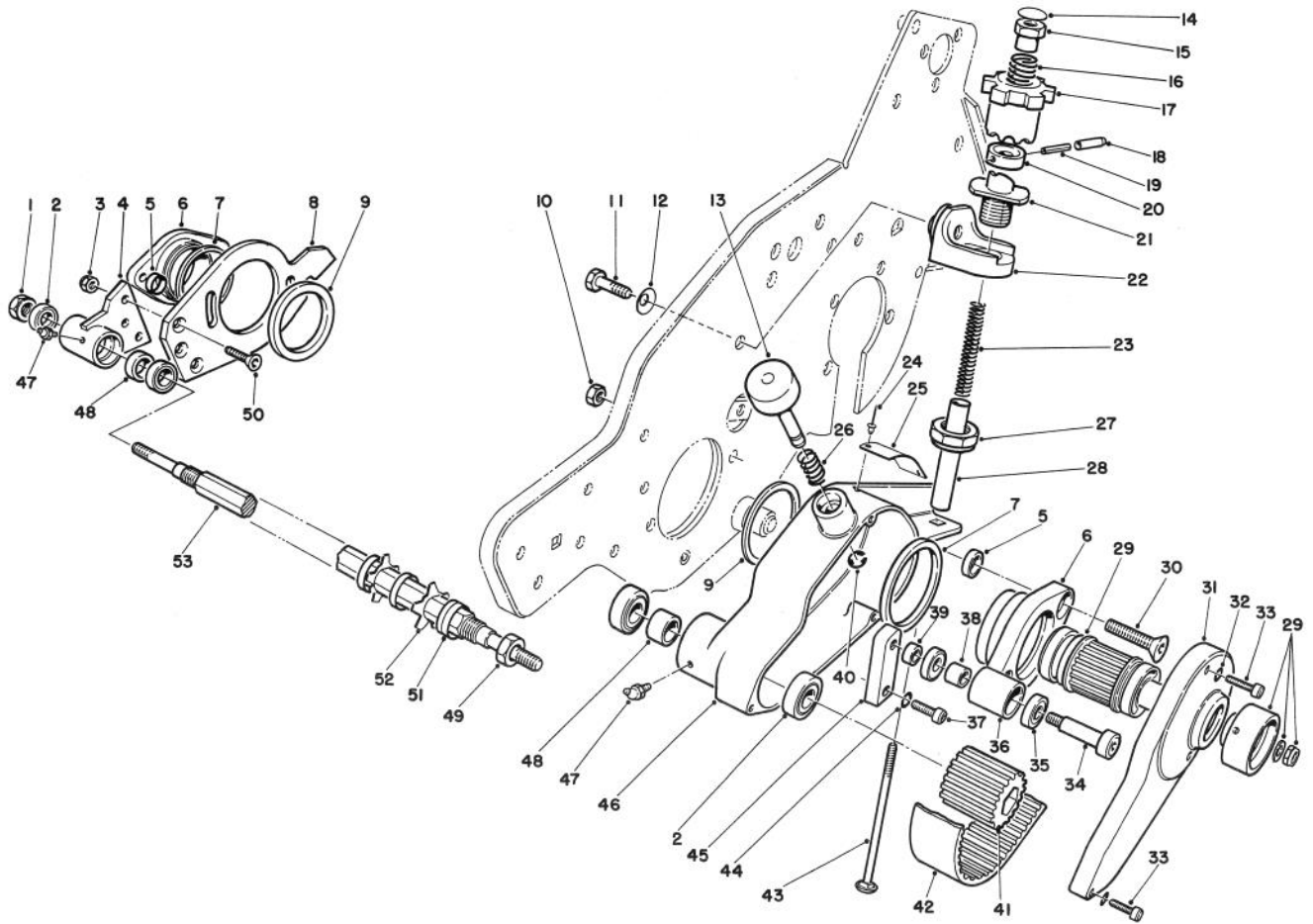


T-1244

REEL ASSEMBLY GROOMING REEL KIT MODEL NO. 04125 (Optional)

Ref. No.	Part No.	Description	No. Used
1	3296-62	Nut	1
2	251-327	Bearing - Ball	4
3	3296-4	Nut - Lock	3
4	65-9220	Housing - Bearing	1
5	65-9820	Spacer	4
6	65-8160	Adapter	2
7	65-9860	Bearing	2
8	65-8060	Plate - Side	1
9	65-8010	Ring - Adapter	2
10	32152-2	Nut - Lock	4
11	323-34	Screw - Cap Hex. Hd.	2
12	3290-455	Washer - Belleville	2
13	65-9930	Cap	1
14	284-3	Plug	2
15	65-9570	Driver	2
16	65-9580	Spring	2
17	65-9560	Knob - Adjustment (Incl. Ref. #14-16)	2
18	2410-68	Cover - Pin	2
19	32121-15	Pin - Roll	2
20	65-9550	Cap	2
21	65-9830	Ramp	2
22	65-8090	Block - Mounting	2
23	65-9810	Spring	2
24	3290-271	Rivet - Pop	2

Ref. No.	Part No.	Description	No. Used
25	65-9950	Plate - Caution	1
26	65-9940	Spring	1
27	3296-49	Nut - Lock	2
28	65-8110	Spacer - Spring	2
29		Assembly - Clutch	1
30	3289-23	Screw - Socket Flat Hd.	2
31	65-9710	Cover - Belt	1
32	3253-12	Washer - Lock	3
33	3274-13	Screw - Cap Soc. Hd.	3
34	65-9340	Screw - Shoulder	1
35	251-328	Bearing	2
36	65-9320	Pulley - Idler	1
37	3274-10	Screw - Cap Soc. Hd.	1
38	65-9980	Spacer - Pulley Idler	1
39	65-9330	Spacer	1
40	32120-18	Ring - Retaining	1
41	65-9290	Pulley - Driven	1
42	65-9700	Belt	1
43	65-8120	Bolt - Carriage	2
44	3253-4	Washer - Lock	1
45	65-9310	Block - Idler	1
46	65-8070	Housing - Belt Drive	1
47	302-11	Fitting - Grease	2
48	65-9300	Spacer - Pulley Driven	2
49	3296-60	Nut - Lock	2



T-1244

REEL ASSEMBLY GROOMING REEL KIT MODEL NO. 04125 (Optional) (Cont.)

Ref. No.	Part No.	Description	No. Used
50	3289-21	Screw - Socket Flat Hd.	3
51	70-1350	Spacer (41 Blade Reel)	84
52	70-1170	Blade (41 Blade Reel)	41
53	75-9980	Shaft	1

Ref. No.	Part No.	Description	No. Used
*	74-3290	Assembly - Groomer Reel (41 Blade Reel) (Incl. Ref. #49, 51-53)	1

*Not Illustrated

AL-905960

Litho U.S.A.

PRODUCT CHANGES

In an effort to make improvements available to TORO owners as quickly as possible, minor changes are incorporated into Toro's products from time to time that do not become immediately shown in the Parts Catalog. If such a change has been made in your unit, which is not reflected in your manual, see your TORO Distributor or his Authorized TORO Service Dealer for information and part numbers.

COUNTRIES OTHER THAN THE UNITED STATES OR CANADA

Customers who have purchased TORO products exported from the United States or Canada should contact their Toro Distributor (Dealer) to obtain guarantee policies for your country, province or state. If for any

reason you are dissatisfied with your Distributor's service or have difficulty obtaining guarantee information, contact the TORO importer. If all other remedies fail, you may contact us at The Toro Company.

MAINTENANCE RECORD

Date									