



Skid Replacement Kit

Groundsmaster® Cutting Units

Part No. 112-9570

Form No. 3357-267 Rev A

Installation Instructions

1. Disengage the PTO and set the parking brake.
2. Raise the cutting unit, move the throttle lever to the Slow position, stop the engine, remove the key, and wait for all moving parts to stop before leaving the operating position.
3. Block up the cutting unit.
4. Remove the bolts and nuts securing the existing skid assembly to the cutting unit (Fig. 1)

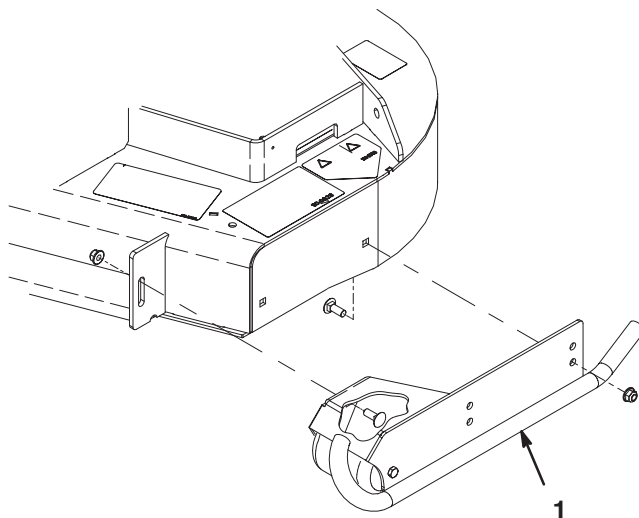


Figure 1

1. Skid assembly

5. Using the holes in the skid that align with the cutting unit holes mount the skid as follows:
 - A. Loosely mount the side of the skid to the cutting unit with (2) 3/8 x 2-1/4 inch carriage screws and flange nuts (Fig. 2 and 3).

Note: Only use the top or center sets of holes to mount the skids. The bottom holes are used when switching sides on a Guardian mower deck, at which time they become the top holes on the other side of the mower.

- B. Loosely mount the front of the skid to the cutting unit with a 3/8 x 1-1/4 inch screw (Fig. 2 and 3).

Note: Mount the skid in the lower position when operating in height of cuts higher than 2-1/2 inches (64 mm) and in the higher position when operating in height of cuts lower than 2-1/2 inches (64 mm).

6. Move the skid to the desired position and secure the fasteners.

7. Torque the screw at the front of each skid to 80 to 100 in-lb.

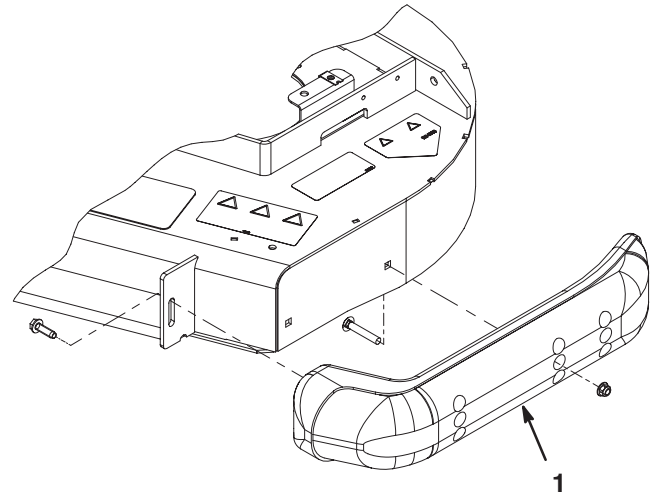


Figure 2

1. Skid – side discharge decks

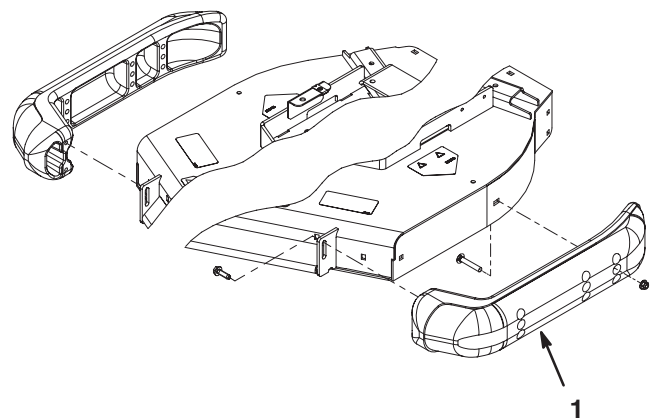


Figure 3

1. Skid – Guardian and rear discharge decks

Note: On Guardian mowers, when the skids become worn, you can switch the skid to the opposite sides of the mower, flipping them over. This will allow you to use the skids longer before replacing them.