

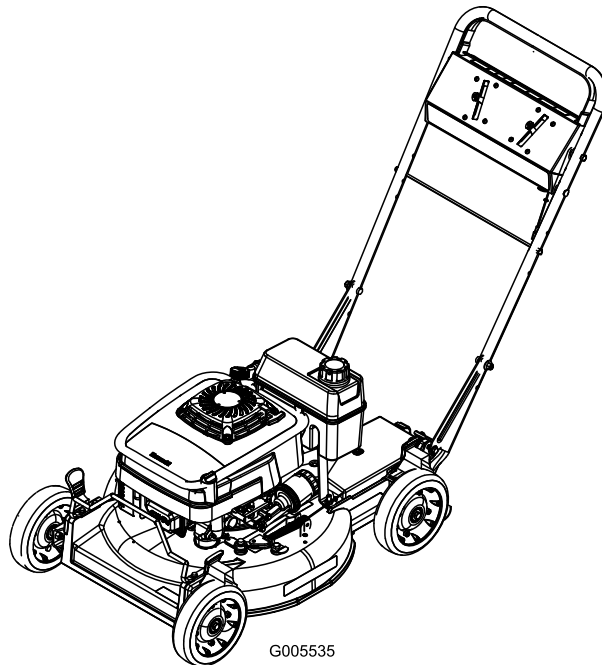


Count on it.

Operator's Manual

53cm Heavy-Duty Rear Bagging Lawn Mower

Model No. 22177TE—Serial No. 270000001 and Up



G005535

Introduction

Read this information carefully to learn how to operate and maintain your product properly and to avoid injury and product damage. You are responsible for operating the product properly and safely.

You may contact Toro directly at www.Toro.com for product and accessory information, help finding a dealer, or to register your product.

Whenever you need service, genuine Toro parts, or additional information, contact an Authorized Service Dealer or Toro Customer Service and have the model and serial numbers of your product ready. Figure 1 identifies the location of the model and serial numbers on the product. Write the numbers in the space provided.

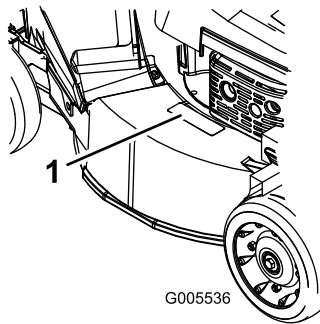


Figure 1

1. Model and serial number location

| |
|---------------------------------------------------|
| Model No. _____ Serial No. _____ |
|---------------------------------------------------|

This manual identifies potential hazards and has safety messages identified by the safety alert symbol (Figure 2), which signals a hazard that may cause serious injury or death if you do not follow the recommended precautions.



Figure 2

1. Safety alert symbol

This manual uses 2 words to highlight information. **Important** calls attention to special mechanical

information and **Note** emphasizes general information worthy of special attention.

Contents

| | |
|----------------------------------------------------|----|
| Introduction | 2 |
| Safety | 4 |
| General Lawn Mower Safety | 4 |
| Sound Pressure..... | 6 |
| Sound Power | 6 |
| Vibration, Hand/arm | 6 |
| Safety and Instructional Decals | 6 |
| Setup | 8 |
| 1 Installing the Handle | 8 |
| 2 Installing the Fuel Tank and the Fuel Line | 9 |
| 3 Installing the Discharge Tunnel Plug..... | 9 |
| 4 Filling the Crankcase with Oil..... | 10 |
| Product Overview | 11 |
| Operation..... | 12 |
| Checking the Engine Oil Level | 12 |
| Filling the Fuel Tank with Gasoline..... | 12 |
| Starting the Engine | 14 |
| Stopping the Engine | 14 |
| Operating the Blade and the Self-Propel Drive..... | 14 |
| Using the Discharge Tunnel Plug..... | 15 |
| Checking the Blade Brake Clutch | 15 |
| Adjusting the Cutting Height | 17 |
| Using the Grass Bag..... | 17 |
| Operating Tips | 19 |
| Maintenance..... | 21 |
| Recommended Maintenance Schedule(s) | 21 |
| Lubrication..... | 22 |
| Lubricating the Pivot Arms | 22 |
| Lubricating the Gear Case..... | 22 |
| Engine Maintenance..... | 22 |
| Servicing the Air Filter | 22 |
| Changing the Engine Oil..... | 23 |
| Changing the Oil Filter | 23 |
| Servicing the Spark Plug | 24 |
| Fuel System Maintenance | 24 |

| | |
|-----------------------------------------------------------------|----|
| Emptying the Fuel Tank and Cleaning the Fuel Filter | 24 |
| Drive System Maintenance..... | 25 |
| Adjusting the Self-propel Drive..... | 25 |
| Servicing the Wheels..... | 25 |
| Controls System Maintenance..... | 26 |
| Adjusting the Blade Brake Cable..... | 26 |
| Blade Maintenance | 26 |
| Maintaining the Cutting Blade..... | 26 |
| Cleaning..... | 28 |
| Cleaning under the Mower Housing | 28 |
| Cleaning the Blade Brake Clutch Shield..... | 29 |
| Storage..... | 30 |
| Preparing the Fuel System..... | 30 |
| Preparing the Engine | 30 |
| General Information | 30 |
| Removing the Lawn Mower from Storage..... | 30 |
| Troubleshooting..... | 31 |

Safety

Improperly using or maintaining this mower can result in injury. To reduce the potential for injury, comply with these safety instructions.

Toro designed and tested this mower for reasonably safe service; however, failure to comply with the following instructions may result in personal injury.

To ensure maximum safety, best performance, and to gain knowledge of the product, it is essential that you and any other operator of the mower read and understand the contents of this manual before the engine is ever started. Pay particular attention to the safety alert symbol (Figure 2) which means Caution, Warning, or Danger—“personal safety instruction.” Read and understand the instruction because it has to do with safety. Failure to comply with the instruction may result in personal injury.

General Lawn Mower Safety

The following instructions have been adapted from the ISO standard 5395.

This cutting machine is capable of amputating hands and feet and throwing objects. Failure to observe the following safety instructions could result in serious injury or death.

Training

- Read the instructions carefully. Be familiar with the controls and the proper use of the equipment.
- Never allow children or people unfamiliar with these instructions to use the mower. Local regulations can restrict the age of the operator.
- Keep in mind that the operator or user is responsible for accidents or hazards occurring to other people or their property.
- Understand explanations for all pictograms used on the mower or in the instructions.

Gasoline

WARNING-Gasoline is highly flammable. Take the following precautions.

- Store fuel in containers specifically designed for this purpose.

- Refuel outdoors only and do not smoke while refueling.
- Add fuel before starting the engine. Never remove the cap of the fuel tank or add gasoline while the engine is running or when the engine is hot.
- If gasoline is spilled, do not attempt to start the engine but move the mower away from the area of spillage and avoid creating any source of ignition until gasoline vapors have dissipated.
- Replace all fuel tank and container caps securely.

Preparation

- While mowing, always wear substantial footwear and long trousers. Do not operate the equipment when barefoot or wearing open sandals.
- Thoroughly inspect the area where the equipment is to be used and remove all stones, sticks, wires, bones and other foreign objects.
- Before using, always visually inspect to see that guards, and safety devices, such as deflectors and/or grass catchers, are in place and working correctly.
- Before using, always visually inspect to see that the blades, blade bolts and cutter assembly are not worn or damaged. Replace worn or damaged blades and bolts in sets to preserve balance.

Starting

- Disengage all blade and drive clutches and shift into neutral before starting the engine.
- Do not tilt mower when starting the engine or switching on the motor, unless the mower has to be tilted for starting. In this case, do not tilt it more than absolutely necessary and lift only the part, which is away from the operator.
- Start the engine or switch on the motor carefully according to instructions and with feet well away from the blade(s) and not in front of the discharge chute.

Operation

- Never mow while people, especially children, or pets are nearby.
- Mow only in daylight or in good artificial light.

- Avoid operating the lawn mower in wet grass, where feasible.
- Stay alert for holes in the terrain and other hidden hazards.
- Do not put hands or feet near or under rotating parts. Keep clear of the discharge opening at all times.
- Never pick up or carry a lawn mower while the engine is running.
- Use extreme caution when reversing or pulling a pedestrian controlled lawn mower towards you.
- Walk, never run.
- Slopes:
 - Do not mow excessively steep slopes.
 - Exercise extreme caution when on slopes.
 - Mow across the face of slopes, never up and down and exercise extreme caution when changing direction on slopes.
 - Always be sure of your footing on slopes.
- Use low throttle settings when engaging the traction-clutch, especially in high gears. Reduce speed on slopes and in sharp turns to prevent overturning or loss of control.
- Stop the blade if the lawn mower has to be tilted for transportation when crossing surfaces other than grass and when transporting the lawn mower to and from the area to be mowed.
- Do not operate the engine in a confined space where dangerous carbon monoxide fumes can collect.
- Stop the engine
 - whenever you leave the lawn mower.
 - before refueling.
 - before removing the grass catcher.
 - before making height adjustment unless adjustment can be made from the operator's position.
- Stop the engine and disconnect the spark-plug wire.
 - before clearing blockages or unclogging chute.
 - before checking, cleaning or working on the lawn mower.
 - after striking a foreign object, inspect the lawn mower for damage and make repairs before restarting and operating the lawn mower.
- if lawn mower starts to vibrate abnormally (check immediately).
- Reduce the throttle setting during engine shut down, and close the fuel valve at the conclusion of mowing.
- Watch out for traffic when crossing or near roadways.

Maintenance and Storage

- Keep all nuts, bolts and screws tight to be sure the equipment is in safe working condition.
- Do not use pressure cleaning equipment on machine.
- Never store the equipment with gasoline in the tank and inside a building where fumes can reach an open flame or spark.
- Allow the engine to cool before storing in any enclosure.
- To reduce the fire hazard, keep the engine, silencer, battery compartment and gasoline storage are free of grass, leaves, or excessive grease.
- Check grass catcher components and the discharge guard frequently and replace with manufacturer's recommended parts, when necessary.
- Replace worn or damaged parts for safety.
- Replace faulty silencers.
- If the fuel tank has to be drained, do this out-doors.
- Do not change the engine governor settings or overspeed the engine. Operating an engine at excessive speed can increase the hazard of personal injury.
- Be careful during adjustment of the lawn mower to prevent entrapment of the fingers between moving blades and fixed parts of the lawn mower.
- **To ensure the best performance and safety, purchase only genuine Toro replacement parts and accessories. Do not use will fit parts and accessories; they may cause a safety hazard.**

Sound Pressure

This unit has an equivalent continuous A-weighted sound pressure level at the operator ear of 88 dBA, based on measurements of identical machines per EN 11094 and EN 836.

Sound Power

This unit has an equivalent continuous A-weighted sound power level of 98 dBA, based on

measurements of identical machines per EN 11094.

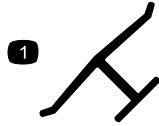
Vibration, Hand/arm

This unit does not exceed a hand/arm vibration level of 5.5 m/s², based on measurements of identical machines per EN 1033.

Safety and Instructional Decals

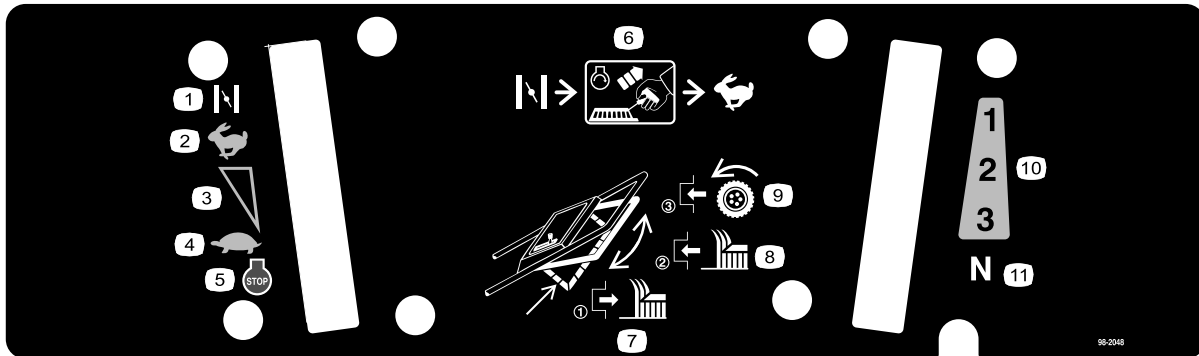


Safety decals and instructions are easily visible to the operator and are located near any area of potential danger. Replace any decal that is damaged or lost.



Manufacturer's Mark

1. Indicates the blade is identified as a part from the original machine manufacturer.



98-2048

1. Choke
2. Fast
3. Continuous variable setting
4. Slow
5. Engine—stop
6. Set the throttle lever to the Choke position, pull the cord to start the engine, then move the throttle to the Fast position.
7. Release the bail to disengage the cutting blade.
8. Move the bail up to engage the cutting blade.
9. Move the bail to the handle to engage the traction drive.
10. Forward speeds
11. Neutral the cutting blade.



98-4387

1. Warning—wear hearing protection.
-



110-4978

1. Warning—read the *Operator's Manual*.
 2. Thrown object hazard—keep bystanders a safe distance from the machine.
 3. Cutting, dismemberment hazard of hand or foot—stop the engine and remove the spark plug wire before performing any maintenance on the machine.
 4. Cutting, dismemberment hazard of hand or foot—stay away from moving parts.
 5. Warning—stop the engine before leaving the machine.
-

Setup

Loose Parts

Use the chart below to verify that all parts have been shipped.

| Step | Description | Qty. | Use |
|----------|----------------------------|------|--------------------------------------|
| 1 | Handle | 1 | Install the handle. |
| | Bolt (5/16 x 1-1/4 inches) | 2 | |
| | Washer | 4 | |
| | Thin locknut (5/16 inch) | 2 | |
| | Bolt (5/16 x 1-1/2 inches) | 2 | |
| | Locknut (5/16 inch) | 2 | |
| | Bag support rod | 1 | |
| | Cap locknut | 2 | |
| | Cable tie | 1 | |
| 2 | Self-tapping screw | 2 | Install the fuel tank and fuel line. |
| | Fuel tank | 1 | |
| 3 | Discharge tunnel plug | 1 | Install the discharge tunnel plug. |
| 4 | No parts required | – | Fill the crankcase with oil. |

Note: Determine the left and right sides of the machine from the normal operating position.

Step
1

Installing the Handle

Parts needed for this step:

| | |
|---|----------------------------|
| 1 | Handle |
| 2 | Bolt (5/16 x 1-1/4 inches) |
| 4 | Washer |
| 2 | Thin locknut (5/16 inch) |
| 2 | Bolt (5/16 x 1-1/2 inches) |
| 2 | Locknut (5/16 inch) |
| 1 | Bag support rod |
| 2 | Cap locknut |
| 1 | Cable tie |

Procedure

1. Mount the handle to the outside of the lawn mower housing (using the bottom hole) with 2 bolts (5/16 x 1-1/4 inches), washers, and thin locknuts (5/16 inch) (Figure 3).

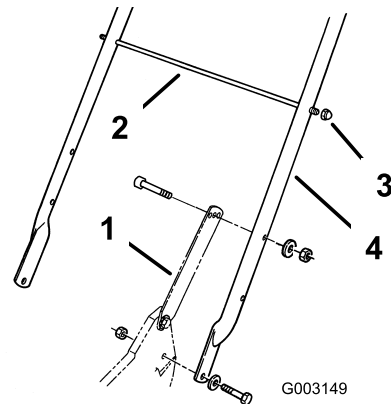


Figure 3

- | | |
|--------------------|--------------------|
| 1. Handle latch | 3. Cap locknut (2) |
| 2. Bag support rod | 4. Handle |

2. Secure the handle latches to the handle with 2 bolts (5/16 x 1-1/2 inches), washers, and locknuts (5/16 inch) (Figure 3).

Note: You can adjust the handle height for comfortable operation. Stand behind the handle to determine the height. To adjust the handle height, position the cap screws and the locknuts that secure the handle latches to the handle into the other mounting holes in the latches.

- Slide the bag support rod through the second from the top mounting holes in the handle and secure each end with a cap locknut (Figure 3).
- Use a cable tie to secure the control cables to the left handle below the bag support rod.

Step
2

Installing the Fuel Tank and the Fuel Line

Parts needed for this step:

| | |
|---|--------------------|
| 2 | Self-tapping screw |
| 1 | Fuel tank |

Procedure

- Slide the end of the fuel line onto the elbow fitting (Figure 4).

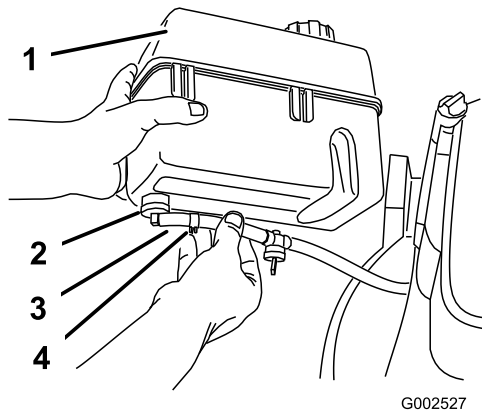


Figure 4

- | | |
|------------------|--------------------|
| 1. Fuel tank | 3. Fuel line |
| 2. Elbow fitting | 4. Fuel line clamp |

- Secure the fuel line in place with the fuel line clamp (Figure 4).
- Slide the plastic clips on the front of the fuel tank onto the fuel tank mount (Figure 5).

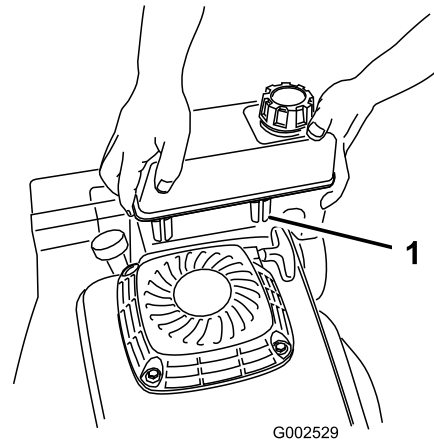


Figure 5

- Plastic clip (2)

- Secure the bottom of the fuel tank to the fuel tank bracket by installing the self-tapping screws from the bottom. **Do not overtighten the screws.**

Step
3

Installing the Discharge Tunnel Plug

Parts needed for this step:

| | |
|---|-----------------------|
| 1 | Discharge tunnel plug |
|---|-----------------------|

Procedure

- Open the discharge door by pulling forward on the handle and moving it rearward (Figure 6). Hold the discharge door handle to prevent the spring-loaded door from closing while you insert the plug.

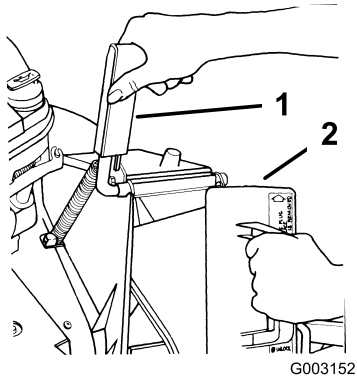


Figure 6

1. Discharge door handle
2. Plug, rotated clockwise

-
2. Since the plug is slightly wider than the discharge tunnel opening, rotate the plug clockwise slightly while inserting it (Figure 6).

Note: Ensure that the arrow on the plug decal points upward.

3. Push the plug all the way in until the spring clip on the bottom of the plug clicks into place, locking the plug securely into the discharge tunnel (Figure 7).

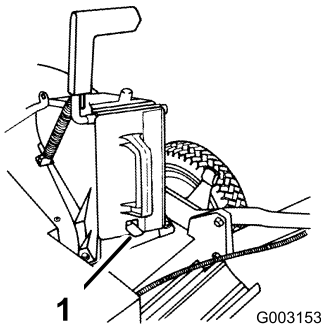


Figure 7

1. Spring clip

-
4. Release the discharge door handle to lock the top of the plug.

Step

4

Filling the Crankcase with Oil

No Parts Required

Procedure

The engine crankcase is shipped without oil.

You must fill it with approximately 30 ounces (0.88 l) of oil before starting the engine. Refer to Checking the Engine Oil Level in Operation, page 12 for oil specifications and instructions.

Product Overview

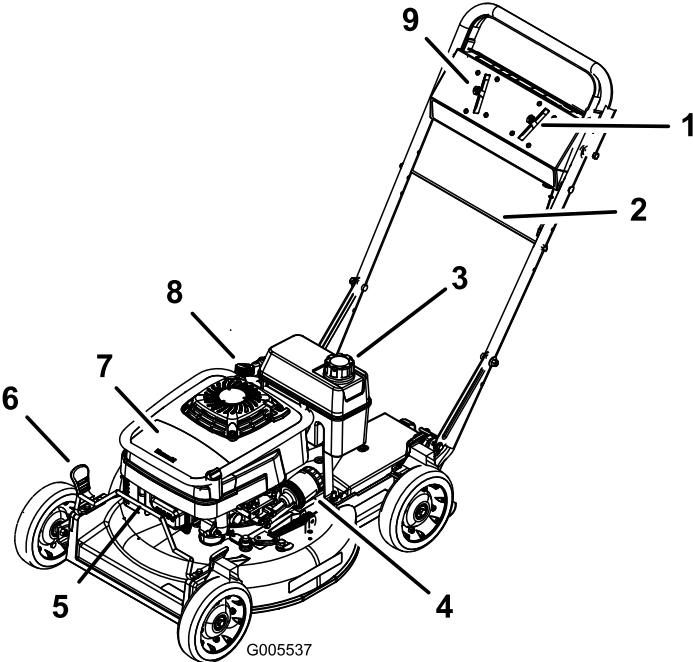



Figure 8

- 1. Ground speed control lever
- 2. Bag aligning rod
- 3. Fuel tank
- 4. Oil filter
- 5. Spark plug
- 6. Cutting height lever
- 7. Air filter
- 8. Oil fill/dipstick
- 9. Throttle control lever

Operation

Note: Determine the left and right sides of the machine from the normal operating position.

Each time before you mow, make sure that the self-propel drive and the blade control bail operate properly. When you release the blade control bail, the blade and self-propel drive should stop. If they do not, contact an Authorized Service Dealer.



This machine produces sound levels in excess of 85dBA at the operator's ear and can cause hearing loss through extended periods of exposure.

Wear hearing protection when operating this machine.



Figure 9

1. Warning—wear hearing protection.

Checking the Engine Oil Level

Initially, fill the crankcase with 30 oz. (0.88 l) of oil. Use only high-quality SAE 30 or SAE 10W30 weight detergent oil that has the American Petroleum Institute (API) service classification SF, SG, SH, or SJ.

| Oil Capacity | |
|--------------------|-------------------------|
| With oil filter | 30 ounces (0.88 liters) |
| Without oil filter | 24 ounces (0.70 liters) |

Before each use, ensure that the oil level is between the Add and Full marks on the dipstick (Figure 10).

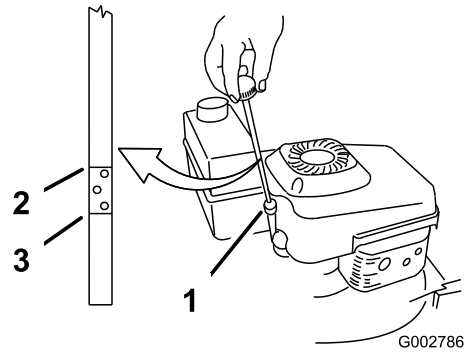


Figure 10

1. Dipstick
2. Full
3. Add

Note: When the crankcase is empty, pour about 3/4 of the crankcase capacity of oil in the crankcase, then follow the procedure in this section.

1. Move the lawn mower to a level surface.
 2. Clean around the dipstick (Figure 10).
 3. Remove the dipstick by rotating the cap counterclockwise and pulling it out.
 4. Wipe the dipstick clean with a clean cloth.
 5. Insert the dipstick into the filler neck, **but do not screw it in.**
 6. Remove the dipstick and read the oil level on the dipstick (Figure 10).
 7. If the oil level reading is below the Add mark on the dipstick, slowly pour only enough oil into the filler hole to raise the oil level to the Full mark on the dipstick.
- Important:** Do not overfill the crankcase with oil and run the engine; engine damage will result. Drain the excess oil until the oil level on the dipstick reads Full.
8. Insert the dipstick into the filler neck and rotate the cap clockwise until it is tight.

Filling the Fuel Tank with Gasoline

For best results, use clean, fresh, lead-free gasoline with an octane rating of 87 or higher. To ensure freshness, purchase only the quantity of gasoline that you expect to use in 30 days. Using unleaded gasoline results in fewer combustion deposits and longer engine life. You may use leaded gasoline if unleaded gasoline is not available.

Important: Do not add oil to the gasoline.

Important: Do not use methanol, gasoline containing methanol, gasohol containing more than 10% ethanol, premium gasoline, or white gas. Using these fuels can damage the engine's fuel system.

Important: Do not use gasoline that has been stored since the last mowing season or longer.



In certain conditions, gasoline is extremely flammable and highly explosive. A fire or explosion from gasoline can burn you and others and can damage property.

- Fill the fuel tank outdoors, in an open area, and when the engine is cold. Wipe up any gasoline that spills.
- Do not fill the fuel tank completely full. Add gasoline to the fuel tank until the level is 1/4 to 1/2 in. (6 to 13 mm) below the bottom of the filler neck. This empty space in the tank allows the gasoline to expand.
- Never smoke when handling gasoline, and stay away from an open flame or where a spark may ignite the gasoline fumes.
- Store gasoline in an approved fuel container and keep it out of the reach of children.
- Never buy more than a 30-day supply of gasoline.



When fueling, under certain circumstances, a static charge can develop, igniting the gasoline. A fire or explosion from gasoline can burn you and others and damage property.

- Always place gasoline containers on the ground and away from your vehicle before filling.
- Do not fill gasoline containers inside a vehicle or on a truck or trailer bed because interior carpets or plastic truck bed liners may insulate the container and slow the loss of any static charge.
- When practical, remove gasoline-powered equipment from the truck or trailer and refuel the equipment with its wheels on the ground.
- If this is not possible, then refuel such equipment on a truck or trailer from a portable container, not from a gasoline dispenser nozzle.
- If you must use a gasoline dispenser nozzle, keep the nozzle in contact with the rim of the fuel tank or container opening at all times until fueling is complete.

Use a fuel stabilizer/conditioner regularly during operation and storage. A stabilizer/conditioner cleans the engine during operation and prevents gum-like varnish deposits from forming in the engine during periods of storage.

Important: Do not use fuel additives other than a fuel stabilizer/conditioner. Do not use fuel stabilizers with an alcohol base such as ethanol, methanol, or isopropanol.

1. Clean around the fuel tank cap (Figure 11).

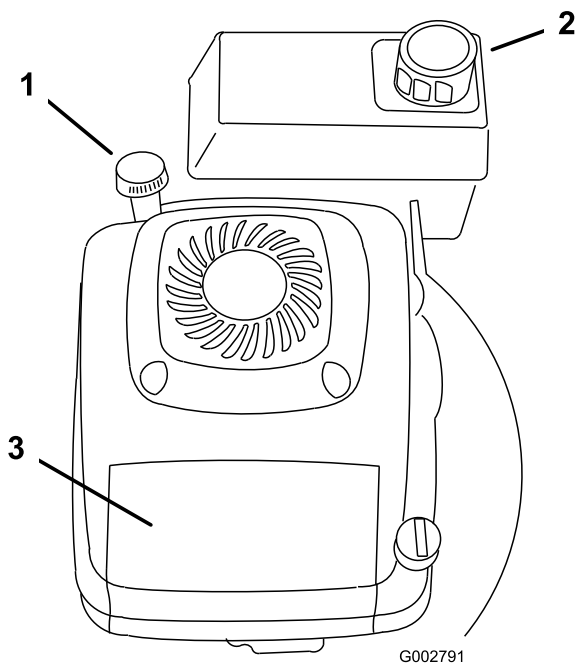


Figure 11

1. Oil fill/dipstick
2. Fuel tank cap
3. Air cleaner

2. Remove the cap from the tank.
3. Fill the fuel tank with unleaded gasoline to within 1/4 to 1/2 inch (6 to 13 mm) from the top of the tank. **Do not fill into the filler neck.**

Important: Do not fill the tank more than 1/4 inch (6 mm) from the top of the tank because the gasoline must have room to expand.

4. Install the fuel tank cap and wipe up any spilled gasoline.

Starting the Engine

1. Connect the wire to the spark plug (Figure 12).

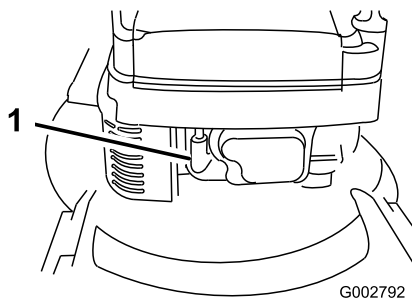


Figure 12

1. Spark-plug wire

2. Open the fuel valve (Figure 4)
3. Move the throttle control to the Choke position.
4. Move the ground speed control to the Neutral (N) position (Figure 8).
5. Pull the starter handle lightly until you feel resistance, then pull it sharply.
6. Regulate the throttle and the ground speed control as desired when the engine starts.

Note: If the engine fails to start after 3 pulls, repeat steps 3 through 6.

Stopping the Engine

1. Release the blade control bar and move the throttle control to the Off position.
2. Disconnect the wire from the spark plug if you do not use the lawn mower or if you leave it unattended.

Operating the Blade and the Self-Propel Drive

1. Have the blade control bar in the A position (Figure 13).

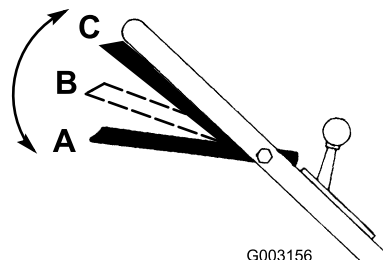


Figure 13

2. Slide the blade control bar to the right and raise it to the B position to engage the blade (Figure 13).
3. Squeeze the blade control bar against the handle to the C position to drive (Figure 13).

Note: To disengage the traction drive but keep the blade engaged, gradually release the blade control bar to the B position. To self-propel with the blade disengaged, squeeze the blade control bar against handle to the C position without sliding the blade control bar to the right.

The lawn mower has 3 ground speeds. 1 is slow, 2 is medium, and 3 is fast.

Note: You can vary the ground speed by increasing or decreasing the distance between the control bar and the handle. Lower the control bar to slow the lawn mower when making a turn or if the lawn mower is moving too fast for you. If you lower the control bar too far, the lawn mower stops self-propelling. Squeeze the control bar closer to the handle to increase the ground speed. When you hold the control bar tight against the handle, the lawn mower self-propels at the maximum ground speed. Move the ground speed control to the Neutral position when you use the lawn mower for trimming and whenever you leave the lawn mower.

Using the Discharge Tunnel Plug

1. Stop the engine and wait for all moving parts to stop.
2. Insert the plug; refer to Installing the Discharge Tunnel Plug.
3. To remove the plug, move the discharge door handle rearward and lift up the spring clip on the bottom of the plug. When the plug is unlocked, pull it out of the discharge tunnel.

Note: When grass is thick and lush, clippings may collect on and around the discharge tunnel plug. This may make removing the plug difficult. Clean the plug thoroughly after each use.

Checking the Blade Brake Clutch

Check the blade control bar before each use to ensure that the blade brake clutch system is operating properly.

Normal Test

1. Stop the engine and wait for all moving parts to stop.
2. Move the lawn mower onto a paved surface in a non-windy area.
3. Set all 4 wheels in to the 2-1/2 inches (64 mm) cutting height setting (Figure 19).
4. Set the ground speed selector to the Neutral (N) position.

5. Take a half sheet of newspaper and crumple it into a ball small enough to go under the deck (about 3 inches or 76 mm in diameter) as shown in Figure 14.

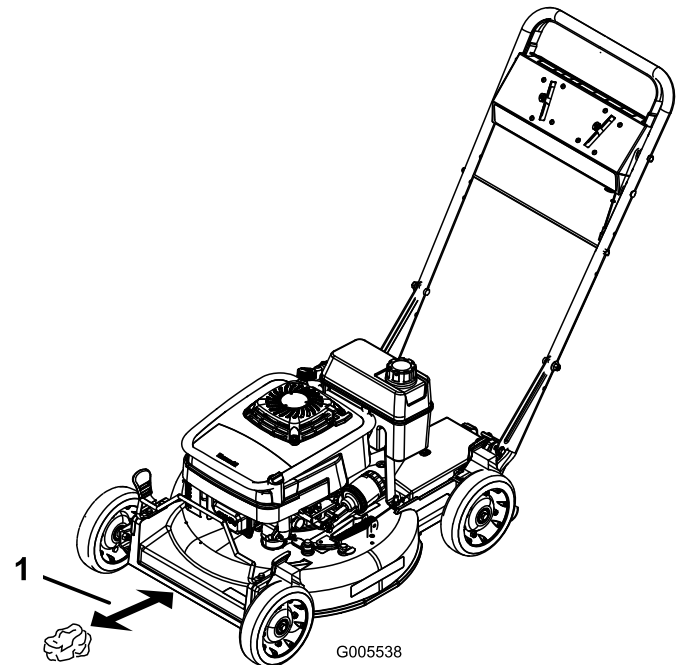


Figure 14

1. 5 inches (12.7 cm)

6. Place the ball of newspaper 5 inches (12.7 cm) in front of the lawn mower (Figure 14).
7. Start the engine.
8. Move the blade control bar down to its lowest position (Figure 15).

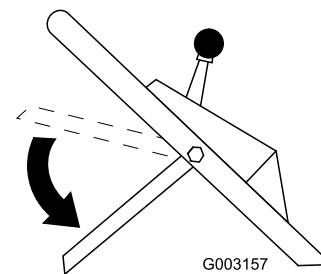


Figure 15

9. Lift the blade control bar up to about one inch (2.5 cm) below the handle; refer to position A in Figure 16.

Note: The fan-like noise indicates that the lawn mower blade is turning.

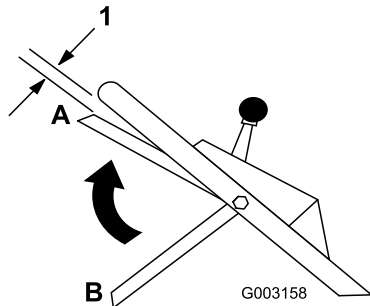


Figure 16

1. 1 inch (2.5 cm)

10. Release the blade control bar; refer to position B in Figure 17. You should hear a “bang.” The blade should stop in 3 seconds.

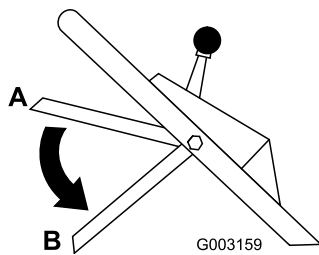


Figure 17

11. Immediately push the lawn mower over the newspaper ball.
12. Stop the engine and wait for all moving parts to stop.
13. Walk around the lawn mower to check for the newspaper ball. If the ball did not go under the deck, repeat steps 6 through 12.
14. Pull the lawn mower away from the newspaper. If the newspaper ball unravels or is shredded, the blade has not properly stopped, resulting in an unsafe operating condition. Contact an Authorized Service Dealer.

To check for a problem with the blade brake clutch system before it affects its normal operation, you can perform the Special Test that follows.

Special Test

1. Follow steps 1 through 7 from the Normal Test.
2. Move the blade control bar down to its lowest position (Position B in Figure 17).
3. Bring the blade control bar up into the middle position about 5 inches (12.7 cm) below the handle cross bar (Position C in Figure 18).

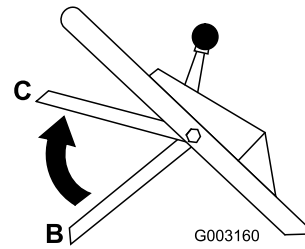


Figure 18

Note: This intermediate position (C) is not the normal operating position of the blade control bar. However, it helps to detect a sticking blade brake clutch system early enough to prevent an unsafe condition later.

4. Release the blade control bar (Position B in Figure 18).

Note: If you hear a loud “bang,” you have raised the blade control bar too high. Repeat steps 2 through 4 above, but do not raise the blade control bar as high as in step 3.

5. Immediately push the lawn mower over the newspaper ball.
6. Stop the engine and wait for all moving parts to stop.
7. Walk around the lawn mower to check for the newspaper ball. If the ball did not go under the deck:
 - A. Place the ball of newspaper 5 inches (12.7 cm) in front of the lawn mower (Figure 14).
 - B. Start the engine.
 - C. Follow steps 2 through 6 above.
8. Pull the lawn mower away from the newspaper. If the newspaper ball unravels or is shredded, the blade brake clutch system system could be deteriorating to the point where it could result in an unsafe operating condition. Contact an Authorized Service Dealer for an inspection and repair of your lawn mower.



If the blade brake clutch system is inoperative, the blade will continue to rotate when you release the blade control bar. Contact with blade could occur, causing serious injury.

- Check the blade brake clutch system operation before each use.
- Never use a lawn mower equipped with a blade brake clutch that has an inoperative safety system.
- Take your lawn mower to an Authorized Service Dealer for repair if the safety system fails to operate properly.

Test Using the Grass Bag

You can use the grass bag to perform an additional test to check the blade brake clutch mechanism:

1. Install the empty grass bag on the discharge tunnel.
2. Start the engine.
3. Push the blade control bar down to its lowest position.
4. Lift the blade control bar to the normal blade engaged position about one inch (2.5 cm) below the handle. The bag should begin to inflate, indicating that the blade is engaged and rotating.
5. Release the blade control bar. If the bag does not immediately deflate, it indicates that the blade is still rotating. The blade brake clutch may be deteriorating, and, if ignored, could result in an unsafe operating condition. Have the lawn mower inspected and serviced by an Authorized Service Dealer.

Adjusting the Cutting Height

Each wheel is adjusted individually with a wheel height adjustment lever. Cutting heights are 1 inch (25 mm), 1-1/2 inches (38 mm), 2 inches (51 mm), 2-1/2 inches (64 mm), 3 inches (76 mm), and 3-1/2 inches (89 mm).



Adjusting the cutting height levers could bring your hands into contact with a moving blade and result in serious injury.

- Stop the engine and wait for all movement to stop before adjusting the cutting height.
- Do not put your fingers under the housing when adjusting the cutting height.

1. Pull the wheel height adjustment lever toward the wheel (Figure 19) and move it to the desired setting.

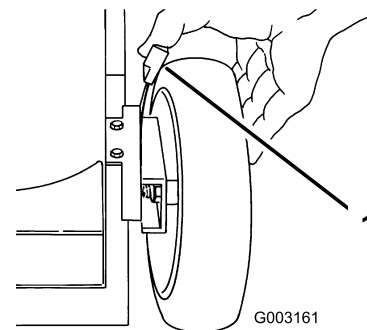


Figure 19

1. Wheel height adjustment lever
-
2. Release the wheel height adjustment lever and seat it securely in the notch.
 3. Adjust all the wheels to the same cutting height setting.

Using the Grass Bag

Occasionally, you may wish to use the grass bag for bagging extra long grass, lush grass, or leaves.

Installing the Grass Bag

1. Stop the engine and wait for all moving parts to stop.
2. Ensure that the discharge door handle is fully forward and that the pin is engaged in the catch (Figure 20).

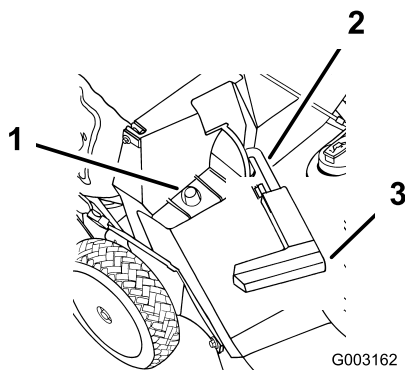


Figure 20

1. Bag frame on retaining post
2. Pin engaged in catch
3. Handle fully forward; discharge door closed

3. Slide the hole in the bag frame onto the retaining post on the discharge tunnel (Figure 20).
4. Set the rear of the bag frame onto the bag support rod.
5. Pull the discharge door handle forward until the pin clears the catch, and move the handle rearward until the pin locks in the bag notch (Figure 21).

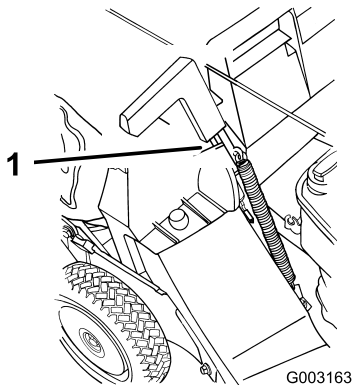


Figure 21

1. Pin locked in bag notch

Note: The discharge door in the lawn mower housing is now open.

Mowing with the Grass Bag



A worn grass bag could allow small stones and other similar debris to be thrown in the operator's or bystander's direction and result in serious personal injury or death to the operator or bystanders.

Check the grass bag frequently. If it is damaged, install a new Toro replacement bag.

Removing the Grass Bag

1. Stop the engine and wait for all moving parts to stop.
2. Raise the discharge door handle and move it forward to engage the pin with the catch (Figure 20).
3. Grasp the handles at the front and the rear of the bag and lift the bag off the lawn mower.
4. Gradually tip the bag forward to empty the clippings.
5. To install the bag, refer to Installing the Grass Bag.



If the discharge door does not close completely, the lawn mower could throw objects, causing serious personal injury or death.

If you cannot close the door because the grass clippings clog the discharge area, stop the engine and gently move the discharge door handle back and forth until you can close the door completely. If you still cannot close the door, remove the obstruction with a stick, not your hand.



The lawn mower can throw grass clippings and other objects through an open discharge tunnel. Objects thrown with enough force could cause serious personal injury or death to the operator or bystander.

Never open the door on the discharge tunnel when the engine is running.

Operating Tips

General Tips

- Review the safety instructions and read this manual carefully before operating the lawn mower.
- Clear the area of sticks, stones, wire, branches, and other debris that the blade could hit and throw.
- Keep everyone, especially children and pets, away from the area of operation.
- Avoid striking trees, walls, curbs, or other solid objects. Never deliberately mow over any object.
- If the lawn mower strikes an object or starts to vibrate, immediately stop the engine, disconnect the wire from the spark plug, and examine the lawn mower for damage.
- Maintain a sharp blade throughout the cutting season. Periodically file down nicks on the blade.
- Replace the blade when necessary with an original Toro replacement blade.
- Mow only dry grass or leaves. Wet grass and leaves tend to clump on the yard and can cause the lawn mower to plug or the engine to stall.



Wet grass or leaves can cause serious injury if you slip and contact the blade.

Mow only in dry conditions.

- Clean the underside of the lawn mower deck after each mowing. See Cleaning the Underside of the Lawn Mower Housing.
- Keep the engine in good running condition.
- Set the engine speed to the fastest position for the best cutting results.



Operating a lawn mower with its engine running at a speed greater than the factory setting can cause the lawn mower to throw a part of the blade or engine into the operator's or bystander's area and result in serious personal injury or death.

- **Do not change the engine speed setting.**
- **If you suspect the engine speed is faster than normal, contact an Authorized Service Dealer.**

- Clean the air filter frequently. Mulching stirs up more clippings and dust which clogs the air filter and reduces engine performance.

Cutting Grass

- Grass grows at different rates at different times of the year. In the summer heat, it is best to cut grass at the 2 inch (51 mm), 2-1/2 inch (64 mm), or 3 inch (76 mm) cutting height settings. Cut only about a third of the grass blade at a time. Do not cut below the 2 inch (51 mm) setting unless the grass is sparse or it is late fall when grass growth begins to slow down.
- When cutting grass over 6 inches (15 cm) tall, first mow at the highest cutting height setting and walk slower; then mow again at a lower setting for the best lawn appearance. If the grass is too long and the leaves clump on top of the lawn, the lawn mower may plug and cause the engine to stall.
- Alternate the mowing direction. This helps disperse the clippings over the lawn for even fertilization.

If the finished lawn appearance is unsatisfactory, try one or more of the following:

- Sharpen the blade.
- Walk at a slower pace while mowing.
- Raise the cutting height on your lawn mower.
- Cut the grass more frequently.
- Overlap cutting swaths instead of cutting a full swath with each pass.
- Set the cutting height on the front wheels one notch lower than the rear wheels. For example,

set the front wheels at 2 inches (51 mm) and the rear wheels at 2-1/2 inches (64 mm).

Cutting Leaves

- After cutting the lawn, ensure that half of the lawn shows through the cut leaf cover. You may need to make more than one pass over the leaves.
- For light leaf coverage, set all the wheels at the same cutting height setting.
- If there are more than 5 inches (12.7 cm) of leaves on the lawn, set the front cutting height 1 or 2 notches higher than the rear cutting height. This makes it easier to feed the leaves under the lawn mower deck.
- Slow down your mowing speed if the lawn mower does not cut the leaves finely enough.
- If you mow over oak leaves, you can add lime to the grass in the spring to reduce the acidity of the oak leaves.


Maintenance

Note: Determine the left and right sides of the machine from the normal operating position.

Recommended Maintenance Schedule(s)

| Maintenance Service Interval | Maintenance Procedure |
|-----------------------------------|-------------------------------------------------------------------------------------------------------------------------------------------------------------------------------------------------------------------------------------------------------------------------------------------------------------------------------|
| After the first 8 operating hours | <ul style="list-style-type: none"> • Change the engine oil. |
| Before each use or daily | <ul style="list-style-type: none"> • Check the engine oil level. • Check the operation of the blade brake clutch. • Inspect the mower blades for wear or damage. • Clean under the mower housing. |
| Every 25 hours | <ul style="list-style-type: none"> • Clean the foam pre-cleaner (more frequently in dusty conditions). |
| Every 50 hours | <ul style="list-style-type: none"> • Change the engine oil (more often in dusty conditions). • Clean the blade brake clutch shield. |
| Every 100 hours | <ul style="list-style-type: none"> • Lubricate the gear case. • Clean the paper air filter (more frequently in dusty conditions). • Change the engine oil and oil filter. • Check the spark plug. • Adjust the self-propel drive. • Adjust the blade brake cable. |
| Every 300 hours | <ul style="list-style-type: none"> • Replace the paper air filter (more frequently in dusty conditions). |
| Yearly | <ul style="list-style-type: none"> • Clean the fuel filter. |

Important: Refer to your Engine Operator’s Manual for additional maintenance procedures.



If you leave the wire on the spark plug, someone could accidentally start the engine and seriously injure you or other bystanders.

Disconnect the wire from the spark plug before you do any maintenance. Set the wire aside so that it does not accidentally contact the spark plug.

Lubrication

Lubricating the Pivot Arms

After every 50 operating hours or when the season ends, lubricate the pivot arms.

1. Move the rear wheel cutting height levers to the center setting.
2. Wipe the grease fittings with a clean rag (Figure 22).

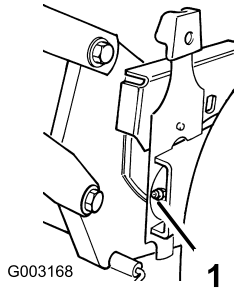


Figure 22

1. Grease fitting

3. Install a grease gun onto the fitting and gently apply 2 or 3 pumps of #2 multi-purpose lithium base grease.

Important: Excessive grease pressure may damage the seals.

Lubricating the Gear Case

After every 100 operating hours, grease the gear case.

1. Remove the grass bag.
2. Install a grease gun onto the fitting through the belt cover opening (Figure 23).

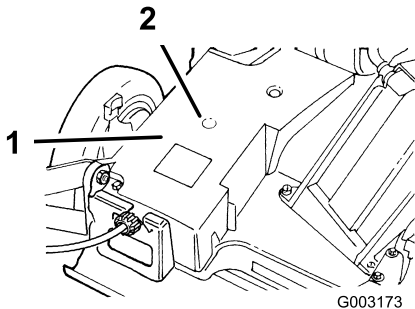


Figure 23

1. Belt cover
2. Grease fitting

3. Gently apply one to 2 pumps of #2 multi-purpose lithium-base grease.
4. Install the grass bag.

Engine Maintenance

Servicing the Air Filter

Clean the foam pre-cleaner every 25 operating hours. Clean the paper air filter every 100 operating hours. Replace the paper air filter once every season or every 300 operating hours; replace it more frequently in dusty conditions.

Important: Do not operate the engine without the air filter assembly; extreme engine damage will occur.

1. Stop the engine and wait for all moving parts to stop.
2. Disconnect the wire from the spark plug (Figure 12).
3. Remove the screw that secures the air cleaner cover (Figure 24).

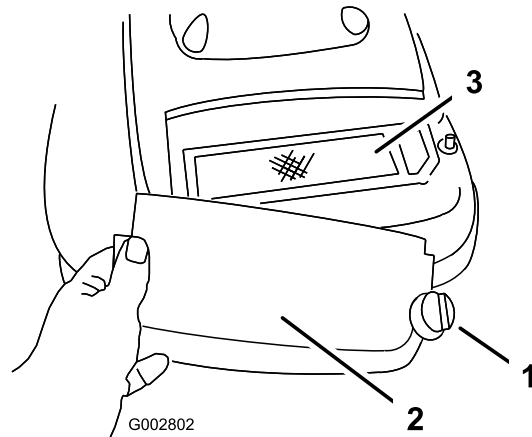


Figure 24

1. Screw
2. Cover
3. Paper air filter

4. Remove the cover and clean it thoroughly (Figure 24).
5. Remove the paper air filter and discard it (Figure 25).

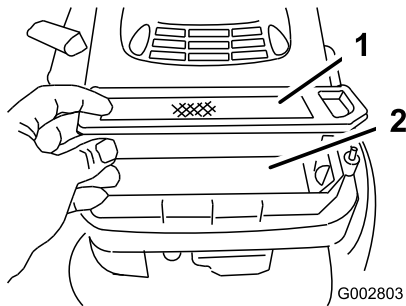


Figure 25

1. Paper air filter
2. Foam pre-cleaner

Important: Do not try to clean a paper filter.

6. Remove the foam pre-cleaner and wash it with a mild detergent and water, then blot it dry.
7. Saturate the pre-cleaner with oil, then squeeze it (do not twist) to remove the excess oil.
8. Install the foam pre-cleaner.
9. Install the new paper air filter.
10. Install the cover and secure it with the screw.

Changing the Engine Oil

Change the oil after the first 8 operating hours and then after every 50 operating hours or every season (more frequently in dusty or dirty conditions).

1. Run the engine to warm the engine oil.

Note: Warm oil flows better and carries more contaminants.



Oil may be hot after engine has been run, and contact with hot oil can cause severe personal injury.

Avoid contacting the hot engine oil when you drain it.

2. Stop the engine and wait for all moving parts to stop.
3. Disconnect the wire from the spark plug (Figure 12).
4. Place a suitable drain pan under the right side of the mower.
5. Remove the dipstick by rotating the cap counterclockwise and pulling it out.
6. Tip the mower onto its **right** side to drain the oil into the drain pan.

Note: You can also remove the oil from the crankcase using an oil extractor.

7. Return the mower to its operating position.
8. Insert the dipstick into the filler neck and rotate the cap clockwise until it is tight.
9. Recycle the used oil according to local codes.
10. Fill the crankcase to the Full line on the dipstick with fresh oil. Refer to the Filling the Crankcase with Oil.
11. Wipe up any spilled oil.

Changing the Oil Filter

Replace the oil filter (Figure 26) after every 100 operating hours or yearly, whichever comes first.

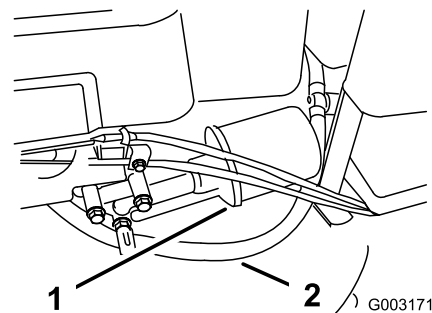


Figure 26

1. Oil filter
2. Fuel line

1. Run the engine to warm the oil.



Oil may be hot after the engine has been run, and contact with hot oil can cause severe personal injury.

Avoid contacting the hot engine oil when you drain it.

2. Stop the engine and wait for all moving parts to stop.
3. Disconnect the wire from the spark plug (Figure 12).
4. Drain the engine oil; refer to Changing the Engine Oil.
5. Place a rag under the oil filter to catch any oil that may leak out as you remove the filter.
6. Remove the oil filter.
7. Use your finger to coat the gasket on the new filter with oil (Figure 27).

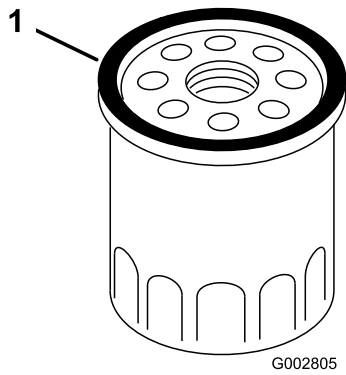


Figure 27

1. Gasket

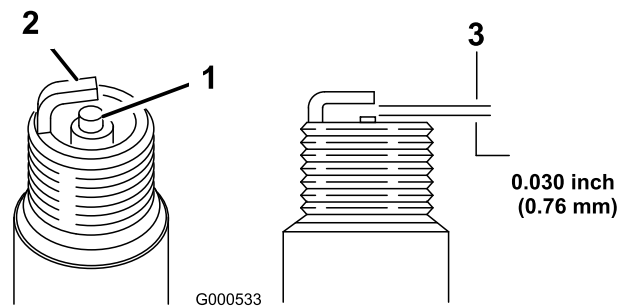


Figure 28

1. Center electrode insulator
2. Side electrode
3. Air gap (not to scale)

8. Install the new filter and hand tighten it 2/3 turn only.
9. Fill the crankcase to the Full line on the dipstick with fresh oil Refer to Filling the Crankcase with Oil.
10. Connect the wire to the spark plug.
11. Run the engine for about 3 minutes.
12. Stop the engine, wait for all moving parts to stop, and check for oil leakage around the filter.
13. Add oil to compensate for the oil in the oil filter. Refer to Checking the Engine Oil Level.
14. Recycle the used oil filter according to local codes.

Servicing the Spark Plug

Check the spark plug after every 100 operating hours. Use an **NGK BPR5ES** spark plug or equivalent.

1. Stop the engine and wait for all moving parts to stop.
2. Disconnect the wire from the spark plug (Figure 12).
3. Clean around the spark plug.
4. Remove the spark plug from the cylinder head.

Important: Replace a cracked, fouled, or dirty spark plug. Do not clean the electrodes because grit entering the cylinder can damage the engine.

5. Set the gap on the plug to 0.030 in. (0.76 mm) (Figure 28).

6. Install the spark plug and the gasket seal.
7. Torque the plug to 17 ft-lb (23 N·m).
8. Connect the wire to the spark plug.

Fuel System Maintenance

Emptying the Fuel Tank and Cleaning the Fuel Filter

The fuel filter (screen) element is located inside the fuel tank. Clean the fuel filter element yearly.

1. Stop the engine and wait for it to cool down.

Note: Drain gasoline from a cold engine only.

2. Disconnect the wire from the spark plug.
3. Disconnect the fuel line by loosening the tube clamp at the carburetor.
4. Open the fuel valve.
5. Drain the gasoline completely from the tank and fuel line into an approved fuel container.
6. Remove the fuel tank from the mower.
7. Pour a small amount of fuel in the fuel tank, move the fuel around in the tank, and pour it out into an approved fuel container.
8. Install the fuel tank and fuel line; refer to Installing the Fuel Tank and the Fuel Line.

Drive System Maintenance

Adjusting the Self-propel Drive

If the lawn mower does not self-propel or has a tendency to creep forward when the control bar is more than 1-1/2 inches (3.8 cm) from the handle, adjust the wheel drive control knob on the rear of the gear box.

1. Close the door in the lawn mower housing and remove the grass bag.
2. Rotate the control knob clockwise a half turn if the lawn mower does not self-propel. If the lawn mower creeps forward, rotate the knob a half turn counterclockwise to loosen the belt (Figure 29).

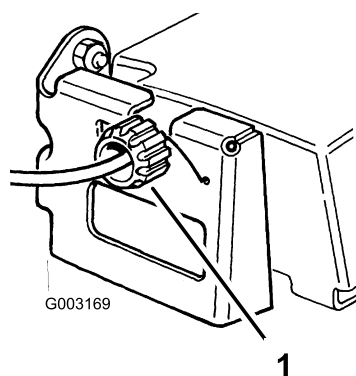


Figure 29

1. Control knob

3. Slowly pull the lawn mower backward while you gradually move the control bar toward the handle.

Note: The adjustment is correct when the rear wheels stop turning and the control bar is about one inch (2.5 cm) from the handle (Figure 30).

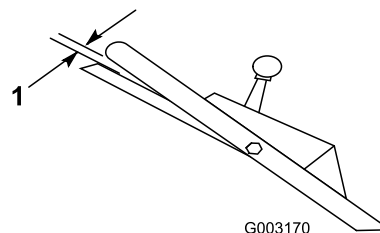


Figure 30

1. 1 inch (2.5 cm)

Servicing the Wheels

Removing the Wheels

1. Stop the engine and wait for all moving parts to stop.
2. Disconnect the wire from the spark plug (Figure 12).
3. Remove the bolt, the wheel spacer, and the locknut mounting the wheel to the pivot arm (Figure 31).

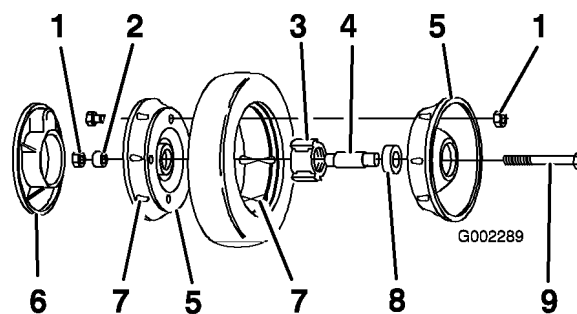


Figure 31

- | | |
|-------------------------|-------------------------------------|
| 1. Locknuts | 6. Plastic cover (rear wheels only) |
| 2. Wheel spacer | 7. Lug |
| 3. Bearing/hub assembly | 8. Bearing (2) |
| 4. Bearing spacer | 9. Bolt |
| 5. Wheel half | |

4. Separate the wheel halves from the tire by removing 4 cap screws and 4 locknuts (Figure 31).

Note: If you remove the bearings from the bearing/hub assembly, remove them by pressing on the bearing spacer (Figure 31).

Assembling the Wheels

1. Position the tire onto one wheel half, aligning the lugs on each (Figure 31).
2. Place the bearing/hub assembly into the center hole of the wheel half. Ensure that the legs of

the hub are positioned over the flange of the hole (Figure 31).

- Place the other wheel half onto the bearing/hub assembly, aligning the wheel and the tire lugs and the mounting holes (Figure 31).
- Using 2 fully threaded screws or bolts (1/4-20 x 1.50 inch) and non-locking nuts, loosely secure the wheel halves together. Mount the screws or bolts in the opposing holes (Figure 31).
- Check the alignment of all parts and tighten the screws, alternating from side to side for a uniform fit, until the wheel halves are drawn together (Figure 31).
- Install the 2 bolts and 2 locknuts previously removed in the remaining holes in the wheel halves and tighten. Remove the 2 long screws or bolts and replace them with 2 bolts and 2 locknuts (Figure 31).
- Install the wheel to the pivot arm with the bolts, a spacer, and a locknut. Ensure that the spacer is positioned between the wheel hub and the pivot arm (Figure 31).

Controls System Maintenance

Adjusting the Blade Brake Cable

Whenever you install a new blade brake cable assembly or replace the belt, adjust the blade brake cable.

- Stop the engine and wait for all moving parts to stop.
- Disconnect the wire from the spark plug (Figure 12).
- Loosen the cable clamp screw until the brake cable conduit slides (Figure 32).

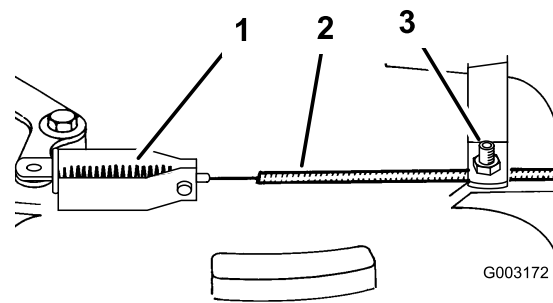


Figure 32

- Spring
- Cable conduit
- Cable clamp screw

- Pull the cable to the remove slack, but do not put tension on the spring. Tighten the cable clamp screw to lock the adjustment in place.



Do not overtighten the blade brake cable. Overtightening the blade brake cable could cause the blade brake to come off of the brake drum. If the brake does not contact the drum, the blade will not stop rotating when you release the control bar. A rotating blade could cause serious personal injury.

- Each time you adjust the brake cable, ensure that the brake stops the blade in 3 seconds or less.
- If the blade does not stop rotating in 3 seconds or less, bring the lawn mower to an Authorized Service Dealer for inspection and repair.

Blade Maintenance

Maintaining the Cutting Blade

Always mow with a sharp blade. A sharp blade cuts cleanly and without tearing or shredding the grass blades.

- Stop the engine and wait for all moving parts to stop.
- Disconnect the wire from the spark plug (Figure 12).

3. Drain the gasoline from the fuel tank; refer to Emptying the Fuel Tank and Cleaning the Fuel Filter.
4. Tip the lawn mower onto its **right** side (Figure 33).

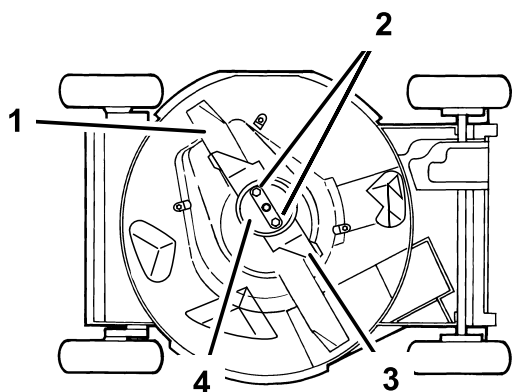


Figure 33

- | | |
|---------------|-------------------|
| 1. Blade | 3. Accelerator |
| 2. Blade nuts | 4. Anti-scalp cup |

Inspecting the Blade

Carefully examine the blade for sharpness and wear, especially where the flat and the curved parts meet (Figure 34A). Because sand and abrasive material can wear away the metal that connects the flat and curved parts of the blade, check the blade before using the lawn mower. If you notice a slot or wear (Figure 34B and Figure 34C), replace the blade; refer to Removing the Blade.

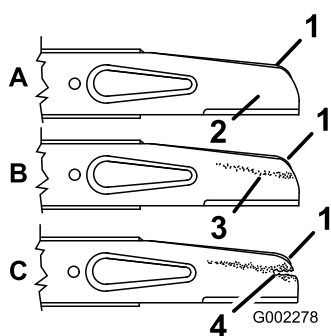


Figure 34

- | | |
|---------------------------|----------------|
| 1. Sail | 3. Wear |
| 2. Flat part of the blade | 4. Slot formed |

Note: For the best performance, install a new blade before the cutting season begins. During the year, file down any small nicks to maintain the cutting edge.



A worn or damaged blade can break, and a piece of the blade could be thrown into the operator's or bystander's area, resulting in serious personal injury or death.

- Inspect the blade periodically for wear or damage.
- Replace a worn or damaged blade.

Removing the Blade

Grasp the end of the blade using a rag or a thickly padded glove. Remove the blade nuts, the anti-scalp cup, the accelerator, and the blade (Figure 33).

Sharpening the Blade

File the top side of the blade to maintain its original cutting angle (Figure 35A) and inner cutting edge radius (Figure 35B). The blade will remain balanced if you remove the same amount of material from both cutting edges.

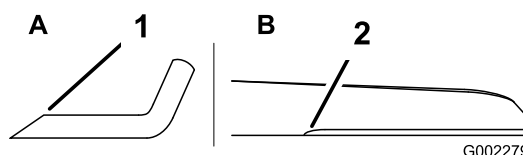


Figure 35

1. Sharpen at this angle only.
2. Maintain the original radius here.

Balancing the Blade

1. Check the balance of the blade by placing the center hole of the blade over a nail or screwdriver shank clamped horizontally in a vise (Figure 36).

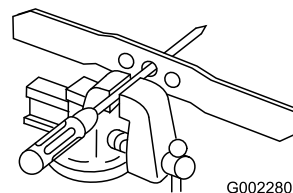


Figure 36

Note: You can also check the balance using a commercially manufactured blade balancer.

2. If either end of the blade rotates downward, file that end (not the cutting edge or the end near the cutting edge). The blade is properly balanced when neither end drops.

Installing the Blade

1. Install a sharp, balanced Toro blade, the accelerator, the anti-scalp cup, and the blade nuts. The sail of the blade must point toward the top of the lawn mower housing for proper installation. Torque the blade nuts to 15 to 27 ft-lb (20 to 37 Nm).



Operating the lawn mower without the accelerator in place can cause the blade to flex, bend, or break, resulting in serious injury or death to the operator or bystanders.

Do not operate the lawn mower without the accelerator.

2. Return the lawn mower to its upright position.
3. Connect the wire to the spark plug.

Cleaning

Cleaning under the Mower Housing

To ensure the best performance, keep the underside of the mower housing clean.

Washing Method

1. Position the mower on a flat concrete or asphalt surface near a garden hose.
2. Start the engine.
3. Hold the running garden hose at handle level and direct the water to flow on the ground just in front of the right rear tire (Figure 37).

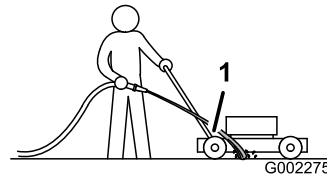


Figure 37

1. Right rear wheel

Note: The blade will draw in water and wash out clippings. Let the water run until you no longer see clippings being washed out from under the housing.

4. Stop the engine and wait for all moving parts to stop.
5. Turn off the garden hose.
6. Start the mower and let it run for a few minutes to dry out the moisture on the mower and its components.

Scraping Method

If washing does not remove all debris from under the mower, scrape it clean.

1. Disconnect the wire from the spark plug (Figure 12).
2. Drain the fuel from the fuel tank. Refer to Emptying the Fuel Tank and Cleaning the Fuel Filter.



Tipping the mower may cause the fuel to leak from the carburetor or the fuel tank. Gasoline is extremely flammable, highly explosive, and, under certain conditions, can cause personal injury or property damage.

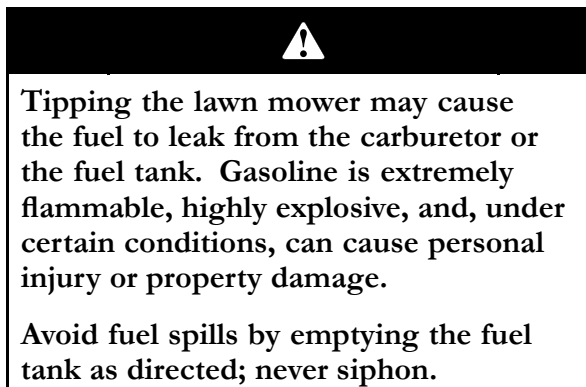
Avoid fuel spills by running the engine dry or by removing the gasoline with a hand pump; never siphon.

3. Tip the mower onto its **right** side.
4. Remove the dirt and grass clippings with a hardwood scraper. Avoid burrs and sharp edges.
5. Return the mower to its operating position.
6. Fill the fuel tank.
7. Connect the wire to the spark plug.

Cleaning the Blade Brake Clutch Shield

Clean the blade brake clutch shield at the end of each mowing season to ensure the best performance and to prevent parts from degrading. Clean the blade brake clutch shield when you sharpen the blade because you need to remove the blade in order to remove the blade brake clutch shield.

1. Stop the engine and wait for all moving parts to stop.
2. Disconnect the wire from the spark plug (Figure 12).
3. Drain the gasoline from the fuel tank; refer to Emptying the Fuel Tank and Cleaning the Fuel Filter.
4. Tip the lawn mower on its **right** side.



5. Remove 2 blade nuts, the anti-scalp cup, the accelerator, and the blade (Figure 33).
6. Loosen the tabs that secure the blade brake clutch shield to the deck by loosening the nuts or the bolts on the tabs (Figure 38). Rotate the tabs 180° to move them out of the way.

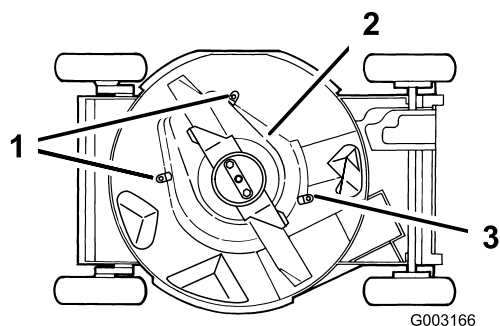


Figure 38

1. Tabs and nuts
2. Blade brake clutch shield
3. Tab and bolt

7. Remove the blade brake clutch shield and brush or blow all the debris from under the shield and around the blade brake clutch system.
8. Install the blade brake clutch shield. Rotate the tabs 180° back into position. Tighten the nuts or the bolts on tabs to secure the blade brake clutch shield to the deck.
9. Install the blade, the accelerator, the anti-scalp cup, and the 2 blade nuts.
10. Turn the lawn mower upright.
11. Connect the wire to the spark plug.

Storage

To prepare the mower for off-season storage, perform the recommended maintenance procedures. Refer to Maintenance.

Store the mower in a cool, clean, dry place. Cover the mower to keep it clean and protected.

Preparing the Fuel System



Gasoline can vaporize if you store it over long periods of time and explode if it comes into contact with an open flame.

- **Do not store gasoline over long periods of time.**
- **Do not store the mower with gasoline in the fuel tank or the carburetor in an enclosure with an open flame. (For example, a furnace or a water heater pilot light.)**
- **Allow the engine to cool before storing it in any enclosure.**

Empty the fuel tank when mowing the last time before storing the mower.

1. Run the mower until the engine stops from running out of fuel.
2. Prime the engine and start it again.
3. Allow the engine to run until it stops. When you can no longer start the engine, it is sufficiently dry.

Preparing the Engine

1. While the engine is still warm, change the oil from the crankcase. Refer to Changing the Engine Oil.
2. Remove the spark plug.
3. Using an oil can, add about one tablespoon of oil to the crankcase through the spark plug hole.
4. Slowly rotate the engine several times, using the starter rope, to distribute the oil.
5. Install the spark plug but do not connect the wire to the spark plug.

General Information

1. Clean the mower housing. Refer to Cleaning under the Mower Housing.
2. Clean any dirt and chaff from the cylinder, cylinder head fins, and blower housing.
3. Remove grass clippings, dirt, and grime from the external parts of the engine, the shrouding, and the top of the mower housing.
4. Check the condition of the blade. Refer to Maintaining the Cutting Blade.
5. Clean the blade brake clutch shield; refer to Cleaning the Blade Brake Clutch Shield.
6. Service the air filter; refer to Servicing the Air Filter.
7. Lubricate the pivot arms; refer to Lubricating the Pivot Arms.
8. Tighten all nuts, bolts, and screws.
9. Touch up all rusted or chipped paint surfaces with paint available from an Authorized Service Dealer.

Removing the Lawn Mower from Storage

1. Check and tighten all fasteners.
2. Remove the spark plug and spin the engine rapidly using the starter to blow excess oil from the cylinder.
3. Clean the spark plug or replace it if it is cracked, broken, or if the electrodes are worn.
4. Install the spark plug and torque it to 17 ft-lb (23 N·m).
5. Perform any needed maintenance procedures; refer to Maintenance.
6. Fill the fuel in the fuel tank with fresh gasoline.
7. Check the engine oil level.
8. Connect the wire to the spark plug.

Troubleshooting

| Problem | Possible Cause | Corrective Action |
|-----------------------------------|---------------------------------------------------------------------------------------------------------------------------------------------------------------------------------------------------------------------------------------------------------------------------------------------------------------------------------------------------------------------------------------------------------------------------------------|-----------------------------------------------------------------------------------------------------------------------------------------------------------------------------------------------------------------------------------------------------------------------------------------------------------------------------------------------------------------------------------------------------------------------------------------------------------------------------------------------------------------------------|
| Engine does not start | <ol style="list-style-type: none"> 1. The fuel tank is empty or the fuel system contains stale fuel. 2. The throttle lever is not in the Choke position. 3. The wire is not connected to the spark plug. 4. The spark plug is pitted, fouled, or the gap is incorrect. | <ol style="list-style-type: none"> 1. Drain and/or fill the fuel tank with fresh gasoline. If the problem persists, contact an Authorized Service Dealer. 2. Move the throttle lever to the Choke position. 3. Connect the wire to the spark plug. 4. Check the spark plug and adjust the gap if necessary. Replace the spark plug if it is pitted, fouled, or cracked. |
| Engine starts hard or loses power | <ol style="list-style-type: none"> 1. The fuel tank contains stale fuel. 2. The fuel cap vent hole is plugged. 3. The air filter element is dirty and is restricting the air flow. 4. The underside of the mower housing contains clippings and debris. 5. The spark plug is pitted, fouled, or the gap is incorrect. 6. The engine oil level is low or the oil is dirty. | <ol style="list-style-type: none"> 1. Drain and fill the fuel tank with fresh gasoline. 2. Clean the fuel cap vent hole or replace the fuel cap. 3. Clean the air filter pre-cleaner and/or replace the paper air filter. 4. Clean under the mower housing. 5. Check the spark plug and adjust the gap if necessary. Replace the spark plug if it is pitted, fouled, or cracked. 6. Check the engine oil. Change the oil if it is dirty or add oil if it is low |

| Problem | Possible Cause | Corrective Action |
|-------------------------------------------|-------------------------------------------------------------------------------------------------------------------------------------------------------------------------------------------------------------------------------------------------------------------------------------------------------------------|--------------------------------------------------------------------------------------------------------------------------------------------------------------------------------------------------------------------------------------------------------------------------------------------------------------------------------------------------------------------|
| Engine runs rough | <ol style="list-style-type: none"> 1. The wire is not connected to the spark plug. 2. The spark plug is pitted, fouled, or the gap is incorrect. 3. The throttle lever is not in the Fast position. 4. The air filter element is dirty and is restricting the air flow. | <ol style="list-style-type: none"> 1. Connect the wire to the spark plug. 2. Check the spark plug and adjust the gap if necessary. Replace the spark plug if it is pitted, fouled, or cracked. 3. Move the throttle lever to the Fast position. 4. Clean the air filter pre-cleaner and/or replace the paper air filter. |
| Lawn mower or engine vibrates excessively | <ol style="list-style-type: none"> 1. The blade is bent or is out of balance. 2. The blade mounting nuts are loose. 3. The underside of the mower housing contains clippings and debris. 4. The engine mounting bolts are loose. | <ol style="list-style-type: none"> 1. Balance the blade. If the blade is bent, replace it. 2. Tighten the blade mounting nuts. 3. Clean under the mower housing. 4. Tighten the engine mounting bolts. |
| Uneven cutting pattern | <ol style="list-style-type: none"> 1. All 4 wheels are not at the same height. 2. The blade is dull. 3. You are mowing in the same pattern repeatedly. 4. The underside of the mower housing contains clippings and debris. | <ol style="list-style-type: none"> 1. Place all 4 wheels at the same height. 2. Sharpen and balance the blade. 3. Change the mowing pattern. 4. Clean under the mower housing. |
| Mower does not self-propel | <ol style="list-style-type: none"> 1. The self-propel drive cable is out of adjustment or is damaged. 2. There is debris under the belt cover. | <ol style="list-style-type: none"> 1. Adjust the self-propel drive cable. Replace the cable if necessary. 2. Clean the debris from under the belt cover. |

International Distributor List—Consumer Products

| Distributor: | Country: | Phone Number: |
|-------------------------------------|----------------------------|----------------------|
| Atlantis Su ve Sulama Sistemleri Lt | Turkey | 90 216 344 86 74 |
| Balama Prima Engineering Equip | Hong Kong | 852 2155 2163 |
| B-Ray Corporation | Korea | 82 32 551 2076 |
| Casco Sales Company | Puerto Rico | 787 788 8383 |
| Ceres S.A | Costa Rica | 506 239 1138 |
| CSSC Turf Equipment (pvt) Ltd | Sri Lanka | 94 11 2746100 |
| Cyril Johnston & Co | Nothern Ireland | 44 2890 813 121 |
| Equivier | Mexico | 52 55 539 95444 |
| Femco S.A. | Guatemala | 502 442 3277 |
| G.Y.K. Company Ltd. | Japan | 81 726 325 861 |
| Geomechaniki of Athens | Greece | 30 10 935 0054 |
| Guandong Golden Star | China | 86 20 876 51338 |
| Hako Gorund and Garden | Sweden | 46 35 10 0000 |
| Hydroturf Int. Co | Dubai United Arab Emirates | 97 14 347 9479 |
| Hydroturf Egypt LLC | Egypt | 202 519 4308 |
| Ibea S.p.A. | Italy | 39 0331 853611 |
| Irriamc | Portugal | 351 21 238 8260 |
| Jean Heybroek b.v. | Netherlands | 31 30 639 4611 |
| Lely (U.K.) Limited | United Kingdom | 44 1480 226 800 |
| Maquiver S.A. | Colombia | 57 1 236 4079 |
| Maruyama Mfg. Co. Inc. | Japan | 81 3 3252 2285 |
| Metra Kft | Hungary | 36 1 326 3880 |
| Mountfield a.s. | Czech Republic | 420 255 704 220 |
| Munditol S.A. | Argentina | 54 11 4 821 9999 |
| Oslinger Turf Equipment SA | Ecuador | 593 4 239 6970 |
| Oy Hako Ground and Garden Ab | Finland | 358 987 00733 |
| Parkland Products Ltd | New Zealand | 64 3 34 93760 |
| Prochaska & Cie | Austria | 43 1 278 5100 |
| RT Cohen 2004 Ltd | Israel | 972 986 17979 |
| Riversa | Spain | 34 9 52 83 7500 |
| Roth Motorgerate GmBh & Co | Germany | 49 7144 2050 |
| Sc Svend Carlsen A/S | Denmark | 45 66 109 200 |
| Solvert S.A.S | France | 33 1 30 81 77 00 |
| Spypros Stavrinides Limited | Cyprus | 357 22 434131 |
| Surge Systems India Limited | India | 91 1 292299901 |
| T-Markt Logistics Ltd | Hungary | 36 26 525 500 |
| Toro Australia | Australia | 61 3 9580 7355 |
| Toro Europe BVBA | Belgium | 32 14 562 960 |



The Toro Warranty

Conditions and Products Covered

The Toro® Company and its affiliate, Toro Warranty Company, pursuant to an agreement between them, jointly promises to the original purchaser* to repair any Toro Product used for normal residential purposes* if defective in materials or workmanship. The following time periods apply from the date of original purchase:

| Products | Warranty Period |
|-----------------------------|-------------------------|
| Walk Power Mowers | 2-year limited warranty |
| Rear Engine Riders | 2-year limited warranty |
| Lawn & Garden Tractors | 2-year limited warranty |
| Electric Hand Held Products | 2-year limited warranty |
| Snowthrowers | 2-year limited warranty |
| Consumer Zero Turn | 2-year limited warranty |

* "Original purchaser" means use the person who originally purchased Toro products.

* "Normal residential purposes" means use of the product on the same lot as your home. Use at more than one location is considered commercial use, and the commercial use warranty would apply.

Limited Warranty for Commercial Use

Toro Consumer Products and attachments used for commercial, institutional, or rental use are warranted against defects in materials or workmanship for the following time periods from the date of original purchase:

| Products | Warranty Period |
|-----------------------------|-----------------|
| Walk Power Mowers | 90 day warranty |
| Rear Engine Riders | 90 day warranty |
| Lawn & Garden Tractors | 90 day warranty |
| Electric Hand Held Products | 90 day warranty |
| Snowthrowers | 90 day warranty |
| Consumer Zero Turn | 45 day warranty |

Instructions for Obtaining Warranty Service

If you think that your Toro Product contains a defect in materials or workmanship, follow this procedure:

1. Contact your seller to arrange service of the product. If for any reason it is impossible for you to contact your seller, you may contact any Toro Authorized Distributor to arrange service.
2. Bring the product and your proof of purchase (sales receipt) to your seller or the Service Dealer.

If for any reason you are dissatisfied with the Service Dealer's analysis or with the assistance provided, contact the Toro importer or contact us at:

Customer Care Department, Consumer Division
Toro Warranty Company
8111 Lyndale Avenue South
Bloomington, MN 55420-1196
Manager: Technical Product Support: 001-952-887-8248

See attached Distributor List

Owner Responsibilities

You must maintain your Toro Product by following the maintenance procedures described in the operator's manual. Such routine maintenance, whether performed by a dealer or by you, is at your expense.

Items and Conditions Not Covered

This express warranty does not cover:

- Cost of regular maintenance service or parts, such as filters, fuel, lubricants, tune-up parts, blade sharpening, brake and clutch adjustments.
- Any product or part which has been altered or misused or required replacement or repair due to normal wear, accidents, or lack of proper maintenance.
- Repairs necessary due to improper fuel, contaminants in the fuel system, or failure to properly prepare the fuel system prior to any period of non-use over three months.
- Engine and transmission. These are covered by the appropriate manufacturer's guarantees with separate terms and conditions.

All repairs covered by this warranty must be performed by an Authorized Toro Service Dealer using Toro approved replacement parts.

General Conditions

The purchaser is covered by the national laws of each country. The rights to which the purchaser is entitled with the support of these laws are not restricted by this warranty.